



U.S. Department
of Transportation
**Federal Highway
Administration**

October 19, 2009

1200 New Jersey Avenue, SE
Washington, D.C. 20590

In Reply Refer To:
HSSD/WZ-216

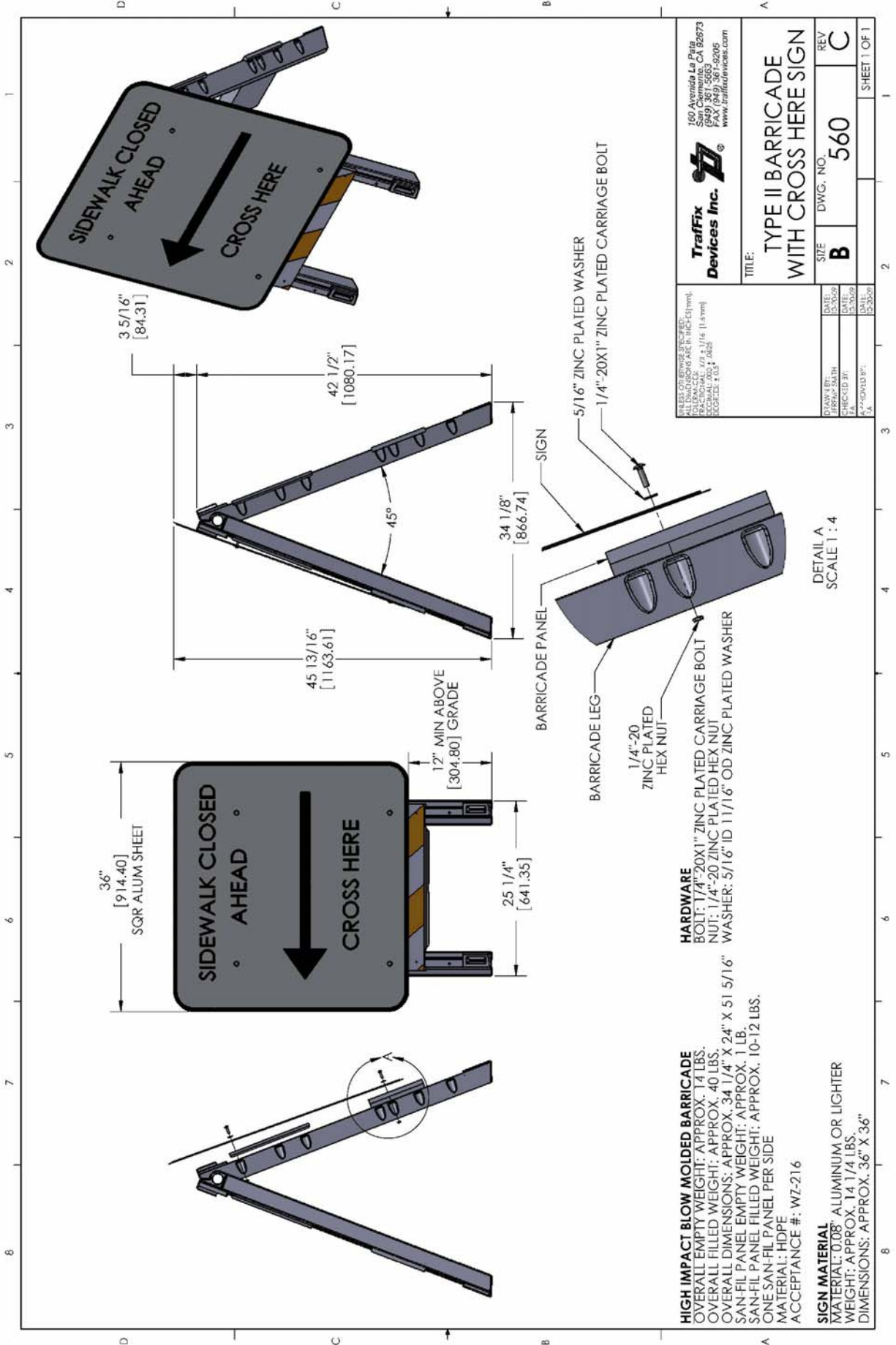
This addendum updates the FHWA Acceptance letter WZ-216 to include a description and detail drawings of acceptable applications of Traffix Devices Economy Plastic 36000 Series with two san-fil panels and other standard equivalent Type I and Type II folding barricades (Series 35000, 37000, and 39000).

Each barricade may be used with one 30-inch wide by 24-inch tall, or one 36-inch square aluminum sign panel made of .08-inch solid aluminum or lighter substrate of same size, with attachment hardware as located and specified in the enclosed drawings.

The sign panel must be attached to the barricade framing with a set of two bolts and fender washers. The aluminum signs should not be rotated and attached in a diamond configuration. The sign panel configurations described above are a less severe configuration than what Traffix has previously tested and documented in WZ-216. Therefore, this configuration will not adversely affect the crashworthy performance of the Type I or Type II barricades described above and it is acceptable for use on the National Highway System (NHS).

Enclosures





Traffix Devices Inc.
 160 Avenida Le Papp
 San Clemente, CA 92673
 (949) 361-5650 ext. 2005
 Fax: (949) 361-5650 ext. 2006
 www.traffixdevices.com

TYPE II BARRICADE WITH CROSS HERE SIGN

SIZE	DWG. NO.	REV
B	560	C

TITLE: TYPE II BARRICADE WITH CROSS HERE SIGN
 SHEET 1 OF 1

PLEASE USE THE FOLLOWING DIMENSIONS FOR ALL DIMENSIONS ARE IN INCHES (mm).

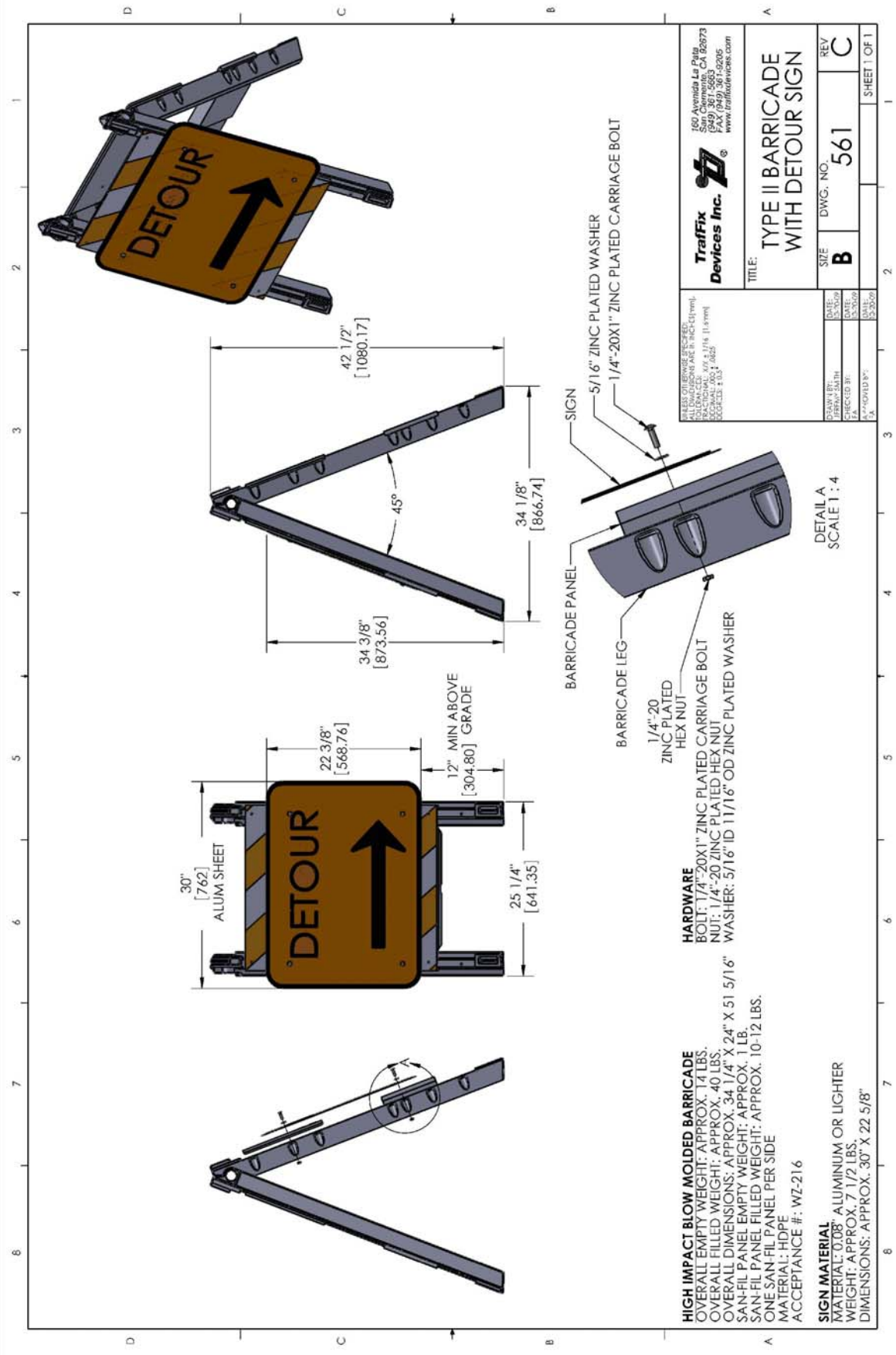
DATE:	DATE:
DESIGNED BY:	DATE:
CHECKED BY:	DATE:
APPROVED BY:	DATE:

HIGH IMPACT BLOW MOLDED BARRICADE
 OVERALL EMPTY WEIGHT: APPROX. 14 LBS.
 OVERALL FILLED WEIGHT: APPROX. 40 LBS.
 OVERALL DIMENSIONS: APPROX. 34 1/4" X 24" X 51 5/16"
 SAN-FIL PANEL EMPTY WEIGHT: APPROX. 1 LB.
 ONE SAN-FIL PANEL PER SIDE
 MATERIAL: HDPE
 ACCEPTANCE #: WZ-216

SIGN MATERIAL
 MATERIAL: 0.08" ALUMINUM OR LIGHTER
 WEIGHT: APPROX. 14 1/4 LBS.
 DIMENSIONS: APPROX. 36" X 36"

HARDWARE
 BOLT: 1/4"-20X1" ZINC PLATED CARRIAGE BOLT
 NUT: 1/4"-20 ZINC PLATED HEX NUT
 WASHER: 5/16" ID 1 1/16" OD ZINC PLATED WASHER

DETAIL A
 SCALE 1 : 4



Traffix Devices Inc.
 301 Avenida La Pail
 Redwood City, CA 94063
 (949) 361-5563
 FAX: (949) 361-9205
 www.traffixdevices.com

TITLE: TYPE II BARRICADE WITH DETOUR SIGN

SIZE	DWG. NO.	REV
B	561	C

FILES OR REVISED: 03/15/09
DESIGNED BY: JEREMY BATH
CHECKED BY: T.A.
DATE: 03/20/09
SCALE: 1:4
DATE: 03/20/09

HIGH IMPACT BLOW MOLDED BARRICADE
 OVERALL EMPTY WEIGHT: APPROX. 14 LBS.
 OVERALL FILLED WEIGHT: APPROX. 40 LBS.
 OVERALL DIMENSIONS: APPROX. 34 1/4" X 24" X 51 5/16"
 SAN-FIL PANEL EMPTY WEIGHT: APPROX. 1 LB.
 SAN-FIL PANEL FILLED WEIGHT: APPROX. 10-12 LBS.
 MATERIAL: HDPE
 ACCEPTANCE #: WZ-216

SIGN MATERIAL: ALUMINUM OR LIGHTER
 WEIGHT: APPROX. 7 1/2 LBS.
 DIMENSIONS: APPROX. 30" X 22 5/8"

HARDWARE
 BOLT: 1/4"-20X1" ZINC PLATED CARRIAGE BOLT
 NUT: 1/4"-20 ZINC PLATED HEX NUT
 WASHER: 5/16" ID 1 1/16" OD ZINC PLATED WASHER

DETAIL A
 SCALE 1 : 4