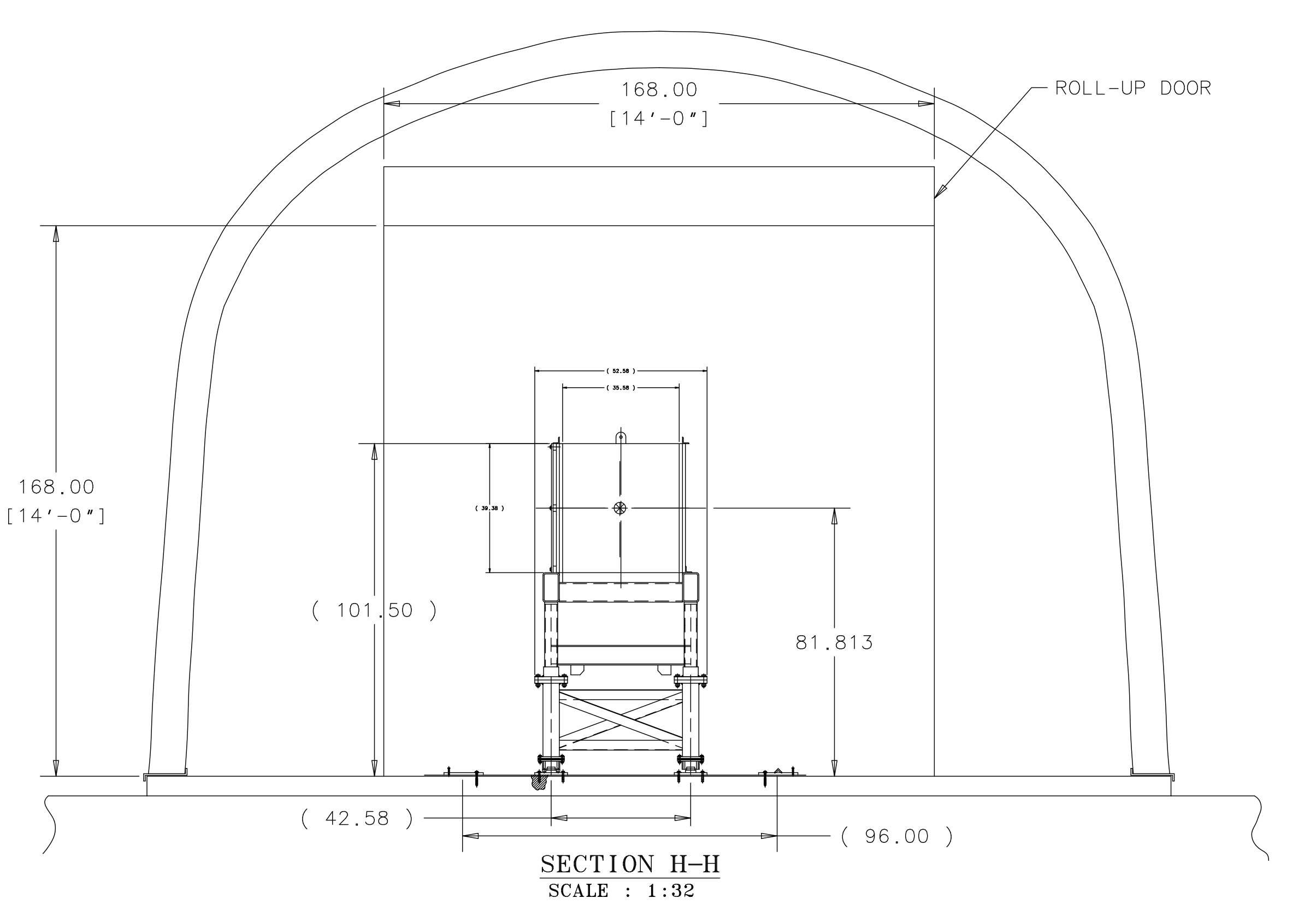
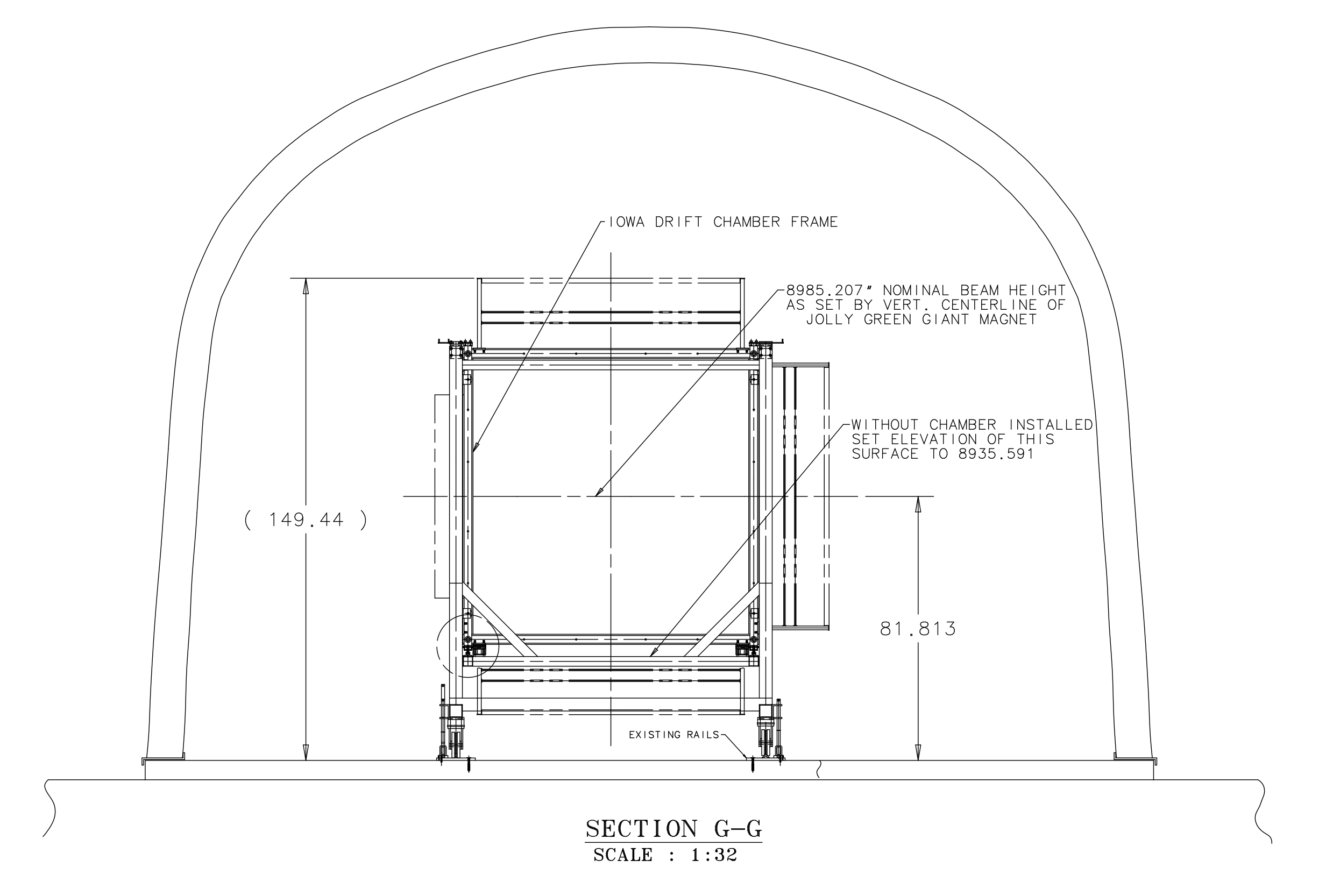
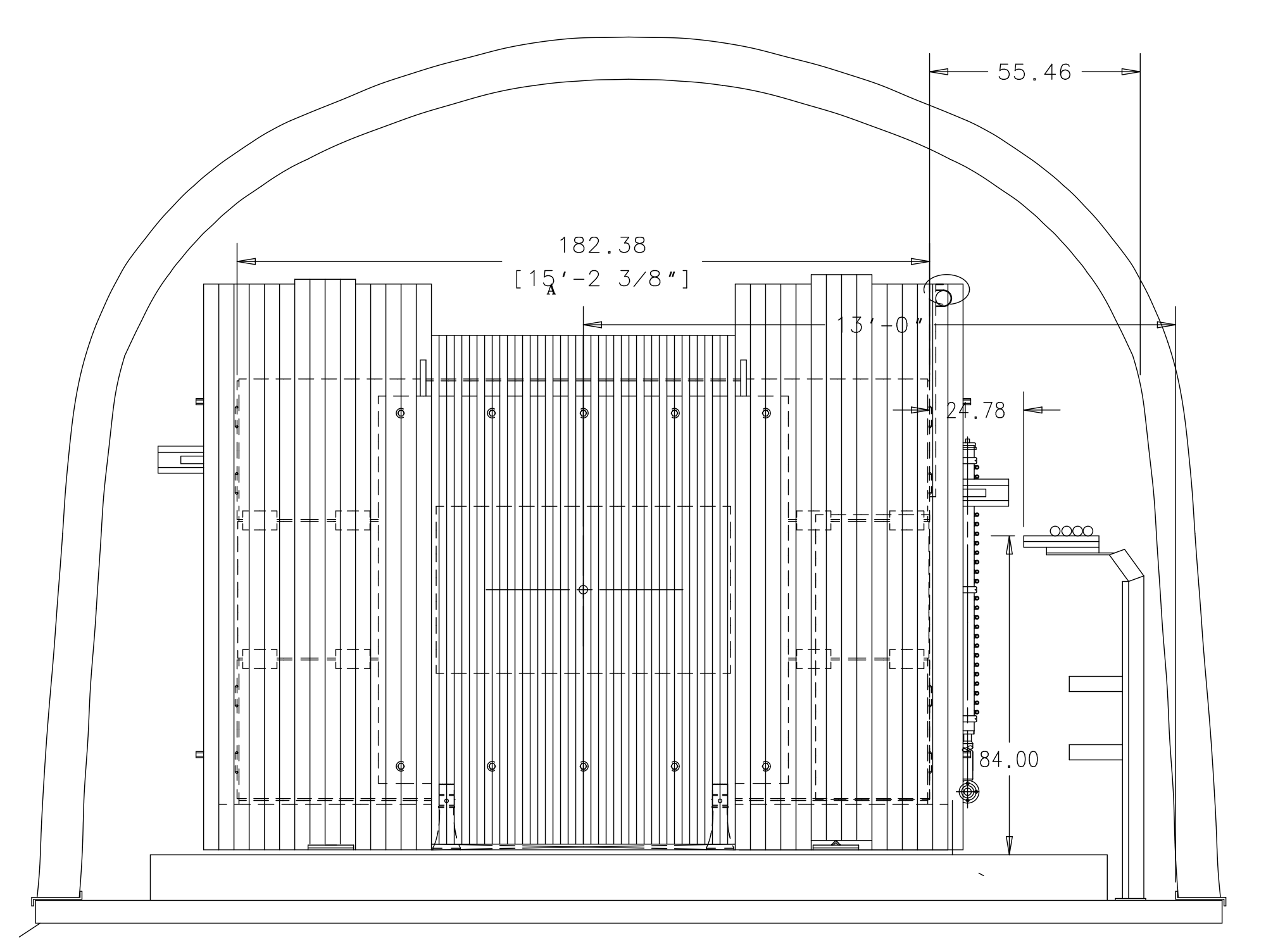
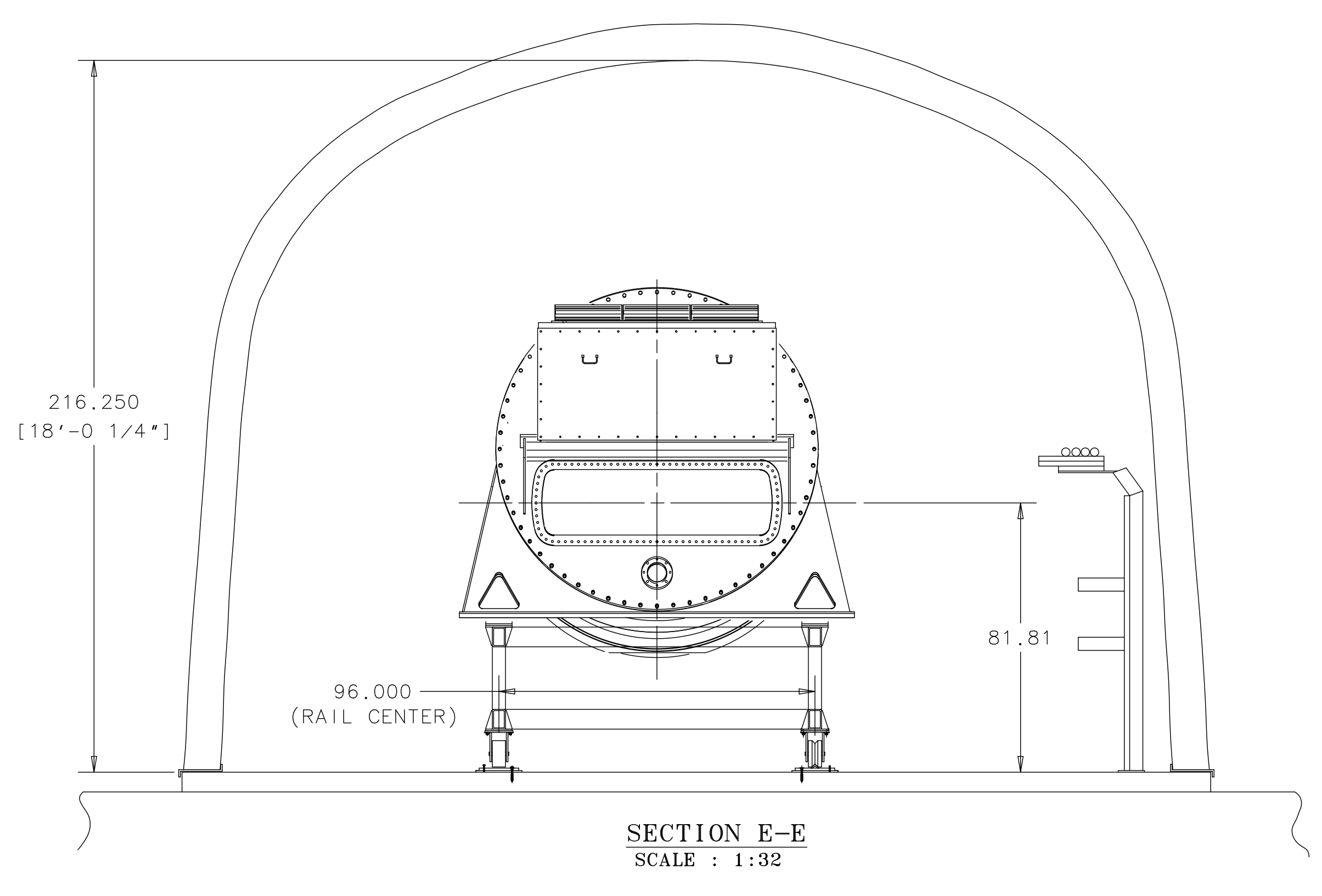
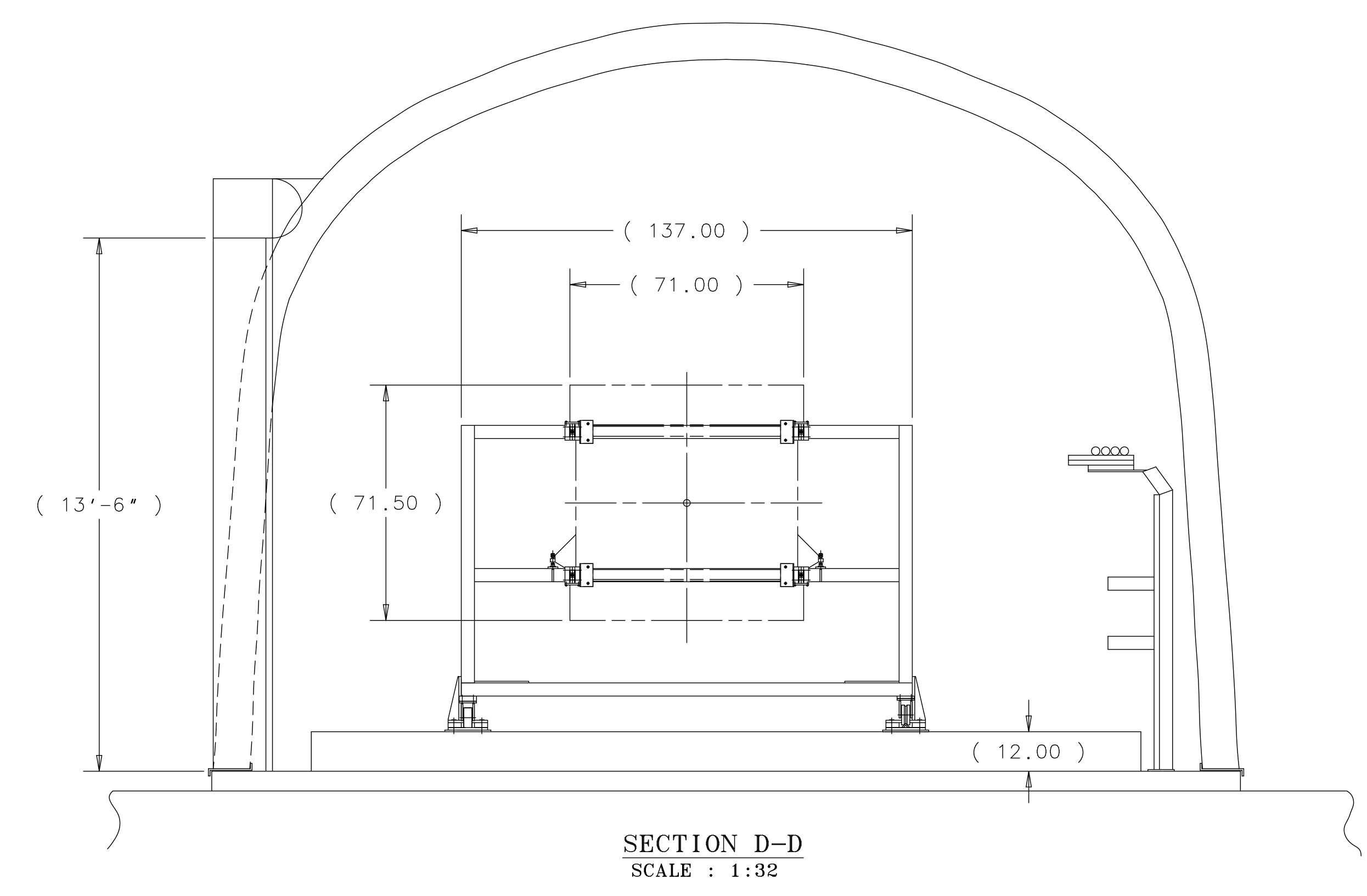
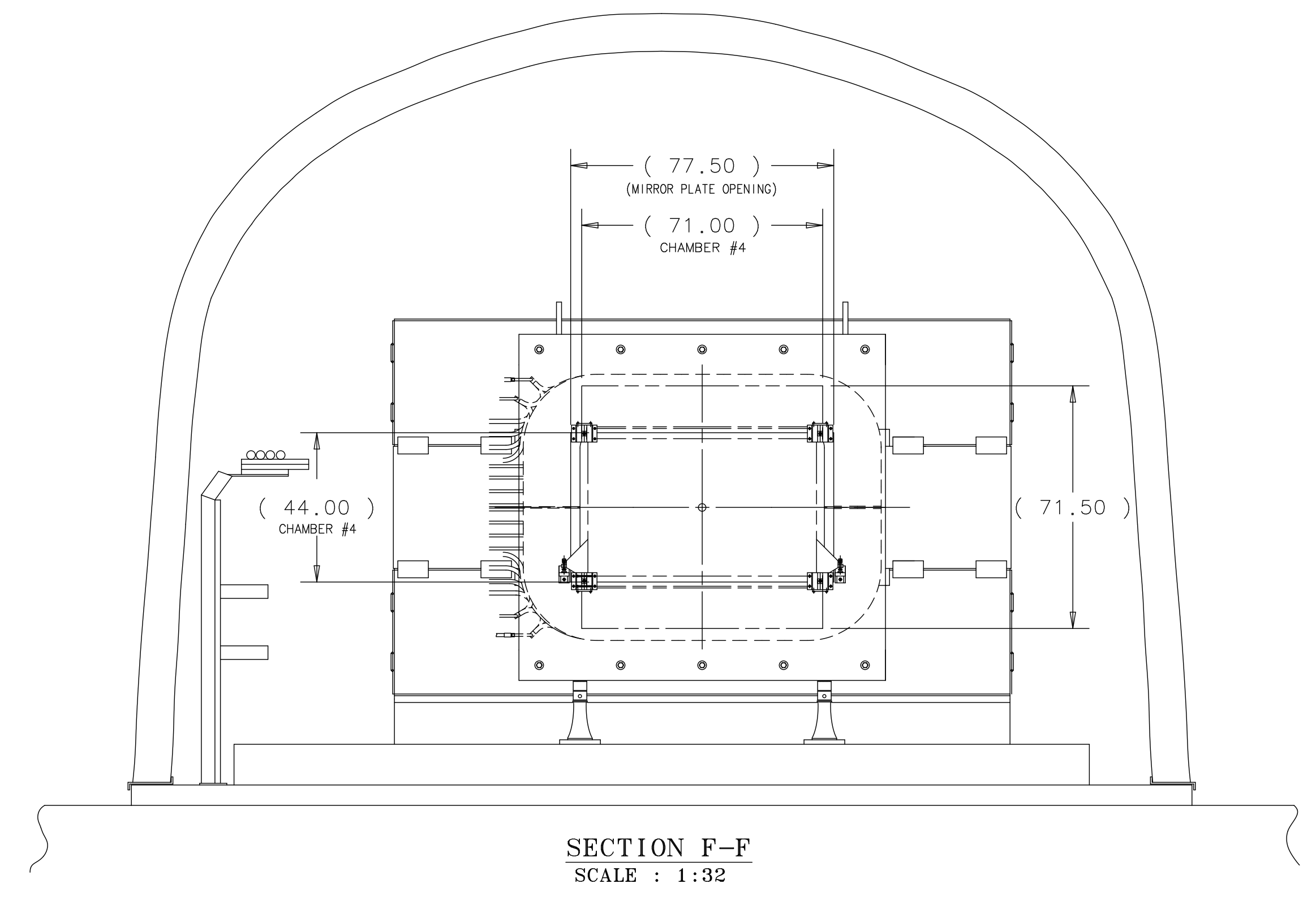
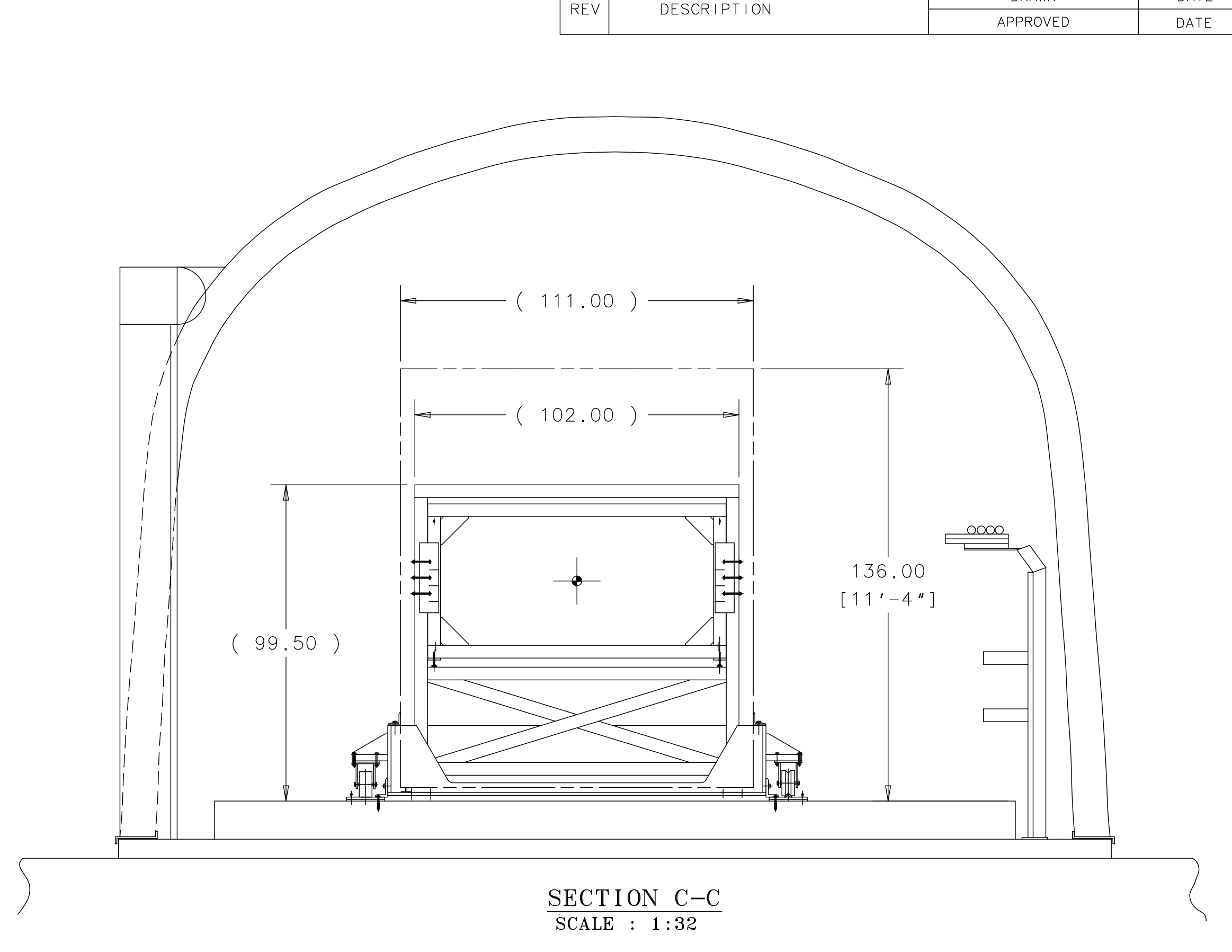
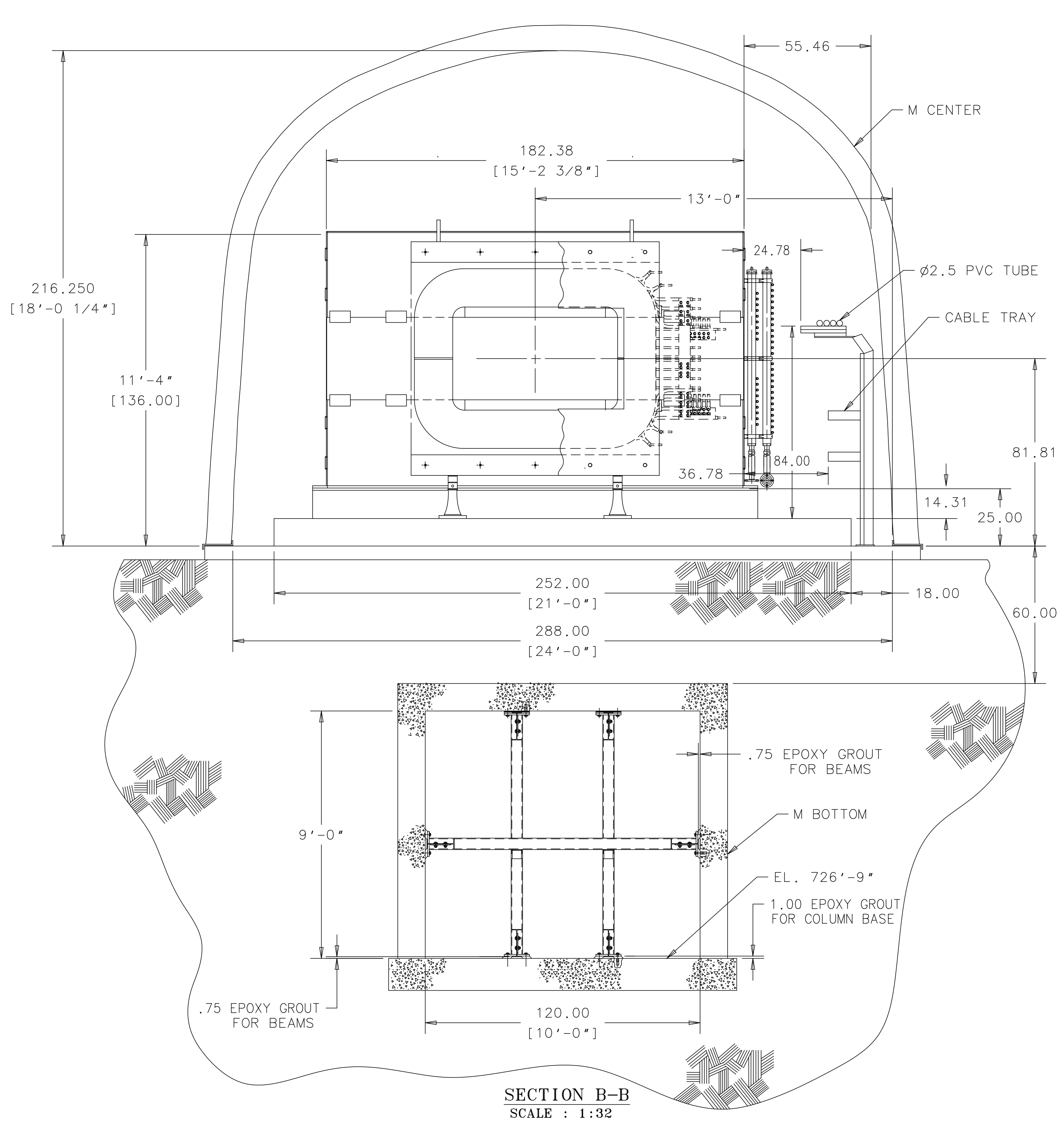
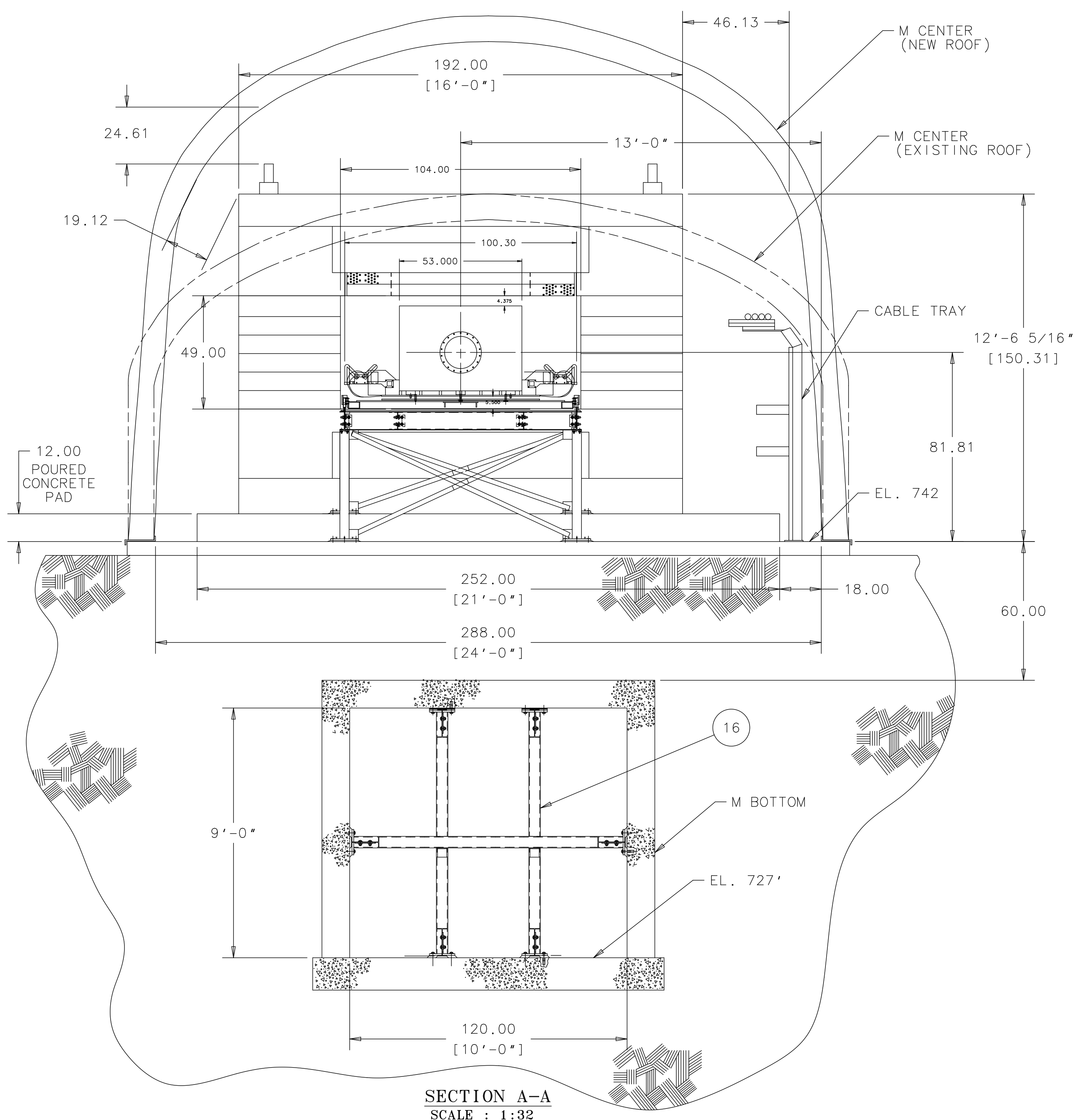


REV	DESCRIPTION	DRAWN	DATE
		J. KILMER	09-JUL-2001
		G. SMITH	06-JUL-2003
			18-OCT-2005
			18-OCT-2005



ITEM	PART NO.	DESCRIPTION OR SIZE	QTY.
PARTS LIST			
UNLESS OTHERWISE SPECIFIED	ORIGINATOR	J. KILMER	09-JUL-2001
.XX	.XXX	ANGLES	DRAWN G. SMITH 06-JUL-2003
±	±	±	CHECKED 18-OCT-2005
1. BREAK ALL SHARP EDGES	APPROVED	-----	18-OCT-2005
2. DO NOT SCALE DRAWING	USED ON	E907 BEAMLINE	
3. DIMENSIONS BASED UPON ANSI Y14.5M-1982			
4. MAX. ALL MACH. SURFACES	MATERIAL	-----	
FERMI NATIONAL ACCELERATOR LABORATORY UNITED STATES DEPARTMENT OF ENERGY PPD/MECHANICAL DEPT. E907 M-CENTER BEAMLINE EQUIPMENT LAYOUT			
SCALE	DRAWING NUMBER	SHEET	REV
1 : 32	3907.500-ME-397568	2 OF 3	
CREATED WITH	Ideas11NXSeries	GROUP	PPD/MECHANICAL DEPARTMENT