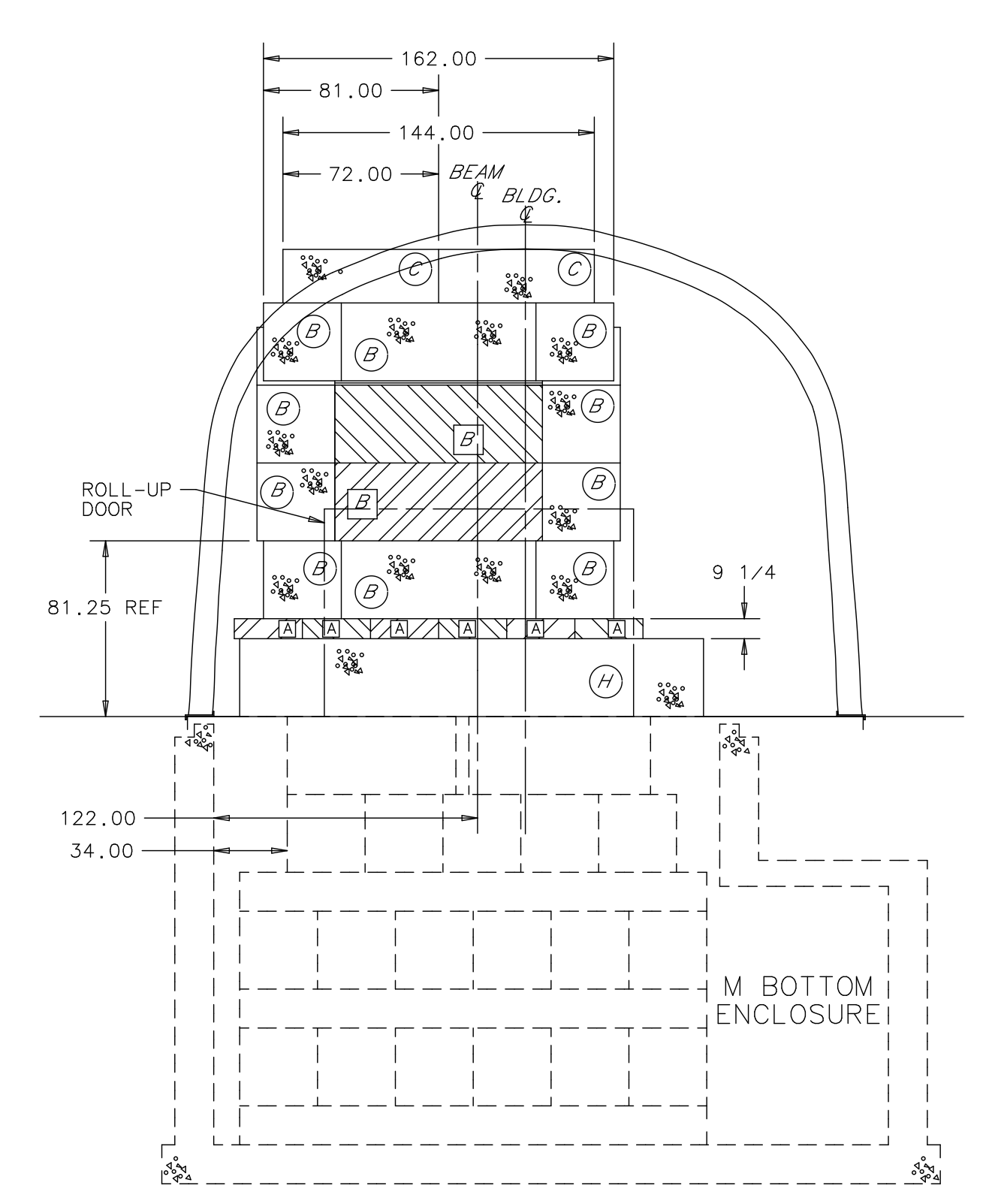
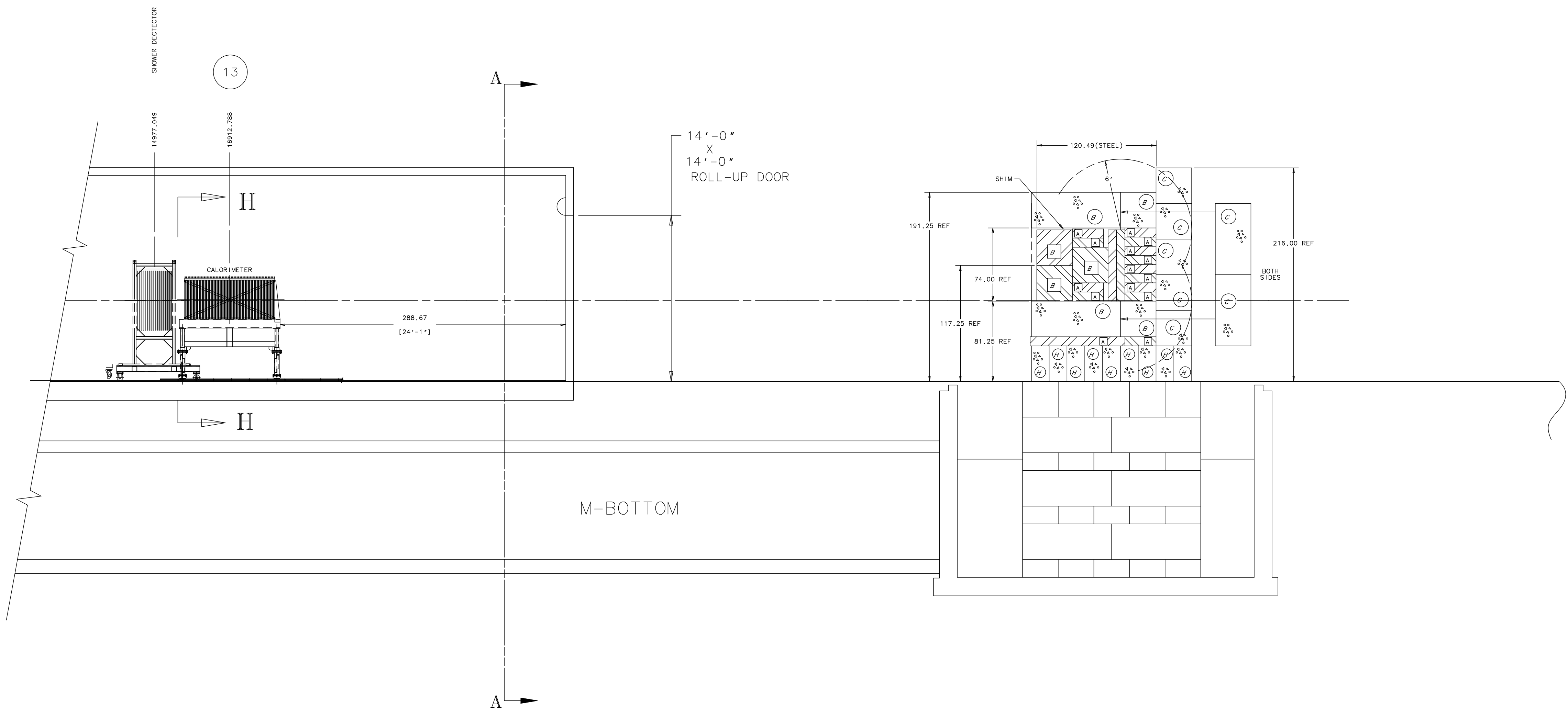
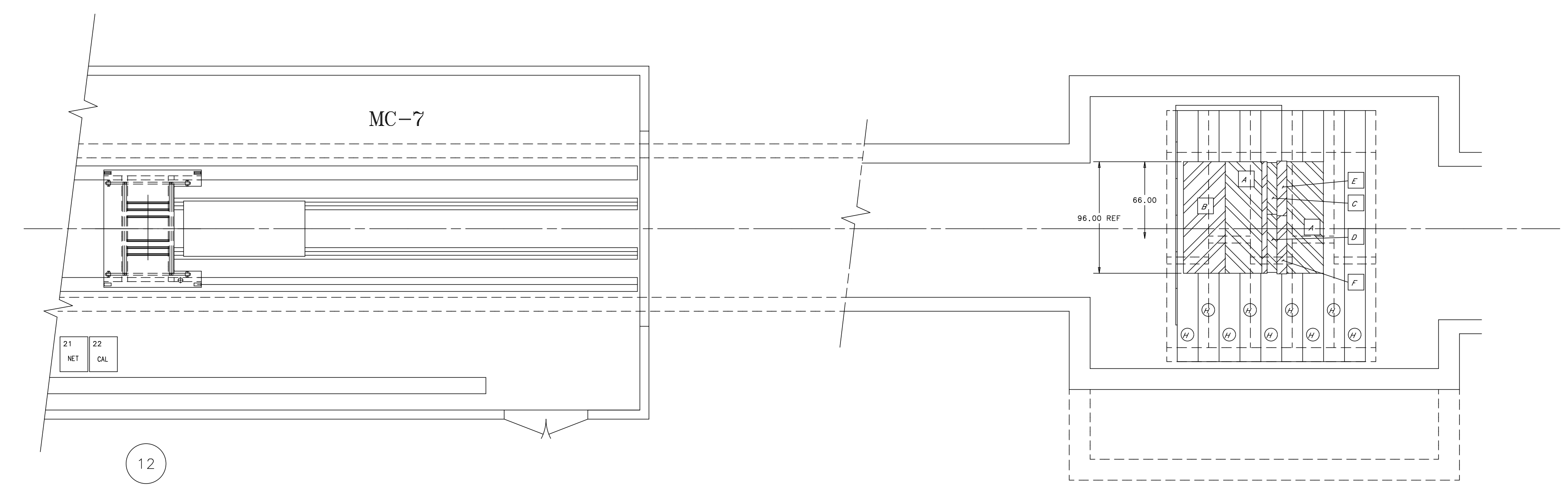


REV	DESCRIPTION	DRAWN	DATE
		APPROVED	DATE



SECTION A-A
SCALE: 1/8

ITEM	PART NO.	DESCRIPTION OR SIZE	QTY.
PARTS LIST			
UNLESS OTHERWISE SPECIFIED		ORIGINATOR	J. KILMER
		DRAWN	G. SMITH
		CHECKED	-----
		APPROVED	-----
1. BREAK ALL SHARP EDGES		USED ON	E907 BEAMLINE
2. DO NOT SCALE DRAWING.			
3. DIMENSIONS BASED UPON			
ANSI Y14.5M-1982			
4. MAX. ALL MACH. SURFACES			
		MATERIAL	
FERMI NATIONAL ACCELERATOR LABORATORY UNITED STATES DEPARTMENT OF ENERGY PPD/MECHANICAL DEPT. E907 M-CENTER BEAMLINE EQUIPMENT LAYOUT			
SCALE	DRAWING NUMBER	SHEET	REV
1:8	3907.500-ME-397568	3 OF 3	
CREATED WITH : Ideo31NXSeries		GROUP:	PPD/MECHANICAL DEPARTMENT