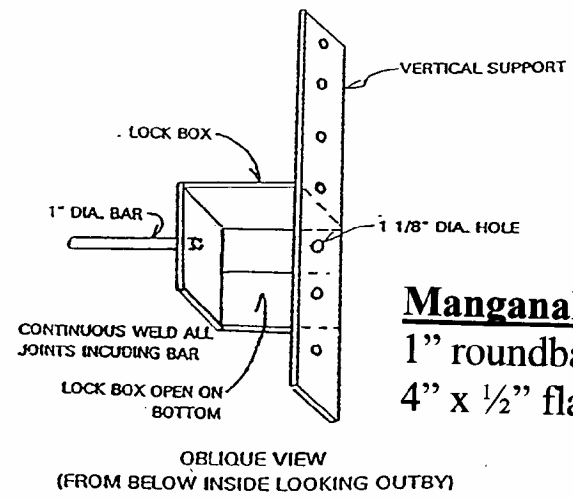
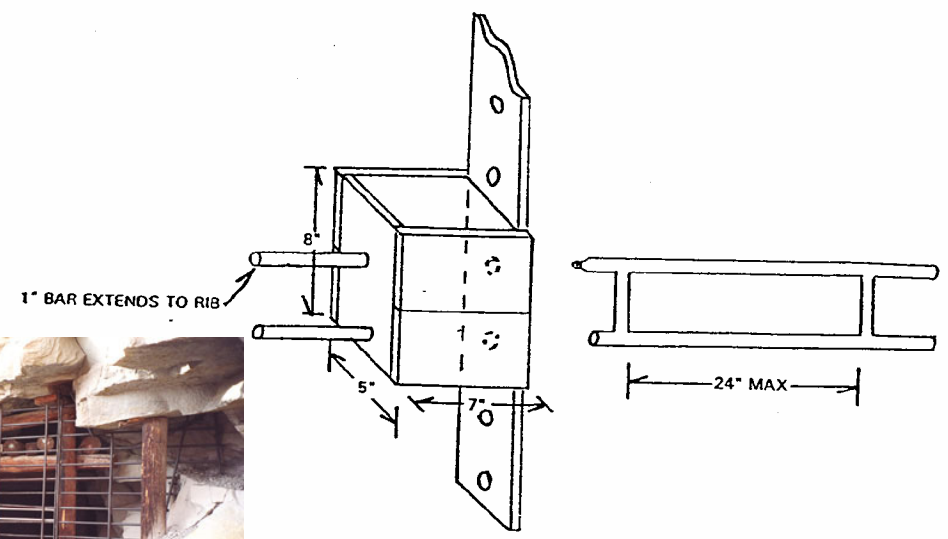



NOTE: ALL STEEL TO BE 12-14% MANGANESE STEEL (MANGANAL® STEEL OR EQUIVALENT)



**Manganal Steel**  
 1" roundbar 2.72 lb/ft  
 4" x 1/2" flat 6.68 lb/ft



<b>MINE RECLAMATION PROJECT</b>	
<b>Bat Gate Detail</b>	
 UTAH NATURAL RESOURCES Oil, Gas & Mining	Designed by: laa
	Scale as noted
	Sheet 1 of 1