

# **FM TIB9-001**

**TIBERIUS ARMS TECHNICAL MANUAL**

---

## **T9**

### **MAGAZINE-FED + HOPPER-FED LAUNCHER**




---

**HEADQUARTERS-TIBERIUS ARMS**  
**2006**

**PAT# 6,892,718 PAT# 6,701,909 PAT# 6,470,872**  
**and Patents Pending**  
**tiberiusarms.com**

## WARNINGS

 **WARNING:** This is not a toy. Misuse may cause serious injury or death. Eye protection designed specifically for paintball must be worn by the user and persons within range. Recommend 18 years or older to purchase. Persons under 18 must have adult supervision. READ OWNER'S MANUAL BEFORE USING.

Treat every marker as if it were loaded

Never look down the barrel of a paintball marker.

Keep your finger off the trigger until ready to shoot.

Never point the marker at anything you don't wish to shoot.

Keep the barrel blocking device in/on the marker's muzzle when not shooting.

Always remove paintballs and propellant source before disassembly.

After removing the propellant source, point marker in safe direction and discharge until marker is degassed.

Store the marker unloaded and degassed in a secure place.

Follow warnings listed on propellant source for handling and storage.

Do Not shoot at fragile objects such as windows.

Every person within range must wear eye, face, and ear protection designed specifically to stop paintballs.

Always measure your marker's velocity before playing paintball and never shoot at velocities in excess of 91.44m/s (300f/s).

Delayed discharge is possible. Due to the nature of CO<sub>2</sub>, at low temperatures the CO<sub>2</sub> pressure will drop too low to fire the marker if the trigger is pulled while the CO<sub>2</sub> is warming and increasing pressure, a delayed shot can occur.

## INDEX

### OPERATING INSTRUCTIONS:

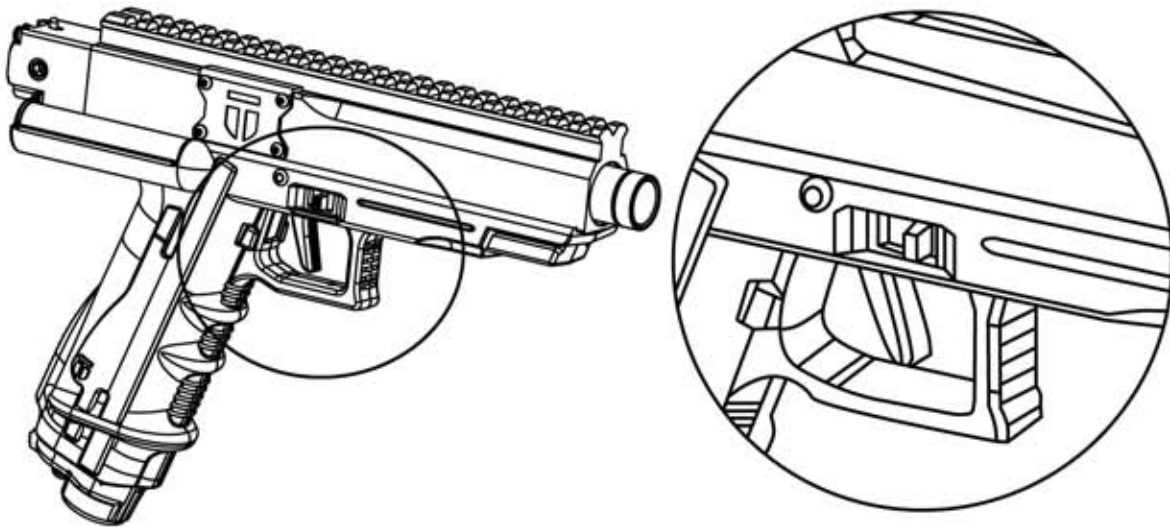
<b>Page 1:</b>	<b>Safety</b>
<b>Page 2:</b>	<b>Loading the Paint</b>
<b>Page 3:</b>	<b>Loading the CO2</b>
<b>Page 4:</b>	<b>Loading the Magazine</b>
<b>Page 5:</b>	<b>Releasing Magazine</b>
<b>Page 6:</b>	<b>Set Velocity</b>
<b>Page 7:</b>	<b>Set Relief Valve</b>
<b>Page 8:</b>	<b>Convert to Hopper</b>
<b>Page 9:</b>	<b>Convert to Remote Air Line</b>
<b>Page 10:</b>	<b>Attach Shroud</b>
<b>Page 11:</b>	<b>Convert to Pistol</b>
<b>Page 12:</b>	<b>Remove Barrel</b>
<b>Page 13:</b>	<b>Adjust Stock Tension</b>
<b>Page 14:</b>	<b>Maintenance</b>
<b>Page 15-16:</b>	<b>Trouble Shooting</b>

### PARTS DIAGRAMS:

<b>Page 17:</b>	<b>Tiberius 8</b>
<b>Page 18:</b>	<b>Gun Body Assembly</b>
<b>Page 19:</b>	<b>Trigger</b>
<b>Page 20:</b>	<b>Regulator</b>
<b>Page 21:</b>	<b>Engine &amp; Firing Bolt Assembly</b>
<b>Page 22:</b>	<b>Magazine</b>
<b>Page 23:</b>	<b>CO2 Valve Housing</b>
<b>Page 24-25:</b>	<b>T9 Optional Equipment</b>
<b>Page 26:</b>	<b>Warranty</b>

## WARRANTY

Tiberius Arms products are crafted with the finest materials and designed to provide trouble-free performance. Accordingly, Tiberius Arms warrants this product to be free from defects in materials and workmanship for a period of 1 year from the date of purchase by the original owner. Unauthorized modifications, alterations, neglect or abuse of this product voids this warranty. This warranty provides only for the parts and labor required to repair the product to proper working order. At Tiberius Arms we take great pride in our products and service. Don't hesitate to contact us with any questions or concerns.



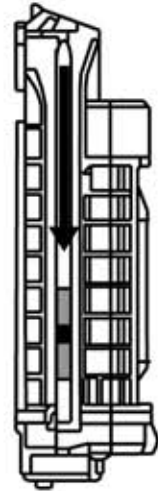
## SAFETY

Safety switch is located in a window above the trigger. It is accessible from either side of marker.

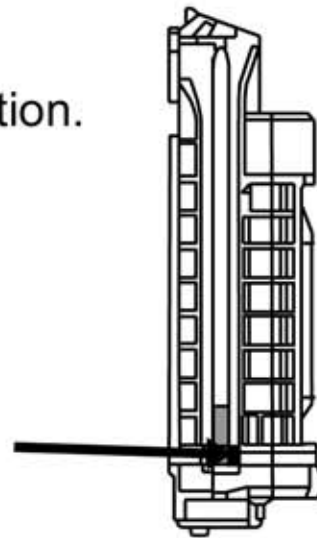
When the safety window is red, safety is off and the marker will fire. When the safety window is black safety is on and the marker will not fire.

## LOAD PAINT

1. Pull ball pusher down to bottom.

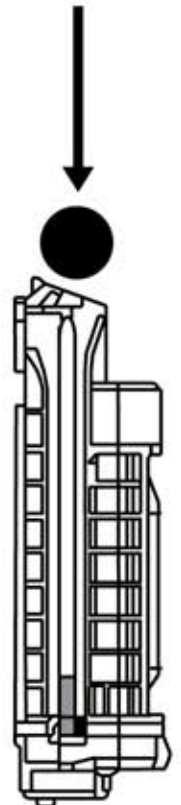


2. Turn and lock pusher in down position.



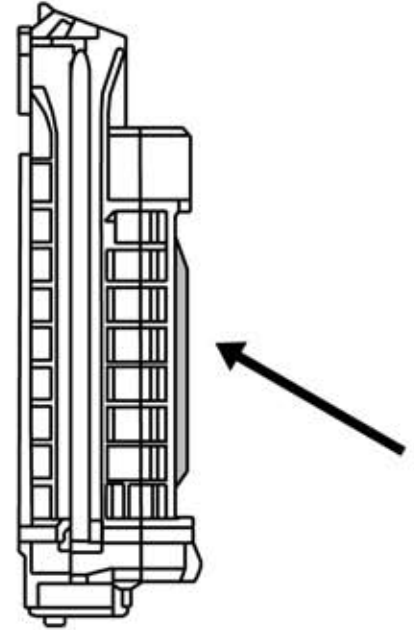
3. Load eight 68 caliber paintballs from top.

4. Leave the ball pusher locked in the down position.  
It will automatically release when inserted into the marker.

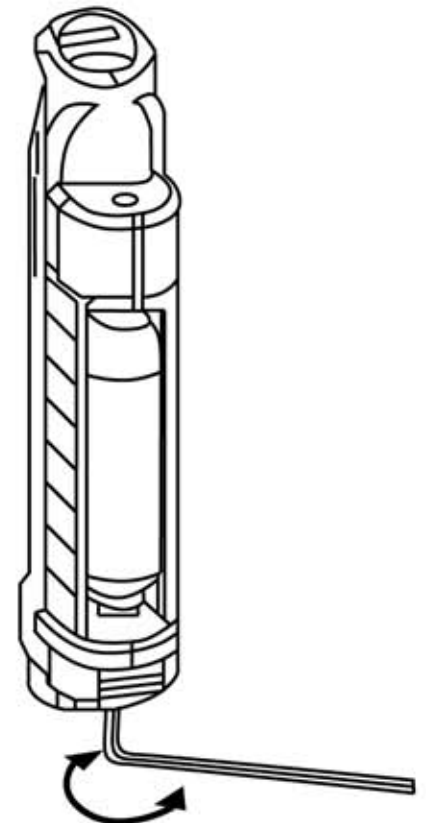


## LOAD CO2

1. Place 12-gram CO2 cartridge in magazine as depicted.



2. Quickly rotate a 3/16" Allen wrench (included in box) clockwise until CO2 punctures and seals. (You will hear a small burst of air just before it seals.)

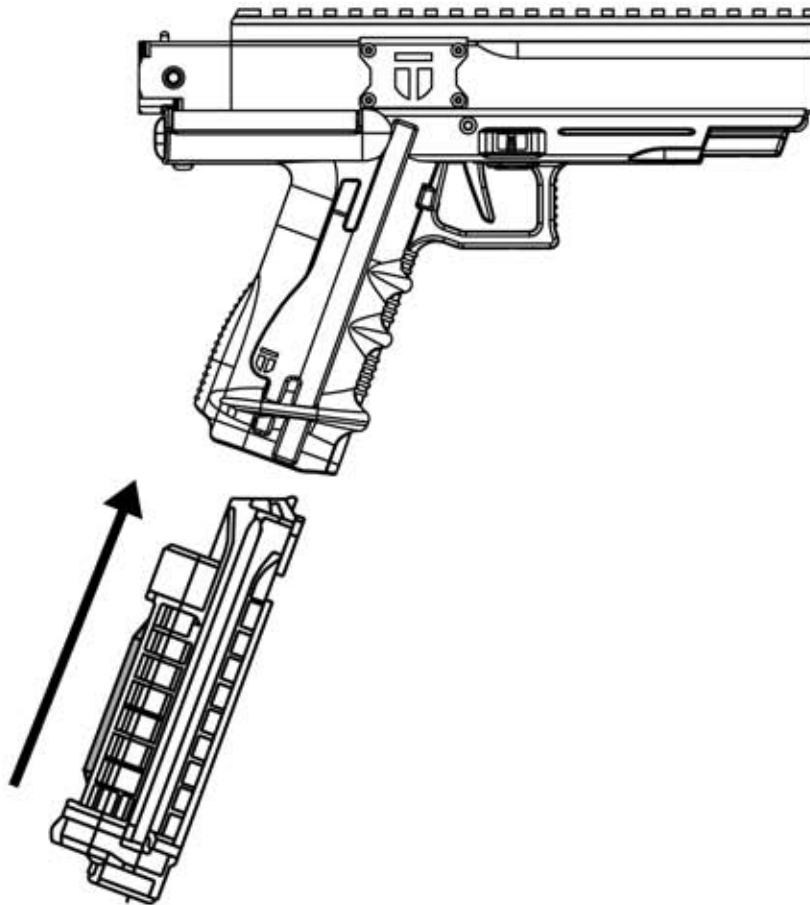


Note: Bottom of magazine has a counter to track number of times you have reloaded the magazine.

## LOAD MAGAZINE

Orient magazine as shown and insert firmly into handle until the magazine clicks and locks into place.

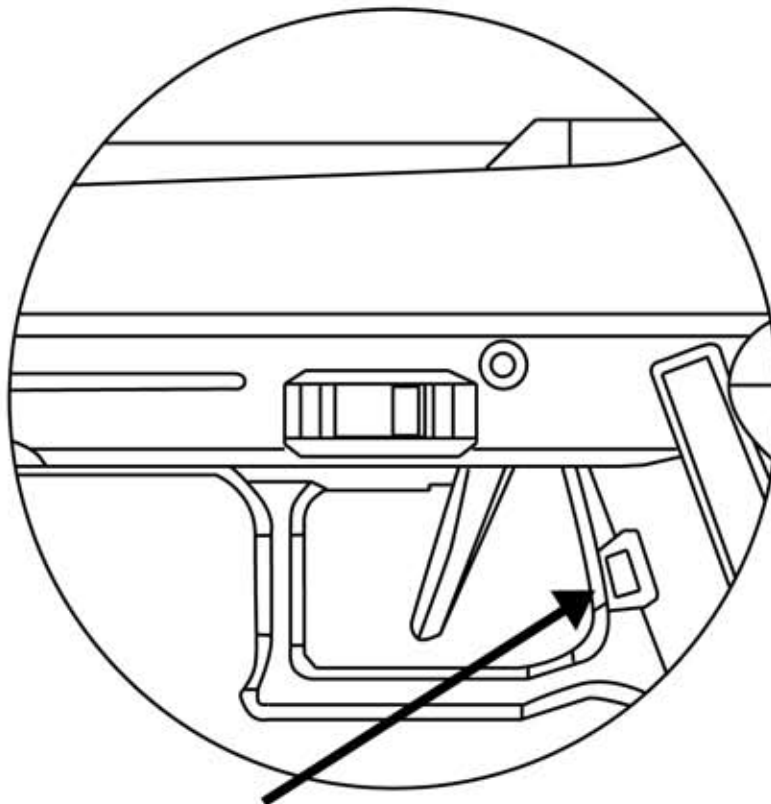
**IMPORTANT:** If magazine does not insert on first attempt, remove it and clear the released balls out of the handle before reinserting. Failure to do this will result in breaking balls left inside the handle.



Note: Do not store the magazine in the marker.

## **RELEASE MAGAZINE**

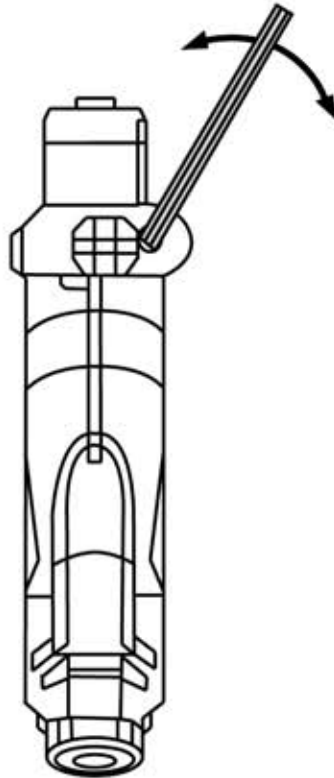
With the barrel facing away from you, depress the magazine release button.



When there is CO2 in the canister, the magazine will eject from the handle. When there is no CO2, you must pull the magazine free.



## SET VELOCITY



1. Insert a 3/16" Allen wrench as depicted.
2. To increase velocity, turn clockwise.
3. To decrease velocity, turn counter-clockwise.
4. Fire once to clear the chamber after each adjustment.  
Then measure the velocity of the second shot.

Safety Tip: Always measure marker's velocity before playing paintball.  
Never shoot at velocities in excess of 300 ft/s (91.44 m/s).  
Recommended velocity is 270 ft/s.

## SET RELIEF VALVE

**IMPORTANT:** The relief valve is not set at the factory; you must set it yourself.

1. Set the velocity as described on page 6.
2. Insert a 3/16" Allen wrench and turn counterclockwise until you hear air leaking out of the hole.
3. Give wrench 1/4 turn clockwise. The relief valve will begin to bleed off excess air if the velocity raises more than approximately 20 ft/s above where you set the velocity. (For example, if the velocity is set at 270 f/s, the relief valve will bleed off air at 290 ft/s).

**Safety Tip:** Always set the relief valve before playing paintball.

**WARNING:** If the relief valve opens, do not fire. The pressure is too high. Eject the magazine and lower the velocity before continuing play.



## CONVERT TO HOPPER

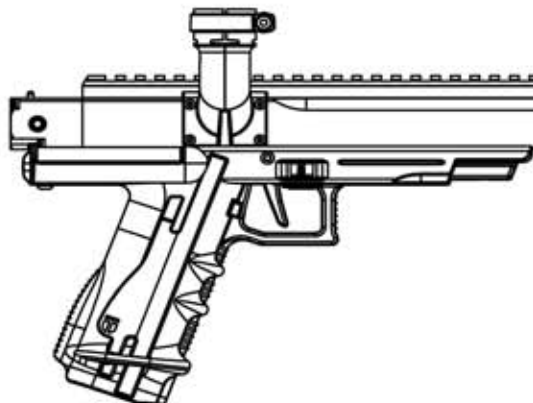
1. Remove cover plate.



2. Push in and rotate barrel until aligned with open window.

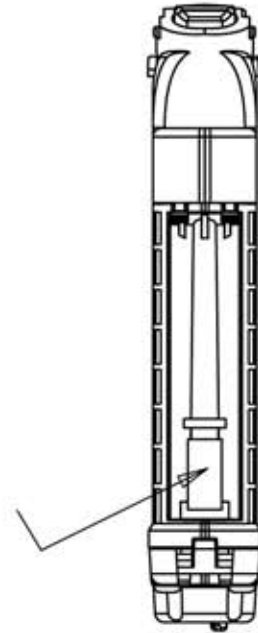


3. Attach elbow with same four screws as cover plate.

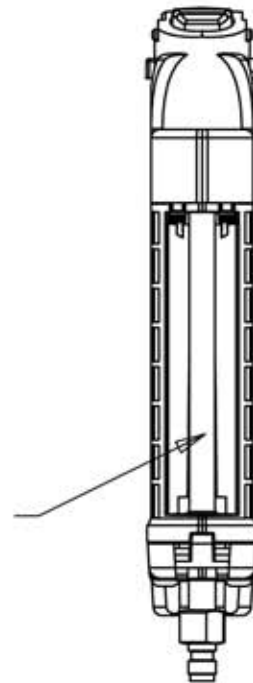


# CONVERT TO REMOTE AIR LINE

1. Remove CO2 base screw.



2. Replace with remote line adapter.



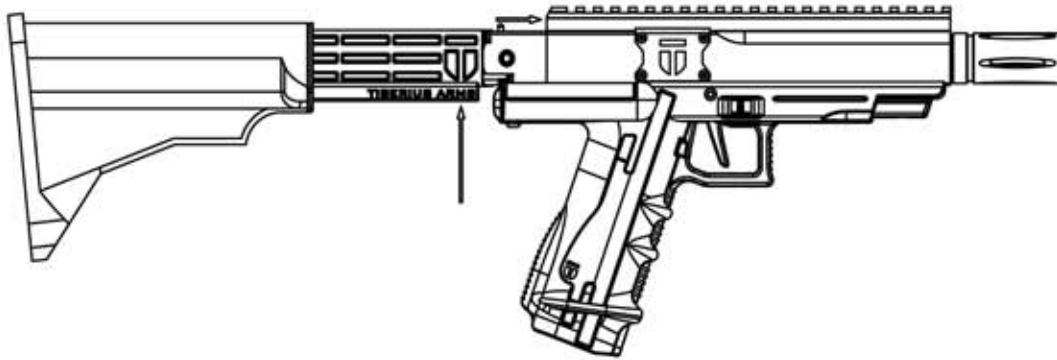
# ATTACH SHROUD

Shroud is attached and detached by the thumb screw.

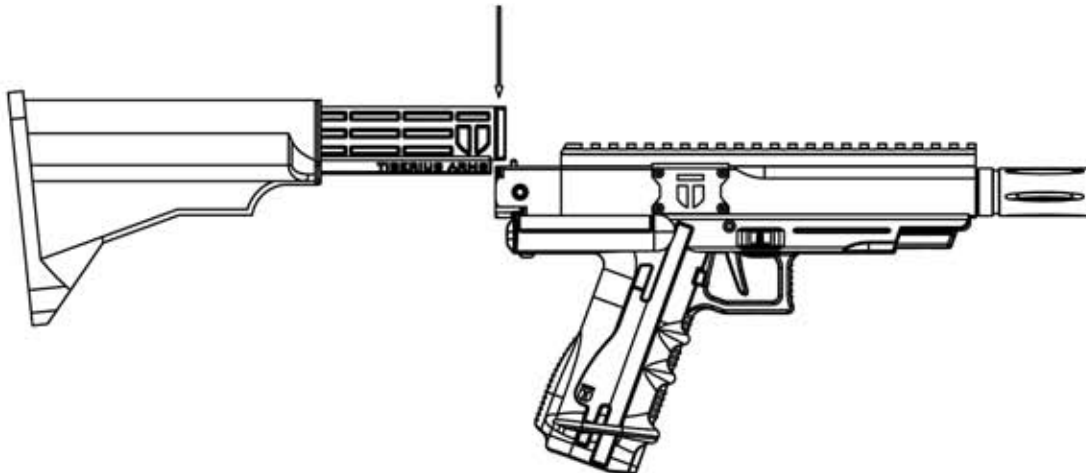


## CONVERT TO PISTOL

1. Quick-release stock -- to remove, push retention pin back and simultaneously pull straight up on stock.



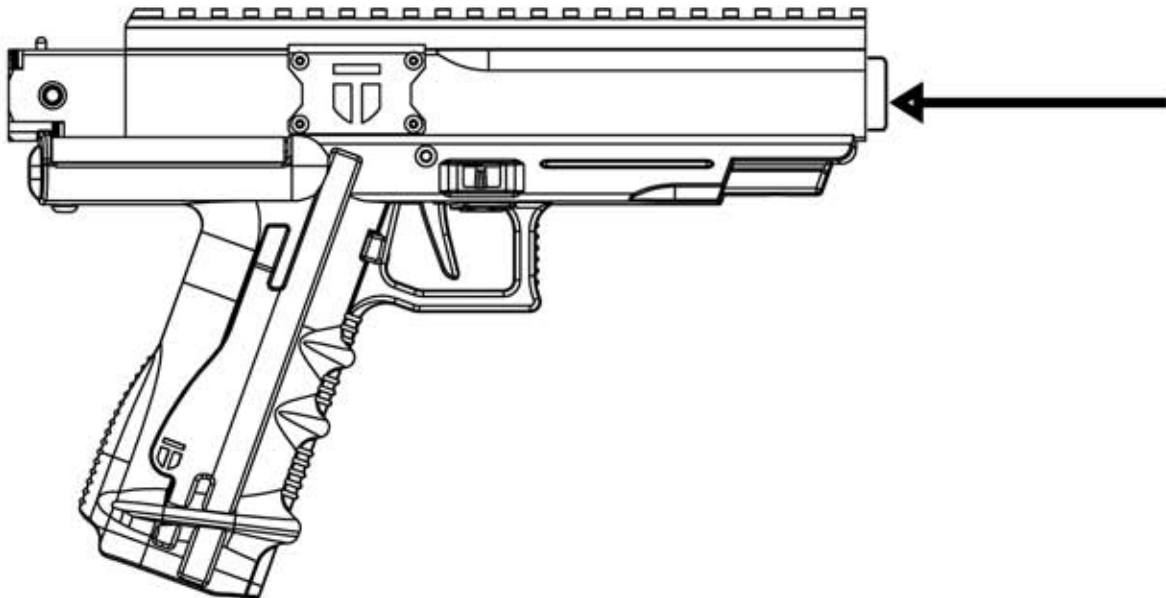
2. To attach, push retention pin back, align dove rails and push down until pin clicks into place.



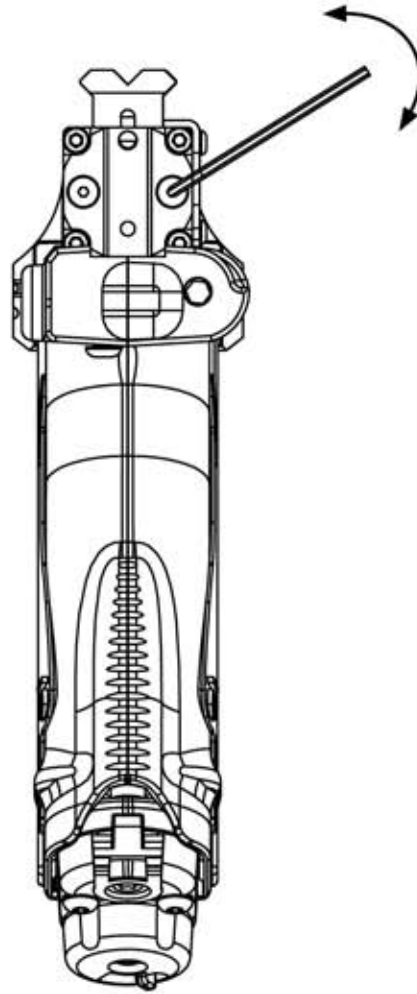
## REMOVE BARREL

**IMPORTANT:** Before performing any of the following instructions, remove the magazine. Point marker in a safe direction and discharge until degassed.

1. Remove magazine.
2. To remove barrel, press inward, rotate counterclockwise and release. The barrel will slide out.



# ADJUST STOCK TENSION



Turn clockwise to make the stock fit tighter.  
Turn counter-clockwise to make the stock fit looser.



## **MAINTENANCE**

**IMPORTANT:** Before performing any of the following instructions, remove the magazine. Point the marker in a safe direction and discharge until degassed.

For optimum performance, perform the following steps monthly.

1. Place three drops of oil between the trigger release and the trigger rotator.
2. Place three drops of oil down the velocity adjuster hole.
3. Place two drops of oil (aiming toward the center pin down each of the airflow openings in the bolt.)
4. Place one drop of oil on the CO2 o-ring (found at the top of the CO2 valve in the magazine).

Note: See oil drop symbols on parts diagram.



## **TROUBLESHOOTING**

**IMPORTANT:** Before performing any of the following instructions, remove the magazine. Point the marker in a safe direction and discharge until degassed.

### **Gun is gassed up and is not leaking, but will not fire**

The velocity adjuster may be loose. It must be tightened down in order for the marker to fire.

The bolt may not have been pushed forward before assembling the regulator body (3) and the gun body (2). Disassemble, remove barrel, and push the bolt forward before assembling.

### **Gas leaking out barrel**

The bolt could be jammed in the forward position. Insert a rod into the barrel and strike the bolt to free it.

The air chamber o-ring may have come out. If so, you will find it inside the firing bolt. Ensure the o-ring groove in air chamber is clean, then put o-ring back into place.

## **TROUBLESHOOTING**

**Gas leaking out the back end, between the plastic handle and the metal body**

The o-ring (12) between the regulator and end cap may be missing, damaged or out of place.

The screw (9) at the back of the marker may be loose or missing. Disassemble and reset o-ring.

**Double or rapid firing**

The sear may be worn. Replace it.

The pressure may be too low. Try a new 12-gram CO2.

The regulator may be set too low. Simply tighten the velocity adjuster.

**Trigger does not return**

Replace trigger spring.

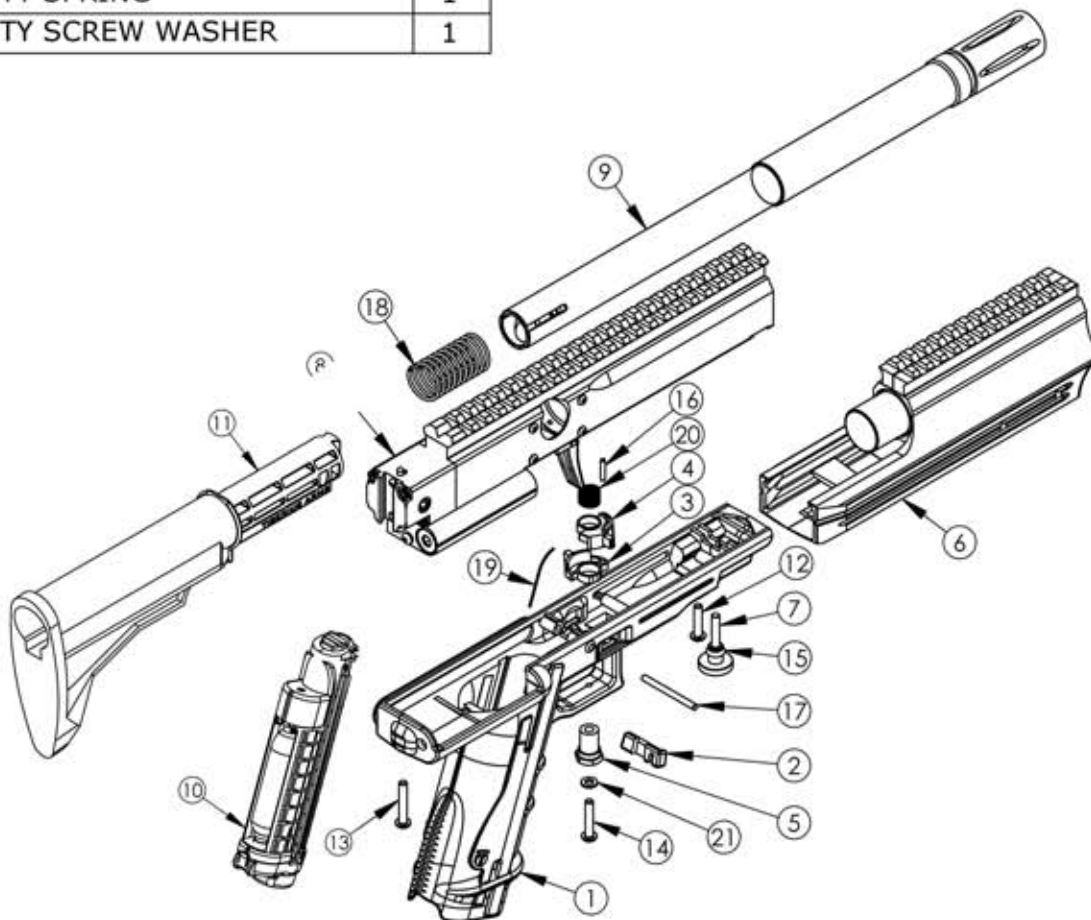
**For additional assistance, call our service center at 888.982.2842**

Tiberius Arms  
2717 Ferguson Rd  
Fort Wayne, IN 46809  
888.982.2842

# TIBERIUS 8

ITEM NO.	DESCRIPTION	QTY.
1	HANDLE ASSY	1
2	MAGAZINE RELEASE BUTTON	1
3	SAFETY - LH	1
4	SAFETY - RH	1
5	SAFETY BUSHING	1
6	SHROUD ASSY	1
7	SHROUD MOUNTING SCREW	1
8	GUN BODY ASSY	1
9	BARREL ASSY	1
10	MAGAZINE ASSY	1
11	STOCK ASSY	1
12	HANDLE SCREW - FRONT	1
13	HANDLE SCREW - REAR	1
14	SAFETY SCREW	1
15	SHROUD SCREW O-RING	1
16	SAFETY PIN	1
17	TRIGGER PIN	1
18	FIRING BOLT SPRING	1
19	MAG RELEASE RETURN SPRING	1
20	SAFETY SPRING	1
21	SAFETY SCREW WASHER	1

To disassemble, remove screws (13, 7 or 12, 14). Push out pin (17) by the safety. Then pull the gun body out of the handle, starting at the nose.

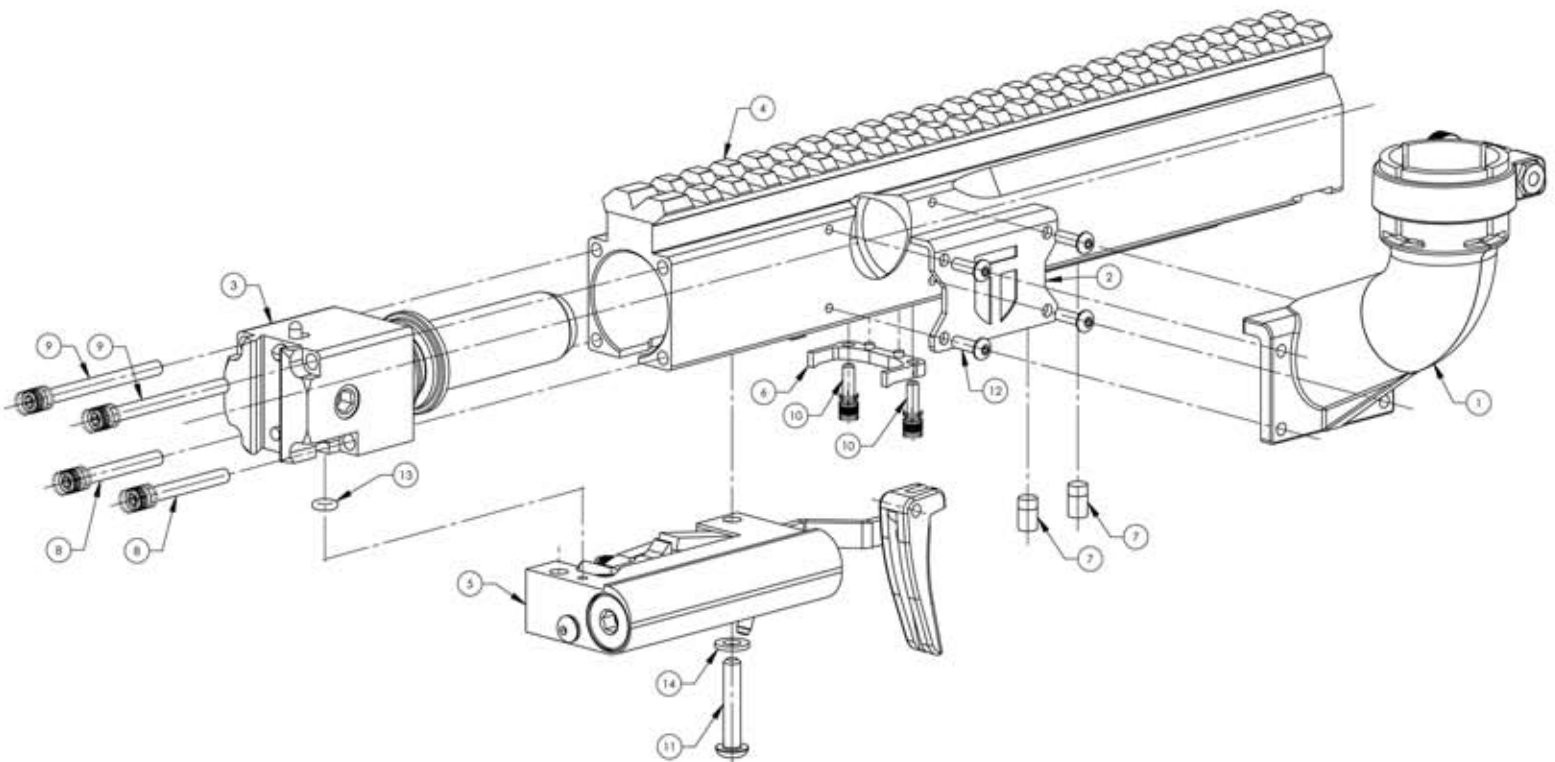


# GUN BODY ASSEMBLY

Disassemble trigger assembly (5) from gun body (4) before removing engine and firing bolt assembly (1). Likewise assemble engine and firing bolt assembly to the gun body before trigger assembly.

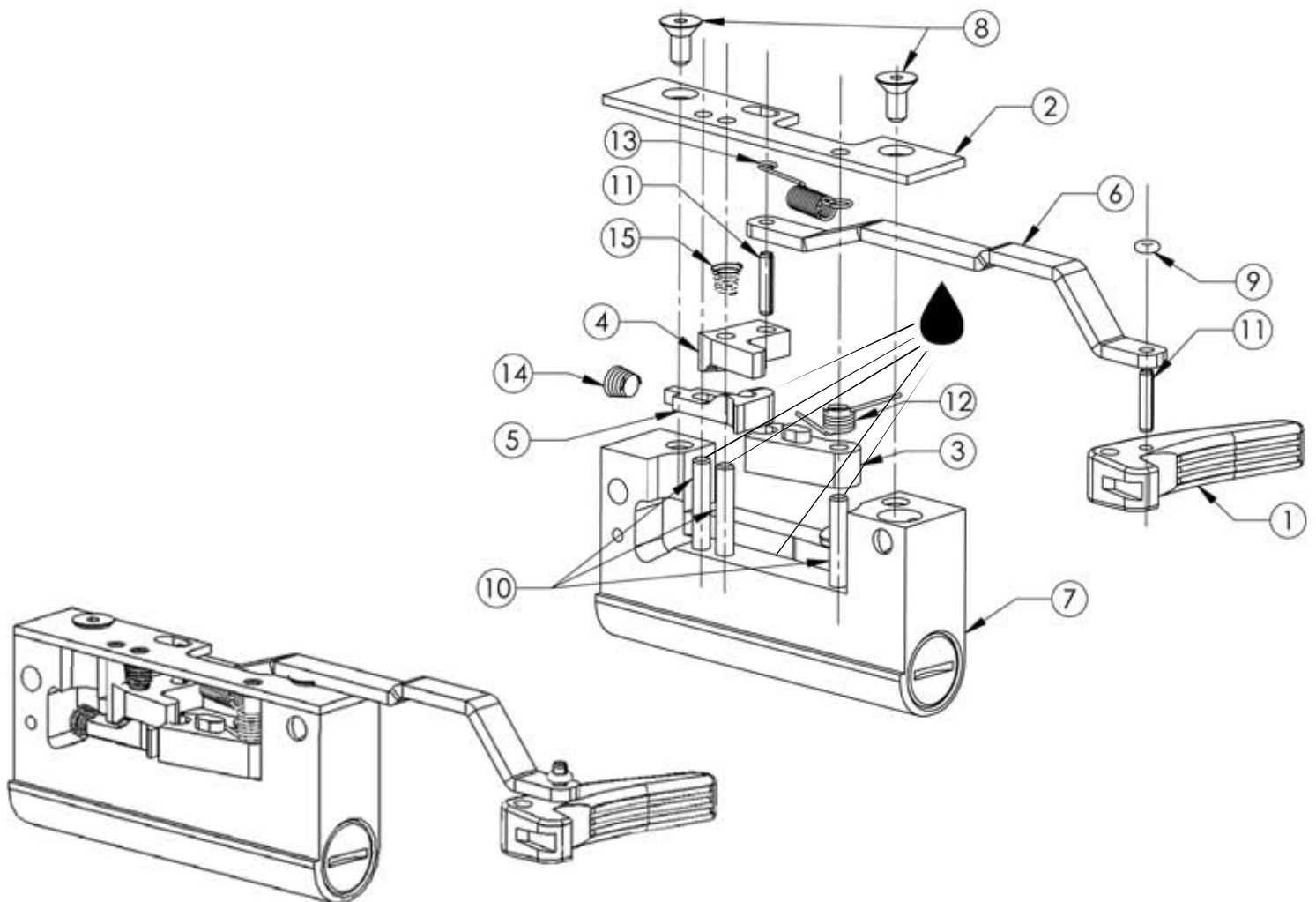
**IMPORTANT:** If you separate the regulator body (5) from the gun body (4), you must push the bolt forward before you assemble them again. Failure to do so will trap the bolt behind the trigger release, and the gun will not fire.

ITEM NO.	DESCRIPTION	QTY.
1	HOPPER ADAPTER	1
2	COVER PLATE	1
3	ENGINE & FIRING BOLT ASSY	1
4	GUN BODY	1
5	TRIGGER ASSY	1
6	AMMO RELEASE FORK	1
7	BARREL LOCKS	2
8	END CAP SCREWS 1 1/8"	2
9	END CAP SCREWS 2"	2
10	RELEASE FORK SCREWS	2
11	REGULATOR BODY SCREW	1
12	COVER PLATE SCREWS	4
13	END CAP / REG BODY SEAL	1
14	REG BODY SCREW WASHER	1



ITEM NO.	DESCRIPTION	QTY.
1	TRIGGER	1
2	TRIGGER COVER	1
3	SEAR	1
4	ROTATOR	1
5	RELEASE	1
6	PUSH ROD	1
7	REGULATOR ASSEMBLY	1
8	TRIGGER COVER SCREWS	2
9	PUSH ROD RETAINER	1
10	REGULATOR BODY PINS	3
11	PUSH ROD PIN	2
12	SEAR SPRING	1
13	TRIGGER RETURN SPRING	1
14	RELEASE SPRING	1
15	ROTATOR SPRING	1

Assemble rotator spring (15) with large end toward rotator (4).



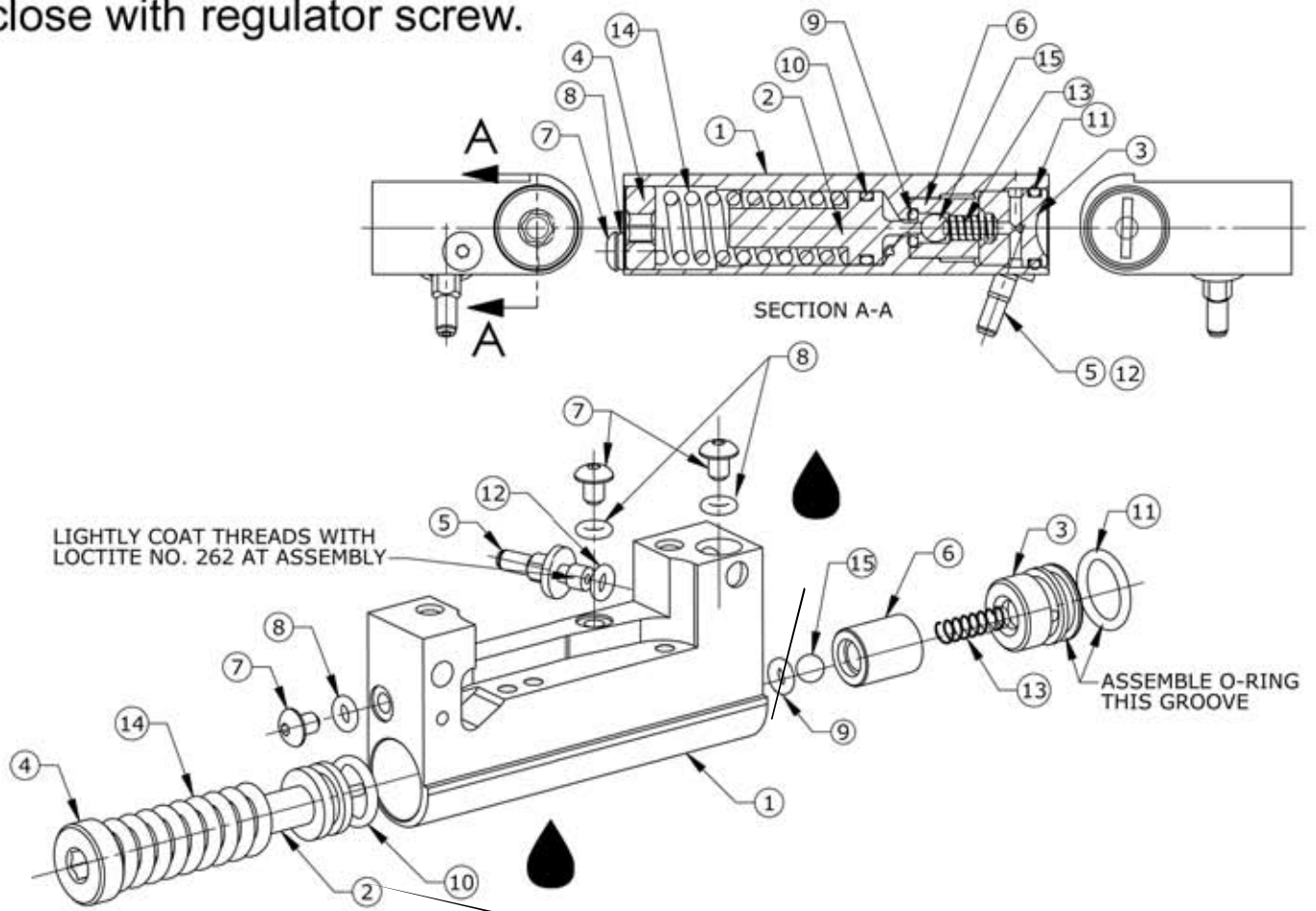
# REGULATOR

Turn regulator adjuster (4) six turns from flush with the regulator body. This typically yields a velocity of about 280 fps, always chronograph to test.

NOTE: If the regulator adjuster is not tightened enough, the marker will not gas up.

Place ball (15) into regulator sleeve (6) and o-ring (9) into groove of regulator valve sleeve. Insert regulator sleeve so the ball and o-ring do not fall out. Put spring (13) into hole in back of regulator sleeve, and close with regulator screw.

ITEM NO.	DESCRIPTION	QTY.
1	REGULATOR BODY	1
2	REGULATOR SPRING PAD	1
3	REGULATOR END SCREW	1
4	REGULATOR ADJUSTER	1
5	CO2 STEM	1
6	REGULATOR VALVE SLEEVE	1
7	REGULATOR SEALING SCREWS	3
8	REGULATOR SEALING O-RING	3
9	REG VALVE SLEEVE O-RING	1
10	REG SPRING PAD O-RING	1
11	REG END SCREW O-RING	1
12	CO2 STEM O-RING	1
13	REGULATOR VALVE SPRING	1
14	REGULATOR SPRING	1
15	REGULATOR VALVE BALL	1



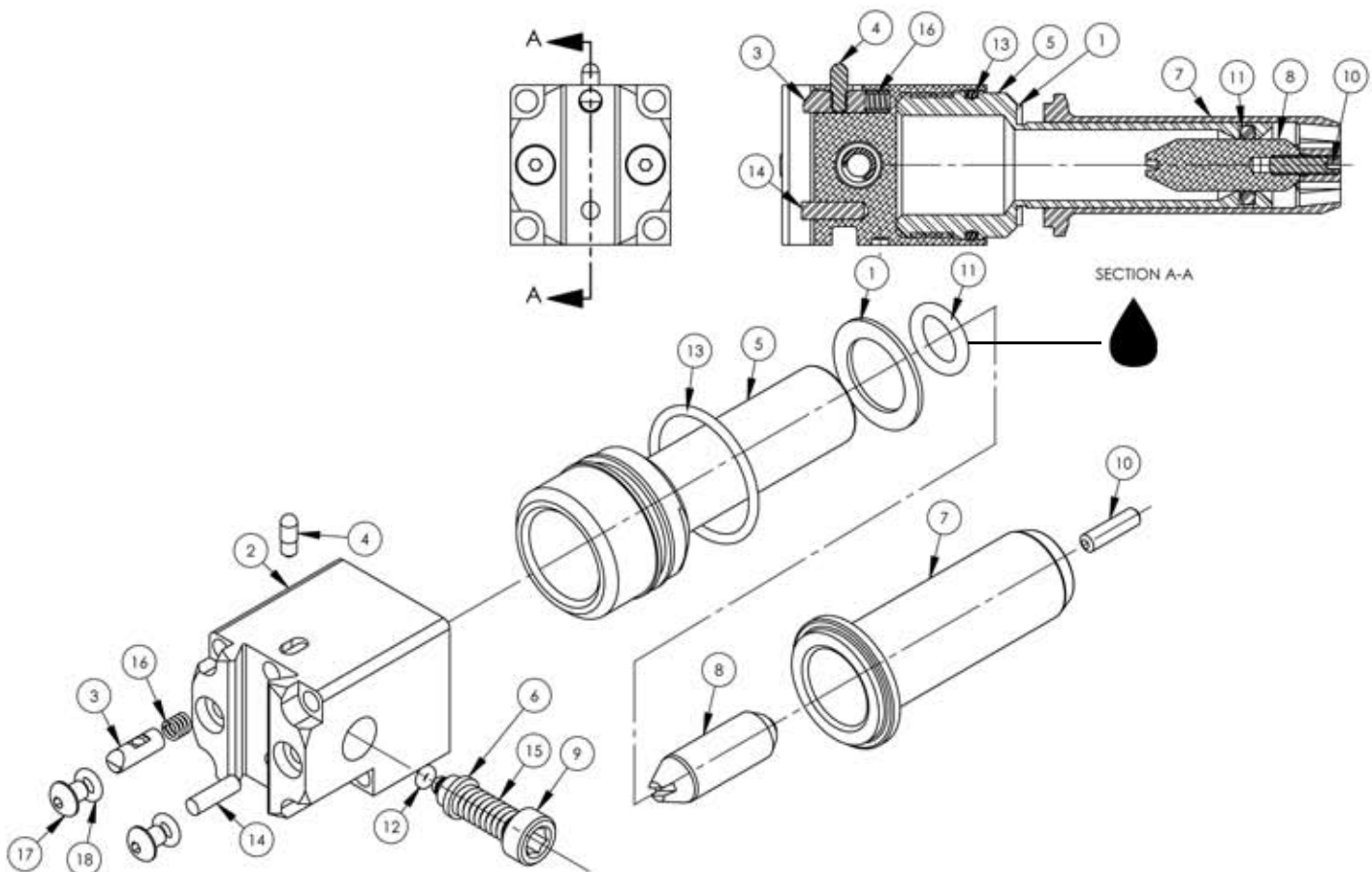


# ENGINE & FIRING BOLT ASSEMBLY

ITEM NO.	DESCRIPTION	QTY.
1	AIR CHAMBER SHOCK ABSORBER	1
2	END CAP - MR	1
3	PIN CATCH - END CAP	1
4	PIN CATCH KNOB - END CAP	1
5	AIR CHAMBER - MR	1
6	RELIEF VALVE - MR	1
7	FIRING BOLT - MR	1
8	FIRING PIN - MR	1
9	RELIEF VALVE SOCKET SET SCREW	1
10	FIRING BOLT SET SCREW	1
11	AIR CHAMBER CAP O-RING	1
12	RELIEF VALVE O-RING	1
13	AIR CHAMBER OD O-RING	1
14	STOCK SLIDE STOP	1
15	RELIEF VALVE SPRING	1
16	SPRING - PIN CATCH	1
17	REGULATOR SEALING SCREWS	2
18	REGULATOR SEALING O-RING	2

## Note:

Do not attempt to disassemble bolt (7) and firing pin (8). The alignment is set by factory fixtures and cannot be reassembled outside the factory.

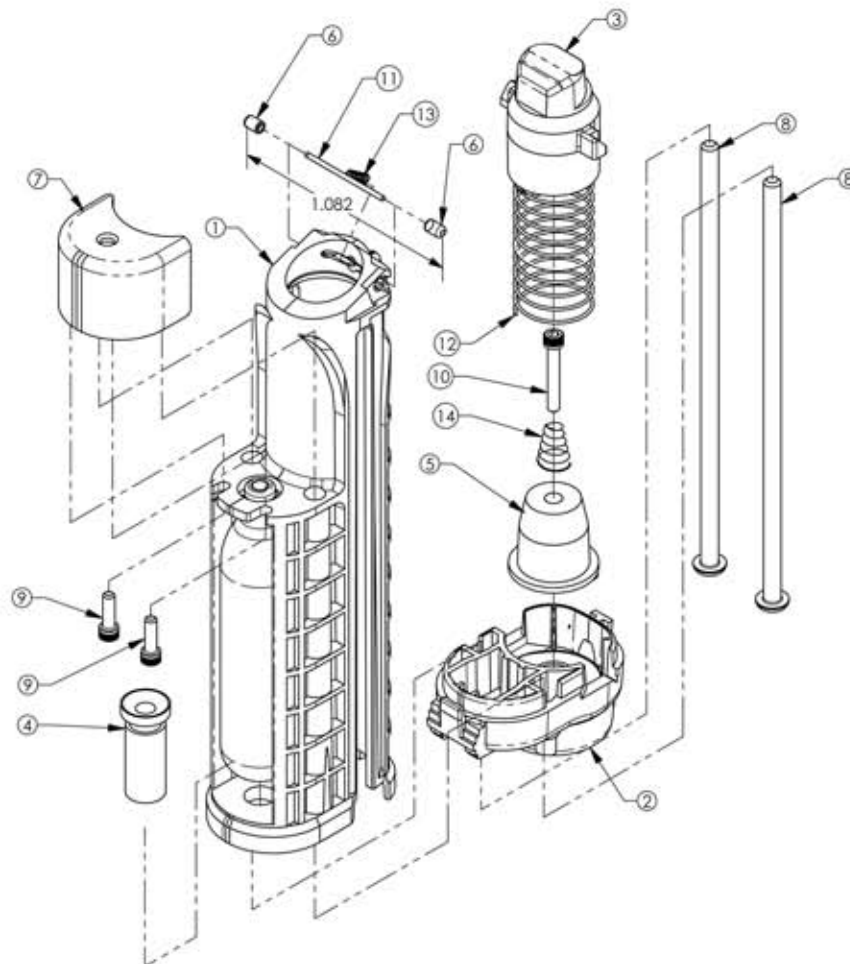




# MAGAZINE

Screws (8 and 9) must be removed in order to access the CO2 valve housing.

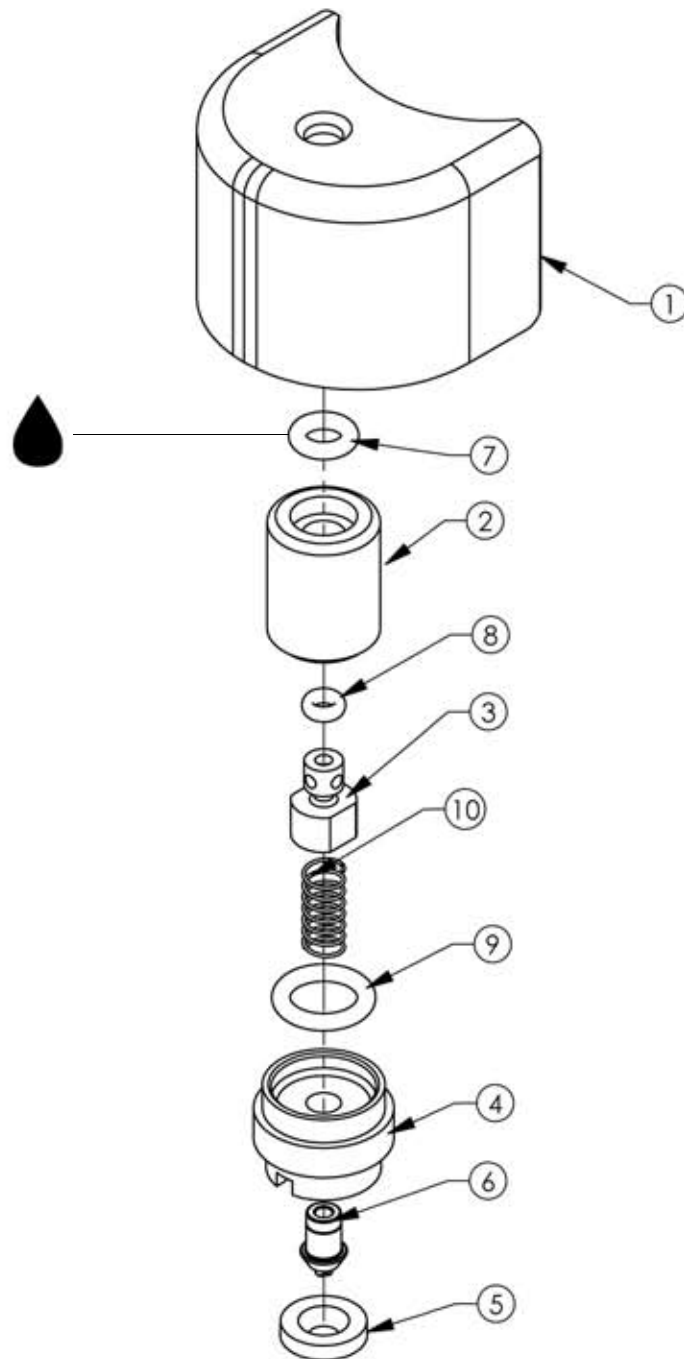
ITEM NO.	DESCRIPTION	QTY.
1	MAGAZINE BODY	1
2	MAGAZINE BOTTOM	1
3	BALL PUSHER	1
4	CO2 BASE SCREW	1
5	MAGAZINE COUNTER	1
6	RETAINER PIN CAP	2
7	CO2 VALVE ASSY	1
8	MAGAZINE SCREWS	2
9	CO2 VALVE SCREWS	2
10	MAG COUNTER SCREW	1
11	MAG BALL RETAINER PIN	1
12	MAGAZINE SPRING	1
13	MAG BALL RETAINER SPRING	1
14	MAG COUNT RETN. SPRING	1



# CO2 VALVE HOUSING

ITEM NO.	DESCRIPTION	QTY.
1	CO2 VALVE HOUSING	1
2	CO2 VALVE BUSHING	1
3	CO2 VALVE	1
4	CO2 PUNCTURE BODY	1
5	CO2 SEAL	1
6	CO2 PUNCTURE TIP	1
7	CO2 HOUSING O-RING	1
8	CO2 VALVE O-RING	1
9	CO2 BUSHING O-RING	1
10	CO2 VALVE SPRING	1

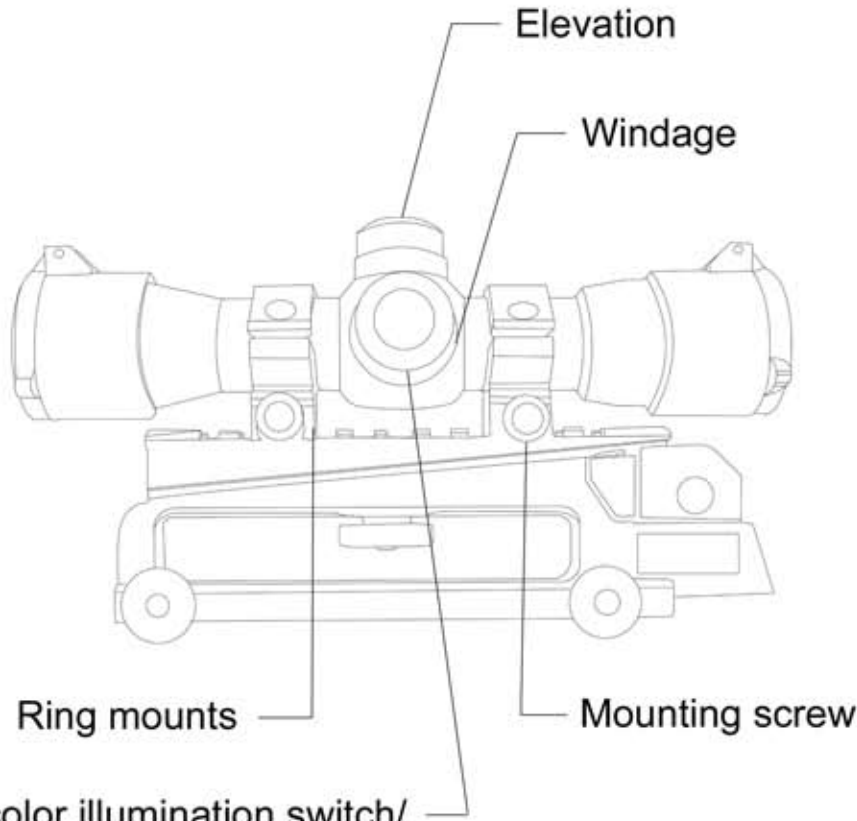
Assemble CO2 valve spring (10) into CO2 valve (3) and around the CO2 puncture tip.



## T9 OPTIONAL EQUIPMENT

### Tactical Scope

Battery type: 1xCR2032 3V Lithium Battery

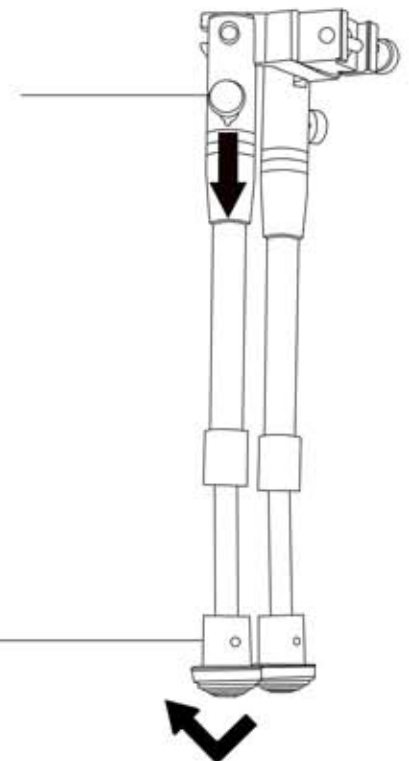


Dual color illumination switch/  
Battery compartment

### Bipod

Press down to fold/unfold legs.

Twist to lock/unlock for leg  
length adjustment.



Tiberius Arms : 2717 Ferguson Rd : Fort Wayne, IN 46809  
ph: 888.982.2842 [www.tiberiusarms.com](http://www.tiberiusarms.com)