

NOTES:

1. Installed on 03/25/2009. Boring advanced with 3.25-inch (I.D.) hollow stem augers.
2. Refer to boring log for overburden stratigraphy.

PLOT DATE: 10/21/2009 USER: FLYNN, RENEE V:\1755\ACTIVE\175569038\GEOTECHNICAL\DRAWING\INSTRUMENT\69038C-USF-301-PZBA1.DWG

LOCATION:

Northing: 734,343.87
 Easting: 2,893,639.94
 Ground Elevation: 1145.4 feet

Locations provided by TVA,
 Power Systems Operations,
 Surveying and Project Services.
 Horizontal Datum: NAD 27
 Vertical Datum: NGVD29

PIEZOMETER BA-1
JOHN SEVIER FOSSIL PLANT
BOTTOM ASH-POND

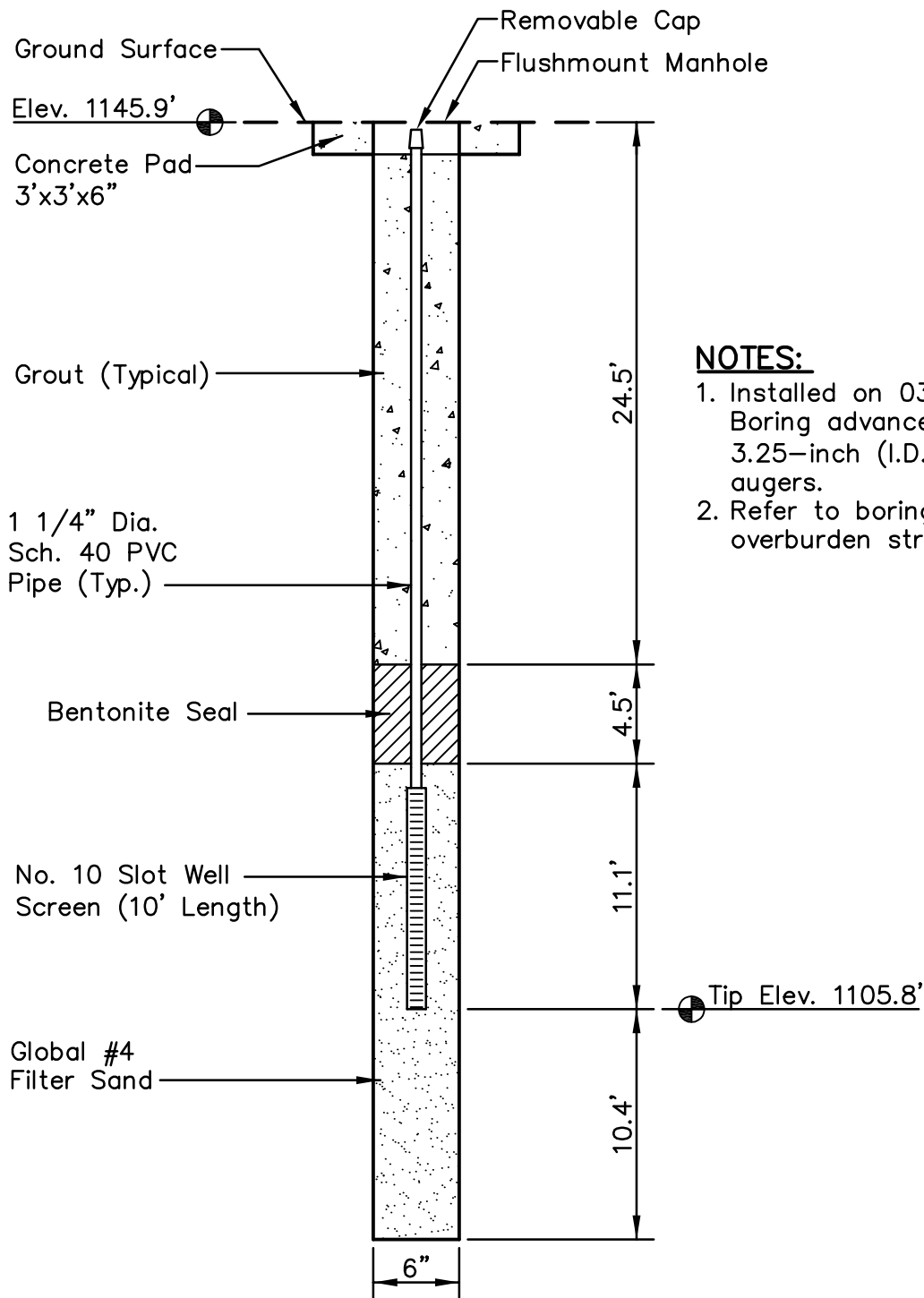


Stantec

Stantec Consulting
 Services Inc.
 1409 N. Forbes Rd.
 Lexington, Kentucky
 40511-2050
 859-422-3000

www.stantec.com

DRAWN BY	RWE	DATE	NOV., 2009	REVISED		SHEET
CHECKED BY	ARD	PROJ. NO.	175569038	1.	3.	1 OF 1
CHECKED BY	AAC	SCALE	NTS	2.	4.	



NOTES:

1. Installed on 03/26/2009. Boring advanced with 3.25-inch (I.D.) hollow stem augers.
2. Refer to boring log for overburden stratigraphy.

PLOT DATE: 10/21/2009 USER: FLYNN, RENEE V:\1755\ACTIVE\175569038\GEOTECHNICAL\DRAWING\INSTRUMENT\69038C-JSF-301-PZBA2.DWG

LOCATION:

Northing: 734,229.93
 Easting: 2,893,695.53
 Ground Elevation: 1145.9 feet

Locations provided by TVA,
 Power Systems Operations,
 Surveying and Project Services.
 Horizontal Datum: NAD 27
 Vertical Datum: NGVD29

PIEZOMETER BA-2
JOHN SEVIER FOSSIL PLANT
BOTTOM ASH-POND



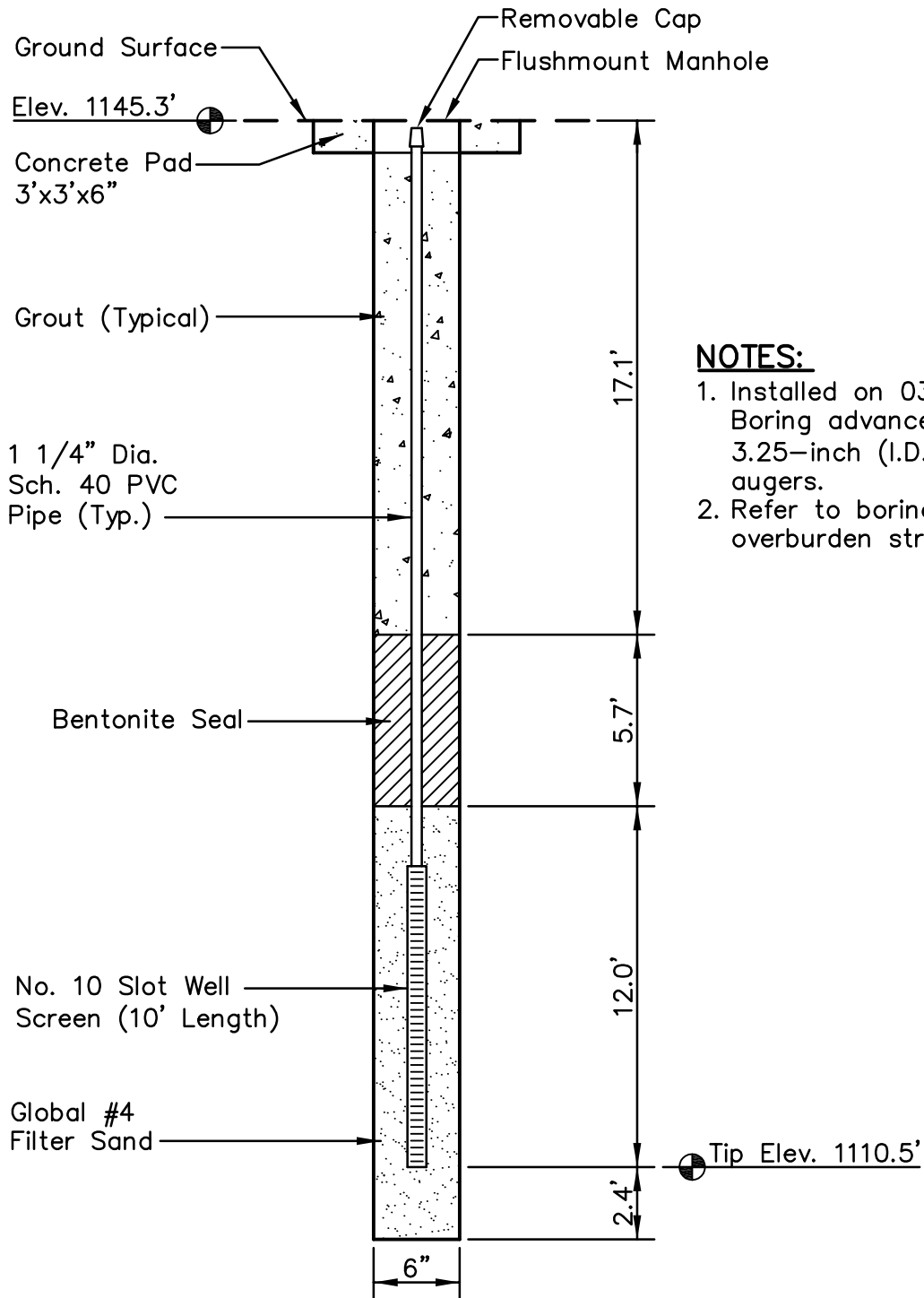
Stantec

Stantec Consulting
 Services Inc.
 1409 N. Forbes Rd.
 Lexington, Kentucky
 40511-2050
 859-422-3000

www.stantec.com

DRAWN BY	RWE	DATE	NOV., 2009	REVISED		SHEET
CHECKED BY	ARD	PROJ. NO.	175569038	1.	3.	
CHECKED BY	AAC	SCALE	NTS	2.	4.	

1 OF 1



NOTES:

1. Installed on 03/31/2009. Boring advanced with 3.25-inch (I.D.) hollow stem augers.
2. Refer to boring log for overburden stratigraphy.

PLOT DATE: 10/21/2009 USER: FLYNN, RENEE V:\1755\ACTIVE\175569038\GEOTECHNICAL\DRAWING\INSTRUMENT\69038C-JSF-301-PZBA3.DWG

LOCATION:

Northing: 733,939.03
 Easting: 2,893,286.73
 Ground Elevation: 1145.3 feet

Locations provided by TVA,
 Power Systems Operations,
 Surveying and Project Services.
 Horizontal Datum: NAD 27
 Vertical Datum: NGVD29

PIEZOMETER BA-3
JOHN SEVIER FOSSIL PLANT
BOTTOM ASH-POND

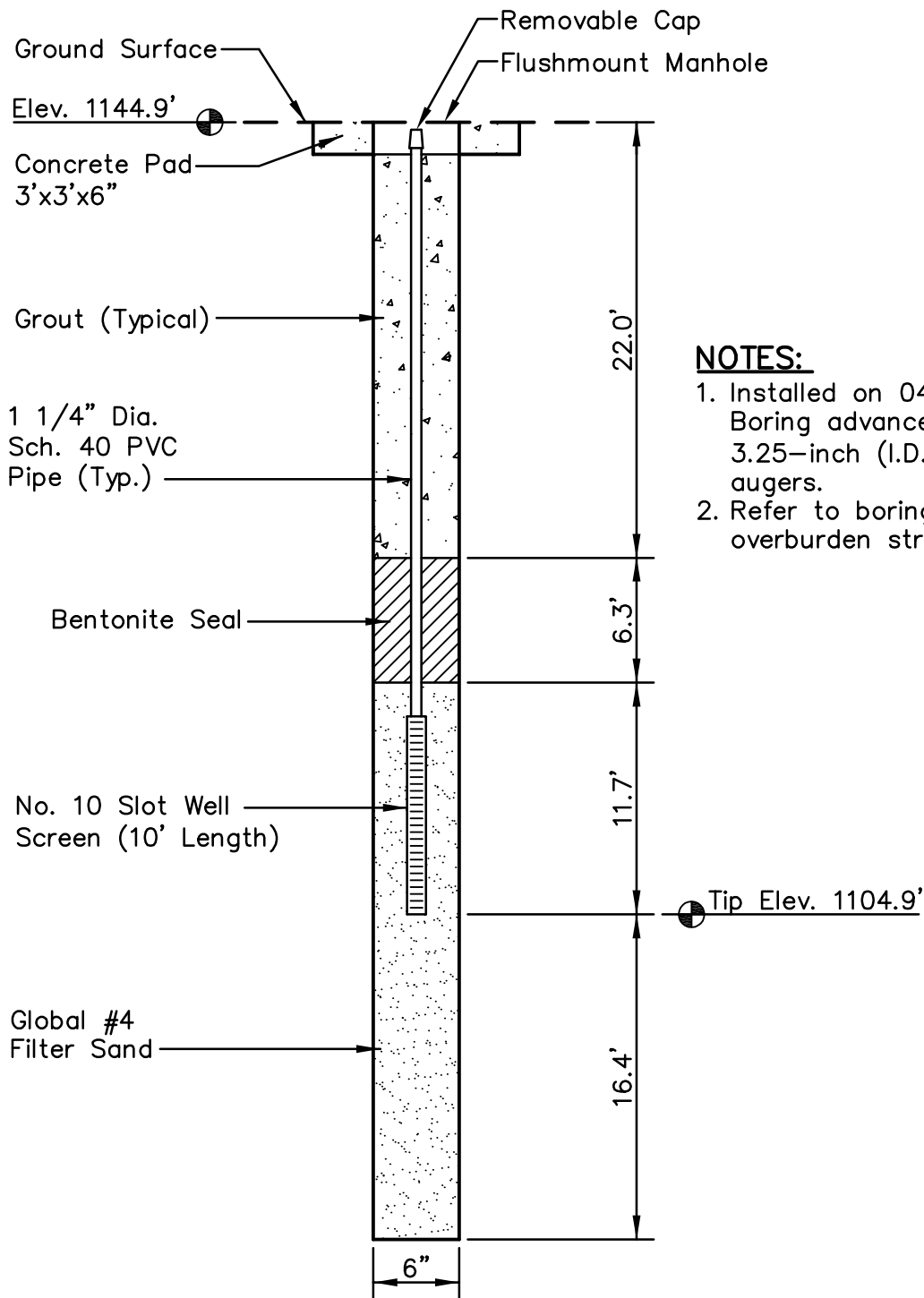


Stantec

Stantec Consulting
 Services Inc.
 1409 N. Forbes Rd.
 Lexington, Kentucky
 40511-2050
 859-422-3000

www.stantec.com

DRAWN BY	RWE	DATE	NOV., 2009	REVISED		SHEET
CHECKED BY	ARD	PROJ. NO.	175569038	1.	3.	1 OF 1
CHECKED BY	AAC	SCALE	NTS	2.	4.	



NOTES:

1. Installed on 04/02/2009. Boring advanced with 3.25-inch (I.D.) hollow stem augers.
2. Refer to boring log for overburden stratigraphy.

PLOT DATE: 10/21/2009 USER: FLYNN, RENEE V:\1755\ACTIVE\175569038\GEOTECHNICAL\DRAWING\INSTRUMENT\69038C-JSF-301-FZBA5.DWG

LOCATION:

Northing: 733,604.48
 Easting: 2,889,750.33
 Ground Elevation: 1144.9 feet

Locations provided by TVA, Power Systems Operations, Surveying and Project Services.
 Horizontal Datum: NAD 27
 Vertical Datum: NGVD29

**PIEZOMETER BA-5
 JOHN SEVIER FOSSIL PLANT
 BOTTOM ASH-POND**

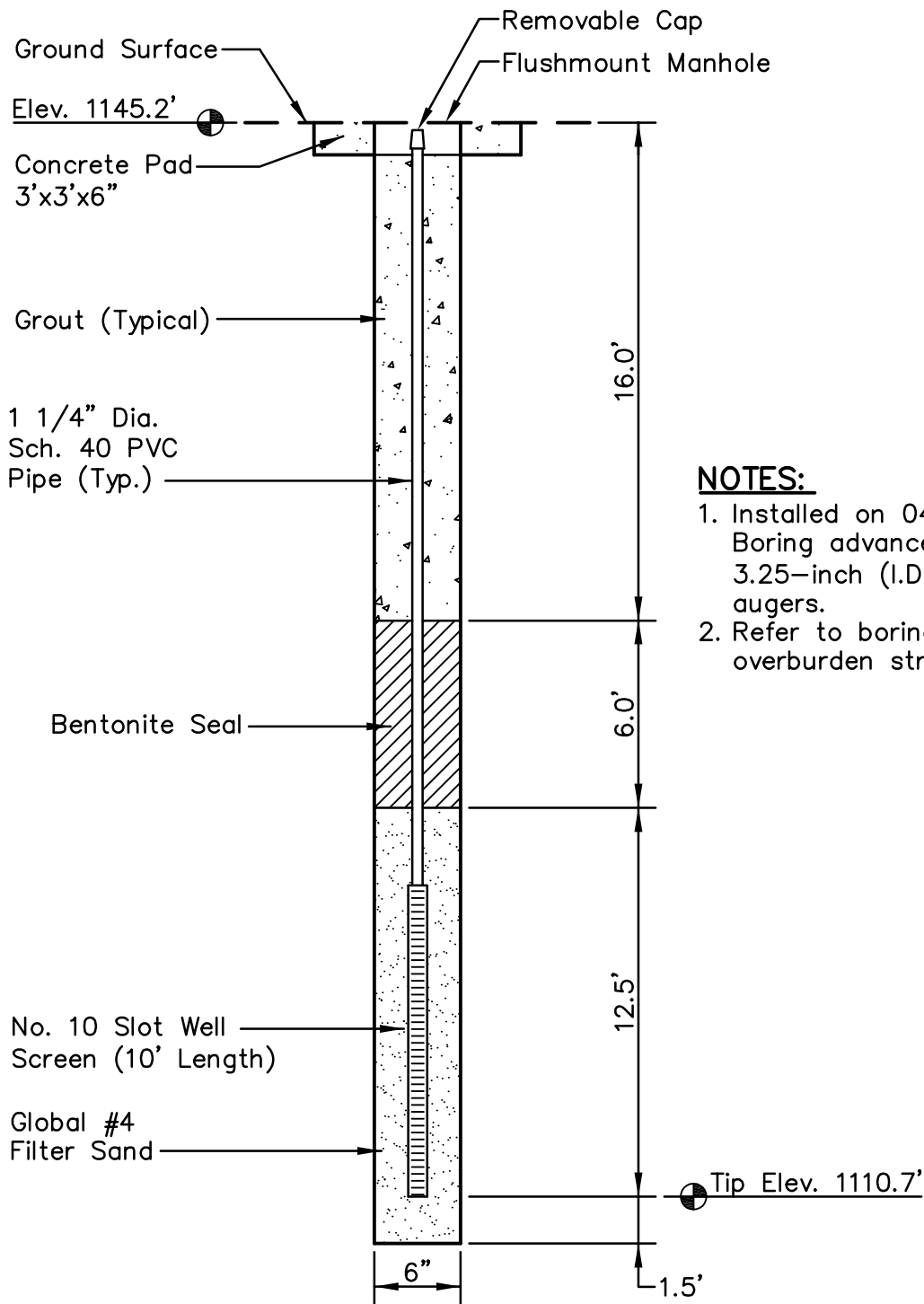


Stantec

Stantec Consulting Services Inc.
 1409 N. Forbes Rd.
 Lexington, Kentucky
 40511-2050
 859-422-3000

www.stantec.com

DRAWN BY	RWE	DATE	NOV., 2009	REVISED		SHEET
CHECKED BY	ARD	PROJ. NO.	175569038	1.	3.	1 OF 1
CHECKED BY	AAC	SCALE	NTS	2.	4.	



NOTES:

1. Installed on 04/03/2009. Boring advanced with 3.25-inch (I.D.) hollow stem augers.
2. Refer to boring log for overburden stratigraphy.

PLOT DATE: 10/21/2009 USER: FLYNN, RENEE V:\1755\ACTIVE\175569038\GEOTECHNICAL\DRAWING\INSTRUMENT\69038C-JSF-301-FZBA8.DWG

LOCATION:

Northing: 733,946.71
 Easting: 2,891,566.83
 Ground Elevation: 1145.2 feet

Locations provided by TVA, Power Systems Operations, Surveying and Project Services.
 Horizontal Datum: NAD 27
 Vertical Datum: NGVD29

**PIEZOMETER BA-8
 JOHN SEVIER FOSSIL PLANT
 BOTTOM ASH-POND**

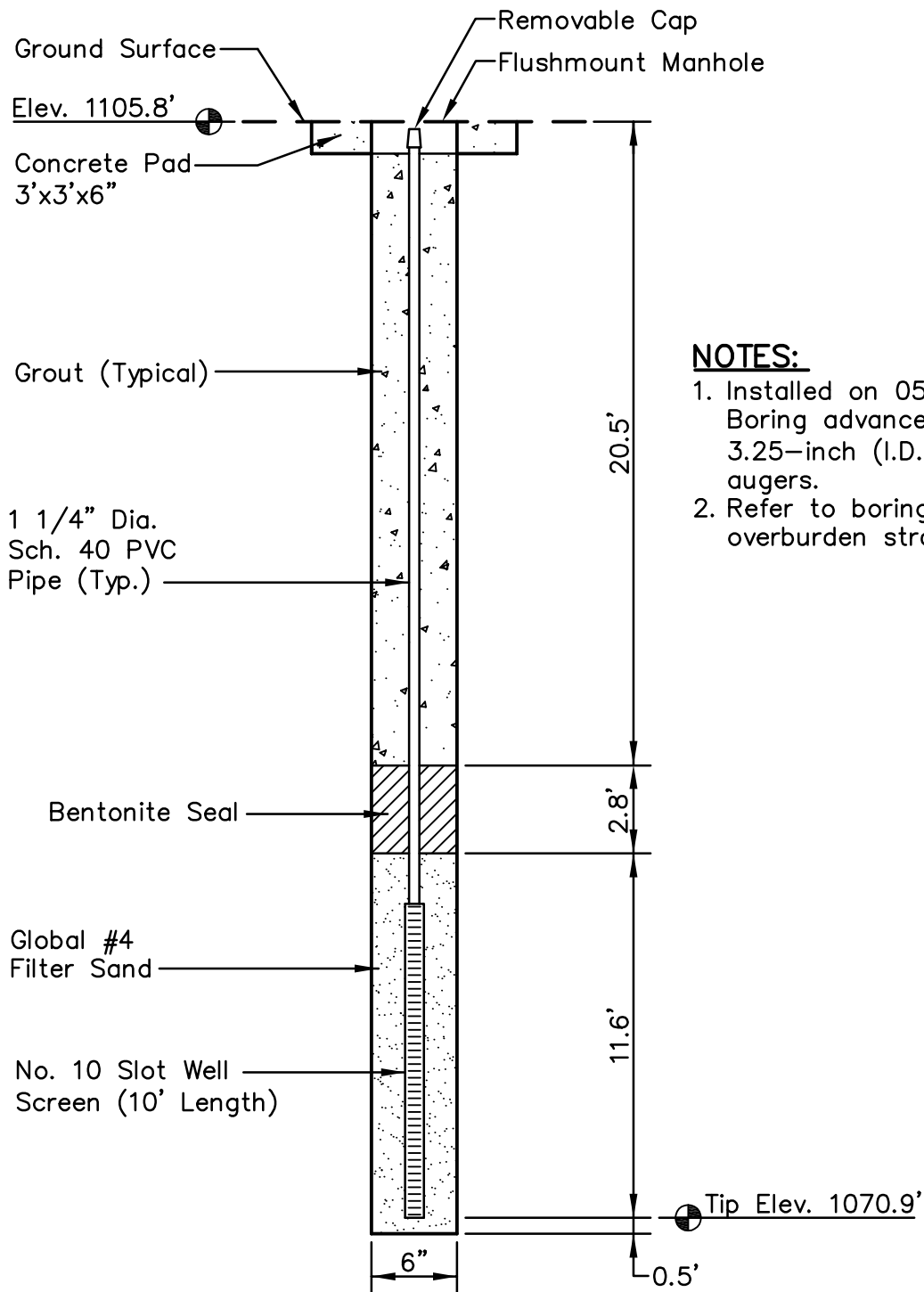


Stantec

Stantec Consulting Services Inc.
 1409 N. Forbes Rd.
 Lexington, Kentucky
 40511-2050
 859-422-3000

www.stantec.com

DRAWN BY	RWE	DATE	NOV., 2009	REVISED		SHEET
CHECKED BY	ARD	PROJ. NO.	175569038	1.	3.	1 OF 1
CHECKED BY	AAC	SCALE	NTS	2.	4.	



NOTES:

1. Installed on 05/12/2009. Boring advanced with 3.25-inch (I.D.) hollow stem augers.
2. Refer to boring log for overburden stratigraphy.

PLOT DATE: 10/21/2009 USER: FLYNN, RENEE V:\1755\ACTIVE\175569038\GEOTECHNICAL\DRAWING\INSTRUMENT\69038C-JSF-301-PZJP3.DWG

LOCATION:

Northing: 733,483.09
 Easting: 2,886,974.16
 Ground Elevation: 1105.8 feet

Locations provided by TVA,
 Power Systems Operations,
 Surveying and Project Services.
 Horizontal Datum: NAD 27
 Vertical Datum: NGVD29

PIEZOMETER JP-3
JOHN SEVIER FOSSIL PLANT
J-POND



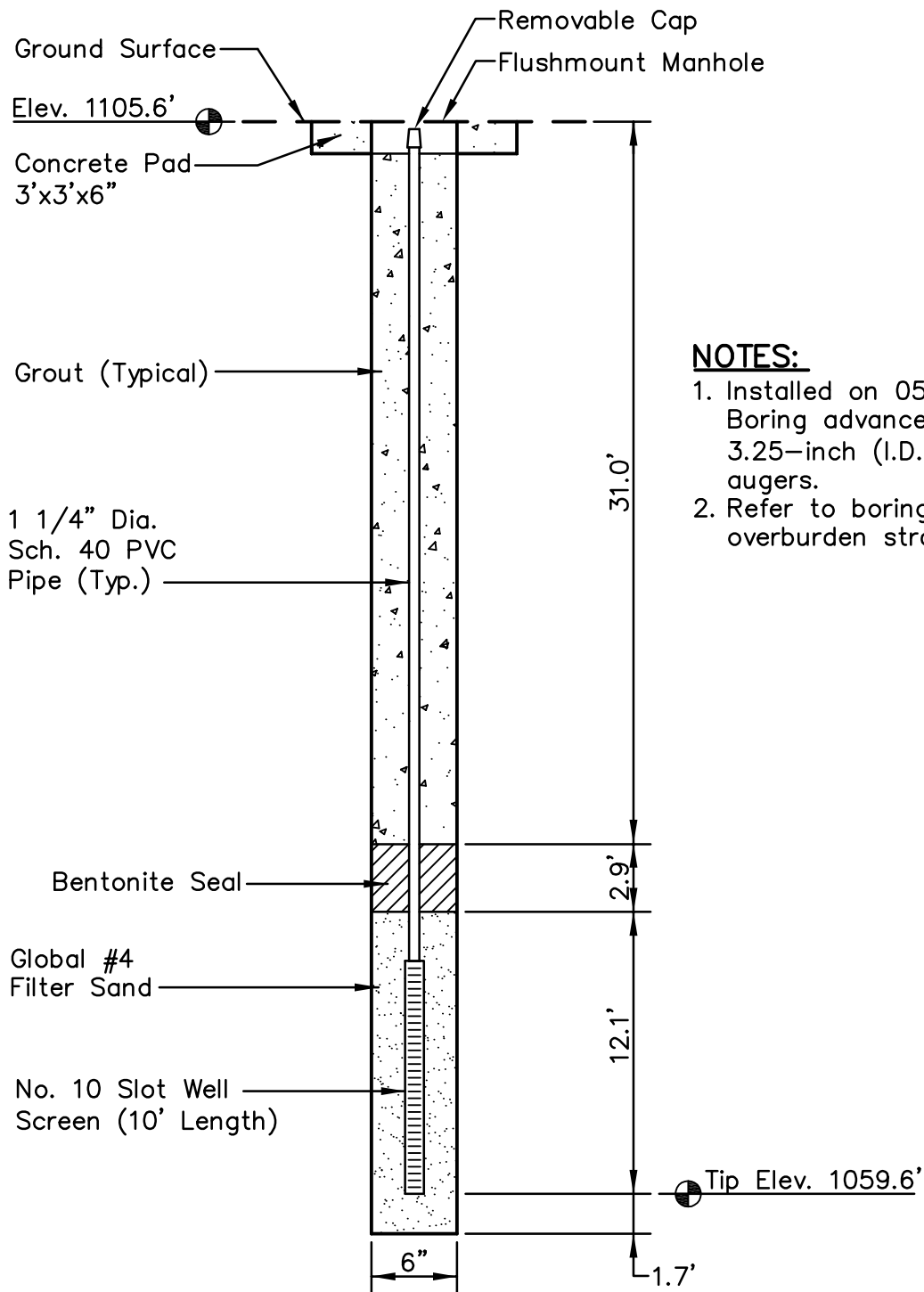
Stantec

Stantec Consulting
 Services Inc.
 1409 N. Forbes Rd.
 Lexington, Kentucky
 40511-2050
 859-422-3000

www.stantec.com

DRAWN BY	RWE	DATE	NOV., 2009	REVISED		SHEET
CHECKED BY	ARD	PROJ. NO.	175569038	1.	3.	
CHECKED BY	AAC	SCALE	NTS	2.	4.	

1 OF 1



NOTES:

1. Installed on 05/12/2009. Boring advanced with 3.25-inch (I.D.) hollow stem augers.
2. Refer to boring log for overburden stratigraphy.

PLOT DATE: 10/21/2009 USER: FLYNN, RENEE V:\1755\ACTIVE\175569038\GEOTECHNICAL\DRAWING\INSTRUMENT\69038C-JSF-301-PZJP4.DWG

LOCATION:

Northing: 733,323.27
 Easting: 2,886,393.14
 Ground Elevation: 1105.6 feet

Locations provided by TVA,
 Power Systems Operations,
 Surveying and Project Services.
 Horizontal Datum: NAD 27
 Vertical Datum: NGVD29

PIEZOMETER JP-4
JOHN SEVIER FOSSIL PLANT
J-POND

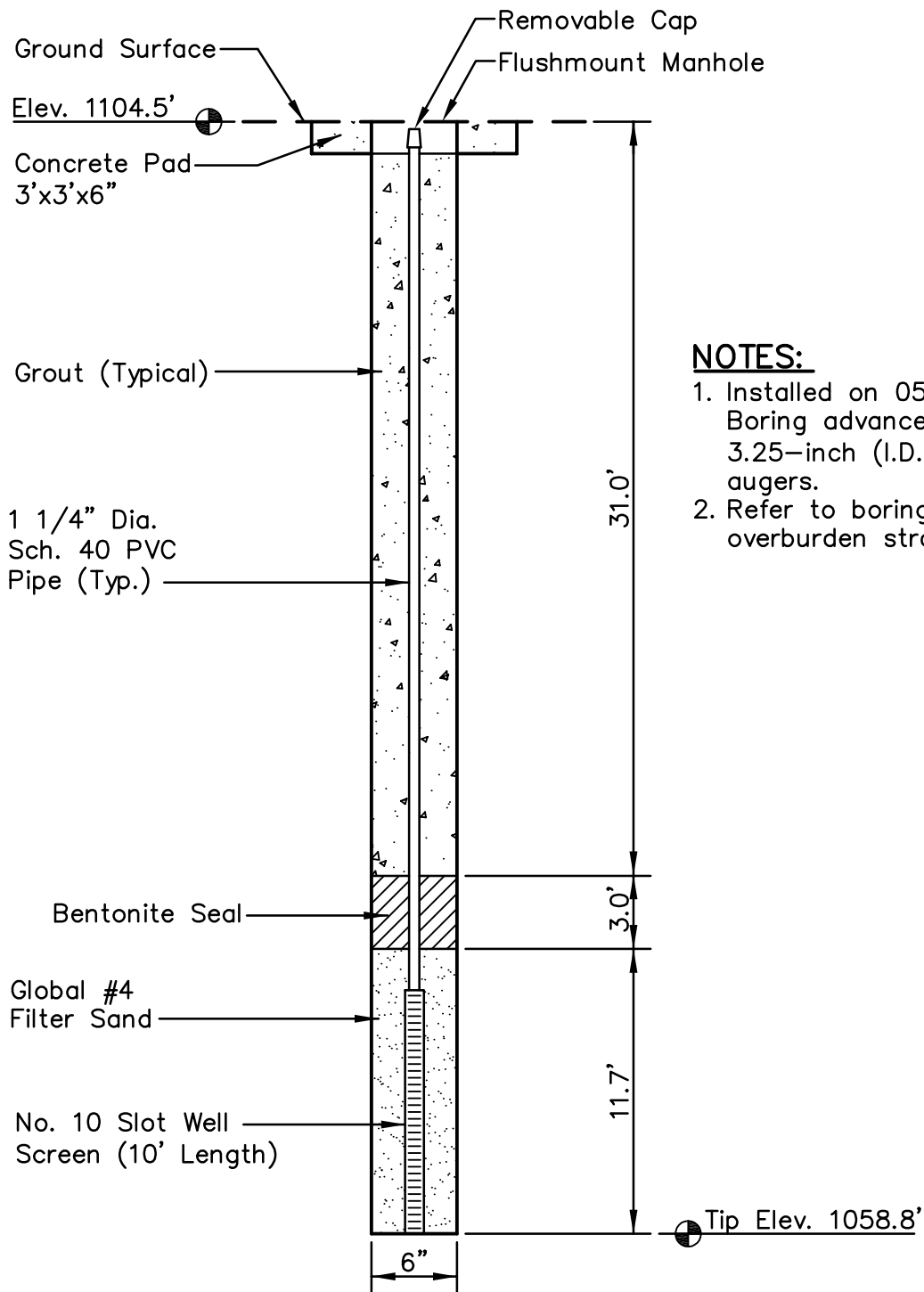


Stantec

Stantec Consulting
 Services Inc.
 1409 N. Forbes Rd.
 Lexington, Kentucky
 40511-2050
 859-422-3000

www.stantec.com

DRAWN BY	RWE	DATE	Nov., 2009	REVISED		SHEET
CHECKED BY	ARD	PROJ. NO.	175569038	1.	3.	1 OF 1
CHECKED BY	AAC	SCALE	NTS	2.	4.	



NOTES:

1. Installed on 05/13/2009. Boring advanced with 3.25-inch (I.D.) hollow stem augers.
2. Refer to boring log for overburden stratigraphy.

PLOT DATE: 10/21/2009 USER: FLYNN, RENEE V:\1755\ACTIVE\175569038\GEOTECHNICAL\DRAWING\INSTRUMENT\69038C-JSF-301-PZJP5.DWG

LOCATION:

Northing: 732,679.06
 Easting: 2,886,045.57
 Ground Elevation: 1104.5 feet

Locations provided by TVA,
 Power Systems Operations,
 Surveying and Project Services.
 Horizontal Datum: NAD 27
 Vertical Datum: NGVD29

PIEZOMETER JP-5
JOHN SEVIER FOSSIL PLANT
J-POND

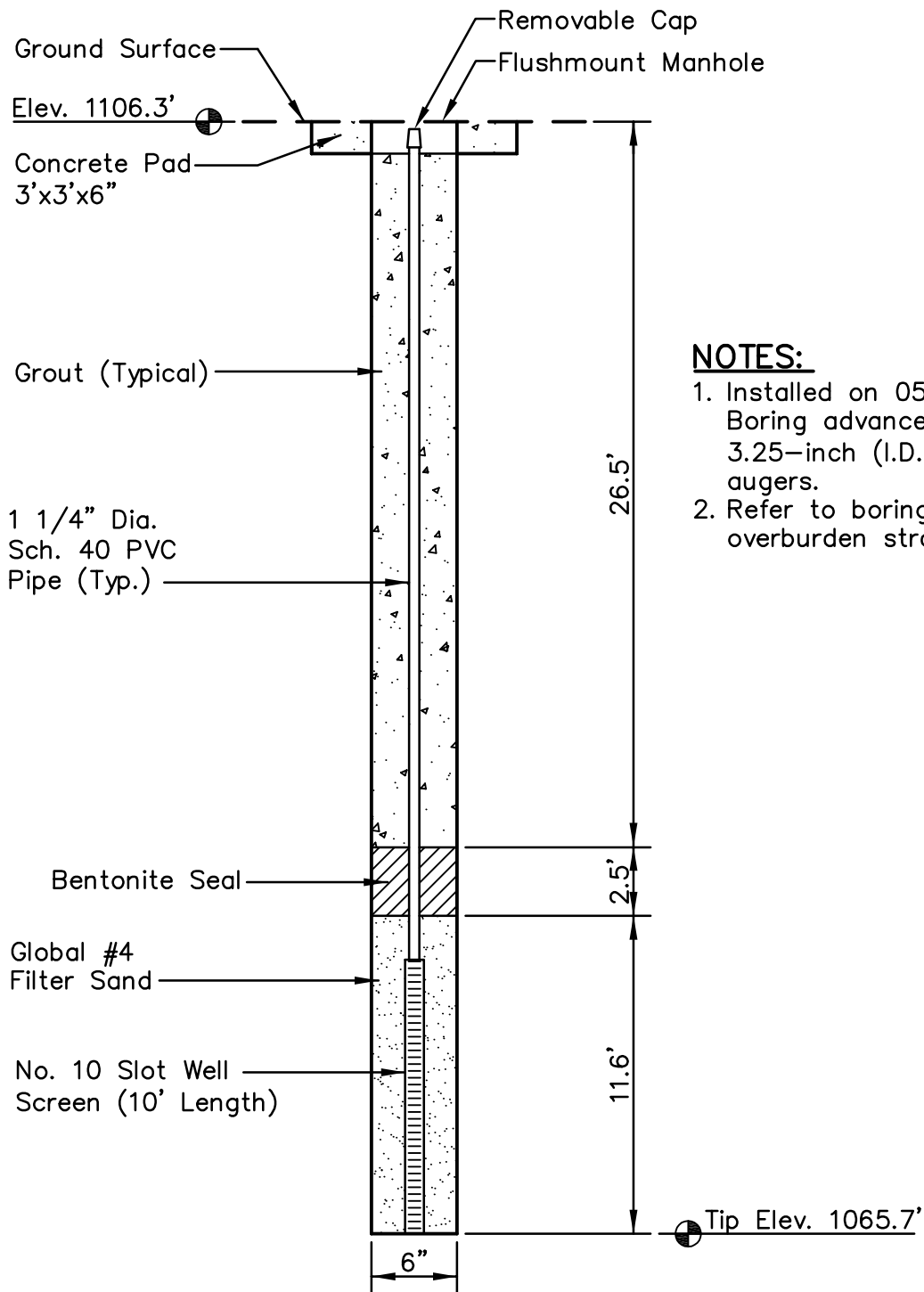


Stantec

Stantec Consulting
 Services Inc.
 1409 N. Forbes Rd.
 Lexington, Kentucky
 40511-2050
 859-422-3000

www.stantec.com

DRAWN BY	RWE	DATE	NOV., 2009	REVISED		SHEET
CHECKED BY	ARD	PROJ. NO.	175569038	1.	3.	1 OF 1
CHECKED BY	AAC	SCALE	NTS	2.	4.	



NOTES:

1. Installed on 05/13/2009. Boring advanced with 3.25-inch (I.D.) hollow stem augers.
2. Refer to boring log for overburden stratigraphy.

PLOT DATE: 10/21/2009 USER: FLYNN, RENEE V:\1755\ACTIVE\175569038\GEOTECHNICAL\DRAWING\INSTRUMENT\69038C-JSF-301-PZJP6.DWG

LOCATION:

Northing: 732,862.78
 Easting: 2,886,526.80
 Ground Elevation: 1106.3 feet

Locations provided by TVA,
 Power Systems Operations,
 Surveying and Project Services.
 Horizontal Datum: NAD 27
 Vertical Datum: NGVD29

PIEZOMETER JP-6
JOHN SEVIER FOSSIL PLANT
J-POND

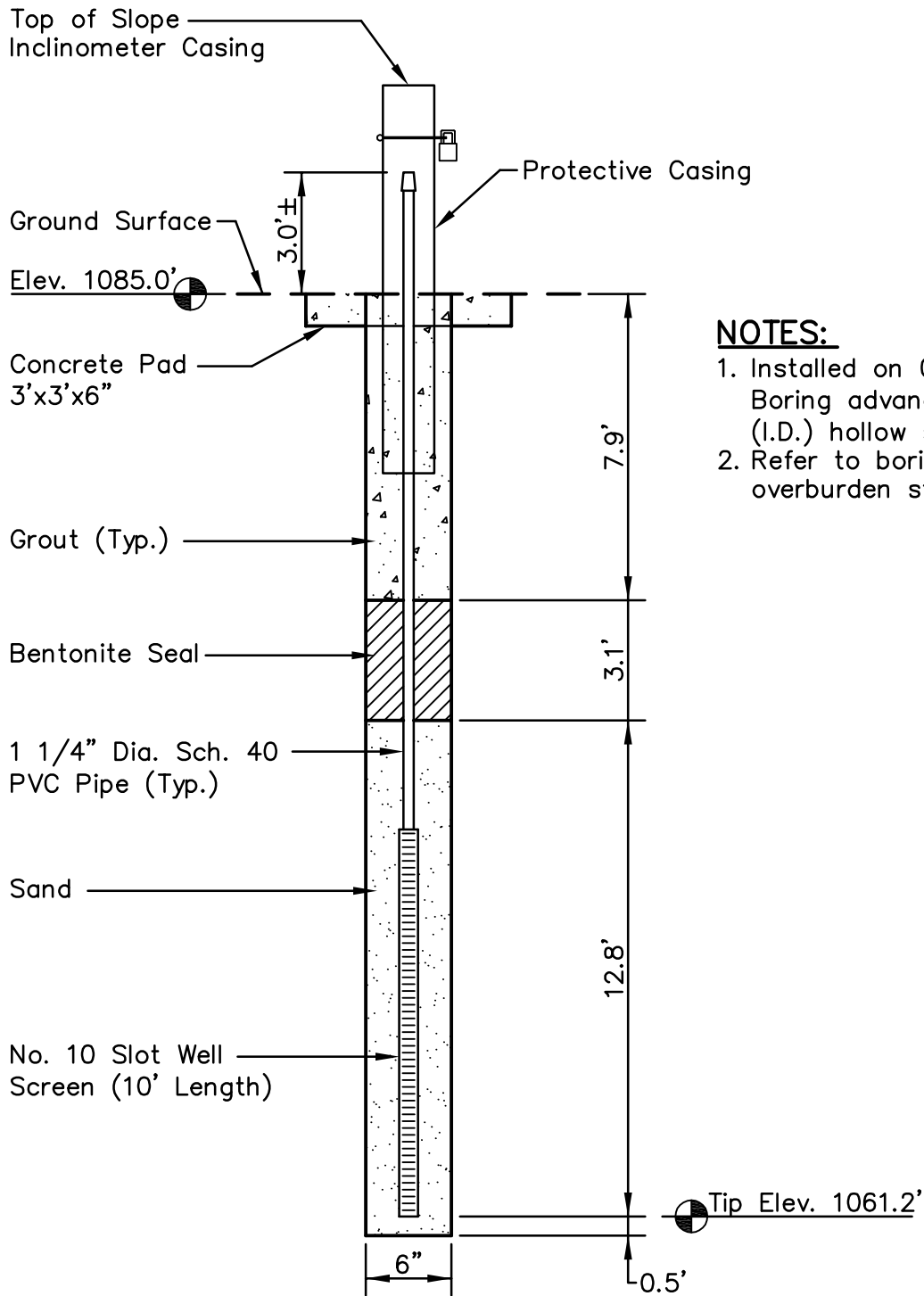


Stantec

Stantec Consulting
 Services Inc.
 1409 N. Forbes Rd.
 Lexington, Kentucky
 40511-2050
 859-422-3000

www.stantec.com

DRAWN BY	RWE	DATE	NOV., 2009	REVISED		SHEET
CHECKED BY	ARD	PROJ. NO.	175569038	1.	3.	1 OF 1
CHECKED BY	AAC	SCALE	NTS	2.	4.	



NOTES:

1. Installed on 04/17/2009. Boring advanced with 3.25" (I.D.) hollow stem augers.
2. Refer to boring log for overburden stratigraphy.

PLOT DATE: 10/21/2009 USER: FLYNN, RENEE V:\1755\ACTIVE\175569038\GEOTECHNICAL\DRAWING\INSTRUMENT\69038C-JSF-301-PZJS10.DWG

LOCATION:

Northing: 736,877.33
 Easting: 2,892,782.32
 Ground Elevation: 1085.0 feet

Locations provided by TVA,
 Power Systems Operations,
 Surveying and Project Services.
 Horizontal Datum: NAD 27
 Vertical Datum: NGVD29

PIEZOMETER JS-10
JOHN SEVIER FOSSIL PLANT
MAIN ASH STACK

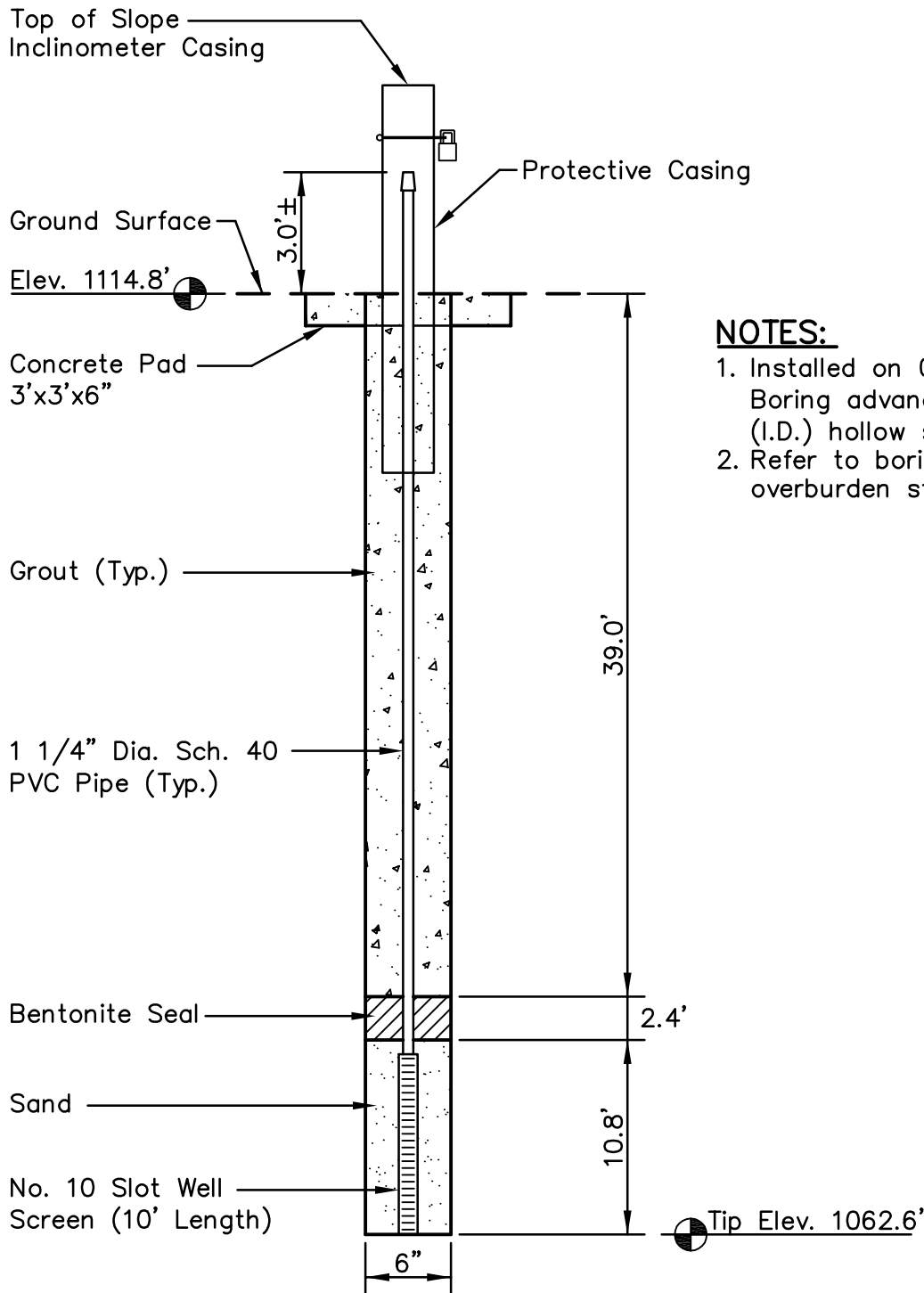


Stantec

Stantec Consulting
 Services Inc.
 1409 N. Forbes Rd.
 Lexington, Kentucky
 40511-2050
 859-422-3000

www.stantec.com

DRAWN BY	JRF	DATE	NOV., 2009	REVISED		SHEET
CHECKED BY	ARD	PROJ. NO.	175569038	1.	3.	1 OF 1
CHECKED BY	AAC	SCALE	NTS	2.	4.	



NOTES:

1. Installed on 05/02/2009. Boring advanced with 3.25" (I.D.) hollow stem augers.
2. Refer to boring log for overburden stratigraphy.

PLOT DATE: 10/21/2009 USER: FLYNN, RENEE V:\1755\ACTIVE\175569038\GEOTECHNICAL\DRAWING\INSTRUMENT\69038C-USF-301-FZJS12.DWG

LOCATION:

Northing: 736,796.96
 Easting: 2,892,666.90
 Ground Elevation: 1114.8 feet

Locations provided by TVA,
 Power Systems Operations,
 Surveying and Project Services.
 Horizontal Datum: NAD 27
 Vertical Datum: NGVD29

PIEZOMETER JS-12
JOHN SEVIER FOSSIL PLANT
MAIN ASH STACK

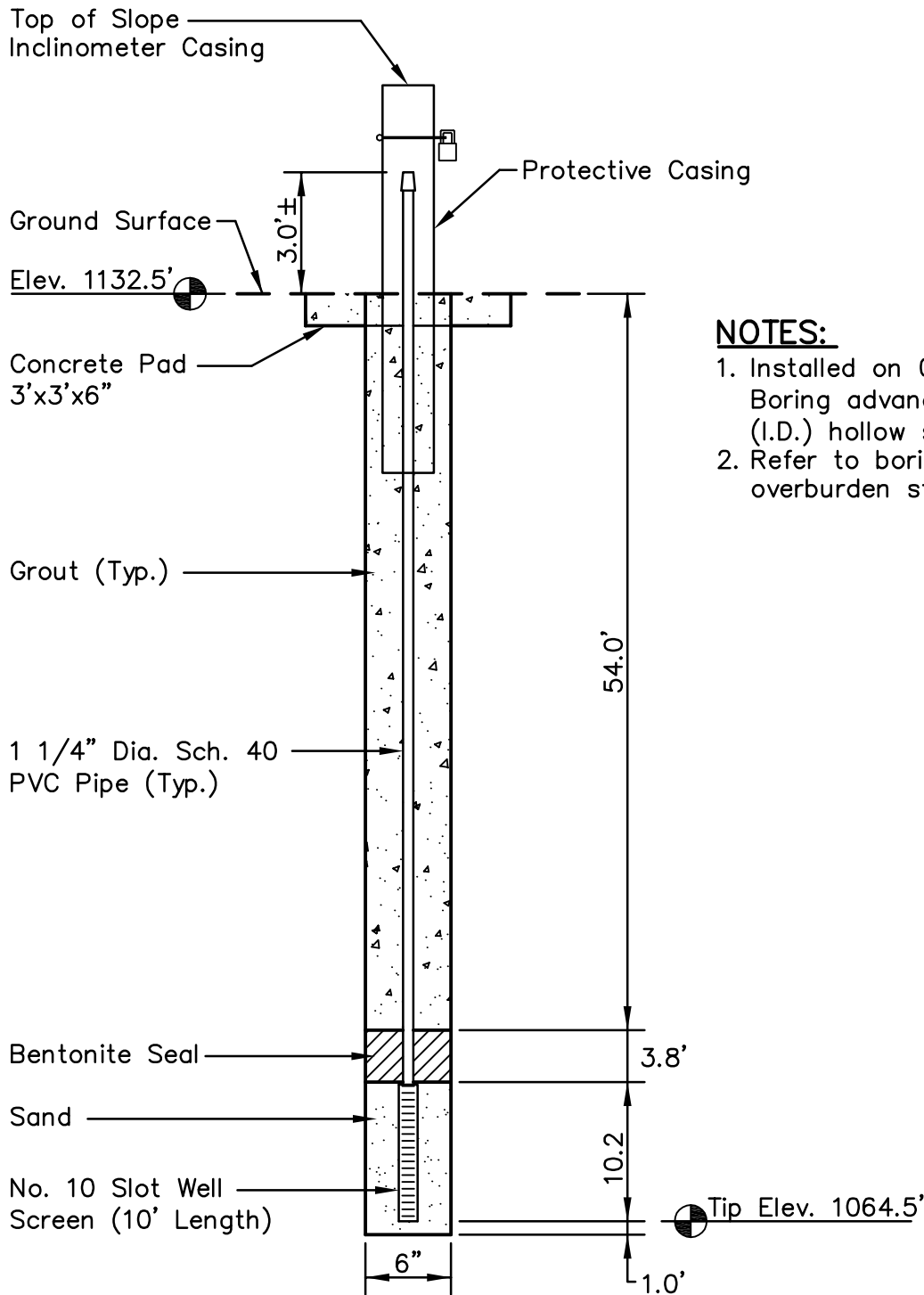


Stantec

Stantec Consulting
 Services Inc.
 1409 N. Forbes Rd.
 Lexington, Kentucky
 40511-2050
 859-422-3000

www.stantec.com

DRAWN BY	JRF	DATE	NOV., 2009	REVISED		SHEET
CHECKED BY	ARD	PROJ. NO.	175569038	1.	3.	1 OF 1
CHECKED BY	AAC	SCALE	NTS	2.	4.	



NOTES:

1. Installed on 05/19/2009. Boring advanced with 3.25" (I.D.) hollow stem augers.
2. Refer to boring log for overburden stratigraphy.

PLOT DATE: 10/21/2009 USER: FLYNN, RENEE V:\1755\ACTIVE\175569038\GEOTECHNICAL\DRAWING\INSTRUMENT\69038C-USF-301-PZJS13.DWG

LOCATION:

Northing: 736,741.69
 Easting: 2,892,570.62
 Ground Elevation: 1132.5 feet

Locations provided by TVA,
 Power Systems Operations,
 Surveying and Project Services.
 Horizontal Datum: NAD 27
 Vertical Datum: NGVD29

PIEZOMETER JS-13
JOHN SEVIER FOSSIL PLANT
MAIN ASH STACK



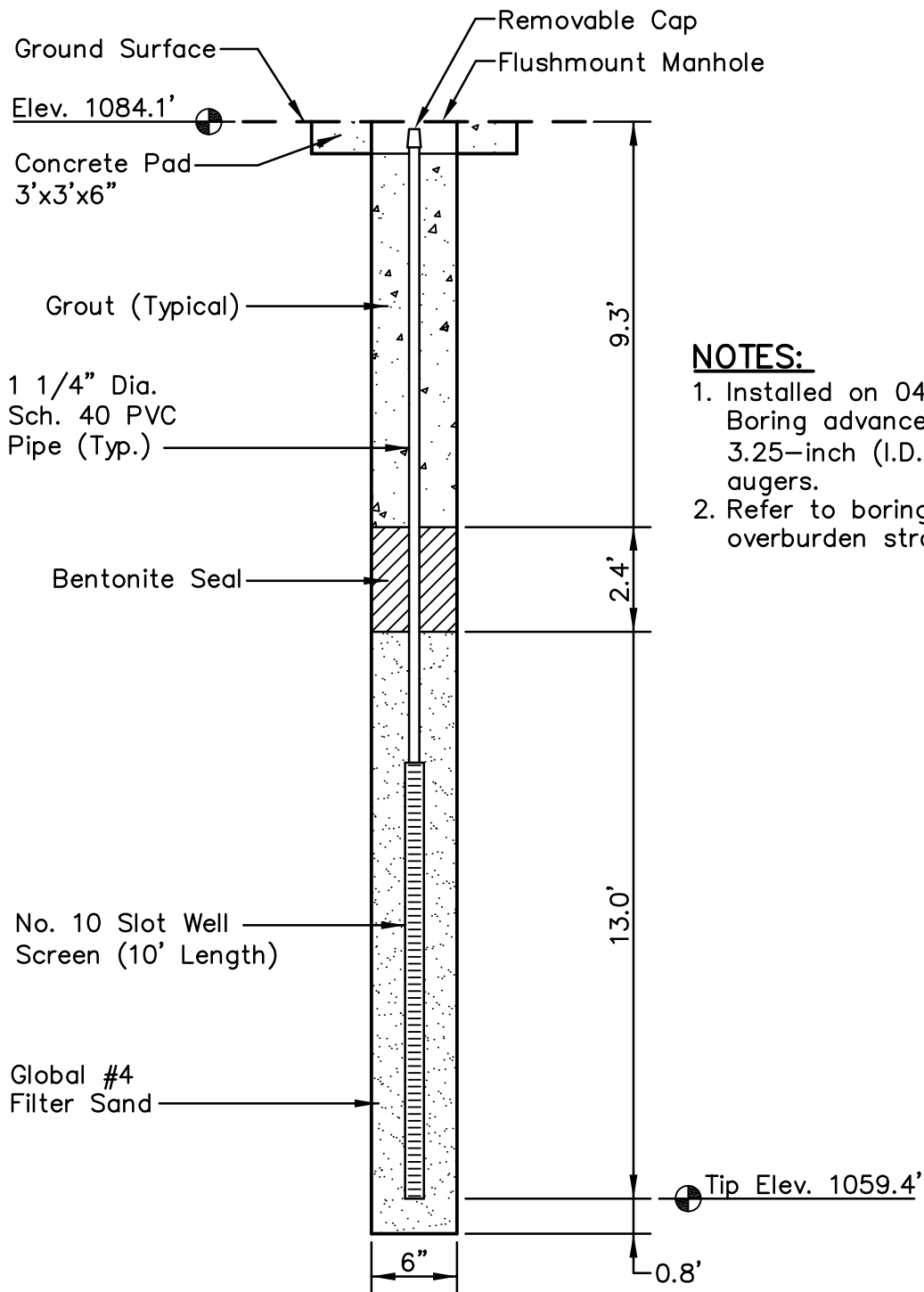
Stantec

Stantec Consulting
 Services Inc.
 1409 N. Forbes Rd.
 Lexington, Kentucky
 40511-2050
 859-422-3000

www.stantec.com

DRAWN BY	JRF	DATE	NOV., 2009	REVISED		SHEET
CHECKED BY	ARD	PROJ. NO.	175569038	1.	3.	
CHECKED BY	AAC	SCALE	NTS	2.	4.	

1 OF 1



NOTES:

1. Installed on 04/16/2009. Boring advanced with 3.25-inch (I.D.) hollow stem augers.
2. Refer to boring log for overburden stratigraphy.

PLOT DATE: 10/21/2009 USER: FLYNN, RENEE V:\1755\ACTIVE\175569038\GEOTECHNICAL\DRAWING\INSTRUMENT\69038C-JSF-301-PZJS15.DWG

LOCATION:

Northing: 737,186.07
Easting: 2,892,539.85
Ground Elevation: 1084.1 feet

Locations provided by TVA,
Power Systems Operations,
Surveying and Project Services.
Horizontal Datum: NAD 27
Vertical Datum: NGVD29

**PIEZOMETER JS-15
JOHN SEVIER FOSSIL PLANT
MAIN ASH STACK**

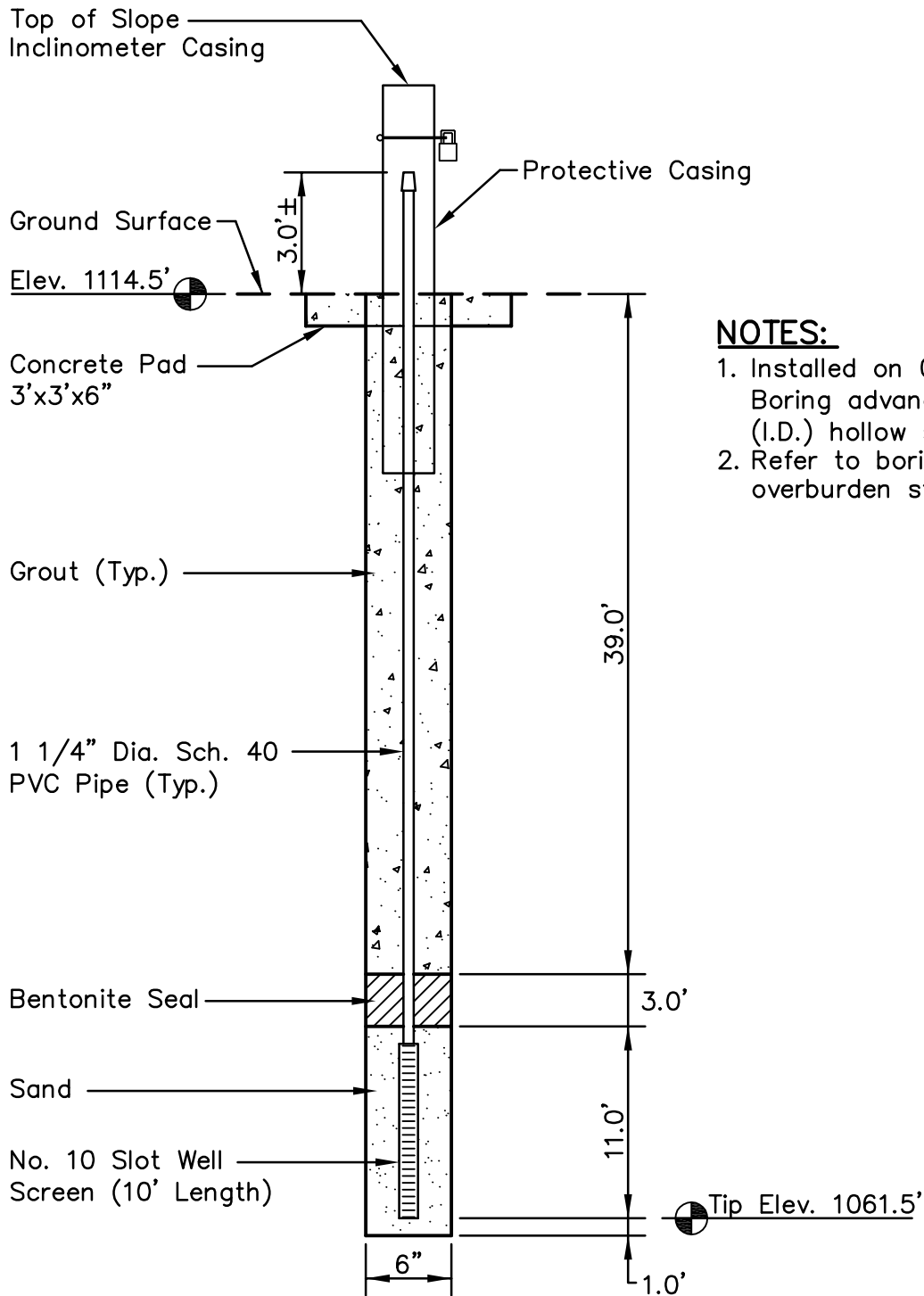


Stantec

Stantec Consulting
Services Inc.
1409 N. Forbes Rd.
Lexington, Kentucky
40511-2050
859-422-3000

www.stantec.com

DRAWN BY	RWE	DATE	NOV., 2009	REVISED		SHEET
CHECKED BY	ARD	PROJ. NO.	175569038	1.	3.	1 OF 1
CHECKED BY	AAC	SCALE	NTS	2.	4.	



NOTES:

1. Installed on 05/04/2009. Boring advanced with 3.25" (I.D.) hollow stem augers.
2. Refer to boring log for overburden stratigraphy.

PLOT DATE: 10/21/2009 USER: FLYNN, RENEE V:\1755\ACTIVE\175569038\GEOTECHNICAL\DRAWING\INSTRUMENT\69038C-JSF-301-PZJS17.DWG

LOCATION:

Northing: 737,004.19
 Easting: 2,892,496.33
 Ground Elevation: 1114.5 feet

Locations provided by TVA, Power Systems Operations, Surveying and Project Services.
 Horizontal Datum: NAD 27
 Vertical Datum: NGVD29

**PIEZOMETER JS-17
 JOHN SEVIER FOSSIL PLANT
 MAIN ASH STACK**

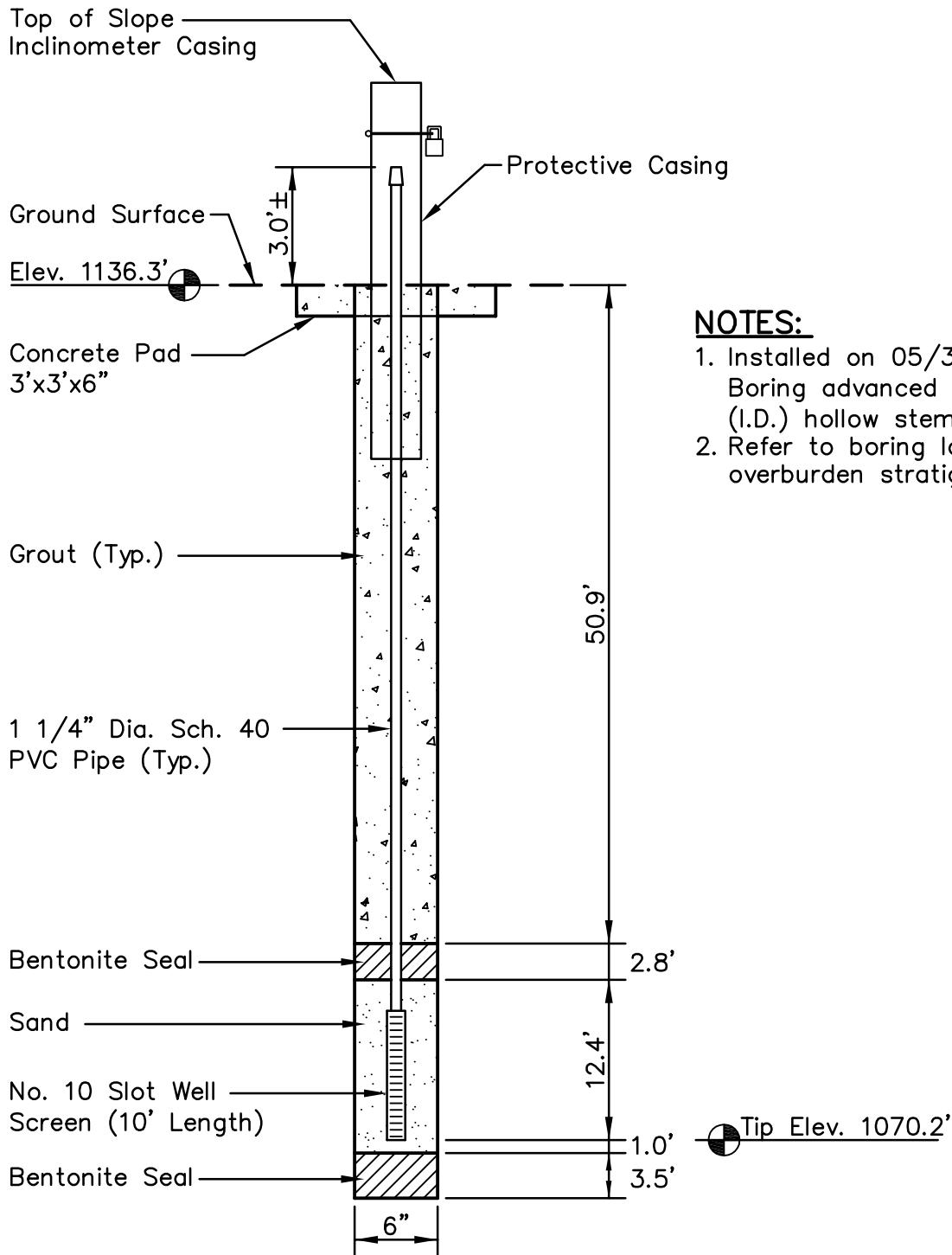


Stantec

Stantec Consulting Services Inc.
 1409 N. Forbes Rd.
 Lexington, Kentucky
 40511-2050
 859-422-3000

www.stantec.com

DRAWN BY	JRF	DATE	NOV., 2009	REVISED		SHEET
CHECKED BY	ARD	PROJ. NO.	175569038	1.	3.	1 OF 1
CHECKED BY	AAC	SCALE	NTS	2.	4.	



NOTES:

1. Installed on 05/31/2009. Boring advanced with 3.25" (I.D.) hollow stem augers.
2. Refer to boring log for overburden stratigraphy.

PLOT DATE: 10/21/2009 USER: FLYNN, RENEE V:\1755\ACTIVE\175569038\GEO\TECHNICAL\DRAWING\INSTRUMENT\69038C-JSF-301-PZJS18.DWG

LOCATION:

Northing: 736,848.84
 Easting: 2,892,429.18
 Ground Elevation: 1136.3 feet

Locations provided by TVA,
 Power Systems Operations,
 Surveying and Project Services.
 Horizontal Datum: NAD 27
 Vertical Datum: NGVD29

PIEZOMETER JS-18
JOHN SEVIER FOSSIL PLANT
MAIN ASH STACK

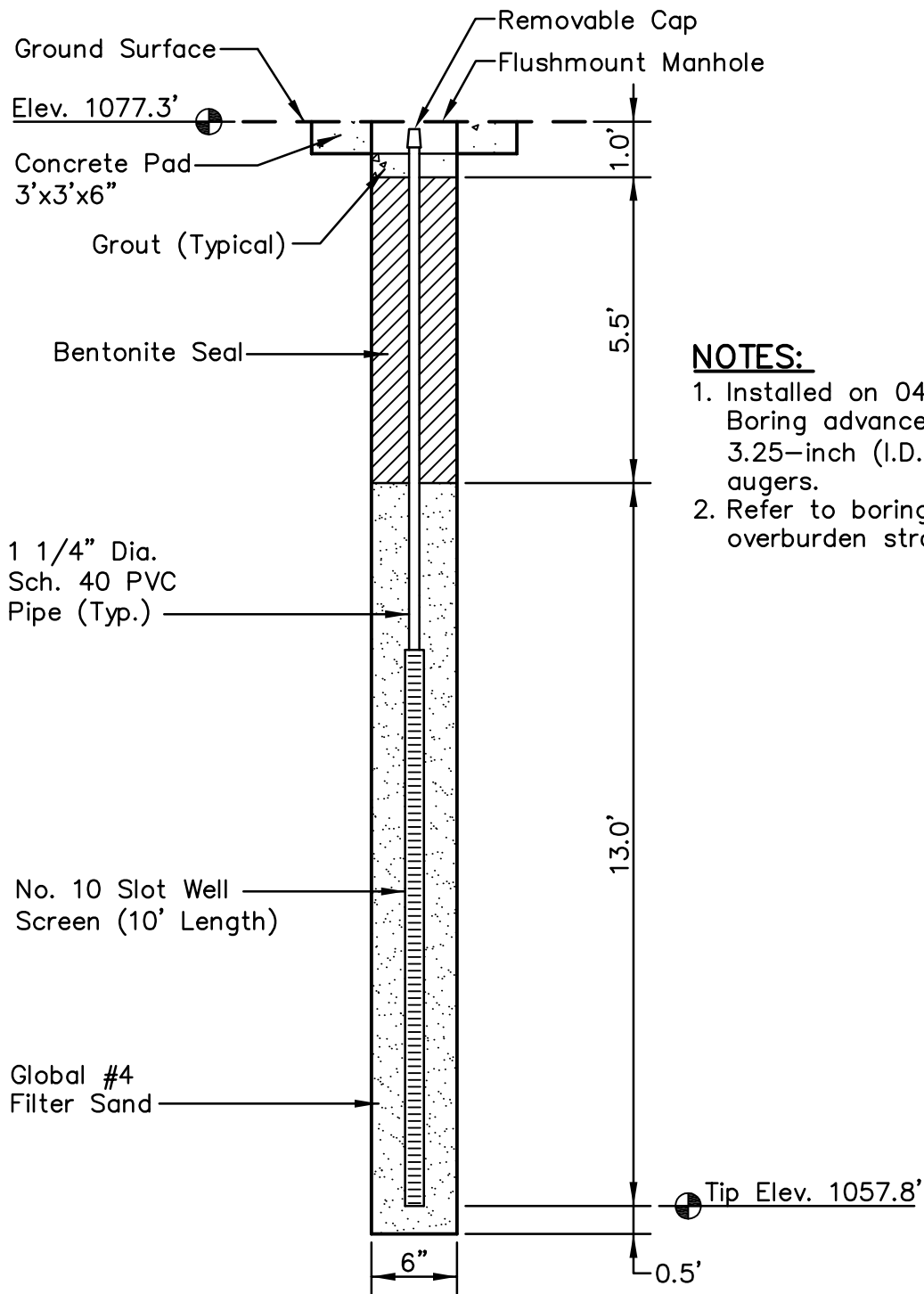


Stantec

Stantec Consulting
 Services Inc.
 1409 N. Forbes Rd.
 Lexington, Kentucky
 40511-2050
 859-422-3000

www.stantec.com

DRAWN BY	JRF	DATE	NOV., 2009	REVISED		SHEET
CHECKED BY	ARD	PROJ. NO.	175569038	1.	3.	1 OF 1
CHECKED BY	AAC	SCALE	NTS	2.	4.	



NOTES:

1. Installed on 04/16/2009. Boring advanced with 3.25-inch (I.D.) hollow stem augers.
2. Refer to boring log for overburden stratigraphy.

PLOT DATE: 10/21/2009 USER: FLYNN, RENEE V:\1755\ACTIVE\175569038\GEOTECHNICAL\DRAWING\INSTRUMENT\69038C-JSF-301-PZJS19.DWG

LOCATION:

Northing: 736,913.99
 Easting: 2,891,993.30
 Ground Elevation: 1077.3 feet

Locations provided by TVA,
 Power Systems Operations,
 Surveying and Project Services.
 Horizontal Datum: NAD 27
 Vertical Datum: NGVD29

PIEZOMETER JS-19
JOHN SEVIER FOSSIL PLANT
MAIN ASH STACK

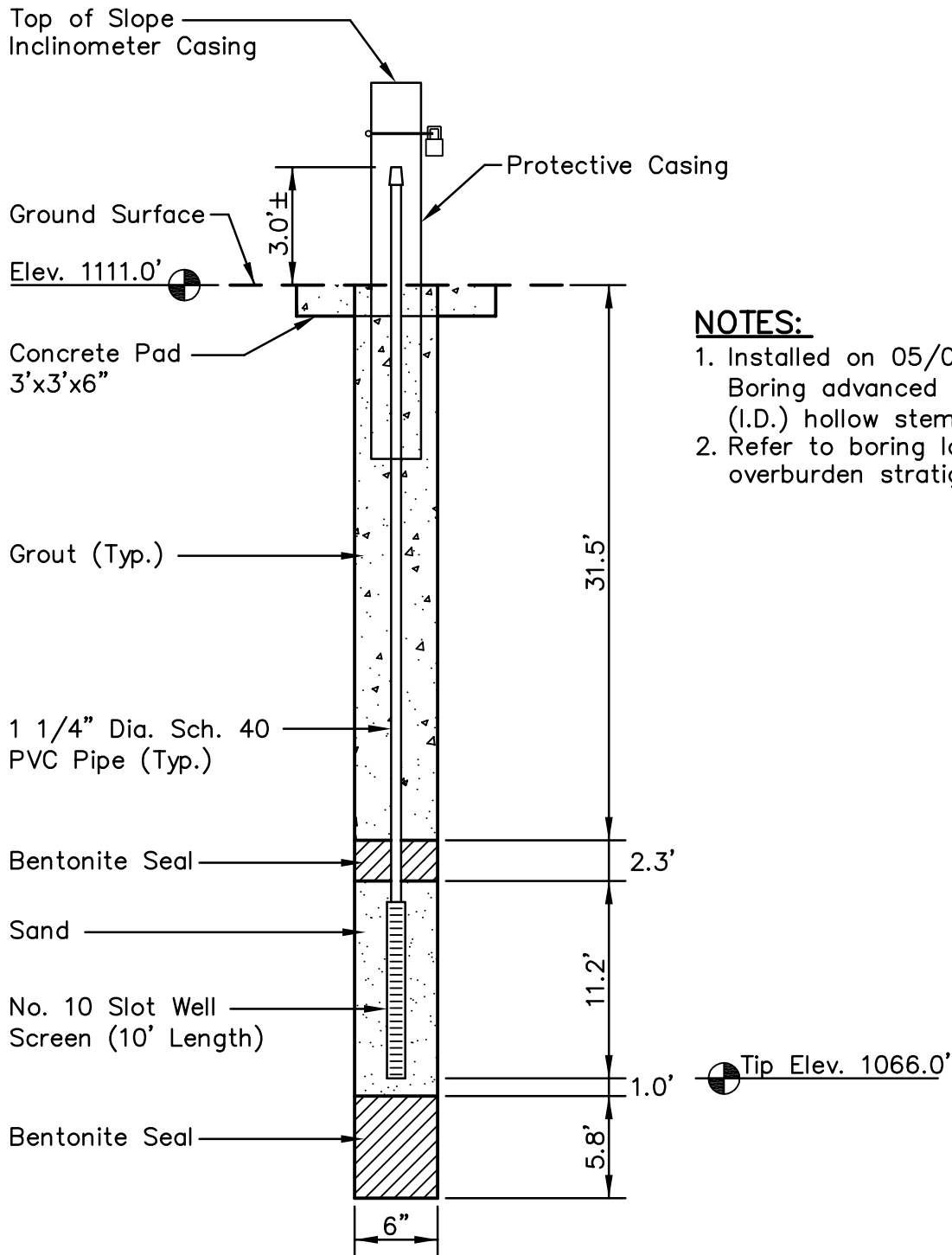


Stantec

Stantec Consulting
 Services Inc.
 1409 N. Forbes Rd.
 Lexington, Kentucky
 40511-2050
 859-422-3000

www.stantec.com

DRAWN BY	RWE	DATE	NOV., 2009	REVISED		SHEET
CHECKED BY	ARD	PROJ. NO.	175569038	1.	3.	1 OF 1
CHECKED BY	AAC	SCALE	NTS	2.	4.	



NOTES:

1. Installed on 05/04/2009. Boring advanced with 3.25" (I.D.) hollow stem augers.
2. Refer to boring log for overburden stratigraphy.

PLOT DATE: 10/21/2009 USER: FLYNN, RENEE V:\1755\ACTIVE\175569038\GEOTECHNICAL\DRAWING\INSTRUMENT\69038C-JSF-301-FZJS21.DWG

LOCATION:

Northing: 736,784.15
 Easting: 2,892,107.96
 Ground Elevation: 1111.0 feet

Locations provided by TVA,
 Power Systems Operations,
 Surveying and Project Services.
 Horizontal Datum: NAD 27
 Vertical Datum: NGVD29

PIEZOMETER JS-21
JOHN SEVIER FOSSIL PLANT
MAIN ASH STACK

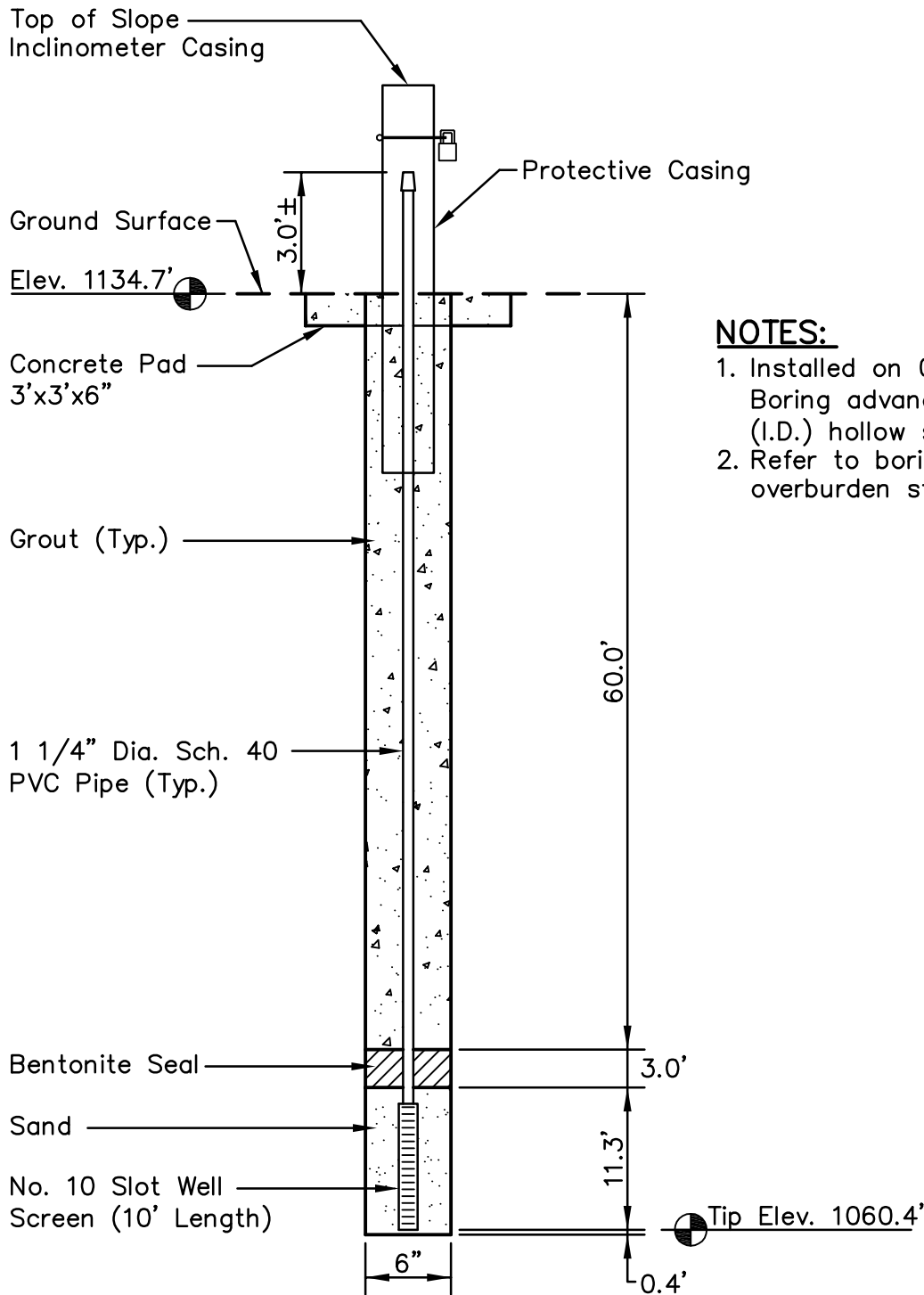


Stantec

Stantec Consulting
 Services Inc.
 1409 N. Forbes Rd.
 Lexington, Kentucky
 40511-2050
 859-422-3000

www.stantec.com

DRAWN BY	JRF	DATE	NOV., 2009	REVISED		SHEET
CHECKED BY	ARD	PROJ. NO.	175569038	1.	3.	1 OF 1
CHECKED BY	AAC	SCALE	NTS	2.	4.	



NOTES:

1. Installed on 05/30/2009. Boring advanced with 3.25" (I.D.) hollow stem augers.
2. Refer to boring log for overburden stratigraphy.

PLOT DATE: 10/21/2009 USER: FLYNN, RENEE V:\1755\ACTIVE\175569038\GEOTECHNICAL\DRAWING\INSTRUMENT\69038C-USF-301-FZJS22.DWG

LOCATION:

Northing: 736,662.66
 Easting: 2,892,209.60
 Ground Elevation: 1134.7 feet

Locations provided by TVA,
 Power Systems Operations,
 Surveying and Project Services.
 Horizontal Datum: NAD 27
 Vertical Datum: NGVD29

PIEZOMETER JS-22
JOHN SEVIER FOSSIL PLANT
MAIN ASH STACK

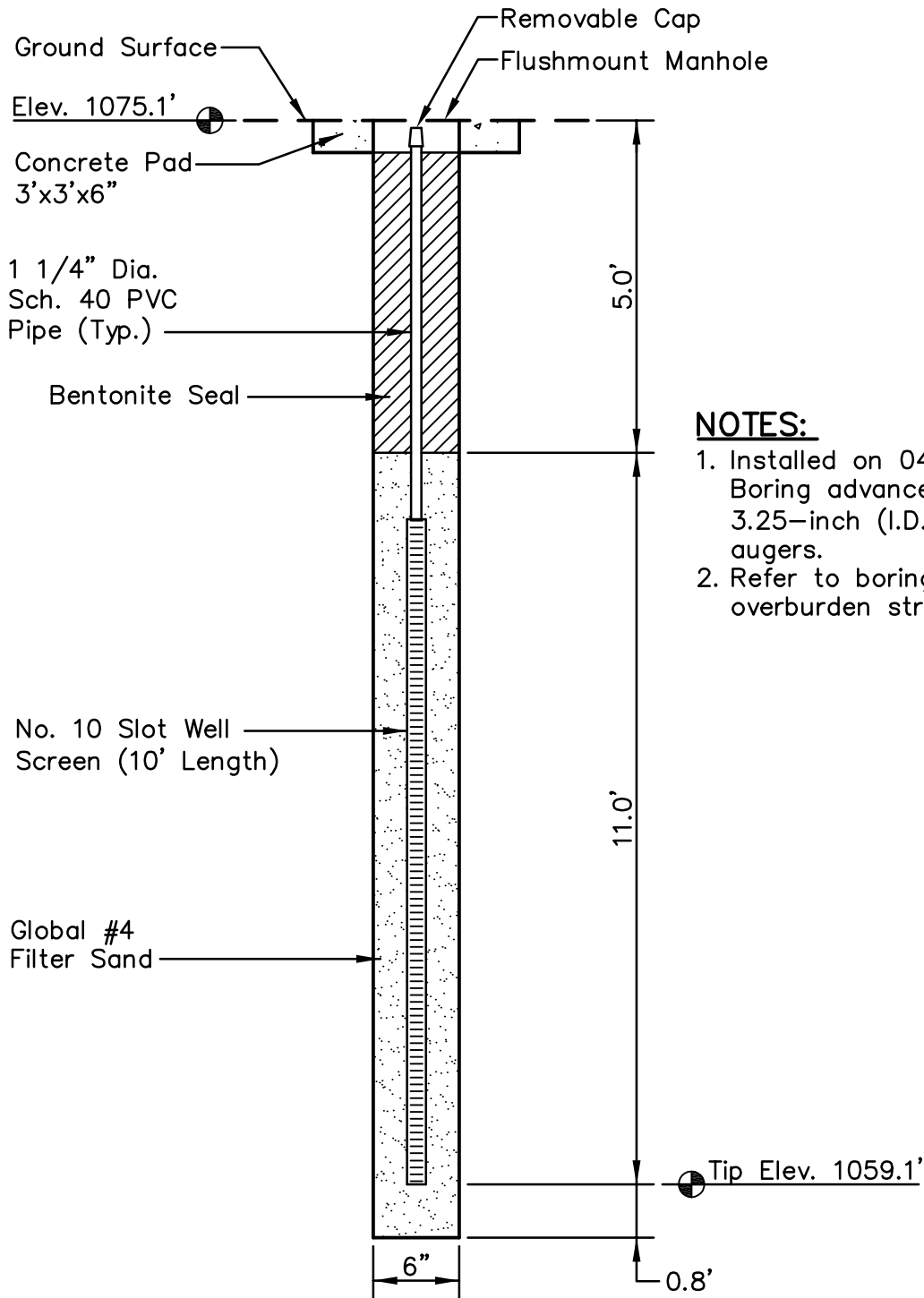


Stantec

Stantec Consulting
 Services Inc.
 1409 N. Forbes Rd.
 Lexington, Kentucky
 40511-2050
 859-422-3000

www.stantec.com

DRAWN BY	JRF	DATE	NOV., 2009		REVISED		SHEET
CHECKED BY	ARD	PROJ. NO.	175569038	1.		3.	1 OF 1
CHECKED BY	AAC	SCALE	NTS	2.		4.	



NOTES:

1. Installed on 04/16/2009. Boring advanced with 3.25-inch (I.D.) hollow stem augers.
2. Refer to boring log for overburden stratigraphy.

PLOT DATE: 10/21/2009 USER: FLYNN, RENEE V:\1755\ACTIVE\175569038\GEOTECHNICAL\DRAWING\INSTRUMENT\69038C-JSF-301-FZJS23.DWG

LOCATION:

Northing: 736,562.81
 Easting: 2,891,652.34
 Ground Elevation: 1075.1 feet

Locations provided by TVA,
 Power Systems Operations,
 Surveying and Project Services.
 Horizontal Datum: NAD 27
 Vertical Datum: NGVD29

PIEZOMETER JS-23
JOHN SEVIER FOSSIL PLANT
MAIN ASH STACK

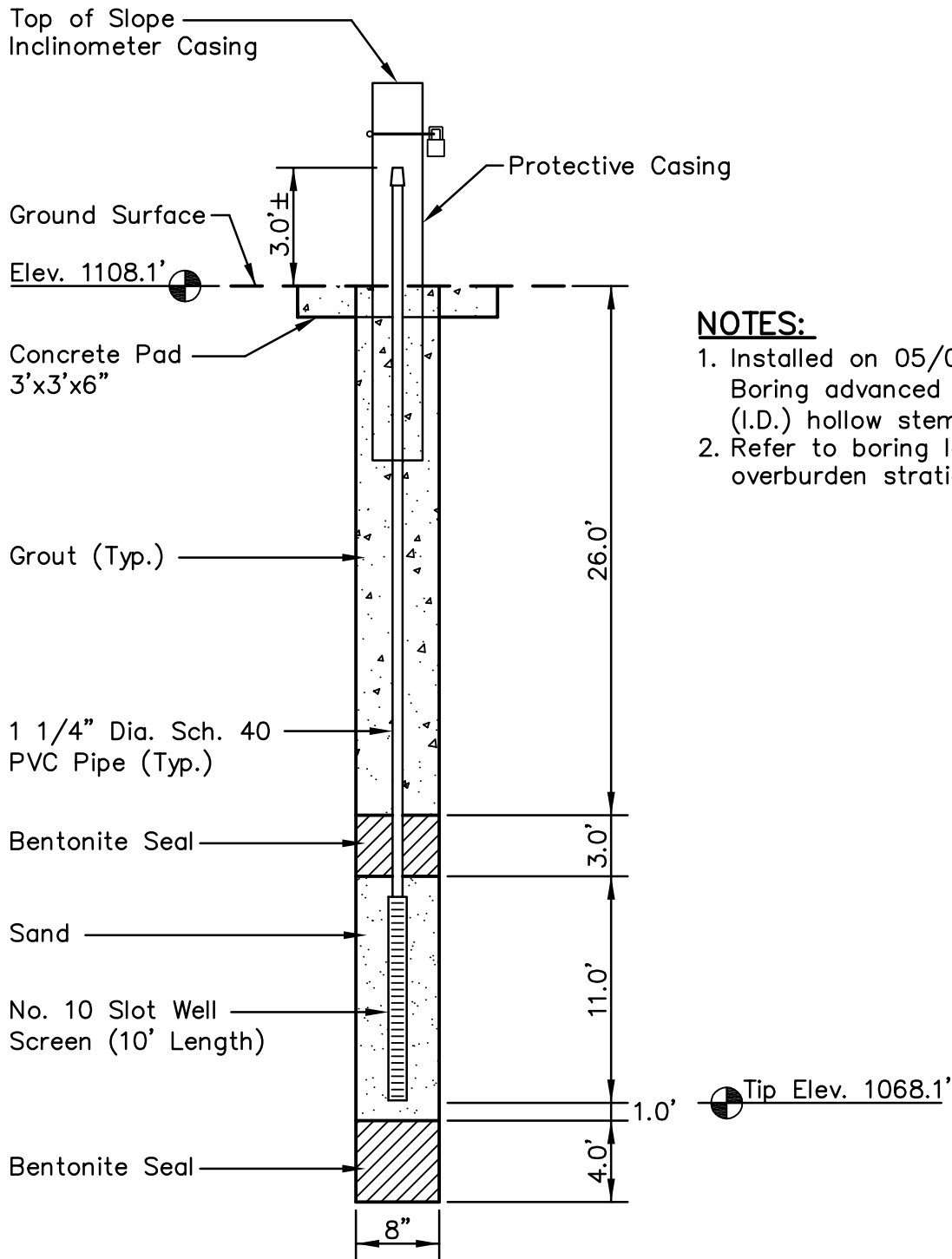


Stantec

Stantec Consulting
 Services Inc.
 1409 N. Forbes Rd.
 Lexington, Kentucky
 40511-2050
 859-422-3000

www.stantec.com

DRAWN BY	RWE	DATE	NOV., 2009	REVISED		SHEET
CHECKED BY	ARD	PROJ. NO.	175569038	1.	3.	1 OF 1
CHECKED BY	AAC	SCALE	NTS	2.	4.	



NOTES:

1. Installed on 05/01/2009. Boring advanced with 3.25" (I.D.) hollow stem augers.
2. Refer to boring log for overburden stratigraphy.

PLOT DATE: 10/21/2009 USER: FLYNN, RENEE V:\1755\ACTIVE\175569038\GEOTECHNICAL\DRAWING\INSTRUMENT\69038C-USF-301-FZJS25.DWG

LOCATION:

Northing: 736,417.96
 Easting: 2,891,781.01
 Ground Elevation: 1108.1 feet

Locations provided by TVA,
 Power Systems Operations,
 Surveying and Project Services.
 Horizontal Datum: NAD 27
 Vertical Datum: NGVD29

PIEZOMETER JS-25
JOHN SEVIER FOSSIL PLANT
MAIN ASH STACK

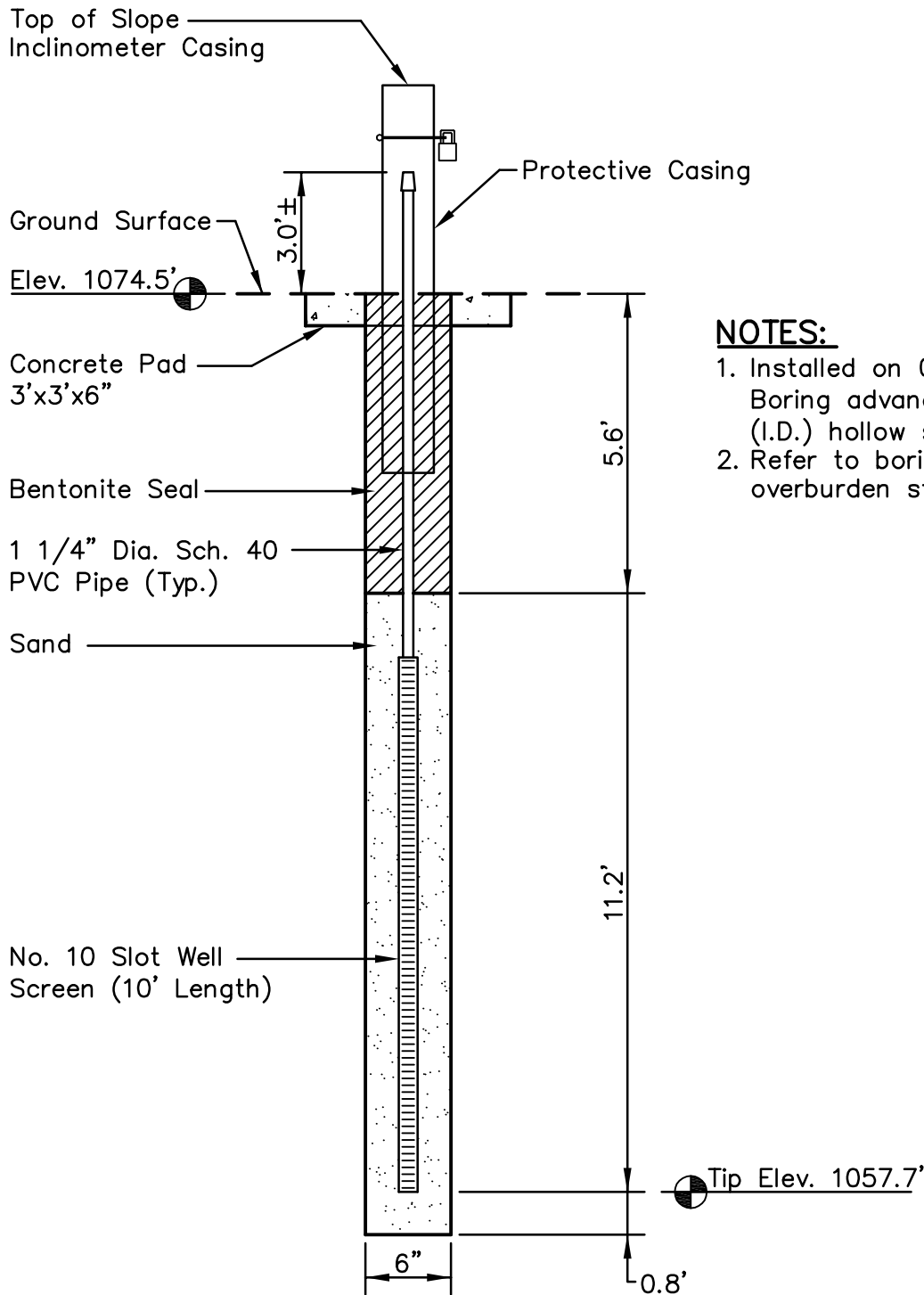


Stantec

Stantec Consulting
 Services Inc.
 1409 N. Forbes Rd.
 Lexington, Kentucky
 40511-2050
 859-422-3000

www.stantec.com

DRAWN BY	JRF	DATE	NOV., 2009		REVISED		SHEET
CHECKED BY	ARD	PROJ. NO.	175569038	1.		3.	1 OF 1
CHECKED BY	AAC	SCALE	NTS	2.		4.	



NOTES:

1. Installed on 04/15/2009. Boring advanced with 3.25" (I.D.) hollow stem augers.
2. Refer to boring log for overburden stratigraphy.

PLOT DATE: 10/21/2009 USER: FLYNN, RENEE V:\1755\ACTIVE\175569038\GEOTECHNICAL\DRAWING\INSTRUMENT\69038C-JSF-301-PZJS28.DWG

LOCATION:

Northing: 736,010.84
 Easting: 2,891,176.23
 Ground Elevation: 1074.5 feet

Locations provided by TVA,
 Power Systems Operations,
 Surveying and Project Services.
 Horizontal Datum: NAD 27
 Vertical Datum: NGVD29

PIEZOMETER JS-28
JOHN SEVIER FOSSIL PLANT
MAIN ASH STACK

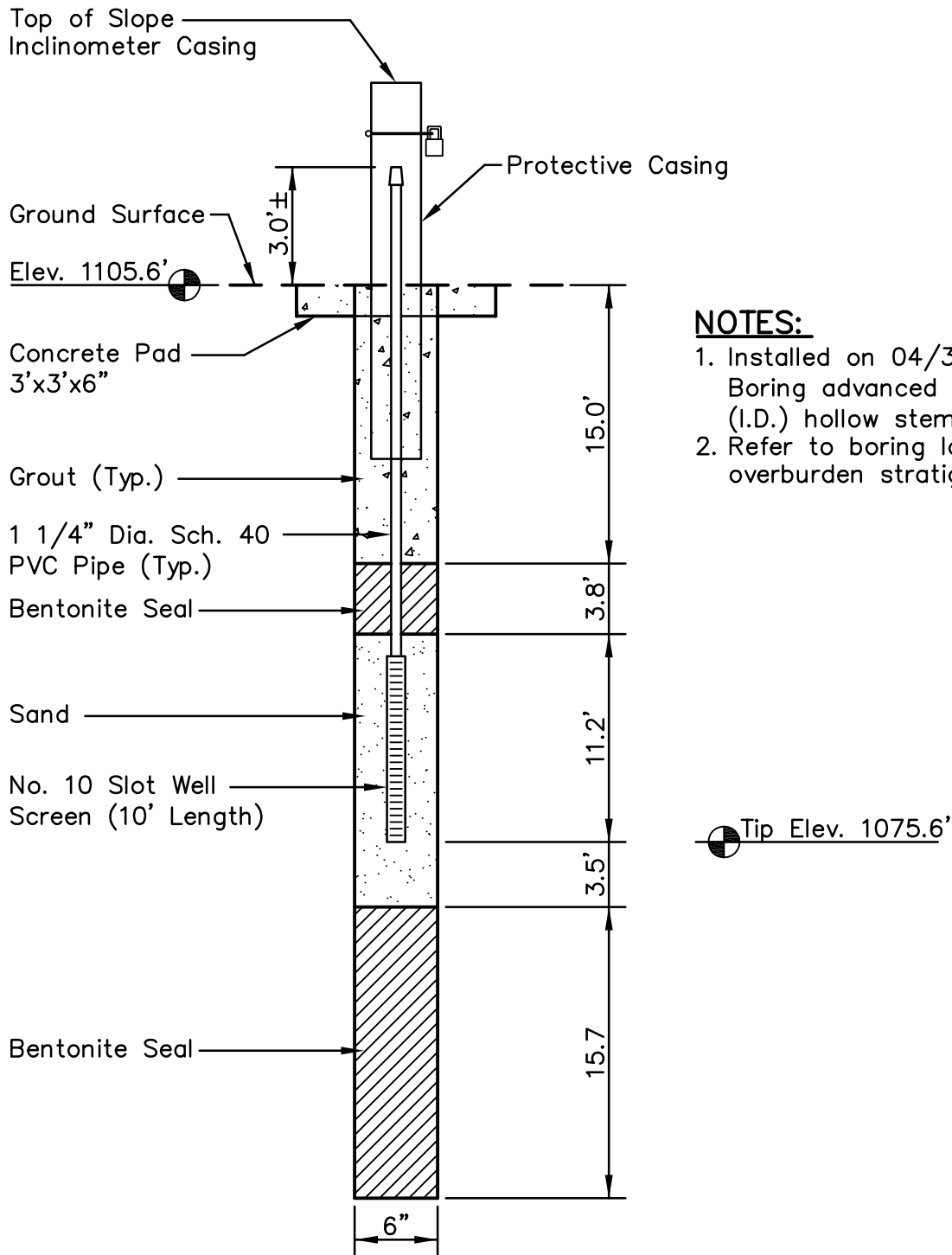


Stantec

Stantec Consulting
 Services Inc.
 1409 N. Forbes Rd.
 Lexington, Kentucky
 40511-2050
 859-422-3000

www.stantec.com

DRAWN BY	JRF	DATE	NOV., 2009	REVISED		SHEET
CHECKED BY	ARD	PROJ. NO.	175569038	1.	3.	1 OF 1
CHECKED BY	AAC	SCALE	NTS	2.	4.	



NOTES:

1. Installed on 04/30/2009. Boring advanced with 3.25" (I.D.) hollow stem augers.
2. Refer to boring log for overburden stratigraphy.

PLOT DATE: 10/21/2009 USER: FLYNN, RENE V:\1755\ACTIVE\175569038\GEOTECHNICAL\DRAWING\INSTRUMENT\69038C-JSF-301-PZJS30.DWG

LOCATION:

Northing: 735,899.72
 Easting: 2,891,288.23
 Ground Elevation: 1105.6 feet

Locations provided by TVA,
 Power Systems Operations,
 Surveying and Project Services.
 Horizontal Datum: NAD 27
 Vertical Datum: NGVD29

PIEZOMETER JS-30
JOHN SEVIER FOSSIL PLANT
MAIN ASH STACK

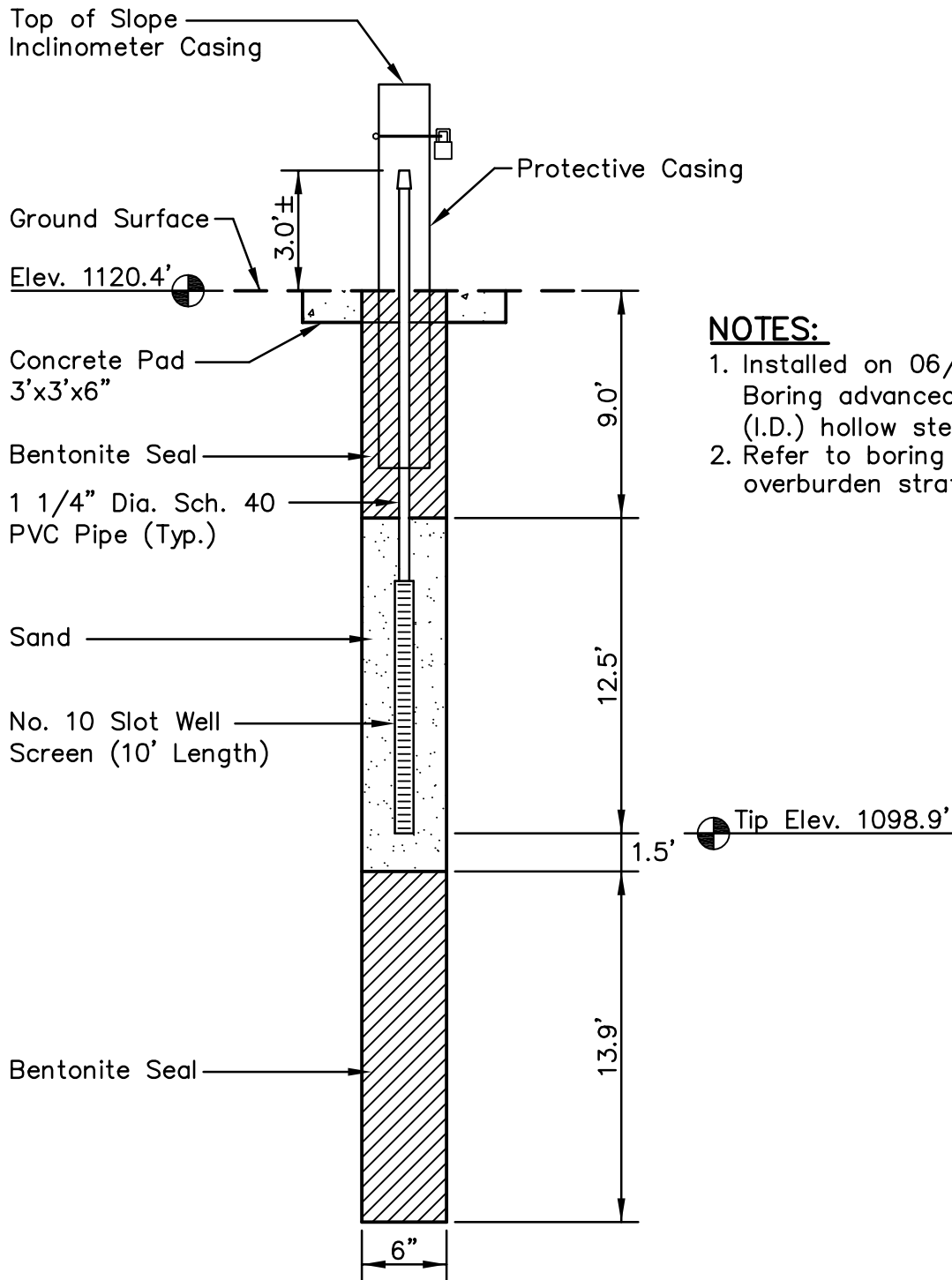


Stantec

Stantec Consulting
 Services Inc.
 1409 N. Forbes Rd.
 Lexington, Kentucky
 40511-2050
 859-422-3000

www.stantec.com

DRAWN BY	JRF	DATE	NOV., 2009	REVISED		SHEET
CHECKED BY	ARD	PROJ. NO.	175569038	1.	3.	1 OF 1
CHECKED BY	AAC	SCALE	NTS	2.	4.	



NOTES:

1. Installed on 06/03/2009. Boring advanced with 3.25" (I.D.) hollow stem augers.
2. Refer to boring log for overburden stratigraphy.

LOCATION:

Northing: 735,045.58
 Easting: 2,892,079.28
 Ground Elevation: 1120.4 feet

Locations provided by TVA,
 Power Systems Operations,
 Surveying and Project Services.
 Horizontal Datum: NAD 27
 Vertical Datum: NGVD29

**PIEZOMETER JS-34C
 JOHN SEVIER FOSSIL PLANT
 MAIN ASH STACK**



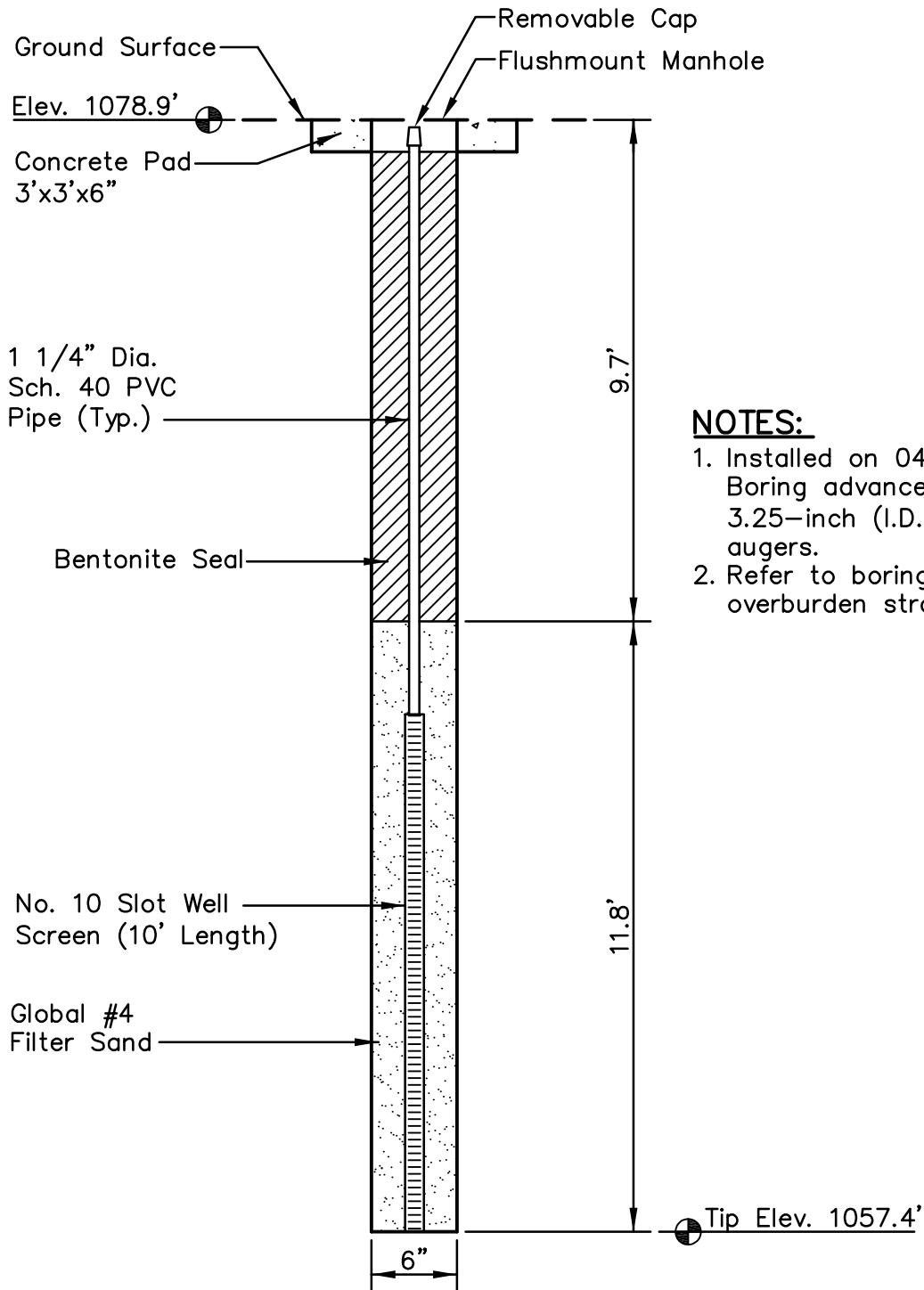
Stantec

Stantec Consulting
 Services Inc.
 1409 N. Forbes Rd.
 Lexington, Kentucky
 40511-2050
 859-422-3000

www.stantec.com

DRAWN BY	JRF	DATE	NOV., 2009	REVISED		SHEET
CHECKED BY	ARD	PROJ. NO.	175569038	1.	3.	1 OF 1
CHECKED BY	AAC	SCALE	NTS	2.	4.	

PLOT DATE: 10/21/2009 USER: FLYNN, RENE V:\1755\ACTIVE\175569038\GEOTECHNICAL\DRAWING\INSTRUMENT\69038C-JSF-301-PZJS34C.DWG



NOTES:

1. Installed on 04/14/2009. Boring advanced with 3.25-inch (I.D.) hollow stem augers.
2. Refer to boring log for overburden stratigraphy.

PLOT DATE: 10/21/2009 USER: FLYNN, RENEE V:\1755\ACTIVE\175569038\GEOTECHNICAL\DRAWING\INSTRUMENT\69038C-JSF-301-PZJS35.DWG

LOCATION:

Northing: 735,547.59
 Easting: 2,890,689.83
 Ground Elevation: 1078.9 feet

Locations provided by TVA, Power Systems Operations, Surveying and Project Services.
 Horizontal Datum: NAD 27
 Vertical Datum: NGVD29

**PIEZOMETER JS-35
 JOHN SEVIER FOSSIL PLANT
 MAIN ASH STACK**

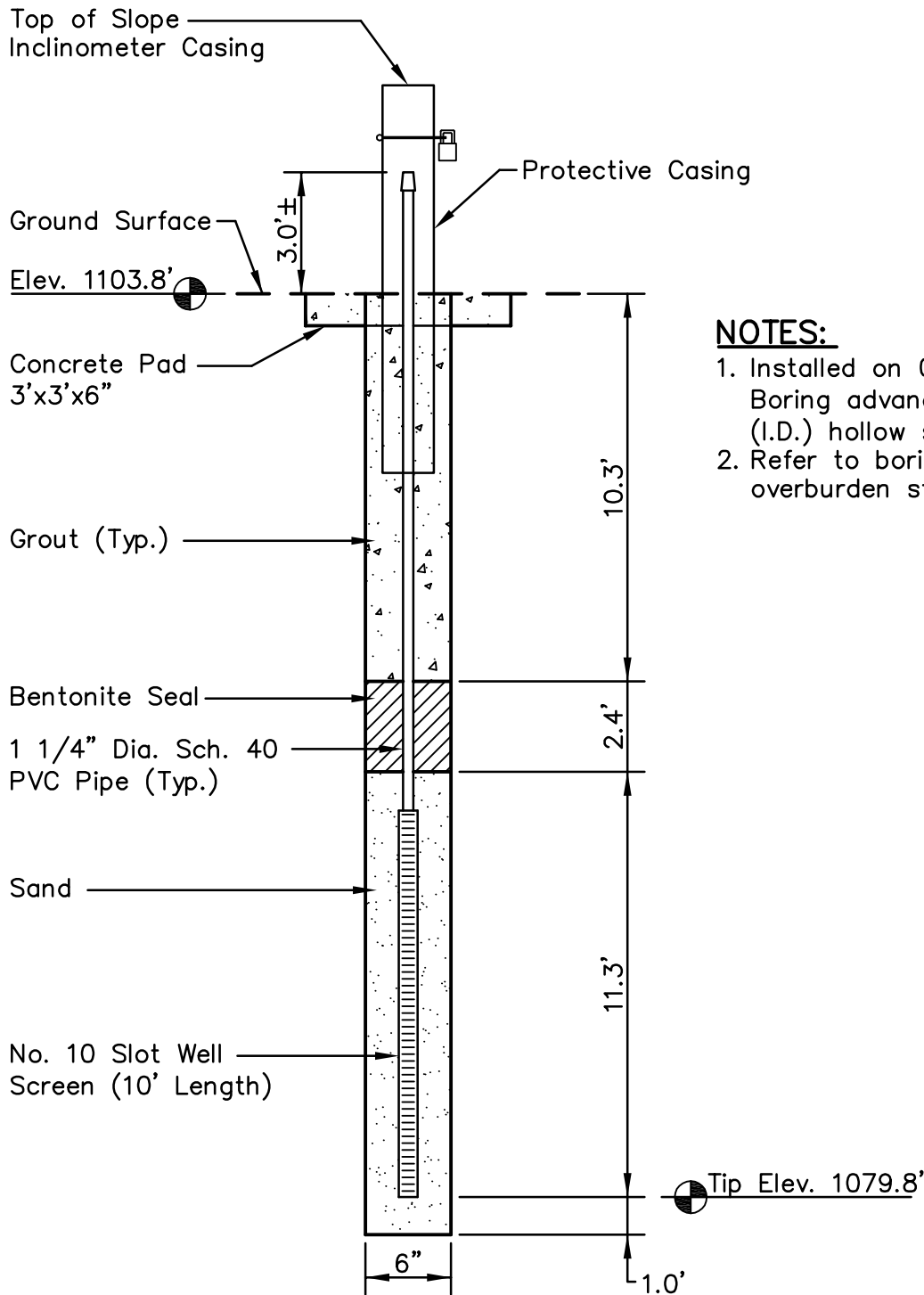


Stantec

Stantec Consulting Services Inc.
 1409 N. Forbes Rd.
 Lexington, Kentucky
 40511-2050
 859-422-3000

www.stantec.com

DRAWN BY	RWE	DATE	NOV., 2009	REVISED		SHEET
CHECKED BY	ARD	PROJ. NO.	175569038	1.	3.	1 OF 1
CHECKED BY	AAC	SCALE	NTS	2.	4.	



NOTES:

1. Installed on 04/18/2009. Boring advanced with 3.25" (I.D.) hollow stem augers.
2. Refer to boring log for overburden stratigraphy.

PLOT DATE: 10/21/2009 USER: FLYNN, RENEE V:\1755\ACTIVE\175569038\GEOTECHNICAL\DRAWING\INSTRUMENT\69038C-JSF-301-PZJS37.DWG

LOCATION:

Northing: 735,429.18
 Easting: 2,890,784.99
 Ground Elevation: 1103.8 feet

Locations provided by TVA,
 Power Systems Operations,
 Surveying and Project Services.
 Horizontal Datum: NAD 27
 Vertical Datum: NGVD29

PIEZOMETER JS-37
JOHN SEVIER FOSSIL PLANT
MAIN ASH STACK

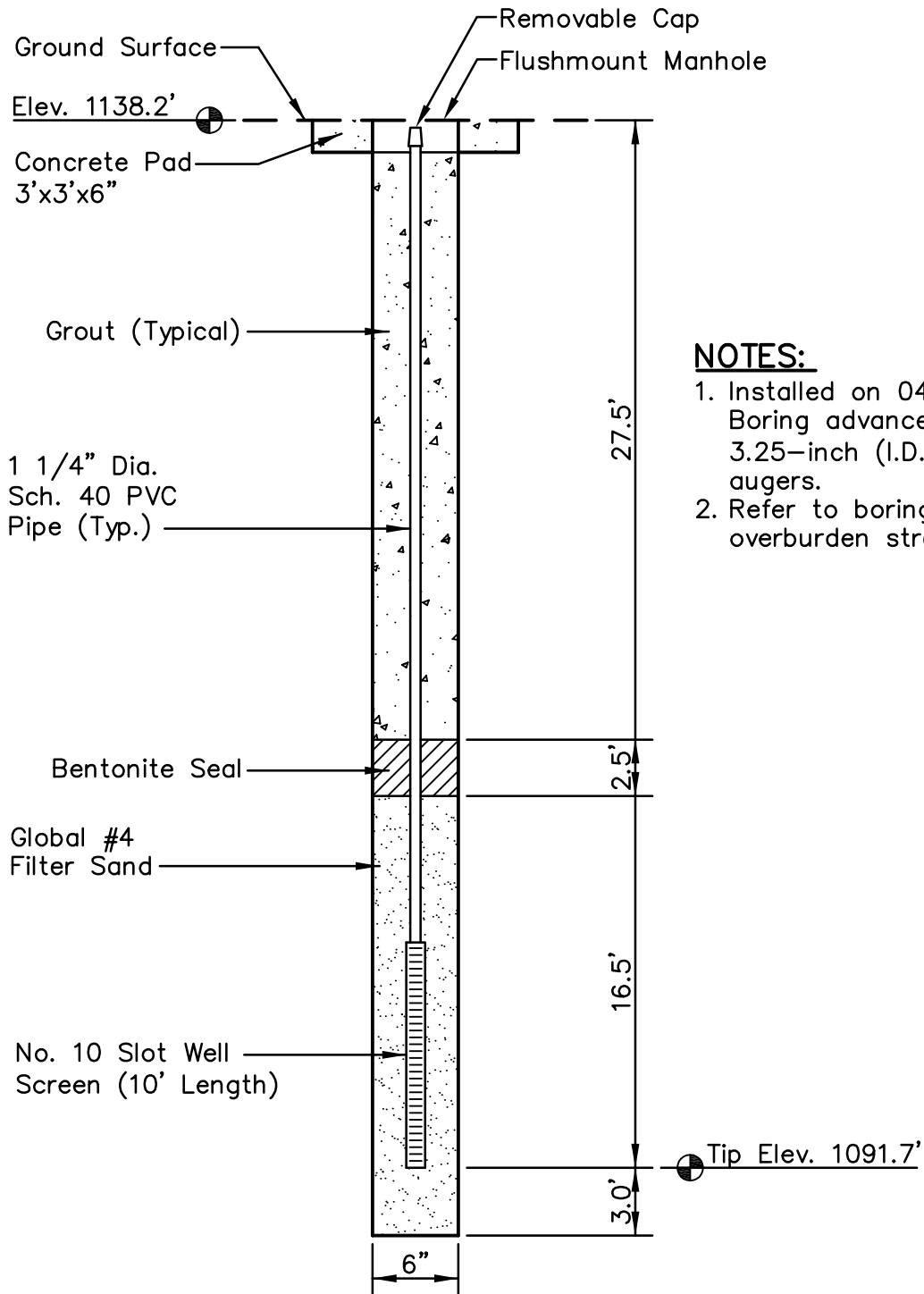


Stantec

Stantec Consulting
 Services Inc.
 1409 N. Forbes Rd.
 Lexington, Kentucky
 40511-2050
 859-422-3000

www.stantec.com

DRAWN BY	JRF	DATE	NOV., 2009	REVISED		SHEET
CHECKED BY	ARD	PROJ. NO.	175569038	1.	3.	1 OF 1
CHECKED BY	AAC	SCALE	NTS	2.	4.	



NOTES:

1. Installed on 04/17/2009. Boring advanced with 3.25-inch (I.D.) hollow stem augers.
2. Refer to boring log for overburden stratigraphy.

PLOT DATE: 10/21/2009 USER: FLYNN, RENEE V:\1755\ACTIVE\175569038\GEOTECHNICAL\DRAWING\INSTRUMENT\69038C-USF-301-FZJS42.DWG

LOCATION:

Northing: 734,710.66
 Easting: 2,891,295.11
 Ground Elevation: 1138.2 feet

Locations provided by TVA, Power Systems Operations, Surveying and Project Services.
 Horizontal Datum: NAD 27
 Vertical Datum: NGVD29

**PIEZOMETER JS-42
 JOHN SEVIER FOSSIL PLANT
 MAIN ASH STACK**

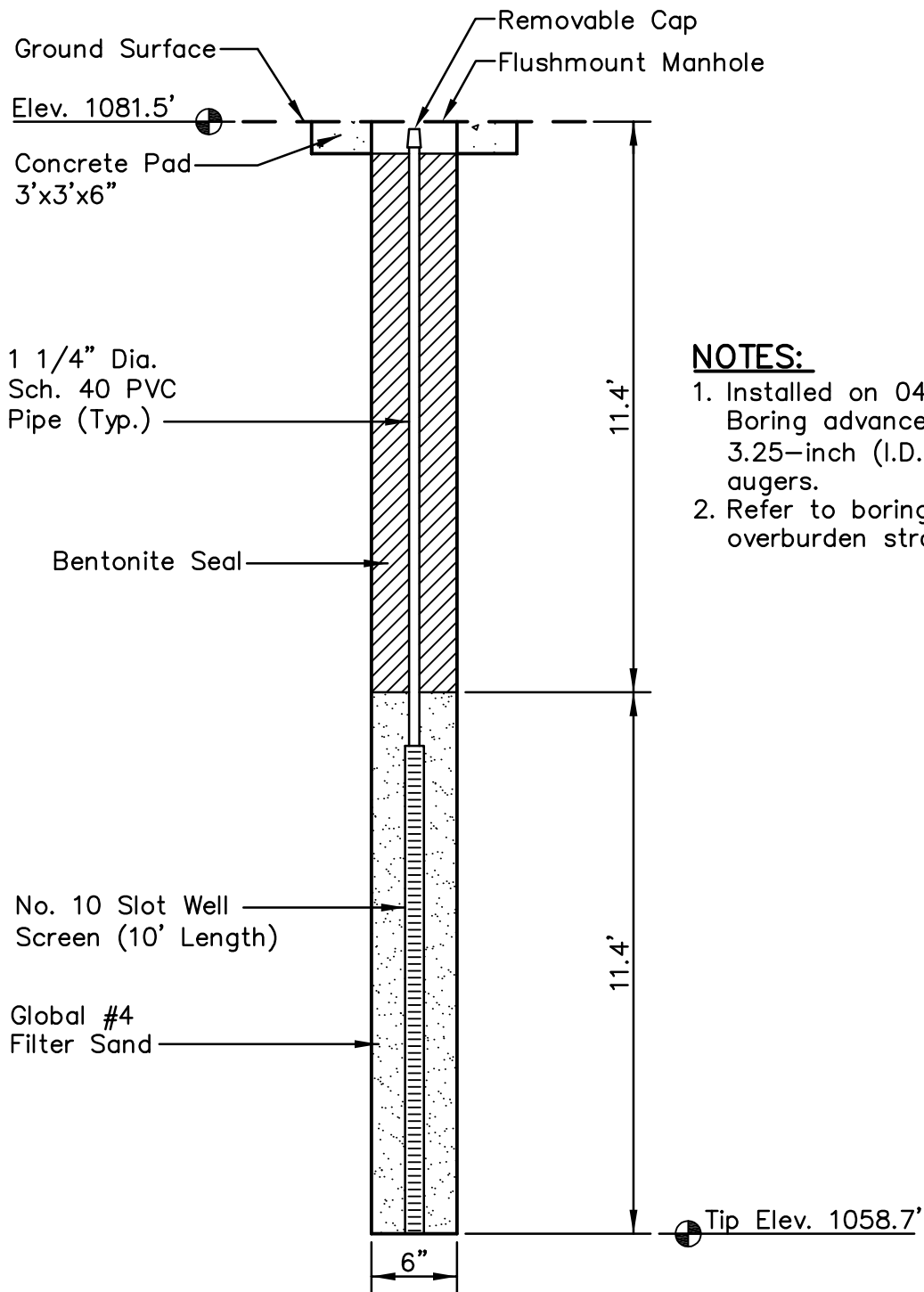


Stantec

Stantec Consulting Services Inc.
 1409 N. Forbes Rd.
 Lexington, Kentucky
 40511-2050
 859-422-3000

www.stantec.com

DRAWN BY	RWE	DATE	NOV., 2009	REVISED		SHEET
CHECKED BY	ARD	PROJ. NO.	175569038	1.	3.	1 OF 1
CHECKED BY	AAC	SCALE	NTS	2.	4.	



NOTES:

1. Installed on 04/14/2009. Boring advanced with 3.25-inch (I.D.) hollow stem augers.
2. Refer to boring log for overburden stratigraphy.

PLOT DATE: 10/21/2009 USER: FLYNN, RENEE V:\1755\ACTIVE\175569038\GEOTECHNICAL\DRAWING\INSTRUMENT\69038C-JSF-301-PZJS43.DWG

LOCATION:

Northing: 735,279.02
 Easting: 2,890,354.76
 Ground Elevation: 1081.5 feet

Locations provided by TVA,
 Power Systems Operations,
 Surveying and Project Services.
 Horizontal Datum: NAD 27
 Vertical Datum: NGVD29

PIEZOMETER JS-43
JOHN SEVIER FOSSIL PLANT
MAIN ASH STACK

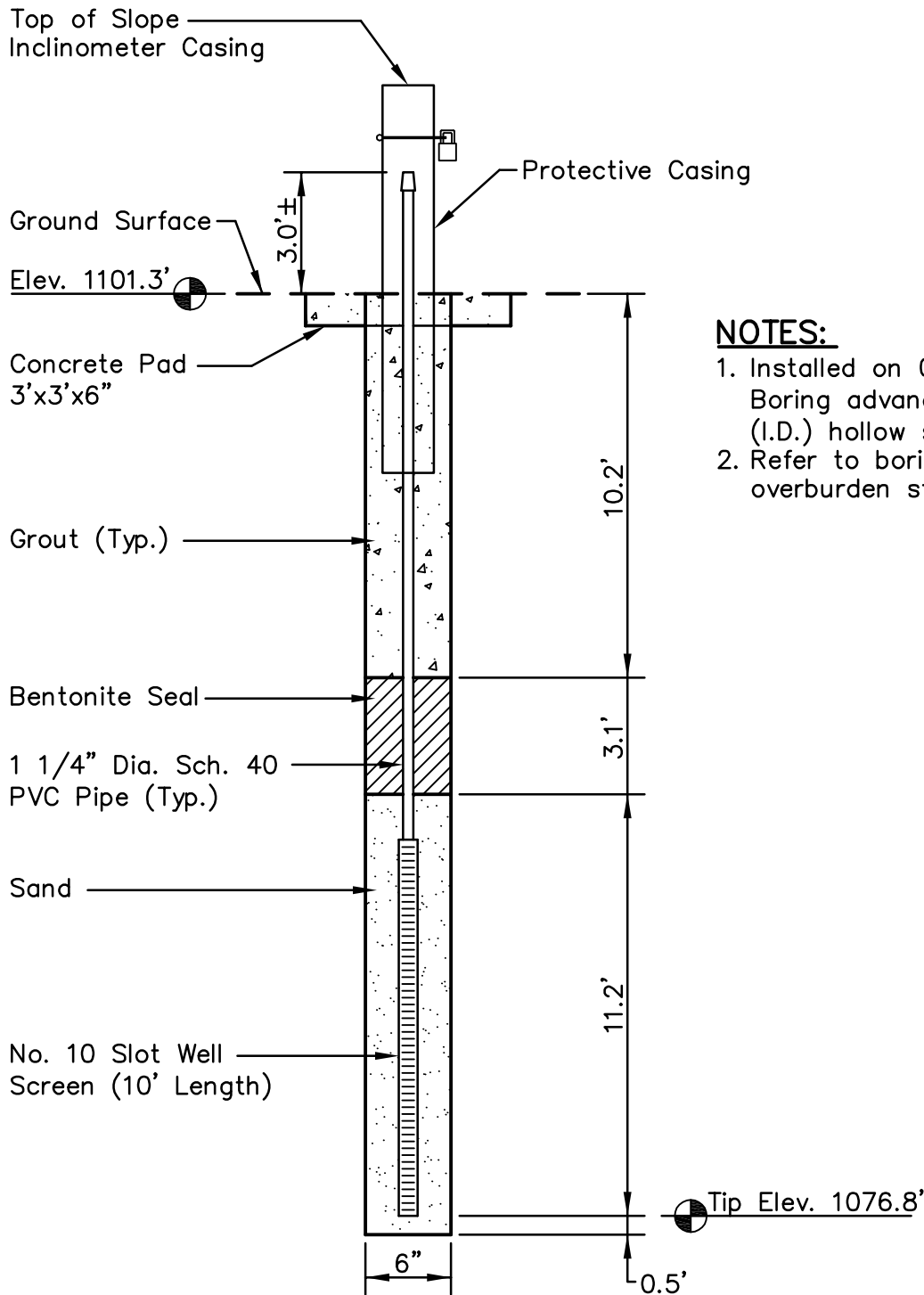


Stantec

Stantec Consulting
 Services Inc.
 1409 N. Forbes Rd.
 Lexington, Kentucky
 40511-2050
 859-422-3000

www.stantec.com

DRAWN BY	RWE	DATE	NOV., 2009	REVISED		SHEET
CHECKED BY	ARD	PROJ. NO.	175569038	1.	3.	1 OF 1
CHECKED BY	AAC	SCALE	NTS	2.	4.	



NOTES:

1. Installed on 04/18/2009. Boring advanced with 3.25" (I.D.) hollow stem augers.
2. Refer to boring log for overburden stratigraphy.

PLOT DATE: 10/21/2009 USER: FLYNN, RENEE V:\1755\ACTIVE\175569038\GEOTECHNICAL\DRAWING\INSTRUMENT\69038C-JSF-301-PZJS45.DWG

LOCATION:

Northing: 735,171.68
 Easting: 2,890,440.72
 Ground Elevation: 1101.3 feet

Locations provided by TVA,
 Power Systems Operations,
 Surveying and Project Services.
 Horizontal Datum: NAD 27
 Vertical Datum: NGVD29

PIEZOMETER JS-45
JOHN SEVIER FOSSIL PLANT
MAIN ASH STACK

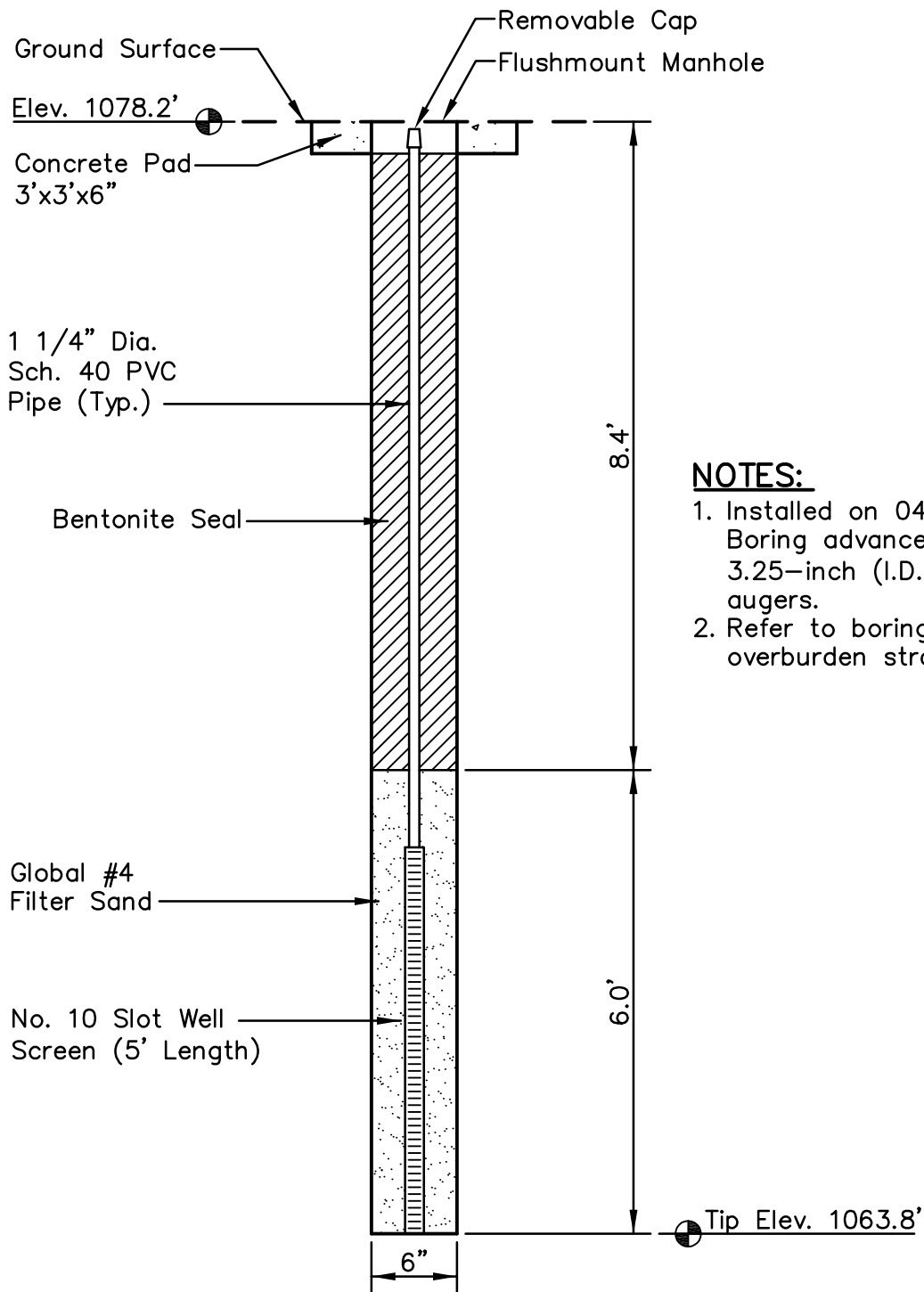


Stantec

Stantec Consulting
 Services Inc.
 1409 N. Forbes Rd.
 Lexington, Kentucky
 40511-2050
 859-422-3000

www.stantec.com

DRAWN BY	JRF	DATE	NOV., 2009	REVISED		SHEET
CHECKED BY	ARD	PROJ. NO.	175569038	1.	3.	1 OF 1
CHECKED BY	AAC	SCALE	NTS	2.	4.	



NOTES:

1. Installed on 04/14/2009. Boring advanced with 3.25-inch (I.D.) hollow stem augers.
2. Refer to boring log for overburden stratigraphy.

PLOT DATE: 10/21/2009 USER: FLYNN, RENEE V:\1755\ACTIVE\175569038\GEOTECHNICAL\DRAWING\INSTRUMENT\69038C-JSF-301-FZJS47.DWG

LOCATION:

Northing: 735,013.36
 Easting: 2,890,001.65
 Ground Elevation: 1078.2 feet

Locations provided by TVA,
 Power Systems Operations,
 Surveying and Project Services.
 Horizontal Datum: NAD 27
 Vertical Datum: NGVD29

PIEZOMETER JS-47
JOHN SEVIER FOSSIL PLANT
MAIN ASH STACK

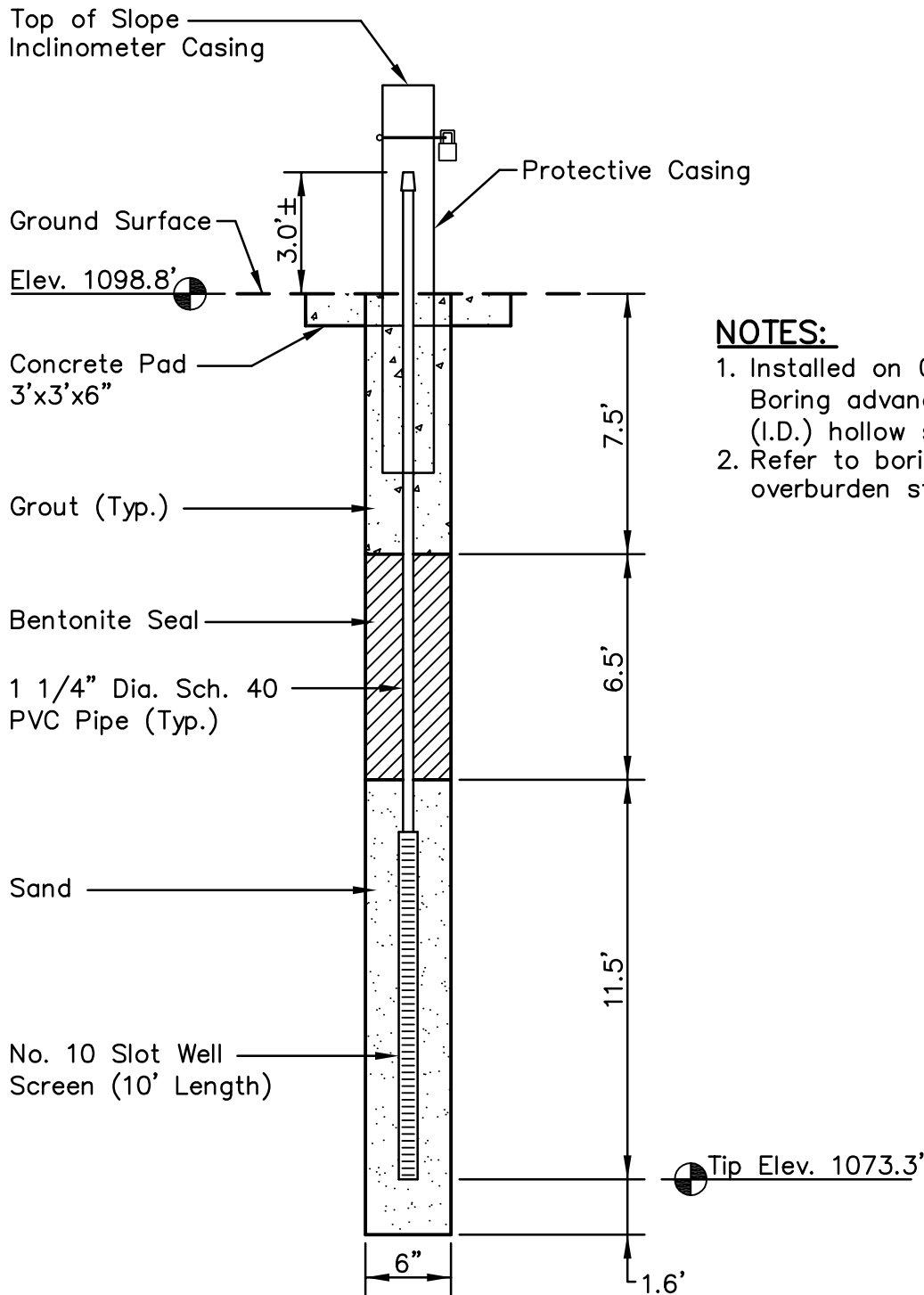


Stantec

Stantec Consulting
 Services Inc.
 1409 N. Forbes Rd.
 Lexington, Kentucky
 40511-2050
 859-422-3000

www.stantec.com

DRAWN BY	RWE	DATE	NOV., 2009	REVISED		SHEET
CHECKED BY	ARD	PROJ. NO.	175569038	1.	3.	1 OF 1
CHECKED BY	AAC	SCALE	NTS	2.	4.	



NOTES:

1. Installed on 04/30/2009. Boring advanced with 3.25" (I.D.) hollow stem augers.
2. Refer to boring log for overburden stratigraphy.

PLOT DATE: 10/21/2009 USER: FLYNN, RENEE V:\1755\ACTIVE\175569038\GEOTECHNICAL\DRAWING\INSTRUMENT\69038C-JSF-301-PZJS49.DWG

LOCATION:

Northing: 734,898.66
 Easting: 2,890,091.75
 Ground Elevation: 1098.8 feet

Locations provided by TVA, Power Systems Operations, Surveying and Project Services.
 Horizontal Datum: NAD 27
 Vertical Datum: NGVD29

**PIEZOMETER JS-49
 JOHN SEVIER FOSSIL PLANT
 MAIN ASH STACK**

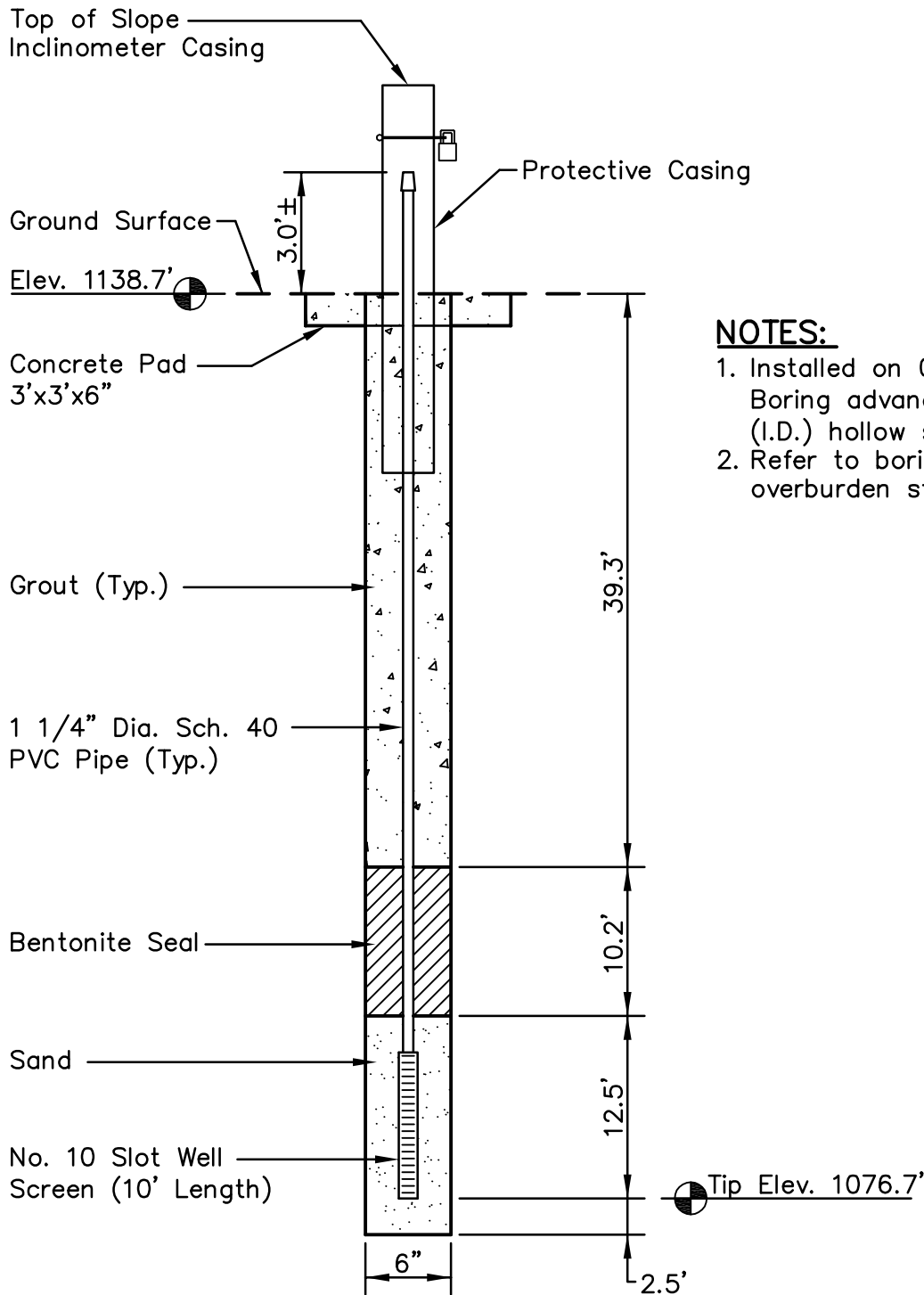


Stantec

Stantec Consulting Services Inc.
 1409 N. Forbes Rd.
 Lexington, Kentucky
 40511-2050
 859-422-3000

www.stantec.com

DRAWN BY	JRF	DATE	NOV., 2009	REVISED		SHEET
CHECKED BY	ARD	PROJ. NO.	175569038	1.	3.	1 OF 1
CHECKED BY	AAC	SCALE	NTS	2.	4.	



NOTES:

1. Installed on 04/21/2009. Boring advanced with 3.25" (I.D.) hollow stem augers.
2. Refer to boring log for overburden stratigraphy.

PLOT DATE: 10/21/2009 USER: FLYNN, RENEE V:\1755\ACTIVE\175569038\GEOTECHNICAL\DRAWING\INSTRUMENT\69038C-USF-301-PZJS50.DWG

LOCATION:

Northing: 734,760.24
 Easting: 2,890,196.57
 Ground Elevation: 1138.7 feet

Locations provided by TVA, Power Systems Operations, Surveying and Project Services.
 Horizontal Datum: NAD 27
 Vertical Datum: NGVD29

**PIEZOMETER JS-50
 JOHN SEVIER FOSSIL PLANT
 MAIN ASH STACK**

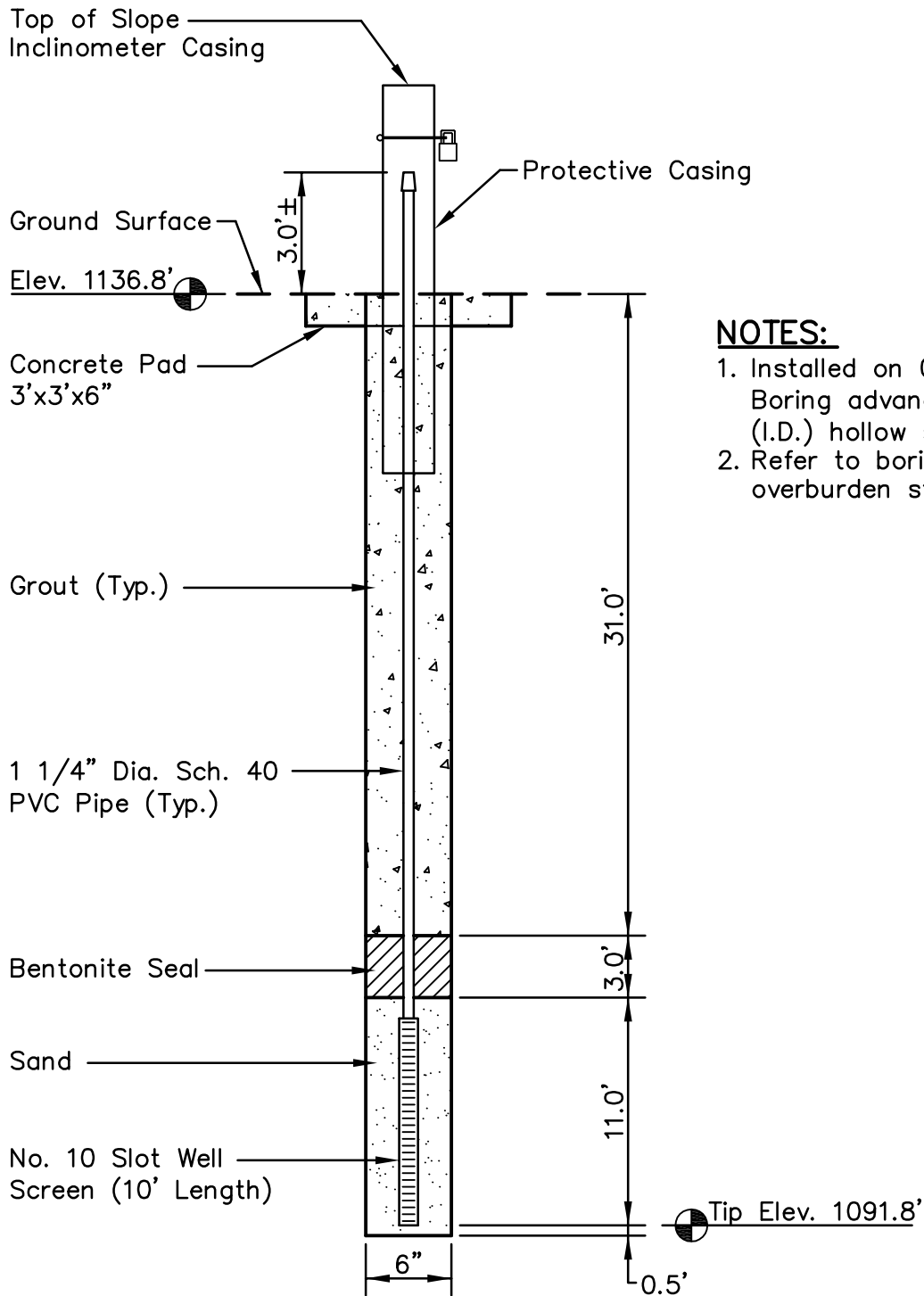


Stantec

Stantec Consulting Services Inc.
 1409 N. Forbes Rd.
 Lexington, Kentucky
 40511-2050
 859-422-3000

www.stantec.com

DRAWN BY	JRF	DATE	NOV., 2009	REVISED		SHEET
CHECKED BY	ARD	PROJ. NO.	175569038	1.	3.	1 OF 1
CHECKED BY	AAC	SCALE	NTS	2.	4.	



NOTES:

1. Installed on 06/01/2009. Boring advanced with 3.25" (I.D.) hollow stem augers.
2. Refer to boring log for overburden stratigraphy.

PLOT DATE: 10/21/2009 USER: FLYNN, RENEE V:\1755\ACTIVE\175569038\GEOTECHNICAL\DRAWING\INSTRUMENT\69038C-JSF-301-PZJS52.DWG

LOCATION:

Northing: 734,518.95
 Easting: 2,890,384.61
 Ground Elevation: 1136.8 feet

Locations provided by TVA,
 Power Systems Operations,
 Surveying and Project Services.
 Horizontal Datum: NAD 27
 Vertical Datum: NGVD29

PIEZOMETER JS-52
JOHN SEVIER FOSSIL PLANT
MAIN ASH STACK

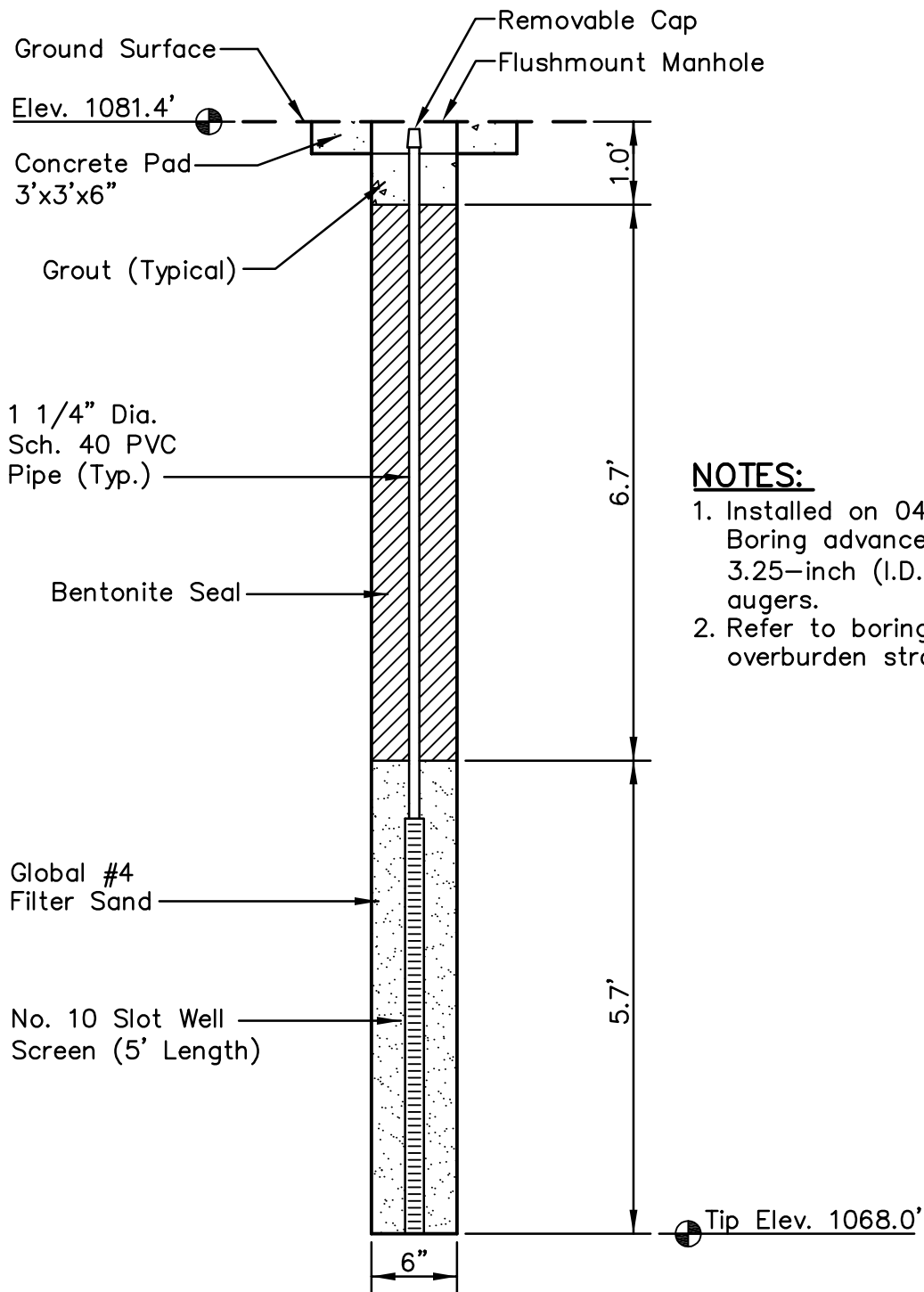


Stantec

Stantec Consulting
 Services Inc.
 1409 N. Forbes Rd.
 Lexington, Kentucky
 40511-2050
 859-422-3000

www.stantec.com

DRAWN BY	JRF	DATE	NOV., 2009	REVISED	SHEET
CHECKED BY	ARD	PROJ. NO.	175569038	1.	3.
CHECKED BY	AAC	SCALE	NTS	2.	4.
1 OF 1					



NOTES:

1. Installed on 04/13/2009. Boring advanced with 3.25-inch (I.D.) hollow stem augers.
2. Refer to boring log for overburden stratigraphy.

PLOT DATE: 10/21/2009 USER: FLYNN, RENEE V:\1755\ACTIVE\175569038\GEOTECHNICAL\DRAWING\INSTRUMENT\69038C-JSF-301-PZJS53.DWG

LOCATION:

Northing: 734,742.01
 Easting: 2,889,577.25
 Ground Elevation: 1081.4 feet

Locations provided by TVA,
 Power Systems Operations,
 Surveying and Project Services.
 Horizontal Datum: NAD 27
 Vertical Datum: NGVD29

PIEZOMETER JS-53
JOHN SEVIER FOSSIL PLANT
MAIN ASH STACK

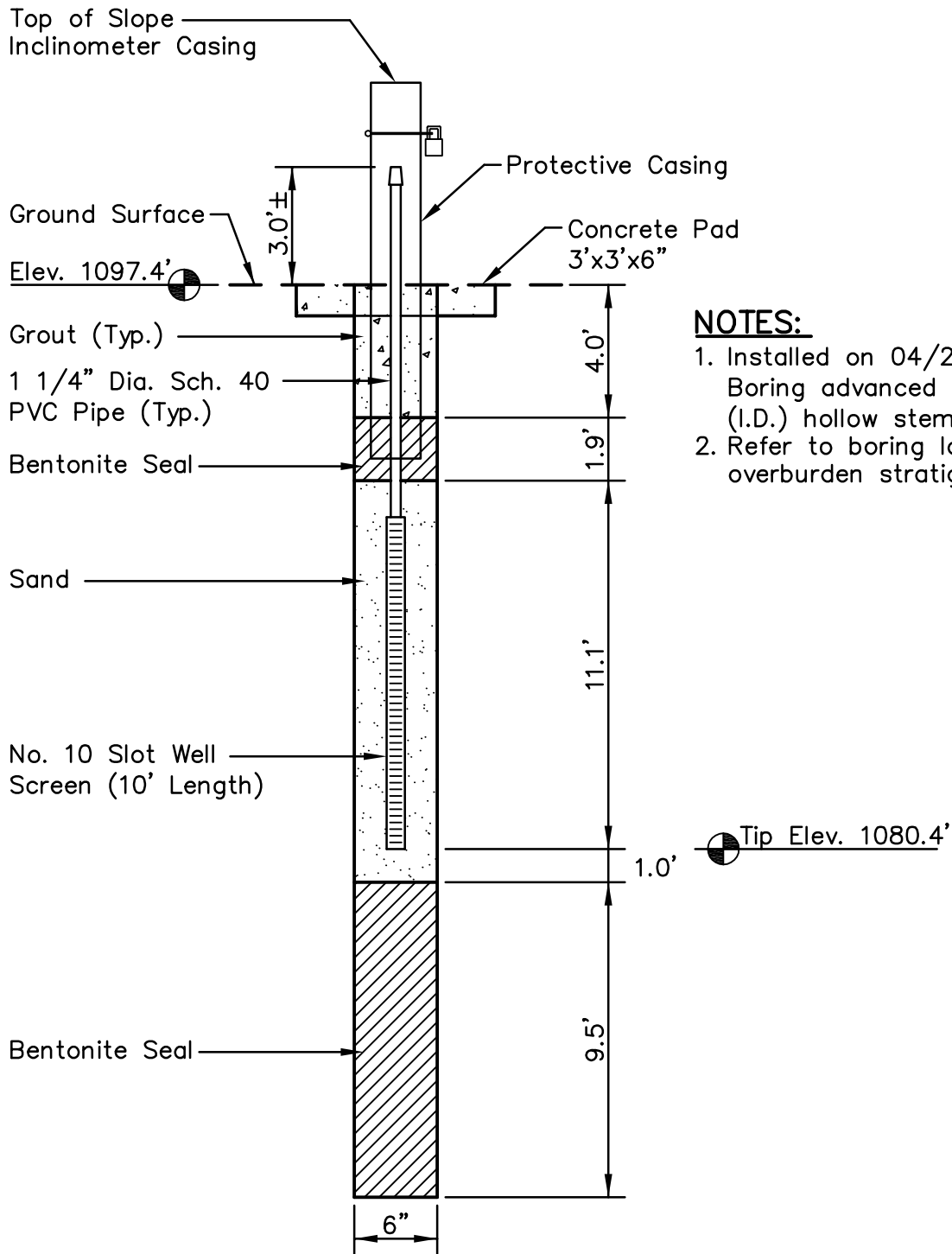


Stantec

Stantec Consulting
 Services Inc.
 1409 N. Forbes Rd.
 Lexington, Kentucky
 40511-2050
 859-422-3000

www.stantec.com

DRAWN BY	RWE	DATE	NOV., 2009	REVISED		SHEET
CHECKED BY	ARD	PROJ. NO.	175569038	1.	3.	1 OF 1
CHECKED BY	AAC	SCALE	NTS	2.	4.	



NOTES:

1. Installed on 04/29/2009. Boring advanced with 3.25" (I.D.) hollow stem augers.
2. Refer to boring log for overburden stratigraphy.

PLOT DATE: 10/21/2009 USER: FLYNN, RENEE V:\1755\ACTIVE\175569038\GEOTECHNICAL\DRAWING\INSTRUMENT\69038C-JSF-301-PZJS55.DWG

LOCATION:

Northing: 734,611.13
 Easting: 2,889,621.92
 Ground Elevation: 1097.4 feet

Locations provided by TVA, Power Systems Operations, Surveying and Project Services.
 Horizontal Datum: NAD 27
 Vertical Datum: NGVD29

**PIEZOMETER JS-55
 JOHN SEVIER FOSSIL PLANT
 MAIN ASH STACK**

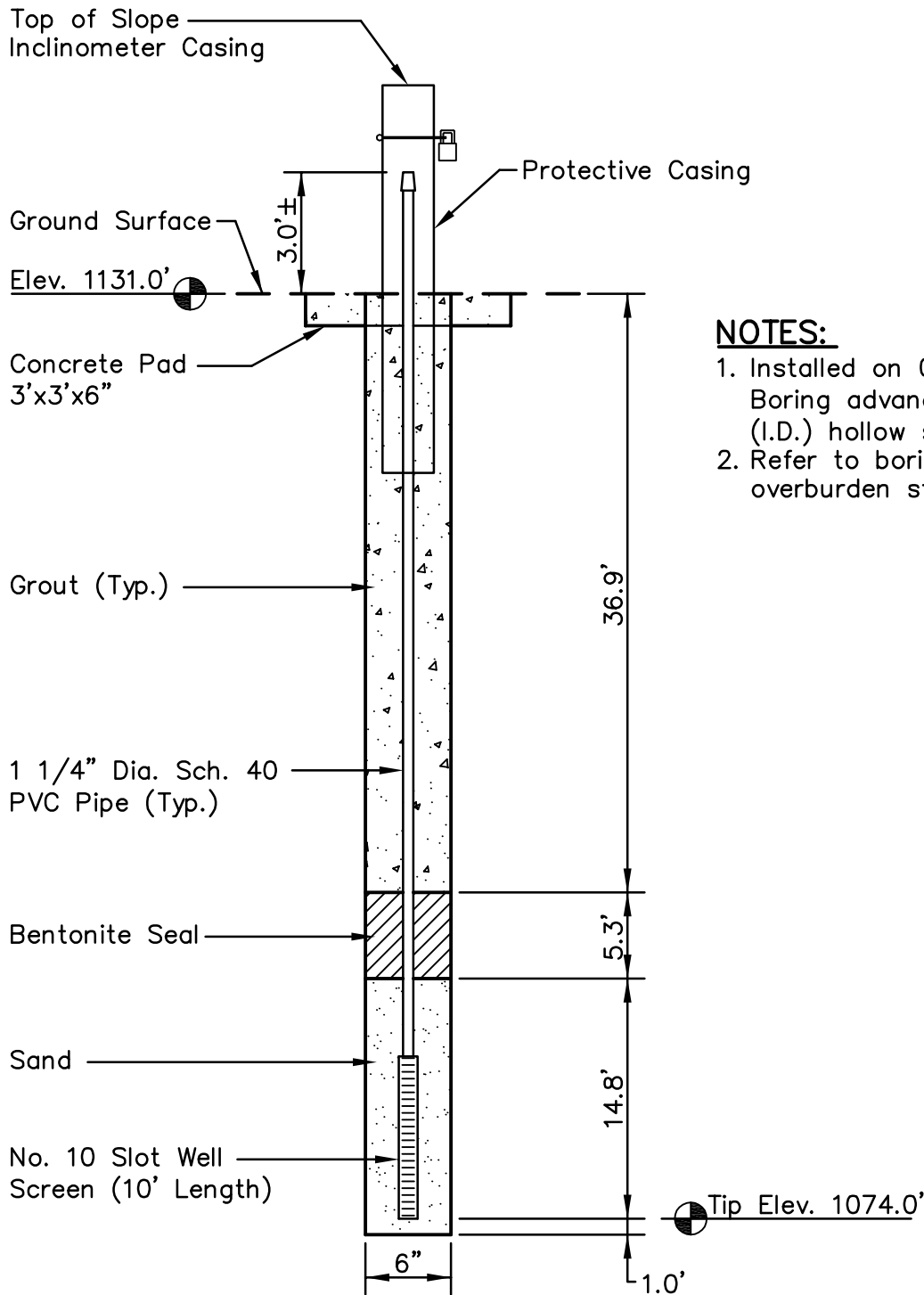


Stantec

Stantec Consulting Services Inc.
 1409 N. Forbes Rd.
 Lexington, Kentucky
 40511-2050
 859-422-3000

www.stantec.com

DRAWN BY	JRF	DATE	NOV., 2009	REVISED		SHEET
CHECKED BY	ARD	PROJ. NO.	175569038	1.	3.	1 OF 1
CHECKED BY	AAC	SCALE	NTS	2.	4.	



NOTES:

1. Installed on 04/18/2009. Boring advanced with 3.25" (I.D.) hollow stem augers.
2. Refer to boring log for overburden stratigraphy.

PLOT DATE: 10/21/2009 USER: FLYNN, RENEE V:\1755\ACTIVE\175569038\GEOTECHNICAL\DRAWING\INSTRUMENT\69038C-USF-301-PZJS56.DWG

LOCATION:

Northing: 734,506.50
 Easting: 2,889,656.35
 Ground Elevation: 1131.0 feet

Locations provided by TVA, Power Systems Operations, Surveying and Project Services.
 Horizontal Datum: NAD 27
 Vertical Datum: NGVD29

**PIEZOMETER JS-56
 JOHN SEVIER FOSSIL PLANT
 MAIN ASH STACK**

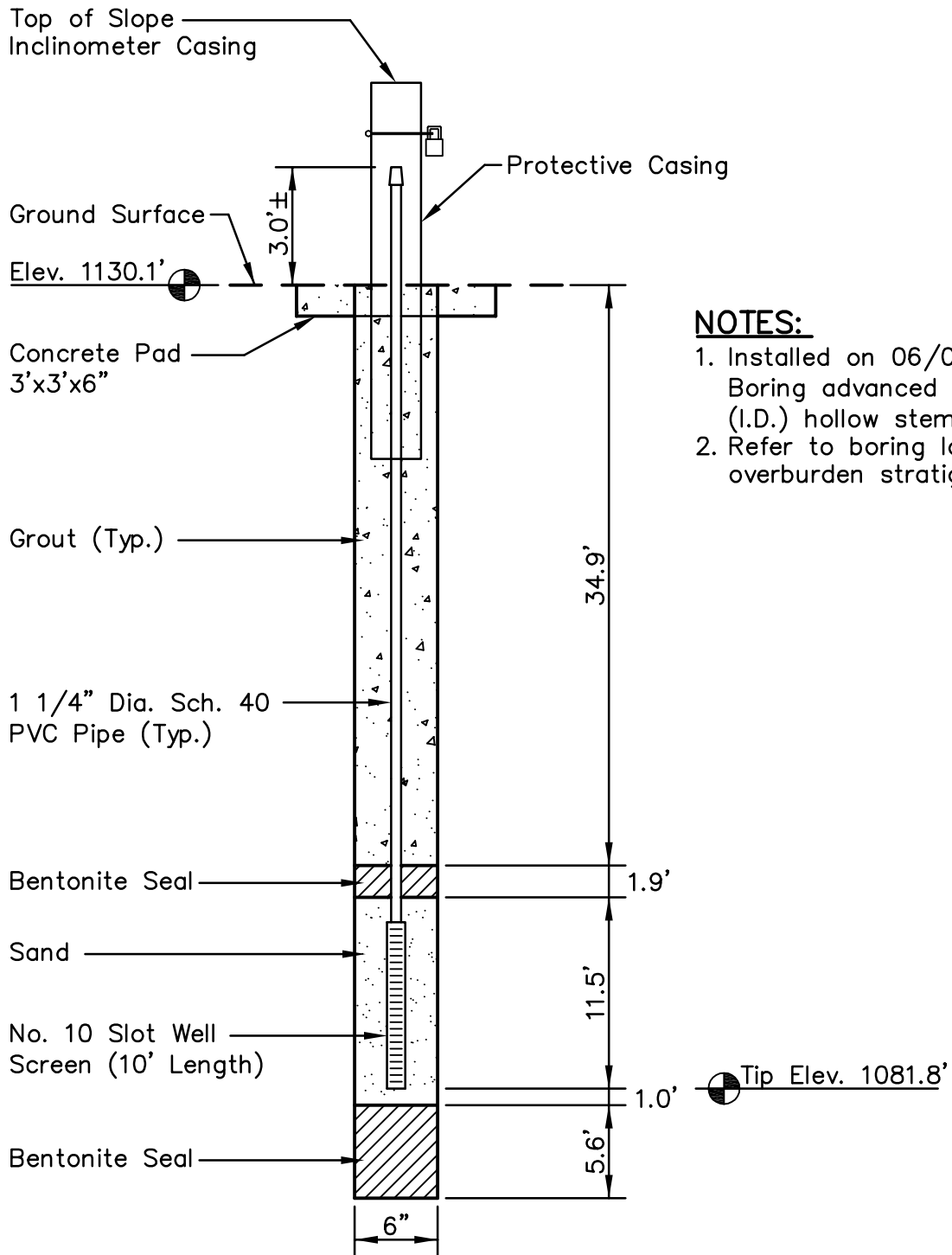


Stantec

Stantec Consulting Services Inc.
 1409 N. Forbes Rd.
 Lexington, Kentucky
 40511-2050
 859-422-3000

www.stantec.com

DRAWN BY	JRF	DATE	NOV., 2009	REVISED		SHEET
CHECKED BY	ARD	PROJ. NO.	175569038	1.	3.	1 OF 1
CHECKED BY	AAC	SCALE	NTS	2.	4.	



NOTES:

1. Installed on 06/01/2009. Boring advanced with 3.25" (I.D.) hollow stem augers.
2. Refer to boring log for overburden stratigraphy.

PLOT DATE: 10/21/2009 USER: FLYNN, RENEE V:\1755\ACTIVE\175569038\GEOTECHNICAL\DRAWING\INSTRUMENT\69038C-JSF-301-PZJS57.DWG

LOCATION:

Northing: 734,277.92
 Easting: 2,889,720.99
 Ground Elevation: 1130.1 feet

Locations provided by TVA,
 Power Systems Operations,
 Surveying and Project Services.
 Horizontal Datum: NAD 27
 Vertical Datum: NGVD29

PIEZOMETER JS-57
JOHN SEVIER FOSSIL PLANT
MAIN ASH STACK

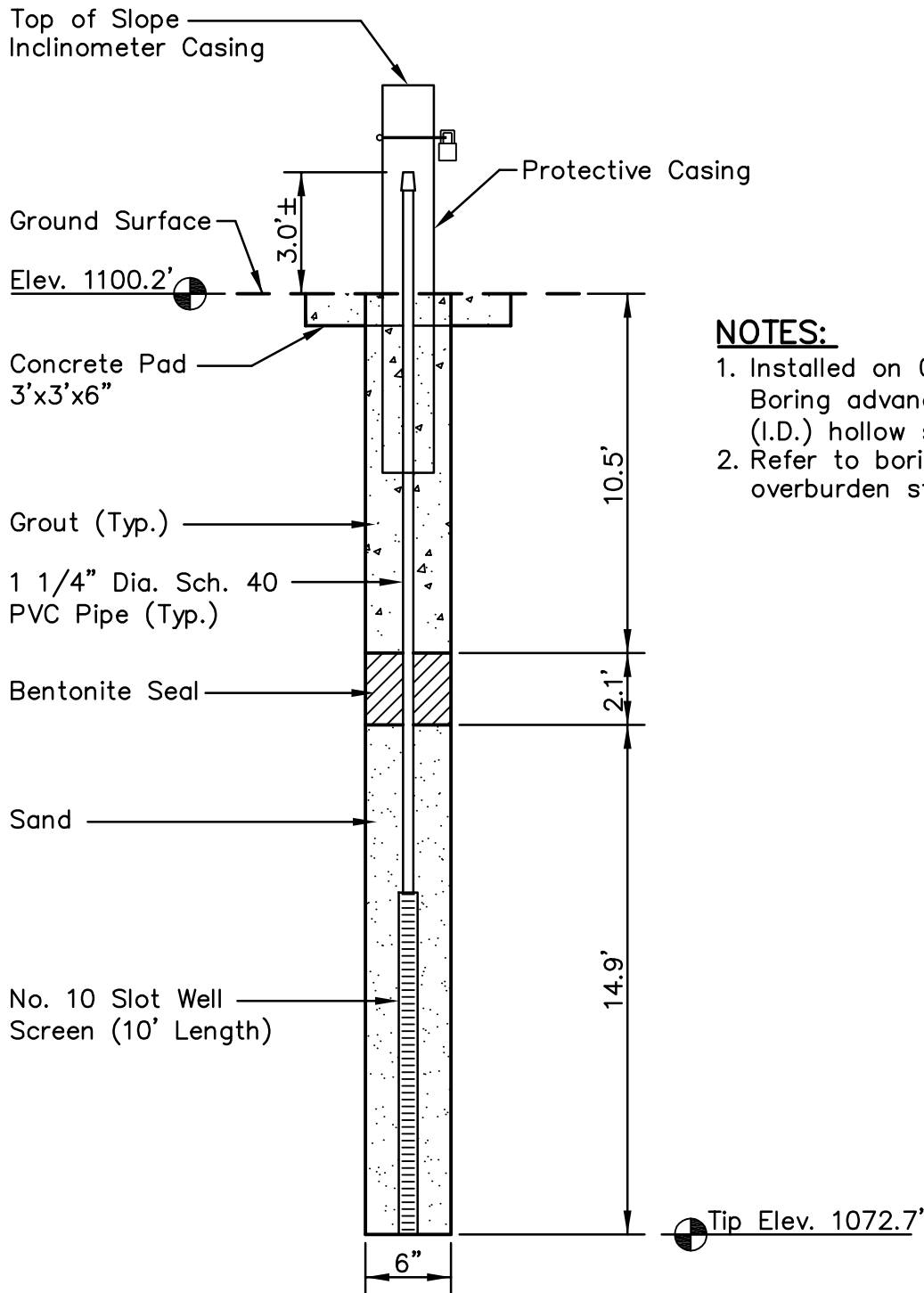


Stantec

Stantec Consulting
 Services Inc.
 1409 N. Forbes Rd.
 Lexington, Kentucky
 40511-2050
 859-422-3000

www.stantec.com

DRAWN BY	JRF	DATE	NOV., 2009	REVISED		SHEET
CHECKED BY	ARD	PROJ. NO.	175569038	1.	3.	1 OF 1
CHECKED BY	AAC	SCALE	NTS	2.	4.	



NOTES:

1. Installed on 04/21/2009. Boring advanced with 3.25" (I.D.) hollow stem augers.
2. Refer to boring log for overburden stratigraphy.

PLOT DATE: 10/21/2009 USER: FLYNN, RENEE V:\1755\ACTIVE\175569038\GEOTECHNICAL\DRAWING\INSTRUMENT\69038C-JSF-301-FZJS58.DWG

LOCATION:

Northing: 734,222.32
 Easting: 2,889,559.16
 Ground Elevation: 1100.2 feet

Locations provided by TVA,
 Power Systems Operations,
 Surveying and Project Services.
 Horizontal Datum: NAD 27
 Vertical Datum: NGVD29

PIEZOMETER JS-58
JOHN SEVIER FOSSIL PLANT
MAIN ASH STACK

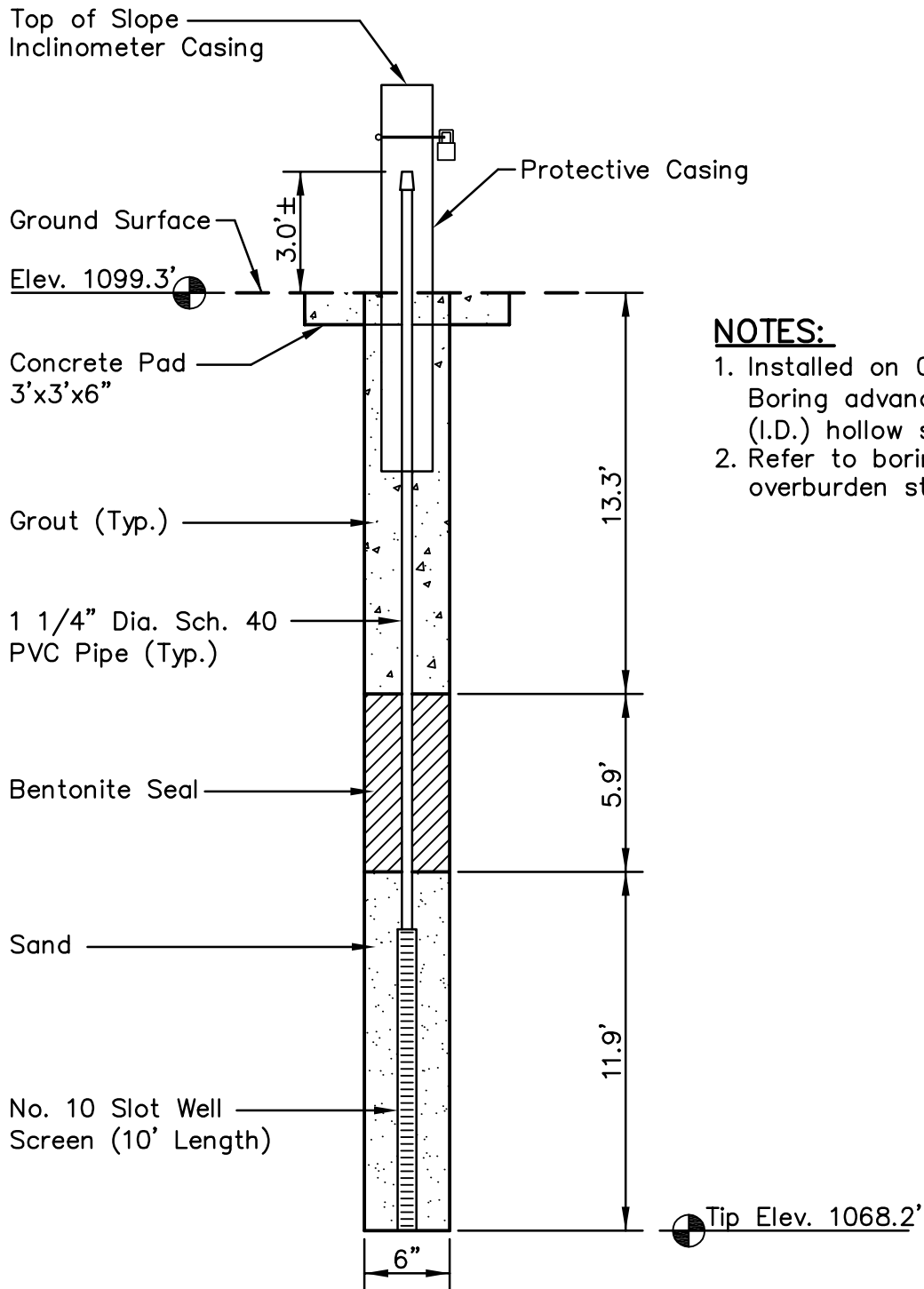


Stantec

Stantec Consulting
 Services Inc.
 1409 N. Forbes Rd.
 Lexington, Kentucky
 40511-2050
 859-422-3000

www.stantec.com

DRAWN BY	JRF	DATE	NOV., 2009	REVISED		SHEET
CHECKED BY	ARD	PROJ. NO.	175569038	1.	3.	1 OF 1
CHECKED BY	AAC	SCALE	NTS	2.	4.	



NOTES:

1. Installed on 04/04/2009. Boring advanced with 3.25" (I.D.) hollow stem augers.
2. Refer to boring log for overburden stratigraphy.

PLOT DATE: 10/21/2009 USER: FLYNN, RENEE V:\1755\ACTIVE\175569038\GEOTECHNICAL\DRAWING\INSTRUMENT\69038C-USF-301-FZJS59.DWG

LOCATION:

Northing: 734,047.10
 Easting: 2,889,202.69
 Ground Elevation: 1099.3 feet

Locations provided by TVA, Power Systems Operations, Surveying and Project Services.
 Horizontal Datum: NAD 27
 Vertical Datum: NGVD29

**PIEZOMETER JS-59
 JOHN SEVIER FOSSIL PLANT
 MAIN ASH STACK**

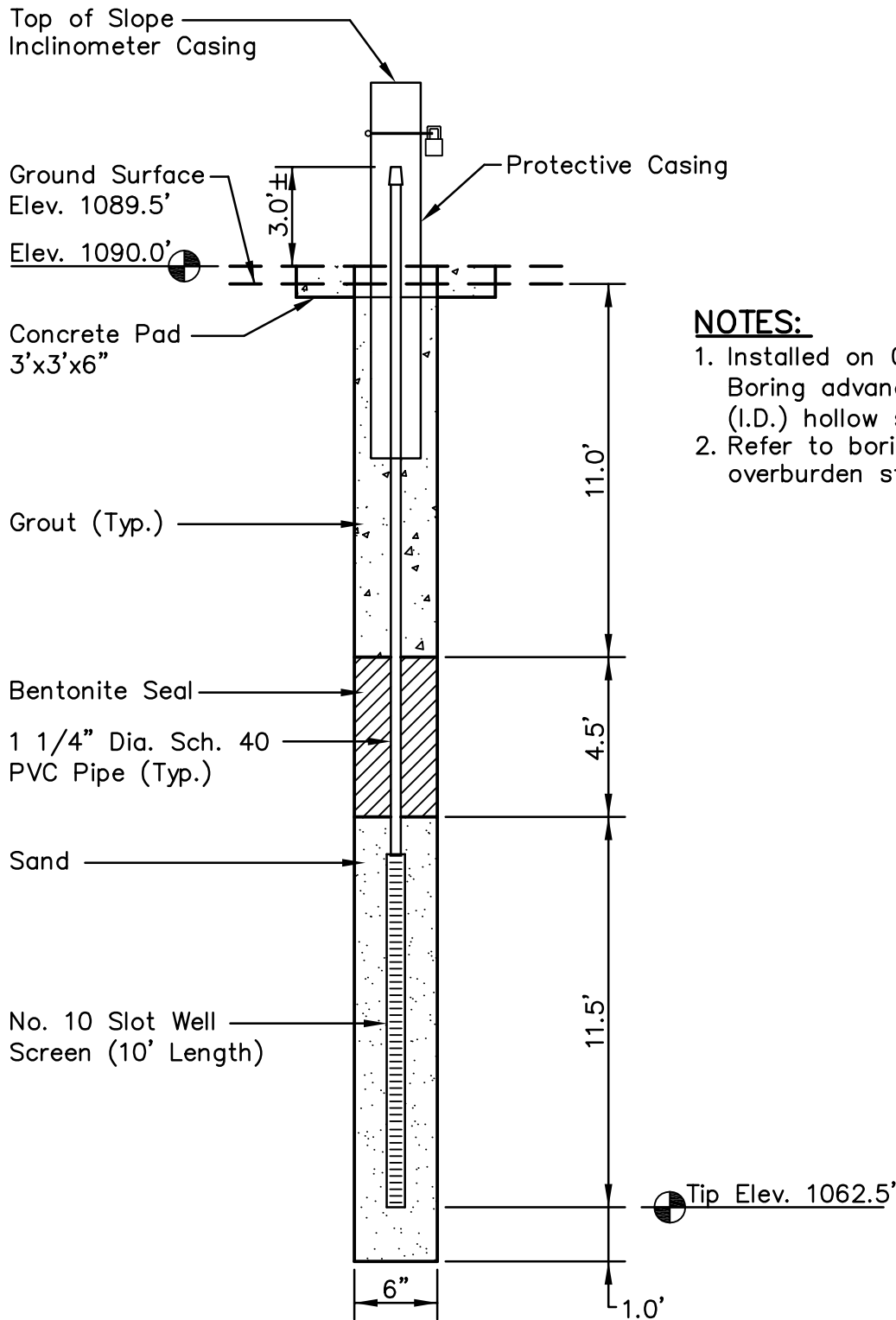


Stantec

Stantec Consulting Services Inc.
 1409 N. Forbes Rd.
 Lexington, Kentucky
 40511-2050
 859-422-3000

www.stantec.com

DRAWN BY	JRF	DATE	NOV., 2009	REVISED		SHEET
CHECKED BY	ARD	PROJ. NO.	175569038	1.	3.	1 OF 1
CHECKED BY	AAC	SCALE	NTS	2.	4.	



NOTES:

1. Installed on 08/24/2009. Boring advanced with 3.25" (I.D.) hollow stem augers.
2. Refer to boring log for overburden stratigraphy.

PLOT DATE: 10/21/2009 USER: FLYNN, RENEE V:\1755\ACTIVE\175569038\GEOTECHNICAL\DRAWING\INSTRUMENT\69038C-JSF-301-FZJS60B.DWG

LOCATION:

Northing: 736,515.46
 Easting: 2,891,699.27
 Ground Elevation: 1089.5 feet

Locations provided by TVA,
 Power Systems Operations,
 Surveying and Project Services.
 Horizontal Datum: NAD 27
 Vertical Datum: NGVD29

**PIEZOMETER JS-60B
 JOHN SEVIER FOSSIL PLANT
 MAIN ASH STACK**

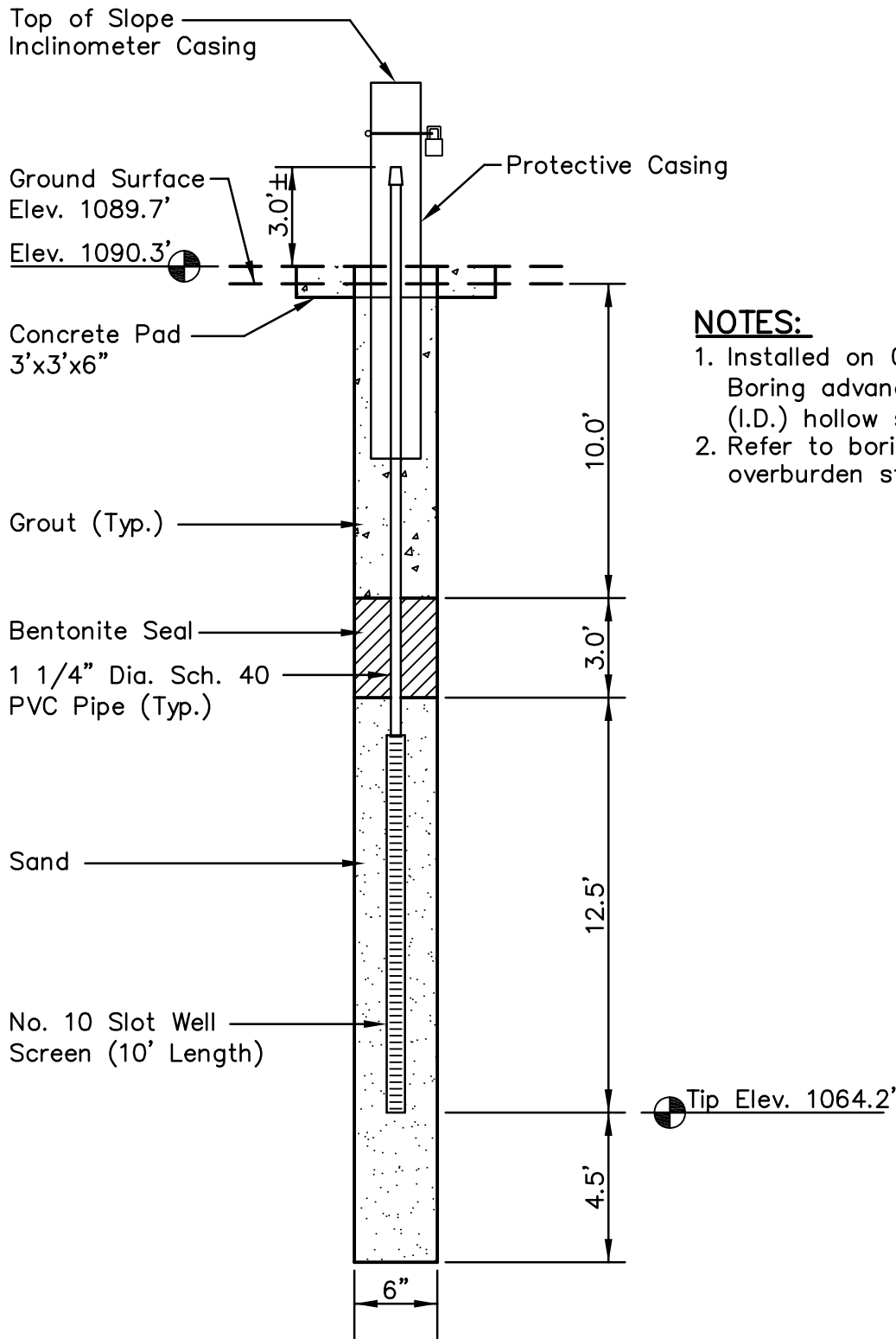


Stantec

Stantec Consulting
 Services Inc.
 1409 N. Forbes Rd.
 Lexington, Kentucky
 40511-2050
 859-422-3000

www.stantec.com

DRAWN BY	RWE	DATE	NOV., 2009	REVISED		SHEET
CHECKED BY	ARD	PROJ. NO.	175569038	1.	3.	1 OF 1
CHECKED BY	AAC	SCALE	NTS	2.	4.	



NOTES:

1. Installed on 08/20/2009. Boring advanced with 3.25" (I.D.) hollow stem augers.
2. Refer to boring log for overburden stratigraphy.

LOCATION:

Northing: 735,980.74
 Easting: 2,891,206.58
 Ground Elevation: 1089.7 feet

Locations provided by TVA, Power Systems Operations, Surveying and Project Services.
 Horizontal Datum: NAD 27
 Vertical Datum: NGVD29

**PIEZOMETER JS-61A
 JOHN SEVIER FOSSIL PLANT
 MAIN ASH STACK**



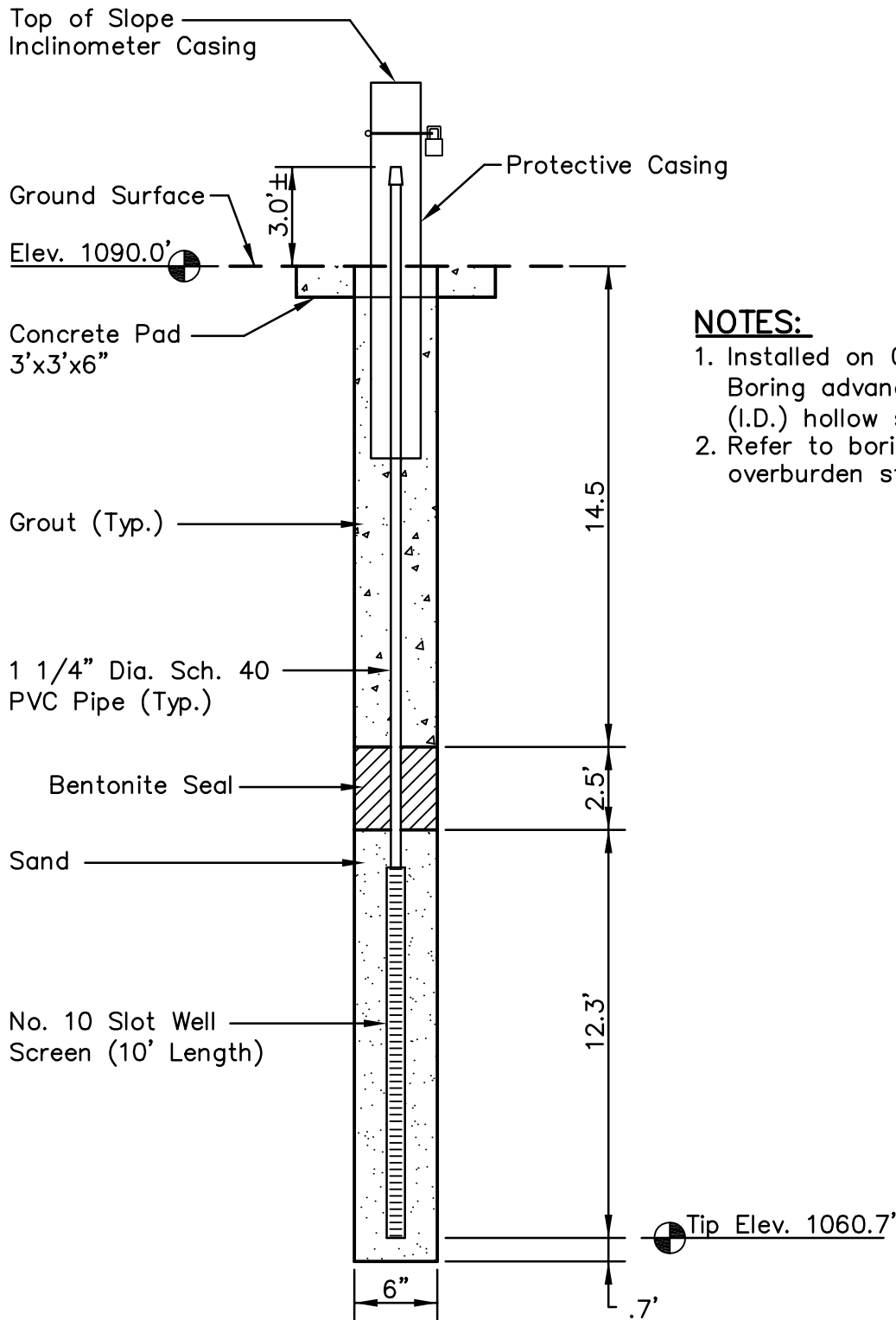
Stantec

Stantec Consulting Services Inc.
 1409 N. Forbes Rd.
 Lexington, Kentucky
 40511-2050
 859-422-3000

www.stantec.com

DRAWN BY	RWE	DATE	NOV., 2009	REVISED		SHEET
CHECKED BY	ARD	PROJ. NO.	175569038	1.	3.	1 OF 1
CHECKED BY	AAC	SCALE	NTS	2.	4.	

PLOT DATE: 10/21/2009 USER: FLYNN, RENEE V:\1755\ACTIVE\175569038\GEOTECHNICAL\DRAWING\INSTRUMENT\69038C-JSF-301-FZJS61A.DWG



NOTES:

1. Installed on 08/19/2009. Boring advanced with 3.25" (I.D.) hollow stem augers.
2. Refer to boring log for overburden stratigraphy.

PLOT DATE: 10/21/2009 USER: FLYNN, RENEE V:\1755\ACTIVE\175569038\GEOTECHNICAL\DRAWING\INSTRUMENT\69038C-JSF-301-FZJS62B.DWG

LOCATION:

Northing: 735,316.23
 Easting: 2,890,442.25
 Ground Elevation: 1090.0 feet

Locations provided by TVA,
 Power Systems Operations,
 Surveying and Project Services.
 Horizontal Datum: NAD 27
 Vertical Datum: NGVD29

PIEZOMETER JS-62B
JOHN SEVIER FOSSIL PLANT
MAIN ASH STACK

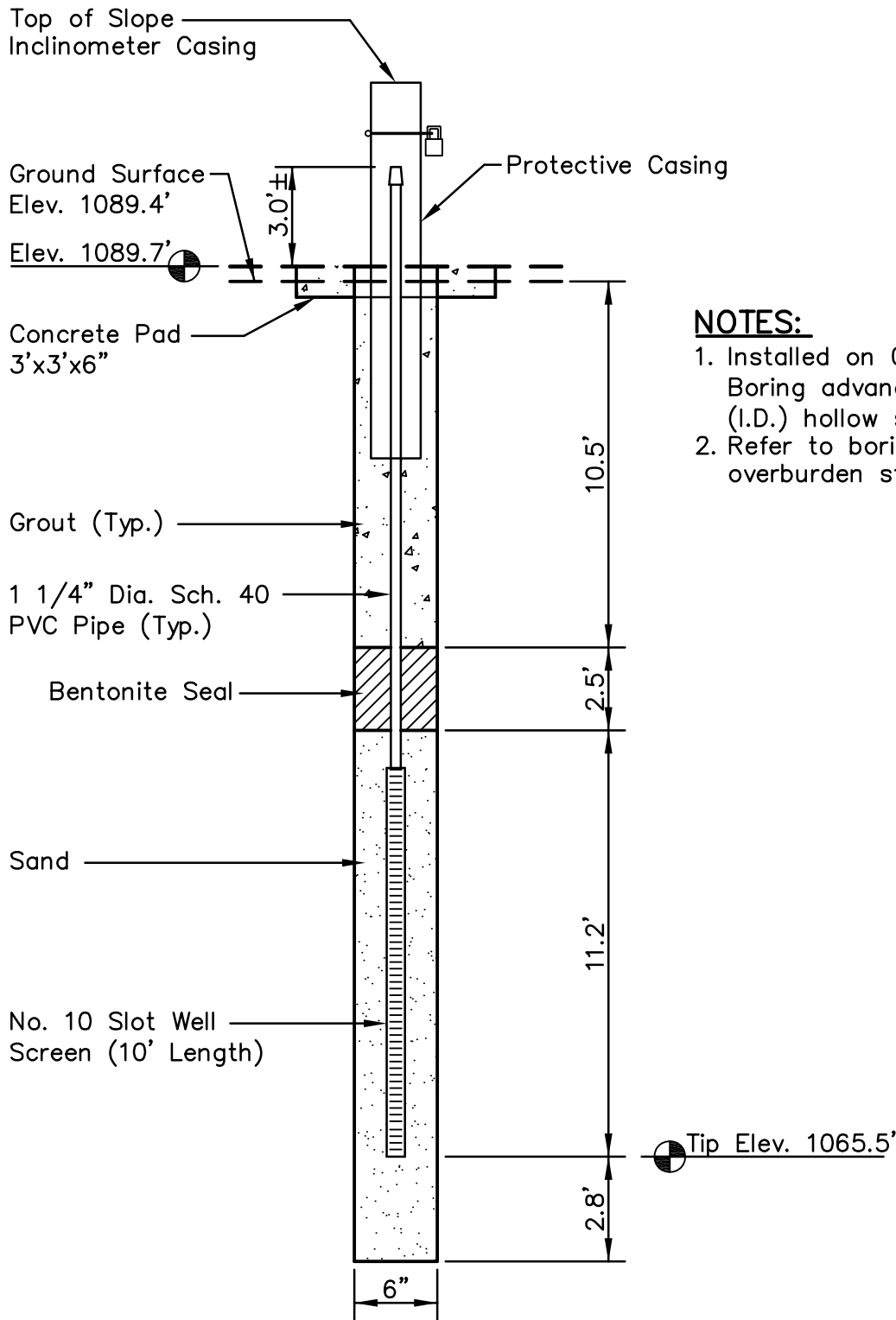


Stantec

Stantec Consulting
 Services Inc.
 1409 N. Forbes Rd.
 Lexington, Kentucky
 40511-2050
 859-422-3000

www.stantec.com

DRAWN BY	RWE	DATE	NOV., 2009	REVISED		SHEET
CHECKED BY	ARD	PROJ. NO.	175569038	1.	3.	1 OF 1
CHECKED BY	AAC	SCALE	NTS	2.	4.	



NOTES:

1. Installed on 08/18/2009. Boring advanced with 3.25" (I.D.) hollow stem augers.
2. Refer to boring log for overburden stratigraphy.

PLOT DATE: 10/21/2009 USER: FLYNN, RENEE V:\1755\ACTIVE\175569038\GEOTECHNICAL\DRAWING\INSTRUMENT\69038C-JSF-301-PZJS63B.DWG

LOCATION:

Northing: 734,987.89
 Easting: 2,890,023.29
 Ground Elevation: 1089.4 feet

Locations provided by TVA,
 Power Systems Operations,
 Surveying and Project Services.
 Horizontal Datum: NAD 27
 Vertical Datum: NGVD29

PIEZOMETER JS-63B
JOHN SEVIER FOSSIL PLANT
MAIN ASH STACK

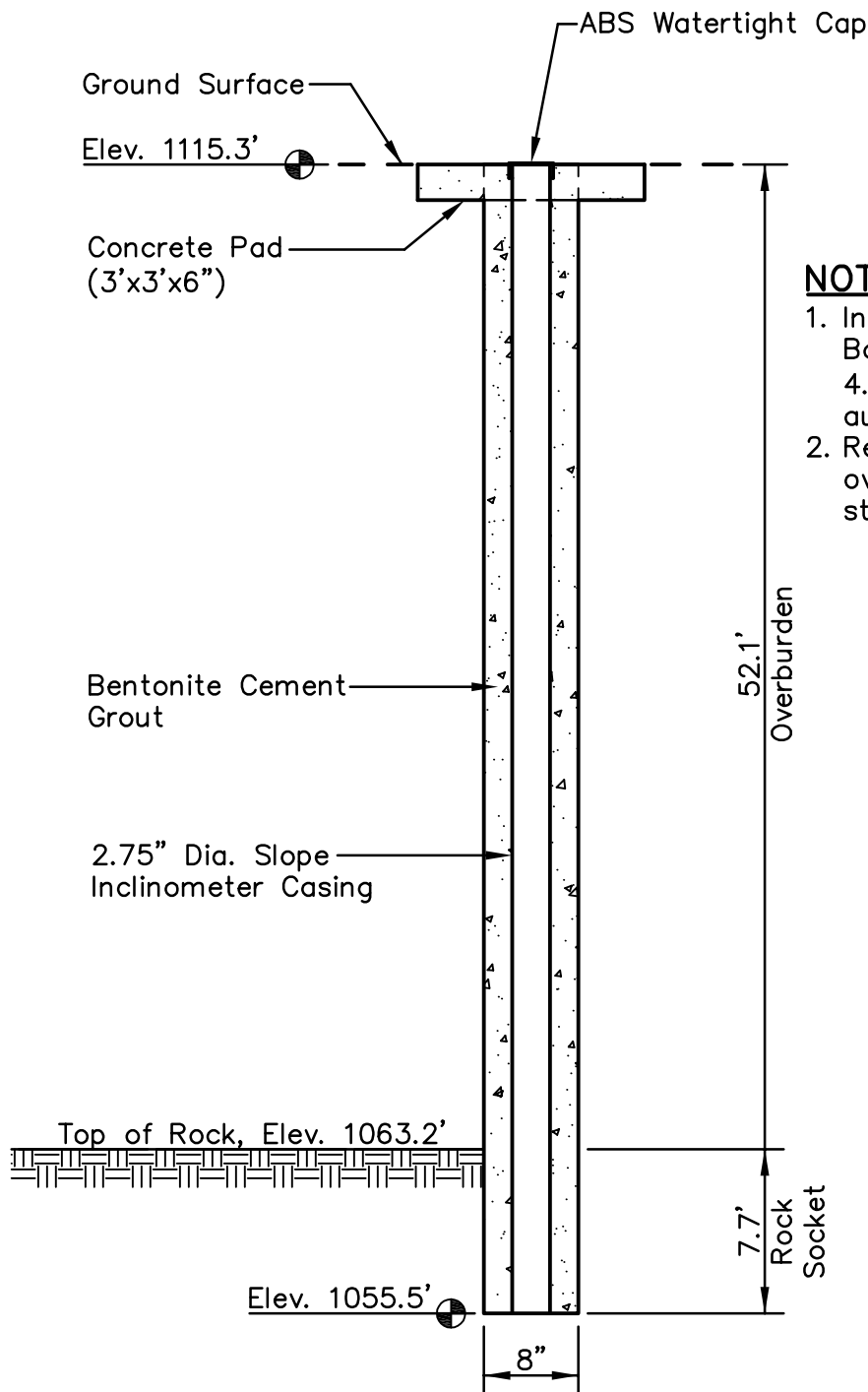


Stantec

Stantec Consulting
 Services Inc.
 1409 N. Forbes Rd.
 Lexington, Kentucky
 40511-2050
 859-422-3000

www.stantec.com

DRAWN BY	RWE	DATE	NOV., 2009	REVISED		SHEET
CHECKED BY	ARD	PROJ. NO.	175569038	1.	3.	1 OF 1
CHECKED BY	AAC	SCALE	NTS	2.	4.	



NOTES:

1. Installed on 05/01/2009. Boring advanced with 4.25-inch (I.D.) hollow stem augers.
2. Refer to boring log for overburden and rock stratigraphy.

DATE: 10/21/2009 USER: FLYNN, RENEE V: \\1755\ACTIVE\175569038\GEO\TECHNICAL\DRAWING\INSTRUMENT\69038C-JSF-301-SIJS11.DWG

LOCATION:

Northing: 736,817.60
 Easting: 2,892,703.95
 Ground Elevation: 1115.3 feet

Locations provided by TVA,
 Power Systems Operations,
 Surveying and Project Services.
 Horizontal Datum: NAD 27
 (Tennessee Lambert)
 Vertical Datum: NGVD29

SLOPE INCLINOMETER JS-11
JOHN SEVIER FOSSIL PLANT
MAIN ASH STACK

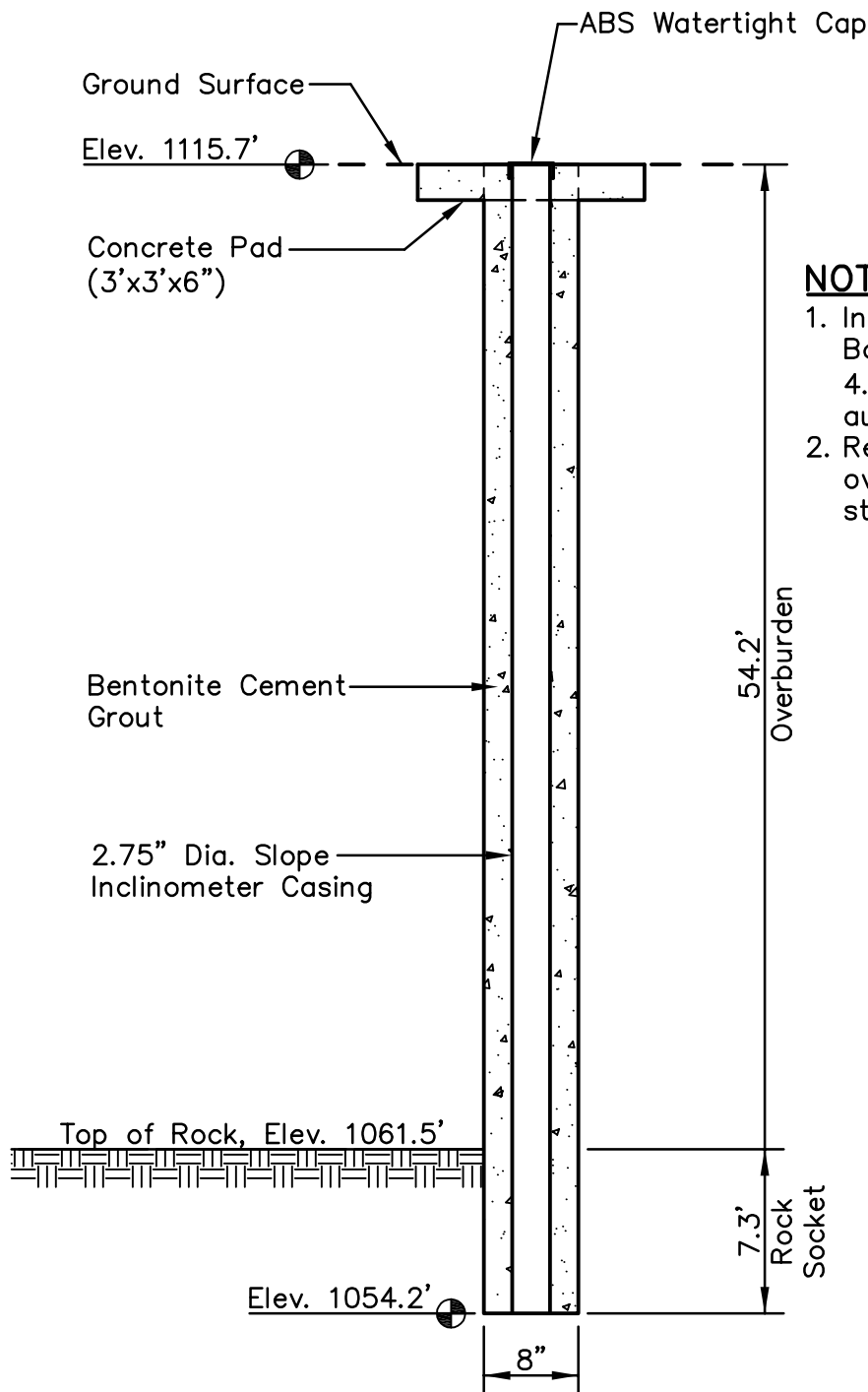


Stantec

Stantec Consulting
 Services Inc.
 1409 N. Forbes Rd.
 Lexington, Kentucky
 40511-2050
 859-422-3000

www.stantec.com

DRAWN BY	RWE	DATE	NOV., 2009		REVISED		SHEET
CHECKED BY	ARD	PROJ. NO.	175569038	1.		3.	1 OF 1
CHECKED BY	DLB	SCALE	NTS	2.		4.	



NOTES:

1. Installed on 04/15/2009. Boring advanced with 4.25-inch (I.D.) hollow stem augers.
2. Refer to boring log for overburden and rock stratigraphy.

DATE: 10/21/2009 USER: FLYNN, RENEE V: \1755\ACTIVE\175569038\GEO\TECHNICAL\DRAWING\INSTRUMENT\69038C-JSF-301-SIJS16.DWG

LOCATION:

Northing: 737,079.51
 Easting: 2,892,528.69
 Ground Elevation: 1115.7 feet

Locations provided by TVA,
 Power Systems Operations,
 Surveying and Project Services.
 Horizontal Datum: NAD 27
 (Tennessee Lambert)
 Vertical Datum: NGVD29

SLOPE INCLINOMETER JS-16
JOHN SEVIER FOSSIL PLANT
MAIN ASH STACK

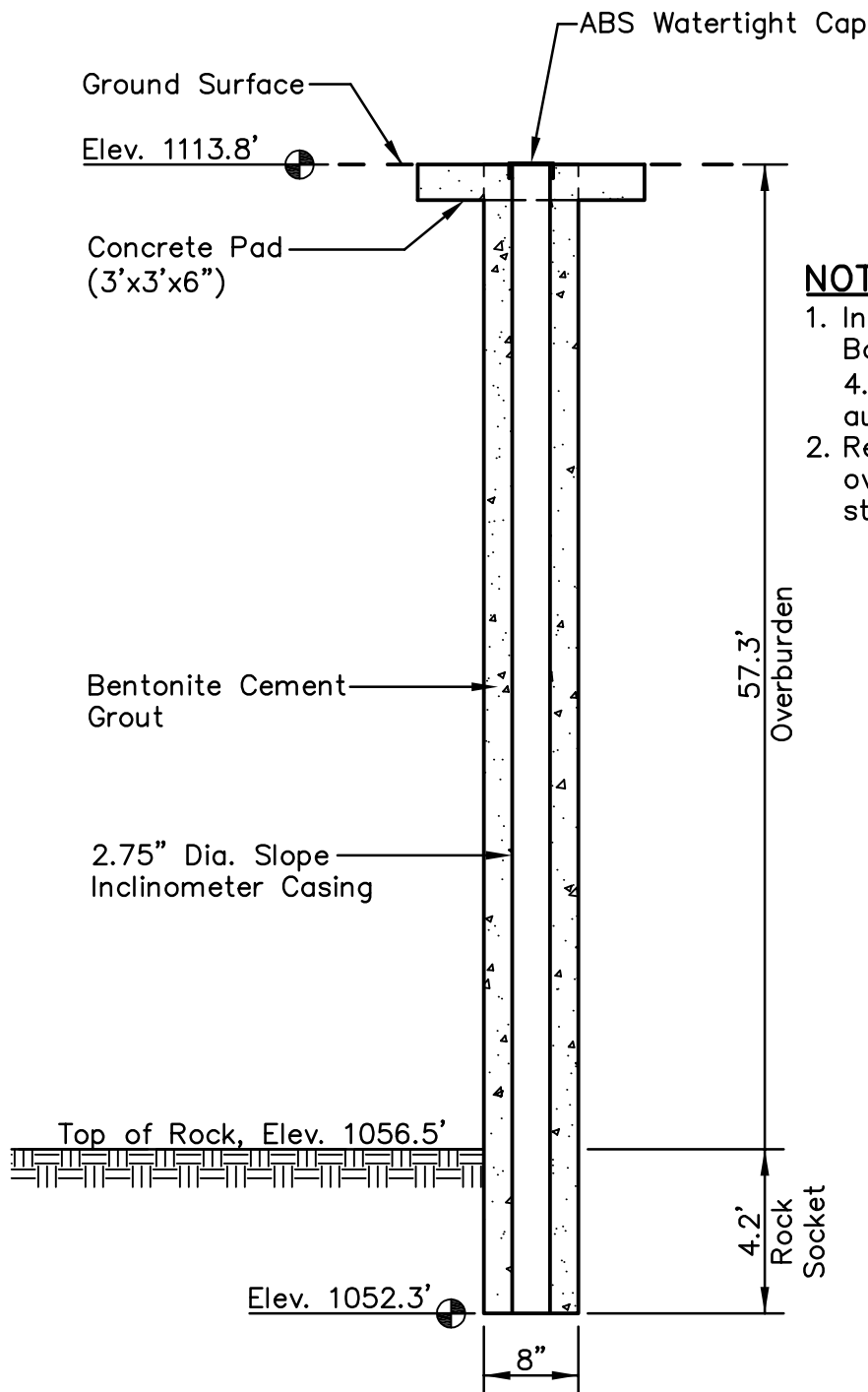


Stantec

Stantec Consulting
 Services Inc.
 1409 N. Forbes Rd.
 Lexington, Kentucky
 40511-2050
 859-422-3000

www.stantec.com

DRAWN BY	RWE	DATE	NOV., 2009		REVISED		SHEET
CHECKED BY	ARD	PROJ. NO.	175569038	1.		3.	1 OF 1
CHECKED BY	DLB	SCALE	NTS	2.		4.	



NOTES:

1. Installed on 04/14/2009. Boring advanced with 4.25-inch (I.D.) hollow stem augers.
2. Refer to boring log for overburden and rock stratigraphy.

DATE: 10/21/2009 USER: FLYNN, RENEE V: \\1755\ACTIVE\175569038\GEO\TECHNICAL\DRAWING\INSTRUMENT\69038C-JSF-301-SIJS20.DWG

LOCATION:

Northing: 736,826.84
 Easting: 2,892,070.81
 Ground Elevation: 1113.8 feet

Locations provided by TVA,
 Power Systems Operations,
 Surveying and Project Services.
 Horizontal Datum: NAD 27
 (Tennessee Lambert)
 Vertical Datum: NGVD29

SLOPE INCLINOMETER JS-20
JOHN SEVIER FOSSIL PLANT
MAIN ASH STACK

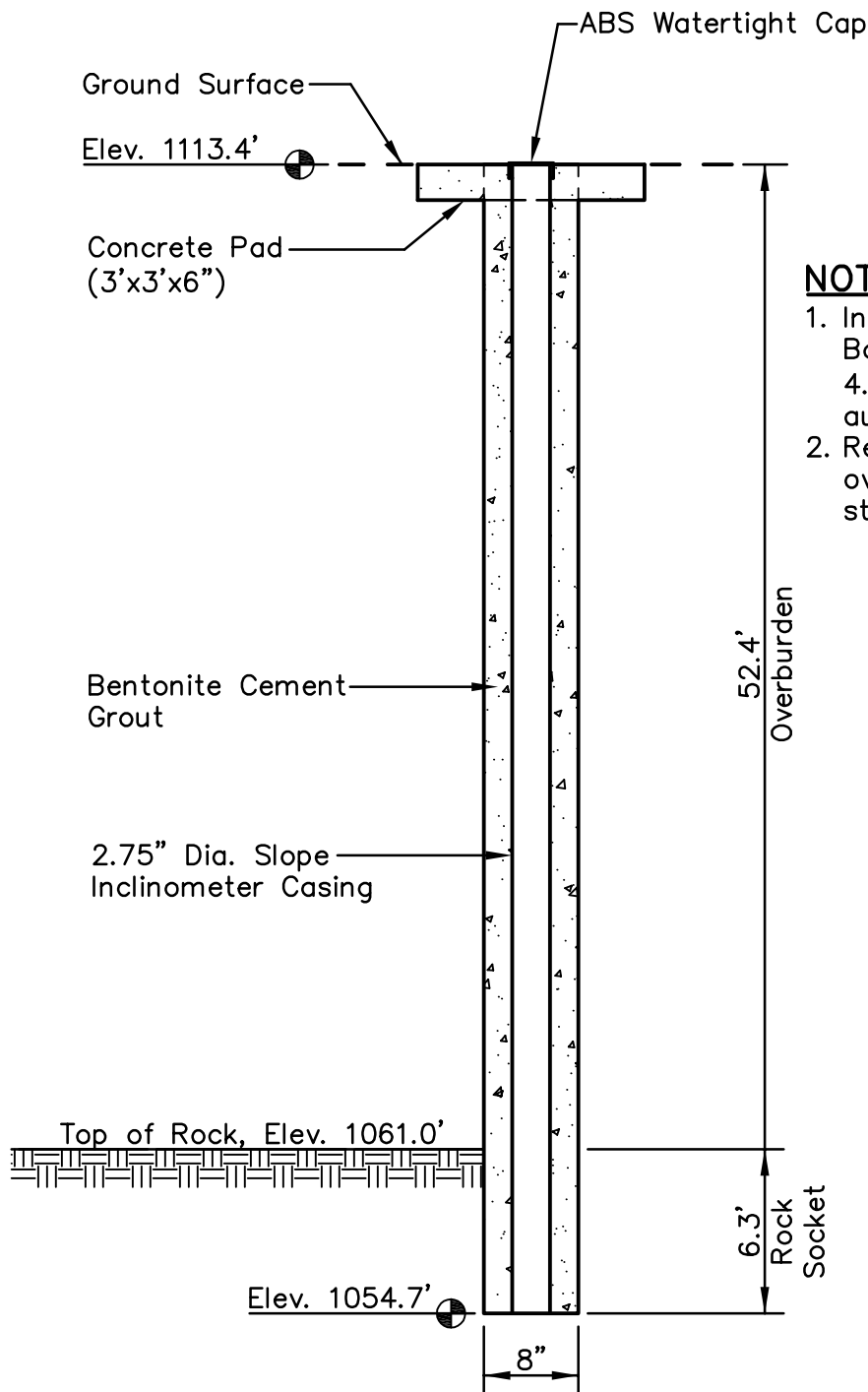


Stantec

Stantec Consulting
 Services Inc.
 1409 N. Forbes Rd.
 Lexington, Kentucky
 40511-2050
 859-422-3000

www.stantec.com

DRAWN BY	RWE	DATE	NOV., 2009	REVISED		1 OF 1
CHECKED BY	ARD	PROJ. NO.	175569038	1.	3.	
CHECKED BY	DLB	SCALE	NTS	2.	4.	



NOTES:

1. Installed on 04/07/2009. Boring advanced with 4.25-inch (I.D.) hollow stem augers.
2. Refer to boring log for overburden and rock stratigraphy.

DATE: 10/21/2009 USER: FLYNN, RENEE V: \\1755\ACTIVE\175569038\GEO\TECHNICAL\DRAWING\INSTRUMENT\69038C-JSF-301-SIJS24.DWG

LOCATION:

Northing: 736,463.59
 Easting: 2,891,743.40
 Ground Elevation: 1113.4 feet

Locations provided by TVA,
 Power Systems Operations,
 Surveying and Project Services.
 Horizontal Datum: NAD 27
 (Tennessee Lambert)
 Vertical Datum: NGVD29

SLOPE INCLINOMETER JS-24
JOHN SEVIER FOSSIL PLANT
MAIN ASH STACK

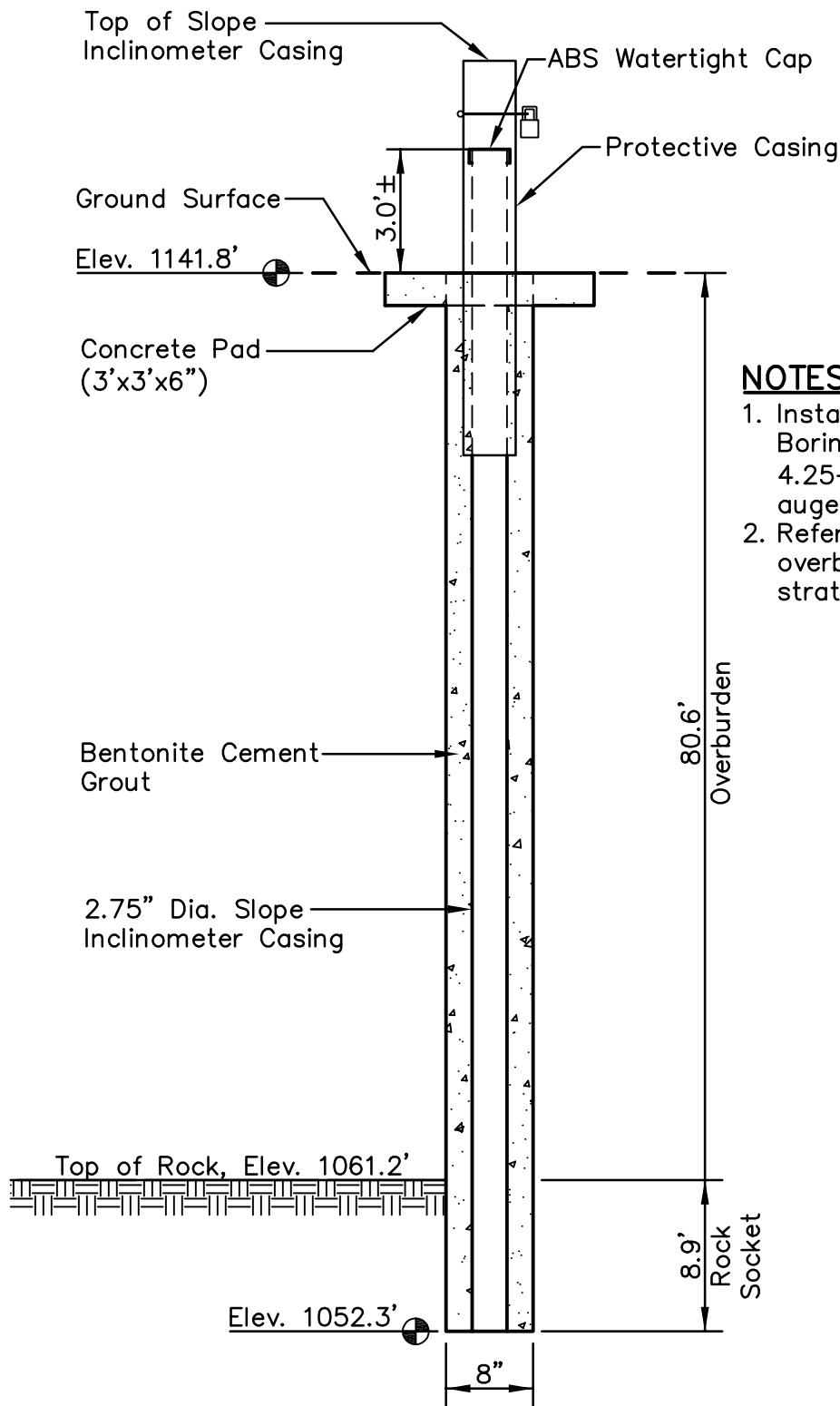


Stantec

Stantec Consulting
 Services Inc.
 1409 N. Forbes Rd.
 Lexington, Kentucky
 40511-2050
 859-422-3000

www.stantec.com

DRAWN BY	RWE	DATE	NOV., 2009	REVISED		SHEET 1 OF 1
CHECKED BY	ARD	PROJ. NO.	175569038	1.	3.	
CHECKED BY	DLB	SCALE	NTS	2.	4.	



NOTES:

1. Installed on 05/29/2009. Boring advanced with 4.25-inch (I.D.) hollow stem augers.
2. Refer to boring log for overburden and rock stratigraphy.

DATE: 10/21/2009 USER: FLYNN, RENEE V: \1755\ACTIVE\175569038\GEO\TECHNICAL\DRAWING\INSTRUMENT\69038C-JSF-301-SIJS26.DWG

LOCATION:

Northing: 736,300.23
 Easting: 2,891,894.54
 Ground Elevation: 1141.8 feet

Locations provided by TVA, Power Systems Operations, Surveying and Project Services.
 Horizontal Datum: NAD 27 (Tennessee Lambert)
 Vertical Datum: NGVD29

**SLOPE INCLINOMETER JS-26
 JOHN SEVIER FOSSIL PLANT
 MAIN ASH STACK**

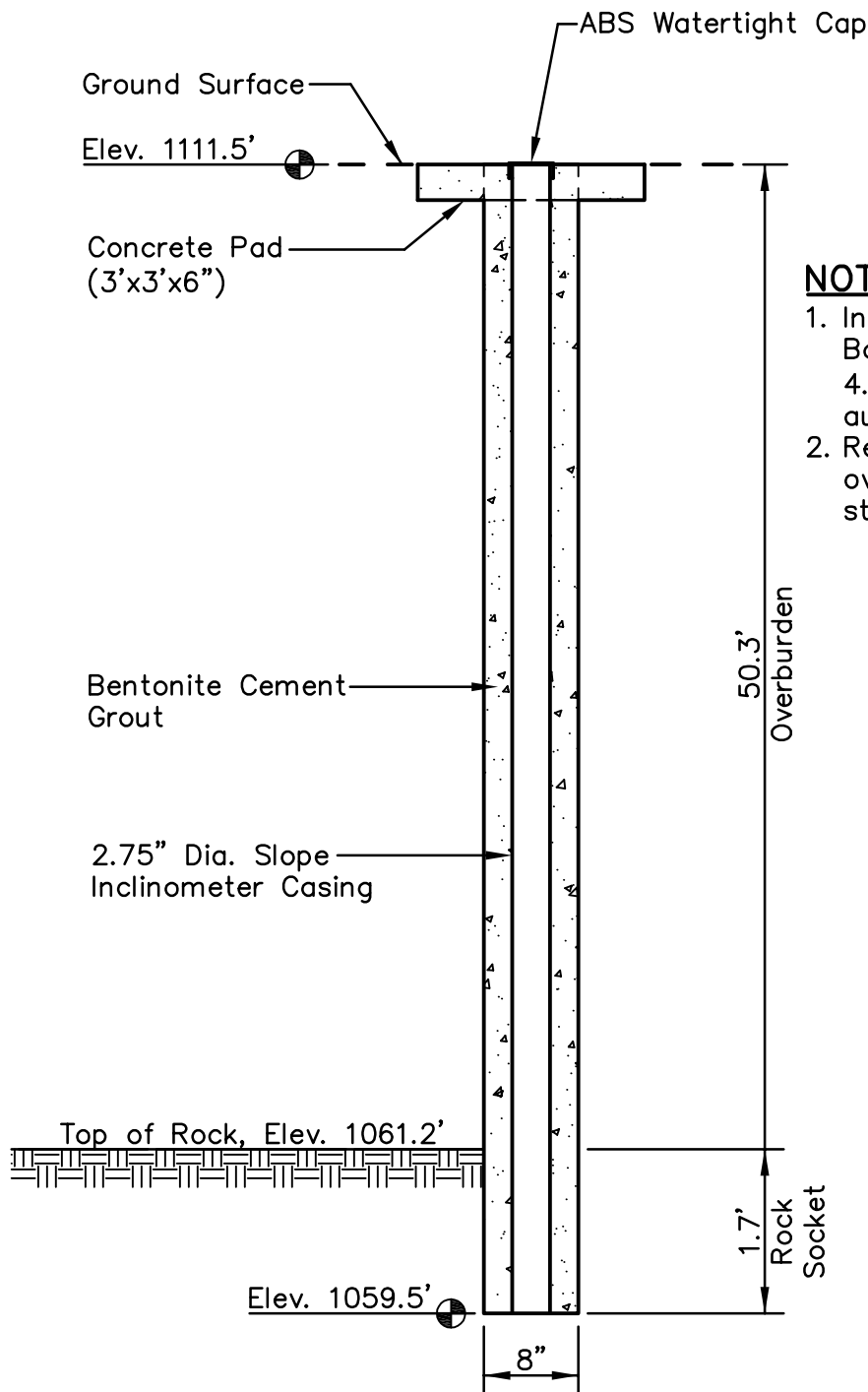


Stantec

Stantec Consulting Services Inc.
 1409 N. Forbes Rd.
 Lexington, Kentucky
 40511-2050
 859-422-3000

www.stantec.com

DRAWN BY	RWE	DATE	NOV., 2009	REVISED		SHEET
CHECKED BY	ARD	PROJ. NO.	175569038	1.	3.	1 OF 1
CHECKED BY	DLB	SCALE	NTS	2.	4.	



NOTES:

1. Installed on 04/06/2009. Boring advanced with 4.25-inch (I.D.) hollow stem augers.
2. Refer to boring log for overburden and rock stratigraphy.

DATE: 10/21/2009 USER: FLYNN, RENEE V: \\1755\ACTIVE\175569038\GEO\TECHNICAL\DRAWING\INSTRUMENT\69038C-JSF-301-SIJS29.DWG

LOCATION:

Northing: 735,935.78
 Easting: 2,891,247.73
 Ground Elevation: 1111.5 feet

Locations provided by TVA,
 Power Systems Operations,
 Surveying and Project Services.
 Horizontal Datum: NAD 27
 (Tennessee Lambert)
 Vertical Datum: NGVD29

SLOPE INCLINOMETER JS-29
JOHN SEVIER FOSSIL PLANT
MAIN ASH STACK

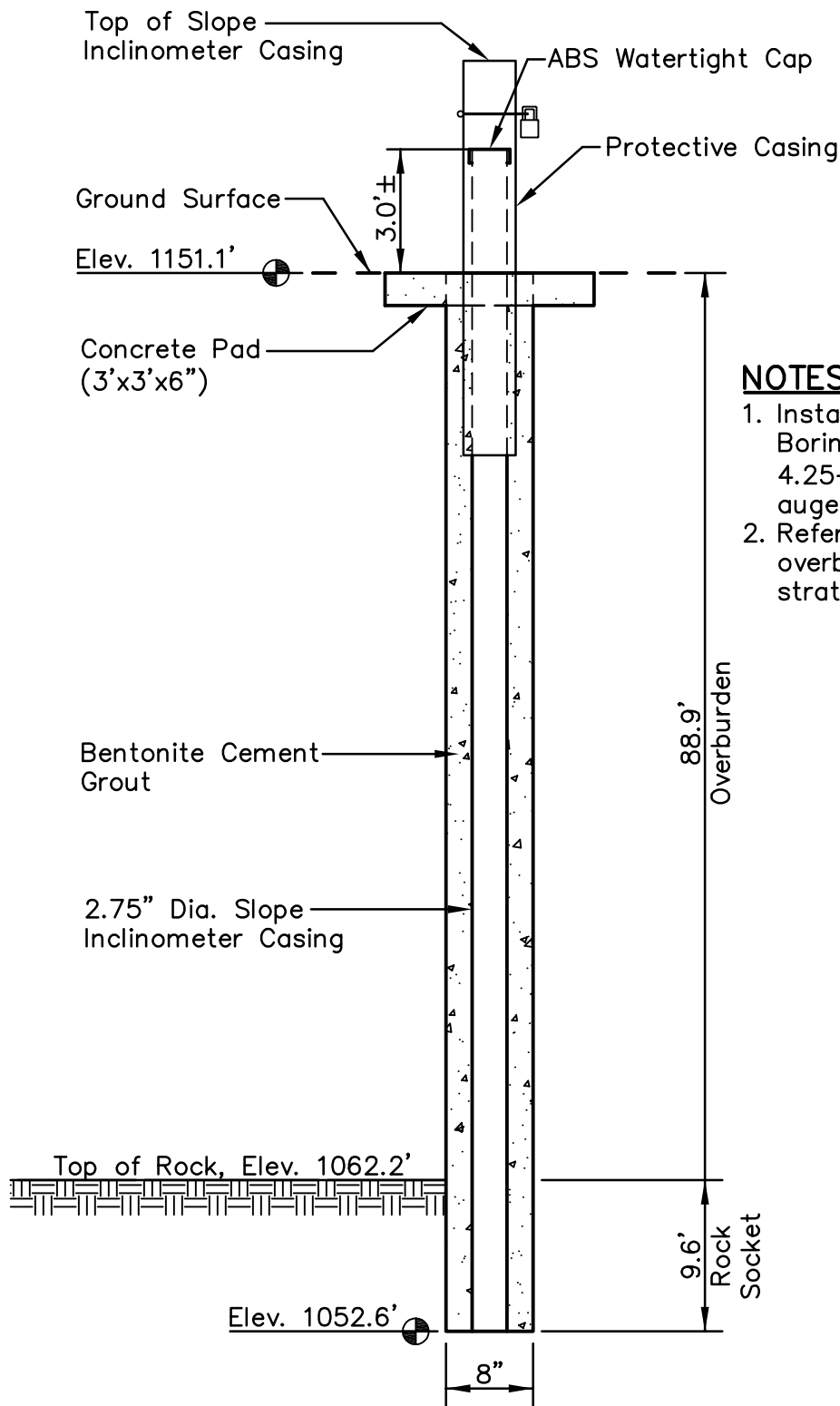


Stantec

Stantec Consulting
 Services Inc.
 1409 N. Forbes Rd.
 Lexington, Kentucky
 40511-2050
 859-422-3000

www.stantec.com

DRAWN BY	RWE	DATE	NOV., 2009	REVISED		1 OF 1
CHECKED BY	ARD	PROJ. NO.	175569038	1.	3.	
CHECKED BY	DLB	SCALE	NTS	2.	4.	



NOTES:

1. Installed on 05/17/2009. Boring advanced with 4.25-inch (I.D.) hollow stem augers.
2. Refer to boring log for overburden and rock stratigraphy.

DATE: 10/21/2009 USER: FLYNN, RENEE V: \1755\ACTIVE\175569038\GEO\TECHNICAL\DRAWING\INSTRUMENT\69038C-JSF-301-SIJS31.DWG

LOCATION:

Northing: 735,755.45
 Easting: 2,891,418.56
 Ground Elevation: 1151.1 feet

Locations provided by TVA, Power Systems Operations, Surveying and Project Services.
 Horizontal Datum: NAD 27 (Tennessee Lambert)
 Vertical Datum: NGVD29

**SLOPE INCLINOMETER JS-31
 JOHN SEVIER FOSSIL PLANT
 MAIN ASH STACK**

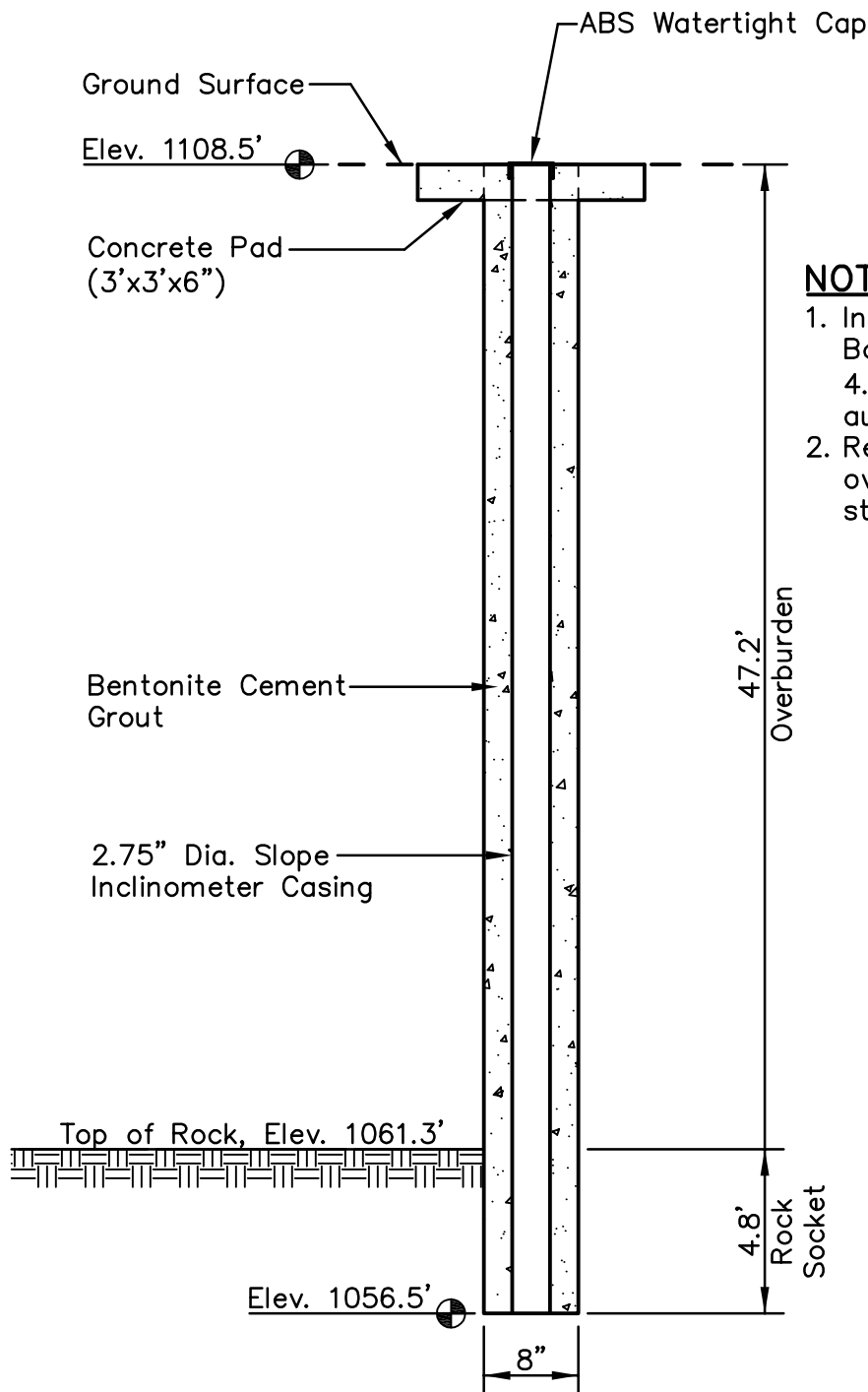


Stantec

Stantec Consulting Services Inc.
 1409 N. Forbes Rd.
 Lexington, Kentucky
 40511-2050
 859-422-3000

www.stantec.com

DRAWN BY	RWE	DATE	NOV., 2009	REVISED		SHEET
CHECKED BY	ARD	PROJ. NO.	175569038	1.	3.	1 OF 1
CHECKED BY	DLB	SCALE	NTS	2.	4.	



NOTES:

1. Installed on 04/05/2009. Boring advanced with 4.25-inch (I.D.) hollow stem augers.
2. Refer to boring log for overburden and rock stratigraphy.

DATE: 10/21/2009 USER: FLYNN, RENEE V: \\1755\ACTIVE\175569038\GEO\TECHNICAL\DRAWING\INSTRUMENT\69038C-JSF-301-SIJS36.DWG

LOCATION:

Northing: 735,478.03
 Easting: 2,890,742.60
 Ground Elevation: 1108.5 feet

Locations provided by TVA,
 Power Systems Operations,
 Surveying and Project Services.
 Horizontal Datum: NAD 27
 (Tennessee Lambert)
 Vertical Datum: NGVD29

SLOPE INCLINOMETER JS-36
JOHN SEVIER FOSSIL PLANT
MAIN ASH STACK

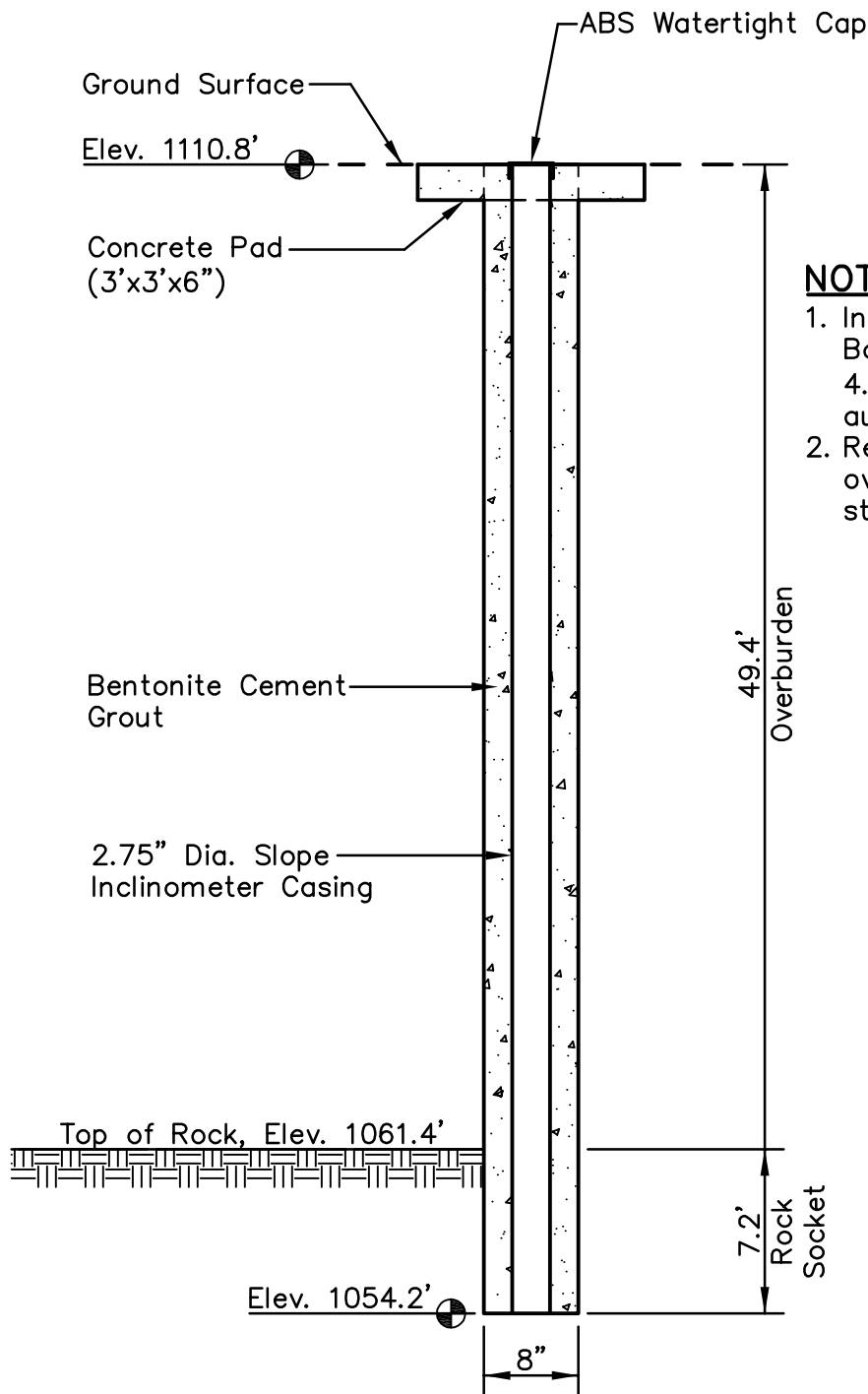


Stantec

Stantec Consulting
 Services Inc.
 1409 N. Forbes Rd.
 Lexington, Kentucky
 40511-2050
 859-422-3000

www.stantec.com

DRAWN BY	RWE	DATE	NOV., 2009		REVISED		SHEET
CHECKED BY	ARD	PROJ. NO.	175569038	1.		3.	1 OF 1
CHECKED BY	DLB	SCALE	NTS	2.		4.	



NOTES:

1. Installed on 04/16/2009. Boring advanced with 4.25-inch (I.D.) hollow stem augers.
2. Refer to boring log for overburden and rock stratigraphy.

DATE: 10/21/2009 USER: FLYNN, RENEE V: 1755\ACTIVE\175569038\GEO\TECHNICAL\DRAWING\INSTRUMENT\69038C-JSF-301-SIJS36B.DWG

LOCATION:

Northing: 735,703.43
 Easting: 2,891,025.07
 Ground Elevation: 1110.8 feet

Locations provided by TVA,
 Power Systems Operations,
 Surveying and Project Services.
 Horizontal Datum: NAD 27
 (Tennessee Lambert)
 Vertical Datum: NGVD29

SLOPE INCLINOMETER JS-36B
JOHN SEVIER FOSSIL PLANT
MAIN ASH STACK

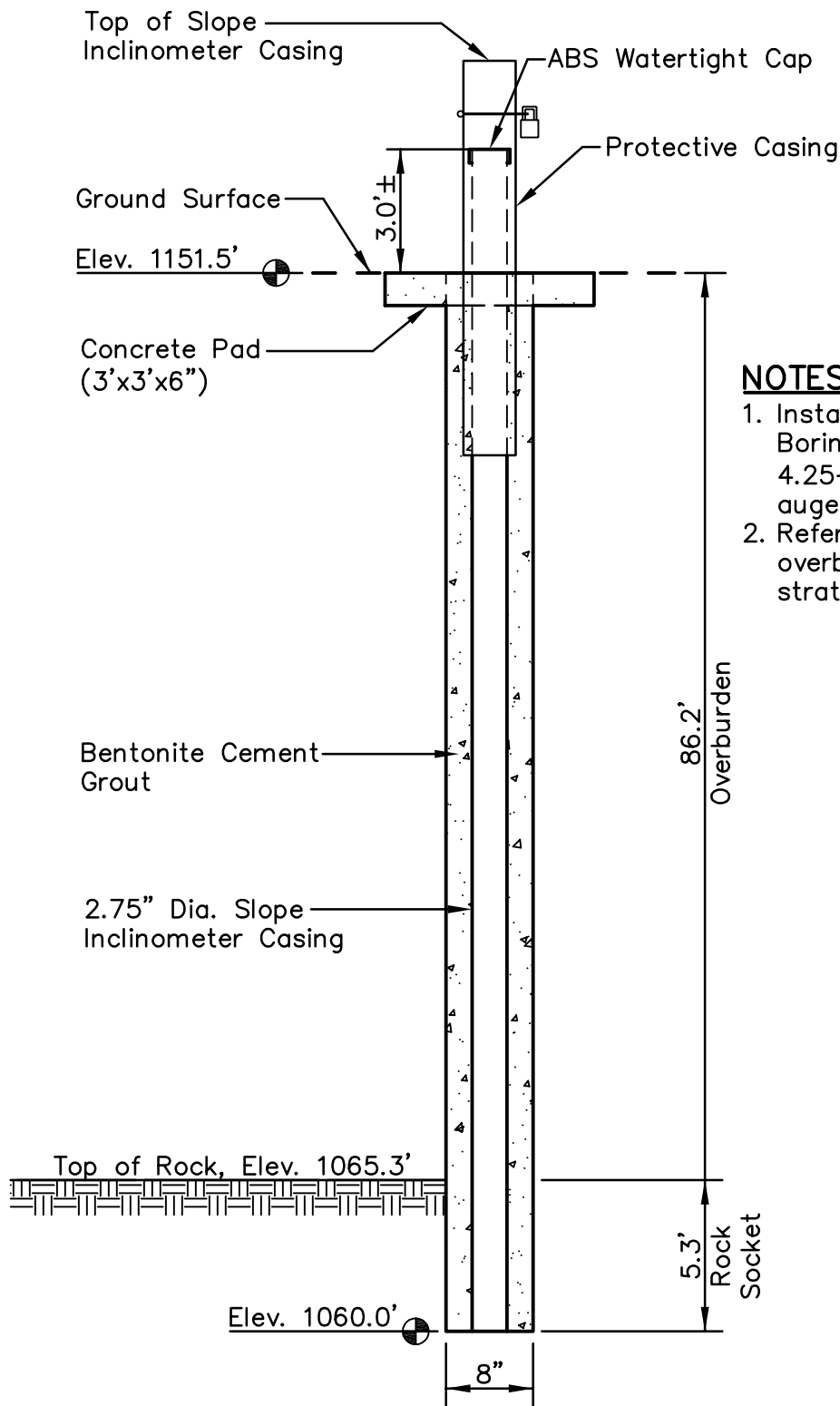


Stantec

Stantec Consulting
 Services Inc.
 1409 N. Forbes Rd.
 Lexington, Kentucky
 40511-2050
 859-422-3000

www.stantec.com

DRAWN BY	RWE	DATE	NOV., 2009		REVISED		SHEET
CHECKED BY	ARD	PROJ. NO.	175569038	1.		3.	1 OF 1
CHECKED BY	DLB	SCALE	NTS	2.		4.	



NOTES:

1. Installed on 05/16/2009. Boring advanced with 4.25-inch (I.D.) hollow stem augers.
2. Refer to boring log for overburden and rock stratigraphy.

DATE: 10/21/2009 USER: FLYNN, RENEE V: \1755\ACTIVE\175569038\GEO\TECHNICAL\DRAWING\INSTRUMENT\69038C-JSF-301-SIJS38.DWG

LOCATION:

Northing: 735,263.83
 Easting: 2,890,906.40
 Ground Elevation: 1151.5 feet

Locations provided by TVA,
 Power Systems Operations,
 Surveying and Project Services.
 Horizontal Datum: NAD 27
 (Tennessee Lambert)
 Vertical Datum: NGVD29

SLOPE INCLINOMETER JS-38
JOHN SEVIER FOSSIL PLANT
MAIN ASH STACK

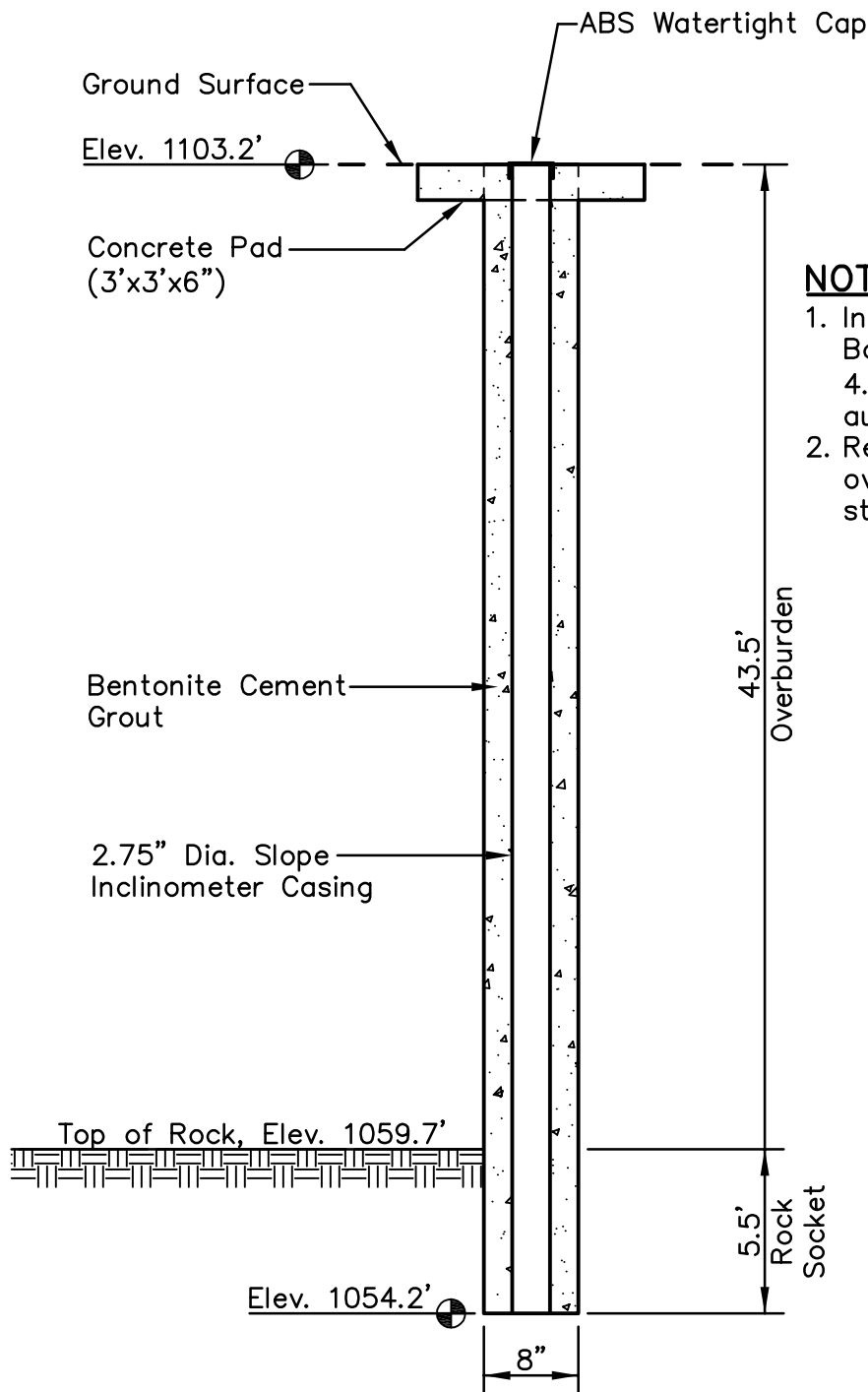


Stantec

Stantec Consulting
 Services Inc.
 1409 N. Forbes Rd.
 Lexington, Kentucky
 40511-2050
 859-422-3000

www.stantec.com

DRAWN BY	RWE	DATE	NOV., 2009	REVISED		SHEET
CHECKED BY	ARD	PROJ. NO.	175569038	1.	3.	1 OF 1
CHECKED BY	DLB	SCALE	NTS	2.	4.	



NOTES:

1. Installed on 04/04/2009. Boring advanced with 4.25-inch (I.D.) hollow stem augers.
2. Refer to boring log for overburden and rock stratigraphy.

DATE: 10/21/2009 USER: FLYNN, RENEE V: 1755\ACTIVE\175569038\GEO\TECHNICAL\DRAWING\INSTRUMENT\69038C-JSF-301-SIJS44.DWG

LOCATION:

Northing: 735,219.55
 Easting: 2,890,399.56
 Ground Elevation: 1103.2 feet

Locations provided by TVA,
 Power Systems Operations,
 Surveying and Project Services.
 Horizontal Datum: NAD 27
 (Tennessee Lambert)
 Vertical Datum: NGVD29

SLOPE INCLINOMETER JS-44
JOHN SEVIER FOSSIL PLANT
MAIN ASH STACK

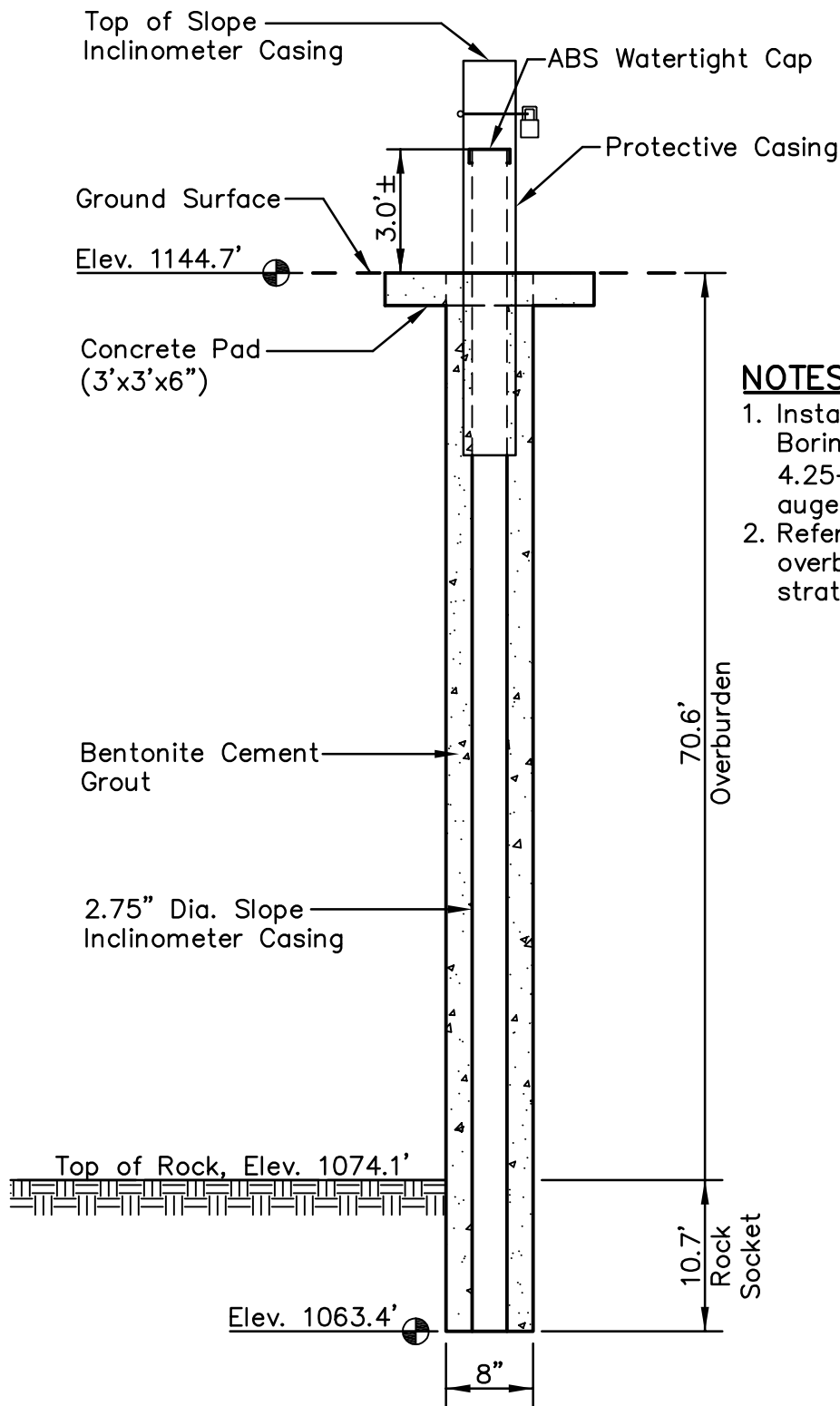


Stantec

Stantec Consulting
 Services Inc.
 1409 N. Forbes Rd.
 Lexington, Kentucky
 40511-2050
 859-422-3000

www.stantec.com

DRAWN BY	RWE	DATE	NOV., 2009		REVISED			SHEET
CHECKED BY	ARD	PROJ. NO.	175569038	1.		3.		1 OF 1
CHECKED BY	DLB	SCALE	NTS	2.		4.		



NOTES:

1. Installed on 05/14/2009. Boring advanced with 4.25-inch (I.D.) hollow stem augers.
2. Refer to boring log for overburden and rock stratigraphy.

DATE: 10/21/2009 USER: FLYNN, RENEE V: \\1755\ACTIVE\175569038\GEO\TECHNICAL\DRAWING\INSTRUMENT\69038C-JSF-301-SIJS46.DWG

LOCATION:

Northing: 735,006.11
 Easting: 2,890,560.28
 Ground Elevation: 1144.7 feet

Locations provided by TVA, Power Systems Operations, Surveying and Project Services.
 Horizontal Datum: NAD 27 (Tennessee Lambert)
 Vertical Datum: NGVD29

**SLOPE INCLINOMETER JS-46
 JOHN SEVIER FOSSIL PLANT
 MAIN ASH STACK**

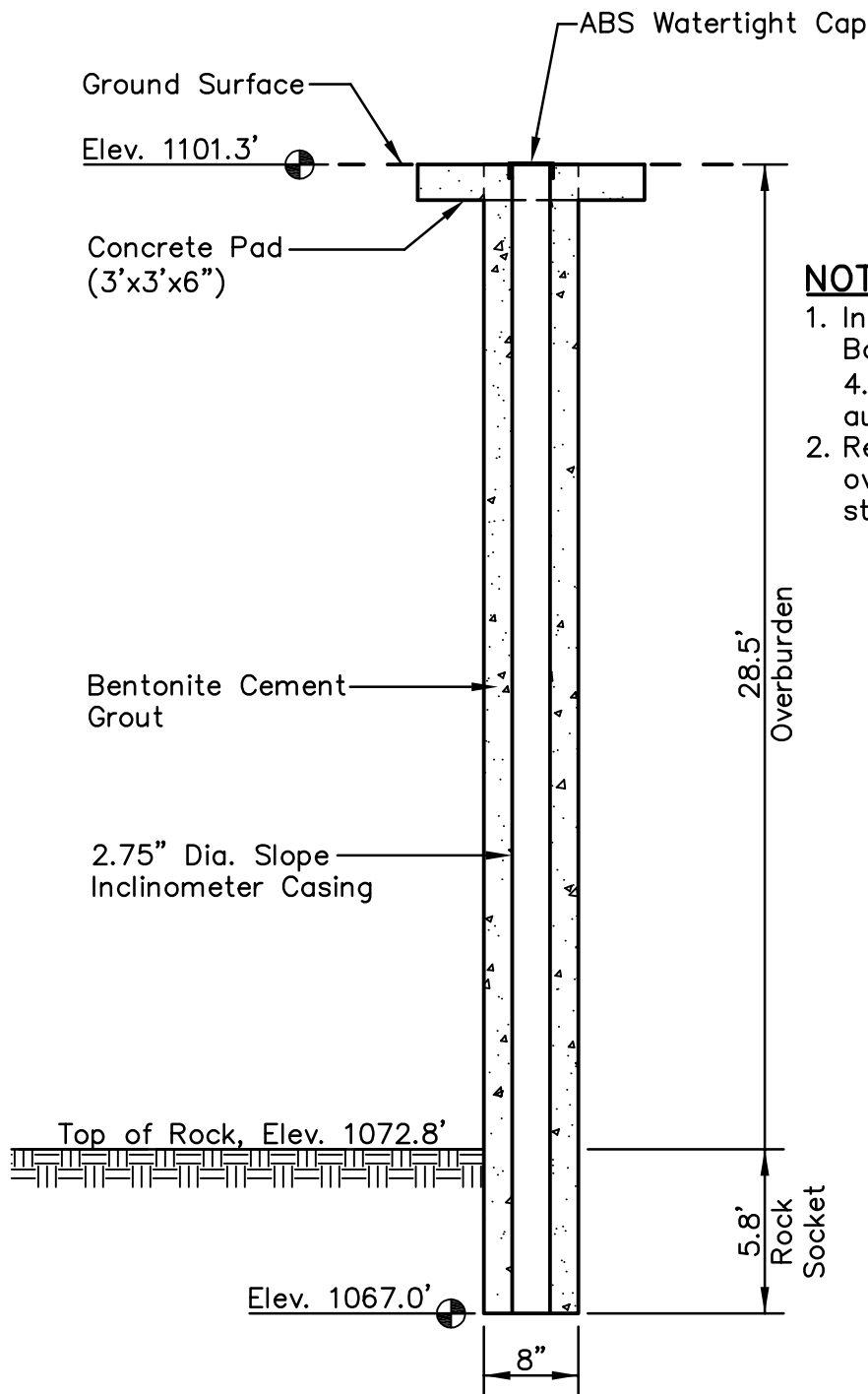


Stantec

Stantec Consulting Services Inc.
 1409 N. Forbes Rd.
 Lexington, Kentucky
 40511-2050
 859-422-3000

www.stantec.com

DRAWN BY	RWE	DATE	NOV., 2009	REVISED		SHEET
CHECKED BY	ARD	PROJ. NO.	175569038	1.	3.	1 OF 1
CHECKED BY	DLB	SCALE	NTS	2.	4.	



NOTES:

1. Installed on 04/04/2009. Boring advanced with 4.25-inch (I.D.) hollow stem augers.
2. Refer to boring log for overburden and rock stratigraphy.

DATE: 10/21/2009 USER: FLYNN, RENEE V: \\1755\ACTIVE\175569038\GEO\TECHNICAL\DRAWING\INSTRUMENT\69038C-JSF-301-SIJS48.DWG

LOCATION

Northing: 734,956.57
 Easting: 2,890,044.99
 Ground Elevation: 1101.3 feet

Locations provided by TVA,
 Power Systems Operations,
 Surveying and Project Services.
 Horizontal Datum: NAD 27
 (Tennessee Lambert)
 Vertical Datum: NGVD29

SLOPE INCLINOMETER JS-48
JOHN SEVIER FOSSIL PLANT
MAIN ASH STACK

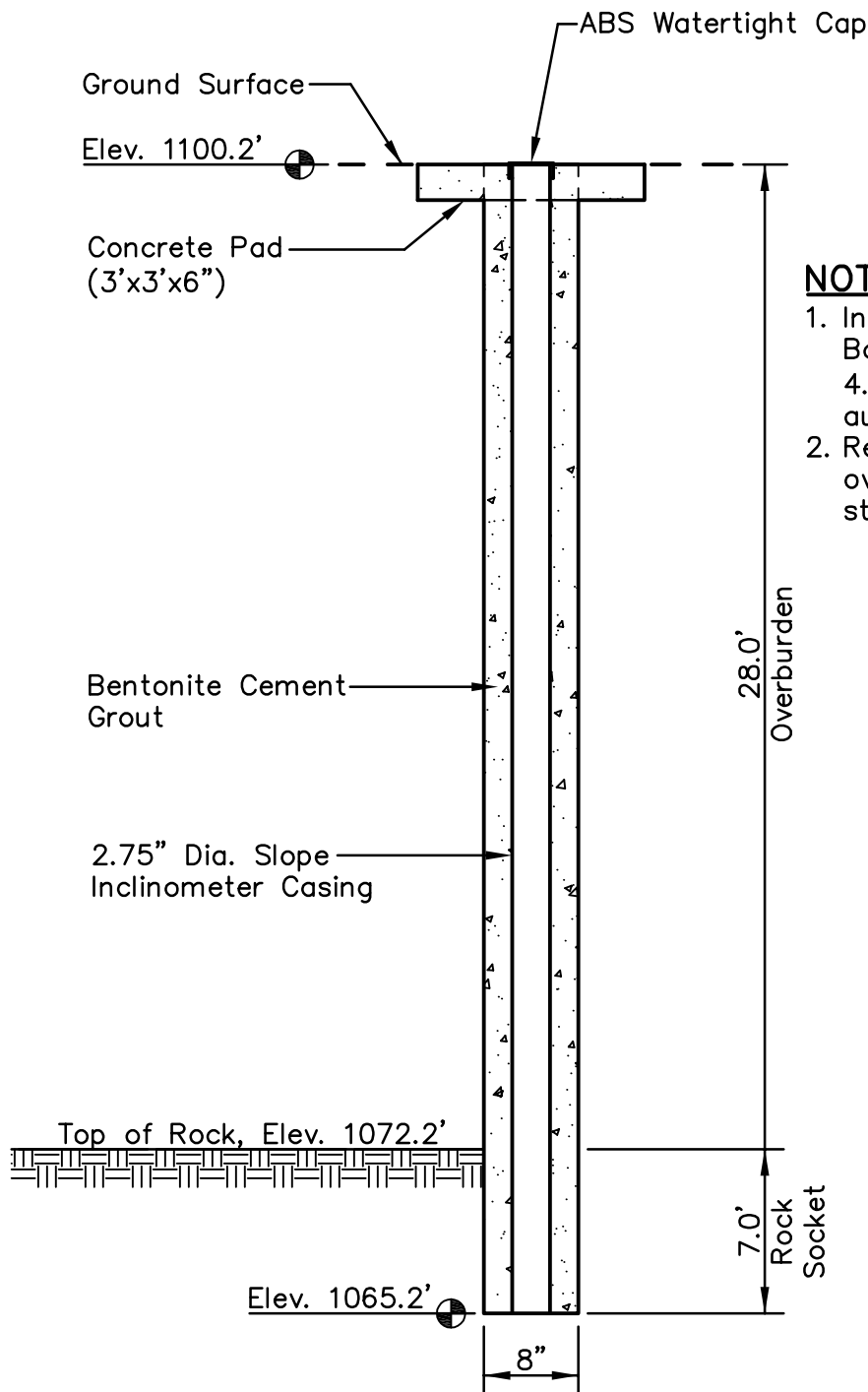


Stantec

Stantec Consulting
 Services Inc.
 1409 N. Forbes Rd.
 Lexington, Kentucky
 40511-2050
 859-422-3000

www.stantec.com

DRAWN BY	RWE	DATE	NOV., 2009		REVISED		SHEET
CHECKED BY	ARD	PROJ. NO.	175569038	1.		3.	1 OF 1
CHECKED BY	DLB	SCALE	NTS	2.		4.	



NOTES:

1. Installed on 04/03/2009. Boring advanced with 4.25-inch (I.D.) hollow stem augers.
2. Refer to boring log for overburden and rock stratigraphy.

DATE: 10/21/2009 USER: FLYNN, RENEE V: \\1755\ACTIVE\175569038\GEO\TECHNICAL\DRAWING\INSTRUMENT\69038C-JSF-301-SIJS54.DWG

LOCATION:

Northing: 734,685.87
 Easting: 2,889,594.68
 Ground Elevation: 1100.2 feet

Locations provided by TVA,
 Power Systems Operations,
 Surveying and Project Services.
 Horizontal Datum: NAD 27
 (Tennessee Lambert)
 Vertical Datum: NGVD29

SLOPE INCLINOMETER JS-54
JOHN SEVIER FOSSIL PLANT
MAIN ASH STACK

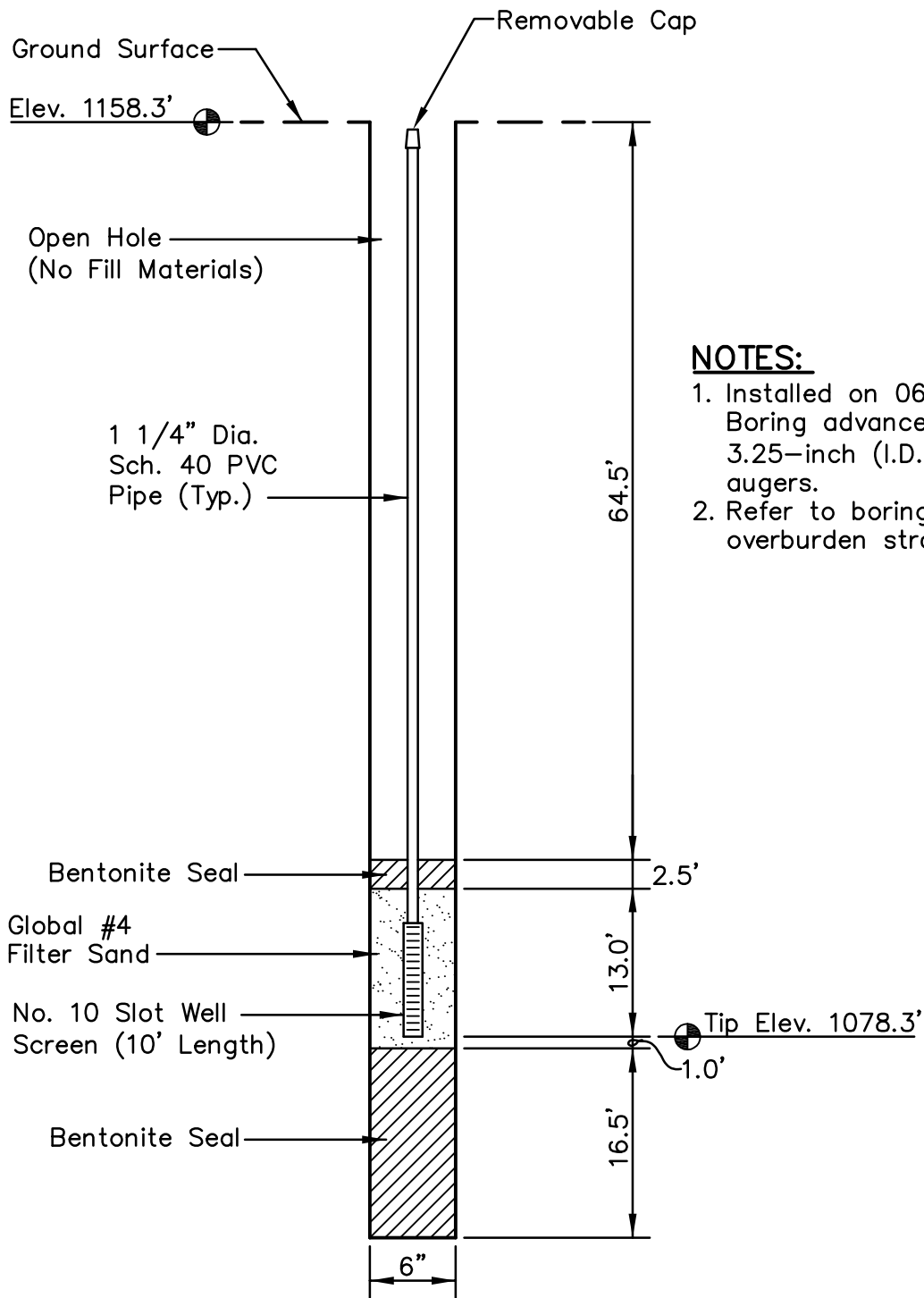


Stantec

Stantec Consulting
 Services Inc.
 1409 N. Forbes Rd.
 Lexington, Kentucky
 40511-2050
 859-422-3000

www.stantec.com

DRAWN BY	RWE	DATE	NOV., 2009		REVISED		SHEET
CHECKED BY	ARD	PROJ. NO.	175569038	1.		3.	1 OF 1
CHECKED BY	DLB	SCALE	NTS	2.		4.	



NOTES:

1. Installed on 06/03/2009. Boring advanced with 3.25-inch (I.D.) hollow stem augers.
2. Refer to boring log for overburden stratigraphy.

PLOT DATE: 10/21/2009 USER: FLYNN, RENE V:\1755\ACTIVE\175569038\GEOTECHNICAL\DRAWING\INSTRUMENT\69038C-JSF-301-TPZJS27.DWG

LOCATION:

Northing: 736,239.87
 Easting: 2,891,944.24
 Ground Elevation: 1158.3 feet

Locations provided by TVA,
 Power Systems Operations,
 Surveying and Project Services.
 Horizontal Datum: NAD 27
 Vertical Datum: NGVD29

TEMPORARY PIEZOMETER JS-27
JOHN SEVIER FOSSIL PLANT
MAIN ASH STACK



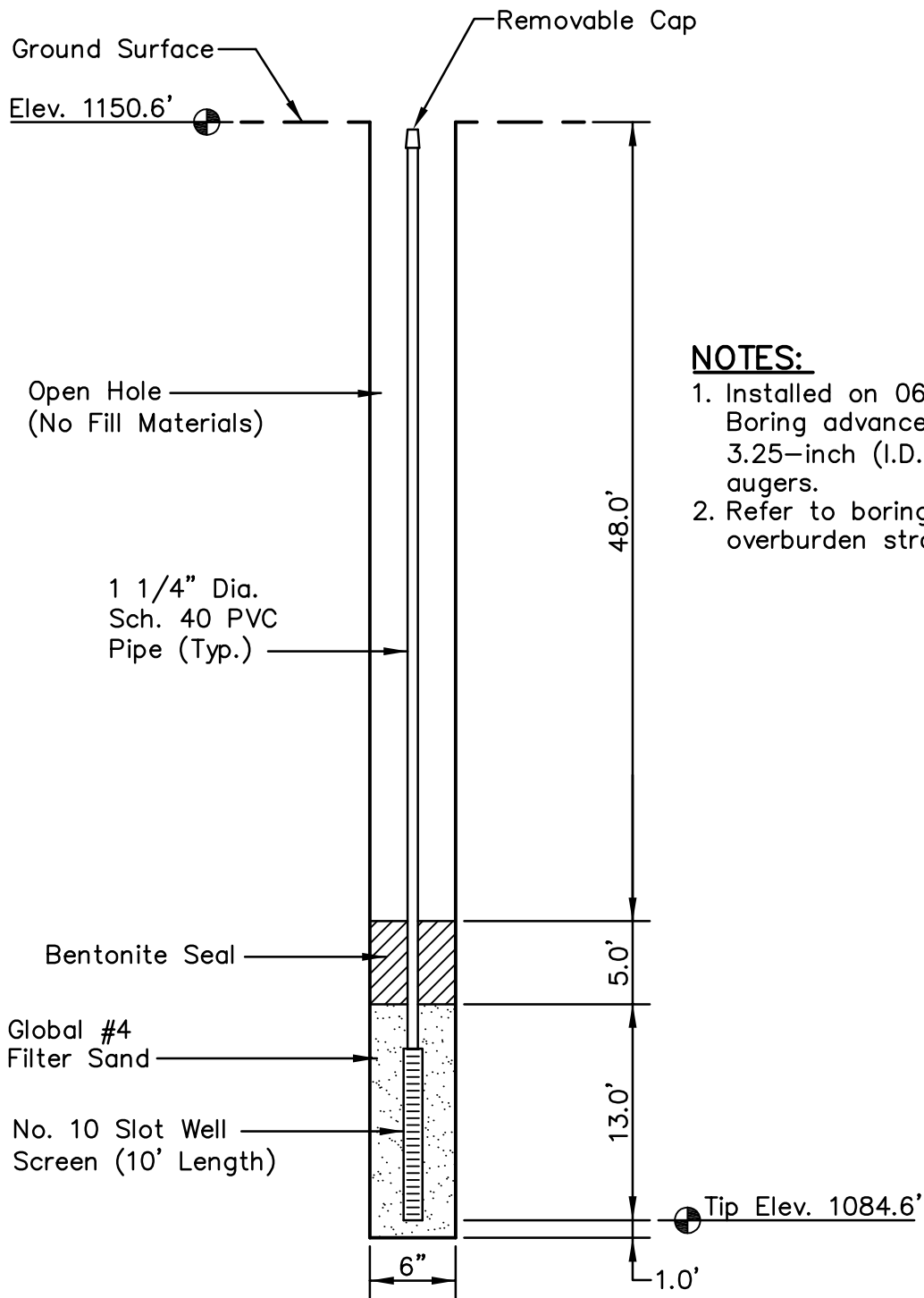
Stantec

Stantec Consulting
 Services Inc.
 1409 N. Forbes Rd.
 Lexington, Kentucky
 40511-2050
 859-422-3000

www.stantec.com

DRAWN BY	RWE	DATE	NOV., 2009	REVISED
CHECKED BY	ARD	PROJ. NO.	175569038	1. 3.
CHECKED BY	AAC	SCALE	NTS	2. 4.

SHEET
1 OF 1



NOTES:

1. Installed on 06/03/2009. Boring advanced with 3.25-inch (I.D.) hollow stem augers.
2. Refer to boring log for overburden stratigraphy.

PLOT DATE: 10/21/2009 USER: FLYNN, RENEE V:\1755\ACTIVE\175569038\GEOTECHNICAL\DRAWING\INSTRUMENT\69038C-JSF-301-TPZJS32.DWG

LOCATION:

Northing: 735,766.70
 Easting: 2,891,431.00
 Ground Elevation: 1150.6 feet

Locations provided by TVA,
 Power Systems Operations,
 Surveying and Project Services.
 Horizontal Datum: NAD 27
 Vertical Datum: NGVD29

**TEMPORARY PIEZOMETER JS-32
 JOHN SEVIER FOSSIL PLANT
 MAIN ASH STACK**



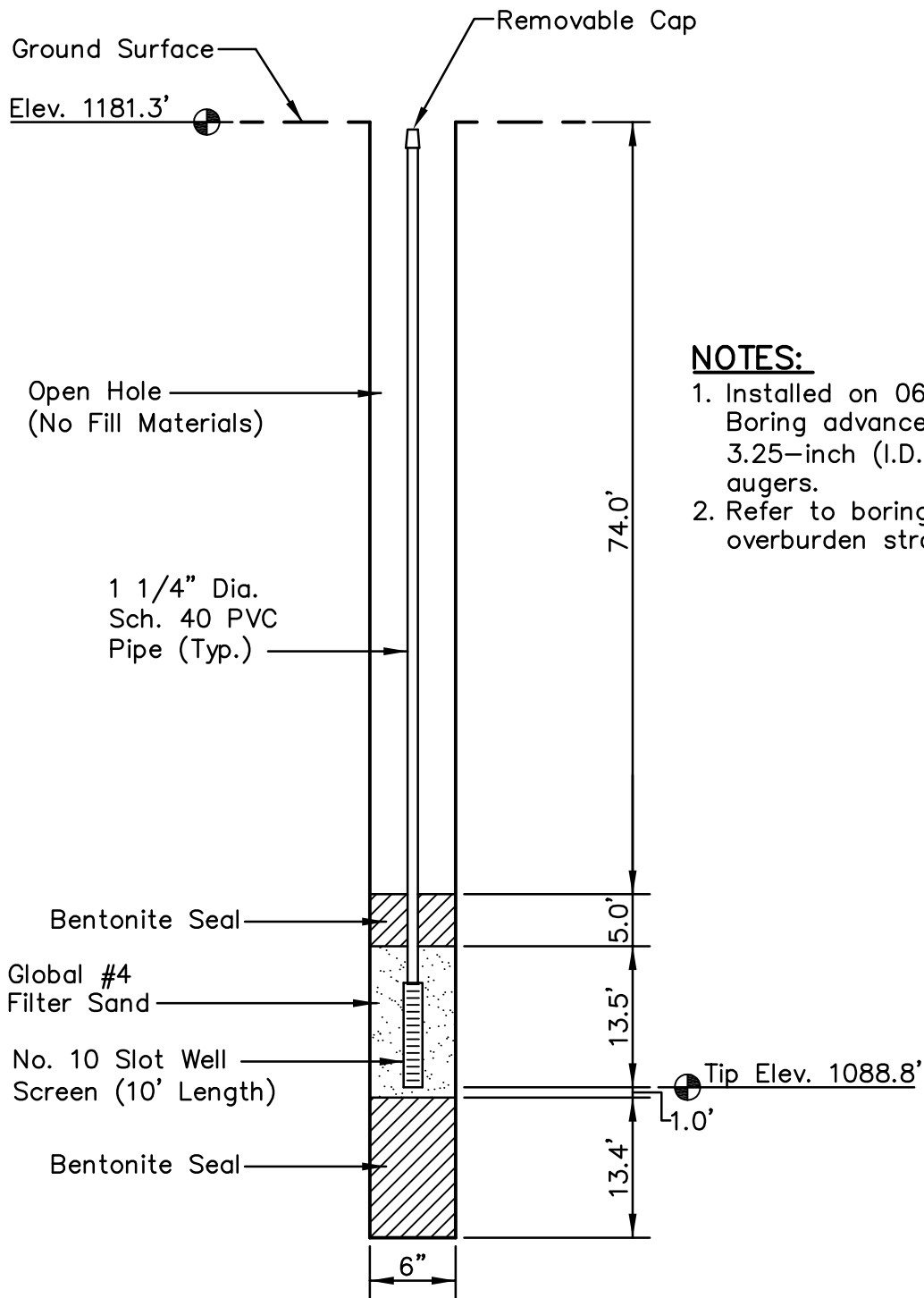
Stantec

Stantec Consulting
 Services Inc.
 1409 N. Forbes Rd.
 Lexington, Kentucky
 40511-2050
 859-422-3000

www.stantec.com

DRAWN BY	RWE	DATE	NOV., 2009	REVISED		SHEET
CHECKED BY	ARD	PROJ. NO.	175569038	1.	3.	
CHECKED BY	AAC	SCALE	NTS	2.	4.	

1 OF 1



NOTES:

1. Installed on 06/04/2009. Boring advanced with 3.25-inch (I.D.) hollow stem augers.
2. Refer to boring log for overburden stratigraphy.

LOCATION:

Northing: 735,175.12
 Easting: 2,890,973.42
 Ground Elevation: 1181.3 feet

Locations provided by TVA, Power Systems Operations, Surveying and Project Services.
 Horizontal Datum: NAD 27
 Vertical Datum: NGVD29

**TEMPORARY PIEZOMETER JS-39
 JOHN SEVIER FOSSIL PLANT
 MAIN ASH STACK**



Stantec

Stantec Consulting Services Inc.
 1409 N. Forbes Rd.
 Lexington, Kentucky
 40511-2050
 859-422-3000

www.stantec.com

DRAWN BY	RWE	DATE	NOV., 2009	REVISED		SHEET
CHECKED BY	ARD	PROJ. NO.	175569038	1.	3.	
CHECKED BY	AAC	SCALE	NTS	2.	4.	

1 OF 1

PLOT DATE: 10/21/2009 USER: FLYNN, RENE V:\1755\ACTIVE\175569038\GEOTECHNICAL\DRAWING\INSTRUMENT\69038C-JSF-301-TPZJS39.DWG