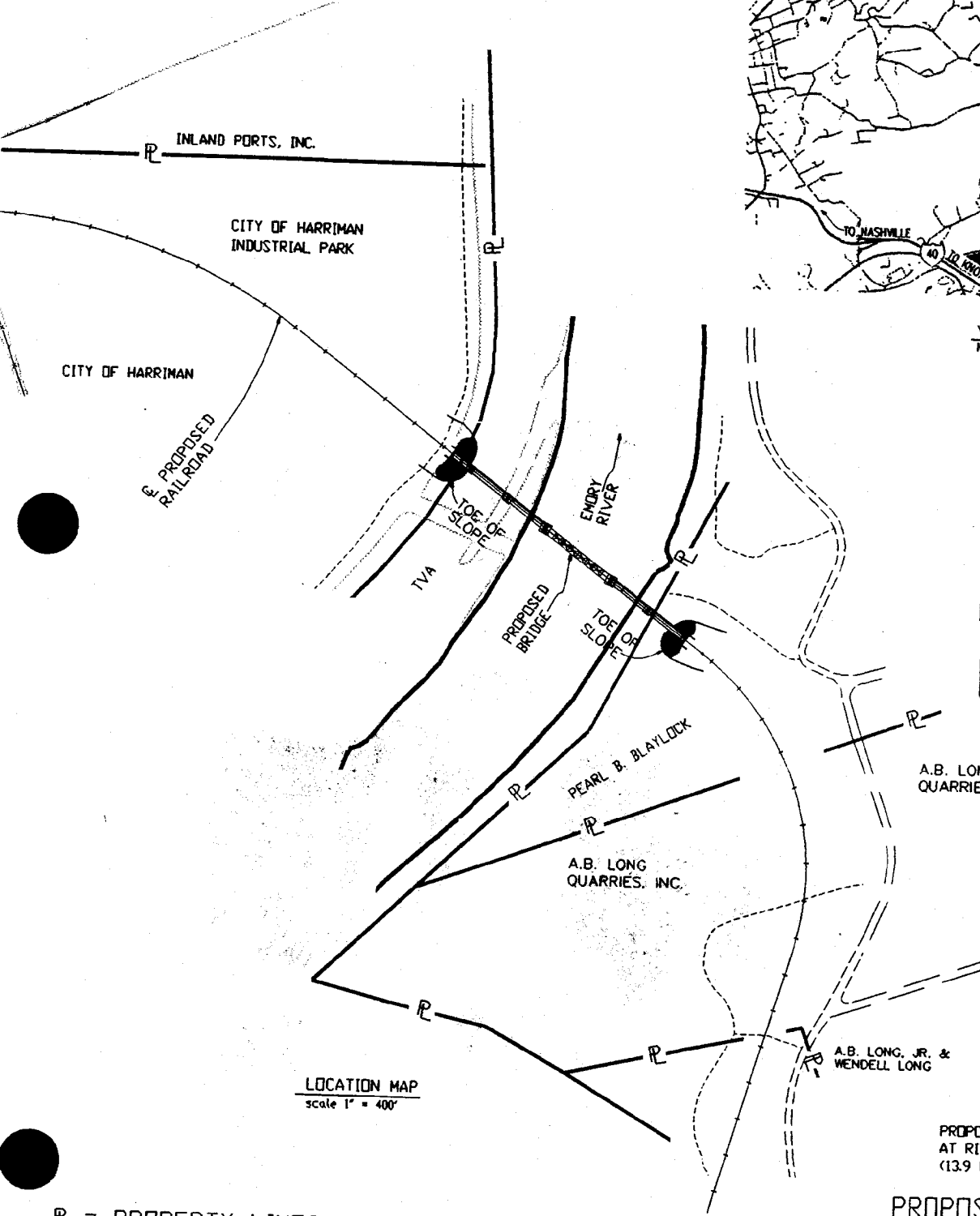


VICINITY MAP
N.T.S.

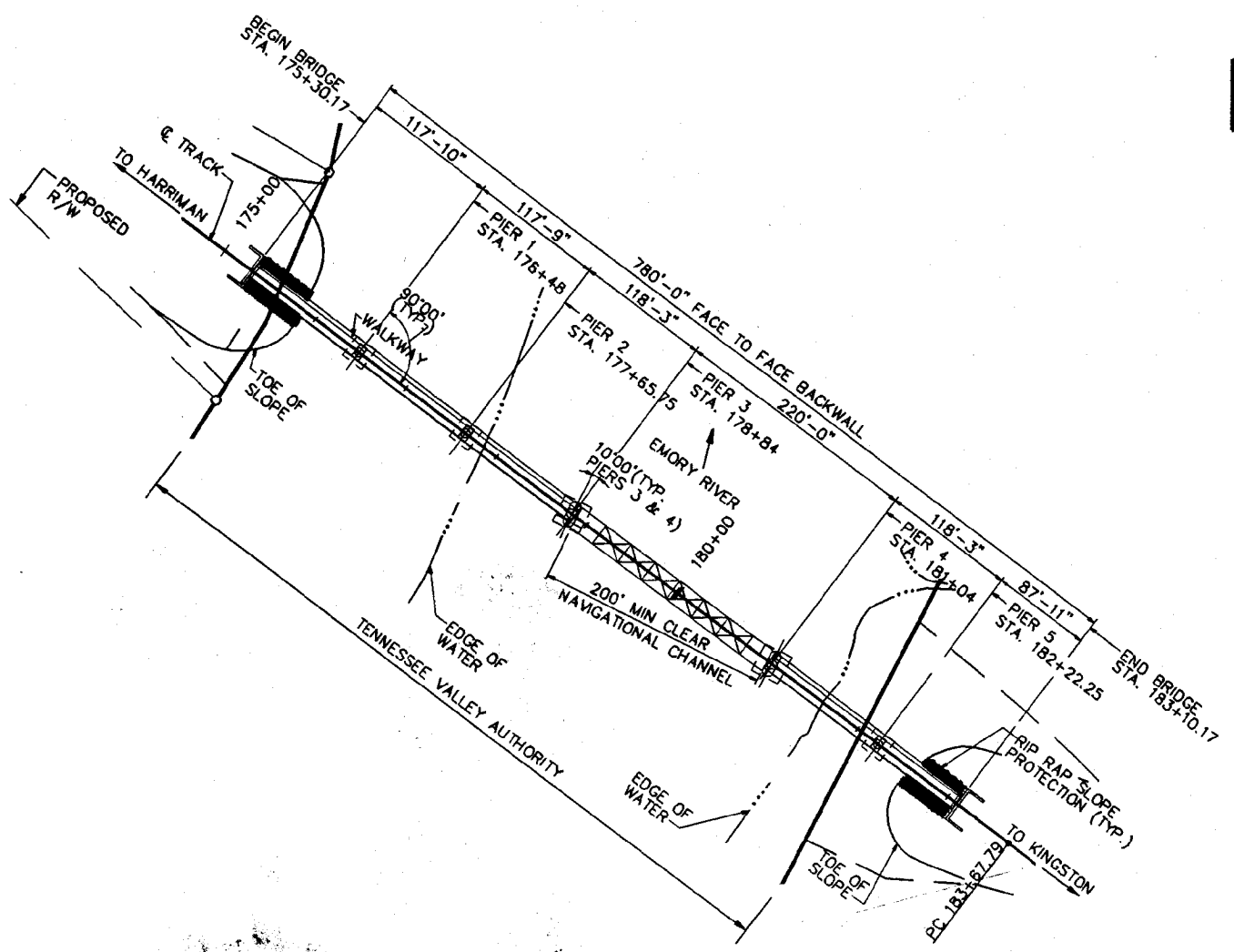


LOCATION MAP
scale 1" = 400'

P = PROPERTY LINES.

PROPOSED BRIDGE TO BE LOCATED
AT RIVER MILE 8.7
(13.9 KILOMETERS)

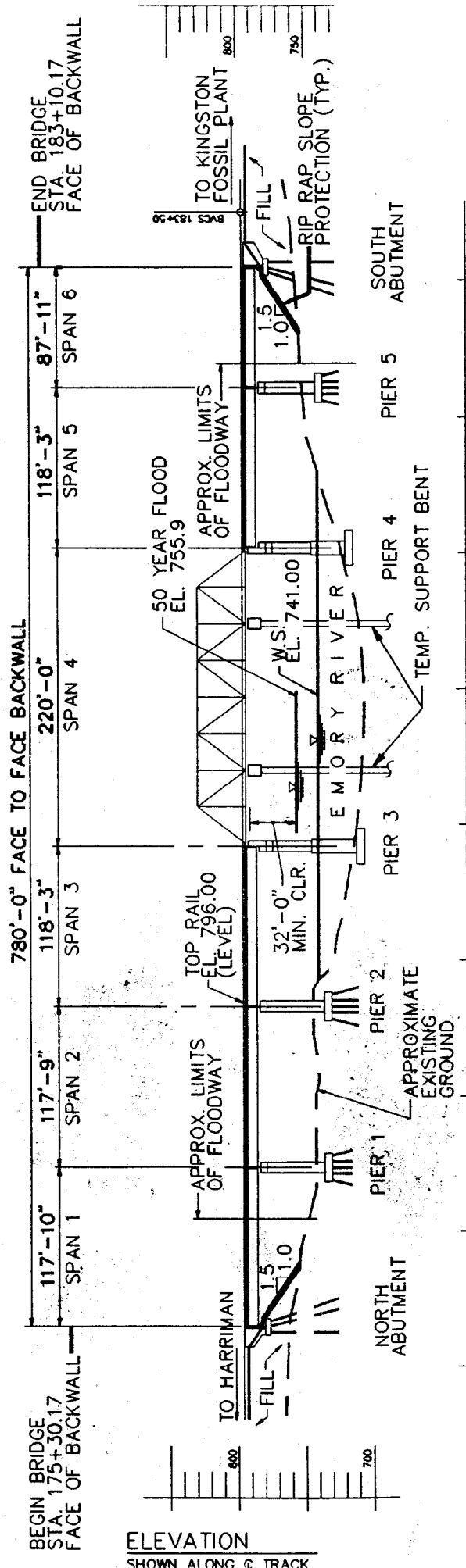
PROPOSED BRIDGE
over EMORY RIVER
at ROANE COUNTY, TENNESSEE
counties ROANE COUNTY, TENN.
application by TENN. VALLEY AUTHORITY
sheet 1 of 4 date 10-2-97



PLAN
Scale 1" = 150'

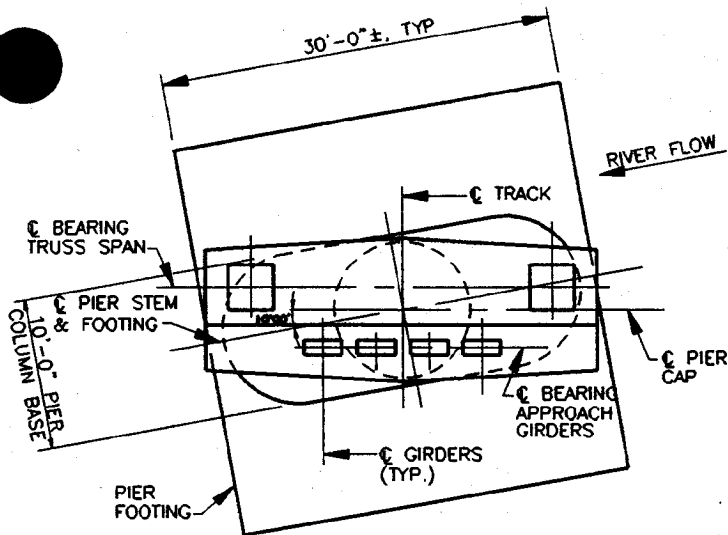
PROPOSED BRIDGE

over EMORY RIVER
 at ROANE COUNTY, TENNESSEE
 counties ROANE COUNTY, TENN.
 application by TENN. VALLEY AUTHORITY
 sheet 2 of 4 date 10-2-97

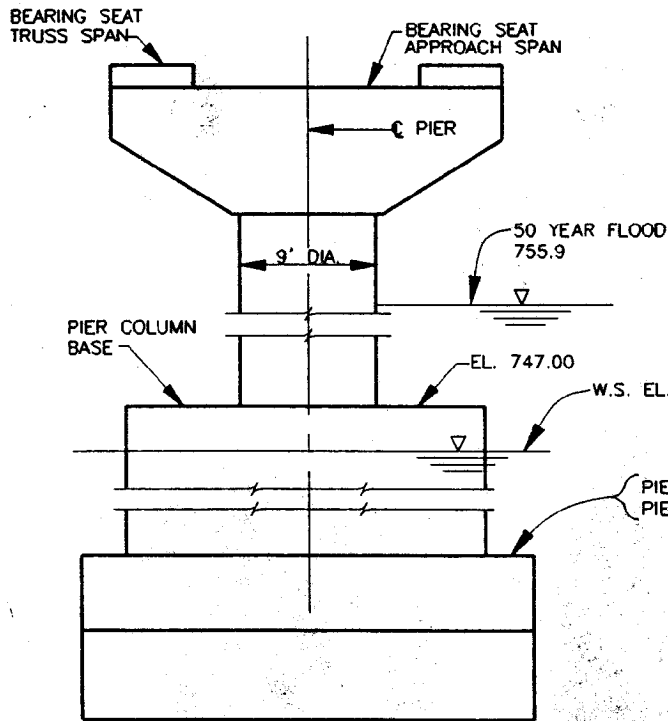


ELEVATION
SHOWN ALONG C TRACK

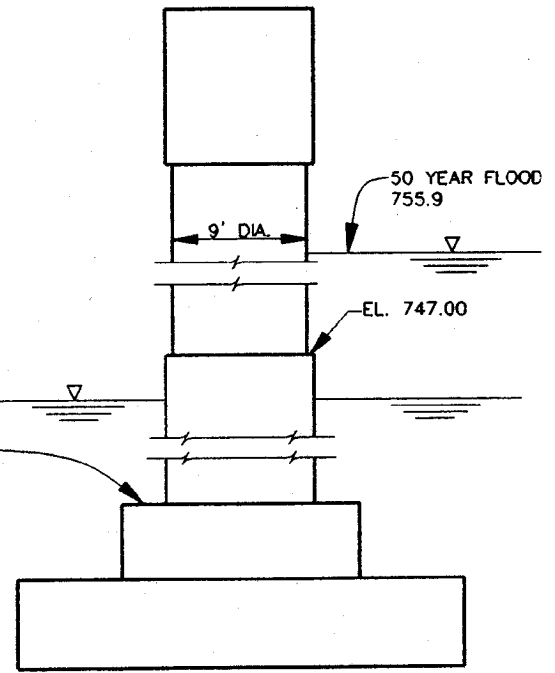
PROPOSED BRIDGE
 over EMORY RIVER
 at ROANE COUNTY, TENNESSEE
 counties ROANE COUNTY, TENN.
 application by TENN. VALLEY AUTHORITY
 sheet 3 of 4 date 10-2-97



PLAN - CENTER SPAN PIERS



ELEVATION - CENTER SPAN PIERS



END VIEW - CENTER SPAN PIERS

PROPOSED BRIDGE

over EMORY RIVER

at ROANE COUNTY, TENNESSEE

counties ROANE COUNTY, TENN.

application by TENN. VALLEY AUTHORITY

sheet 4 of 4 date 10-2-97