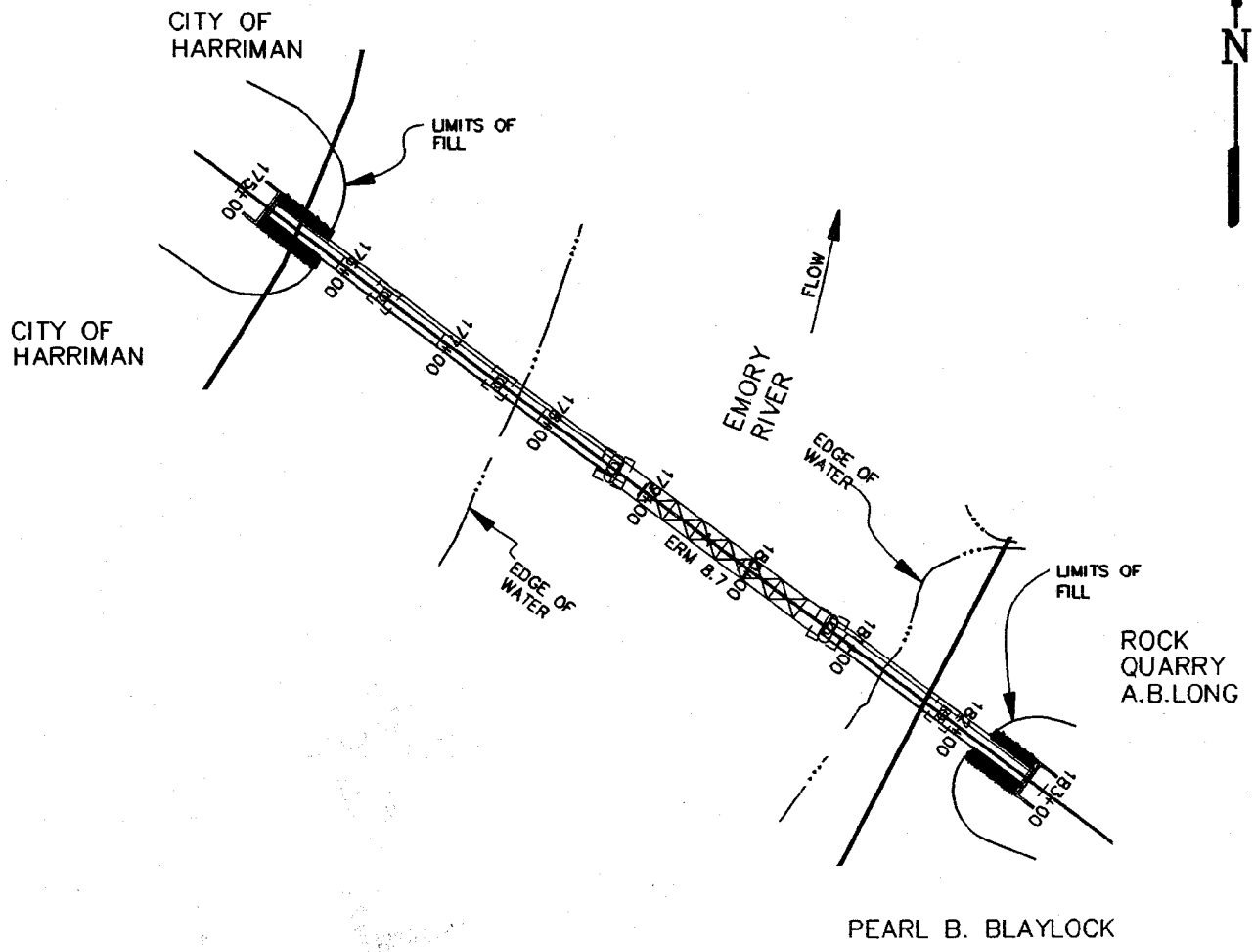
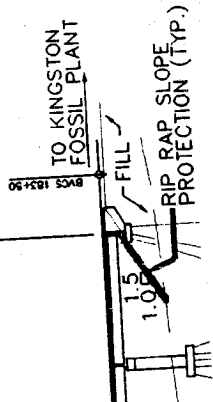


COAL RECEIVING RAILROAD
LOCATION PLAN
KINGSTON FOSSIL PLANT



PLAN

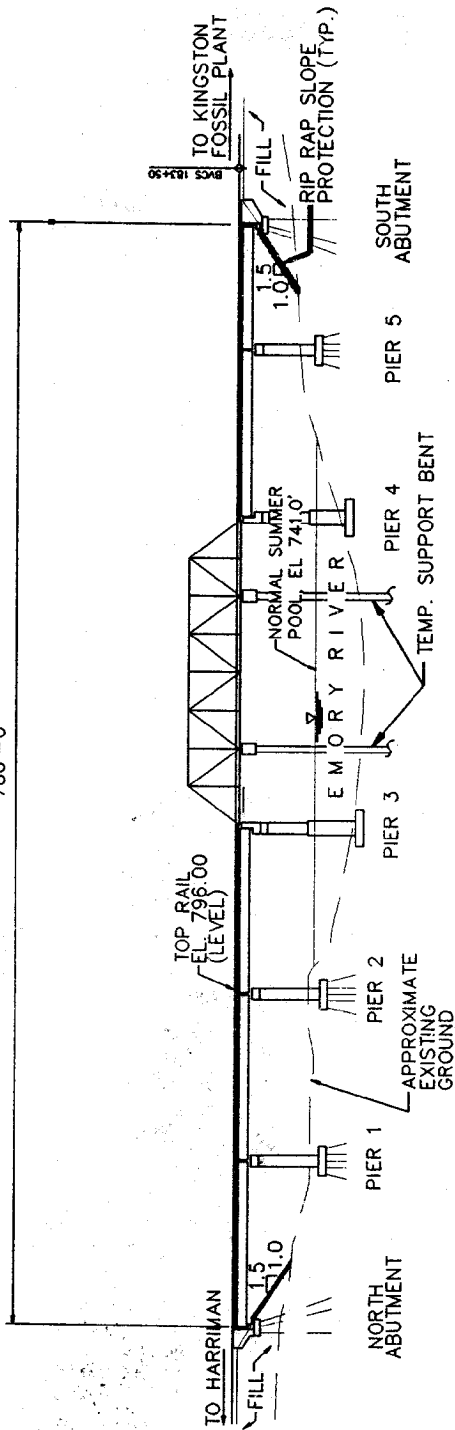
COAL RECEIVING RAILROAD
PLAN
BRIDGE "A"
KINGSTON FOSSIL PLANT



PIER 5 SOUTH ABUTMENT

T

780'-0"

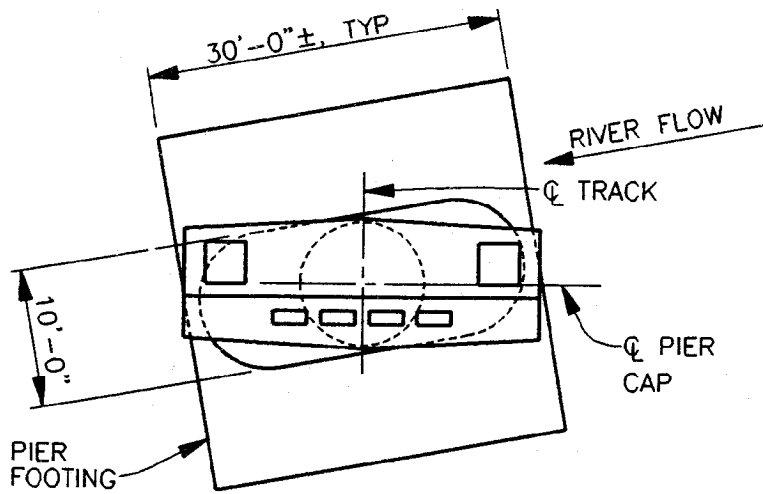


PROFILE EMORY RIVER BRIDGE

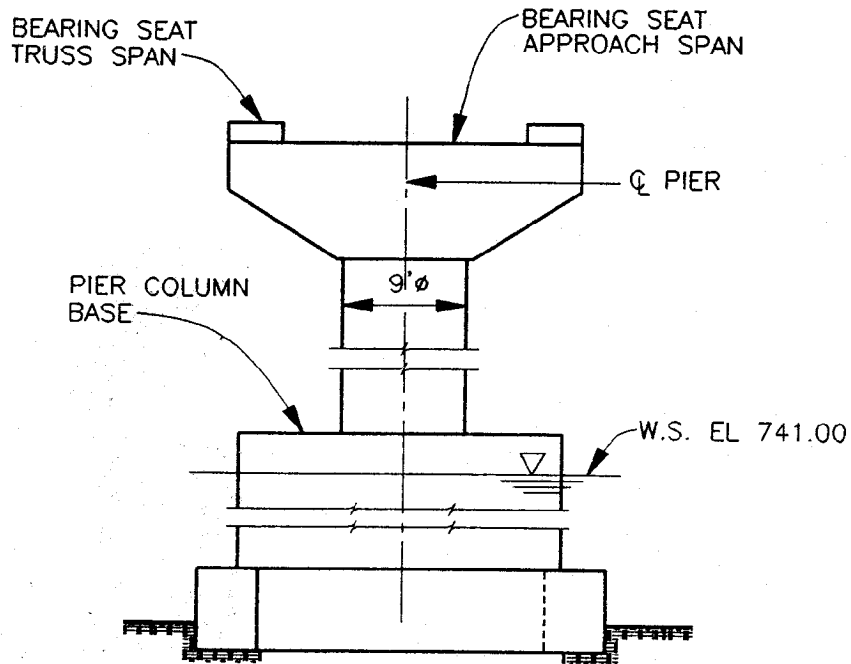
COAL RECEIVING RAILROAD

PROFILE BRIDGE "A"

KINGSTON FOSSIL PLANT

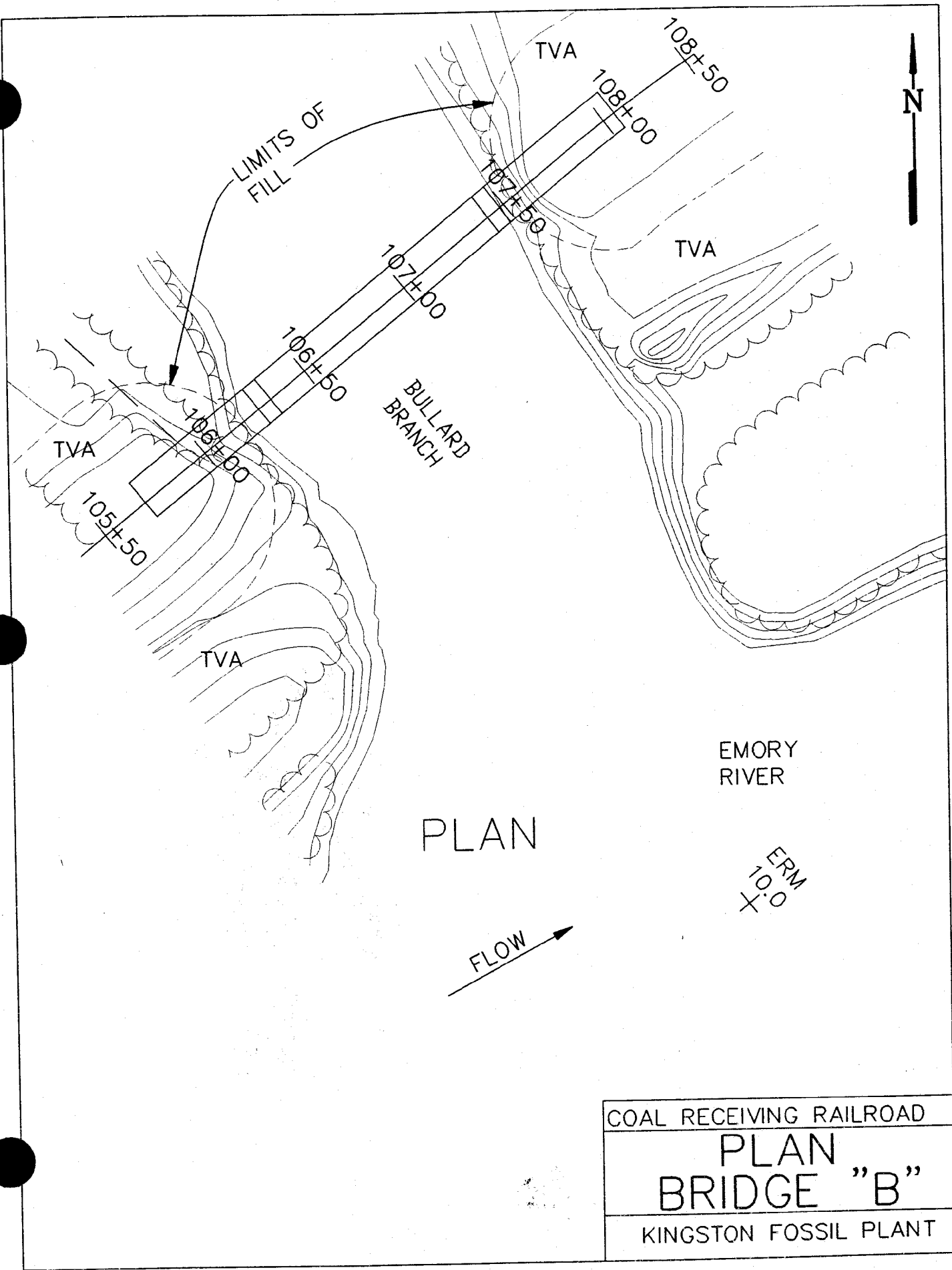


PLAN - CENTER SPAN PIERS



ELEVATION - CENTER SPAN PIERS

COAL RECEIVING RAILROAD
DETAILS
BRIDGE "A"
KINGSTON FOSSIL PLANT



229'-9"

NORMAL SUMMER
POOL EL 741.00'

NORTH
ABUTMENT

PIER 2

LOW STEEL
EL 758.0'

PIER 1

EXISTING
GROUND
LINE

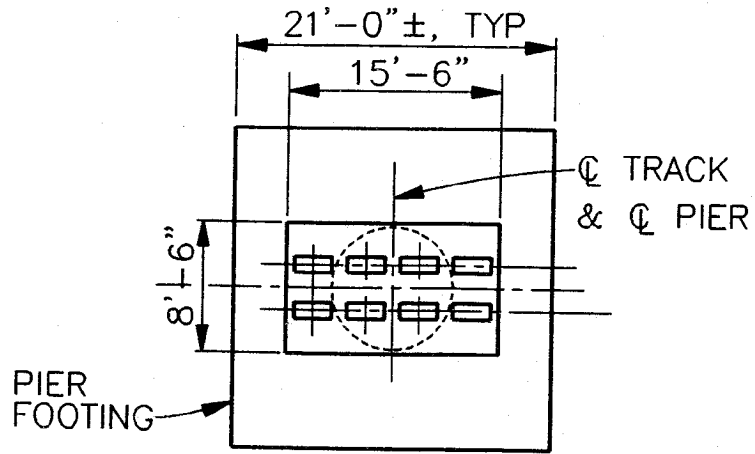
SOUTH
ABUTMENT

PROFILE
BULLARD BRANCH BRIDGE

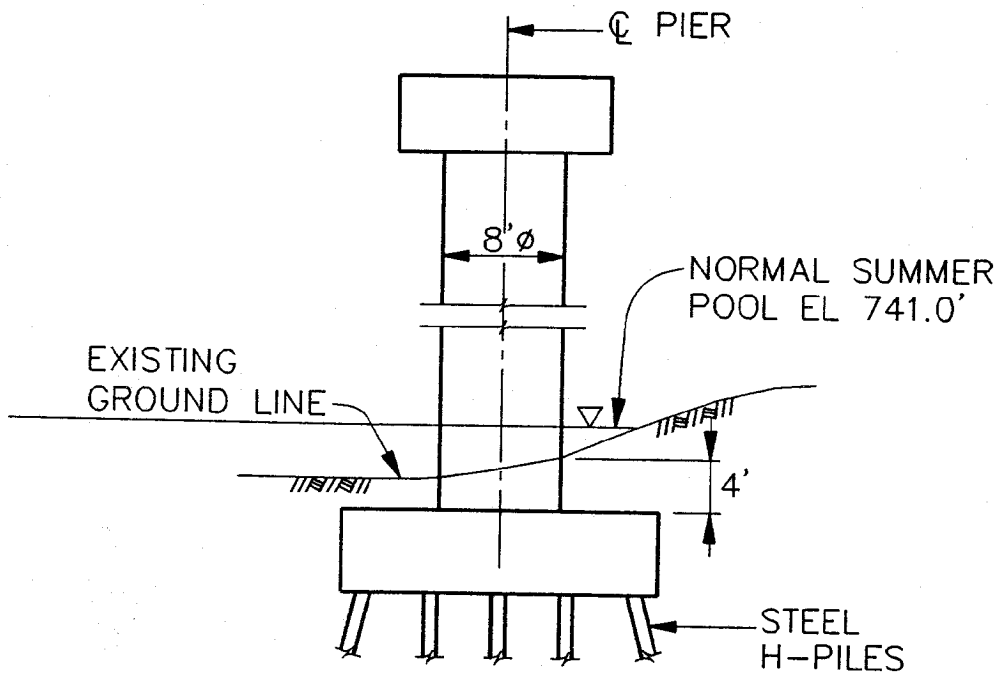
COAL RECEIVING RAILROAD

PROFILE
BRIDGE "B"

KINGSTON FOSSIL PLANT



PLAN



ELEVATION

COAL RECEIVING RAILROAD
DETAILS BRIDGE "B"
KINGSTON FOSSIL PLANT

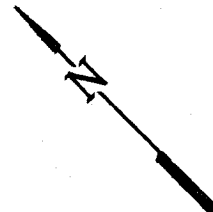
FILL QUANTITIES BELOW NORMAL POOL
ELEVATION 741.0'

EARTHFILL	0
FILTER	0
RIPRAP	0
CONCRETE	150 CY

COAL RECEIVING RAILROAD

FILL QTY'S
BRIDGE "B"

KINGSTON FOSSIL PLANT



89+00
88+00
87+00
86+00
85+00
84+00
83+00
82+00
81+00
80+00
79+00
78+00
77+00
76+00

EXISTING N/S
RAILROAD

LIMITS OF FILL

EMORY
RIVER

↑
FLOW

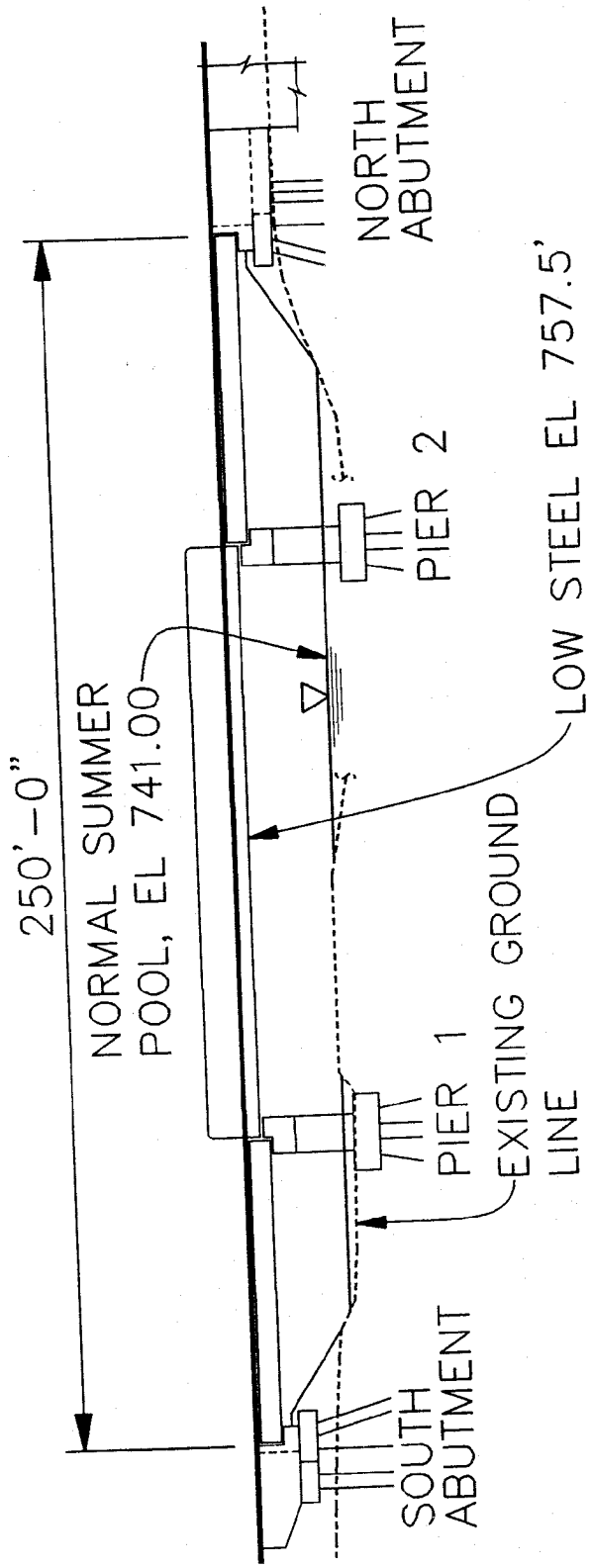
⊕ NEW RAILROAD

NEW BRIDGE

ERM 10.6
+

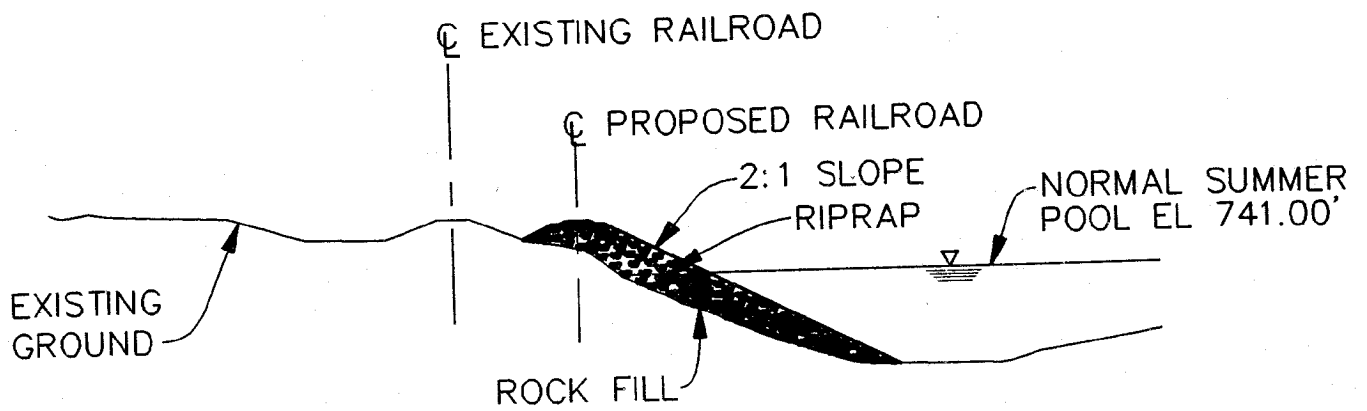
QUARRY
BRANCH

COAL RECEIVING RAILROAD
PLAN BRIDGE "C"
KINGSTON FOSSIL PLANT



PROFILE
QUARRY CREEK BRIDGE

COAL RECEIVING RAILROAD
PROFILE BRIDGE "C"
KINGSTON FOSSIL PLANT

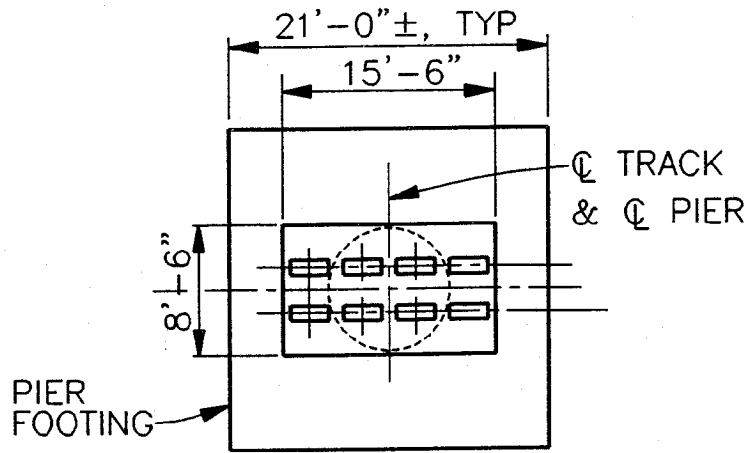


TYPICAL FILL SECTION
 STA 79+00 TO STA 89+00

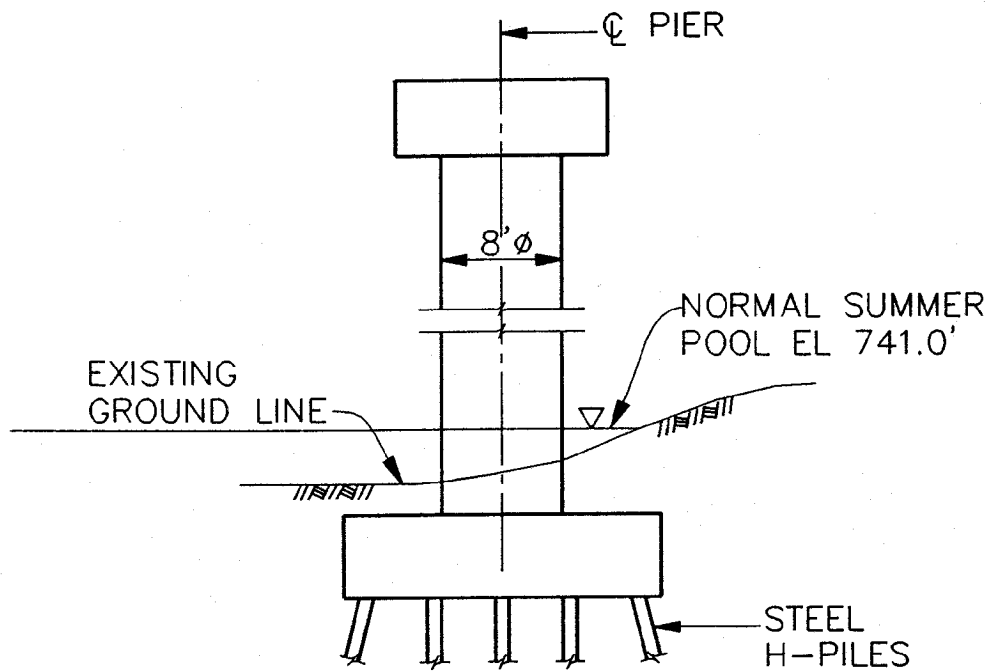
FILL QUANTITIES BELOW NORMAL POOL
 ELEVATION 741.0'

ROCK FILL	25,000 CY
-----------	-----------

COAL RECEIVING RAILROAD
FILL NEAR BRIDGE "C"
KINGSTON FOSSIL PLANT



PLAN



ELEVATION

COAL RECEIVING RAILROAD
DETAILS BRIDGE "C"
KINGSTON FOSSIL PLANT

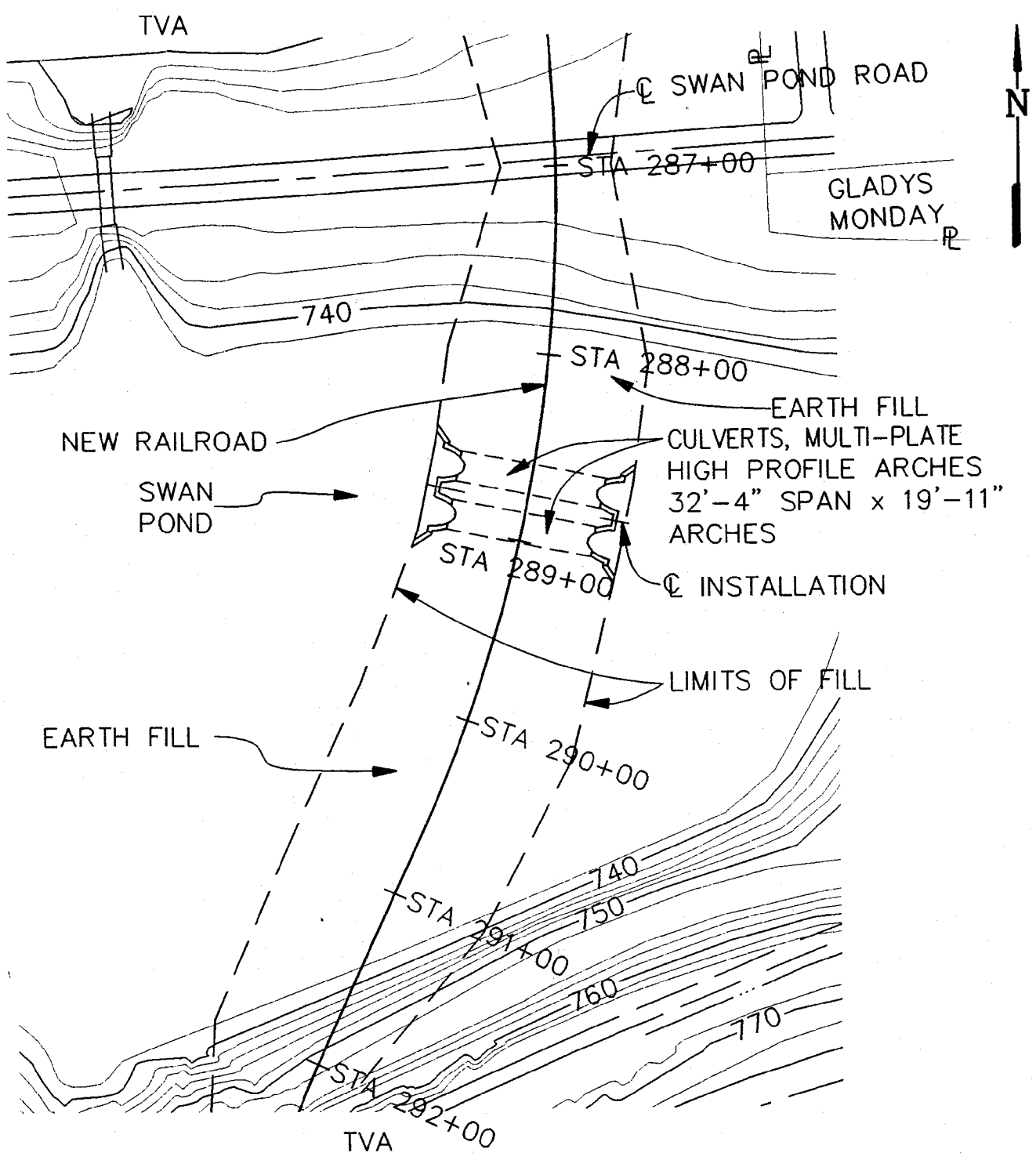
FILL QUANTITIES BELOW NORMAL POOL
ELEVATION 741.0'

EARTHFILL	70 CY
FILTER	0
RIPRAP	20 CY
CONCRETE	250 CY

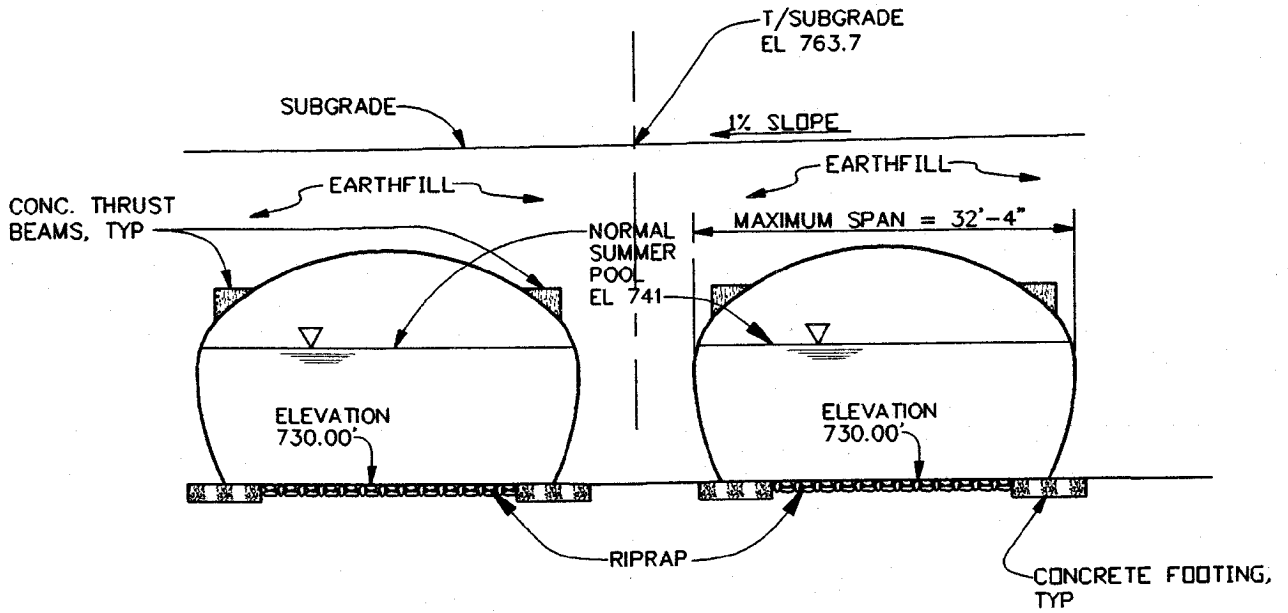
COAL RECEIVING RAILROAD

TABLE
BRIDGE "C"

KINGSTON FOSSIL PLANT

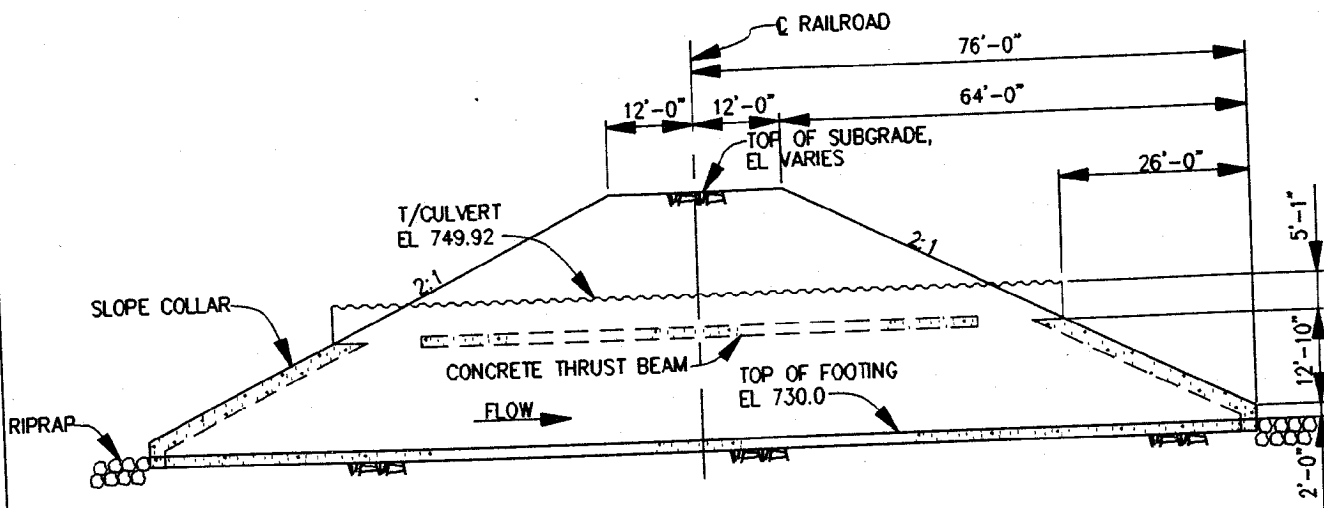


COAL RECEIVING RAILROAD
PLAN CULVERT "D"
KINGSTON FOSSIL PLANT



PROFILE— CULVERTS
 HIGH PROFILE ARCH CULVERT

COAL RECEIVING RAILROAD
PROFILE CULVERT "D"
KINGSTON FOSSIL PLANT



TYPICAL SECTION
 SYMMETRICAL ABOUT CENTERLINE

COAL RECEIVING RAILROAD
TYP. SECTION
CULVERT "D"
KINGSTON FOSSIL PLANT

FILL QUANTITIES BELOW NORMAL POOL
ELEVATION 741.0'

EARTHFILL	5500 CY
FILTER BLANKET	400 CY
RIPRAP	1500 CY
CONCRETE	300 CY
STEEL CULVERT (AREA x 0.249" THICK)	5.0 CY

COAL RECEIVING RAILROAD
TABLE
CULVERT "D"
KINGSTON FOSSIL PLANT