

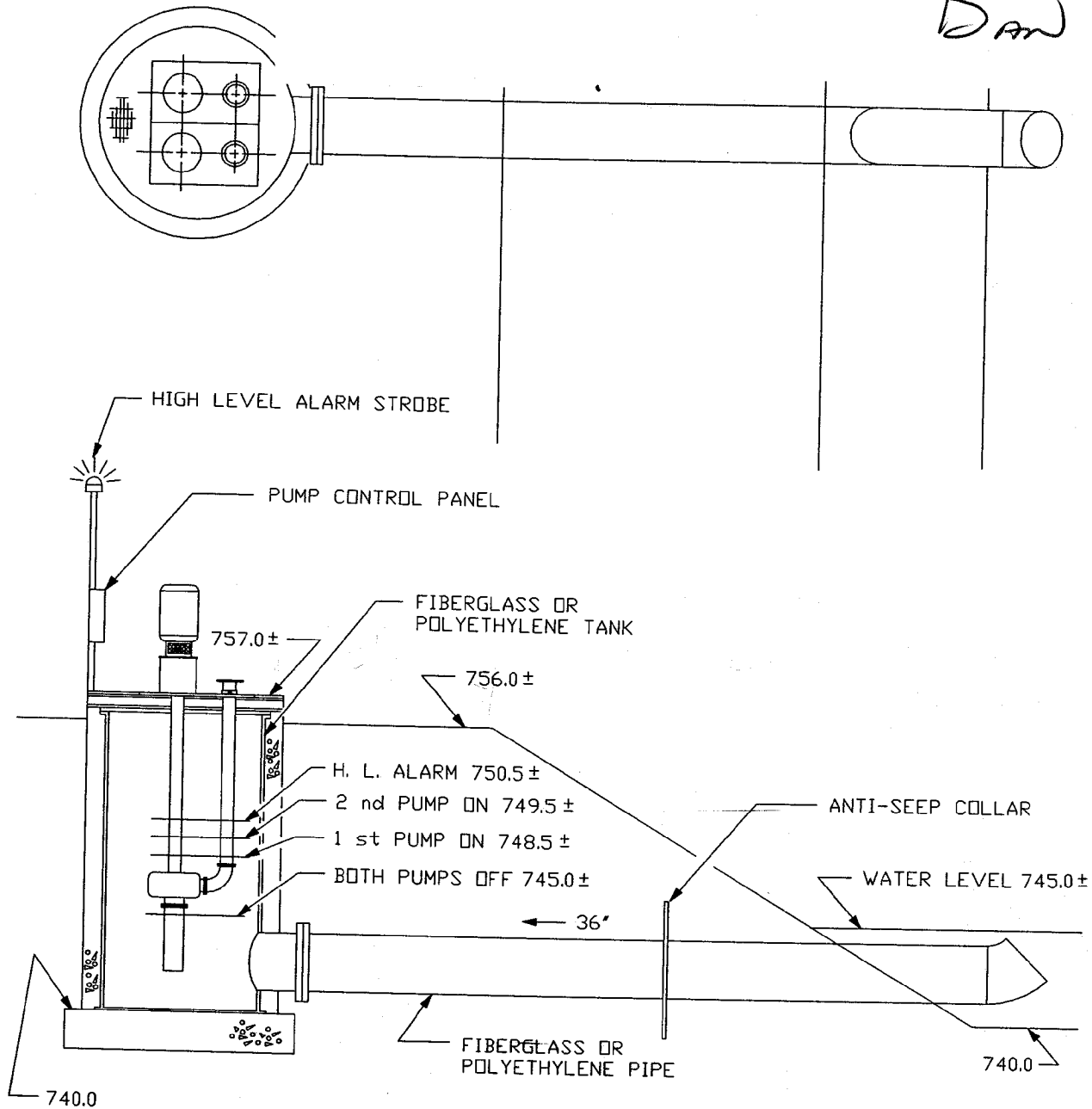
JERRY

THIS IS THE ARRANGEMENT THAT THE PLANT WANTS ESTIMATED.

I HAVE REVISED THE ELEVATIONS - FOR PUMP OPERATION & POND WATER SURFACE BASED ON OUR DISCUSSIONS.

IF YOU HAVE ANY QUESTIONS, PLEASE CALL

DAN



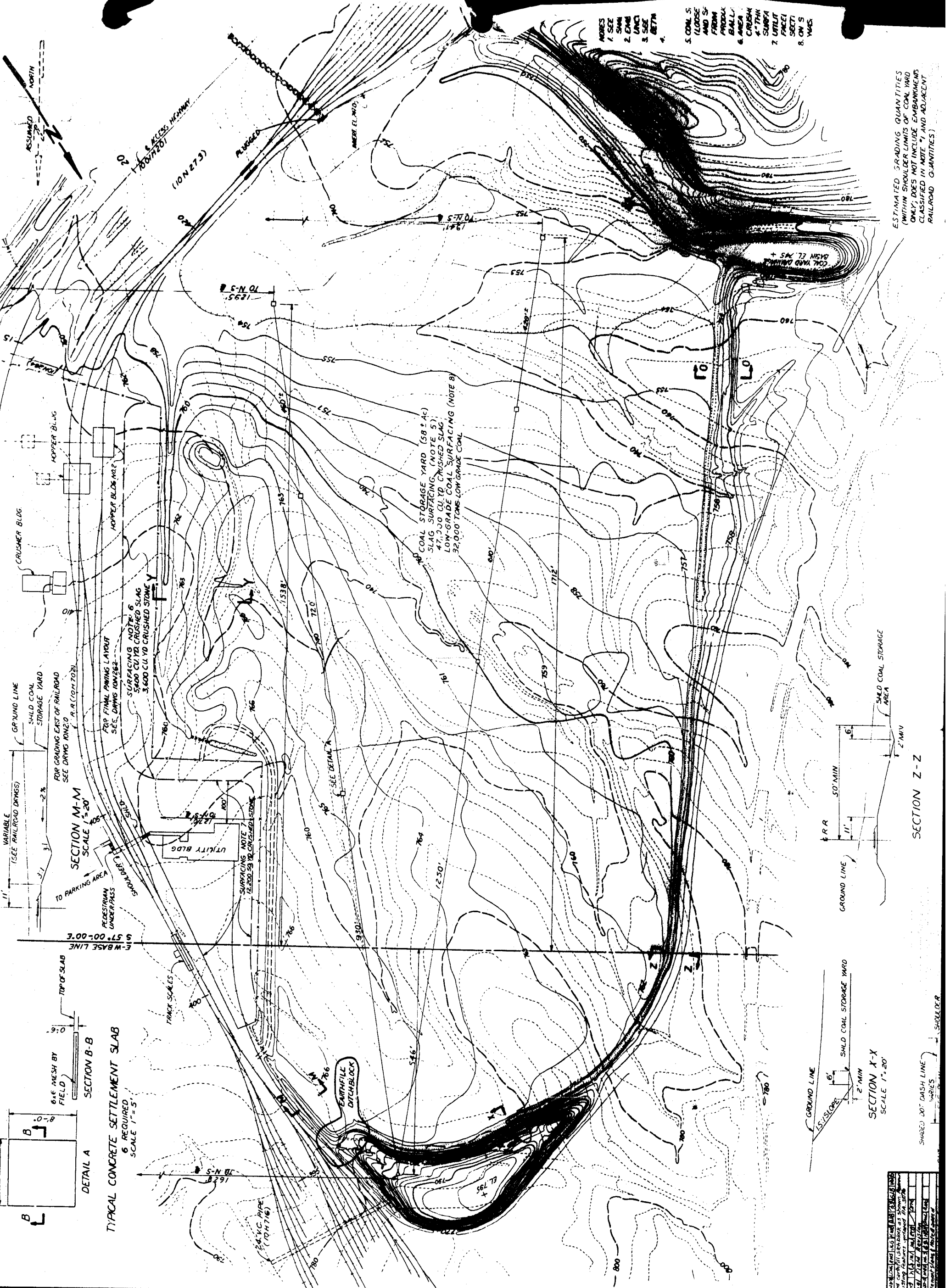
KINGSTON FOSSIL PLANT

COAL YARD DRAINAGE SUMP

FILE: KCDALYD

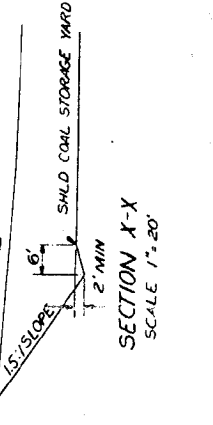
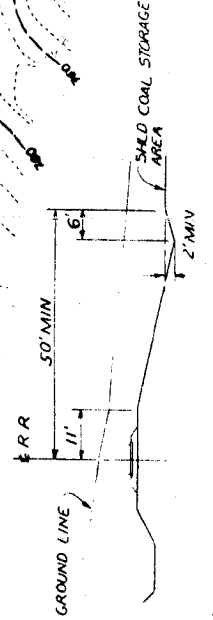
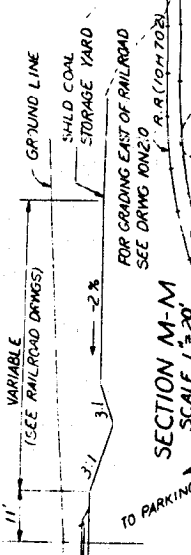
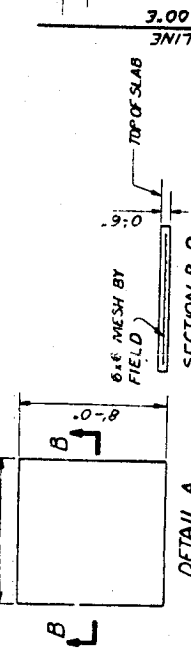
5/5/94

DB



- 1. SEE
- 2. SEE
- 3. SEE
- 4. SEE
- 5. COAL S
- 6. COAL S
- 7. COAL S
- 8. COAL S
- 9. COAL S
- 10. COAL S
- 11. COAL S
- 12. COAL S
- 13. COAL S
- 14. COAL S
- 15. COAL S
- 16. COAL S
- 17. COAL S
- 18. COAL S
- 19. COAL S
- 20. COAL S
- 21. COAL S
- 22. COAL S
- 23. COAL S
- 24. COAL S
- 25. COAL S
- 26. COAL S
- 27. COAL S
- 28. COAL S
- 29. COAL S
- 30. COAL S
- 31. COAL S
- 32. COAL S
- 33. COAL S
- 34. COAL S
- 35. COAL S
- 36. COAL S
- 37. COAL S
- 38. COAL S
- 39. COAL S
- 40. COAL S
- 41. COAL S
- 42. COAL S
- 43. COAL S
- 44. COAL S
- 45. COAL S
- 46. COAL S
- 47. COAL S
- 48. COAL S
- 49. COAL S
- 50. COAL S
- 51. COAL S
- 52. COAL S
- 53. COAL S
- 54. COAL S
- 55. COAL S
- 56. COAL S
- 57. COAL S
- 58. COAL S
- 59. COAL S
- 60. COAL S
- 61. COAL S
- 62. COAL S
- 63. COAL S
- 64. COAL S
- 65. COAL S
- 66. COAL S
- 67. COAL S
- 68. COAL S
- 69. COAL S
- 70. COAL S
- 71. COAL S
- 72. COAL S
- 73. COAL S
- 74. COAL S
- 75. COAL S
- 76. COAL S
- 77. COAL S
- 78. COAL S
- 79. COAL S
- 80. COAL S
- 81. COAL S
- 82. COAL S
- 83. COAL S
- 84. COAL S
- 85. COAL S
- 86. COAL S
- 87. COAL S
- 88. COAL S
- 89. COAL S
- 90. COAL S
- 91. COAL S
- 92. COAL S
- 93. COAL S
- 94. COAL S
- 95. COAL S
- 96. COAL S
- 97. COAL S
- 98. COAL S
- 99. COAL S
- 100. COAL S

ESTIMATED GRADING QUANTITIES
(WITHIN SHOULDER LIMITS OF COAL YARD
ONLY; DOES NOT INCLUDE EMBANKMENTS
CLASSIFIED IN NOTE 7 AND ADJACENT
RAILROAD QUANTITIES)



NO.	DATE	BY	CHKD.	APP.
1	10/17/16	J. H. [unclear]	[unclear]	[unclear]
2	10/17/16	[unclear]	[unclear]	[unclear]
3	10/17/16	[unclear]	[unclear]	[unclear]
4	10/17/16	[unclear]	[unclear]	[unclear]
5	10/17/16	[unclear]	[unclear]	[unclear]
6	10/17/16	[unclear]	[unclear]	[unclear]
7	10/17/16	[unclear]	[unclear]	[unclear]
8	10/17/16	[unclear]	[unclear]	[unclear]
9	10/17/16	[unclear]	[unclear]	[unclear]
10	10/17/16	[unclear]	[unclear]	[unclear]

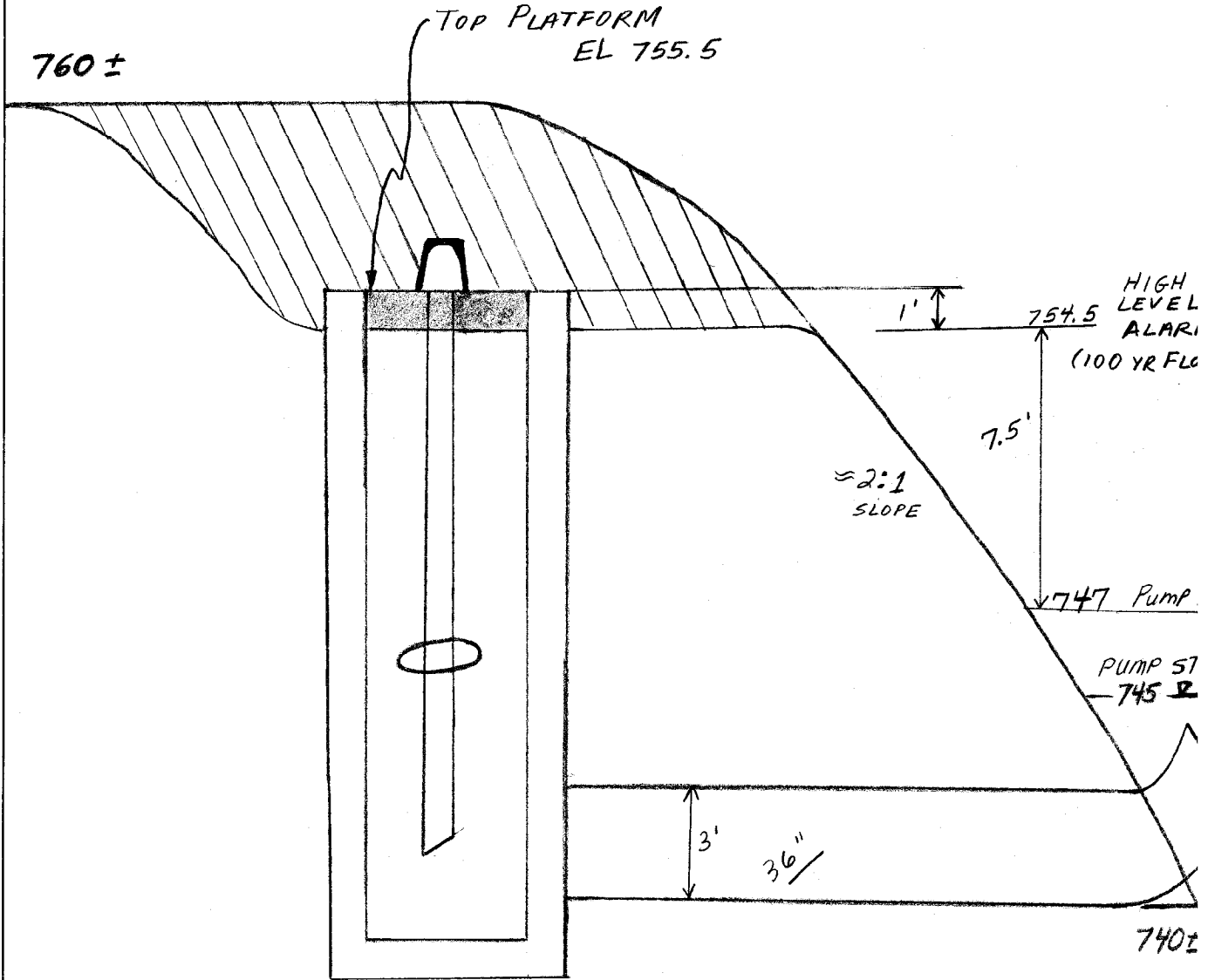
KINGSTON FOSSIL PLANT
COAL YARD RUNOFF POND

SHEET _____ OF _____

-PUMP

COMPUTED CLM DATE 5-2-94

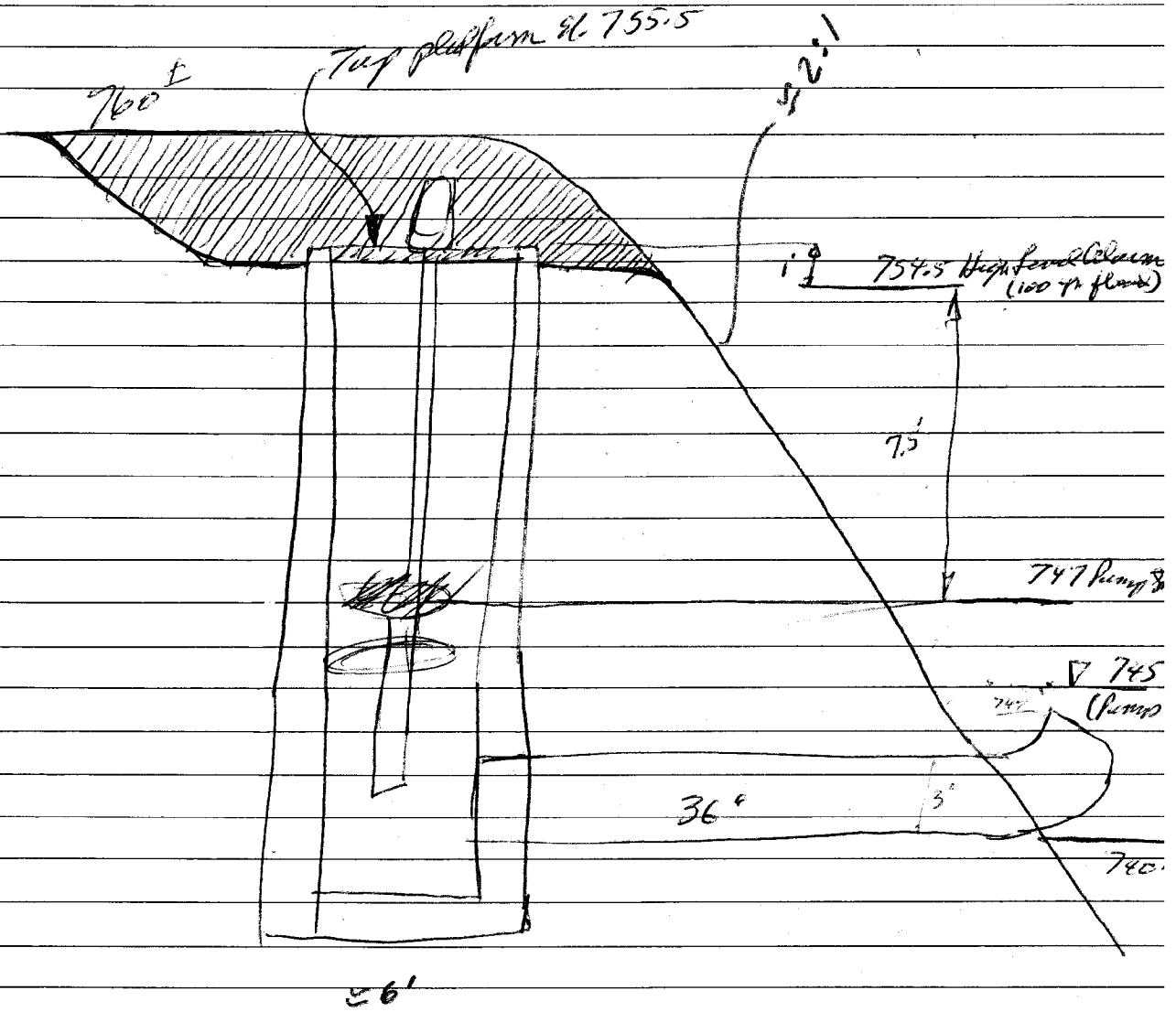
CHECKED _____ DATE _____



TVA 11030 (WM-7-75)

COMPUTED _____ DATE _____

CHECKED _____ DATE _____



Sketch

JFS

4/29/94

left copy of Don Pohl