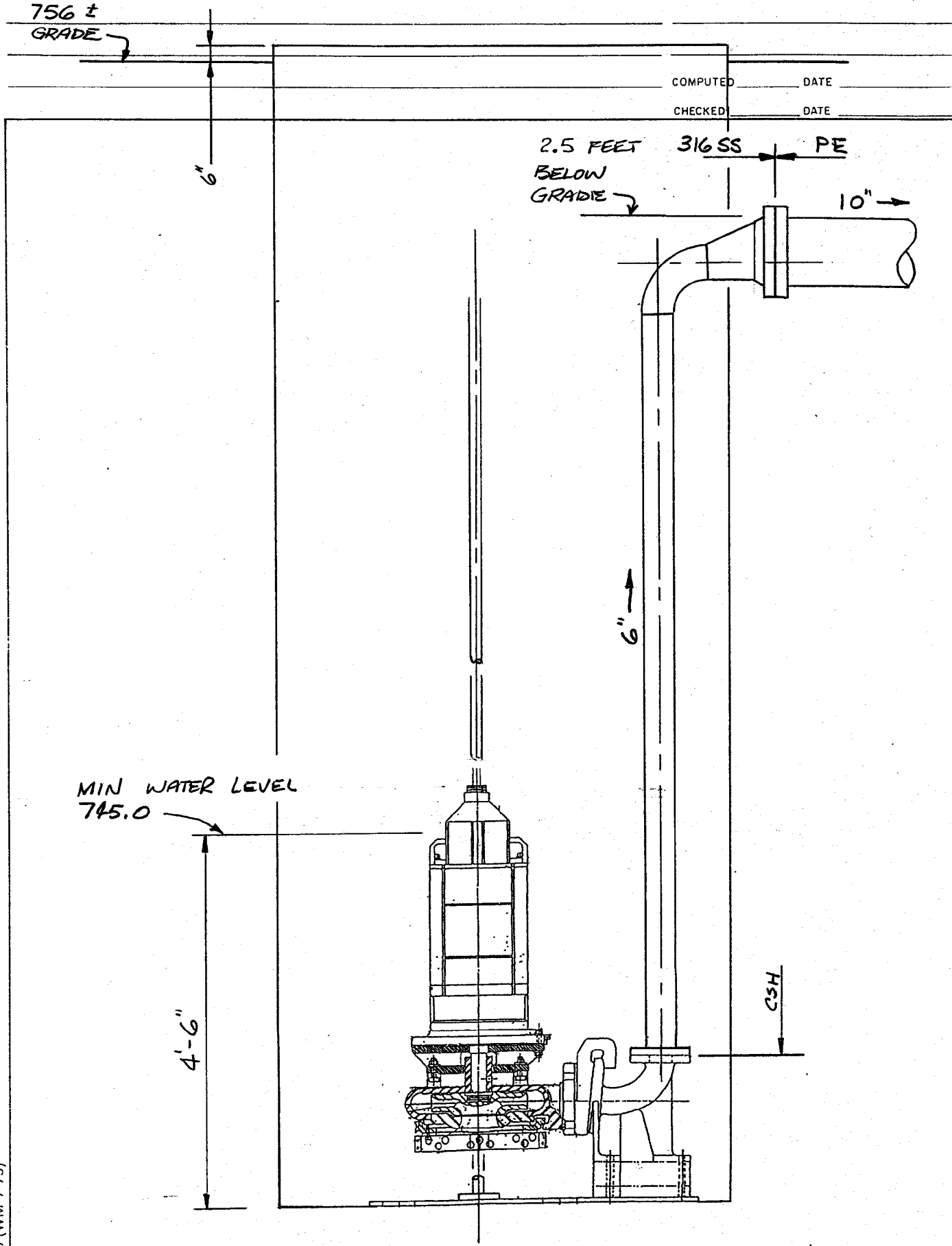


756 ±
GRADE

COMPUTED _____ DATE _____
CHECKED _____ DATE _____



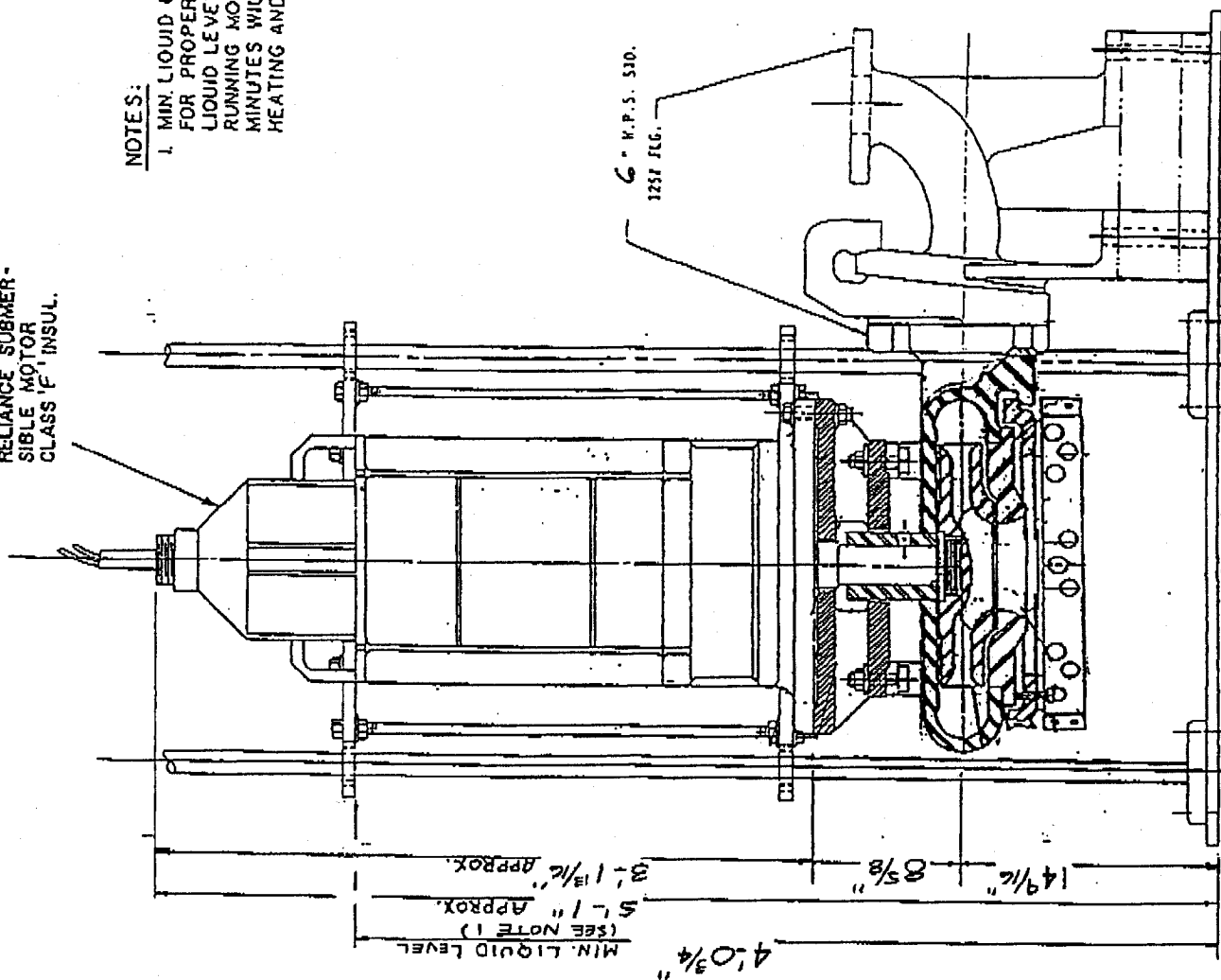
TVA 11030 (WM-7-75)

25' OF OIL RESISTANT CORD
W/NEOPRENE INSULATION

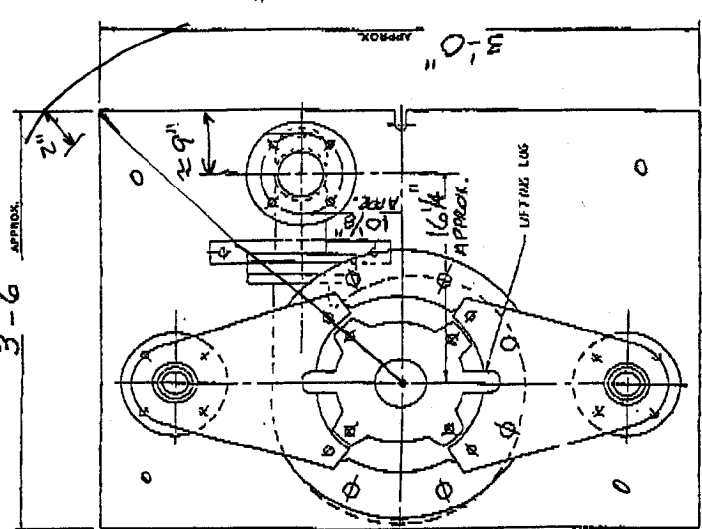
40 HP 1200 RPM
3 PH 60 HZ 460 V
FRAME 320 TYP TENV
RELIANCE SUBMER-
SIBLE MOTOR
CLASS 'F' INSUL.

NOTES:

- 1. MIN. LIQUID LEVEL MUST BE MAINTAINED FOR PROPER MOTOR OPERATION. IF LIQUID LEVEL DROPS BELOW THIS DIM., RUNNING MOTOR MORE THAN 15 MINUTES WILL RESULT IN MOTOR OVERHEATING AND SYSTEM SHUTDOWN.



6" N.P.S. 530.
125T ICG.



(NOT TO SCALE)
PRELIMINARY DRAWING
 NOT TO BE USED FOR
 CONSTRUCTION PURPOSES

MASTER DWG BY HYDRA 1-1-82

REV. 1
PROP. NO. 94-05-026
PAGE NO. 1
DATE 9-30-94
Nagle Pumps, Inc. CHICAGO, ILLINOIS, U.S.A.
6" SME 143

6' φ