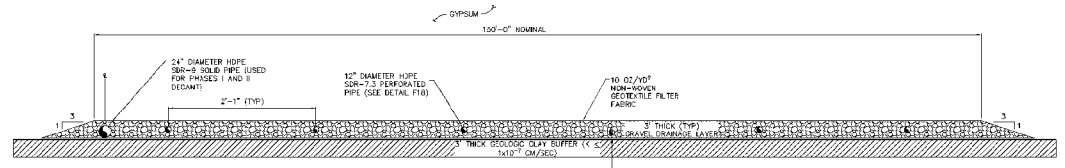
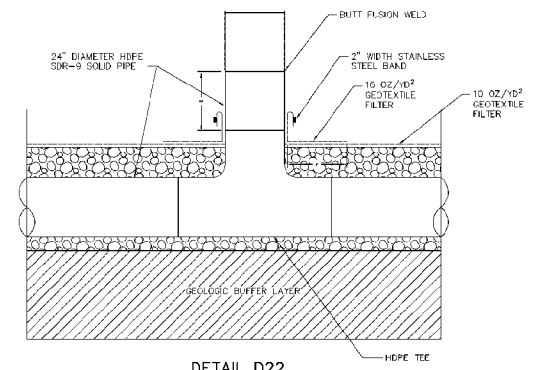


A  
B  
C  
D  
E  
F  
G  
H

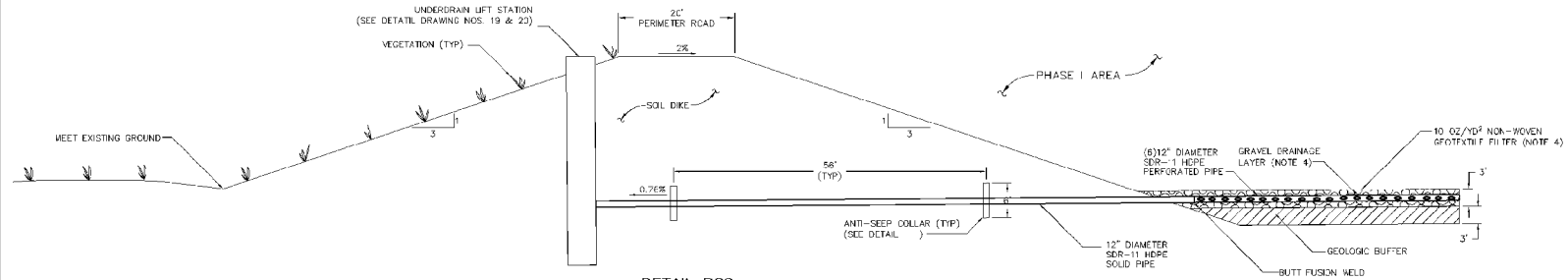
A  
B  
C  
D  
E  
F  
G  
H



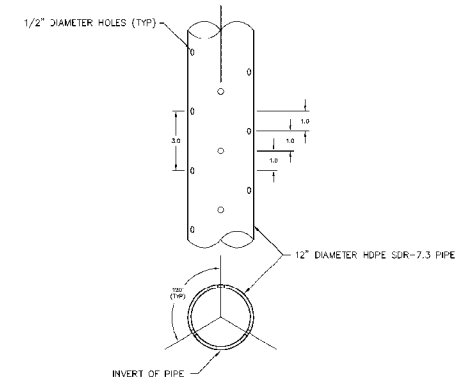
DETAIL A22  
GEologic BUFFER AND CENTRAL DRAINAGE CORRIDOR (NOTE 2)



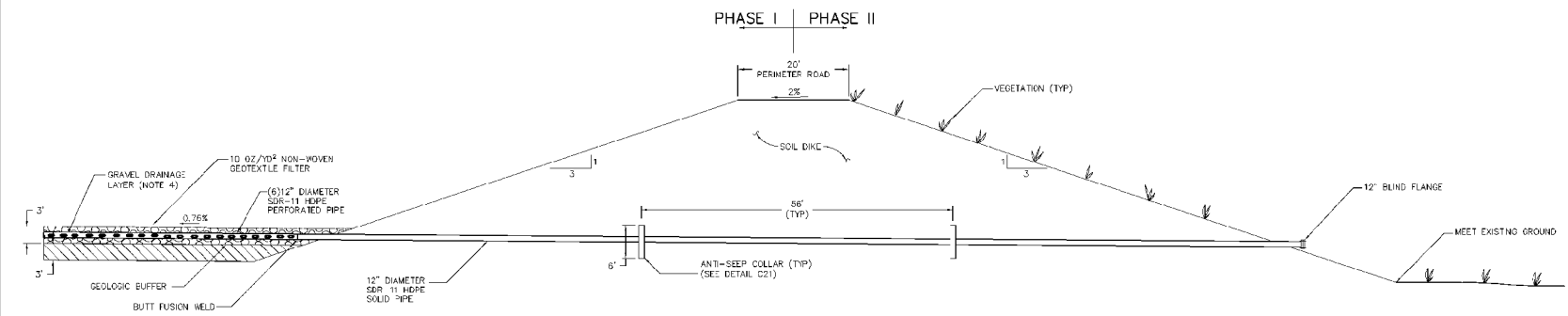
DETAIL D22  
PHASE I PIPE DECANT STRUCTURE (NOTE 2)  
SCALE: 1" = 2'



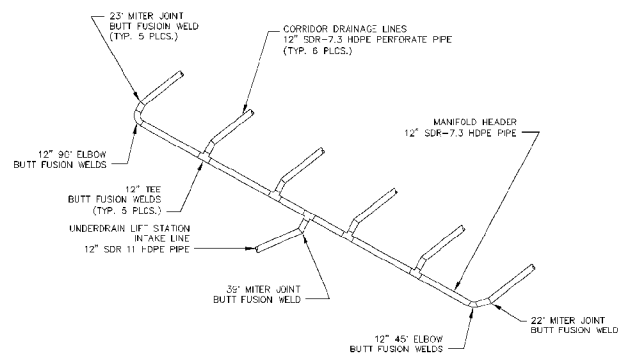
DETAIL B22  
DRAINAGE PIPE PENETRATION OF PERIMETER SOIL DIKE  
SCALE: 1" = 10'



DETAIL E22  
PERFORATED DRAINAGE PIPE  
SCALE: NTS



DETAIL C22  
PHASE I CENTRAL DRAINAGE CORRIDOR TERMINATION  
SCALE: 1" = 10'



DETAIL F22  
UNDERDRAIN MANIFOLD

- NOTES:**
1. AVOID VEHICLE TRAFFIC ON TOP OF OUTLET PIPE.
  2. THE GEologic CLAY BUFFER AND COMPONENTS OF THE CENTRAL DRAINAGE CORRIDOR ARE CONSTRUCTED IN ACCORDANCE WITH THE MATERIAL SPECIFICATION AND CONSTRUCTION QUALITY ASSURANCE AND QUALITY CONTROL PLAN INCLUDED IN APPENDIX F OF THIS PERMIT APPLICATION.

REV	DATE	BY	CHKD	APPD	ISSD	PROJECT	AS SHOWN	SCALE	EXCEPT AS NOTED
R 0	02/08	JTS	SAH	JTS	HLP	BAK			
INITIAL DESIGN FOR W.O. KTF 00-200003-000 RG									
SCALE: 1"=200'									
YARD									
FGD GYPSUM DISPOSAL FACILITY DRAINAGE SYSTEM DETAILS SHEET 2 OF 2									
DESIGNED BY:	DRAWN BY:	CHECKED BY:	SUPERVISED BY:	REVIEWED BY:	APPROVED BY:	ISSUED BY:			
J.T. STEIN	S.A. HAMBY	J.T. STEIN							
KINGSTON FOSSIL PLANT TENNESSEE VALLEY AUTHORITY FOSSIL AND HYDRO ENGINEERING									
AUTOCAD PLOT	DATE	36	C	10W428-22	R 0				
		PLOT FACTOR: 1:1		C.A.D. DRAWING		DO NOT ALTER MANUALLY			