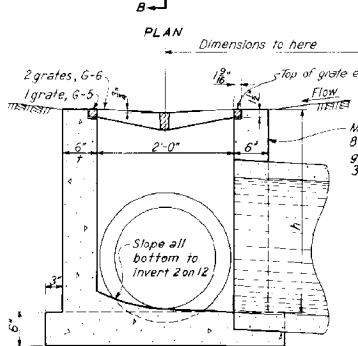
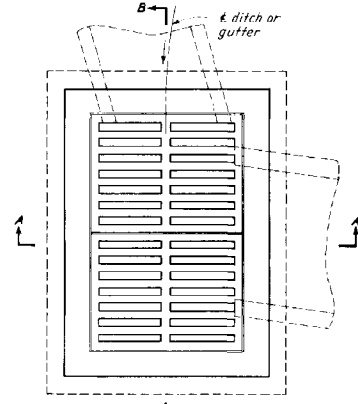
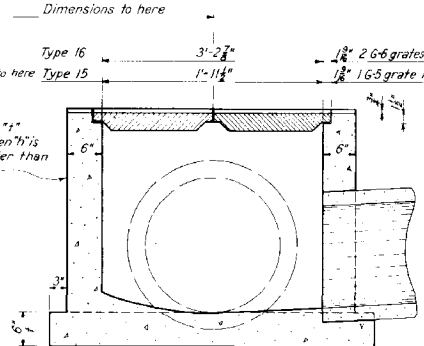


SECTION A-A
TYPE-5&6 CATCH BASINS



SECTION A-A



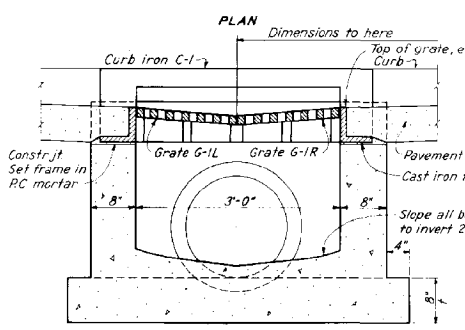
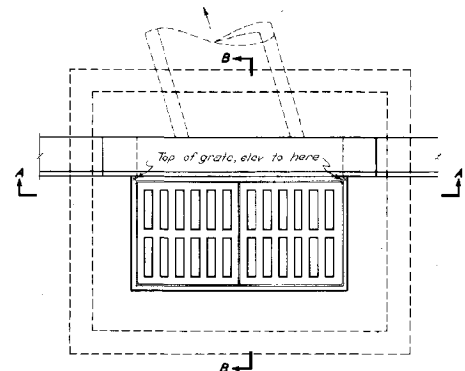
SECTION B-B

**QUANTITIES
TYPE-15 & 16 CATCH BASINS**

BASIN TYPE	CAST IRON MARK	CONCRETE WT-LBS	VOLUME-CU YDS*
15	1-(G-5)	200	0.90
16	2-(G-6)	320	1.03
			0.23
			1.47
			0.26
			1.85
			0.33

*Deduct pipe openings, see table

TYPE 15 & 16 CATCH BASINS

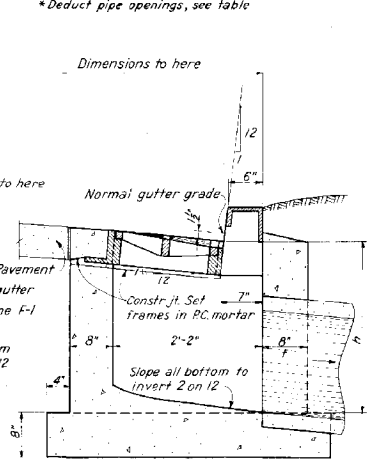


SECTION A-A

**QUANTITIES
TYPE-1 CURB INLET**

BASIN TYPE	CAST IRON MARK	CONCRETE WT-LBS	VOLUME-CU YDS*
1-(F-1)		320	
1-(C-1)		160	
1-(G-1R)		115	
1-(G-1L)		115	
Total		710	1.46

*Deduct pipe openings, see table



SECTION B-B

TYPE-1 CURB INLET

NOTES:
EXCAVATION, FOUNDATION, AND BACKFILL: Section 125, T-1 specs.
CONCRETE: Section 400, T-1 specs, class B concrete

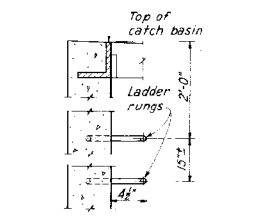
CONNECTION TO PIPE: The connection of pipe to structure shall be neat and secure. Where entire end of pipe does not extend to inside face of structure, the wall of the structure shall be extended by using smooth, rigid, circular forms exactly fitting the inner circumference of the pipe. Where a portion of pipe extends beyond the required inside face of structure, it shall be cut off smooth and flush therewith; except when directed by the engineer, skewed pipe may protrude from the inside face a distance not to exceed 2". Shaping up poor construction with plaster will not be permitted. Where bell and spigot pipe is used, the bell end is to be placed upstream with the end of the pipe flush with face of wall unless otherwise directed by the engineer.

BASIN TYPES: Type 5&6 basins shall be used in areas subject to traffic wheel loads. Type 15&16 basins may be used in areas not subject to wheel loads or as otherwise directed by the engineer.

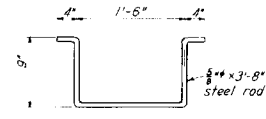
**QUANTITIES
TYPE 5&6 CATCH BASINS**

BASIN TYPE	CAST IRON MARK	CONC WT-LBS	VOL-CU YDS*
1-(F-5)		390	
1-(G-5)		200	
5	Total	590	1.34
1-(F-6)		500	
2-(G-6)		320	
6	Total	820	1.66

*Deduct pipe openings, see table



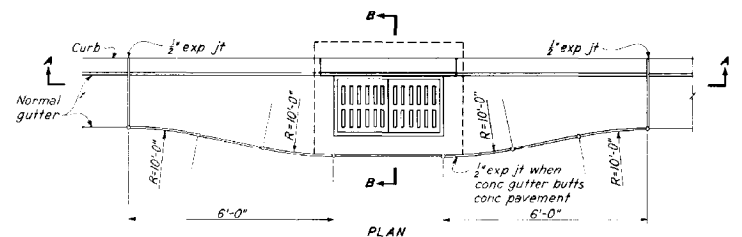
SECTIONAL ELEVATION THRU BASIN



PLAN OF LADDER RUNG

DETAIL - LADDER

Required for basins where "h" is greater than 4'-0"
Not to scale
Note:
Payment for furnishing and installing ladders shall be included in price bid for catch basin conc class B.



SECTION A-A

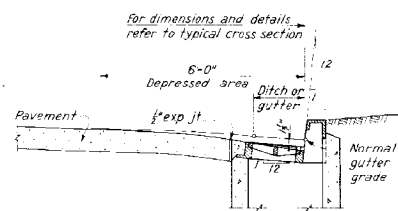
SETTING DETAILS - FRAME F-1

Scale 1/4"=1'-0"

**CONCRETE DEDUCTIONS*
FOR PIPE DISPLACEMENTS, SKEW 90°**

Pipe Size	15"	18"	24"	30"
Cu yds for 1'-6"	0.02	0.03	0.06	0.09
Cu yds for 1'-8"	0.03	0.04	0.08	0.12

*Concrete volume computed and paid to inside diameter of pipes.



SECTION B-B

COMPANION DRAWING: 10H249

REV	DATE	BY	CHKD	APP'D	DESCRIPTION
1					REVISED FOR TOP OF GRATE
2					REVISED FOR SUPPLY
3					REVISED FOR SUPPLY
4					REVISED FOR SUPPLY
5					REVISED FOR SUPPLY

**STANDARD DRAWING
CATCH BASINS
&
INLETS**

**KINGSTON STEAM PLANT
TENNESSEE VALLEY AUTHORITY
DIVISION OF DESIGN**

SUBMITTED	RECOMMENDED	REVIEWED	APPROVED
B. P. Pelt	Frank W. White	W. H. Miller	R. C. Morrow
KNOXVILLE	4-29-82	3B C 4	10H248R1