

## Answers To Your COMAT Questions

### Federal Dangerous Goods Regulations

The U.S. Department of Transportation's Hazardous Materials Regulations (49 CFR Parts 171-180) require hazardous materials to be properly classified, described, marked and labeled, packaged, handled, stowed, and secured. Employees performing these functions must be properly trained.

### What Kind Of Training Is Required?

Hazmat Training Must Include:

- General awareness/familiarization
- Function-specific
- Label recognition
- Safety
- Training Records for each employee

## PENALTIES

A violation of the Federal Hazardous Materials Regulations can result in **five years imprisonment and penalties of \$250,000** or more (49 U.S.C. 5124).

## Need Additional Information?

To obtain additional answers to your COMAT questions call FAA at:



**(202) 267-7530**

or

Hazardous Materials Info-Line: (800) 467-4922

Visit [FAA's Civil Aviation Security](#)

[Dangerous Goods Program Website](#)

<http://cas.faa.gov/cas/dgp.htm>

[DOT's Hazardous Materials Homepage](#)

<http://hazmat.dot.gov>

## Need Additional Copies?

To obtain additional copies of this publication:

**E-Mail: [TRAINING@dot.gov](mailto:TRAINING@dot.gov)**

VOICE: (800)467-4922, X3

FAX: (202)366-7342

U.S. Department of Transportation  
Pipeline and Hazardous Materials Safety Administration  
Office of Hazardous Materials Initiatives & Training/PHH-50  
400 Seventh Street, SW  
Washington, DC 20590-0001

RSPA-X0131  
11/00



Oxygen Generators



Radioactive Exit Signs

Is  
**Your  
COMAT**  
Safe  
To  
Fly?



Fire Extinguishers



Fuel Control Unit



U.S. Department of Transportation  
Pipeline and Hazardous Materials  
Safety Administration

# Answers to Your COMAT Questions

## What is COMAT?

COMAT is the abbreviation for Air Carrier **CO**mpany **MAT**erials.

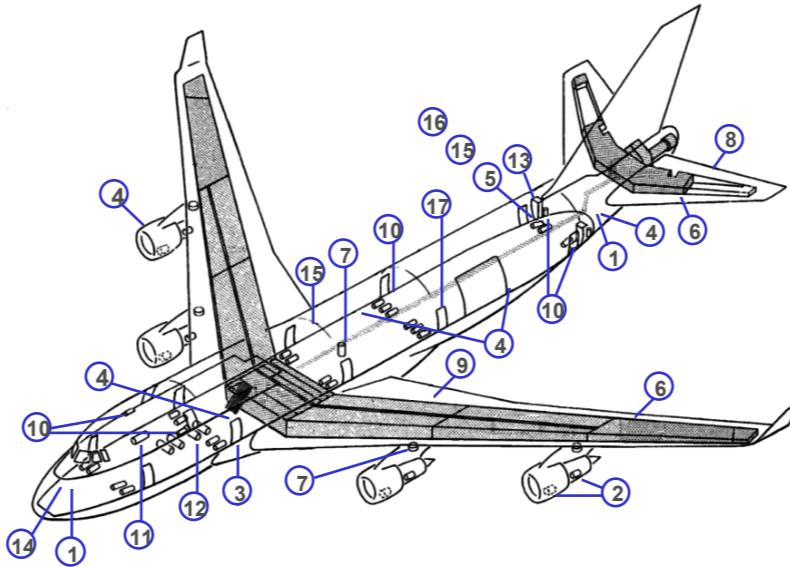
Many of these materials are regulated as hazardous materials under the DOT Hazardous Materials Regulations (HMR; 49 CFR Parts 171-180) and as dangerous goods under international regulations.

## What Types of COMAT Are Regulated As Hazardous Materials?

COMAT shipped as replacement items for installed equipment, serviceable items, or items removed for servicing and repair may be regulated as hazardous materials/dangerous goods. It is the responsibility of each airline to determine whether such items are subject to the HMR/Dangerous Goods Regulations. Some typical items include oxygen bottles, life rafts, paint, and most other chemicals, fuels, chemical oxygen generators, unpurged fuel pumps, fire extinguishers, airplane batteries, under seat life vests, rain repellent, radioactive exit signs, auxiliary power units, first aid kits and emergency slides.

## What Regulations Apply To The Transport Of COMAT?

Hazardous Materials/Dangerous Goods consumed or used in the aircraft industry, including expendable items of replacement, are fully regulated and subject to all applicable HMR/Dangerous Goods Regulations. The HMR requires the proper classification, description, marking, labeling, packaging, handling, stowage, and securing of such items and training of all hazmat employees.



## Hazardous Materials Onboard Aircraft

- |  |  |
|--|--|
| 1 <b>Batteries, Aircraft</b> (qty 2)   | 10 <b>Oxygen Bottles, Portable, Gaseous</b>  |
| 2 <b>Engine Oil</b> (waste only)   | 11 <b>Oxygen Bottles, Crew System, Gaseous</b>   |
| 3 <b>Escape Slides/Life Rafts</b> (all entry doors/rafts optional)                           | 12 <b>Oxygen Bottles, Passenger System, Gaseous</b> (Standard)                                 |
| 4 <b>Fire Bottles</b> (APU, engines, lower cargo compartment, and lavatory waste containers) | 13 <b>Oxygen Generators</b> (optional: each PSU standard: each attendant station and lavatory) |
| 5 <b>Fire Extinguishers</b> (attendant stations, closets, galleys, etc.)                     | 14 <b>Rain Repellent</b>   |
| 6 <b>Fuel</b>  | 15 <b>Refrigerant</b> (located in each galley)   |
| 7 <b>Hydraulic Fluid, Reservoirs,</b> (waste only)   | 16 <b>Smoke Hoods</b>  |
| 8 <b>Uranium,</b> (depleted, counter-balance weights)  | 17 <b>Tritium Signs</b> (aisles and emergency exit doors)                                      |
| 9 <b>Ordnance Devices</b> (off-wing escape)  |  |

## Who May Transport COMAT?

Only an airline with an FAA approved Hazardous Material/Dangerous Goods program may transport its own materials as COMAT. If an airline does not have an approved program, it must offer its COMAT to another carrier for transport as cargo.

## Do the Regulations Provide Any Exceptions For The Transport of COMAT?

Installed equipment containing hazardous materials OR hazardous materials required aboard an airplane to meet airworthiness requirements of the FAA are exempted from the HMR. There is limited relief provided in 49 CFR 175.10(a)(2) for the transport of COMAT if it is being transported as an item of replacement. Specialized packaging may be used in place of required packaging if it provides at least an equivalent level of protection. Aircraft batteries may exceed the 25 kg quantity limit imposed on other batteries for transport aboard passenger aircraft. All other applicable hazardous materials regulations - such as, preparation of shipping papers, marking and labeling of packages, handling, stowage, securement, and training of employees - still apply.

## Did You Know?

The Following Are Examples of Hazardous Materials Which **MUST** Be Declared Properly:

|  |                       |
|--|-----------------------|
| Cabin Fire Extinguisher                      | Radioactive Exit Sign |
| Chemical Oxygen Generator                    | Rain Repellent        |
| Auxiliary Power Unit                         | First Aid Kit         |
| Unpurged Fuel Control Unit                   | Life Raft             |
| Depleted Uranium Control Balance             | Aircraft Batteries    |
| Crew Oxygen Cylinder                         | Under Seat Life Vest  |
| Engine Fire Extinguisher and Explosive Squib |                       |
| Emergency Walk Around Oxygen Cylinder        |                       |
| Cargo Compartment Halon Fire Extinguisher    |                       |