

JOINT
PUBLIC NOTICE

CHARLESTON DISTRICT, CORPS OF ENGINEERS
69A Hagood Avenue
Charleston, South Carolina 29403-5107
and
THE S.C. DEPARTMENT OF HEALTH AND ENVIRONMENTAL CONTROL
Office of Environmental Quality Control
Water Quality Certification and Wetlands Programs Section
2600 Bull Street
Columbia, South Carolina 29201

REGULATORY DIVISION

Refer to: P/N # 1996-11054-2IX (FKA: 96-1W-466)

January 24, 2013

Pursuant to Section 10 of the Rivers and Harbors Act of 1899 (33 U.S.C. 403), the South Carolina Coastal Zone Management Act (48-39-10 et seq.) and the S.C. Construction in Navigable Waters Permit Program (R. 19-450, et seq., 1976 S.C. Code of Laws, as amended), an application has been submitted to the Department of the Army and the S.C. Department of Health and Environmental Control by

ALAN WEISS
1370 BLACKS CAMP ROAD
CROSS, SOUTH CAROLINA 29436

for a permit to construct two fixed piers and six floating piers in

LAKE MOULTRIE

at 1370 Blacks Camp Road, Cross, Berkeley County, South Carolina. Latitude 33.348773 N;
Longitude -80.116512W.

In order to give all interested parties an opportunity to express their views

NOTICE

is hereby given that written statements regarding the proposed work will be received by the **Corps** until

15 Days from the Date of this Notice

and **SCDHEC** will receive written statements regarding the proposed work until

30 Days from the Date of this Notice

from those interested in the activity and whose interests may be affected by the proposed work.

The proposed work involves the construction of six floating piers and two fixed piers. Pier "A" is a fixed pier that is to be located on the north end of the property and will provide lake access and mooring for the rental units on that end. It consists of a 4' x 92' walkway leading out to a perpendicularly attached 4' x 24' walkway. A proposed 9' x 8' shed with a metal roof is being constructed at the junction of the two walkways.

Pier "B" is a fixed pier that is to be located south and adjacent to the on-site existing piers and will be used primarily as a staging facility for fishing tournaments. It consists of two 30' x 30' hexagon-shaped gazebos connected by a covered 8' x 38' walkway.

Piers "C", "D", "E", "F", "G", and "H" are all floating dock structures and are to be located at the south end of the property. They are to provide lake access and mooring for the campground and will all consist of a 4' x 10' fixed pier leading to a 6' x 20' floating dock. A 4' x 10' ramp with handrails will connect the fixed pier and floating dock.

NOTE: Plans depicting the work described in this notice are available and will be provided, upon receipt of a written request, to anyone that is interested in obtaining a copy of the plans for the specific project. The request must identify the project of interest by public notice number and a self-addressed stamped envelope must also be provided for mailing the drawings to you. Your request for drawings should be addressed to the

**U.S. Army Corps of Engineers
ATTN: REGULATORY DIVISION
69A Hagood Avenue
Charleston, South Carolina 29403-5107**

The work shown on this application must be certified as consistent with applicable provisions of the Coastal Zone Management Program (15 CFR 930). The District Engineer will not process this application to a conclusion until such certification is received. This activity may also require evaluation for compliance with the S.C. Construction in Navigable Waters Permit Program. State review, permitting and certification is conducted by the S.C. Department of Health and Environmental Control. The applicant is hereby advised that supplemental information may be required by the State to facilitate the review. Persons wishing to comment or object to State certification or the navigable waters permit must submit all comments in writing to the S.C. Department of Health and Environmental Control at the above address within thirty (30) days of the date of this notice.

This notice initiates the Essential Fish Habitat (EFH) consultation requirements of the Magnuson-Stevens Fishery Conservation and Management Act. Implementation of the proposed project would result in 0.06 acres of shading impact to estuarine substrates and emergent wetlands utilized by various life stages of species comprising the red drum, shrimp, and snapper-grouper management complexes. Our initial determination is that the proposed action would not have a substantial individual or cumulative adverse impact on EFH or fisheries managed by the South Atlantic Fishery Management Council and the National Marine Fisheries Service (NMFS). Our final determination relative to project impacts and the need for mitigation measures is subject to review by and coordination with the NMFS.

The District Engineer has consulted the most recently available information and has determined that the project will have no effect on any Federally endangered, threatened, or proposed species and will not result in the destruction or adverse modification of designated or proposed critical habitat. This public notice serves as a request to the U.S. Fish and Wildlife Service and the National Marine Fisheries Service for any additional information they may have on whether any listed or proposed endangered or threatened species or designated or proposed critical habitat may be present in the area which would be affected by the activity, pursuant to Section 7(c) of the Endangered Species Act of 1973 (as amended).

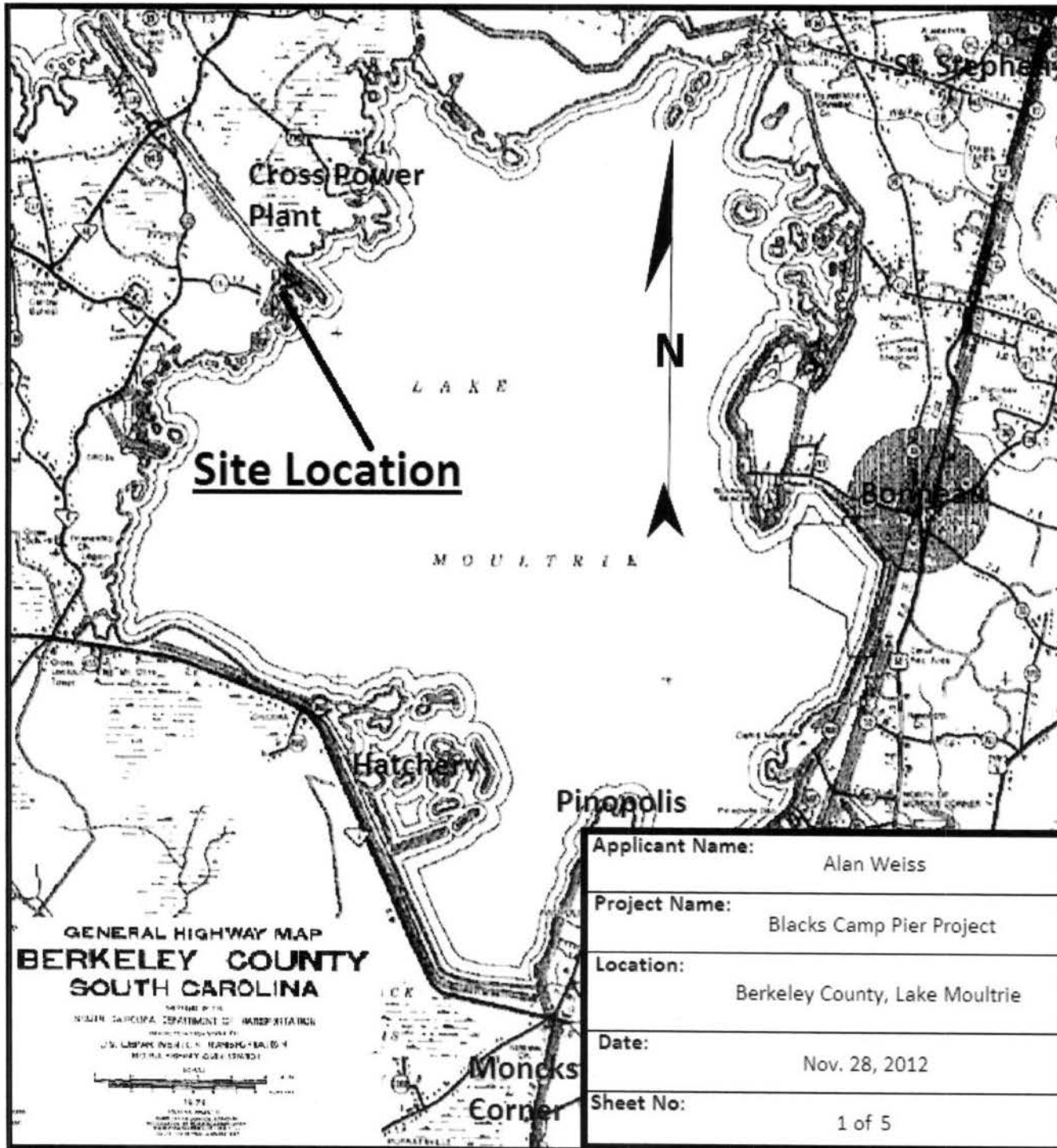
In accordance with the NHPA, the District Engineer has also consulted the latest published version of the National Register of Historic Places for the presence or absence of registered properties, or properties listed as being eligible for inclusion therein, and this worksite is not included as a registered property or property listed as being eligible for inclusion in the Register. To insure that other cultural resources that the District Engineer is not aware of are not overlooked, this public notice also serves as a request to the State Historic Preservation Office to provide any information it may have with regard to historic and cultural resources.

Any person may request, in writing, within the comment period specified in this notice, that a public hearing be held to consider this application. Requests for a public hearing shall state, with particularity, the reasons for holding a public hearing.

The decision whether to issue a permit will be based on an evaluation of the probable impact including cumulative impacts of the activity on the public interest. That decision will reflect the national concern for both protection and utilization of important resources. The benefit which reasonably may be expected to accrue from the project must be balanced against its reasonably foreseeable detriments. All factors which may be relevant to the project will be considered including the cumulative effects thereof; among those are conservation, economics, aesthetics, general environmental concerns, wetlands, historic properties, fish and wildlife values, flood hazards, flood plain values, land use, navigation, shoreline erosion and accretion, recreation, water supply and conservation, water quality, energy needs, safety, food and fiber production and, in general, the needs and welfare of the people. A permit will be granted unless the District Engineer determines that it would be contrary to the public interest. In cases of conflicting property rights, the Corps of Engineers cannot undertake to adjudicate rival claims.

The Corps of Engineers is soliciting comments from the public; Federal, state, and local agencies and officials; Indian Tribes; and other interested parties in order to consider and evaluate the impacts of this activity. Any comments received will be considered by the Corps of Engineers to determine whether to issue, modify, condition or deny a permit for this project. To make this decision, comments are used to assess impacts on endangered species, historic properties, water quality, general environmental effects, and the other public interest factors listed above. Comments are used in the preparation of an Environmental Assessment and/or an Environmental Impact Statement pursuant to the National Environmental Policy Act. Comments are also used to determine the need for a public hearing and to determine the overall public interest of the activity.

If there are any questions concerning this public notice, please contact Richard Chong at 843-329-8044 or toll free at 1-866-329-8187.



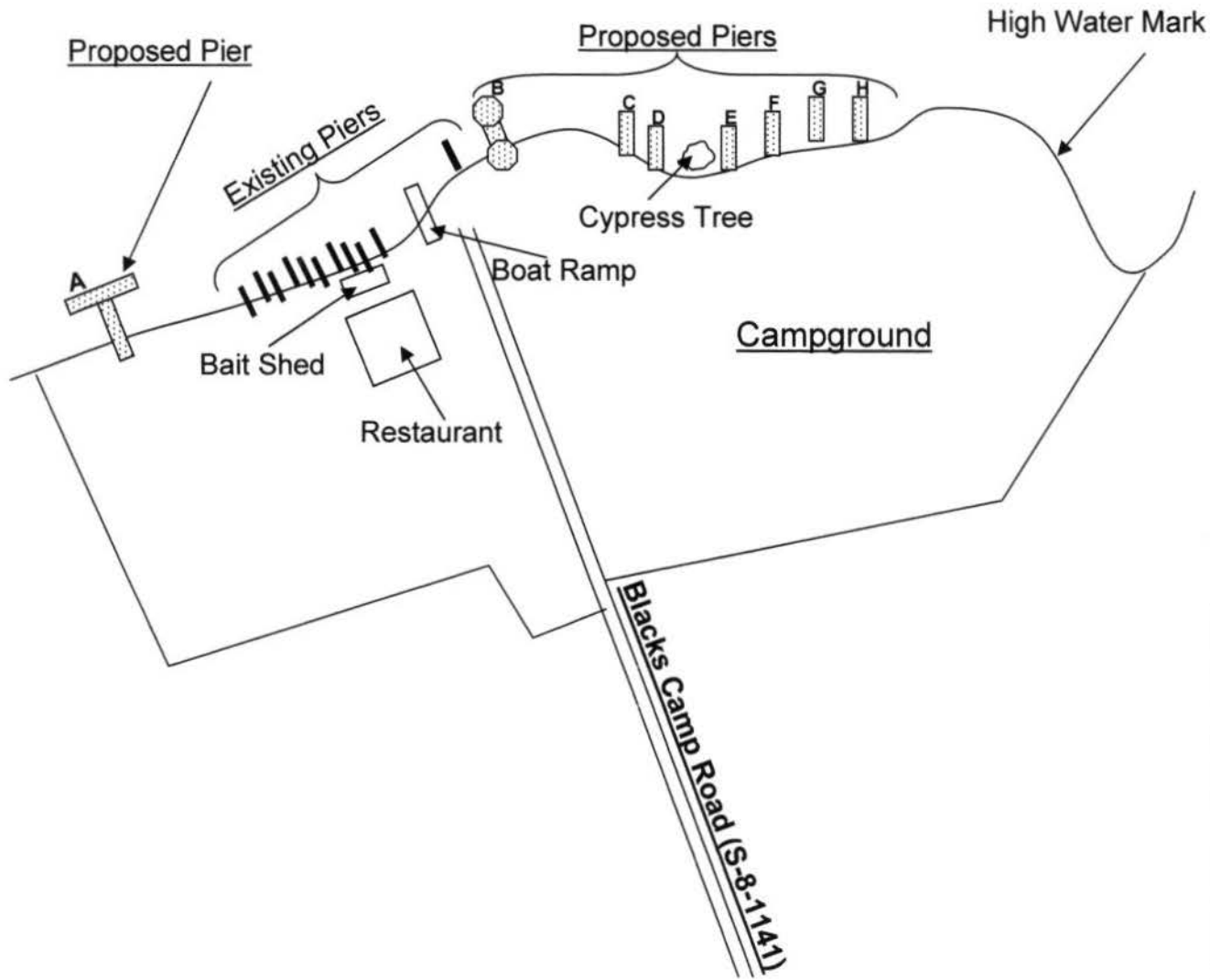
Applicant Name:	Alan Weiss
Project Name:	Blacks Camp Pier Project
Location:	Berkeley County, Lake Moultrie
Date:	Nov. 28, 2012
Sheet No:	1 of 5

Blacks Camp Pier Project
 SAC# 1996-11054-2IX
 Berkeley County, SC
 November 28, 2012
 Sheet 1 of 5

Black's Camp Pier Project (Plan View)

Not to Scale

Lake Moultrie

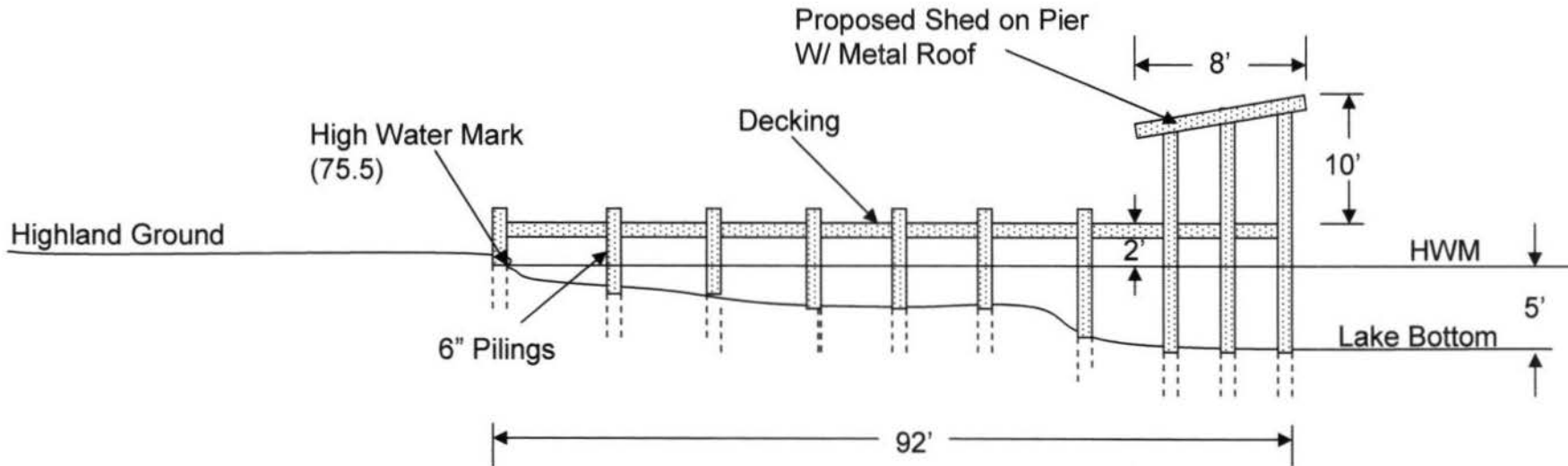


Blacks Camp Pier Project
SAC# 1996-11054-2IX
Berkeley County, SC
November 28, 2012
Sheet 2 of 5

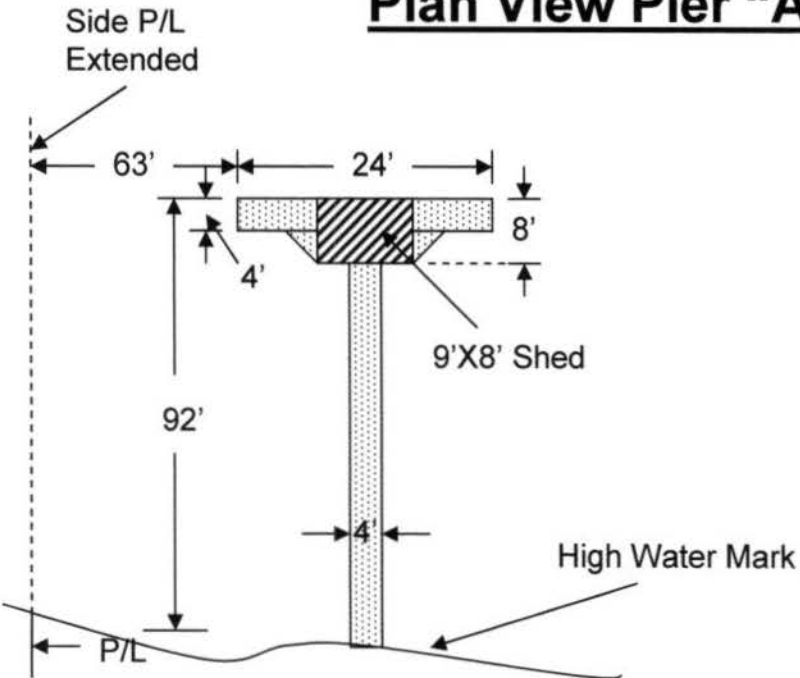


Applicant Name:	Alan Weiss
Project Name:	Black's Camp Pier Project
Location:	Berkeley County, Lake Moultrie
Date:	Nov. 28, 2012
Sheet No.	2 of 5

Side View Pier "A"



Plan View Pier "A"



Blacks Camp Pier Project
 SAC# 1996-11054-2IX
 Berkeley County, SC
 November 28, 2012
 Sheet 3 of 5

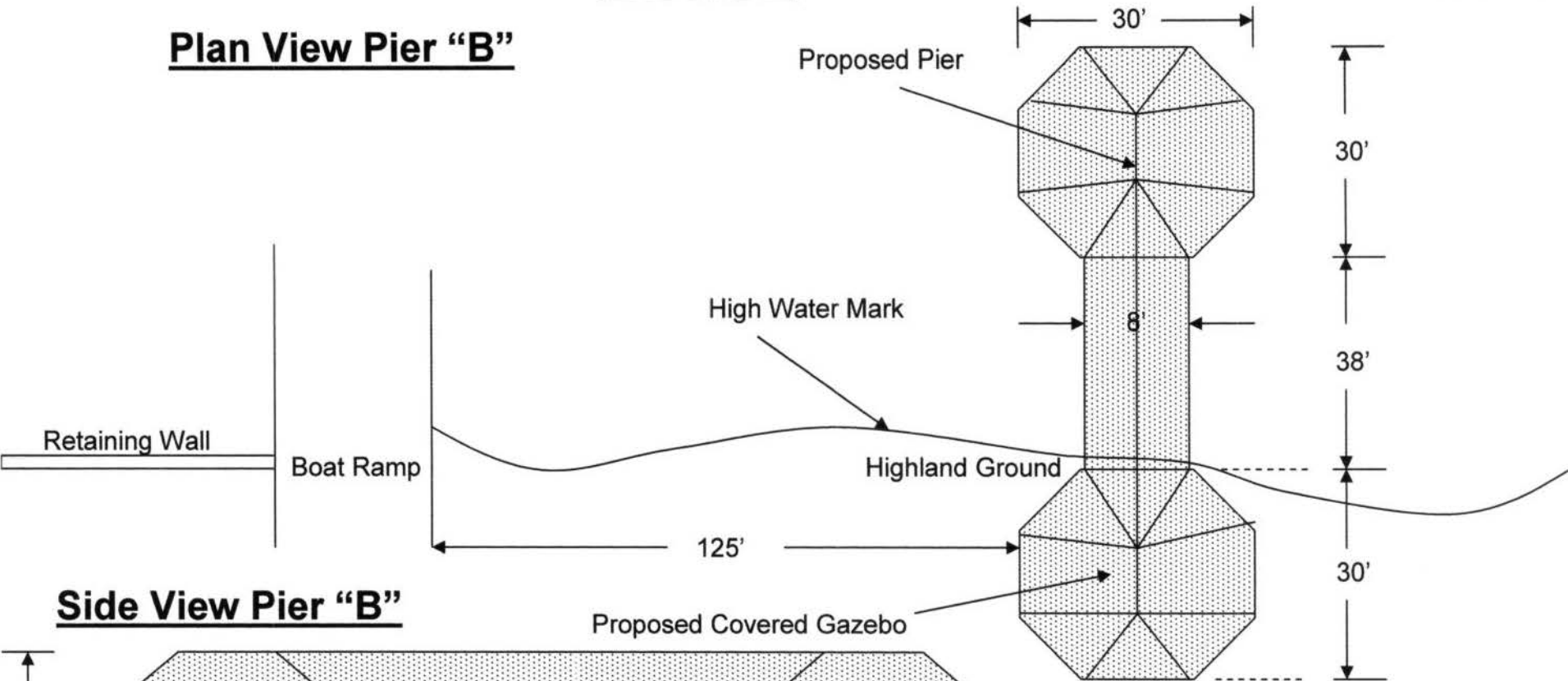


Alan Weiss	
Project Name:	Black's camp Pier Project
Location:	Berkeley County, Lake Moultrie
Date:	Nov. 28, 2012
Sheet No.	3 of 5

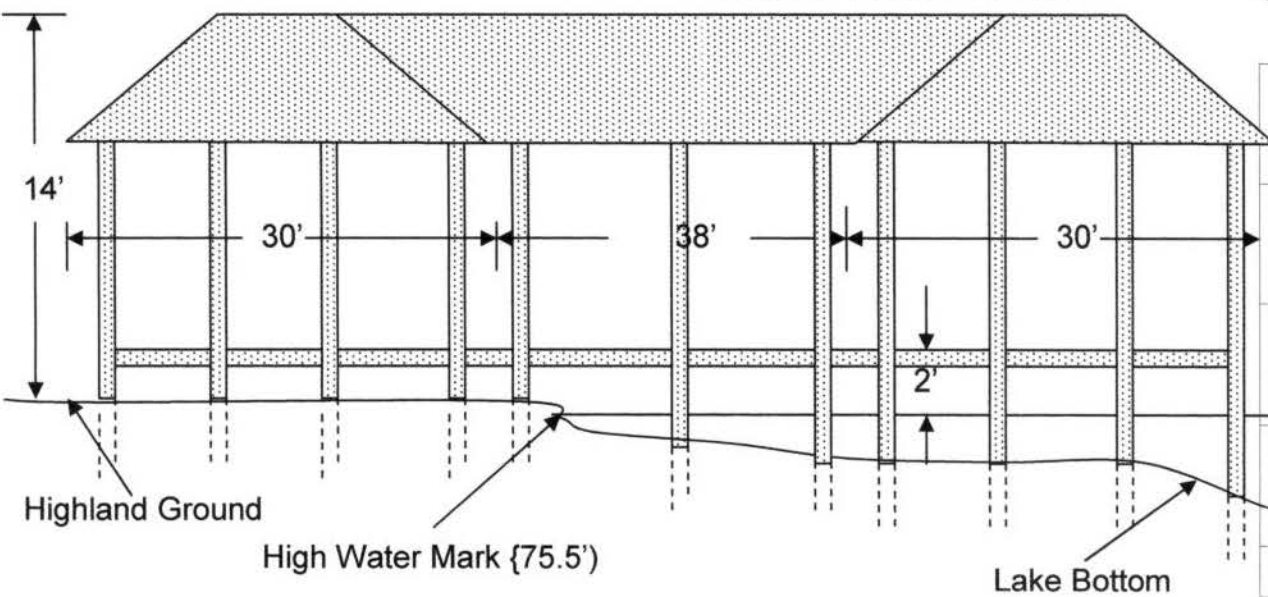
Lake Moultrie

Not to Scale

Plan View Pier "B"



Side View Pier "B"

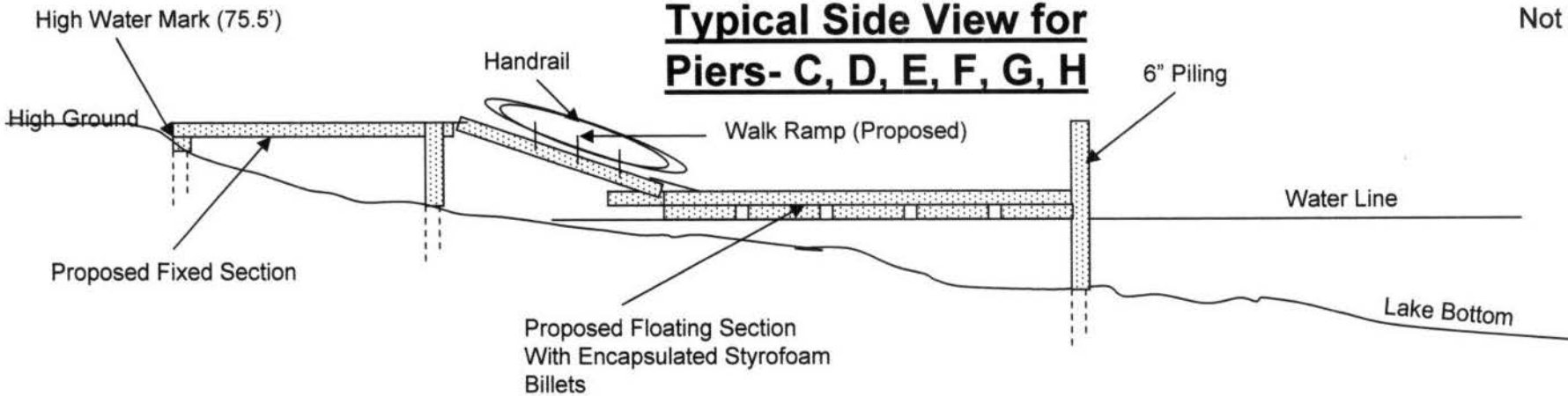


Applicant Name:	Alan Weiss
Project Name:	Black's Camp Pier Project
Location:	Berkley County, Lake Moultrie
Date:	Blacks Camp Pier Project SAC# 1996-11054-2IX Berkeley County, SC November 28, 2012
Sheet:	Sheet 4 of 5

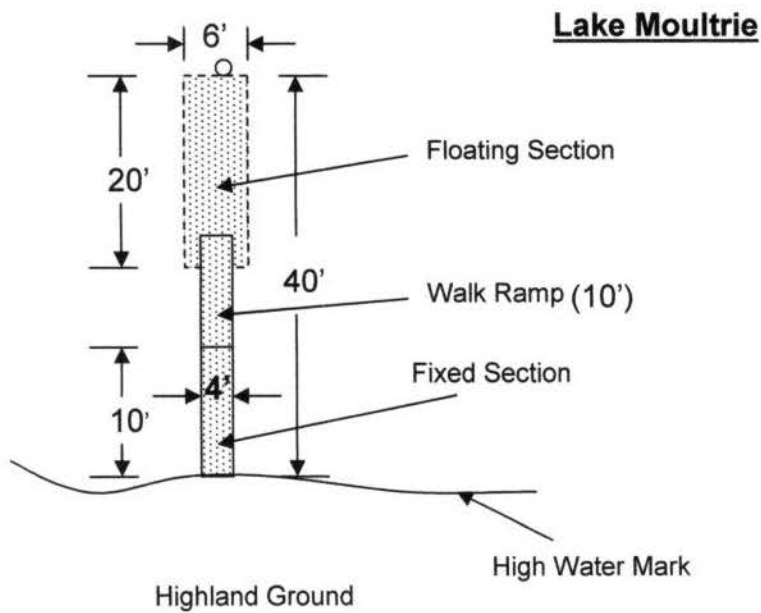


Not to Scale

Typical Side View for Piers- C, D, E, F, G, H



Typical Plan View for Piers C, D, E, F, G, H



Blacks Camp Pier Project
 SAC# 1996-11054-2IX
 Berkeley County, SC
 November 28, 2012
 Sheet 5 of 5



Applicant Name:	Alan Weiss
Project Name:	Blacks Camp Pier Project
Location:	Berkeley County, Lake Moultrie
Date:	Nov. 28, 2012
Sheet No.	5 of 5