

A large, stylized graphic of a rainbow is the central feature of the cover. It is composed of several thick, parallel bands of color: blue, green, yellow, red, and pink. The bands are arranged in a series of nested, right-angled shapes that create a sense of depth and movement, starting from the top left and extending towards the bottom right.

Interference

Handbook
1993 Edition

Federal Communications Commission

NOTICE: Addresses, telephone numbers, and contact information listed in this publication are long out of date and may not be valid. You may be able to contact manufacturers and vendors through their Internet Web sites. We regret that the FCC cannot provide current contact information for these businesses.

FCC Field Office locations and contact information is no longer correct for many offices.

[January 2004]

CONTENTS

PART I: INTERFERENCE TO TELEVISION RECEPTION

| | | |
|-----------|---|----|
| CHAPTER 1 | TWO-WAY RADIO TRANSMITTER | 5 |
| | INFORMATION FOR TELEVISION OWNERS | 6 |
| | INFORMATION FOR RADIO TRANSMITTER OPERATORS | 7 |
| | INFORMATION FOR CB OPERATORS | 8 |
| | INFORMATION FOR AMATEUR OPERATORS | 9 |
| CHAPTER 2 | ELECTRICAL INTERFERENCE | 10 |
| | COMMON ELECTRICAL INTERFERENCE SOURCES | 10 |
| | POWER COMPANY ELECTRICAL EQUIPMENT | 12 |
| | DOORBELL TRANSFORMERS | 12 |
| CHAPTER 3 | FM RADIO TRANSMITTERS | 13 |
| CHAPTER 4 | COMPUTERS, PAGING SYSTEMS | 15 |
| | VIDEO CASSETTE RECORDERS (VCRs) | 15 |
| | BOOSTER AMPLIFIERS | 16 |
| CHAPTER 5 | OTHER INTERFERENCE INFORMATION | 17 |
| | FRINGE AREA RECEPTION | 17 |
| | GHOSTING | 17 |
| | CO-CHANNEL INTERFERENCE | 17 |

PART II: INTERFERENCE TO OTHER EQUIPMENT

| | | |
|------------------|--|-----------|
| CHAPTER 6 | TELEPHONES, CORDLESS TELEPHONES ... | 18 |
| | ELECTRONIC ORGANS, AM/FM RADIOS | 20 |
| | STEREO AND HI-FI EQUIPMENT | 20 |

PART III: ADDITIONAL INFORMATION

| | | |
|------------------|---|-----------|
| CHAPTER 7 | WHERE TO GET HELP | 21 |
| | ASSOCIATIONS | 21 |
| | MANUFACTURERS | 22 |
| | FCC OFFICES | 36 |
| CHAPTER 8 | FILTER INFORMATION | 38 |
| CHAPTER 9 | TECHNICAL INFORMATION FOR SERVICE | |
| | TECHNICIANS | 41 |
| | RADIO TRANSMITTER MODIFICATIONS | 41 |
| | RESOLVING INTERFERENCE AT THE | |
| | TELEVISION RECEIVER | 43 |
| | ELECTRICAL, FM AND AUDIO | |
| | INTERFERENCE | 47 |

Acknowledgements

Text prepared by the Staff of the Public Service Division, Field Operations Bureau, Federal Communications Commission (FCC).

Cover: Designed by FCC Office of Managing Director, Printing Branch.

Photography: FCC Office of Science and Technology, Laurel Laboratory and Field Operations Bureau.

Manufacturers' List: American Radio Relay League
Newington, Conn. 00611

Electronic Industries Association
Washington, D.C. 20006

1986 Edition

INTRODUCTION

This handbook has been produced to help you resolve interference to your television, stereo or telephone equipment. Part I identifies some of the more common sources of interference to television reception. It also contains illustrations of various types of interference that may affect your television reception. Recommendations to help you locate the source of the interference and determine an appropriate solution are provided. Part II concerns interference to other electronic equipment. Resolution of interference problems usually requires cooperation between equipment owners. Part III provides references for assistance from equipment manufacturers, distributors and service technicians.

The Commission encourages consumers to be sure that their TV, stereo, or other electronic equipment can sufficiently reject undesired radio frequency signals. Likewise, transmitter operators must take all necessary steps to reduce or eliminate interference from their equipment.

PART I

SOURCES OF INTERFERENCE TO TELEVISION RECEPTION

CHAPTER 1

TWO-WAY RADIO TRANSMITTER INTERFERENCE



This pattern may appear on your television screen when your set is receiving signals from a CB, amateur, police, or other two-way radio transmitter. The pattern will only appear when the operator transmits. It may vary according to the type of signal being received. You may also hear the operator's voice.

INFORMATION FOR TV OWNER

Your first step is to look for one or more of the common problems listed below and attempt the recommended solutions. These problems are all potential reasons why your television may receive interference.

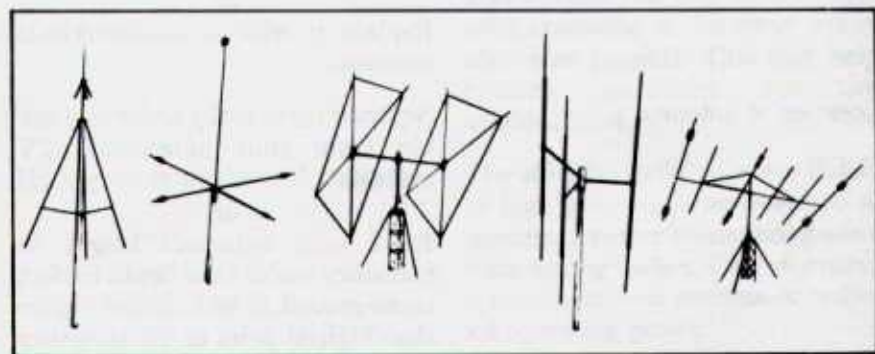
| PROBLEM: | RECOMMENDED SOLUTIONS: |
|--|---|
| VCR connection | See "VCR", page 15. |
| Cable TV connection | |
| —defective splitter | Repair or replace |
| —damaged cables | Contact cable company |
| —loose or open connectors | Contact cable company |
| —incompatible converter boxes | Replace if owned. If leased, contact cable company |
| —illegal taps | Remove or contact cable company |
| Broken or disconnected lead-in antenna wires | Replace or repair |
| Twin-lead antenna wire | Replace using coaxial cable with matching transformers (often called baluns) |
| Indoor antenna (rabbit ears) | Replace with an outdoor antenna |
| Poor outdoor antenna location | Reposition antenna for best reception |
| Distance from TV transmitter | Consider installation of a highly directional outdoor antenna if more than 25-35 miles from TV transmitter. See "fringe area reception," page 17. |
| Inadequate booster or distribution amplifier | Install filters, repair or replace malfunctioning amplifier as required. See "Booster amplifiers," page 16. |

7

These common problems may not be the only cause of your interference. The recommended solution may not work. If your interference problem continues, try installing a high-pass filter on the back of your TV set at the antenna terminals. Follow installation instructions that accompany the filter.

If the filter does not work, you should locate the owner or operator of the radio transmitter. Give them a copy of the **Radio Transmitter Operator Information** section of this handbook. If you do not know who the operator is, check your neighbors' roofs and yards for one of the antennas shown below. Any radio transmitter within 500 feet of your residence can cause interference. If there are several antennas in your neighborhood, contact the owner of the one nearest you. Also attempt to determine if the nearest transmitter is being operated when your TV is receiving the interference. Your neighbors may also be able to help you locate the operator.

If the interference continues after the transmitter operator implements our recommended solutions, contact your equipment manufacturer or a qualified service technician for alternative solutions.



INFORMATION FOR RADIO TRANSMITTER OPERATORS

If you receive a complaint about interference from your radio transmitter you should voluntarily take the steps outlined below. This may prevent the Federal Communications Commission from directing you to do so.

The following problems are common reasons why transmitters cause interference. Follow the recommended solutions. If you need assistance with any of these solutions contact your dealer, equipment manufacturer, or a local transmitter repair shop. **NOTE: IT IS ILLEGAL TO USE A LINEAR AMPLIFIER WITH CB EQUIPMENT.**

INFORMATION FOR CB OPERATORS

| PROBLEM: | RECOMMENDED SOLUTIONS: |
|---|---|
| Linear Amplifier | Permanently disconnect the illegal device. |
| Harmonics or spurious emissions | Install a low-pass filter in the transmitter antenna feedline. |
| Illegally installed equipment that <i>VIOLATES TYPE ACCEPTANCE RULES</i> such as extra channels, external attachments, rewired circuits or extra switches | Have transmitter technician or repair shop remove operator installed equipment. |
| Beam or high gain antenna | Rotate antenna in another direction, preferably away from nearby residences or Replace it with a non-directional antenna. |
| Location of antenna | Separate horizontally as far as possible from your neighbor's TV antenna or Raise your antenna's height as necessary within legal limits. (60 feet above ground, or up to 20 feet higher than highest point of the structure upon which it is mounted.) |
| Level of transmitter output power exceeds legal 4 watt limit | Reduce to 4 watts. |
| Transmitter grounds | Connect transmitter chassis to a good earth ground with large diameter wire or copper strap. |
| Loose chassis | Tighten the screws holding the chassis and case together. <i>Do not operate the transmitter with its case or cover removed.</i> |

INFORMATION FOR AMATEUR OPERATORS

| PROBLEM: | RECOMMENDED SOLUTIONS: |
|-----------------------------------|---|
| Harmonics and spurious emissions. | Install a low-pass filter in the antenna feed line, or in the coaxial link to the antenna tuner or Install a filter between the transmitter (exciter) and the input to the amplifier. A second filter should be installed at the amplifier's output. |
| Use of maximum power levels | Conduct tests by reducing your power to determine the effect that reduced power will have on the level of interference. If lower power operations reduce or eliminate the interference, you may wish to consider operating at the lower power whenever possible. This may help restore harmony to the neighborhood. |
| High gain or directional antenna | The effective radiated power (ERP) of high gain antennas operated at maximum power levels can create a "blanketing" effect. Consider using a non-directional antenna or reduced operating power. |
| Poor grounds | Ground transmitter to a metallic cold water pipe or a ground rod driven at least 8 feet into the ground. Ground lead should be at least #10 wire, copper ribbon or strap. |

Local interference committees are available to help amateurs resolve their interference problems. For assistance in locating a committee in your area, contact the American Radio Relay League, Newington, Connecticut 06111, or the nearest FCC office listed on page 36.

CHAPTER 2

ELECTRICAL INTERFERENCE



PATTERN A



PATTERN B

Pattern A above may appear on your television screen when your set is reacting to an electrical device operating in or near your home. Pattern B can be caused by radio frequency energy generated by power lines or power line equipment. One way to determine if the interference is confined to your home is to check whether your neighbors are also experiencing the problem. If not, the interference is probably caused by something within your home. The operation of electric razors, hair dryers, electric drills and saws also cause temporary interference problems. You may choose to tolerate these types of interference since they are temporary and often expensive to eliminate.

COMMON ELECTRICAL INTERFERENCE SOURCES

The most common sources of electrical interference in the home are:

- Doorbell transformers (See page 12)
- Toaster ovens
- Electric blankets
- Fans
- Heating pads
- Light dimmer controls
- Switch contacts, such as those found on dishwashers, refrigerators and other home appliances
- Aquarium or waterbed heaters
- Sun lamps
- Furnace controls
- Smoke precipitators or detectors
- Home computers
- Ultrasonic pest control devices

- Lights: florescent and mercury vapor
- Neon signs
- Power company electrical equipment (See page 12)

Less common electrical interference sources include:

- Loose fuses or electrical wiring connections
- Sewing machines
- Electrical toys, such as trains
- Calculators
- Electric fences
- Cash registers
- Lightning arrestors
- Video games

WARNING

TO AVOID AN ELECTRICAL SHOCK, ELECTRICAL OR ELECTRONIC EQUIPMENT SHOULD ONLY BE MODIFIED BY QUALIFIED SERVICE TECHNICIANS.

Portable AM radios are susceptible to electrical interference. Use your AM radio to conduct the following "test." This test may help you to locate the device that is causing interference to your TV.

Turn on the portable AM radio and place the indicator between stations at the lower end of the dial until you hear static or a buzzing sound. Move from room to room using the radio as a detection device to locate the source of interference. The noise will be loudest in the room where the interference is originating. Unplug each of the devices previously mentioned, one at a time, until the interference disappears from your TV. The device that you discover is causing the interference must be repaired or replaced.

Another way to discover the source of interference to your TV is to go to the main fuse or circuit breaker box in your home. Remove one fuse at a time, or shut off one circuit breaker at a time, and see if the interference goes away. If the interference does not disappear, replace the fuse or turn the circuit breaker back on. Continue this process until the interference disappears.

When the circuit that supplies the power to the TV is turned off, plug the TV into another circuit. This will enable you to determine if the interference is being generated by a device that is powered by the same circuit as your TV.

If the interference pattern disappears from your TV set when a fuse is removed or a circuit breaker is turned off, go to the area that receives the electricity supplied by the disconnected circuit. Look for any of the devices previously mentioned. If you find any of them, first, replace the fuse or turn the circuit breaker back on. Then unplug the device suspected of causing the problem. If several devices are on this circuit unplug them one at a time until the interference disappears.

If this process does not uncover the source of your interference, ask your immediate neighbors if they are also receiving the interference. If so, your neighbors may want to run the same circuit breaker test.

POWER COMPANY ELECTRICAL EQUIPMENT

If you determine that the interference is not caused by any device in your home or that of your neighbor(s), contact the service department of your local power company. They should investigate the problem and take steps to correct it. You may want to assure that your power company checks for:

- Defective line insulators
- Loose or unbonded hardware
- Discharges from defective lightning arrestors
- Defective transformers

If the power company does not respond to your request for assistance, you may contact the nearest FCC office for help.

DOORBELL TRANSFORMERS

Doorbell transformers can cause interference to your television reception. This type of interference is characterized by Pattern A shown on page 10, which will appear at approximately seven second intervals. It might be helpful to understand why this occurs.

If a doorbell button is pressed too long or if the button becomes stuck, the doorbell power transformer can overheat, causing a fire hazard. For protection, doorbell transformers include an automatic safety switch that turns off the transformer when overheating occurs. After the switch automatically turns the transformer off, it will cool and turn itself back on. This automatic on/off cycle produces a small arc which causes electrical interference. This temperature sensitive device can become defective and react to surrounding temperature changes, especially when the transformer is located in a hot attic. Interference problems from doorbells are generally corrected by having an electrician replace the transformer. The doorbell button should also be examined for jamming, and replaced if defective.

CHAPTER 3

FM RADIO TRANSMITTER INTERFERENCE



This pattern may appear on your TV screen when interference is caused by signals from an FM radio transmitter. The Commission encourages new FM station applicants to consider potential wide spread interference problems and minimize them by selecting a proper transmitter location. FM station operators are required to respond to all reasonable interference complaints once the station begins operating. Therefore, you should first contact the FM Station Manager, Chief Operator or Chief Engineer for assistance. If only TV Channel 6 is affected, you should contact the TV station.

There are two common interference problems that involve FM stations. The first problem may arise when you are receiving a distant TV signal and a new FM station begins operating in your area. Your TV receiver may respond to the nearby FM signal, which may overpower your TV signals. It is important to recognize that TV signals are only designed to be received within a limited number of miles (or radius) of the transmitter. Any TV beyond this is called "fringe area" reception. Although fringe area reception may be satisfactory to you, you are only receiving a weak signal. That signal is highly susceptible to interference. Sometimes, installation of an FM band rejection filter and/or a highly directional antenna may reduce your interference problem. The Chief Engineer of the FM station is a good source of information about interference resolution techniques. If you are not satisfied with the station's response, contact your local FCC office listed in Chapter 7.

A second problem may arise when you attempt to receive a TV signal with a booster amplifier installed in your antenna system. Booster amplifiers are subject to overloading by strong nearby FM signals. When overloading occurs you should install an FM band rejection filter or a tunable FM rejection trap in the feedline between your antenna and booster. In extreme cases it may be necessary to install a second filter. If so, place the second filter in series with the first one, or at the input terminals of your TV receiver. If your booster amplifier is defective or malfunctioning, it could cause interference throughout your neighborhood. You should have any such booster repaired or replaced. See page 16 for more information on booster amplifiers.



The following information is intended to help you understand the various types of TV signals and how they are transmitted. It is not intended to be a technical manual. For more information on TV signals, see the book "How to Receive TV Signals" by the author of this book. This book is available from the publisher of this book. The following information is intended to help you understand the various types of TV signals and how they are transmitted. It is not intended to be a technical manual. For more information on TV signals, see the book "How to Receive TV Signals" by the author of this book. This book is available from the publisher of this book.

CHAPTER 4

COMPUTERS, PAGING SYSTEMS, VIDEO CASSETTE RECORDERS (VCRs), BOOSTER AMPLIFIERS

COMPUTER INTERFERENCE

Computer interference will normally disrupt only your TV reception. Greater distances between the TV and computer may resolve the problem. Occasionally, your computer system may cause interference to your neighbor's TV reception. If this occurs, you are required to discontinue using your computer system until you can eliminate the interference problem.

Consult your owner's manual or the computer dealer or manufacturer.

PAGING SYSTEM INTERFERENCE

You may hear the tone or voice transmission from a one-way common carrier paging system coming through your TV set. The Commission requires paging system operators to respond to interference caused by their transmissions while in the developmental licensing process. If the operator fails to respond to your request, you may contact your local FCC office listed in Chapter 7 of this handbook.

VIDEO CASSETTE RECORDERS (VCRs)

VCRs can receive interference from nearby radio transmitters. To determine if your VCR is receiving the interference and not your TV, turn your TV on, and your VCR off. If the interference continues, the unwanted signal may be entering through either your TV set or antenna system. If the interference disappears, your VCR is picking up the signal.

There are several ways that interference may enter a VCR:

- Directly through the VCR case to its internal components
- Through VCR connections and/or cables
- Through the power cord

Possible solutions include:

- Replacing connecting wires with coaxial cables
- Replacing push-on connectors with screw-on connectors

If these do not work contact the VCR manufacturer for alternative solutions.

BOOSTER AMPLIFIERS

A variety of patterns may appear on your TV screen because of booster amplifier interference. Sometimes a wavy pattern may appear, or the screen may black out for short intervals. If your antenna system uses a booster amplifier, disconnect it. Then connect the antenna directly to your television set. If the interference disappears, have your booster amplifier repaired or replaced. If your TV is connected to a Master Antenna Television (MATV) system, and is receiving interference, contact the building management. If you own your TV antenna system, attempt to locate the amplifier. Amplifiers can be located:

- On the back of a TV
- On an outdoor antenna
- Along a distribution wire that leads from the antenna to the TV
- In a clothes closet, basement, attic or garage

If the interference persists with your amplifier disconnected and bypassed, you may be receiving interference from a neighbor's amplifier. If several neighbors with booster amplifiers all receive interference, the one with the most severe interference is probably the one with the defective amplifier. Sometimes everyone in the neighborhood with an amplifier will have to disconnect and bypass their amplifier, one at a time, to discover which one is defective. Locating a defective amplifier can be difficult. The TV antenna connected to the defective amplifier can radiate interference over an entire neighborhood.

Booster and distribution amplifiers are also susceptible to nearby radio transmitter signals. The installation of filters before and after the amplifier will normally eliminate this kind of interference. If the amplifier is close to the TV, only one filter before the amplifier may be required.

CHAPTER 5

OTHER INTERFERENCE INFORMATION

FRINGE AREA RECEPTION

TV stations are intended to serve viewers only within a limited distance of their transmitters. Any TV reception beyond this distance is called "fringe area" reception. Although fringe area signals may be satisfactory, they are weak signals that are highly susceptible to interference and are not protected by the Commission. If the installation of a directional antenna or filter on your TV set fails to eliminate the interference problem, consider alternative TV services. Cable, satellite, and TV translators are possible alternatives.

GHOSTING

Two conditions may cause a double image of one TV program ("ghosting") to appear on your screen. Ghosting may be caused by the TV signal being reflected, or your TV's antenna or antenna lead-in wire may be in poor condition. Notice that the two images produced by ghosting are the same. Ghosting occurs when a TV signal is being reflected off a mountain, building, or other man-made structure. The signals travel over different paths to your TV set and arrive at slightly different times. Rotate your TV antenna to a new position, or install a shielded ("coax") lead-in wire. These measures may resolve this problem. If these solutions are not effective, have a service representative check the condition of your antenna and replace both the antenna and antenna lead-in wire.

CO-CHANNEL INTERFERENCE

Images from two TV programs will appear on your screen when your set simultaneously receives two TV signals. Note that the two images are different, as though one picture has been placed on top of the other. Co-channel interference may be caused by either atmospheric conditions, or the location of the TV station in relationship to your home. Problems caused by atmospheric conditions probably cannot be corrected. However, such conditions are usually temporary. Problems caused by the location of your home may be reduced or eliminated by installing a more highly directional antenna, or relocating the existing one to a position that best improves reception.

PART II

INTERFERENCE TO OTHER EQUIPMENT

CHAPTER 6

TELEPHONES, ELECTRONIC ORGANS, AM/FM RADIOS, STEREO AND HI-FI EQUIPMENT

Telephones, stereos, computers, electronic organs and home intercom devices can receive interference from nearby radio transmitters. When this happens, the device improperly functions as a radio receiver. Proper shielding or filtering can eliminate such interference. The device receiving interference should be modified in your home while it is being affected by interference. This will enable the service technician to determine where the interfering signal is entering your device.

The device's response will vary according to the interference source. If, for example, your equipment is picking up the signal of a nearby two-way radio transmitter, you likely will hear the radio operator's voice. Electrical interference can cause sizzling, popping or humming sounds.

When electrical interference occurs, you should try to locate the source of the interference. Follow the directions on page 10.

WARNING

TO AVOID AN ELECTRICAL SHOCK, ELECTRICAL OR ELECTRONIC EQUIPMENT SHOULD ONLY BE MODIFIED BY QUALIFIED SERVICE TECHNICIANS

TELEPHONES

Signals from nearby radio transmitters can enter your telephone system through:

- The telephone wire leading to the house
- The telephone wiring inside the house
- The telephone itself

The interference will frequently enter through the telephone itself. Many new models (both pulse and tone types) include features such as automatic redialing and push-button dialing. These features use transistor technology. The transistorized circuits in some of these telephones have not been designed to offer interference protection. Telephone interference can usually be eliminated by installing filters.

The effectiveness of filtering may vary according to the type of telephone. In some cases, a filter installed at the microphone terminal inside the mouthpiece of the handset will eliminate the problem. Modifying your telephone may sometimes be impractical or expensive. When it is, consider changing to another brand or model with better interference protection. Price does not necessarily insure good interference protection. See the FCC Bulletin entitled, "Telephone Interference" for further information.

CORDLESS TELEPHONES

Cordless telephones use radio frequencies. They are actually small two way radio systems. As with any two-way radio, they are susceptible to interference from nearby radio transmitters, including other nearby cordless telephones. The FCC does not protect cordless telephones from interference. However, you may contact the manufacturer of the telephone for assistance. If your cordless telephone causes interference to someone else's equipment, you must stop using it until the interference is eliminated.

SERVICE REFERRALS

| IF YOU: | CONTACT: |
|--------------------------|---|
| Own your own telephone | Dealer or manufacturer's service representative |
| Lease your telephone | Your telephone company's service center |
| Own a cordless telephone | Manufacturer or dealer |

WARNING

Telephones may only be internally modified by the manufacturer or an FCC registered telephone refurbisher. This rule is designed to ensure that telephones continue to comply with FCC registration standards. The local telephone company may also be willing to modify your equipment. Some states allow telephone companies to charge for this service, regardless of whether you lease or own your telephone.

ELECTRONIC ORGANS

If your electronic organ receives radio transmitter interference, contact your electronic organ manufacturer.

AM AND FM RADIOS

Sources of interference to television reception can also cause interference to AM and FM radio reception. Refer to Part I of this handbook.

If your AM or FM radio is receiving electrical interference, relocation of the radio within the home may reduce the interference to a tolerable level. If this does not work, locate the electrical device by using the information beginning on page 10 of this handbook.

Other interference problems may be caused by:

- receiver overload from a nearby transmitter of any type, or
- spurious emissions from a nearby amateur or CB transmitter.

The most likely problem to occur is receiver overload. When overload occurs, it can often be corrected by installing filters or making other modifications to the affected receiver. If spurious emissions are the problem, filtering of the transmitter must be made. Therefore, you should try to locate the transmitter operator. Information about locating transmitter operators begins on page 7 of this handbook.

If one radio station can be heard at two points on the dial, the problem may be due to "image response". If it can be heard on several adjacent channels, the problem may be due to poor receiver selectivity. It is usually impractical or expensive to modify the receiver to overcome these problems. Therefore, you may wish to consider changing to another model or brand of receiver.

WARNING

***TO AVOID AN ELECTRICAL SHOCK, ELECTRICAL OR
ELECTRONIC EQUIPMENT SHOULD ONLY BE MODIFIED
BY QUALIFIED SERVICE TECHNICIANS***

STEREO AND HI-FI EQUIPMENT

Replace any unshielded wires in other equipment, such as stereos, hi-fi systems, or audio amplifiers with high quality shielded wires. If this does not resolve the problem, consult a qualified service technician.

PART III

ADDITIONAL INFORMATION

CHAPTER 7

WHERE TO GET HELP

If you have followed the instructions outlines in this handbook but your interference problem continues, you may want to contact one of the sources listed below for alternative solutions. There may be something unique about your problem that requires a special solution.

In most cases, the addresses listed for associations and manufacturers are those of national offices. They will send your inquiry to a local representative for response.

This section also includes the addresses of FCC office locations.

ASSOCIATIONS

Electronic Industries Association (EIA)

Ms. S. Browne, Executive Director of Consumer Affairs, Electronic Industries Association, 2001 Pennsylvania Avenue, N.W., Washington, D.C. 20006, tel. 202/457-4977 may be contacted for assistance on RFI problems involving products made by manufacturers not listed here.

EIA is engaged in an ongoing program to develop voluntary standards for TV receivers, VCRs and audio products aimed at reducing the effects of interference, three of which have been completed. The Association is also involved in an international program to develop voluntary worldwide standards for radio and audio products.

National Electronic Manufacturers Association (NEMA)

NEMA Standards Publication No. 107, "Methods of Measurement of Radio Influence Voltage (RIV) of High-Voltage Apparatus," covers the methods of Measurement of RIV in the frequency range of 0.015 to 30 MHz that may be associated with high-voltage power apparatus used on

transmission and distribution systems at line voltages of 0.6 kilovolt and above. Originally developed in collaboration with the Edison Electric Institute and the Radio Manufacturers Association (now the Electronic Industries Association) NEMA Publication 107 has since been adopted into the specifications of various utilities and government agencies, including the Rural Electrification Administration. For additional information write NEMA, 2101 L Street, N.W., Washington, D.C. 20037.

MANUFACTURERS

Allen Organ Company

When a complaint is received via a dealer, Allen Organ Company sends the dealer an informational service bulletin on RFI and sufficient components to cover all amplifiers in the affected instrument. This service is offered at no cost to the customer. Refer RFI problems to the local Allen dealer. Inquiries may be made to National Service Manager, Macungie, PA 18062, tel. 215-966-2200.

Altec Lansing International

Refer all RFI problems to Altec Customer Service Department. Contact Altec Lansing International, 10500 West Reno, Oklahoma City, OK 73127 or P.O. Box 26105, Oklahoma City, OK 73126, tel. 405-324-5311.

American Organ Parts

RFI complaints related to Thomas Organs may be sent to Mr. Daniel E. Hofer, American Organ Parts, P.O. Box 1256, Morton Grove, IL 60053, tel. 708-297-5889.

Apple Computer, Inc.

Apple products include business, professional, educational scientific, industrial and home computers, peripheral devices, and software. These products are designed to be compliant with the FCC guidelines covering Class A and Class B computer devices. Inquiries related to RFI should be addressed to any of our more than 800 dealer-operated Level One service centers. If the service technicians there are unable to solve the situation, they will contact the Corporate Engineering Services Group. Inquiries may be sent to Apple Computer, Inc. 20525 Mariani Ave., Cupertino, CA 95014, mail stop 26A or call 800-776-2323.

Arvin Industries, Inc., Consumer Electronics Division

Customer problems involving RFI should be referred to Gene Knott, Manager, Engineering Support Group, 1531 13th St., Columbus, IN 47201, tel. 812-378-1304.

Audio Research Corporation

Audio Research manufactures high-end stereo equipment and related products. RFI suppression is incorporated in the design of the product. If a customer should encounter an RFI problem, contact the nearest Audio Research Dealer or contact Customer Service Department, Audio Research Corp., 5740 Green Circle Dr., Minnetonka, MN 55343, tel. 612-939-0600.

Baldwin Piano and Organ Company

RFI complaints are usually referred to the local Baldwin Dealer or Service Technician. Factory personnel are available to assist the local Technician if necessary. Several Baldwin Technical manual supplements are available with instructions for RFI suppression on specific models. This information is available upon request. Inquiries may be directed to the Manager, Organ Technical Service, Baldwin Piano and Organ Co., 1101 S. Beechwood, Fayetteville, AR 72701, tel. 501-443-1311.

Carver Corporation, Inc.

Carver Corporation manufactures high fidelity components. Problems pertaining to RFI should be directed to 20121 - 48th Avenue West, Lynnwood, WA 98036, tel. 206-775-1202.

Chrysler Motors Corporation

Questions concerning the electromagnetic compatibility of Chrysler Motors vehicles should be discussed with your vehicle dealer or may be addressed to the Chrysler Motors Zone Office listed in the Owners Manual.

Crown International

Crown International is the manufacturer of high-end audio products. RFI suppression is incorporated in the design of the product. If a customer should encounter an RFI problem, contact the Technical Services Department of Crown International, 1718 W. Mishawaka Rd., Elkhart, IN 46517, tel. 219-294-8200.

Curtis Mathes

Curtis Mathes products include color TVs and stereos in portable, console and combination configurations. Customer complaints involving RFI should first be resolved at the retail-dealer level. If not satisfied, then the complaint should be made in writing to to the Consumer Relations Department giving all details of the problem, along with the model information, serial number, date of sale, dealer and service history. Each complaint will be handled individually. Write to Curtis Mathes Manufacturing Co., Consumer Relations Division, 1450 Flatcreek Rd., Athens, TX 75751, tel. 800-473-1920.

Delco Electronics. A subsidiary of GM Corporation (see GM Corp.)

Emerson Radio Corporation

Customers may refer RFI inquiries related to Emerson Radio Corporation, TV and radio problems to Mr. Al Allegretti. Emerson Radio does not supply filters. The address is: Emerson Radio Corporation, One Emerson Lane, North Bergen, NJ 07047; tel. 201-854-4800.

Epicure Products, formerly Elpa Marketing Industries, Inc.

Complaints are handled with respect to parts and labor on an individual basis. Necessary modifications for RFI are made on a no-charge basis for parts and labor during the term of instrument warranty. Beyond warranty, modification parts are available free of charge. The customer then pays for labor involved in the installation of parts. Refer RFI problems to Mr. Jim Orman, National Service Manager, 25 Hale St., Newburyport, MA 01950, tel. 800-225-7932.

Fannon Courier Inc.

If any RFI problems are encountered with units in the Fannon Courier product line, individuals should write 14811 Myford Rd., Tustin, CA 92680, or call 714-669-9890.

Fisher Corporation (See SFS Corporation)

General Electric (See Thompson Consumer Electronics, Inc.)

General Motors Corporation

From time to time you may have questions concerning the electromagnetic compatibility of mobile transmitters when installed on General Motors vehicles. To help avoid such questions from arising, it is urged that care be taken to follow any applicable GM service procedures. The local GM Service Manager for the Car or Truck Division whose vehicle is involved should be contacted for information about such service procedures. If you are unable to obtain such assistance locally or if questions nevertheless arise, GM has established a central contact point for all such

inquiries. Accordingly, you should direct your inquiries to: General Motors Proving Ground, EMC Department Building 40, Milford, MI 48042-2001, tel. 313-685-5206. That department will direct your inquiries to the appropriate division or staff within GM and follow up to see that appropriate action is taken.

H.H. Scott, Inc.

This manufacturer offers a simple instrument sheet to aid customers in resolving problems involving RF pickup. The information includes suggestions about suitable equipment grounding, power-line bypassing and hints and suggestions on how to determine where RF is entering the equipment. Customers should refer any RFI problems to Greg Giordano, Engineering Department, 5601 Westside Avenue, North Bergen, NJ 07047.

Harman/Kardon, Inc.

RFI problems should be directed to Harman/Kardon at 240 Crossways Park West, Woodbury, NY 11797, tel. 516-496-3406. Attention: Customer Relations Dept.

Heath Company

Heath Company suggests that, for fastest service on matters related to RFI, regardless of the product line involved, customers may now reach the Technical Consultation Department by either writing directly to that department at Heath Company, Benton Harbor, MI 49022, or by using a new direct-line telephone system to the department 616-982-3672. Do not write to an individual.

Hitachi Sales Corporation of America

Hitachi's primary products are TVs, radios, tape recorders, hi-fi components and video tape recorders. Hitachi Sales Corporation of America attempts to cure each RFI problem on an individual basis. Customers should provide model number and information concerning the nature of

the problem. RFI problems should be referred to the nearest Hitachi Regional Service Office. *Eastern Regional Office*, 1290 Wall St. West, Lyndhurst, NJ 07071, tel. 201-935-8980, Attention: Service Dept. *Midwestern Regional Office*, 1400 Morse Ave., Elk Grove Village, IL 60007, Attention: Service Dept. *Western Regional Office*, 401 W. Artesia Blvd., Compton, CA 90220, tel. 310-537-8383, Attention: Service Dept. *Southern Regional Office*, 5120 Plaza Dr., College Park, GA 30349, Attention: Service Dept.

J.C. Penney Company, Inc.

J.C. Penney Company asks that customers with RFI problems contact their nearest J.C. Penney store for personal assistance, J.C. Penney Company, Inc., P.O. Box 65900, Dallas, TX 75265, tel. 214-591-8500.

JVC

JVC Company of America requests that customers with RFI problems contact JVC Customer Relations Department at 107 Little Falls Road, Fairfield, NJ 07004, tel. 201-794-3900.

Kenwood U.S.A. Corp.

Kenwood requests that consumers experiencing R.F. Interference problems contact the Customer Relations Department at 310-639-9000 (California). RFI manuals giving ideas, possible solutions and actual case histories are available at no charge to consumers.

Lowrey Division of Norlin Music, Inc.

Lowrey customers should refer RFI problems to the local Lowrey dealer or certified Lowrey technician. Lowrey provides all technicians with technical literature regarding RFI and will provide assistance to local service organizations through its staff of field technical representatives when needed. Inquiries may be directed to Mr. Larry R. Thomas, Director of Product Service, 707 Lake Cook Rd., Deerfield IL 600125.

Madrigal

Address inquiries to the Madrigal Audio Laboratories, Inc. Attn.: Technical Services Department, P.O. Box 781, Middletown, CT 06457.

Magnavox (See Philips Consumer Electronics Corp.)

Marantz Company, Inc.

Marantz manufactures AM/FM receivers, tuners, amplifiers, tape recorders, record players and audio systems. In the event of special FRI cases resulting from extremely high fields, contact the Technical Services Dept. at Marantz corporate offices. Modifications necessary to resolve such RFI problems are provided to customers on an individual basis. Marantz Company, Inc., 20525 Nordhoff St., Chatsworth, CA 91311.

Matsushita Electric Corporation of America (See Panasonic Company, Technics and Quasar Company)**McIntosh Laboratory, Inc.**

McIntosh has a number of authorized service agencies located throughout the country. Customers will be assisted to receive prompt help. RFI and other service-related problems can be directed to Mr. Michael Spencer, Customer Service Manager, 2 Chambers St., Binghamton, NY 13903, tel. 607-723-3512.

Midland International Corporation

If any RFI problems are encountered with Midland portable black-and-white and color TVs or audio and radio products, individuals should contact Mike Bland, Customer Service Manager, P.O. Box 1903, Kansas City, MO 64141, or at 1690 N. Topping, Kansas City, MO 64120, tel. 816-241-8500.

Mitsubishi Electric Sales American, Inc.

RFI reports from the field, beyond the dealer's capability to resolve and in which Mitsubishi becomes involved, are handled on an individual basis. All attempts will be made to give customer satisfaction. Mitsubishi suggests that requests for assistance be addressed to Consumer Relations Department, 5757 Plaza Drive, Cypress, CA 90630-0007, tel. 7145-220-1464.

Montgomery Ward

Service for RFI should be obtained from the nearest Montgomery Ward location. If service is not available locally, the customer may write to: Customer Service Product Manager, Corporate Office, One Montgomery

Ward Plaza, E-5, Chicago, IL 60671, tel. 312-467-2814. The Montgomery Ward field service organization can call upon factory and corporate engineering talent for assistance in handling difficult RFI problems.

Morse Electro Products Corporation (See Pilot Audio Systems)

NuTone, Inc.

Refer RFI problems to Mr. Dan Ledford, Field Service Manager, NuTone, Inc., Madison and Red Bank Rds., Cincinnati, OH 45227, tel. 1-800-922-2593.

Odyssey (See Philips Consumer Electronics Corp.)

Panasonic Company (Matsushita Electric Corporation of America)

When instances of RFI occur, the customer should contact Matsushita Services Company (MSC), the service arm for Panasonic Company. Both companies are divisions of Matsushita Electric Company of America. Inquiries should be sent to MSC, 50 Meadowland Parkway, Secaucus, NJ 07094, Attention: Consumer Affairs Department 2F-3, tel. 201-348-9090. The customer should provide model number, serial number and information concerning the interference, upon review of the problem, the customer will be contacted in an attempt to resolve the interference problem.

Phase Linear Corporation (Division of International Jensen, Inc.)

RFI problems should be directed to Phase Linear Service Dept., Attn: John Lostrascio, Dir. of Sales, 4136 N. United Pkwy., Schiller Park, IL 60176, tel. 800-323-0221.

Philco (See Philips Consumer Electronics Corp.)

Philips Consumer Electronics Corp.

Refer radio frequency interference complaints to: Consumer Affairs Department, Philips Consumer Electronics Corp., P.O. Box 555, Jefferson City, TN 37760.

Pilot Audio Systems

RFI complaints related to Morse and Pilot audio products may be referred to Mr. Jerry Ghanem, Director of Service/Parts Department, 11340 Sherman Way, Sun Valley, CA 91352.

Pioneer Electronics

Contact Manager, Customer Services Department, Pioneer Electronics Service, Inc., Box 1760, Long Beach, CA 90801. Upon receipt of information concerning RFI problems, the Manager will forward the received information to the proper person within the company who can best help resolve the specific problem. Pioneer brand audio/video products, including Laser disc players, are distributed by Pioneer Electronics (USA), Inc., Long Beach, CA. The point of contact, above, serves both companies.

Quasar Company (Matsushita Electric Corporation of America)

When instances of RFI occur, the customer should contact Matsushita Services Company (MSC), the service arm of the Quasar Company. Both companies are divisions of Matsushita Electric Company of America. Inquiries should be sent to MSC, 50 Meadowland Parkway, Secaucus, NJ 07094, Attention: Consumer Affairs Department 2F-3, tel. 201-348-9090. The customer should provide model number, serial number and information concerning the interference, upon review of the problem, the customer will be contacted in an attempt to resolve the interference problem.

RCA(See Thomson Consumer Electronics, Inc.)

Radio Shack (Tandy)

Customers who encounter unique interference problems involving Radio Shack audio products may write to Mr. Randy Lehr, Product Development Engineer, National Headquarters, 1100 One Tandy Center, Fort Worth, TX 76102, tel. 817-878-6890.

Rodgers Instrument Corporation.

RFI problems involving the Rodgers Organ may be referred to Richard (Dick) Johnson, Technical Service Department, 1300 N.E. 25th Avenue, Hillsboro, OR 97124, tel. (503) 648-4181.

Rotel of America, Inc.

Stereo receivers, amplifiers, tuners, and tape decks are made by Rotel. RFI problems should be referred to National Service Manager, P.O. Box 653, Buffalo, NY 14240, tel. 716-842-1807. RFI problems will be handled according to the terms of our limited warranty.

SFS Corporation

If an RFI problem occurs on a Sanyo or Fisher product, contact the nearest authorized SFS service dealer. Should the problem persist, either the customer or the authorized service dealer may contact SFC Corporation, 1200 Walnut Street, P.O. Box 9038, Compton, CA 90224, Attention Engineering Department, tel. 310-537-5830.

Samsung Electronics

When instances of RFI occur, the consumer should contact the Technical Assistance Department at 1-800-833-6616. The model and serial number of the affected product must be supplied and if possible, information on the source of the interference.

RFI problems will be handled according to the terms of our limited warranty. Filter cost and installation charges are the consumer's responsibility.

Sansui Electronics Corporation

RFI problems should be directed to Sansui Electronics, 17150 South Avenue, P.O. 4687, Carson, CA 90746, tel. 310-604-7300, Attn: National Sales Manager.

Sanyo (See SFS Corporation)**Scientific Audio Electronics, Inc.**

Refer RFI inquiries to Mr. George Nijam, National Service Manager, 1502 Gage Road, Montebelo, CA 90640, tel. 213-726-9999.

Sears Roebuck and Company

Sears asks that customers with RFI problems involving a Sears product contact the nearest Sears service department for assistance. Inquiries may be directed to Sears Tower, Dept. 702850, Tech. Mgr., Div. 57, BSC, 39-9-98-01 Chicago, IL 60684, tel. 708-286-2087.

Sharp Electronics Corporation

RFI problems involving Sharp products should be referred to the nearest Sharp Authorized Service Station (SASS). To obtain the address and/or telephone number of the nearest SASS, please call 1-800-447-4700. Should the problem persist, either customer or SASS may contact Sharp Electronics Corporation, Service and Parts Division, Sharp Plaza, Mahwah, NJ 07430, Attention: Customer Information Center.

Sherwood

Sherwood/Inkel Corporation manufactures stereo components, systems and car stereo products. RFI problems will be handled according to Sherwood's Limited Warranty program. Please contact our Technical Representative, 13845 Artesia Blvd., Cerritos, CA 90701, tel. 310-926-6337.

Shure Brothers, Inc.

The manufacturer recommends the use of balanced-line, low impedance microphones and cables. If an RFI problem persists after the above measures have been taken, the customer should contact Shure Brothers, Inc. with specifics so that they may be able to help solve the problem. Refer RFI problems to Customer Services Dept., 222 Hartrey Ave., Evanston, IL 60202, tel. 708-8966-2553.

Sony Corporation of America

Sony Corporation of America requests RFI inquiries be directed to the Sony Information Center, Sony Service Company, Sony Drive, Park Ridge, NJ 07656, tel. 201-368-9272.

Sound Concepts

All RFI complaints are handled at the main laboratories at 27 Newell Rd., Brookline, MA 02146, tel. 617-566-0110. The offending unit should be accompanied by a description of the nature of the RFI. There is no charge for this service except for return shipment.

Soundesign Corporation

Soundesign Corp. Acoustic Dynamics requests that all service problems relating to nenstereo merchandise be referred to Mr. Thomas R. Greene, Administrative Vice President, 34 Exchange Pl., Jersey City, NJ

07302, tel. 201-434-1050. All service problems on stereo merchandise are to be referred to our authorized service centers. The nearest one can be found by calling toll free in the continental U.S., 800-631-3092.

Sylvania (See Philips Consumer Electronics Corp.)

Tandberg of America, Inc.

When RFI occurs in Tandberg products, the manufacturer suggests that the unit be returned to them. Tandberg will do any modification possible to eliminate the RFI. Authorization should be obtained from Mr. Steve Portocarrero prior to return of the unit. Mr. Kevin Bryne, President, 122 Dupont St., Plainview, NY 11803, tel. 516-454-6570.

Technics (Matsushita Electric Corporation of America)

When instances of RFI occur, the customer should contact Matsushita Services Company (MSC), the service arm for Technics. Both companies are divisions of Matsushita Electric Company of America. Inquiries should be sent to MSC, 50 Meadowland Parkway, Secaucus, NJ 07094. Attention: Consumer Affairs Department 2F-3, tel. 201-348-9090. The customer should provide model number, serial number and information concerning the interference, upon review of the problem, the customer will be contacted in an attempt to resolve the interference problem.

Thomas International Electronic Organs (See American Organ Parts)

Thomson Consumer Electronics, Inc.

RFI problems involving TV, VCR and audio products may be referred to Lawrence Elkin, Coordinator, Consumer Relations, Thomson Consumer Electronics, Inc., P.O. Box 1976, Indianapolis, IN 46206, tel. 317-231-4151. Requests for filters should include model number and serial number of the products involved. Filter installation charges will be the customer's responsibility.

Toshiba America, Consumer Products, Inc.

Customers should contact the nearest Zone office listed below to obtain assistance in solving RFI problems involving Toshiba audio/video products. Mr. M. Pluchino, Eastern Zone Service Manager, 82 Totowa Road,

Wayne, NJ 07470, tel. 201-628-8000. Mr. R. Fisher, Central Zone Service Manager, 1010 Johnson Drive, Buffalo Grove, IL 60089, tel. 312-541-9400. Mr. A. Marquez, Western Zone Service Manager, 19500 South Vermont Avenue, Torrance, CA 90502, tel. 213-770-3300.

Uniden Corporation of America

Uniden asks that RFI problems involving their products be referred to Uniden Customer Service and Parts, 9900 Westpoint Drive, Suite 134, Indianapolis, IN 46205, tel. 317-842-2483.

U.S. JVC Corporation (See JVC)

U.S. Pioneer Electronics Corporation (See Pioneer)

Videonics, Inc.

RFI problems should be addressed to Videonics Customer Service, 1370 Dell Avenue, Campbell, CA 95008, telephone 408-866-8300. We will do our utmost to resolve the customer's problems to their satisfaction.

Wells-Gardner Electronics Corporation

Wells-Gardner is a private-label manufacturer of consumer products. Inquiries related to RFI should be referred to the private-label customer (distributor) whose address appears on the model-number label attached to the product. Special problems which may be encountered by private-label customers (distributors) are usually referred to Wells-Gardner, Mr. Harry McComb, Service Manager, 2701 N. Kildare Ave., Chicago, IL 60639, tel. 312-252-8220.

Whirlpool Corporation

RFI complaints related to older Thomas organs may be sent to Mr. Daniel Hofer, Service Manager, Thomas Products, 100 Progress Rd., Lombard, IL 60148, tel. 800-323-4301.

Wurlitzer Company

The Wurlitzer Company makes available a toll-free telephone line, 800-435-2930, to assist any technician or customer in any and all needs pertaining to Wurlitzer products. The Wurlitzer Company maintains a

staff of field service managers who can assist should an RFI problem arise. John L. Yousling, Manager, Consumer and Marketing Services, Wurlitzer Co., 4103 E. Gurler Rd., DeKalb, IL 60015.

Yamaha Electronics Corporation, USA

YAMAHA home and car audio and video product consumers who experience radio frequency interference are invited to telephone 1-800-4YAMAHA, ext. 6097, or write to the YAMAHA Electronics Corp, USA, Att: Customer Relations, 6722 Orangethorpe Ave., Buena Park, CA 90620, for consumer product information.

FCC OFFICE ADDRESSES

ALASKA, Anchorage Office

Federal Communications Commission
6721 West Raspberry Road
Anchorage, Alaska 99502

ARIZONA, Douglas Office

Federal Communications Commission
P.O. Box 6
Douglas, Arizona 85608
Phone (602) 364-8414

CALIFORNIA, San Diego Office

Federal Communications Commission
4542 Ruffner Street
Room 370
San Diego, California 92111-2216
Phone (619) 467-0549

CALIFORNIA, Livermore Office

Federal Communications Commission
P.O. Box 311
Livermore, California 94551-0311
Phone: (510) 447-3614

CALIFORNIA, Los Angeles Office

Federal Communications Commission
Cerritos Corporate Tower
18000 Studebaker Road, Room 600
Cerritos, California 90701
Phone (310) 809-2096

CALIFORNIA, San Francisco Office

Federal Communications Commission
3777 Depot Road, Room 420
Hayward, California 94545-2766
Phone: (510) 732-9046

COLORADO, Denver Office

Federal Communications Commission
165 South Union Blvd.
Suite 800
Lakewood Colorado 80228-2213
Phone: (303) 969-6497

FLORIDA, Vero Beach Office

Federal Communications Commission
P.O. Box 1730
Vero Beach, Florida 32961-1730
Phone: (407) 778-3755

FLORIDA, Miami Office

Federal Communications Commission
Rochester Building, Room 310
8390 N.W. 53rd Street
Miami, Florida 33166
Phone: (305) 526-742070

FLORIDA, Tampa Office

Federal Communications Commission
Room 1215
2203 N. Lois Avenue
Tampa, Florida 33607-3266
Phone: (813) 228-2872

GEORGIA, Atlanta Office

Federal Communications Commission
Room 320, Koger Center, Gwinnett
3575 Koger Blvd.
Duluth, Georgia 30136-4968
Phone: (404) 279-4621

GEORGIA, Power Springs Office

Federal Communications Commission
P.O. Box 85
Powder Springs, Georgia 30073
Phone: (404) 943-5420

HAWAII, Honolulu Office

Federal Communications Commission
P.O. Box 1000
Waipahu, Hawaii 96797
Phone: (808) 677-3318

ILLINOIS, Chicago Office

Federal Communications Commission
Park Ridge Office Center, Rm. 306
1550 Northwest Highway
Park Ridge, Illinois 60068

LOUISIANA, New Orleans Office

Federal Communications Commission
800 West Commerce Rd., Room 505
New Orleans, Louisiana 70123
Phone: (504) 589-2095

MAINE, Belfast Office

Federal Communications Commission
P.O. Box 470
Belfast, Maine 04915
Phone: (207) 338-4088

MARYLAND, Baltimore Office

Federal Communications Commission
1017 Federal Building
31 Hopkins Plaza
Baltimore, Maryland 21201
Phone: (301) 962-2729

MARYLAND, Laurel Office

Federal Communications Commission
P.O. Box 250
Columbia, Maryland 21045
Phone: (301) 725-3474

MASSACHUSETTS, Boston Office

Federal Communications Commission
 NFPA Building
 1 Batterymarch Park
 Quincy, Massachusetts 02169
 Phone: (617) 770-4023

MICHIGAN, Allegan Office

Federal Communications Commission
 P.O. Box 89
 Allegan, Michigan 49010
 Phone: (616) 673-2063

MICHIGAN, Detroit Office

Federal Communications Commission
 24897 Hathaway Street
 Farmington Hills, Michigan 48335-1552
 Phone: (313) 226-6078

MINNESOTA, St. Paul Office

Federal Communications Commission
 693 Federal Bldg. & U.S. Courthouse
 316 North Robert Street
 St. Paul, Minnesota 55101
 Phone: (612) 290-3819

MISSOURI, Kansas City Office

Federal Communications Commission
 Brywood Office Tower, Room 320
 8800 East 63rd Street
 Kansas City, Missouri 64133
 Phone: (816) 353-3773

NEBRASKA, Grand Island Office

Federal Communications Commission
 P.O. Box 1588
 Grand Island, Nebraska 68802
 Phone: (308) 382-4296

NEW YORK, Buffalo Office

Federal Communications Commission
 1307 Federal Building
 111 W. Huron Street
 Buffalo, New York 14202
 Phone: (716) 846-4511

NEW YORK, New York Office

Federal Communications Commission
 201 Varick Street
 New York, New York 10014-4870
 Phone: (212) 620-3437

OREGON, Portland Office

Federal Communications Commission
 1782 Federal Office Building
 1220 S.W. 3rd Avenue
 Portland, Oregon 97204
 Phone: (503) 326-4114

PENNSYLVANIA, Philadelphia Office

Federal Communications Commission
 One Oxford Valley Office Bldg.
 2300 East Lincoln Highway
 Room 404
 Langhorne, Pennsylvania 19047
 Phone: (215) 752-1324

PUERTO RICO, San Juan Office

Federal Communications Commission
 747 Federal Building
 Hato Rey, Puerto Rico 00918-2251
 Phone: (809) 766-5567

TEXAS, Dallas Office

Federal Communications Commission
 9330 LBJ Expressway, Room 1170
 Dallas, Texas 75243
 Phone: (214) 235-3369

TEXAS, Houston Office

Federal Communications Commission
 1225 North Loop West, Room 900
 Houston, Texas 77008
 Phone: (713) 861-6200

TEXAS, Kingsville Office

Federal Communications Commission
 P.O. Box 632
 Kingsville, Texas 78363-0632
 Phone: (512) 592-2531

VIRGINIA, Norfolk Office

Federal Communications Commission
 1200 Communications Circle
 Virginia Beach, Virginia 23455-3725
 Phone: (804) 441-6472

WASHINGTON, Ferndale Office

Federal Communications Commission
 1330 Louisa Trail Rd.
 Custer, Washington 98240
 Phone: (206) 354-4892

WASHINGTON, Seattle Office

Federal Communications Commission
 11410 N.E. 122nd Way
 Suite 312
 Kirkland, Washington 98034-0927
 Phone: (206) 821-9037

CHAPTER 8

FILTER INFORMATION

The following table has been excerpted from "Field Resources Directory", 1985 Edition, American Radio Relay League (ARRL), Newington, Connecticut 06111. It is reprinted with their permission.

The table is based on the results of ARRL tests conducted on the filters listed. New filters are introduced into the marketplace each year, and others are discontinued. Although ARRL tried to make these tests as complete as possible some available filters may not be represented. Some of the filters listed may no longer be available.

| Performance Summary | | | | |
|--|------------------------|-----------------------|-----------------------|--------------------|
| Manufacturer | Model No. | Attenuation (dB) | | |
| | | 1.8-29.7 MHz (HAM) | 26.9-27.5 MHz (CB) | 54-216 MHz (TV) |
| | | LOWER - BETTER | LOWER - BETTER | HIGHER - BETTER |
| Low-Pass Filters | | | | |
| Barker & Williamson Cornell | 425 | 0.3 | 0.3 | 56 |
| Dubilier | CBTVI-1 | 1 | 0.8 | 26 |
| Heath | HDP-3700 | 0.4 | 0.4 | 59 |
| J.W. Miller Microwave Filter Co. | C-514-T Interfilter | 0.5 0.2 | 0.5 0.2 | 77 70 |
| R.L. Drake | TV-3300-LP | 0.4 | 0.4 | 76 |
| R.L. Drake | TV-42-LP | 0.5 | 0.5 | 73 |
| Wm. M. Nye Co. | 250-0020-001 | 0.3 | 0.3 | 59 |
| High-pass Filters | | Higher - Better | Higher - Better | Lower - Better |
| † Archer | 15-580 | 73 | 74 | 2.5 |
| † Blonder | | | | |
| † Tongue | FR-CB-75 | 17 | 30 | 1 |
| † Channel Master | 7203 | 40 | 47 | 1.1 |
| † J.W. Miller | C-513-2 | 62 | 63 | 0.5 |
| † Marine Technology | EMITV75 | 68 | 68 | 0.6 |
| † R.L. Drake | TV-75-HP | 64 | 65 | 1 |

| | | | | |
|----------------------|--------------------|-----|-----|--------|
| † R.L. Drake | TV-75-HP | 70 | 74 | 2.2 |
| † RMS Electronics | CA-2700 | 32 | 33 | 0.6 |
| † Winegard | HP 2700 | 35 | 37 | 0.4 |
| †† Archer | 15-851 | 39 | 44 | 2.0 |
| †† Antseo | MT-11CB | 22 | 24 | 3.1* |
| †† Caltronics | CB/TV Noise Filter | 0.9 | 0.9 | 0.7 |
| †† Channel | | | | |
| †† Master | 0211 | 16 | 18 | 0.6** |
| †† Boulder Tongue | FR-CB-300 | 21 | 35 | 2 |
| †† J.W. Miller | C-513-T1 | 69 | 69 | 3.9*** |
| †† J.W. Miller | C-513-T3 | 62 | 62 | 2.3 |
| †† J.W. Miller | C-510-T | 22 | 23 | 1.4 |
| †† Marine Technology | EMITV 300 | 35 | 37 | 8.0 |
| †† R.L. Drake | TV-300-HP | 39 | 38 | 1.3 |
| †† Vanco | TV-1 | 12 | 14 | 1 |
| †† Vecor | 922 | 24 | 26 | 1.3 |
| †† Workman | TV-5 | 14 | 16 | 0.6 |

† for coax

†† for twin-lead

NOTES: All attenuation figures are worst case for the indicated frequency ranges.

*Includes losses in test setup. This filter has rejection of 6-m ham frequencies.

**This filter has rejection of FM broadcast and 2-m ham frequencies.

***Includes losses in test setup.

| Power-line Filters | | Higher = Better | Higher = Better |
|--------------------|-------------|--------------------|--------------------|
| Archer | 15-1110 | 8 | — |
| Cornell | | | |
| Dubilier | CBAPF | 14 | 29 |
| Cornell | | | |
| Dubilier | NF 10286-1 | 20 | 21 |
| Cornell | | | |
| Dubilier | NF 1A 364-3 | 45 | 45 |
| J.W. Miller | 7811 | 8 | 8 |
| J.W. Miller | C-508-L | 33 | — |
| J.W. Miller | C-509-L | 37 | — |
| J.W. Miller | C-517-L1 | 27 | — |

| | | | |
|----------------------|----------|---|----|
| Marine Technology | EMI-120V | 8 | 32 |
|----------------------|----------|---|----|

Miscellaneous Filters

| | | |
|-------------|---------|---|
| J.W. Miller | C-506-R | RF choke for use in stereo speaker leads. |
| J.W. Miller | C-505-R | RF Choke for use at input of audio amplifiers |
| Winegard | T-FM7 | FM band rejection filter for 75 ohm lines. |
| Winegard | T-FM3 | FM band rejection filter for 300 ohm lines. |
| Winegard | TR3-2FM | Trap to notch out undesired signals in 54-216 Mhz range in 300 ohm lines. |
| Winegard | FT-760 | FM band tunable trap for 75 ohm lines. |

CHAPTER 9

TECHNICAL INFORMATION FOR SERVICE TECHNICIANS

THIS SECTION OF THE HANDBOOK IS INTENDED FOR USE BY TV AND RADIO SERVICE TECHNICIANS. IT IS NOT INTENDED FOR USE BY THE GENERAL PUBLIC. TO AVOID ELECTRIC SHOCKS, ALL MODIFICATIONS TO ELECTRICAL OR ELECTRONIC EQUIPMENT SHOULD BE PERFORMED BY QUALIFIED SERVICE TECHNICIANS.

This chapter contains three sections. Section one involves radio transmitter modifications. Section two provides information about modifying televisions. Section three provides information about how to resolve FM, electrical and audio interference problems.

It would be helpful if the person you are assisting obtains the cooperation of the transmitter operator or complainant involved. This cooperation will enable you to determine if your modifications are effective.

SECTION ONE

RADIO TRANSMITTER MODIFICATIONS

If you are trying to modify a radio transmitter that is causing interference to television reception, you should determine the following:

- 1 Is the transmitter properly grounded? The transmitter should be connected to a good earth ground with a large diameter wire or copper strap. This will help reduce interference and the hazard of electrical shock or lightning damage. Wide straps have much lower impedance to RF energy than round wires. A single piece of wire connected to a ground rod may be an open circuit if its length is resonant at the radio frequency.
- 2 Are harmonics or spurious emissions present? If so, you should attempt to determine whether they are radiating from the:
 - antenna
 - transmission line
 - transmitter cabinet
 - power cord
 - microphone cord
 - other equipment attached to the transmitter, or
 - any combination of the above

- a First, place a low-pass filter in the antenna feedline, or in the coaxial link to the antenna tuner. If you are servicing an amateur transmitter with a linear amplifier attached, install a filter between the transmitter (exciter) and the amplifier input. Install a second filter at the output of the amplifier. **LINEAR AMPLIFIERS CANNOT LEGALLY BE USED IN THE CB RADIO SERVICE.**
 - b Next, add a line filter to the power cord in the AC outlet.
 - c Then, check for cable or cord radiation using the following: Move, twist, or loop the suspected cable or cord, or place your hand at various places along the cord. Observe (or have someone else observe) the level of TV interference while you are doing this. There will probably be substantial changes in the interference level if the problem is caused by cable or cord radiation.
 - d Make sure that there are no significant RF energy levels measurable on the exterior of the coaxial cable transmission line. High RF levels may be caused by a poorly matched antenna system or a break in the antenna's transmission line.
 - e Make sure that all leads entering the transmitter cabinet are adequately filtered. Any transmitter with unfiltered leads or connectors is likely to cause interference. Leads and connectors should be filtered at the point that they enter the equipment chassis or metal cabinet.
 - f Signal leakage problems may originate from several different sources. Each leakage problem must be corrected individually. You may not notice any overall improvement until all of the sources have been corrected.
 - g You may also have to reposition the transmitter antenna away from the TV antenna.
- 3 If TV channel 2 is most severely affected, install an external low-pass filter. If one has already been installed, try wrapping three or four turns of the transmitter power cord near the chassis through a ferrite toroidal core. The core from a discarded TV deflection yoke or flyback transformer can be used. Cores are also available commercially.

SECTION TWO

RESOLVING INTERFERENCE AT THE TELEVISION RECEIVER

Review the "Information to TV Owner" section on page 6 of this handbook. Determine what steps your customer has taken to help resolve the interference problem. If they have not tried any of the recommended solutions, review the section mentioned above and try the recommended solutions. Then:

- 1 Prior to working on the TV receiver, try to determine the source of the interference and its frequency. If the interfering frequency is on or near the TV intermediate frequency (IF) frequency (between approximately 41 and 47 MHz), proceed directly to Step 7. For FM broadcast interference, proceed to Step 10. For 50 to 54 MHz amateur interference, proceed to Step 8. If the interference is not on any of the preceding frequencies, try these next three steps:
 - a Disconnect the antenna lead from the TV receiver. If the receiver responds to the interfering signal while the antenna is disconnected, install an AC power line RF filter. This will help determine if the RF from the transmitter is entering the television via the power cord.
 - b Install a line filter which you may either purchase or construct by following the schematic in Figure 1.

AC Power Wiring Filtering

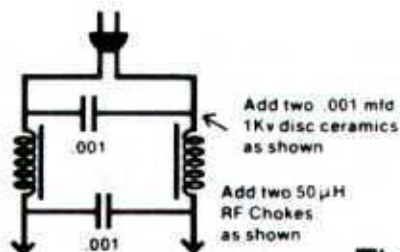


Fig. 1

- c Try wrapping three or four turns of the TV set's power cord near the chassis through a ferrite toroidal core. The core from a discarded TV deflection yoke or flyback transformer can be used. Cores are also available commercially.
- 2 The receiver may still continue to respond to the interfering signal, even with the power line filter installed and the receiving antenna disconnected. When this happens, the set itself is receiving the interfering signal directly through its internal components. Look inside the set for:
 - a Evidence of repair work that was performed without replacing the set's metal shields or housings. Reinstall them as necessary.
 - b Tuner defects. Ascertain that the tuner:
 - is properly installed
 - has its shielding intact
 - has coaxial cables intact.

If necessary, repair or replace the tuner.
- 3 If you do not find any defects but the problem persists, try installing a high-pass filter (or a trap tuned to the interfering signal) directly at the tuner input terminals.
- 4 See page 40 of this handbook for more information about filters. Use high pass filters with the proper cutoff frequency. If a proper high pass filter does not provide sufficient attenuation, then install two filters in series.
- 5 Reconnect the antenna. If a high-pass filter has already been installed, and the interference continues, replace the 300 ohm twin-lead wire with shielded cable. Be sure to install balun transformers wherever needed.
- 6 If the interference continues, loop about 3 or 4 turns of the coaxial cable near the chassis through a ferrite toroidal core. The core from a discarded TV deflection yoke or flyback transformer can be used. Cores are also available commercially. An additional ferrite core, around which the power cord is looped, may also be helpful.

- 7 Determine whether the interference is affecting all TV channels. If so, it may be caused by the interfering signal being on the same frequency as the receiver's intermediate frequency (IF). Receiver IF interference only occurs when the interfering signal lies between 41-47 MHz. The most effective way to overcome the IF interference problem is to increase the TV signal level relative to the interfering signal. This is accomplished by:
 - a Installation of traps and filters to eliminate preamplifier and receiver overloading by the unwanted signals, and
 - b Using high gain antennas and signal preamplifiers to raise the level of TV signals at the receiver's antenna terminals enough to swamp out the interference. This technique does not eliminate the interference but may reduce it to a level which is not objectionable or not noticeable.
- 8 Another type of interference from a nearby radio transmitter is unique to the amateur 6 meter band, 50-54 MHz. This band is immediately adjacent to TV Channel 2. To resolve, install a high-pass filter with a cutoff frequency at 54 MHz. Two filters may be necessary. Try connecting them right at the tuner input terminals. If you install them elsewhere use shielded, short leads. You might also try repositioning the TV antenna farther away from the transmitter antenna.
- 9 If the interference continues after these measures, you must refer to the receiver service data. Check each stage for the undesired response. Long leads to speakers and audio volume or other controls are likely to pick up unwanted signals. Bypassing with capacitors to the chassis and the shielding of long leads often eliminates such signals.
- 10 There are several different ways FM Broadcast stations may interfere with television reception:
 - a An educational FM station operating below 90 MHz may interfere only with TV Channel 6. (Refer to page 13.)
 - b An FM transmitter in the immediate vicinity may cause blanketing of the TV receiver. The TV reception may appear weak, with or without accompanying interference patterns.
 - c When a TV receiver is located near an FM transmitter, the internal TV radio frequency (RF) and mixer stages can function in ways that produce unwanted internal signals. This is often referred to as receiver generated harmonics.

- 11 The solutions to the above-described FM interference problems are:
- a FM interference to TV Channel 6 can be eliminated by installing a tunable FM rejection trap. Tuning of the trap is critical. Accurately tune it to the interfering FM station's frequency.
 - b Blanketing interference can be eliminated by installing an FM band rejection filter in the antenna line or installing a tunable FM trap.
 - c Receiver generated harmonics in the RF input or mixer stages can be identified by the following two methods:
 - i introduce a known attenuation in the antenna feedline. Measure whether the harmonic level in the receiver is reduced by more than the amount of attenuation inserted. If so, the harmonics are being generated by the receiver.
 - ii Use two TV receivers that are different makes. They should both be the same type – either color or black and white. A receiver generated harmonic is unlikely to appear at the same intensity in two different receivers.

To correct receiver generated harmonics, install an FM band rejection filter or a tunable trap (tuned to the interfering station's frequency.)

SECTION THREE

ELECTRICAL, FM AND AUDIO INTERFERENCE

RESOLVING ELECTRICAL INTERFERENCE

Before proceeding, read the information on page 11. If you have completed those steps, you should already know the source of the interference.

WARNING: Check local electrical codes to determine if the device may be modified, and whether it must be modified by a licensed electrician. Modifications that involve bypassing with capacitors should be completed with extreme care to prevent the capacitors from shorting out the AC line. ***AVOID WIRING THAT COULD CONDUCT THE FULL AC LINE VOLTAGE TO THE CASE OF THE DEVICE. LINE VOLTAGE ON THE EXTERIOR OF DEVICES CAN BE LETHAL.***

ELECTRIC DRILLS, SAWS, MIXERS OR HAIR DRYERS

Interference from electric drills and saws is usually brief. You probably should not modify them. Modifications may be difficult and time-consuming. If modifications are required, the following information may be of assistance.

- 1 Drills, saws, mixers, hair dryers and other devices that use a simple AC/DC motor usually cause interference. This interference results from arcing between the brushes and commutator. The interference is then transmitted through the power cord and radiated by the cord and associated building wiring circuits. Most motors are wired in series, with the field coils connected between each brush and the power line. Field coils help to isolate the sparking brushes from the power line. The following measures may be used to correct this type of interference.
 - a Solder a 0.001 mfd disc ceramic capacitor between each brush holder and the motor frame using the shortest possible connecting leads. Capacitors with a rating of 1,000 volts are preferable. Do not use capacitors with less than a 600 volt rating.

- b If additional attenuation is required, connect additional 0.001 mfd disc ceramic capacitors between each side of the power line and the motor frame. Place them as close as possible to the point where the power wires enter the motor enclosure.
- c Very short leads between the capacitor and motor frame are essential. If the motor is operated in a grounded metallic enclosure these recommended capacitors should reduce the interference to an almost inaudible level.

THERMOSTATS

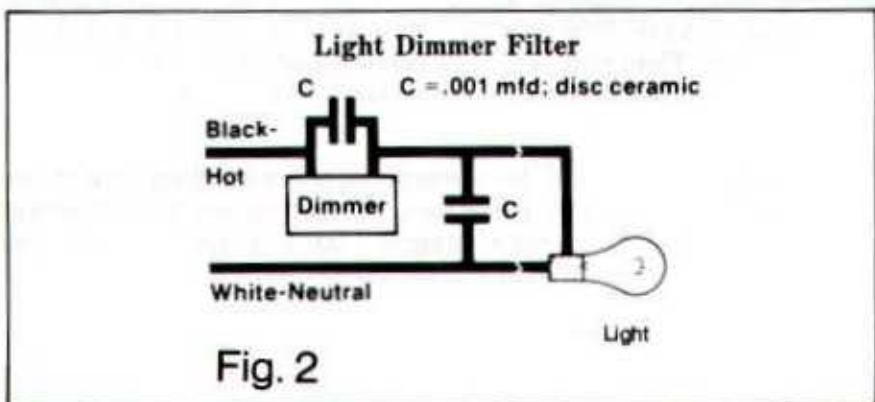
Sometimes thermostatically controlled devices such as electric blankets, fish tank heaters, and home heating/cooling units cause interference. This type of interference is caused by arcing at the contact points. Arcing results from either worn contacts or failure of the snap action thermostat element to exert enough pressure on the contacts to prevent arcing. To correct this type of interference:

- a Spray contact cleaner directly on the contacts if possible. This is a temporary measure.
- b Replace the thermostatic control unit.

DIMMER OR COMBINATION CONTROLS AND SWITCHES

Light dimmer controls or combination controls and switches that utilize SCR or triacs can produce interference. This is due to the very steep wave front produced by the switching at the SCR or triac. Light dimmer controls do not often cause television interference. However, they do cause strong AM broadcast interference which may be difficult to completely eliminate.

Bypassing in the manner shown in Figure 2 may be helpful.



ELECTRICAL INTERFERENCE CONDUCTED BY THE POWER LINE

To eliminate electrical interference conducted by the power line, install a power line filter at the interference source whenever possible. Power line filters are most effective when installed at the source of the interference rather than at the device receiving the interference. For best results, power line filters should be installed right at the interfering appliance with the shortest possible line cord. Otherwise, direct radiation from the line cord between the source and the filter will be troublesome, especially at VHF frequencies.

SUMMARY

Electrical interference is always best controlled by filtering, shielding and bypassing as close as possible to its source. When investigating electrical interference you should also keep in mind that the power distribution system can generate, transmit and radiate electrical interference. Such interference may appear similar to the type generated by defective electrical appliances. Power line interference is frequently caused by tree branches and foilage that comes in contact with high voltage lines, defective distribution transformers, circuit breakers, lightning arrestors, or power line insulators. Such interference cannot be resolved by the service technician. Report it to the power company. Sometimes the differentiation of appliance generated and power line generated electrical interference sources may be difficult. You may need to have power company service personnel and neighborhood residents cooperate to identify the source of the problem.

FM BROADCAST RECEIVER INTERFERENCE

- 1 FM receiver interference is not as common as TV interference. The narrower bandwidth of FM receivers coupled with their superior noise rejection capabilities makes them less susceptible to interference than TV receivers. However, when power line or other electrical interference is very strong, it may interfere with FM as well as TV receivers.
- 2 Portable FM receivers with self contained antennas may respond to strong signals on the image frequency, such as nearby aircraft. This is seldom a serious problem except near airports. When it is, an outside antenna will help to resolve the problem. It may also be necessary to install a tunable filter (tuned to the interfering signal) in the antenna line.

- 3 CB and amateur harmonics may occasionally interfere with certain stations. Harmonics can be eliminated only at the offending transmitter.
- 4 Blanketing in the vicinity of a high power FM broadcast transmitter may be troublesome and difficult to completely correct. Blanketing may cause low receiver sensitivity or limit reception to the one strong local station at all points on the dial. It may be necessary to resolve the problem by installing an external antenna and a rejection filter tuned to the local station's frequency. This may not be entirely satisfactory since the filter may also block other stations in the part of the broadcast band near the strong local station.

AUDIO INTERFERENCE

Audio interference is defined as the reception of unwanted radio frequency (RF) signals or energy by an audio amplifier or transducer. This undesirable reception occurs when the RF energy is rectified by any of the components or conditions listed below:

- diodes
- transistors and varistors
- integrated circuits
- electron tubes
- poor solder joints or
- faulty ground connections

The detected signal is then picked up by the audio device and processed along with the desired signal.

The effects of audio interference vary according to the type of modulation employed by the interfering transmitter as follows:

- AM** The voice or music will be heard as any normal audio signal applied to the amplifier. The interfering signal may be extremely loud and slightly distorted.
- SSB** On single sideband, the voices will sound garbled and unintelligible.
- FM** Usually no sound will be heard but the amplifier's volume will decrease when the interfering transmitter is on. Clicks may be heard when a two-way transmitter is keyed and unkeyed.
- TV** The audio rectification of a TV signal will make a loud buzzing noise. The buzz will change as the TV picture changes.

- 1 To resolve audio interference, you should first attempt to locate where the rectification is taking place in the audio chain. First, determine if adjusting the volume control effects the level of interference.
 - a If the volume of the interfering signal changes when the volume control is moved, then the rectification is taking place **BEFORE** the volume control.
 - b If moving the volume control has minimal or no effect, the rectification is occurring **AFTER** the volume control.
- 2 Proceed to the appropriate set of solutions outlined below. If these solutions do not resolve the audio interference problem, contact the manufacturer for further assistance.

- a *Rectification BEFORE the volume control.* The keys to resolving audio rectification are proper grounding, connections, shielding, and RF bypassing. A "process of elimination" approach must often be used. A multiple input audio amplifier may be susceptible to audio interference on one or several of the available inputs. Low level, high impedance inputs, such as those for turntable cartridges, tape heads and microphones are most susceptible. For example, the only input affected may be from a turntable. When this occurs, disconnect the turntable cartridge from the amplifier's input terminal. If the interference stops, the RF is sensed by either the cartridge or the wire between the cartridge and the amplifier.

If it is due to broken or defective shielding on the wire, replace or repair the wire. If the RF is picked up directly at the cartridge, install a small RF choke and bypass capacitor. Be careful to not unbalance the pick-up arm or not use components that will change the frequency response of the system.

- b *Rectification AFTER the volume control.* Adjusting the volume control usually will not affect the interference level. When this happens, the RF signal is entering the circuit between the volume control and the amplifier output terminals. Begin to correct this problem by checking for unshielded long leads to a volume control. The RF signal must be blocked by shielding or filtering at the point of entry. It is important that the components selected for filtering do not alter the amplifier's audio response.

- c *Grounding.* Whether separate equipment grounding is appropriate depends upon the type of equipment involved. Most equipment which is not equipped with a three wire power cord should have its chassis and cabinet grounded with a separate ground connection. It is generally safest to connect all grounds to a good earth ground, such as a metallic water pipe or a driven 8 foot ground rod.
- d A ground which is effective for AC power may not be a good ground for higher radio frequencies. A ground wire could be long enough to act as a receiving antenna. Good RF grounding can generally be achieved by use of low inductance conductors (copper strap), bonding various equipments to each other and/or a good earth ground.

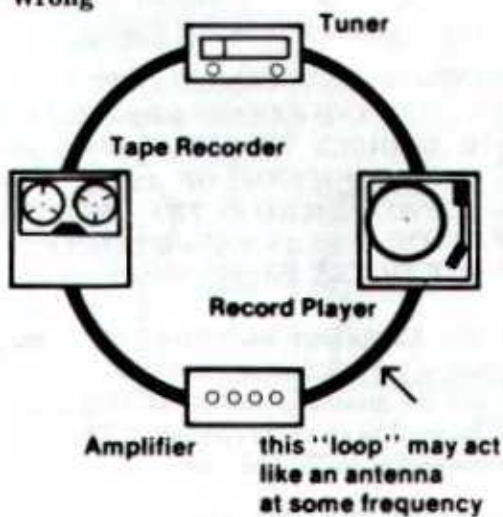
CAUTION: *BEFORE GROUNDING, MAKE CERTAIN THAT THE EQUIPMENT DOES NOT HAVE ONE SIDE OF ITS POWER LINE CONNECTED TO ITS CHASSIS. IF IT DOES, GROUNDING THE CHASSIS WOULD BE HAZARDOUS AND COULD RESULT IN OVER-LOADED ELECTRICAL CIRCUITS.*

- e Some equipment may be fitted with a three conductor power cord. This type of equipment should have the grounding conductor of its power cord internally connected to its chassis and cabinet (if the cabinet is metal). This type of equipment may not need to be grounded separately. Attaching a separate ground to such equipment might result in the formation of a ground loop. A ground loop may aggravate any interference. Ground loops are circuits that have zero DC potential between points but may have enough AC or RF potential between points to allow AC or RF currents to flow. When devising grounding and bonding connection arrangements take care to avoid creating ground loops.

Figure 3 shows the proper and improper methods of grounding components.

Grounding Circuits

Wrong



Right

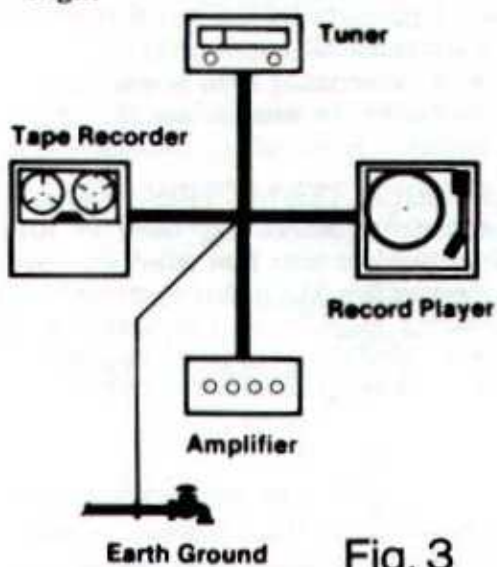


Fig. 3

- f Before actually connecting a ground to any equipment, measure the voltage between the chassis and ground. Take measurements with the equipment on and off. If any appreciable voltage is found between the chassis to be grounded and the ground wire, determine the voltage source before making the connection.

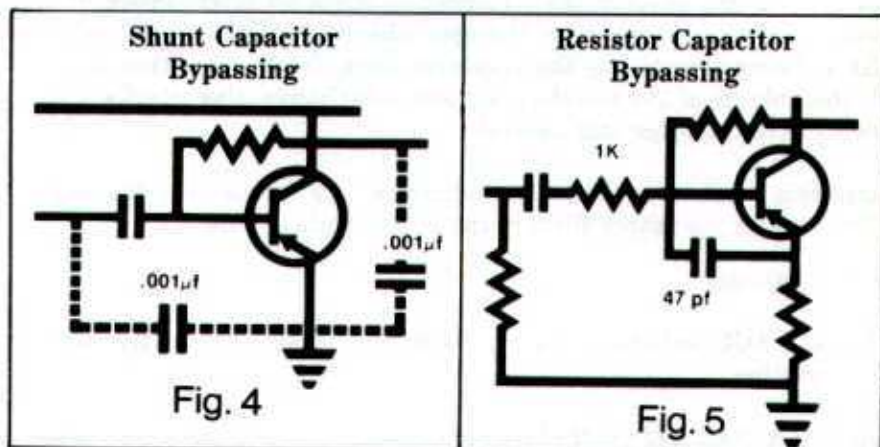
CAUTION: *SOME EQUIPMENT CHASSIS ARE AT LINE VOLTAGE POTENTIAL AND CANNOT BE CONNECTED DIRECTLY TO GROUND. IN THESE CIRCUMSTANCES, A CERAMIC CAPACITOR OF 0.001 MFD AT 1 KV SHOULD BE PLACED IN THE GROUND LEAD. THIS CAPACITOR ACTS AS A SHORT TO RF BUT AN OPEN CIRCUIT TO THE 60 HZ POWER LINE.*

- g **SHIELDING.** All speaker leads connected to audio equipment should consist of two conductor wires with a separate shield. The shield should be grounded **ONLY** at the amplifier end, and should not be used as an audio conductor. The two internal wires should be connected to the speaker.
- h **POWER LINE FILTER.** RF may enter the audio device through the AC power line. There are several commercially available brands of power line filters. A power line filter located at a wall outlet will not prevent RF pickup by the line cord between the filter and the amplifier. A power line filter such as the one shown in Figure 1 on page 43 may be constructed when necessary. Place the filter as close as possible to the point where the AC cord enters the amplifier.
- i **POOR ELECTRICAL CONNECTIONS.** Poor solder connections or old electrolytic capacitors may cause an audio rectification problem. If all previous tests have failed, try resoldering all connections in the amplifier. Also replace electrolytic capacitors. Before actually replacing an electrolytic capacitor, try paralleling the original capacitor with a properly functioning capacitor of like value. This should reveal any bad capacitor.

TRANSISTOR EQUIPMENT

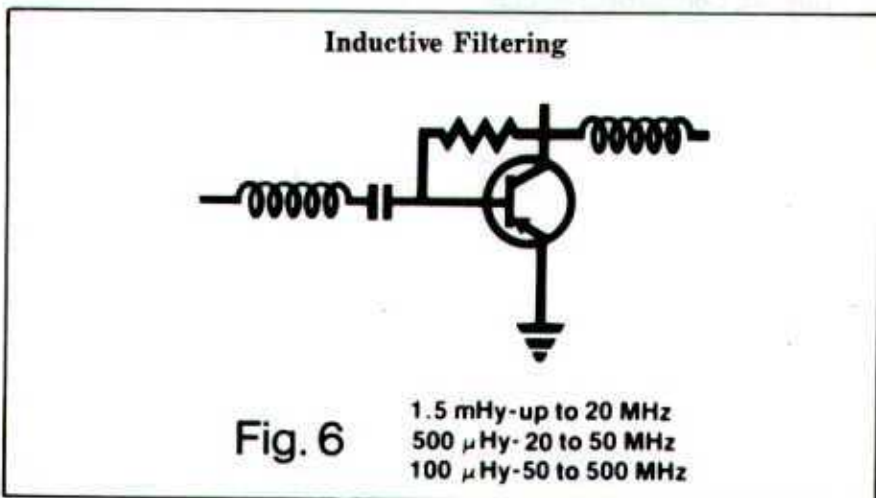
RF detection usually occurs in the input circuits of amplifiers. It can usually be eliminated by the use of a shunt capacitor, as shown in Figure 4. A resistor capacitor combination may also be used as shown in Figure 5. Make sure that the filter network you use does not effect the transistor biasing or the amplifier's frequency response.

Capacitor values are not critical. However, ceramic capacitors are best. Paper or plastic capacitors are not as effective for bypassing RF due to internal and lead inductance.



Leads should be kept as short as possible especially with bypass capacitors. The lead length determines the resonant frequency, and therefore, the effectiveness of bypassing. Bypassing directly to the emitter is often more effective.

Connections to the chassis or other grounds may have more induced RF than the signal lead. If the interference increases, a ground loop has been created. When this happens, try the inductor method. See Figure 6.



ELECTRONIC ORGANS

Organ circuits can be isolated by using the swell pedal, band box volume, or tabs (draw bars). By adjusting each of these controls individually, you can observe their respective effect on interference. If the volume of the interference changes when a control is adjusted, the RF is being detected by the amplifier somewhere before that control. If the volume of the interference does not change, the interference is being detected after that control.

Use this method to determine where the RF is entering the organ. Then insert the proper filter in the appropriate circuit.

TELEPHONES

See the FCC bulletin entitled, "Telephone Interference" for further information.

ADDITIONAL INFORMATION for service technicians about resolving interference is available from local libraries and technical bookstores. Handbooks are also available from:

Electronic Industries Association (EIA)
2001 Pennsylvania Avenue, N.W.
Washington, D.C. 20006

American Radio Relay League (ARRL)
225 Main Street
Newington, Connecticut 06111



Federal Communications Commission
Washington, D.C. 20554