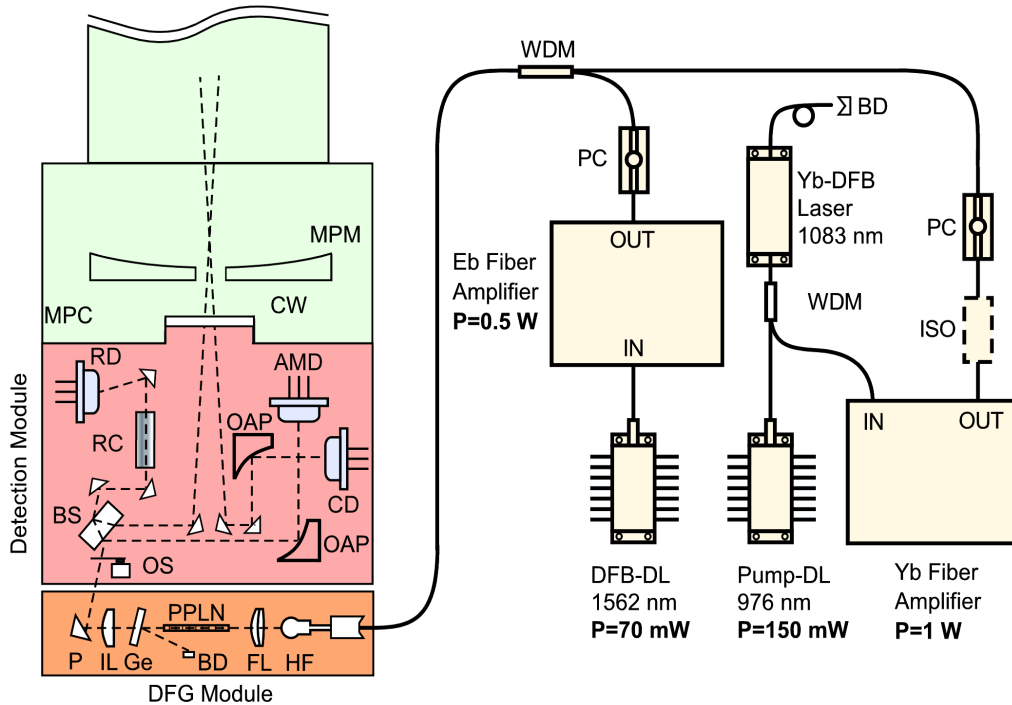


Measurements of CH₂O By Difference Frequency Generation Absorption Spectroscopy (DFGAS)



LODS (2 σ)

INST. LOCATION	1-SEC	1-MIN	2-MIN
WP -3, TexAQS -2006		232 pptv	42 pptv
Lab-2007	186 pptv	24 pptv	16 pptv

- (a) Operational Requirements
 - Aircraft speed < 440 knots at P alt > 36 kft
 - Cryogen free
- (b) Additional Information
 - Ambient measurement duty cycle $\geq 70\%$ for every 1 minute period.