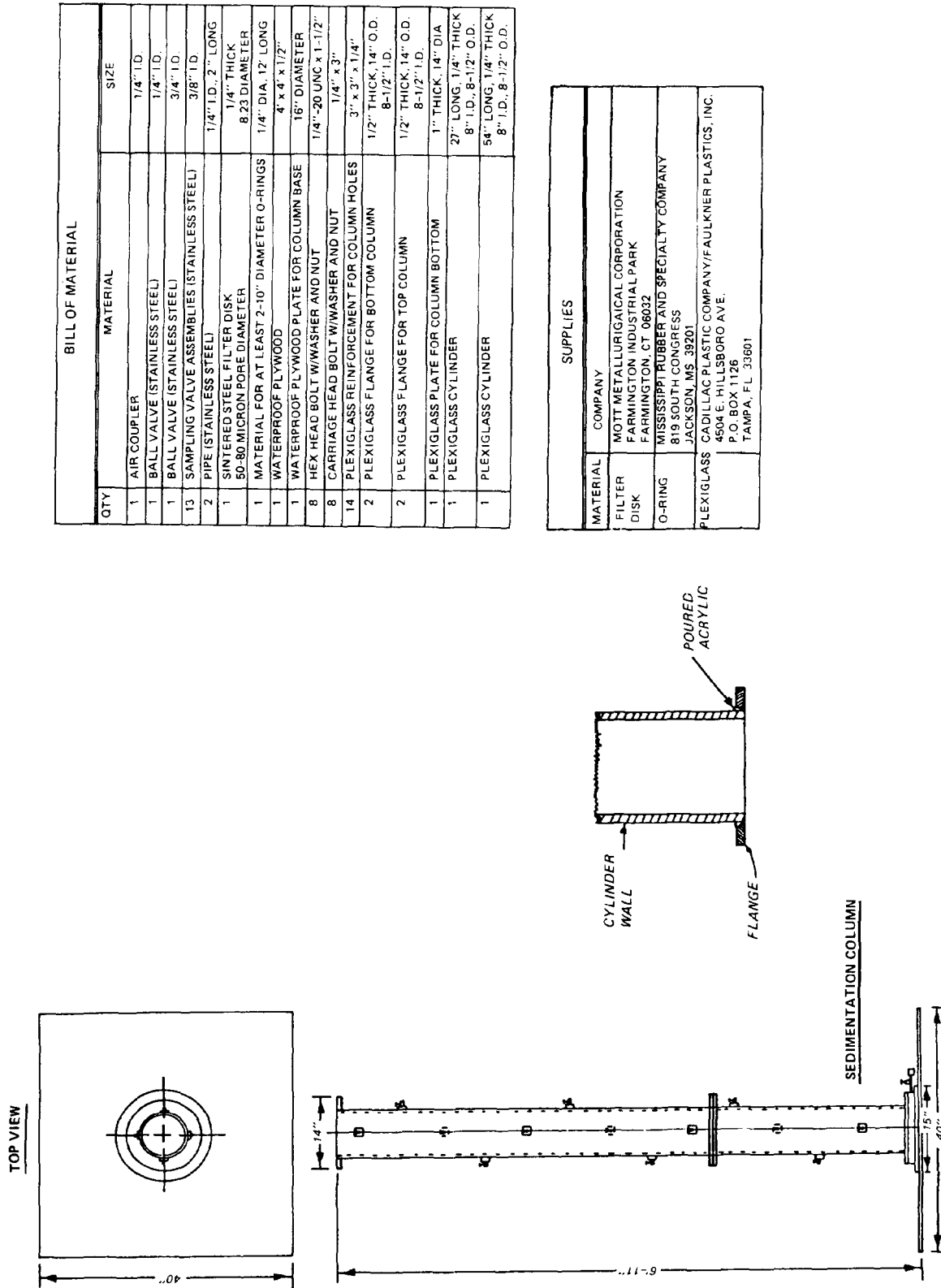


APPENDIX B

PLANS AND SPECIFICATIONS FOR SETTLING COLUMN



BILL OF MATERIAL		
QTY	MATERIAL	SIZE
1	AIR COUPLER	1/4" I.D.
1	BALL VALVE (STAINLESS STEEL)	1/4" I.D.
1	BALL VALVE (STAINLESS STEEL)	3/4" I.D.
13	SAMPLING VALVE ASSEMBLIES (STAINLESS STEEL)	3/8" I.D.
2	PIPE (STAINLESS STEEL)	1/4" I.D., 2" LONG
1	SINTERED STEEL FILTER DISK	1/4" THICK
	50-80 MICRON PORE DIAMETER	8.23 DIAMETER
1	MATERIAL FOR AT LEAST 2-10" DIAMETER O-RINGS	1/4" DIA., 12" LONG
1	WATERPROOF PLYWOOD	4' x 4' x 1/2"
1	WATERPROOF PLYWOOD PLATE FOR COLUMN BASE	16" DIAMETER
8	HEX HEAD BOLT W/WASHER AND NUT	1/4"-20 UNC x 1-1/2"
8	CARRIAGE HEAD BOLT W/WASHER AND NUT	1/4" x 3"
14	PLEXIGLASS REINFORCEMENT FOR COLUMN HOLES	3" x 3" x 1/4"
2	PLEXIGLASS FLANGE FOR BOTTOM COLUMN	1/2" THICK, 14" O.D., 8-1/2" I.D.
2	PLEXIGLASS FLANGE FOR TOP COLUMN	1/2" THICK, 14" O.D., 8-1/2" I.D.
1	PLEXIGLASS PLATE FOR COLUMN BOTTOM	1" THICK, 14" DIA
1	PLEXIGLASS CYLINDER	27" LONG, 1/4" THICK
		8" I.D., 8-1/2" O.D.
1	PLEXIGLASS CYLINDER	54" LONG, 1/4" THICK
		8" I.D., 8-1/2" O.D.

SUPPLIES	
MATERIAL	COMPANY
FILTER DISK	MOTT METALLURIGICAL CORPORATION FARMINGTON INDUSTRIAL PARK FARMINGTON, CT 06032
O-RING	MISSISSIPPI RUBBER AND SPECIALTY COMPANY 819 SOUTH CONGRESS JACKSON, MS 39201
PLEXIGLASS	CADILLAC PLASTIC COMPANY/FAULKNER PLASTICS, INC. 4504 E. HILLSBORO AVE. P.O. BOX 1126 TAMPA, FL 33601

Figure B-1. Specifications for settling column and plan for sedimentation column

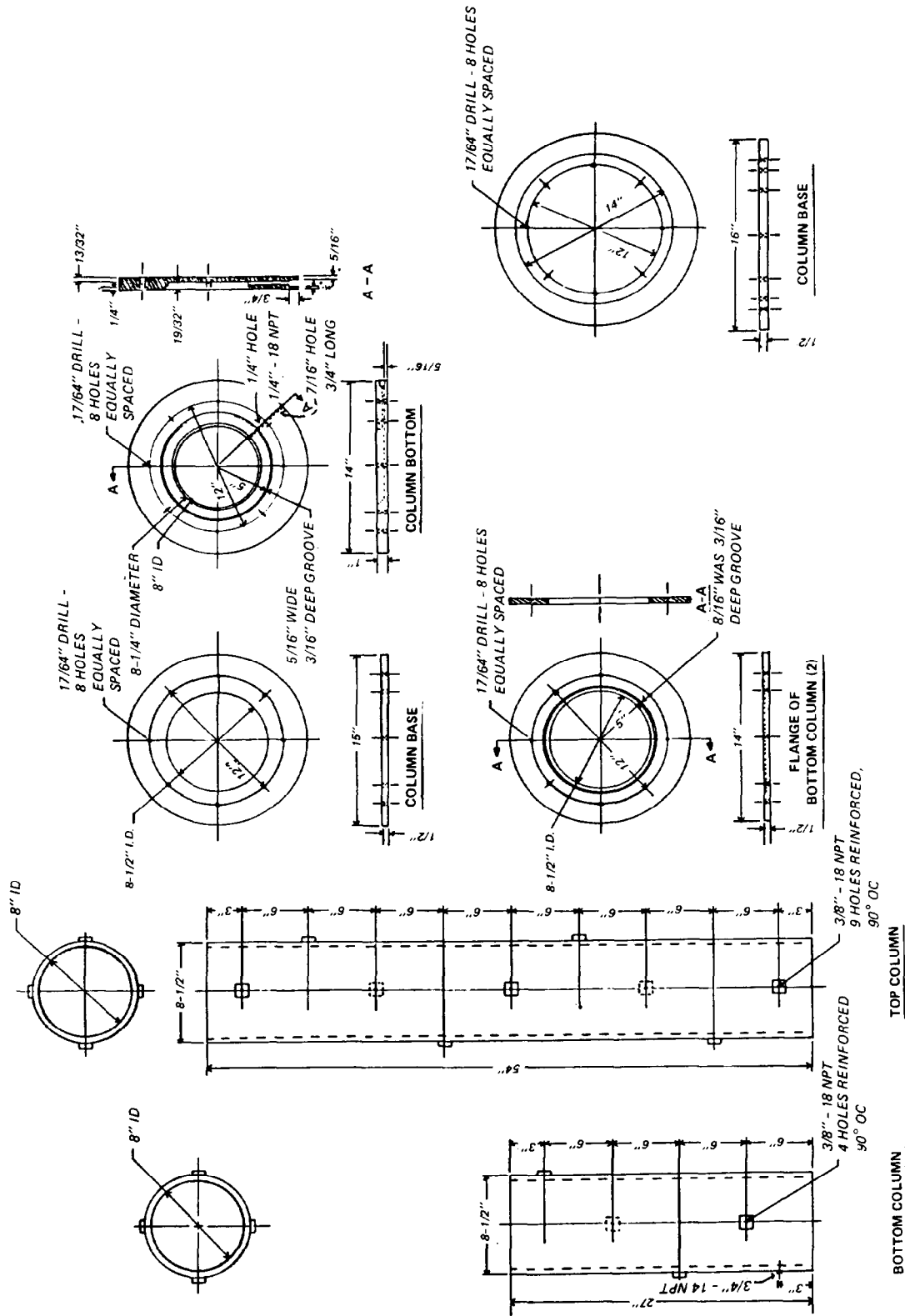


Figure B-2. Plans for top and bottom columns