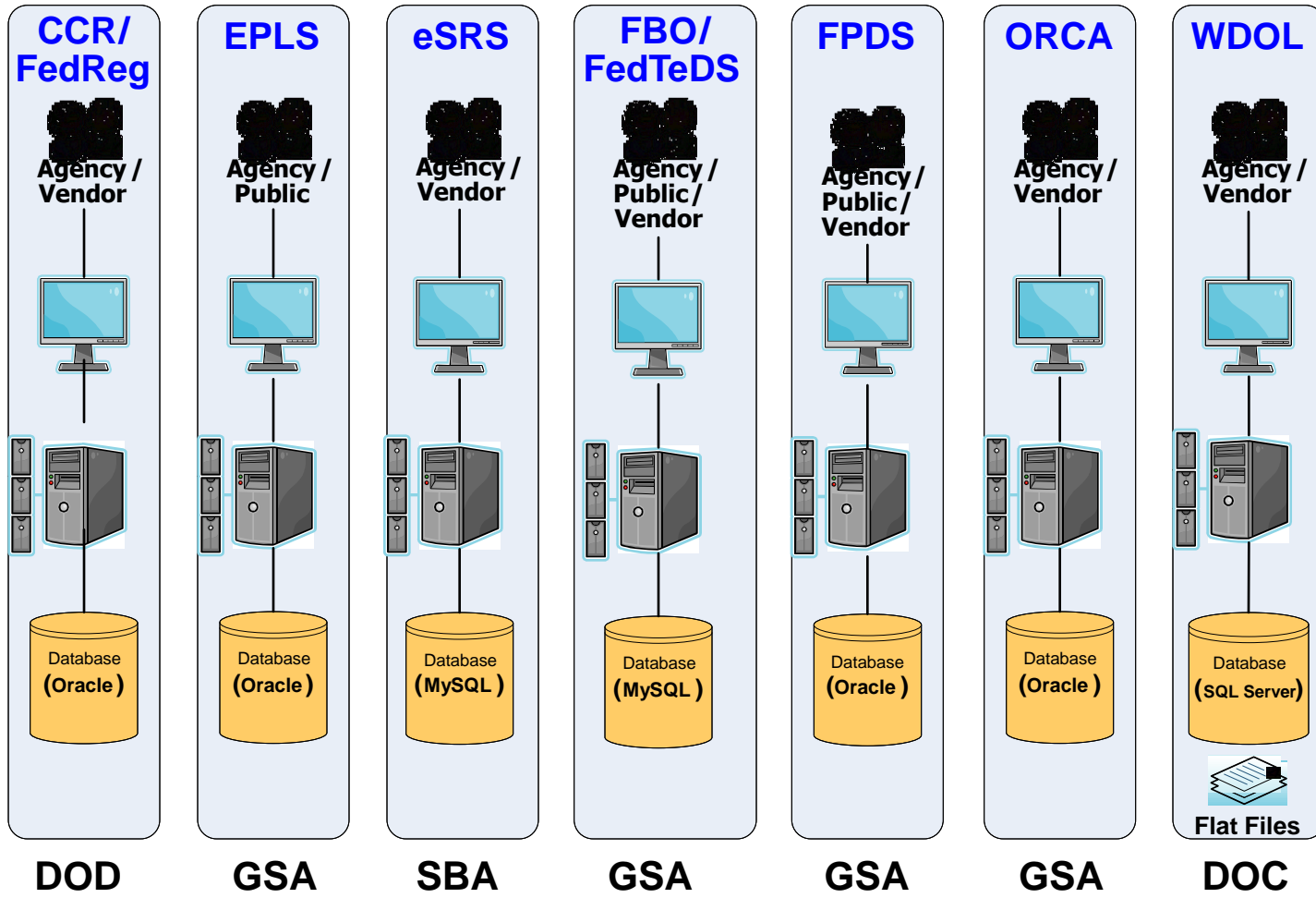
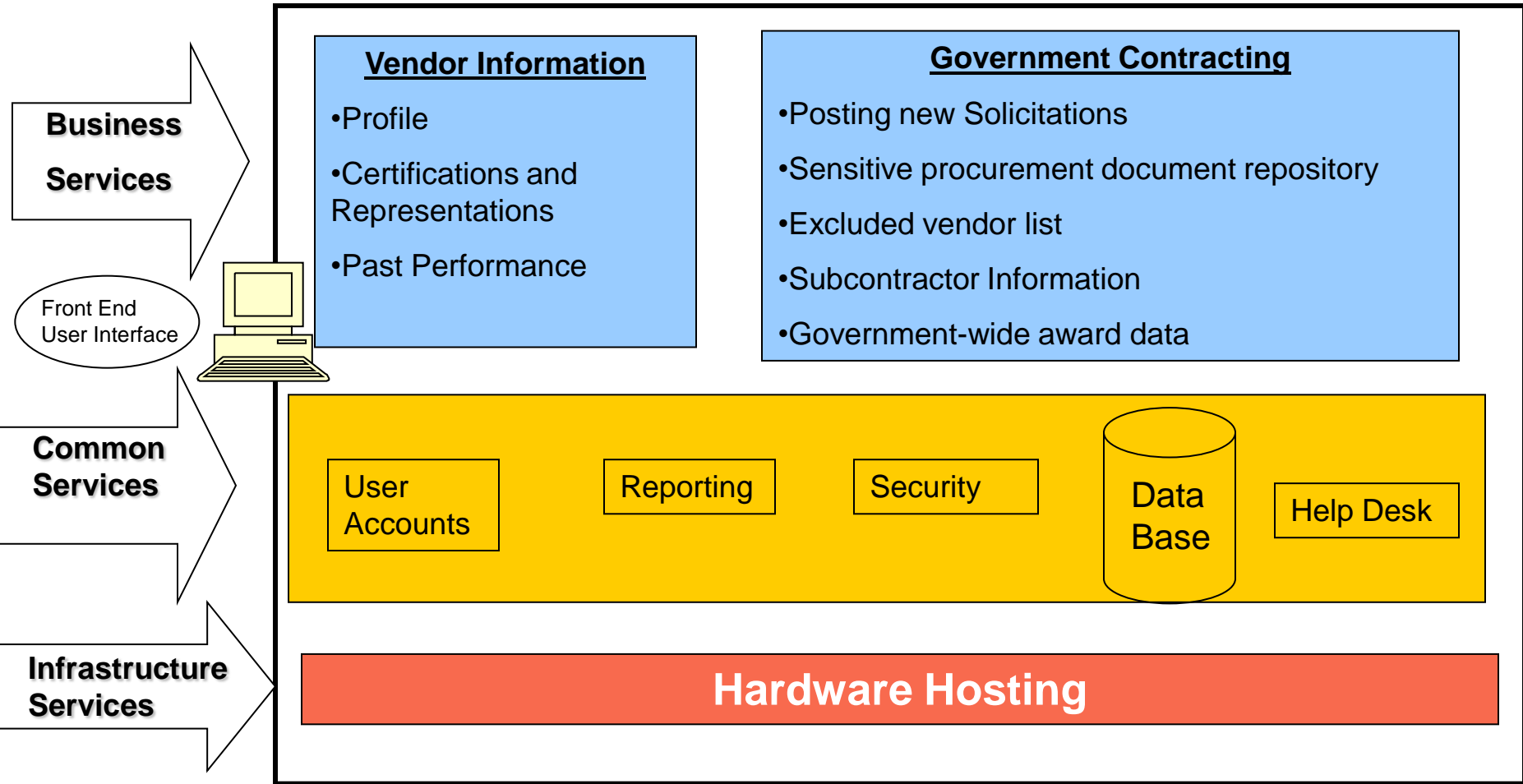


No shared services:

- ✓ Different Databases,
- ✓ Different Helpdesks
- ✓ Different Customers, (CCR - Industry inputs, FBO - The Contracting Officer inputs)
- ✓ Stovepipe services

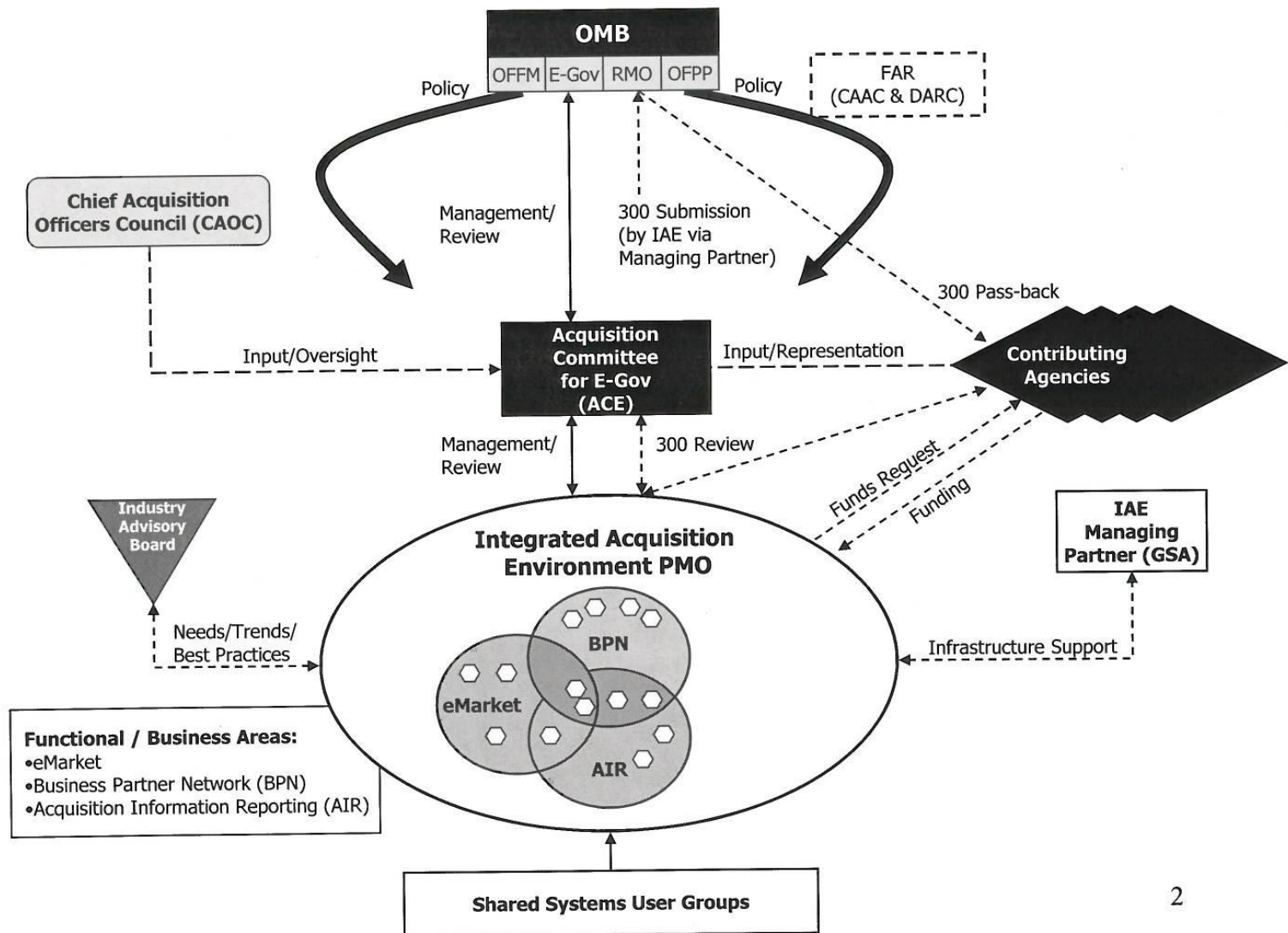


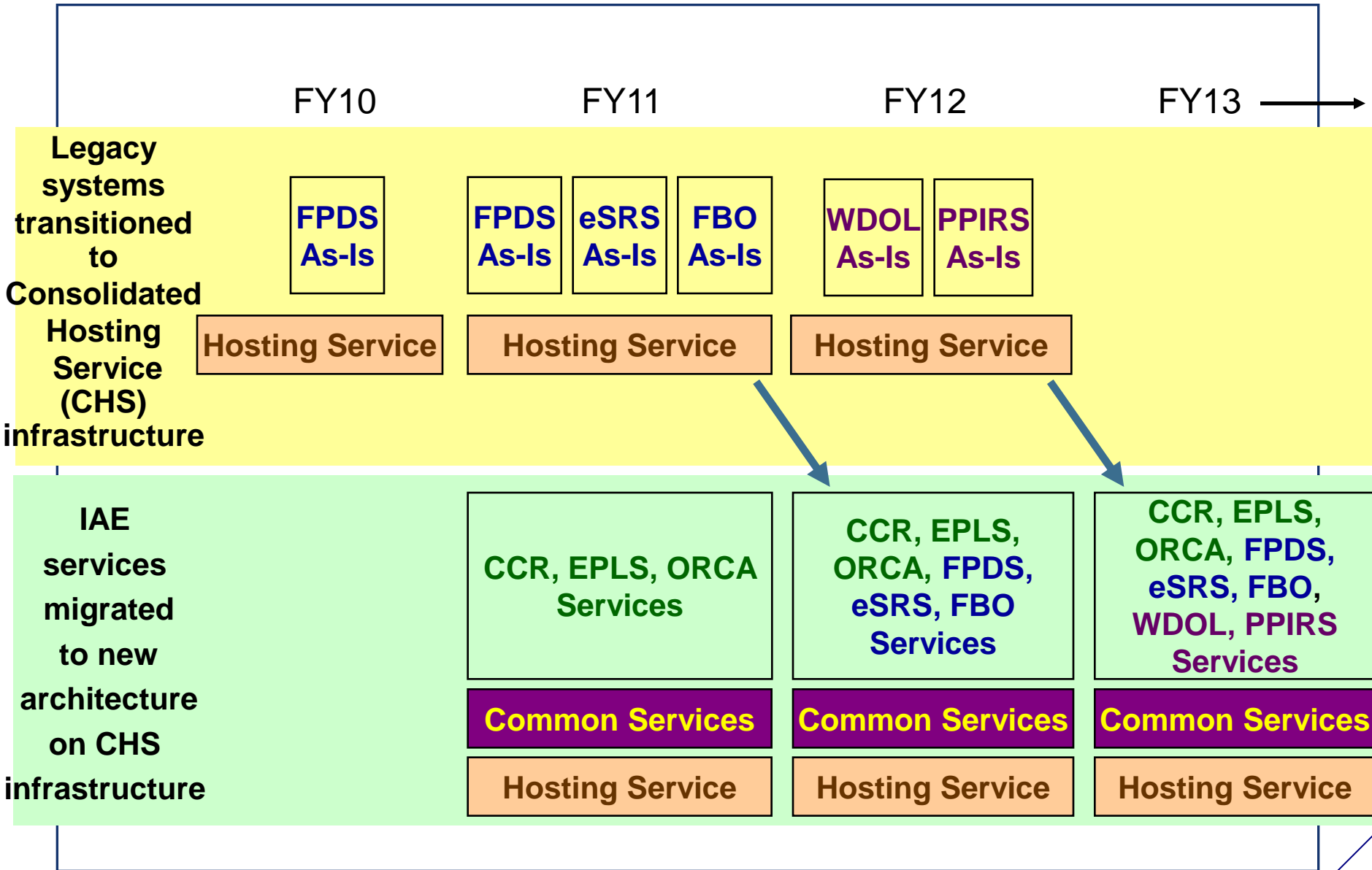
Funding- funded by the 24 CFO Act agencies based upon formula (contract award transactions & dollar volume)



Collection of acquisition business services sharing common functions and infrastructure

Integrated Acquisition Environment Governance Structure





IAE Conceptual Transition / Migration Schedule (Calendar Year)

2009 2010 2011 2012 2013 2014 2015 2016 2017

J F M A M J J A S O N D J F M A M J J A S O N D J F M A M J J A S O N D

