



7800 Highway 20 West  
 Huntsville, Alabama 35806  
 Phone (256) 837-4411  
 Fax (256) 721-0144  
[www.wyle.com](http://www.wyle.com)

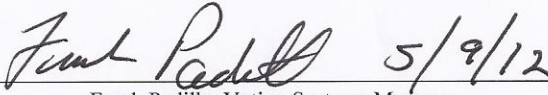
Job No. T59087.01  
 Certification Test Plan  
 No. T59087.01 REV A  
 May 9, 2012

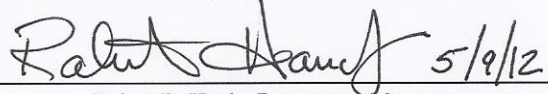
## CERTIFICATION TEST PLAN

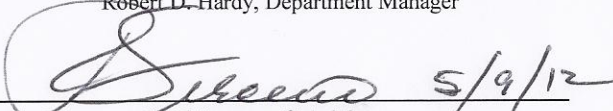
Prepared for:

<b>Manufacturer Name</b>	ES&S
<b>Manufacturer System</b>	EVS 5.0.0.0
<b>EAC Application No.</b>	ESS1105
<b>Manufacturer Address</b>	11208 John Galt Boulevard Omaha, NE 68137

  
 Michael L. Walker, Test Plan Preparer

  
 Frank Padilla, Voting Systems Manager

  
 Robert D. Hardy, Department Manager

  
 Raul Terceno, Q.A. Manager




NVLAP LAB CODE 200771-0

COPYRIGHT BY WYLE. THE RIGHT TO REPRODUCE, COPY, EXHIBIT, OR OTHERWISE UTILIZE ANY OF THE MATERIAL CONTAINED HEREIN WITHOUT THE EXPRESS PRIOR PERMISSION OF WYLE IS PROHIBITED. THE ACCEPTANCE OF A PURCHASE ORDER IN CONNECTION WITH THE MATERIAL CONTAINED HEREIN SHALL BE EQUIVALENT TO EXPRESS PRIOR PERMISSION. WYLE SHALL HAVE NO LIABILITY FOR DAMAGES OF ANY KIND TO PERSON OR PROPERTY, INCLUDING SPECIAL CONSEQUENTIAL DAMAGES, RESULTING FROM WYLE'S PROVIDING THE SERVICES COVERED BY THIS REPORT.

U.S. National Accreditation Commission



EAC Lab Code 0704

			REPORT NO. Test Plan No. T59087.01 Rev A
			DATE 5/9/2012
REV	DATE	PAGE OR PARAGRAPH AFFECTED	DESCRIPTION OF CHANGES
---	3-22-12	Entire Document	Original Release
A	5-9-12	Entire Document	Complete document edited based on EAC comments.

---

**TABLE OF CONTENTS**

**1. INTRODUCTION..... 1**

1.1 Scope..... 1

1.2 References..... 2

1.3 Terms and Abbreviations ..... 3

1.4 Testing Responsibilities ..... 4

    1.4.1 Project Schedule..... 5

    1.4.2 Owner Assignments ..... 5

    1.4.3 Test Case Development ..... 5

    1.1.4 Test Procedures Development and Validation..... 5

    1.4.5 Third-Party Tests..... 5

    1.4.6 EAC and Manufacturer Dependencies..... 5

    1.4.7 VVSG ..... 5

    1.4.8 Beyond VVSG ..... 5

1.5 Target of Evaluation Description ..... 6

    1.5.1 System Overview ..... 6

    1.5.2 System Hardware ..... 6

    1.5.3 System Software ..... 17

    1.5.4 System Operational Concept..... 19

    1.5.5 System Limits ..... 22

    1.5.6 Supported Languages..... 23

    1.5.7 Supported Functionality ..... 23

**2.0 PRE-CERTIFICATION TESTING AND ISSUES..... 24**

2.1 Evaluation of Prior VSTL Testing ..... 24

    2.1.1 Reason for Testing and Results..... 24

2.2 Known Field Issues ..... 24

**3.0 MATERIALS REQUIRED FOR TESTING..... 25**

3.1 Software ..... 26

3.2 Equipment ..... 27

3.3 Test Support Materials ..... 30

3.4 Deliverable Materials ..... 31

**4.0 TEST SPECIFICATIONS..... 32**

4.1 Requirements (Strategy of Evaluation)..... 34

4.2 Hardware Configuration and Design ..... 37

4.3 Software System Functions..... 37

4.4 Test Case Design..... 37

    4.4.1 Hardware Qualitative Examination Design ..... 38

        4.4.1.1 Mapping of Requirements to Specific Interfaces ..... 40

    4.4.2 Hardware Environmental Test Case Design ..... 40

    4.4.3 Software Module Test Case Design and Data..... 41

    4.4.4 Software Functional Test Case Design and Data..... 42

    4.4.5 System Level Test Case Design..... 42

4.5 Security Functions ..... 43

**TABLE OF CONTENTS (Continued)**

4.6	TDP Evaluation .....	44
4.7	Source Code Review .....	48
4.8	QA and CM System Review .....	49
<b>5.0</b>	<b>TEST DATA .....</b>	<b>50</b>
5.1	Test Data Recording .....	50
5.2	Test Data Criteria .....	50
5.3	Test Data Reduction .....	50
<b>6.0</b>	<b>TEST PROCEDURE AND CONDITIONS .....</b>	<b>51</b>
6.1	Facility Requirements .....	51
6.2	Test Set-Up .....	51
6.3	Test Sequence .....	55
6.3.1	Hardware Test Description .....	58
6.3.2	Software Test Description .....	60
6.3.3	System Testing .....	63
<b>7.0</b>	<b>TEST OPERATIONS PROCEDURES .....</b>	<b>68</b>
7.1	Proprietary Data .....	68

**APPENDICES**

APPENDIX A	ES&S PROJECT SCHEDULE .....	A-1
APPENDIX B	THIRD PARTY BUILD SOFTWARE TABLE .....	B-1

## **1.0 INTRODUCTION**

The purpose of this National Certification Test Plan is to document the procedures that Wyle Laboratories, Inc. will follow to perform certification testing of Election Systems and Software (ES&S) EVS 5.0.0.0 System to the requirements set forth for voting systems in the U.S. Election Assistance Commission (EAC) 2005 Voluntary Voting System Guidelines (2005 VVSG). The EVS 5.0.0.0 System has been submitted to Wyle Laboratories, Inc. for testing to the EAC 2005 VVSG. Prior to submitting the system for certification testing, ES&S submitted an application to the EAC for certification of the EVS 5.0.0.0 to the requirements of the EAC 2005 VVSG.

At test conclusion, the results of all testing performed as part of this test campaign shall be submitted to the EAC in the form of a final report.

### **1.1 Scope**

The EVS 5.0.0.0 System is a paper-based voting system that includes:

- ElectionWare
- Election Reporting Manager (ERM)
- ES&S Event Log Service
- Removable Media Service
- VAT Previewer
- Polling Place Scanner – DS200
- Polling Place American Disability Act (ADA) Devices – AutoMARK A100, AutoMark A200, and ExpressVote
- Central Count Digital Scanner – DS850

The ExpressVote is the only new piece of hardware that has not been tested previously in an EAC test campaign and shall be evaluated to all applicable VVSG requirements at Wyle during this test campaign. The DS200, AutoMARK A100/A200, and DS850 have been submitted for testing in previous EAC campaigns. Wyle personnel will analyze each unit to determine prior testing acceptance (annotated later in the test plan) based on modifications to the unit, which includes software, hardware and functional modifications. Based on this data, each unit shall be subjected to the tests required to ensure that all applicable VVSG requirements are met.

The software utilized in the system will also be compared to versions that have been submitted for testing in previous EAC campaigns at Wyle to determine the extent of the source code review required (annotated later in the test plan). Based on this data, Wyle personnel will execute software code review to ensure that all applicable VVSG requirements are met and changes to the software do not affect any operational features of the voting system.

The complete system shall be tested in a full system integration test to ensure all components interact properly in the current system configurations listed in the EVS 5.0.0.0 scope.

(The remainder of this page intentionally left blank)

**1.0 INTRODUCTION (Continued)**

**1.2 References**

The documents listed below were used in the development of the Test Plan and will be utilized to perform certification testing.

- Election Assistance Commission 2005 Voluntary Voting System Guidelines, Volume I, Version 1.0, “Voting System Performance Guidelines,” and Volume II, Version 1.0, “National Certification Testing Guidelines,” dated December 2005
- Election Assistance Commission Testing and Certification Program Manual, Version 1.0, effective date January 1, 2007
- Election Assistance Commission Voting System Test Laboratory Program Manual, Version 1.0, effective date July 2008
- National Voluntary Laboratory Accreditation Program NIST Handbook 150, 2006 Edition, “NVLAP Procedures and General Requirements (NIST Handbook 150),” dated February 2006
- National Voluntary Laboratory Accreditation Program NIST Handbook 150-22, 2008 Edition, “Voting System Testing (NIST Handbook 150-22),” dated May 2008
- United States 107<sup>th</sup> Congress Help America Vote Act (HAVA) of 2002 (Public Law 107-252), dated October 2002
- Wyle Laboratories’ Test Guidelines Documents: EMI-001A, “Wyle Laboratories’ Test Guidelines for Performing Electromagnetic Interference (EMI) Testing,” and EMI-002A, “Test Procedure for Testing and Documentation of Radiated and Conducted Emissions Performed on Commercial Products”
- Wyle Laboratories’ Quality Assurance Program Manual, Latest Revision
- ANSI/NCSL Z540-1, “Calibration Laboratories and Measuring and Test Equipment, General Requirements”
- ISO 10012-1, “Quality Assurance Requirements for Measuring Equipment”
- EAC Requests for Interpretation (listed on [www.eac.gov](http://www.eac.gov))
- EAC Notices of Clarification (listed on [www.eac.gov](http://www.eac.gov))
- EAC Quality Monitoring Program residing on:  
[http://www.eac.gov/testing\\_and\\_certification/quality\\_monitoring\\_program.aspx](http://www.eac.gov/testing_and_certification/quality_monitoring_program.aspx)

A listing of the EVS 5.0.0.0 System Technical Data Package (TDP) documents submitted for this certification test effort is listed in Section 3.4, Deliverable Materials.

(The remainder of this page intentionally left blank)

**1.0 INTRODUCTION (Continued)**

**1.3 Terms and Abbreviations**

This subsection defines all terms and abbreviations applicable to the development of this Test Plan.

**Table 1-1 Terms and Abbreviations**

Term	Abbreviation	Definition
Americans with Disabilities Act of 1990	ADA	ADA is a wide-ranging civil rights law that prohibits, under certain circumstances, discrimination based on disability.
Configuration Management	CM	---
Commercial Off the Shelf	COTS	---
United States Election Assistance Commission	EAC	Commission created per the Help America Vote Act of 2002, assigned the responsibility for setting voting system standards and providing for the voluntary testing and certification of voting systems.
ES&S Event Log Service	ELS	---
Election Management System	EMS	Within the EVS 5.0.0.0 System, the EMS is comprised of five components: ElectionWare, ERM, ES&S Event Log Service, and VAT Previewer.
Election Reporting Manager	ERM	EVS EMS reporting component.
Election Systems and Software	ES&S	---
Equipment Under Test	EUT	Refers to the individual system component or multiple piece of the same component
ES&S Voting System	EVS	---
Functional Configuration Audit	FCA	Verification of system functions and combination of functions cited in the manufacturer's documentation.
Help America Vote Act	HAVA	Act created by United States Congress in 2002.
Intelligent Mark Recognition	IMR	Visible light scanning technology to detect completed ballot targets.
National Institute of Standards and Technology	NIST	Government organization created to promote U.S. innovation and industrial competitiveness by advancing measurement science, standards, and technology in ways that enhances economic security and improves our quality of life.

(The remainder of this page intentionally left blank)

1.0 INTRODUCTION (Continued)

1.3 Terms and Abbreviations (Continued)

**Table 1-1 Terms and Abbreviations (Continued)**

Term	Abbreviation	Definition
Physical Configuration Audit	PCA	Review by accredited test laboratory to compare voting system components submitted for certification testing to the manufacturer’s technical documentation, and confirmation the documentation meets national certification requirements. A witnessed build of the executable system is performed to ensure the certified release is built from tested components.
Quality Assurance	QA	--
Regression Testing	n/a	The process of examining and testing to verify that all functional and firmware modifications made during the test campaign did not introduce new errors or non-conformities into the voting system.
System Under Test	SUT	Refers to the system as a whole (all components)
Secure File Transfer Protocol	SFTP	A <a href="#">network protocol</a> that provides <a href="#">file access</a> , <a href="#">file transfer</a> , and <a href="#">file management</a> functionality over any reliable <a href="#">data stream</a> .
Technical Data Package	TDP	Manufacturer documentation related to the voting system required to be submitted as a precondition of certification testing.
Uninterruptible Power Supply	UPS	---
Voter Assist Terminal	VAT	The electronic ballot marking device component is the ES&S AutoMARK.
Voluntary Voting System Guidelines	EAC 2005 VVSG	Published by the EAC, the third iteration of national level voting system standards.
Wyle Laboratories, Inc.	Wyle	---
Wyle Operating Procedure	WoP	Wyle Test Method or Test Procedure.
Voting System Test Laboratory	VSTL	Wyle Labs
Voluntary Voting System Guidelines	VVSG	EAC Voluntary Voting System Guidelines V. 1.0

1.4 Testing Responsibilities

Prior to the development of this test plan, Wyle evaluated test results from previous test campaigns performed by the EAC’s accredited VSTLs as well as test cases and results of developmental testing conducted by ES&S during the pre-certification process that were provided by ES&S in their TDP. The purpose of this evaluation was to determine the scope of testing required for system certification. Following the review, Wyle determined that testing from previous test campaigns could be utilized to satisfy the requirements of this test campaign. All other core and non-core softwares and hardware certification testing shall be conducted under the guidance of Wyle personnel verified by Wyle to be qualified to perform the testing.

(The remainder of this page intentionally left blank)



**1.0 INTRODUCTION (Continued)**

**1.4 Testing Responsibilities (Continued)**

**1.4.1 Project Schedule**

This information is contained in a Wyle-generated Microsoft Project schedule. This schedule is presented in Appendix A, "ES&S Project Schedule." The dates on the schedule are not firm dates but planned estimates presented for informational purposes.

**1.4.2 Owner Assignments**

This information is contained in a Wyle-generated Microsoft Project schedule. This schedule is presented in Appendix A, "ES&S Project Schedule."

**1.4.3 Test Case Development**

Wyle will utilize the "Wyle Baseline Test Cases" for the Functional Configuration Audit (FCA). These shall be augmented with specially-designed test cases tailored to the ES&S EVS 5.0.0.0 System. Wyle has designed specific election definition and test cases for the Operational Status Check and the Accuracy Tests. The "Baseline" functional test cases and the election definitions have been previously submitted to the EAC for review.

**1.4.4 Test Procedure Development and Validation**

Wyle will utilize the Wyle Operating Procedures (WoPs) during the duration of this test program. The validated WoPs have been previously submitted to the EAC for review.

**1.4.5 Third-Party Tests**

Wyle will utilize 3<sup>rd</sup> party testing to perform the product safety portion of the EVS 5.0.0.0 System test campaign. The 3<sup>rd</sup> party tester will be MET Laboratories, INC.

**1.4.6 EAC and Manufacturer Dependencies**

This information is contained in a Wyle-generated Microsoft Project schedule. This schedule is presented in Appendix A, "ES&S Project Schedule."

**1.4.7 VVSG**

The EVS 5.0.0.0 System shall be tested to all applicable EAC 2005 VVSG requirements. Please refer to the EAC Virtual Review Tool (VRT) for further reference.

**1.4.8 Beyond VVSG**

No additional test results have been submitted for consideration as part of this test campaign.

(The remainder of this page intentionally left blank)

## 1.0 INTRODUCTION (Continued)

### 1.5 Target of Evaluation Description

The following sections address the design methodology and product description of the EVS 5.0.0.0 System as taken from the ES&S technical documentation.

#### 1.5.1 System Overview

The ES&S EVS 5.0.0.0 Election System is a comprehensive suite of vote tabulation equipment and software solutions providing end-to-end election management. The EVS 5.0.0.0 Voting System includes the following core system components detailed in Tables 1-2 and 1-3.

**Table 1-2 EVS 5.0.0.0 System Hardware Components**

Component	Hardware Version	Firmware Version
ExpressVote	1.0	1.0.0.0
DS200	1.2	2.7.0.0
AutoMARK A100	1.0	1.8.1.0
AutoMARK A200 (SBC 2.0)	1.1	1.8.1.0
AutoMARK A200 (SBC 2.5)	1.1	1.8.1.0
AutoMARK A300 (SBC 2.0)	1.3	1.8.1.0
AutoMARK A300 (SBC 2.5)	1.3	1.8.1.0
DS850	1.0	2.4.0.0

**Table 1-3 EVS 5.0.0.0 System Software Components**

Component	Version
ElectionWare	4.1.0.0
Election Reporting Manager (ERM)	8.6.0.0
ES&S Event Log Service	1.4.0.0
VAT Previewer	1.8.1.0
Removable Media Service	1.3.1.0

#### 1.5.2 System Hardware

The ES&S EVS 5.0.0.0 System can be set up to support one or more of the following hardware components:

- Express Vote
- DS200 Precinct Tabulator (with optional wired or wireless modem)
- AutoMARK Voting Assist Terminal
- DS850 Central Tabulator

**1.0 INTRODUCTION (Continued)**

**1.5 Target of Evaluation Description (Continued)**

**1.5.2 System Hardware (Continued)**

Each of these components is described in the following paragraphs:

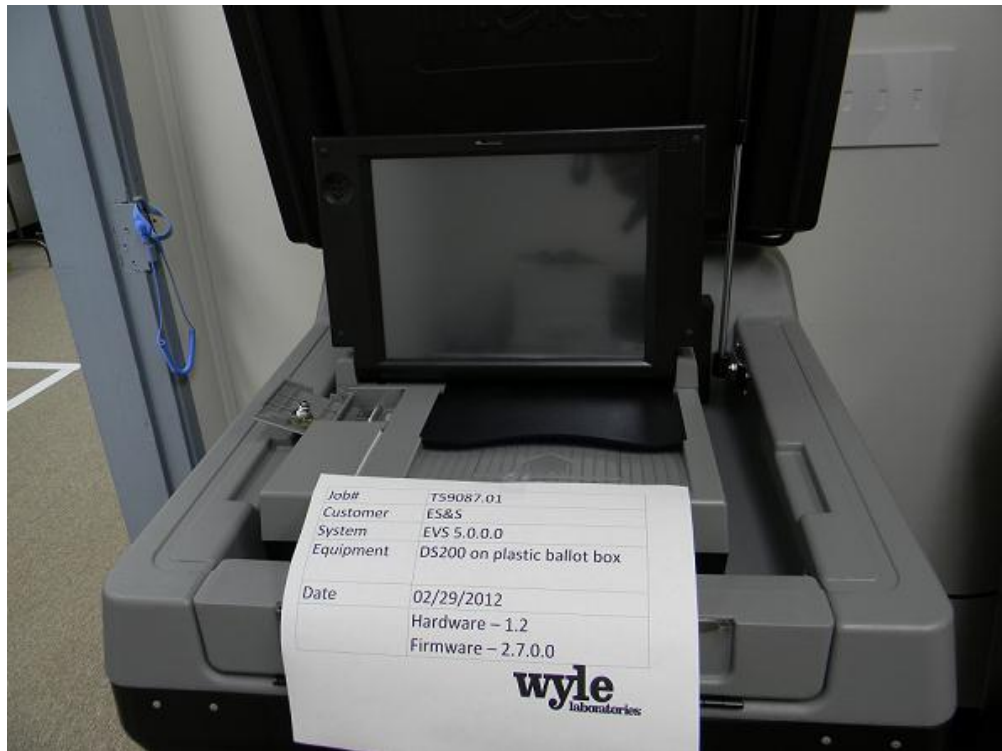
**ExpressVote**

Certain information pertaining to the ES&S ExpressVote system is considered to be proprietary and confidential.

**Precinct Ballot Tabulator: DS200**

The precinct ballot tabulator component is the DS200. The DS200 is a digital scan paper ballot tabulator designed for use at the polling place level. After the voter marks a paper ballot, their ballot is inserted into the unit and immediately tabulated. The tabulator uses a high-resolution image-scanning device to image the front and rear of the ballot simultaneously. The resulting ballot images are then decoded by a proprietary recognition engine.

The system includes a 12-inch touch screen display providing voter feedback and poll worker messaging. Once a ballot is tabulated and the system updates internal vote counters, the ballot is dropped into an integrated ballot box. The DS200 includes an internal thermal printer for the printing of the zero reports, log reports, and polling place totals upon the official closing of the polls.



**Photograph No. 1: DS200 (on plastic ballot box)**

1.0 INTRODUCTION (Continued)

1.5 Target of Evaluation Description (Continued)

1.5.2 System Hardware (Continued)

Precinct Ballot Tabulator: DS200 (Continued)



**Photograph No. 2: DS200 (on metal ballot box)**

(The remainder of this page intentionally left blank)

**1.0 INTRODUCTION (Continued)**

**1.5 Target of Evaluation Description (Continued)**

**1.5.2 System Hardware (Continued)**

**Electronic Ballot Marking Device: AutoMARK Voter Assist Terminal (VAT)**

The electronic ballot marking device component is the ES&S AutoMARK Voter Assist Terminal (VAT). The AutoMARK VAT assists voters with disabilities by marking optical scan ballots.

The AutoMARK VAT includes two user interfaces to accommodate voters who are visually or physically impaired or voters who are more comfortable reading or hearing instructions and choices in an alternative language. The AutoMARK is equipped with a touch screen and keypad. The touch-screen interface includes various colors and effects to prompt and guide the voter through the ballot marking process. Each key has both Braille and printed text labels designed to indicate function and a related shape to help the voter determine its use.

Regardless whether the voter uses the touch-screen or other audio interface, changes can be made throughout the voting process by navigating back to the appropriate screen and selecting the change or altering selections at the mandatory vote summary screen that closes the ballot-marking session.

The A100, A200 and A300 all operate the same and have the same features. The difference between the models is the location of two printed circuit boards and related wiring harness and cables. In the A200, the Printer Engine Board and Power Supply Board were moved from under the machine to the top. The A300 has a different lock and label. Since this change is so minor the A300 equipment will not be tested. However, the A300 will be included in the recommendation for certification.



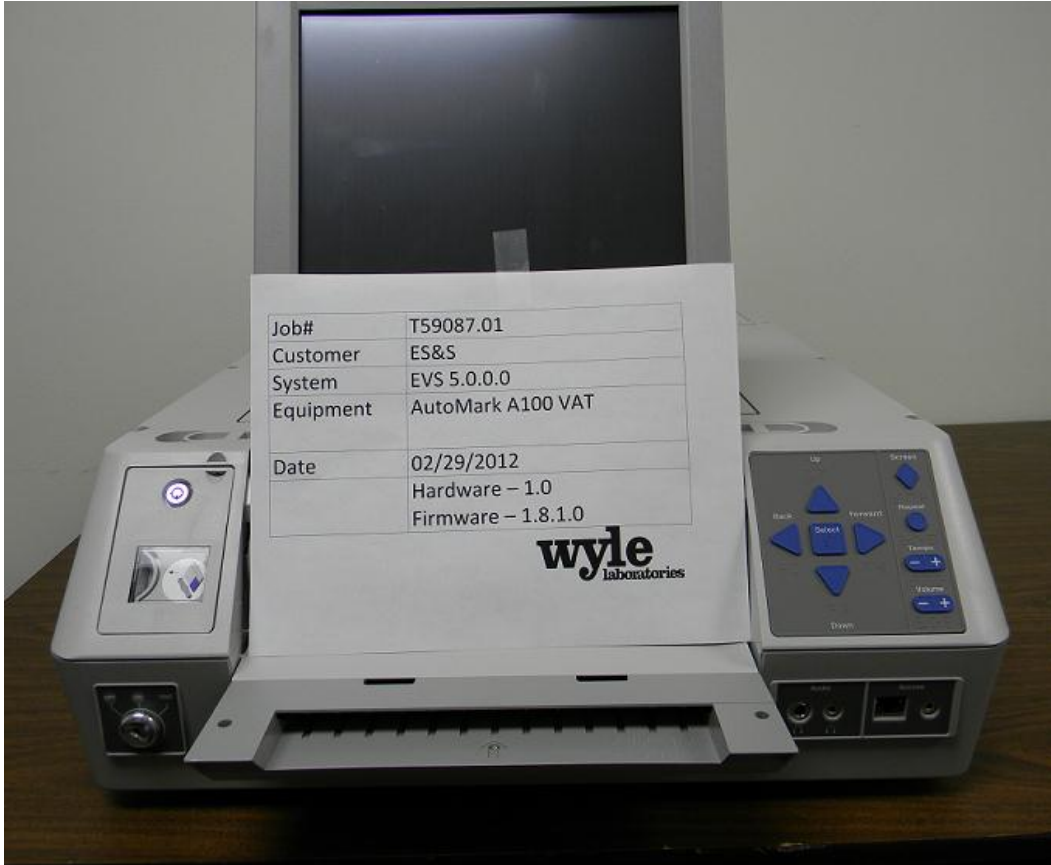
**Photograph No. 3: AutoMARK A200 VAT**

1.0 INTRODUCTION (Continued)

1.5 Target of Evaluation Description (Continued)

1.5.2 System Hardware (Continued)

Electronic Ballot Marking Device: AutoMARK Voter Assist Terminal (VAT) (Continued)



**Photograph No. 4: AutoMARK A100 VAT**

(The remainder of this page intentionally left blank)

1.0 INTRODUCTION (Continued)

1.5 Target of Evaluation Description (Continued)

1.5.2 System Hardware (Continued)

ExpressVote

ExpressVote is designed for dual use as either a stand-alone ballot marking device, or as an accessible voting station tethered to the DS200 with ballot verification and AutoCAST options. In either operating mode, ExpressVote supports ballot navigation using the system touchscreen or physical controls, audio ballot support and support for accessible voting peripherals such as sip and puff devices or a two-position switch.

When configured for stand-alone operation, the ExpressVote captures voter selections and prints them in human-readable form to a ballot card. This card is then scanned and tabulated by an ES&S precinct ballot scanner.

When configured for tethered mode, the ExpressVote is directly connected to a DS200 precinct tabulator via an Ethernet cable. The ExpressVote and DS200 share a common ballot box. After the voter has finished with their selections, they are given the option to have their ballot card ejected from the system to be scanned by an ES&S precinct scanner or to have the ballot “autocast.” If the voter chooses the autocast method, the ExpressVote will send the voter’s selections to the DS200 via the Ethernet connection to be recorded and tabulated by the DS200 (DRE). The ExpressVote will then deposit the ballot card into the shared ballot box.



Photograph No. 5: Express Vote

1.0 INTRODUCTION (Continued)

1.5 Target of Evaluation Description (Continued)

1.5.2 System Hardware (Continued)

**Tabulator: DS850**

The DS850 is a high-speed, digital scan central ballot counter. During scanning, the DS850 prints a continuous audit log to a dedicated audit log printer and can print results directly from the scanner to a second connected printer. The scanner saves results internally and to results collection media that officials can use to format and print results from a PC running Election Reporting Manager. The DS850 has an optimum throughput rate of 200 ballots per minute and uses cameras and imaging algorithms to image the front and back of a ballot, evaluate the results and sort ballots into discrete bins to maintain continuous scanning.



**Photograph No. 6: DS850**

(The remainder of this page intentionally left blank)



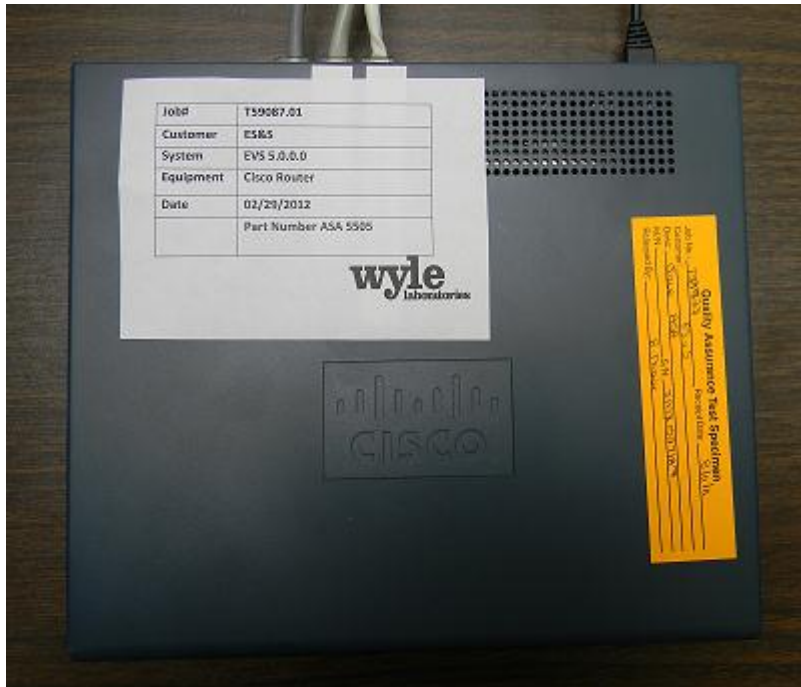
**1.0 INTRODUCTION (Continued)**

**1.5 Target of Evaluation Description (Continued)**

**1.5.2 System Hardware (Continued)**

**Cisco ASA 5505**

The Cisco ASA 5505 features an 8-port 10/100 Fast Ethernet switch. In the certified configuration only three of the ports are active. The Cisco ASA 5505, as configured, supports 3 VLANs i.e. an Outside LAN, DMZ and an Inside LAN. The RAS and SFTP Server reside on the DMZ. The SFTP Client and EMS reside on the Inside LAN. The DMZ is required to isolate the Inside LAN from any connectivity with the outside e.g. and the dial-up connections through the RAS. The Cisco ASA 5505 Adaptive Security Appliance is further configured to only allow SSH traffic i.e. traffic on port 22.



**Photograph No. 7: Cisco Router Top View**

(The remainder of this page intentionally left blank)

1.0 INTRODUCTION (Continued)

1.5 Target of Evaluation Description (Continued)

1.5.2 System Hardware (Continued)

Cisco ASA 5505 (Continued)



Photograph No. 8: Cisco Router Front View

(The remainder of this page intentionally left blank)

**1.0 INTRODUCTION (Continued)**

**1.5 Target of Evaluation Description (Continued)**

**1.5.2 System Hardware (Continued)**

**Remote Access Service (RAS)**

The RAS server, with Windows Server 2008 R2 operating system, allows incoming DS200 remote access dial-up and wireless connections to the SFTP server.



**Photograph No. 9: SFTP Server Configuration**

**EMS Client Server Configuration**

EVS 5.0.0.0 EMS will be configured with a Server running Windows Server 2008 R2 and a combination of a client laptop and a client desktop running Windows 7 Professional.



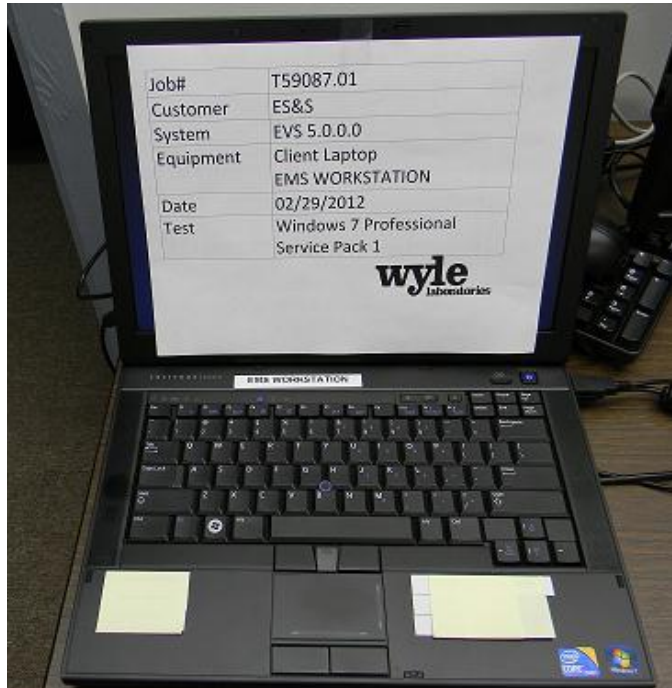
**Photograph No. 10: EMS Server**

1.0 INTRODUCTION (Continued)

1.5 Target of Evaluation Description (Continued)

1.5.2 System Hardware (Continued)

EMS Client Server Configuration (Continued)



Photograph No. 11: EMS Client Laptop



Photograph No. 12: EMS Client Desktop

1.0 INTRODUCTION (Continued)

1.5 Target of Evaluation Description (Continued)

1.5.2 System Hardware (Continued)

**SFTP Server External Modem**

Digi Rapidport/4 external modem utilized for wired communications with the DS200.



Photograph No. 13: Rapidport/4 External Modem

1.5.3 System Software

The EVS 5.0.0.0 Election Management System is an application suite comprised of five components: ElectionWare, Election Reporting Manager (ERM), Removable Media Service (RMS), ES&S Event Log Service (UELS), and VAT Previewer.

**ElectionWare**

ElectionWare integrates the election administration functionality into a unified application. Its intended use is to define an election and create the resultant media files used by the DS200 tabulator, AutoMark Voter Assist Terminal (VAT), ExpressVote, the DS850 Central Ballot Scanner, and Election Reporting Manager (ERM). An integrated ballot viewer allows election officials to view the scanned ballot and captured ballot data side-by-side and produce ballot reports.

**Election Reporting Manager (ERM)**

Election Reporting Manager (ERM) generates paper and electronic reports for election workers, candidates, and the media. Jurisdictions can use a separate ERM installation to display updated election totals on a monitor as ballot data is tabulated, and send the results' reports directly to the media outlets.

**1.0 INTRODUCTION (Continued)**

**1.5 Target of Evaluation Description (Continued)**

**1.5.3 System Software (Continued)**

ERM supports accumulation and combination of ballot results data from all ES&S tabulators. Precinct and accumulated total reports provide a means to accommodate candidate and media requests for totals and are available upon demand. High-speed printers are configured as part of the system accumulation/reporting stations PC and related software.

**Removable Media Service (RMS)**

Removable Media Service (RMS) is an application that runs in the background of the EMS client workstation and supports the installation and removal of election and results media.

**ES&S Event Log Service (UELS)**

ES&S Event Log Service is a Windows Service that runs in the background of any active ES&S Election Management software application to monitor the proper functioning of the Windows Event Viewer. The ES&S Event Log Service closes any active ES&S software application if the system detects the improper deactivation of the Windows Event Viewer.

**VAT Previewer**

The VAT Previewer is an application within the EMS program that allows the user to preview audio text and screen layout prior to burning Election Day media for the AutoMARK.

(The remainder of this page intentionally left blank)

1.0 INTRODUCTION (Continued)

1.5 Target of Evaluation Description (Continued)

1.5.4 System Operational Concept

The operational flow and low-level system interfaces for the ES&S EVS 5.0.0.0 Voting System are illustrated in Figures 1-1 through 1-4.

Certain information pertaining to the ES&S ExpressVote system is considered to be proprietary and confidential.

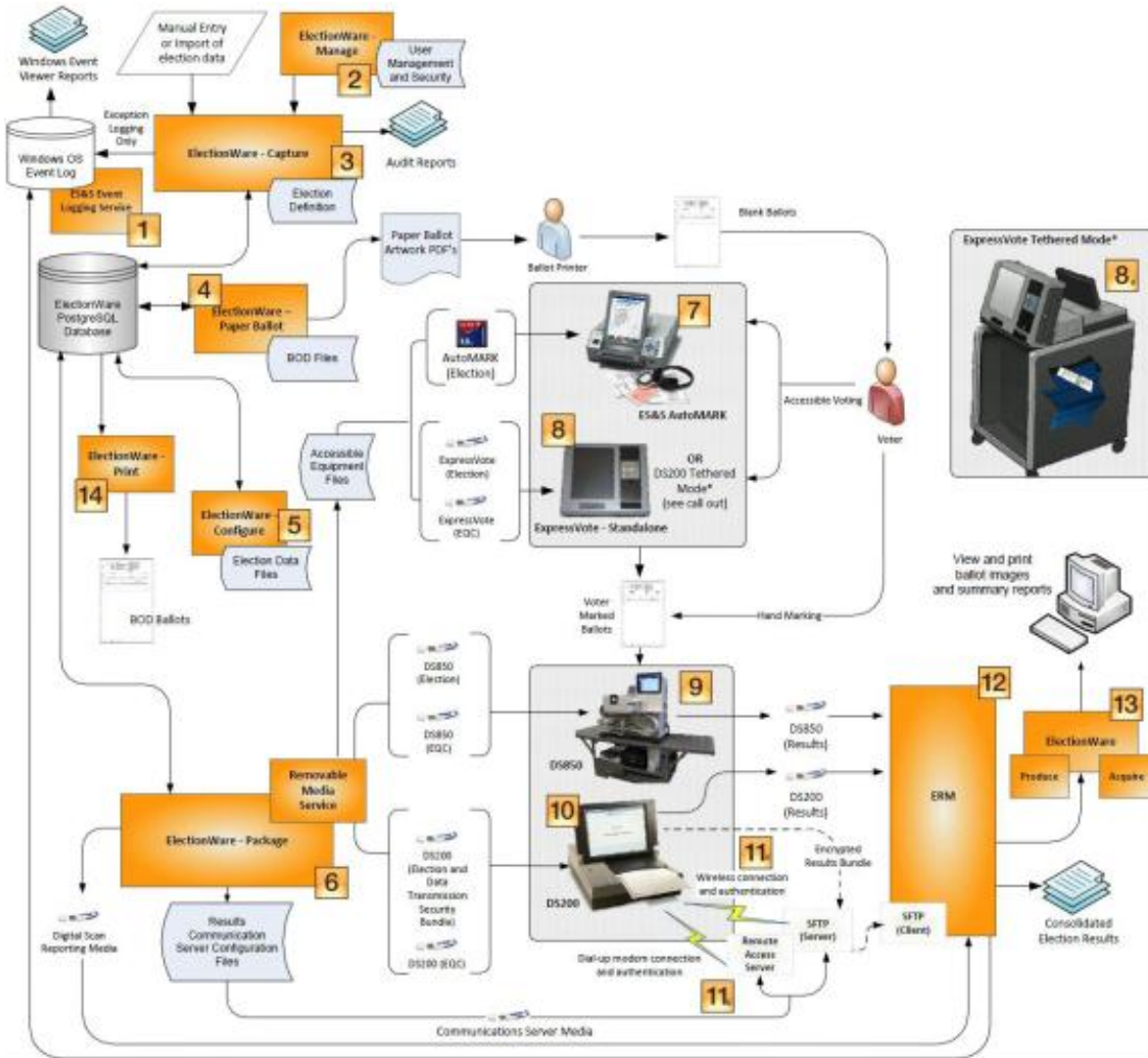


Figure 1-1 System Overview Diagram

(The remainder of this page intentionally left blank)

1.0 INTRODUCTION (Continued)

1.5 Target of Evaluation Description (Continued)

1.5.4 System Operational Concept (Continued)

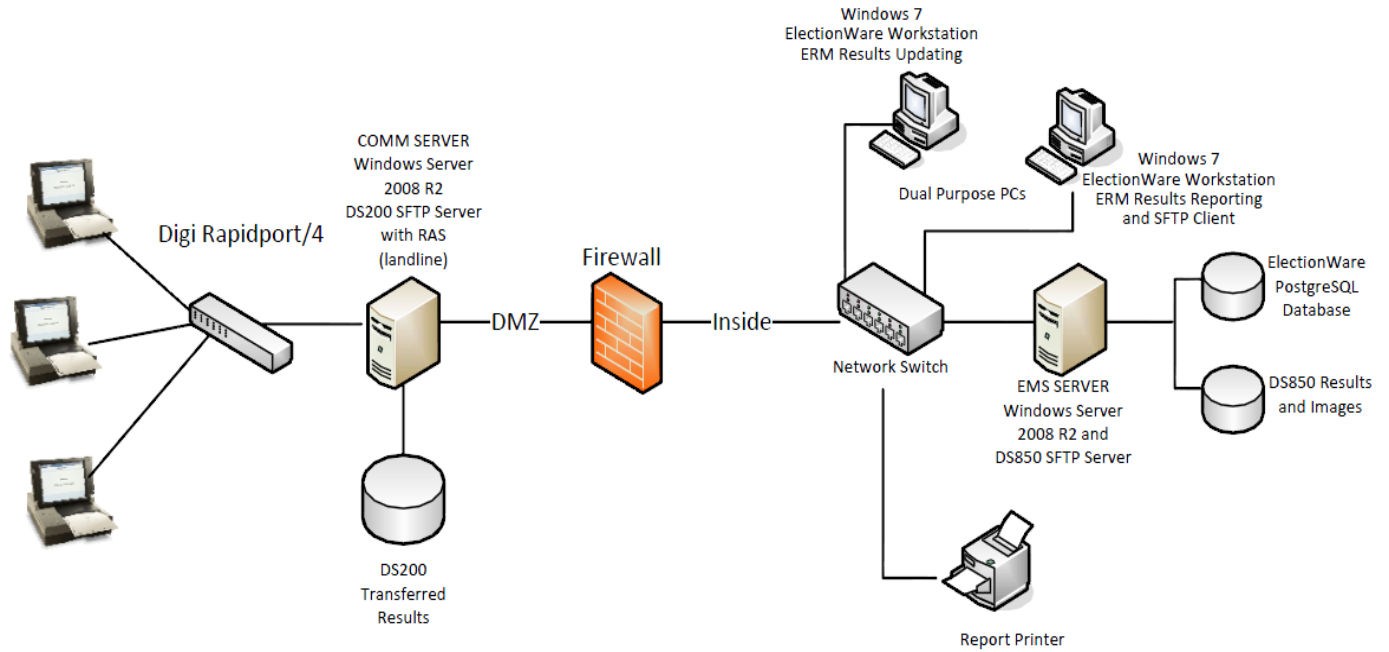


Figure 1-2 Secure File Transfer Configuration Guide (Wired)

(The remainder of this page intentionally left blank)



1.0 INTRODUCTION (Continued)

1.5 Target of Evaluation Description (Continued)

1.5.4 System Operational Concept (Continued)

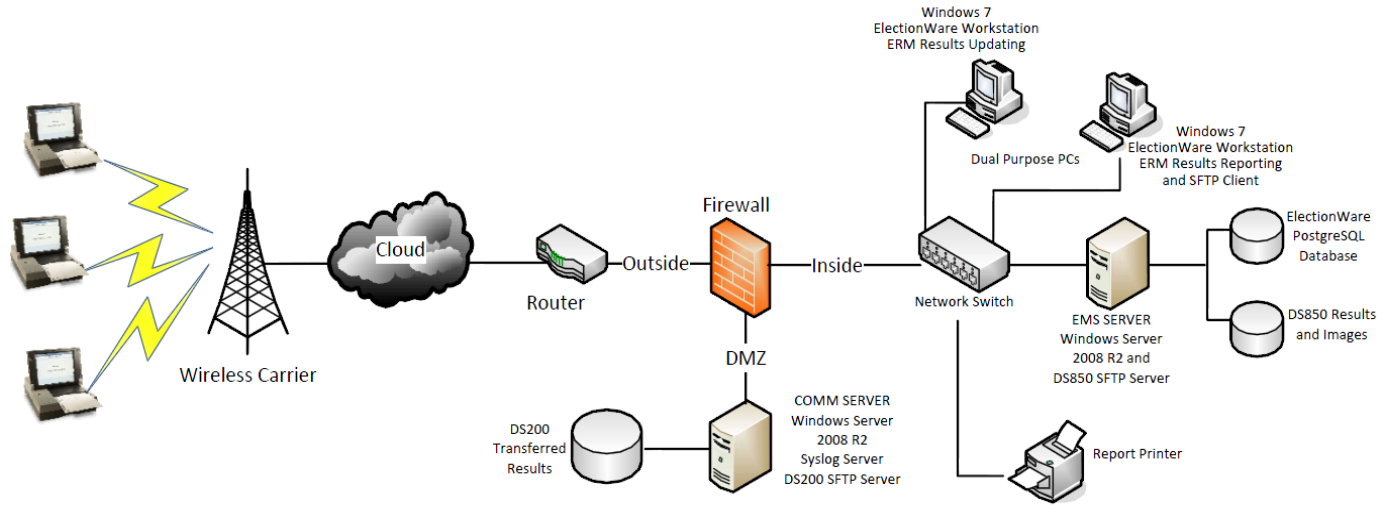


Figure 1-3 Wireless Results Transmission Subsystem

(The remainder of this page intentionally left blank)

**1.0 INTRODUCTION (Continued)**

**1.5 Target of Evaluation Description (Continued)**

**1.5.5 System Limits**

The system limits and the ballot target limits that ES&S has stated to be supported by the EVS 5.0.0.0 System are compiled in Tables 1-4 and 1-5.

**Table 1-4 EVS 5.0.0.0 System Limits**

<b>Limit Description (Maximum)</b>	<b>Limit Value</b>	<b>Limiting Factor</b>
Precincts allowed in an election	9900	ERM
Candidate/counters per election	21,000	ERM
Maximum candidates	21,000	Max Ballot Length 19"
Contest allowed in an election	21,000	ERM
Candidates/Counters allowed per precinct	1,000	ERM
Ballot styles allowed per election	6400	ERM
Contests allowed per ballot style	200 or number of positions on a ballot	N/A
Precincts allowed per ballot style	1600	ERM (database create)
Candidates (ballot choices) allowed per contest	175	ERM (database create)
Count for any precinct element	500,000 (65,550 from any tabulator media)	ERM report (ERM results Import)
Number of parties allowed	Gen-75, Prim-30	ERM (database create)
'Vote for' per contest	98	ERM (database create)

**Table 1-5 EVS 5.0.0.0 Ballot Target Limits**

<b>Ballot Size (ovals per inch Left or Right)</b>	<b>Positions per Row x Column</b>
8½ x 11" (4 ovals per inch)	38 rows x 24 columns = 912/side
8½ x 11" (5 ovals per inch)	50 rows x 24 columns = 1200/side
8 ½ x 14" (3 ovals per inch)	41 rows x 24 columns = 984/side
8 ½ x 14" (4 ovals per inch)	50 rows x 24 columns = 1200/side
8 ½ x 14" (5 ovals per inch)	65 rows x 24 columns = 1560/side
8 ½ x 17" (3 ovals per inch)	50 rows x 24 columns = 1200/side
8 ½ x 17" (4 ovals per inch)	62 rows x 24 columns = 1488/side
8 ½ x 17" (5 ovals per inch)	81 rows x 24 columns = 1944/side
8 ½ x 19" (3 ovals per inch)	56 rows x 24 columns = 1344/side
8 ½ x 19" (4 ovals per inch)	70 rows x 24 columns = 1680/side
8 ½ x 19" (5 ovals per inch)	91 rows x 24 columns = 2184/side

(The remainder of this page intentionally left blank)

## 1.0 INTRODUCTION (Continued)

### 1.5 Target of Evaluation Description (Continued)

#### 1.5.6 Supported Languages

The following languages have been stated by ES&S to be supported by the EVS 5.0.0.0 System:

- English
- Spanish
- Chinese
- Korean
- Japanese

The ability to create ballots and display information in an alternate language will be tested by creating ballots and system prompts (instructions) in English, Spanish, and several Asian languages. Wyle will not be validating the validity of the all Asian character sets.

#### 1.5.7 Supported Functionality

The EVS 5.0.0.0 is designed to support the following voting variations:

- General Election
- Open and Closed Primaries
- Partisan offices
- Non-Partisan offices
- Write-in voting
- Straight Party voting
- Cross-Party endorsement
- Split Precincts
- Ballot Rotation
- Provisional or Challenged Ballots
- Vote for N of M
- Audio Ballot
- Recall issues, with options

The EVS 5.0.0.0 System does not include functions for Primary Presidential Delegation Nominations, Ranked Order Voting, or Cumulative Voting; therefore, testing will not be conducted on these functions.

(The remainder of this page intentionally left blank)

## **2.0 PRE-CERTIFICATION TESTING AND ISSUES**

### **2.1 Evaluation of Prior VSTL Testing**

EMC testing was performed on the DS200 and DS850 by Criterion Technology's Test Report Number 091130-1503R, "EMC Qualification Test Report, Election Systems and Software, Digital Scan Central-Count Vote Tabulation System, DS200" and Test Report Number 091014-1481, "EMC Qualification Test Report, Election Systems and Software, Digital Scan Central-Count Vote Tabulation System, DS850(i)" as part of the Unity 5.0 project at iBeta. ES&S resubmitted these test reports to Wyle for reuse consideration. The reports covered the following tests:

- Electrical Power Disturbance
- Electromagnetic Radiation
- Electrostatic Disruption
- Electrical Power Disturbance
- Electromagnetic Susceptibility
- Electrical Fast Transient
- Lightning Surge
- Conducted RF Immunity
- Magnetic Fields Immunity

For details of the hardware qualitative examination performed by Wyle, refer to Section 4.4.1 of this test plan.

Source code review performed by iBeta as part of the Unity 5.0.0.0 campaign will be reused. Wyle has reviewed changes that were made due to pending discrepancies from that campaign. In addition, Wyle has reviewed all changes to the DS850 code since November 2010.

#### **2.1.1 Reason for Testing and Results**

The EMC testing performed by Criterion was directed by iBeta for an EAC 2005 VVSG test campaign for EVS 5.0.0.0.

### **2.2 Known Field Issues**

Two technical advisories and a Formal Investigation report have been issued by the EAC concerning known field issue of the DS200, each of which is summarized below: (Note all these issues are addressed in Unity 3.2.0.0 Rev 3)

1. EAC Technical Advisory ESS2011-02: During local acceptance testing in a jurisdiction, multiple DS200 Ballot Scanners exhibited an anomaly where the touch screen interface would stop responding to touches.
2. EAC Technical Advisory ESS2011-03: During local acceptance testing, a DS200 Ballot Scanner failed to count a marked ballot position resulting in a lost vote.

**2.0 PRE-CERTIFICATION TESTING AND ISSUES (Continued)**

**2.2 Known Field Issues (Continued)**

3. In response to the technical advisories, ES&S has published two Technical Bulletins (PRBDS2000013 and FYIDS2000021) dated 8/3/2011.
4. EAC issued a Formal Investigation Report, dated December 20, 2011, that substantiated three of the four allegations of anomalies in the investigation.

(The remainder of this page intentionally left blank)

### 3.0 MATERIALS REQUIRED FOR TESTING

The materials required for certification testing of the EVS 5.0.0.0 System include software, hardware, test materials, and deliverable materials to enable the test campaign to occur shall be delivered by ES&S to Wyle.

#### 3.1 Software

Table 3-1 lists the software the manufacturer must submit for testing. This section defines the two types of software needed for testing:

- Software used for the testing of hardware, software, and security.
- Supporting software required for the test environment (operating systems, compilers, assemblers, database managers, and any other supporting software).

The EVS 5.0.0.0 software and firmware submitted for review are identified in Table 3-1.

**Table 3-1 EVS 5.0.0.0 System Software and Firmware**

Software/Firmware	Version	Description
ES&S Event Log Service	1.5.0.0	The ES&S Event Log Service is a Windows Service that runs in the background of any active ES&S Election Management software application to monitor the proper functioning of the Windows Event Viewer.
ElectionWare	4.1.0.0	ElectionWare Election Management System software for defining contents, candidates and ballot formats and performing results post-processing.
PaperBallot	3.1.0.0	The PaperBallot utilizes ElectionWare data originally sourced from external election data (Imported text file) or created within ElectionWare's Define Module. Ballot customization is accomplished with the Paper Ballot module. This feature is integrated into the ElectionWare program.
Election Reporting Manager (ERM)	8.6.0.0	The Election Reporting Manager (ERM) generates paper and electronic reports for election workers, candidates, and the media. The Jurisdictions can use a separate ERM installation to display updated election totals on a monitor as ballot data is tabulated, and send results reports directly to media outlets.
Removable Media Service	1.4.0.0	The Removable Media Service is an application used as a portion of the Event Log services that are used to capture and log errors in the ES&S Event Logging Service when the ElectionWare database has become unavailable due to an error condition. All logins and starting of Removable Media Service are logged to the Windows ES&S event log.

(The remainder of this page intentionally left blank)

3.0 MATERIALS REQUIRED FOR TESTING (Continued)

3.1 Software (Continued)

Table 3-1 EVS 5.0.0.0 System Software and Firmware (Continued)

Software/Firmware	Version	Description
DS200	2.7.0.0	The DS200 is a digital scan paper ballot tabulator designed for use at the polling place level.
DS850	2.4.0.0	A high-speed, digital scan central ballot counter. During scanning, the DS850 prints a continuous audit log to a dedicated audit log printer and can print results directly from the scanner to a second connected printer.
ExpressVote	1.0.0.0	Ballot Marking Device
AutoMark	1.8.1.0	The AutoMARK™ Voter Assist Terminal is designed to help voters mark their election ballots when they are visually impaired, physically disabled, or more comfortable reading or hearing instructions and choices in an alternative language.
VAT Previewer	1.8.1.0	The VAT Previewer is an application within the EMS program that allows the user to preview audio text, and screen layout prior to burning election day media for the AutoMARK.

3.2 Equipment

This subsection categorizes the equipment the manufacturer has submitted for testing. Each test element is included in the list of the equipment required for testing of that element, including system hardware, general purpose data processing, communications equipment, and any required test instrumentation.

Every effort is made to verify that the COTS equipment has not been modified for use. Wyle will perform research using the COTS equipment manufacturers' websites based on the serial and service tag numbers for each piece of equipment and will evaluate COTS hardware, system software and communications components for proven performance in commercial applications other than elections. For PCs, laptops, and servers, the service tag information is compared to the system information found on each machine. The physical external and internal examinations are also performed to the best of Wyle's abilities when the equipment is easily accessible without the possibility of damage. The hard drives, RAM memory, and other components are examined to verify that the components match the information found on the COTS equipment manufacturers' websites.

(The remainder of this page intentionally left blank)

**3.0 MATERIALS REQUIRED FOR TESTING (Continued)**

**3.2 Equipment (Continued)**

**Table 3-2 EVS 5.0.0.0 Voting System Equipment Description**

Equipment	Description	Serial Numbers
DS200 <ul style="list-style-type: none"> <li>• Hardware v. 1.2</li> <li>• Firmware v. 2.7.0.0</li> </ul>	A digital scan paper ballot tabulator designed for use at the polling place level.	ES0108340178, ES0107380927, ES0107360007
AutoMARK A100 <ul style="list-style-type: none"> <li>• Hardware v. 1.0</li> <li>• Firmware v. 1.8.1.0</li> </ul>	ADA Ballot Marking Device	AM0106431724
AutoMARK A200 <ul style="list-style-type: none"> <li>• Hardware v. 1.1</li> <li>• Firmware v. 1.8.1.0</li> </ul>	ADA Ballot Marking Device	AM0208470626
DS850 <ul style="list-style-type: none"> <li>• Hardware v. 1.0</li> <li>• Firmware v. 2.4.0.0</li> </ul>	A high-speed, digital scan central ballot counter. During scanning, the DS850 prints a continuous audit log to a dedicated audit log printer and can print results directly from the scanner to a second connected printer.	DS850: DS8509420009 Cart: 57936-02 Laser Printer Oki B430dn: AF97052470A0 UPS APC-RS 1500: BB0932033646 Dot Matrix Printer Oki 420: AE72011853C0
Express Vote <ul style="list-style-type: none"> <li>• Hardware v. 1.0</li> <li>• Firmware v. 1.0.0.0</li> </ul>	ADA Ballot Marking/Generating Device	EVO112030002
Ballot Box Hardware v. 1.3	Plastic Ballot Box	E076, E089, E099
Ballot Box Hardware v. N/A	Metal Box with Diverter	E015, E017
EMS Client Laptop	Dell Latitude E6410	2FD65Q1
EMS Server	Dell T710	5PZ6VR1
SFTP Server	Dell T470	4D6BQM1
EMS Client Desktop	Dell OptiPlex 980	3TZLFQ1
Router/Firewall	Cisco ASA 5505 v09	JMX152741AT
External USB 4 port Modem	DIGI Rapidport/4	W1378660
Ballot on Demand Printer	OKI C9650	AF85027113A0
Report Printer	HP LaserJet 4050N	USQX074394
Headphones	Avid FV 60	HP-57936-1, HP-57936-2, HP-57936-3, HP-57936-4, HP-57936-5, HP-57936-6, HP-57936-7, HP-57936-8 and HP-57936-9

(The remainder of this page intentionally left blank)



3.0 MATERIALS REQUIRED FOR TESTING (Continued)

3.2 Equipment (Continued)

In order to perform the software witness and trusted builds, the equipment in Table 3-3 shall be used:

Table 3-3 EVS 5.0.0.0 Voting System Build Machine Description

Equipment	Manufacturer	Version/Model	Serial Number	COTS/Non-COTS
Build 1	Dell Optiplex 760	Processor: Intel Duo Core E8400 Wolfdale Memory: 4x 1GB, 800 Mhz Ram Hard Drive Capacity: 80 GB	6D7DJG1	COTS
Build 2	Dell Optiplex 760	Processor: Intel Duo Core E8400 Wolfdale Memory: 4x 1GB, 800 Mhz Ram Hard Drive Capacity: 80 GB	6DCKJG1	COTS
Build 3	Dell Precision T3500	Processor: Intel X5650 2.66/6.4 12MB Xeon Westmere Memory: 1x 2GB, 1333 Mhz Ram Hard Drive Capacity: 160 GB	15TMMN1	COTS
Build 4	Dell Precision T3500	Processor: Intel X5650 2.66/6.4 12MB Xeon Westmere Memory: 1x 2GB, 1333 Mhz Ram Hard Drive Capacity: 160 GB	15TNMN1	COTS

(The remainder of this page intentionally left blank)

**3.0 MATERIALS REQUIRED FOR TESTING (Continued)**

**3.3 Test Support Materials**

This subsection enumerates any and all test support materials needed to perform voting system testing. The scope of testing determines the quantity of a specific material required.

The test materials in Table 3-4 are required to support the EVS 5.0.0.0 System certification testing.

**Table 3-4 EVS 5.0.0.0 System Test Support Materials**

Test Material	Quantity	Make	Model
8 ½" X 11" Paper in Speed Loading Box (2700 Sheets)	4	Dot Matrix	951027
COTS Printer	1	EPSON LQ-590	FSQY140868
Security Seals	5000	Intab	800-0038R
Security Locks	20	E. J. Brooks	86022
	25	E. J. Brooks	6024
	50	American Casting Corp.	00561-03
	50	A. Rifkin	RIFSI
ES&S Pens	20	BIC	Grip Roller
Security Sleeves	7	ES&S	PS-S7-936-XX(1-7) *
CF Card Reader	1	SanDisk	018-6305
Magnifier	3	---	---
Headphone Covers	30	---	---
Paddles (yes/no)	3	---	---
Transport Media (USB Flash Drives)	Delkin	512 MB Capacity	Wyle-assigned numbers: TM-XXX *
	Delkin	1.0 GB Capacity	Wyle-assigned numbers: TM-XXX *
	Delkin	2.0 GB Capacity	Wyle-assigned numbers: TM-XXX *
	Delkin	4.0 GB Capacity	Wyle-assigned numbers: TM-XXX *
	Delkin	8.0 GB Capacity	Wyle-assigned numbers: TM-XXX *
	SanDisk	2.0 GB Capacity	Wyle-assigned numbers: TM-XXX *
Compact Flash	SanDisk	512 MB Capacity	Wyle-assigned numbers: CF-XXX *
	SanDisk	1.0 GB Capacity	Wyle-assigned numbers: CF-XXX *
	SanDisk	2.0 GB Capacity	Wyle-assigned numbers: CF-XXX *
	Toshiba	1.0 GB Capacity	Wyle-assigned numbers: CF-XXX *

\* Wyle will assign serial numbers to these items when testing begins.

**3.0 MATERIALS REQUIRED FOR TESTING (Continued)**

**3.4 Deliverable Materials**

The materials listed in Table 3-5 are to be delivered as part of the EVS 5.0.0.0 System to the users.

**Table 3-5 Deliverable Materials**

<b>Deliverable Material</b>	<b>Version</b>	<b>Description</b>
ERM	8.6.0.0	EMS
ElectionWare	4.1.0.0	EMS
ES&S Event Log Service	1.5.0.0	EMS
VAT Previewer	1.8.1.0	EMS
DS200	Firmware 2.7.0.0; Hardware 1.2	Precinct ballot scanner
AutoMARK A100	Firmware 1.8.1.0; Hardware 1.0	Voter Assist Terminal
AutoMARK A200	Firmware 1.8.1.0; Hardware 1.1	Voter Assist Terminal
Express Vote	Firmware 1.0.0.0; Hardware 1.0	
DS850	Firmware 2.4.0.0; Hardware 1.0	Central ballot scanner
OKI Printer	B430dn and B431dn	Laser Report Printer
OKI Printer	Microline 420	Dot Matrix Printer
Headphones	Avid FV 60	Stereo headphones
Voting System Overview EVS 5.0.0.0	2.0	TDP Document
ES&S ElectionWare 4.1 Vol I: Administrator's Guide	0.3	TDP Document
ES&S ElectionWare 4.1 Vol II: Define User's Guide	0.3	TDP Document
ES&S ElectionWare 4.1 Vol III: Design User's Guide	0.3	TDP Document
ES&S ElectionWare 4.1 Vol IV: Deliver User's Guide	0.3	TDP Document
ES&S ElectionWare 4.1 Vol V: Results User's Guide	0.3	TDP Document
ES&S DS200 System Operations Procedures	1.0	TDP Document
ES&S DS850 System Operations Procedures	3.0	TDP Document
AutoMark system Operations Procedures	2.0	TDP Document
ES&S ExpressVote Operator Guide	1.0	TDP Document
ES&S ERM System Operations Procedures	1.0	TDP Document
Network Configuration Guide	2.0	TDP Document
Wireless Network Configuration Guide	1.0	TDP Document
Dialup Network Configuration Guide	1.0	TDP Document
EVS Event Logging Service System Operations Procedures	1.0	TDP Document
Voting System Security Specification EVS 5.0.0.0	1.0	TDP Document
Jurisdiction Security Practices Template	1.0.0.1	TDP Document
Hardening the EMS PC Guide	2.1	TDP Document

(The remainder of this page intentionally left blank)

#### 4.0 TEST SPECIFICATIONS

Certification testing of the EVS 5.0.0.0 System is to the configuration submitted in the EAC application ESS1105. Wyle-qualified personnel will ensure that all certification testing performed on the manufacturer's voting system follows Wyle's procedures for testing and the specific test cases to ensure the requirements of the EAC 2005 VVSG and EAC Testing and Certification Program Manual are met.

Below is a list of the EAC's Request for Interpretations (RFI) and Notice of Clarifications (NOC) that shall be incorporated in the test campaign:

##### Interpretations

2012-01 EAC Decision on Ballot Handling - Multifeed  
2010-08 EAC Decision on Calling Sequence  
2010-07 EAC Decision on Module Length  
2010-06 EAC Decision on DRE Accessibility Requirements and Other Accessible Voting stations  
2010-05 EAC Decision on Testing of Modifications to a Certified System  
2010-04 EAC Decision on Functional Requirements with Respect to Security  
2010-03 EAC Decision on Database Coding Conventions  
2010-02 EAC Decision on Coding Conventions  
2010-01 EAC Decision on Voltage Levels and ESD Test  
2009-06 EAC Decision on Temperature and Power Variation  
2009-05 EAC Decision on T-Coil Requirements  
2009-04 EAC Decision on Audit Log Events  
2009-03 EAC Decision on Battery Backup for Central Count Systems  
2009-02 EAC Decision on Alternate Languages  
2009-01 EAC Decision on VVPAT Accessibility New  
2008-12 EAC Decision on Ballot Marking Device/Scope of Testing  
2008-10 EAC Decision on Electrical Fast Transient  
2008-09 EAC Decision on Safety Testing  
2008-08 EAC Decision on Automatic Bar Code Readers  
2008-07 EAC Decision on Zero Count to Start Election  
2008-06 EAC Decision on Battery Backup for Central Count  
2008-05 EAC Decision on Durability  
2008-04 EAC Decision on Supported Languages  
2008-03 EAC Decision on OS Configuration  
2008-02 EAC Decision on Battery Backup for Optical Scan Voting Machines  
2008-01 EAC Decision on Temperature and Power Variation  
2007-06 EAC Decision on Recording and Reporting Undervotes  
2007-05 EAC Decision on Testing Focus and Applicability

#### 4.0 TEST SPECIFICATIONS (Continued)

##### Interpretations (Continued)

2007-04 EAC Decision on Presentation of Alternative Language

2007-03 EAC Decision on Summative Usability Testing

2007-02 EAC Decision on Variable Names

2007-01 EAC Decision on Accessible Design

##### Notice of Clarifications

NOC 2012-02 – Clarification of System Identification Tool Functionality

NOC 2012-01 – Clarification of COTS Product Equivalency for De Minimis Change

NOC 2011-01 – Clarification of De Minimis Change Determination Requirements Related to Data

NOC 2009-005 – Development and Submission of Test Plans for Modifications to EAC Certified Systems

NOC 2009-004 – Development and Submission of Test Reports

NOC 2009-003 – De Minimis Change Determination Requirement

NOC 2009-002 - Laboratory Independence Requirement

NOC 2009-001 - Requirements for Test Lab Development and Submission of Test Plans

NOC 2008-003 - EAC Conformance Testing Requirements

NOC 08-002 - EAC Mark of Certification

NOC 2008-001 - Validity of Prior Non-core Hardware Environmental and EMC Testing

NOC 2007-005 - Voting System Test Laboratory Responsibilities in the Management and Oversight of Third Party Testing

NOC 2007-004 - Voting System Manufacturing Facilities

NOC 2007-003 - State Testing Done in Conjunction with Federal Testing within the EAC Program

NOC 2007-002 - VSTL Work with Manufacturers Outside of Voting System Certification Engagements

NOC 2007-001 - Timely Submission of Certification Application

(The remainder of this page intentionally left blank)

#### 4.0 TEST SPECIFICATIONS (Continued)

##### 4.1 Requirements (Strategy of Evaluation)

To evaluate the system test requirements, each section of the EAC 2005 VVSG shall be analyzed to determine the applicable tests. The EAC 2005 VVSG Volume I Sections, along with the strategy for evaluation, are described below:

- **Section 2: Functional Requirements** – The requirements in this section shall be tested during the FCA, utilizing the “Wyle Baseline Test Cases” along with test cases specially designed for the ES&S EVS 5.0.0.0 System. The data input during these tests shall be the predefined election definitions submitted as part of the Test Plan Package.
- **Section 3: Usability and Accessibility** – The requirements in this section shall be tested during the Usability Test utilizing a combination of the “Wyle Baseline Test Cases” and the “Wyle Baseline Usability Test Cases,” The data input during this test shall be the predefined election definitions submitted as part of the Test Plan Package.
- **Section 4: Hardware Requirements** – The requirements in this section shall be tested and/or evaluated by trained-Wyle personnel, per Sections 4.4.2 and 6.3.1.
- **Section 5: Software Requirements** – The requirements in this section shall be tested during source code review, TDP review, and FCA. A combination of review and functional testing shall be performed to insure these requirements are met.
- **Section 6: Telecommunication** – The requirements in this section shall be tested, utilizing the Wyle Telecommunications Test Cases along with test cases specially designed for the EVS 5.0.0.0 System.
- **Section 7: Security Requirements** – The requirements in this section shall be tested during source code review, FCA, and Security Tests.
- **Section 8: Quality Assurance (QA) Requirements** – The requirements in this section shall be tested throughout the test campaign via various methods. The TDP review shall be performed on ES&S QA documentation to determine compliance to EAC 2005 VVSG requirements and the requirements stated in the ES&S QA Program document. All source code shall be checked to ensure that proper QA documentation has been completed. All equipment received for initial testing and follow-up testing shall be checked against ES&S documentation to ensure their QA process is being followed. Wyle personnel will complete the requirements of EAC 2005 VVSG Vol. 2, Section 7, Quality Assurance Testing and Section 1.3.1.5, Focus of Vendor Documentation that requires Wyle personnel to physically examine documents at ES&S’s location or conduct an external evaluation utilizing equipment, documents and support information provided by ES&S during the test campaign. Wyle may also choose to interview ES&S’s QA staff for further evaluation.
- **Section 9: Configuration Management (CM) Requirements** – The requirements in this section shall be tested throughout the test campaign. The TDP review shall be performed on the ES&S configuration management documentation to determine EAC 2005 VVSG compliance and to further determine whether ES&S is following its documented CM requirements within the TDP. Any anomalies shall be formally reported to ES&S and the EAC. Wyle personnel will conduct an audit of the ES&S CM Program at the ES&S facility at the conclusion of the test campaign.

(The remainder of this page intentionally left blank)

#### 4.0 TEST SPECIFICATIONS (Continued)

##### 4.1 Requirements (Strategy of Evaluation) (Continued)

Wyle personnel shall maintain a test log of the procedure(s) employed. This log identifies the system and equipment by model and serial numbers. In the event that the project engineer deems it necessary to deviate from requirements pertaining to the test environment, the equipment arrangement and method of operation, the specified test procedure, or the provision of test instrumentation and facilities, the deviation shall be recorded in the test log. (A discussion of the reasons for the deviation and the effect of the deviation on the validity of the test procedure shall also be provided and approved.)

The designated Wyle Operating Procedures (WoP's) for this program are listed below together with the identification and a brief description of the hardware and software to be tested and any special considerations that affect the test design and procedure.

The specific Wyle WoP's to be used during testing include the following:

- WoP 1 Operations Status Checks
- WoP 2 Receipt Inspection
- WoP 3 Technical Data Package Review
- WoP 4 Test Plan Preparation (*This document*)
- WoP 5a-d Source Code Review
- WoP 6a-d Security
- WoP 7 Trusted Build
- WoP 8 Electrical Power Disturbance
- WoP 9 Electromagnetic Emissions
- WoP 10 Electrostatic Disruption
- WoP 11 Electromagnetic Susceptibility
- WoP 12 Electrical Fast Transient
- WoP 13 Lightning Surge
- WoP 14 Conducted RF Immunity
- WoP 15 Magnetic Fields Immunity
- WoP 16 Hardware Testing- Bench Handling
- WoP 17 Hardware Testing- Vibration Test
- WoP 18 Hardware Testing-Low Temperature Test
- WoP 19 Hardware Testing-HighTemperature Test
- WoP 20 Hardware Testing-Humidity Test
- WoP 21 Environmental Operating\_Accuracy\_Reliability (Temp/Power)
- WoP 22 Usability – Acoustic Test

**4.0 TEST SPECIFICATIONS (Continued)**

**4.1 Requirements (Strategy of Evaluation) (Continued)**

- WoP 23 Product Safety
- WoP 24 1 – 1g Usability
- WoP 24 2 – 2h Accessibility
- WoP 25 Physical Configuration Audit
- WoP 26 Functional Configuration Audit
- WoP 27 Maintainability
- Wop 28 Availability
- Wop 29 Electrical Supply
- WoP 30 System Integration Test
- WoP 31 Telecommunications
- WoP 34 Test Report
- WoP 36 Vote Recording Requirements
- WoP 39 Wireless Telecommunications
- Wop 40 System Level Stress Test
- WoP 41 Logic & Accuracy

**4.1.2 Rationale for ‘Not Applicable’ Requirements**

The EVS 5.0.0.0 System is a paper-based precinct counting system, with DRE functionality, which supports a transmission over public networks. Therefore, all EAC 2005 VVSG requirements, with the exceptions listed below, will be evaluated as part of this test campaign.

- Volume I Section 7.9 (Voter Verifiable Paper Audit Trail Requirements)

The rationale for not evaluating the EVS 5.0.0.0 System to the requirements contained in the indicated sections of the EAC 2005 VVSG is described in Table 4-1. Refer to the EAC online matrix tool for specific requirements that are excluded during this test campaign.

**Table 4-1 Not Applicable Requirements**

<b>EAC 2005 VVSG Volume I Section</b>	<b>Rationale for ‘Not Applicable’</b>
7.9	The EVS 5.0.0.0 System does not support VVPAT.

(The remainder of this page intentionally left blank)



#### 4.0 TEST SPECIFICATIONS (Continued)

#### 4.2 Hardware Configuration and Design

The ES&S EVS 5.0.0.0 System is a paper-based precinct voting system using touch-screen and scan technology to scan and validate ballots, provide voter-assisted ballots, and tabulate precinct results. The Election Management System is an application suite consisting of ElectionWare, Election Reporting Manager (ERM), Removable Media Service (RMS), ES&S Event Log Service (UELS), and VAT Previewer. The precinct counting device is the DS200. It is responsible for scanning, validating and tabulating voter ballots at the precinct level. EVS 5.0.0.0 contains multiple voter assistance terminals. It can be configured with either the AutoMARK Model A100/A200 or the ExpressVote to facilitate special needs voters. The DS850 is the high-speed digital scanner that processes large ballot batches at a central location.

In the ES&S EVS 5.0.0.0 System, all EMS functions are handled by proprietary software run on COTS PC/Laptops and Servers. Wyle has determined that these COTS PC/Laptops and Servers are not subject to the hardware test requirements per the EAC 2005 VVSG per “2007-05 Decision on Testing Focus and Applicability.” The provided PC/Laptops documented in Section 3, Materials Required For Testing, all contained CE, UL, and FCC labeling.

#### 4.3 Software System Functions

The ES&S 5.0.0.0 System software is comprised of multiple applications written in many languages. The system software is broken down into four areas: EMS, Precinct tabulator software acting as firmware, central count software running as firmware and ADA device software running as firmware. The main components and their subcomponents are as follows:

- ElectionWare (Java)
- ElectionWare/SQL
- ElectionWare PaperBallot
- ERM
- Event Log Service
- Removable Media Service
- DS200 – CoNG, HAL, PresentationLayer
- DS850 – CoNG, MCP, UI
- ExpressVote – AstroData, DiagnosticLogger, ESSAES256\_x86, ExpressVote, OperationLogger, startup
- AutoMark

#### 4.4 Test Case Design

Wyle uses the V-Model Life Cycle as defined by the Institute of Electrical and Electronics Engineers (IEEE). The IEEE definition of the V-Model Life Cycle uses two concepts “Verification” and “Validation.” Wyle’s test approach is to use both “Verification” and “Validation” to some degree. There are four basic levels of testing in the V-Model Life Cycle: Software, Component, Integration, System, and Acceptance. Wyle shall be evaluating the ES&S EVS 5.0.0.0 to all four levels.

(The remainder of this page intentionally left blank)

#### 4.0 TEST SPECIFICATIONS (Continued)

#### 4.4 Test Case Design (Continued)

##### 4.4.1 Hardware Qualitative Examination Design

ES&S submitted the results of previous testing in the form of the following test reports:

- Criterion Technology Test Report Number 091130-1503R, “EMC Qualification Test Report, Election Systems and Software, Digital Scan Central-Count Vote Tabulation System, DS200,” dated March 25, 2010.
- Criterion Technology Test Report Number 091014-1481, “EMC Qualification Test Report, Election Systems and Software, Digital Scan Central-Count Vote Tabulation System, DS850(i),” dated August 4, 2010.

Wyle performed a hardware qualitative examination to assess if the testing was performed under the guidelines of the EAC program, if the tests were performed per the EAC 2005 VVSG, and the scope of the engineering changes implemented since test performance. The results from this examination deemed that the majority of the previous test results could not be accepted for the current test campaign based on the following:

- Firmware versions could not be established.
- Evidence of operational status checks was not present
- Testing occurred prior to the establishment of the EAC program.
- Multiple revisions of firmware since testing had been performed.

Based on the results of the examination, the summary of acceptable testing is provided in Table 4-1. Wyle will verify all hardware during the PCA and those results will determine if the hardware is compliant with the previous tested versions. All testing that is deemed rejected shall be performed by Wyle personnel under this test campaign. The details of those tests are presented in Section 6.0.

(The remainder of this page intentionally left blank)

4.0 TEST SPECIFICATIONS (Continued)

4.4 Test Case Design (Continued)

4.4.1 Hardware Qualitative Examination Design (Continued)

**Table 4-1 Hardware Test Examination Results**

Test/EAC 2005 VVSG Section	Procedure/Description	EVS 5.0.0.0 System Component		
		DS200	DS850	AutoMARK
<i>Electromagnetic Radiation/4.1.2.9</i>	FCC Part 15 Class B for both radiated and conducted emissions	Accept	Accept	A100 12/06/10 A200 05/18/11 Wyle Labs
<i>Low Temperature/4.1.2.14</i>	MIL-STD-810D minimum temperature shall be -4 degrees F	Reject	N/A	Reject
<i>Vibration/4.1.2.14</i>	MIL-STD-810D, Meth0d 514.3 physical shock and vibration during handling and transport	Reject	N/A	Reject
<i>Lightning Surge/4.1.2.7</i>	IEC 61000-4-5 (1995-02)	Accept	Accept	A100 12/14/10 A200 05/26/11 Wyle Labs
<i>High Temperature/4.1.2.14</i>	MIL-STD-810D, Method 501.2 maximum temperature shall be 140 degrees F	Reject	N/A	Reject
<i>Bench Handling</i>	MIL-STD-810D, Method 516.3 Procedure VI six 4" drops on each edge totaling 24 drops	Reject	N/A	Reject
<i>Electrical Fast Transient/4.1.2.6</i>	IEC 61000-4-4 (2004)	Accept	Accept	A100 12/13/10 A200 05/27/11 Wyle Labs
<i>Humidity Test/4.1.2.14</i>	MIL-STD-810D, Method 501.2 ten 24 hour humidity cycles	Reject	N/A	Reject
<i>Electrostatic Disruption/4.1.2.8</i>	IEC 61000-4-2 (1995-01) 15kV air discharge and 8kV contact discharge	Accept	Accept	A100 12/09/10 A200 06/14/11 Wyle Labs
<i>Electromagnetic Susceptibility/4.1.2.10</i>	IEC 61000-4-3 (2006) electromagnetic field of 10V/m modulated by a 1kHz, 80% AM modulation at 80MHz to 1000MHz frequency	Accept	Accept	A100 12/16/10 A200 06/09/11 Wyle Labs
<i>Conducted RF Immunity/4.1.2.11</i>	IEC 61000-4-6 (1996-04) conducted radio frequency energy	Accept	Accept	A100 01/17/11 A200 08/05/11 Wyle Labs

(The remainder of this page intentionally left blank)

**4.0 TEST SPECIFICATIONS (Continued)**

**4.4 Test Case Design (Continued)**

**4.4.1 Hardware Qualitative Examination Design (Continued)**

**Table 4-1 Hardware Test Examination Results (Continued)**

Test/EAC 2005 VVSG Section	Procedure/Description	EVS 5.0.0.0 System Component		
		DS200	DS850	AutoMARK
<i>Magnetic Fields Immunity/4.1.2.12</i>	IEC 61000-4-8 (1993-06) AC magnetic fields of 30 A/m at 60Hz	Accept	Accept	A100 12/15/10 A200 06/13/11 Wyle Labs
<i>Electrical Power Disturbance/4.1.2.5</i>	IEC 61000-4-11 (1994-06) power surges and dips	Accept	Accept	A100 12/10/10 A200 06/01/11 Wyle Labs
<i>Temperature/Power Variation/4.1.2.13</i>	MIL-STD-810D, Method 502.2 and Method 501.2 163 hours at 50 degrees to 95 degrees	Reject	11/23/11 Wyle Labs	Reject
<i>Safety/4.3.8</i>	UL 60950-1 product safety review	Reject*	Accept	Reject*
<i>Maintainability/4.3.4</i>	The ease with which preventive maintenance actions can be performed	Reject	11/8/11 Wyle Labs	Reject
<i>Electrical Supply/4.1.2.4</i>	Meets voltage and power requirements of EAC 2005 VVSG Vol. 1 Section 4.1.2.4	Reject	11/8/11 Wyle Labs	Reject

\*Safety testing to be witnessed by Wyle at a third party laboratory

**4.4.1.1 Mapping of Requirements to Specific Interfaces**

Please refer to the EAC online matrix tool (VRT) for further reference.

**4.4.2 Hardware Environmental Test Case Design**

The ES&S EVS 5.0.0.0 System hardware shall be tested by Wyle’s EMI, Dynamics, and Environmental test facilities for testing to the hardware requirements in accordance with Wyle’s A2LA certifications 845.01-.03. All EMI testing shall be performed, per the following Wyle Test Guidelines Documents: EMI-001A, “Wyle Laboratories’ Test Guidelines for Performing Electromagnetic Interference (EMI) Testing,” and EMI-002A, “Test Procedure for Testing and Documentation of Radiated and Conducted Emissions Performed on Commercial Products.” These proprietary documents shall be submitted under separate cover for reference. All hardware testing shall be performed, per the guidelines of ANSI/NCSS Z540-1, “Calibration Laboratories and Measuring and Test Equipment, General Requirements,” and ISO 10012-1, “Quality Assurance Requirements for Measuring Equipment” and the governing MIL-STD to which the test is required. All pre/post tests shall be conducted by Wyle-qualified personnel at the Wyle Huntsville, AL, facility.

(The remainder of this page intentionally left blank)

#### 4.0 TEST SPECIFICATIONS (Continued)

#### 4.4 Test Case Design (Continued)

#### 4.4.3 Software Module Test Case Design and Data

Wyle implements Component Level Testing during the FCA for each component and subcomponent, exercising the functionality of each component and subcomponent as designed and documented. Wyle will utilize limited structural-based techniques (white-box testing) mainly in the area of Source Code Review, Compliance Builds and Security Testing and Review. Wyle will depend heavily on specification-based techniques (black-box testing) for the individual software components. The most common specification-based techniques applied to the ES&S EVS 5.0.0.0 System during the software testing portion of testing shall be “equivalence partitioning” and “boundary value testing.”

- “Equivalence Partitioning” shall be used to evaluate specific software functions and data entry points of the EVS 5.0.0.0 System for valid and invalid data during the FCA. For software functions and data entry points, an entry shall be made for a valid data requirement and at least one invalid data requirement to test for normal and abnormal conditions.
- “Boundary Value Testing” shall be used to evaluate specific software functions and data entry points for minimums and maximums during the FCA. For software functions and data entry points, an entry shall be made for all minimum and all maximum documented requirements to test for normal and abnormal conditions. This technique shall be used for numeric ranges as well as non-numeric ranges.

Wyle will document an expected result for each test. The ACCEPT/REJECT criteria at the Component Level will be based on the expected result. If the System Under Test (SUT) performs as expected, the results will be accepted. If the SUT does not perform as expected, the test will be evaluated for tester error. If it is determined there was no tester error, the test will be repeated in an attempt to reproduce the results. If the results can be reproduced and the expected results are not met, the SUT will have failed the test. If the results cannot be reproduced, the manufacturer and VSTL will determine the root cause of the error. After the root cause has been corrected and the test repeated, the SUT will have passed the test. Wyle will document the error and track the error through resolution. Wyle will not move to the next level of testing until all documented errors are resolved to try and minimize errors that might occur farther along in the test campaign. The engineering analysis will be performed to determine what effect the resolution has on the component. A determination will be made whether Regression Testing will be sufficient or a complete re-test is necessary.

Wyle will document the error and track the error through resolution. Wyle will not move to the next level of testing until all documented errors are resolved to try and minimize errors that might occur further along in the test campaign. The engineering analysis shall be performed to determine what effect the resolution has on the component. A determination shall be made whether regression testing shall be sufficient or a complete re-test is necessary.

(The remainder of this page intentionally left blank)

#### 4.0 TEST SPECIFICATIONS (Continued)

#### 4.4 Test Case Design (Continued)

##### 4.4.4 Software Functional Test Case Design and Data

Wyle implements Integration Level Testing primarily focusing on the interface between components and applications. The test approach to be used for the ES&S EVS 5.0.0.0 System shall be a bottom-up approach where the lower level components shall be tested first and then used to facilitate the testing of higher-level components. The specification-based technique used by Wyle at the Integration Level is “Use Case.” The actors that have been identified to use the ES&S EVS 5.0.0.0 System are the following:

- Election Administrator – the actor with responsibility of entering the election definition with translation and audio. This actor is also responsible for maintaining EMS users and the election database.
- Warehouse Technician – the actor responsible for loading the election definition onto DS200, AutoMARK VAT, ExpressVote, and DS850. This actor also runs diagnostic test and maintains the units.
- Poll Worker- the actor at the precinct location to set up and close down the DS200, AutoMARK VAT, ExpressVote, and DS850 on Election Day.
- Voter – the actor who physically casts the ballot on Election Day.
- ADA Voter – the actor with special needs who has to vote unassisted on Election Day.
- Election Official – the actor who reports and audits the election result post-Election Day.

“Use Case” shall be used during the FCA with a single pass through each component using only valid data. This pass shall be considered the “Master Copy” of data to be passed between interfacing points of applications during Integration level testing. If a component downstream in the test process needs data from previous processes, the “Master Copy” of data can be used or altered to accelerate the test process. Known tests that will utilize the “Master Copy” of data at the Integration Level are Security and Usability.

If an error occurs between data interfaces or in the process flow, an engineering analysis shall be performed to determine if the error is data, process, or tester error. The ACCEPT/REJECT criteria for Integration Level testing is whether the components and applications interface using the documented process for each actor. If there is an error interfacing between components, the error shall be documented and tracked through resolution. Engineering analysis shall be performed to determine what effect the resolution has on the component. A determination shall be made whether regression testing shall be sufficient or a complete re-test is necessary.

##### 4.4.5 System Level Test Case Design

During System Level Testing, Wyle will test the ability of proprietary software, proprietary hardware, proprietary peripherals, COTS software, COTS hardware, and COTS peripherals to function as a complete system in a configuration of the systems intended use. The ES&S EVS 5.0.0.0 System is intended to support both large and small jurisdictions. Wyle’s approach for the ES&S EVS 5.0.0.0 System shall be to execute System Level Testing with a variety of elections that include various combinations of jurisdictions, parties and styles of ballots.

(The remainder of this page intentionally left blank)

#### **4.0 TEST SPECIFICATIONS (Continued)**

#### **4.4 Test Case Design (Continued)**

#### **4.4.5 System Level Test Case Design (Continued)**

The ACCEPT/REJECT criteria for System Level testing is whether the system can continue in testing. The two scenarios are: ACCEPT or REJECT. 'ACCEPT' is either 1) if no errors are found, or 2) if an error is encountered but the system continues to operate and engineering analysis determines that the root cause does not affect testing. 'REJECT' if an error is encountered and the system is too unstable to continue or engineering analysis determines the root cause could affect further testing. If an error occurs during System Level Testing, the error shall be documented. If the ES&S EVS 5.0.0.0 System is able to recover and continue, the test will continue. If the error causes the system to become unstable, the test shall be halted. All errors documented during System Level Testing shall be tracked through resolution. The engineering analysis shall be performed to determine what effect the resolution has on the system. A determination shall be made by Wyle's senior level engineer whether regression testing shall be sufficient or a complete re-test is necessary.

Wyle implements Acceptance Level testing focusing on all the data collected during the entire test campaign along with performing the "Trusted Build" for the system. All data from pre-testing, hardware testing, software testing, functional testing, security testing, volume testing, stress testing, telecommunication testing, usability testing, accessibility testing, and reliability testing activities shall be combined to ensure all requirements that are supported by the ES&S EVS 5.0.0.0 System have been tested to the EAC 2005 VVSG. All requirements shall be checked against the test data to ensure the EAC 2005 VVSG requirements are met. Items not supported by the ES&S EVS 5.0.0.0 System shall be documented. Any issues documented during testing shall be resolved or annotated in the test report.

Wyle will test every EAC 2005 VVSG requirement supported by the ES&S EVS 5.0.0.0 System. Wyle will report all issues discovered during this test campaign to ES&S and the EAC. If Wyle determines there is not enough data to ensure a requirement was met, the test plan will be altered and further testing will be done. The EAC has the final decision as to whether the system meets all the requirements for an EAC-certified system. Wyle will either recommend approval, if the system meets all applicable sections of the VVSG or recommend disapproval if the system does not meet all applicable sections of the VVSG.

#### **4.5 Security Functions**

The purpose of the security testing shall be to evaluate the effectiveness of the EVS 5.0.0.0 System in detecting, preventing, logging, and recovering from any security risks identified by simulating attacks on the system. To accomplish this, Wyle has developed internal operating procedures to evaluate the ES&S EVS 5.0.0.0 System to the security requirements set forth in the EAC 2005 VVSG. These procedures have been specifically tailored to assess the ES&S EVS 5.0.0.0 System to the applicable requirements. Wyle will attempt to defeat the access controls and physical security measures documented in the ES&S technical data package. A threat matrix shall be created to determine the risks and vulnerabilities.

Wyle will utilize a combination of functional testing, source code review, and Fortify SCA to evaluate the EVS 5.0.0.0 System. Testing shall be performed by a qualified-security expert. Wyle will report all issues discovered during this test campaign to ES&S and the EAC. A report containing all findings shall be issued to the EAC as an addendum to the final test report.

(The remainder of this page intentionally left blank)

**4.0 TEST SPECIFICATIONS (Continued)**

**4.6 TDP Evaluation**

Wyle-qualified personnel will perform a comprehensive review of the ES&S TDP to determine compliance to the EAC 2005 VVSG, EAC requirements, and ES&S-specific requirements. Wyle-qualified personnel utilize a TDP Review Matrix which lists every EAC 2005 VVSG requirement pertaining to TDP review. Wyle-qualified personnel will record the results of the review of each document to the applicable requirements listed in the TDP Review Matrix.

During the TDP review process, each document shall be reviewed for completeness, clarity, and correctness, and continuity between the TDP documents. The review results shall be formally reported to ES&S for resolution. If a revised document is received, it shall be re-reviewed as discussed in this section. The TDP shall be continuously reviewed during the entire testing process as these documents shall be utilized to set up the systems, verify correct operational results and numerous other tests. At the end of the TDP review process, an Anomaly Report shall be issued listing the non-compliant items on a document-by-document basis. A listing of all documents contained in the ES& EVS 5.0.0.0 System TDP is provided in Table 4-2.

**Table 4-2 EVS 5.0.0.0 TDP Documents**

<b>EVS 5.0.0.0 TDP Documents</b>	<b>Version</b>	<b>Doc #</b>	<b>Document Code</b>
Voting System Overview	2.0	01-01	EVS5000_OVR00
<i><b>System Functionality Description</b></i>			
System Functionality Description – Voting System	1.0	02-01	EVS5000_SFD00
<i><b>System Hardware Specification</b></i>			
System Hardware Specification – DS850	1.0	03-01	EVS5000_SHS00_DS850
System Hardware Specification – DS200	1.0	03-02	EVS5000_SHS00_DS200
System Hardware Specification - ExpressVote	1.0	03-03	EVS5000_SHS00_ExpressVote
AutoMARK System Hardware Overview	3.0	03-04	AutoMARK_ESS_System_Hardware_Overview_AQS-18-5002-000-S
AutoMARK System Hardware Specification	3.0	03-05	AutoMARK_ESS_System_Hardware_Specification_AQS-18-5000-001-F
<i><b>Software Design and Specification</b></i>			
Software Design and Specification – ES&S Event Log Service	1.0	04-01	EVS5000_SDS00_UELS
Software Design and Specification - ElectionWare	2.0	04-02	EVS5000_SDS00_ElectionWare
Software Design and Specification – ERM	1.0	04-03	EVS5000_SDS00_ERM
Software Design and Specification – DS850	2.0	04-04	EVS5000_SDS00_DS850
Software Design and Specification – DS200	3.0	04-05	EVS5000_SDS00_DS200
Software Design and Specification – AutoMark	1.0	04-06	EVS5000_SDS00_AutoMARK SDS Overview
Software Design and Specification - ExpressVote	1.0	04-07	EVS5000_SDS00_ExpressVote



4.0 TEST SPECIFICATIONS (Continued)

4.6 TDP Evaluation (Continued)

**Table 4-2 EVS 5.0.0.0 TDP Documents (Continued)**

<b>EVS 5.0.0.0 TDP Documents</b>	<b>Version</b>	<b>Doc #</b>	<b>Document Code</b>
<i><b>System Test/Verification Specification</b></i>			
Voting System Test Plan	1.0	05-01	EVS5000_STP00
Test Cases - ElectionWare: Manage	2.13.2012	05-02	EVS5000_TC00_ElectionWare01_Manage
Test Cases - ElectionWare: Define	2.15.2012	05-03	EVS5000_TC00_ElectionWare02_Define
Test Cases - ElectionWare: Design	2.09.2012	05-04	EVS5000_TC00_Electionware03_Design
Test Cases - ElectionWare: Deliver	2.15.2012	05-05	EVS5000_TC00_Electionware04_Deliver
Test Cases - ElectionWare: Resolve	2.03.2012	05-06	EVS5000_TC00_Electionware05_Resolve
Test Cases - ERM	2.06.2012	05-07	EVS5000_TC00_ERM
Test Cases - DS850	2.15.2012	05-08	EVS5000_TC00_DS850
Test Cases - DS200	2.14.2012	05-09	EVS5000_TC00_DS200
Test Cases - AutoMARK	2.14.2012	05-10	EVS5000_TC00_AutoMARK
Test Cases - ExpressVote	2.15.2012	05-11	EVS5000_TC00_ExpressVote
<i><b>System Security Specification</b></i>			
<b>EVS 5.0.0.0 TDP Documents</b>	<b>Version</b>	<b>Doc #</b>	<b>Document Code</b>
System Security Specification	1.0	06-01	EVS5000_SSS00
AutoMARK System Security Specifications	4.0	06-02	AutoMARK ESS System Security Specification AQS-18-5002-001-S

(The remainder of this page intentionally left blank)

4.0 TEST SPECIFICATIONS (Continued)

4.6 TDP Evaluation (Continued)

**Table 4-2 EVS 5.0.0.0 TDP Documents (Continued)**

EVS 5.0.0.0 TDP Documents	Version	Doc #	Document Code
<i>System Operations Procedure</i>			
System Operations Procedures - UELS	1.0	07-01	EVS5000_SOP00_UELS
User's Guide- ElectionWare Admin	0.3	07-02	EVS5000_SOP00_ElectionWare02_Admin
User's Guide- ElectionWare Define	0.3	07-03	EVS5000_SOP00_ElectionWare02_Define
User's Guide - ElectionWare Design	0.3	07-04	EVS5000_SOP00_ElectionWare03_Design
User's Guide - ElectionWare Deliver	0.3	07-05	EVS5000_SOP00_ElectionWare04_Deliver
User's Guide - ElectionWare Results	0.3	07-06	EVS5000_SOP00_ElectionWare05_Results
User's Guide - ERM	1.0	07-07	EVS5000_SOP00_ERM
Operator's Guide - DS850	3.0	07-08	EVS5000_SOP00_DS850
Operator's Guide - DS200	1.0	07-09	EVS5000_SOP00_DS200
System Operations Procedures - AutoMARK	2.0	07-10	EVS5000_SOP00_AMVAT
Operator's Guide - ExpressVote	1.0	07-11	EVS5000_SOP00_ExpressVote
Network Configuration Guide	2.1	07-12	EVS5000_SOP00_NetworkConfigGuide
Wireless Network Configuration Guide	1.0	07-13	EVS5000_SOP00_WirelessNetworkConfigGuide
Dialup Network Configuration Guide	1.0	07-14	EVS5000_SOP00_DialupNetworkConfigGuide

(The remainder of this page intentionally left blank)

4.0 TEST SPECIFICATIONS (Continued)

4.6 TDP Evaluation (Continued)

Table 4-2 EVS 5.0.0.0 TDP Documents (Continued)

EV5 5.0.0.0 TDP Documents	Version	Doc #	Document Code
<i>System Maintenance Manuals</i>			
Maintenance Guide- DS850	1.0	08-01	EVS5000_SMM00_DS850
Maintenance Guide- DS200	1.0	08-02	EVS5000_SMM00_DS200
Maintenance Guide- AutoMARK	2.0	08-03	EVS5000_SMM00_AMVAT
Maintenance Guide - ExpressVote	1.0	08-04	EVS5000_SMM00_ExpressVote
<i>Personnel Deployment and Training</i>			
Personnel Deployment and Training Recommendations	1.0	09-01	U3400R1_TRN00_ESSTraining Requirements
Training Manual – Election Reporting Manager	12.13.2011	09-02	U3400R1_TRN00_ERM_PreElection

(The remainder of this page intentionally left blank)

**4.0 TEST SPECIFICATIONS (Continued)**

**4.6 TDP Evaluation (Continued)**

**Table 4-2 EVS 5.0.0.0 TDP Documents (Continued)**

<b>EVS 5.0.0.0 TDP Documents</b>	<b>Version</b>	<b>Doc #</b>	<b>Document Code</b>
Training Checklists	---	09-03	Multiple Documents
<b><i>Configuration Management Plan</i></b>			
ES&S Configuration Management Plan	2.0	10-1	U3400R1_CMP00
CM Plan Appendices	---	10-2	Multiple Documents
<b><i>QA Program</i></b>			
Quality Assurance Program (QAP) – Manufacturing	1.0	11-01	U3400R1_QAP00_MNF
ES&S ECO Policy and Procedures	1.0	11-02	EVS5000_QAP00_MN03_ECOPolicies and Procedures
QAP – Software and Firmware	1.0	11-03	U3400R1_QAP00_SWF
<b><i>Other TDP Documents</i></b>			
ES&S Ballot Production Guide	10.31.2011	13-01	U3400R1_ORPT02_BallotProduction Guide

**4.7 Source Code Review**

As part of the pre-testing activities the ES&S EVS 5.0.0.0 source code shall be reviewed to the EAC 2005 VVSG coding standards and the manufacturer-supplied coding standards. The review shall be conducted, per the guidelines described in the following paragraphs.

As the source code is received, a SHA1 hash value shall be created for each source code file. The source code team will then conduct a visual scan of every line of source code for an initial review and every line of modified source code for a re-review, for all languages other than Java. For applications written in Java, the vendor will have the option of choosing a traditional review or an automated source review for determining coding convention compliance. This is done to identify any violation of EAC 2005 VVSG coding standards or manufacturer-supplied coding standards. Each identified violation shall be recorded by making notes of the standards violation along with directory name, file name, and line number. A technical summary report of all identified standards violations shall be sent to ES&S for resolution. ES&S will then correct all standards violations and re-submit the source code for re-review. This process shall be repeated as many times as necessary, until all identified standards violations are corrected. All reports shall be included in an anomaly report for source code and submitted to the EAC and included in the final test report.

A “Compliance Build” shall be built by Wyle from the reviewed source code using the Compliance Build Procedure to build iterative builds throughout the test campaign. This process follows the documented procedure in the EAC Testing and Certification Program Manual, Version 1.0, effective date January 1, 2007 with two exceptions: The image products will not be submitted to the EAC, and no manufacturer representative shall be required to be present or on-site for these builds. The final step in the source code review shall be to create a “Trusted Build” from the reviewed source code.

(The remainder of this page intentionally left blank)

#### 4.0 TEST SPECIFICATIONS (Continued)

#### 4.7 Source Code Review (Continued)

The “Trusted Build” follows the steps below:

- Clean the build machine
- Retrieve the compliant source code
- Retrieve the installation media for OS, compilers, and build software
- Construct the build environment
- Create digital signatures of the build environment
- Load the compliant source code into the build environment
- Create a digital signature of the pre build environment
- Create a disk image of the pre-build environment
- Build executable code
- Create a digital signature of executable code
- Create a disk image of the post-build environment
- Build installation media
- Create a digital signature of the installation media
- Install executable code onto the system to validate the software/firmware
- Deliver source code with digital signature, disk image of pre-build environment with digital signatures, disk image of post-build environment with digital signatures, executable code with digital signatures, and installation media with signatures to EAC Approved Repository.

The “Trusted Build” for the ES&S EVS 5.0.0.0 System includes source code, data, and script files, in clear text form. The build also includes COTS software on commercially-available media, COTS software downloaded by the VSTL, COTS software verified by digital signature from the software supplier, and picture and sound files in binary format provided by ES&S. The first step of the process is to clean the hard drives by writing zeros to every spot on the hard drive, so the drive is cleared of existing data. The operating system will then be loaded and the applications from the VSTL reviewed source along with the VSTL verified COTS software shall be built. The final step is installing the applications on the hardware.

#### 4.8 QA and CM System Review

Both the ES&S QA Plan and CM Plan shall be reviewed to determine compliance with EAC 2005 VVSG Volume II Section 2, and Volume I, Sections 8 and 9, EAC stated requirements and with the requirements of the internal ES&S documentation. Also, the ES&S TDP documentation package shall be reviewed to determine if the ES&S QA Plan and the CM Plan are being followed. The results of the TDP review shall be entered on a spreadsheet as previously described in Section 4.6 of this test plan. The results of the TDP review, include the QA and CM compliance results of the Technical Data Package Review, will also be included in the final Test Report.

(The remainder of this page intentionally left blank)

## **5.0 TEST DATA**

### **5.1 Test Data Recording**

All equipment utilized for test data recording shall be identified in the test data package. For hardware environmental and operational testing, the equipment shall be listed on the Instrumentation Equipment Sheet for each test. The output test data shall be recorded in an appropriate manner as to allow for data analysis. For source code and TDP reviews, results shall be compiled in output reports and submitted to ES&S for resolution.

Additionally, all test results, including functional test data, shall be recorded on the relevant Wyle Laboratories' Operating Procedure and Test Cases. Results will also be recorded real-time in engineering log books. Incremental reports shall be submitted to ES&S and the EAC at the completion of major test areas to communicate progress and results as deemed necessary by the stakeholders.

### **5.2 Test Data Criteria**

Wyle will evaluate all test results against the ES&S-provided technical documentation for the EVS 5.0.0.0 System and the requirements set forth in the EAC 2005 VVSG. The EVS 5.0.0.0 System shall be evaluated for its performance against the EAC 2005 VVSG. The acceptable range for system performance and the expected results for each test case shall be derived from the EVS 5.0.0.0 System documentation and the 2005 VVSG. Per the EAC 2005 VVSG, these parameters shall encompass the test tolerances, the minimum number of combinations or alternatives of input and output conditions that can be exercised to constitute an acceptable test of the parameters involved, and the maximum number of interrupts, halts or other system breaks that may occur due to non-test conditions (excluding events from which recovery occurs automatically or where a relevant status message is displayed).

### **5.3 Test Data Reduction**

Test data shall be processed and recorded in the relevant Wyle Operating Procedures and Test Cases. Results will also be recorded real-time in engineering log books.

(The remainder of this page intentionally left blank)

## 6.0 TEST PROCEDURES AND CONDITIONS

The following subsections describe test procedures and a statement of the criteria by which readiness and successful completion shall be indicated and measured.

### 6.1 Facility Requirements

All testing shall be conducted at the Wyle Huntsville, AL facility unless otherwise annotated. The hardware environmental non-operating (storage) and operating testing shall be conducted, utilizing an adequately sized environmental test chamber or dynamic shaker system equipped with the required data gathering support equipment. All remaining operating hardware tests shall be conducted at the appropriate test site with the required support equipment. All instrumentation, measuring, and test equipment used in the performance of this test program shall be listed on the Instrumentation equipment Sheet for each test and shall be calibrated in accordance with Wyle Laboratories' Quality Assurance Program, which complies with the requirements of ANSI/NCSL Z540-1 and ISO 10012-1. Standards used in performing all calibrations are traceable to the National Institute of Standards and Technology (NIST) by report number and date. When no national standards exist, the standards are traceable to international standards or the basis for calibration is otherwise documented.

Unless otherwise specified herein, all remaining tests, including system level functional testing, shall be performed at standard ambient conditions:

- Temperature:  $25^{\circ}\text{C} \pm 10^{\circ}\text{C}$  ( $77^{\circ}\text{F} \pm 18^{\circ}\text{F}$ )
- Relative Humidity: 20 to 90%
- Atmospheric Pressure: Local Site Pressure

Unless otherwise specified herein, the following tolerances shall be used:

- Time  $\pm 5\%$
- Temperature  $\pm 3.6^{\circ}\text{F}$  ( $2^{\circ}\text{C}$ )
- Vibration Amplitude  $\pm 10\%$
- Vibration Frequency  $\pm 2\%$
- Random Vibration Acceleration
  - 20 to 500 Hertz  $\pm 1.5$  dB
  - 500 to 2000 Hertz  $\pm 3.0$  dB
- Random Overall grms  $\pm 1.5$  dB
- Acoustic Overall Sound Pressure Level  $+4/-2$  dB

### 6.2 Test Set-Up

All voting machine equipment (hardware and software) shall be received and documented, utilizing Wyle Receiving Ticket (WL-218, Nov'85) and proper QA procedures. When voting system hardware is received, Wyle Shipping and Receiving personnel will notify Wyle's QA personnel. With Wyle QA personnel present, each test article shall be unpacked and inspected for obvious signs of degradation and/or damage that may have occurred during transit. Noticeable degradation and/or damage, if present, shall be recorded, photographs shall be taken, and the ES&S Representative shall be notified. Wyle's QA personnel shall record the serial numbers and part numbers. Comparison shall be made between those numbers recorded and those listed on the shipper's manifest. Any discrepancies noted shall be brought to the attention of the ES&S Representative for resolution. TDP items, including all manuals, and all source code modules received shall be inventoried and maintained by the Wyle Project Engineer assigned to testing.

## 6.0 TEST PROCEDURES AND CONDITIONS

### 6.2 Test Set-Up (Continued)

For test setup, the system shall be configured as would for normal field use. This includes connecting all supporting equipment and peripherals. Wyle personnel will properly configure and initialize the system, and verify that it is ready to be tested, by following the procedures detailed in the EVS 5.0.0.0 System technical documentation. Wyle will develop an Operational Status Check to be performed prior to and immediately following each hardware test. Wyle will develop the system performance levels to be measured during operational tests.

Wyle has developed eight election definitions that could be used during this test campaign:

#### **Operational Status Check**

This election definition will exercise the operational status of the equipment, during the operational tests, and prior to and immediately following the non-operational hardware tests.

#### **General Election: GEN-01**

A basic election held in four precincts, one of which is a split precinct, containing nineteen contests compiled into four ballot styles. Five of the contests are in all four ballot styles. The other fifteen contests are split between at least two of the precincts with a maximum of four different contests spread across the four precincts. This election was designed to functionally test the handling of multiple ballot styles, support for at least two languages, support for common voting variations, and audio support for at least two languages.

- Closed Primary: No
- Open Primary: No
- Partisan Offices: Yes
- Non-Partisan Offices: Yes
- Write-in Voting: Yes
- Primary Presidential Delegation Nominations: No
- Ballot Rotation: No
- Straight Party Voting: Yes
- Cross-Party Endorsement: No
- Split Precincts: Yes
- Vote for N of M: Yes
- Recall Issues, with Options: No
- Cumulative Voting: No

(The remainder of this page intentionally left blank)



**6.0 TEST PROCEDURES AND CONDITIONS (Continued)**

**6.2 Test Set-Up (Continued)**

**General Election: GEN-01**

- Ranked Order Voting: No
- Provisional or Challenged Ballots: Yes
- Early Voting: No

This election was designed to functionally test the handling of multiple ballot styles, support for at least two languages, support for common voting variations, and audio support for at least two languages. Test Pattern 8 was chosen for audio input in an alternative language because it is a basic voting pattern using an ADA device. Test pattern 9 was chosen for audio input to demonstrate support for write-in voting using an ADA device. Test Pattern 3 was chosen for Spanish language input because it is a basic vote pattern using Spanish. Test Pattern 10 was chosen for Spanish language input because it exercises write-in using Spanish.

**General Election: GEN-02**

A basic election held in three precincts. This election contains fifteen contests compiled into three ballot styles. Ten of the contests are in all three ballot styles with the other five split across the three precincts. This election was designed to functionally test the handling of multiple ballot styles, support for ballot rotation, support for two languages, support for complex voting variations, and audio support for multiple languages.

- Closed Primary: No
- Open Primary: No
- Partisan Offices: Yes
- Non-Partisan Offices: Yes
- Write-in voting: Yes
- Primary Presidential Delegation Nominations: No
- Ballot Rotation: Yes
- Straight Party Voting: No
- Cross-Party Endorsement: No
- Split Precincts: No
- Vote for N of M: Yes
- Recall Issues, with Options: Yes
- Cumulative Voting: No
- Ranked Order Voting: Yes
- Provisional or Challenged Ballots: No
- Early Voting: Yes

This election was designed to functionally test the handling of multiple ballot styles, support for ballot rotation, support for two languages, support for complex voting variations, and audio support for multiple languages. The election shall be an early voting election with at least one machine running all precincts.

**6.0 TEST PROCEDURES AND CONDITIONS (Continued)**

**6.2 Test Set-Up (Continued)**

Voting options for overvoting and undervoting shall be exercised. Ballots 7 and 16 were selected for Spanish based language input. Ballots 13 and 17 were selected for casting of ballot using the ADA Audio capability.

**General Election: GEN-03**

A basic election held in two precincts. This election contains eight contests compiled into two ballot styles. Four of the contests are in both ballot styles. The other four contests are split between the two precincts.

This election was designed to functionally test the handling of multiple ballot styles, support for at least two languages, support for common voting variations, and audio support for at least three languages and an ADA binary input device.

- Closed Primary: No
- Open Primary: No
- Partisan Offices: Yes
- Non-Partisan Offices: Yes
- Write-in Voting: Yes
- Primary Presidential Delegation Nominations: No
- Ballot Rotation: No
- Straight Party voting: No
- Cross-Party Endorsement: No
- Split Precincts: No
- Vote for N of M: Yes
- Recall Issues, with Options: No
- Cumulative Voting: No
- Ranked Order Voting: No
- Provisional or Challenged Ballots: Yes
- Early Voting: No

This election was designed to functionally test the handling of multiple ballot styles, support for at least three languages including a character-based language, support for common voting variations, and audio support for at least three languages and an ADA binary input device. Test patterns 3 and 4 were chosen for input in the Spanish language because they are a basic voting pattern with a write-in. Test patterns 5 and 6 were chosen for audio input using the Spanish language to demonstrate support for write-in voting using an ADA device with an alternative language. Test pattern 7 was chosen for character-based language input because it is a basic vote pattern using Chinese. Test pattern 8 was chosen for character-based language using an ADA device to demonstrate support for character-based ADA device support. Test pattern 9 was chosen for binary input to show support for ADA binary input device. Test pattern 10 was chosen for binary input using ADA audio device to show support for binary input and ADA support.

(The remainder of this page intentionally left blank)

**6.0 TEST PROCEDURES AND CONDITIONS (Continued)**

**6.2 Test Set-Up (Continued)**

**Primary Election: PRIM-01**

An open primary election in two precincts, containing thirty contests compiled into five ballot styles. Each ballot style contains six contests. This election was designed to functionally test an open primary with multiple ballot styles, support for two languages, and support for common voting variations.

- Closed Primary: No
- Open Primary: Yes
- Partisan Offices: Yes
- Non-Partisan Offices: Yes
- Write-in Voting: Yes
- Primary Presidential Delegation Nominations: No
- Ballot Rotation: No
- Straight Party Voting: No
- Cross-Party Endorsement: No
- Split Precincts: Yes
- Vote for N of M: Yes
- Recall Issues, with Options: No
- Cumulative Voting: No
- Ranked Order Voting: No
- Provisional or Challenged Ballots: Yes
- Early Voting: No

This election designed to functionally test an open primary with multiple ballot styles, support for two languages, and support for common voting variations. Test patterns 5 and 18 are input in an alternative language. Test patterns 8 and 18 are input using an ADA audio device. These patterns were selected to exercise the write-in functionality in a primary election.

(The remainder of this page intentionally left blank)

**6.0 TEST PROCEDURES AND CONDITIONS (Continued)**

**6.2 Test Set-Up (Continued)**

**Primary Election: PRIM-02**

A basic election held in two precincts. This election contains thirteen contests compiled into three ballot styles. One contest is in all three ballot styles and all other contests are independent. This election was designed to functionally test the handling of multiple ballot styles, support for Primary presidential delegation nominations, support for two languages, support for complex voting variations, and audio support for multiple languages.

- Closed Primary: No
- Open Primary: Yes
- Partisan Offices: Yes
- Non-Partisan Offices: Yes
- Write-in Voting: Yes
- Primary Presidential Delegation Nominations: No
- Ballot Rotation: No
- Straight Party Voting: No
- Cross-Party Endorsement: Yes
- Split Precincts: No
- Vote for N of M: No
- Recall Issues, with Options: No
- Cumulative Voting: No
- Ranked Order Voting: No
- Provisional or Challenged Ballots: No
- Early Voting: No

This election was designed to functionally test the handling of multiple ballot styles, support for Primary presidential delegation nominations, support for two languages, support for complex voting variations, and audio support for multiple languages. The election shall be an open primary election with one machine running for each precinct. Voting options for Over-voting, Under-voting and write-in voting shall be exercised. Ballots 5 and 18 were selected for Spanish based language input. Ballots 8 and 17 were selected for casting of ballot using the ADA Audio capability.

(The remainder of this page intentionally left blank)

**6.0 TEST PROCEDURES AND CONDITIONS (Continued)**

**6.2 Test Set-Up (Continued)**

**Primary Election: PRIM-03**

A basic election held in two precincts. This election contains ten contests and is compiled into two ballot styles. Two of the contests are in both ballot styles. The other eight contests are split between the two parties' ballots. This election was designed to functionally test the handling of multiple ballot styles, support for at least two languages, support for common voting variations, and audio support for at least three languages and an ADA binary input device.

- Closed Primary: Yes
- Open Primary: No
- Partisan Offices: Yes
- Non-Partisan Offices: Yes
- Write-in Voting: Yes
- Primary Presidential Delegation Nominations: No
- Ballot Rotation: No
- Straight Party Voting: No
- Cross-Party Endorsement: No
- Split Precincts: No
- Vote for N of M: Yes
- Recall Issues, with Options: No
- Cumulative Voting: No
- Ranked Order Voting: No
- Provisional or Challenged Ballots: Yes
- Early Voting: No

This election was designed to functionally test the handling of multiple ballot styles, support for at least three languages including an Ideographic based language, support for common voting variations, and audio support for at least three languages and an ADA binary input device. Test patterns 3 and 4 were chosen for input in the Spanish language because it is a basic voting pattern with a write-in. Test patterns 5 and 6 were chosen for audio input using the Spanish language to demonstrate support for write-in voting using an ADA device with and alternative language. Test pattern 7 was chosen for Ideographic based language input because it is a basic vote pattern using Chinese. Test pattern 8 was chosen for character based language using an ADA device to demonstrate support for Ideographic based ADA device support. Test pattern 9 was chosen for binary input to show support for ADA binary input device. Test pattern 10 was chosen for binary input using ADA audio deceive to show support for binary input and ADA support.

Wyle has developed three special test cases and election definitions that shall be used during the analysis phase of ballot skew, mark recognition and logging requirements.

(The remainder of this page intentionally left blank)

## 6.0 TEST PROCEDURES AND CONDITIONS (Continued)

### 6.3 Test Sequence

The components of the EVS 5.0.0.0 System will undergo all applicable tests in the EAC 2005 VVSG. The following sections provide a list of each test, a brief description of each, and a location of each test. Wyle will utilize a combination of functional testing, source code review, and TDP reviews to evaluate the system performance. The list of tests is not in a specific sequence.

#### 6.3.1 Hardware Test Descriptions

Hardware tests are divided into two categories: Non-Operating and Operating. The Non-Operating tests are intended to simulate the storage and transport of equipment between the storage facility and the polling location. The Operating tests are intended to simulate conditions that the EUT may encounter during operation. Prior to and immediately following Non-Operating and Operating test, the EUT shall be subjected to an operational status check.

The Non-Operating tests include the following:

Low Temperature – This requirement addresses a range of tests for voting machines and precinct counters, as such devices are stored between elections and are transported between the storage facility and polling place, to meet specific minimum performance standards for low temperatures.

High Temperature – This test addresses a range of tests for voting machines and precinct counters, as such devices are stored between elections and are transported between the storage facility and polling place, to meet specific minimum performance standards for high temperature.

Humidity Test – This requirement addresses a range of tests for voting machines and precinct counters, as such devices are stored between elections and are transported between the storage facility and polling place, to meet specific minimum performance standards.

Vibration – This requirement addresses a range of tests for voting machines and precinct counters, as such devices are stored between elections and are transported between the storage facility and polling place, to meet specific minimum performance standards for vibration.

Bench Handling – The bench handling test simulates stresses faced during maintenance and repair of voting machines and ballot counters.

(The remainder of this page intentionally left blank)

## 6.0 TEST PROCEDURES AND CONDITIONS (Continued)

### 6.3 Test Sequence (Continued)

#### 6.3.1 Hardware Test Descriptions (Continued)

The Operating tests include the following:

Electromagnetic Radiation – This test verifies that radiated and conducted emissions from the voting system hardware do not exceed the allowable limits of Title 47CFR, Part 15, Class B. The test for electromagnetic radiation shall be conducted in compliance with the FCC Part 15 Class B requirements by testing per ANSI C63.4 (Volume II, Section 4.8.b).

Lightning Surge – This test demonstrates the voting system’s hardware to withstand power line lightning surges during normal operation. This test is equivalent to the procedure of IEC 61000-4-5. The test for lightning surge protection shall be conducted in compliance with the test specified in IEC 61000-4-5 (Volume II, Section 4.8.f).

Electrical Fast Transient – This test demonstrates the voting system’s hardware to withstand electrical fast transients during normal operation. This test is equivalent to the procedure of IEC 61000-4-4. The test for electrical fast transient protection shall be conducted in compliance with the test specified in IEC 61000-4-4 (Volume II, Section 4.8.e).

Electrostatic Disruption – This test demonstrates the voting system’s hardware to withstand electrostatic discharges during normal operation. This test is equivalent to the procedure of IEC 61000-4-2. The test for electrostatic disruption shall be conducted in compliance with the test specified in IEC 61000-4-2 (Volume II, Section 4.8.c).

Electromagnetic Susceptibility – This test demonstrates the voting system’s hardware to withstand radiated electromagnetic fields during normal operation. This test is equivalent to the procedure of IEC 61000-4-3. The test for electromagnetic susceptibility shall be conducted in compliance with the test specified in IEC 61000-4-3 (Volume II, Section 4.8.d.).

Conducted RF Immunity – This test demonstrates the voting system’s hardware ability to withstand conducted RF energy on power and I/O lines during normal operation. This test is equivalent to the procedure of IEC 61000-4-6. The test for conducted RF immunity shall be conducted in compliance with the test specified in IEC 61000-4-6 (Volume II, Section 4.8.g).

Magnetic Fields Immunity – This test demonstrates the voting system’s hardware ability to withstand Magnetic Fields during normal operation. This test is equivalent to the procedure of IEC 61000-4-8. The test for AC magnetic fields RF immunity shall be conducted in compliance with the test specified in IEC 61000-4-8 (Volume II, Section 4.8.h).

Electrical Power Disturbance – This test demonstrates the voting system’s hardware to withstand power disturbances during normal operation. This test is equivalent to the procedure of IEC 61000-4-11 (Volume I, Section 4.1.2.5). The test for power disturbance disruption shall be conducted in compliance with the test specified in IEC61000-4-11 (Volume II, Section 4.8.a).

Temperature Power Variation – The Environmental Test, Operating, subjects the system hardware to varying temperatures and voltages, demonstrating hardware/data recording accuracy reliability Mean-Time-Between-Failure (MTBF) of 163 hours.

## 6.0 TEST PROCEDURES AND CONDITIONS (Continued)

### 6.3 Test Sequence (Continued)

#### 6.3.1 Hardware Test Descriptions (Continued)

Maintainability – Maintainability represents the ease with which preventive and corrective maintenance actions can be performed based on the design characteristics of equipment and software and the processes the manufacturer and election officials have in place for preventing failures and for reacting to failures.

Electrical Supply – This requirement addresses the battery power source for providing electrical supply during a power failure.

Safety – a safety inspection shall be performed to verify that the EUT meets the following requirements for safety:

- a. All voting systems and their components shall be designed to eliminate hazards to personnel or to the equipment itself.
- b. Defects in design and construction that can result in personal injury or equipment damage must be detected and corrected before voting systems and components are placed into service.
- c. Equipment design for personnel safety shall be equal to or better than the appropriate requirements of the Occupational Safety and Health Act, Code of Federal Regulations, Title 29, Part 1910.

Safety testing shall be performed off-site at a third party laboratory with Wyle personnel witnessing.

#### 6.3.2 Software Test Description

The software tests include the following:

Source Code Compliance Review – Wyle Laboratories personnel will compare the source code to the manufacturer's software design documentation to ascertain how completely the software conforms to the manufacturer's specifications. Source code inspection shall also assess the extent to which the code adheres to the requirements in Section 5 of Volumes I and II.

Compliance Build of the EVS 5.0.0.0 System Software, Firmware, and Utilities– Before testing can begin a compliance build of all the applications shall be constructed by Wyle personnel using the build environment, build documentation and reviewed source code. This is to insure the software being tested is constructed from the same source code that was reviewed.

COTS Source Code Review – Unmodified, general purpose COTS non-voting software (e.g., operating systems, programming language compilers, data base management systems, and Web browsers) is not subject to the detailed examinations specified in this section. However, Wyle Laboratories personnel will examine such software to verify that the software has not been modified. Portions of COTS software that have been modified by the manufacturer in any manner are subject to review. Unmodified COTS software is not subject to code examination. However, source code generated by a COTS package and embedded in software modules for compilation or interpretation shall be provided in human readable form to Wyle Laboratories. Wyle Laboratories personnel may inspect COTS source code units to determine testing requirements or to verify the code is unmodified.



**6.0 TEST PROCEDURES AND CONDITIONS (Continued)**

**6.3 Test Sequence (Continued)**

**6.3.2 Software Test Description (Continued)**

Wyle Laboratories may inspect the COTS generated software source code in preparation of test plans and to provide some minimal scanning or sampling to check for embedded code or unauthorized changes. Otherwise, the COTS source code is not subject to the full code review and testing. For purposes of code analysis, the COTS units shall be treated as unexpanded macros.

Baseline of EMS Operating and Build Machine OS – Wyle will review the submitted NIST SCAP FDCC checklist for the EMS Operating System and Build Machine OS ES&S. The review shall be performed for completeness, clarity, and consistency.

Error Recovery Test – This shall be tested to ensure that unit is capable of recovering from a non-catastrophic failure of a device, or from any error or malfunction that is within the operator's ability to correct and restore the device gracefully from the failures. Testing will include powering units off while operating, disconnecting various cables and components to ensure operation once restored.

Security Source Code Review – The security source code review is a detailed review of the functionality of the source code that has been submitted. A manual line by line review shall be utilized, which can be augmented by an automated analysis of the source code. This examination is not for finding stylistic (coding convention) issues. It is performed to discover any issues that might lead to a security vulnerability.

Trusted Build – The trusted build is a process of converting the reviewed source code into machine-readable binary instructions for a computer. This test will follow Section 5.6 of the EAC Testing and Certification Program manual.

(The remainder of this page intentionally left blank)

**6.0 TEST PROCEDURES AND CONDITIONS (Continued)**

**6.3 Test Sequence (Continued)**

**6.3.2 Software Test Description (Continued)**

**Table 6-1 EVS 5.0.0.0 System Software Test Sequence**

<b>Test</b>	<b>Description</b>	<b>Procedure</b>	<b>Test Level</b>	<b>Specimen</b>
<i>Compliance Source Code Review (Pre-testing Activity)</i>	Source code review for compliance	WHVS07.2 WOP 5a	Component	Source Code
<i>Compliance Build</i>	Using the build documents and source code to construct the EMS	WHVS07.3 WOP 25	Component	Source Code
<i>Source Code COTS Review</i>	Source code review to examine 3 <sup>rd</sup> party products for modification and versions	WHVS07.2 WOP 5d	Component	COTS Source Code
<i>Baseline OS</i>	RFI 2008-03 OS Configuration	WHVS07.3 WOP 25	Component	NIST SCAP FDCC Checklist
<i>Source Code Functional Review</i>	Source code review for functionality and high level software design	WHVS07.2 WOP5b	Component & Integration	Source Code
<i>Source Code Security Review (manual – automated)</i>	Source code review for specific security concerns and an automated review using Fortify	WHVS07.2 WOP5d WOP 6a	Component & Integration	Source Code

(The remainder of this page intentionally left blank)

## 6.0 TEST PROCEDURES AND CONDITIONS (Continued)

### 6.3 Test Sequence (Continued)

#### 6.3.3 System Testing

Physical Configuration Audit – The Physical Configuration Audit compares the voting system components submitted for qualification to the manufacturer’s technical documentation, and shall include the following activities:

- Establish a configuration baseline of software and hardware to be tested; confirm whether manufacturer’s documentation is sufficient for the user to install, validate, operate, and maintain the voting system
- Verify software conforms to the manufacturer’s specifications; inspect all records of manufacturer’s release control system; if changes have been made to the baseline version, verify manufacturer’s engineering and test data are for the software version submitted for certification
- Review drawings, specifications, technical data, and test data associated with system hardware, if non-COTS, to establish system hardware baseline associated with software baseline
- Review manufacturer’s documents of user acceptance test procedures and data against system’s functional specifications; resolve any discrepancy or inadequacy in manufacturer’s plan or data prior to beginning system integration functional and performance tests
- Subsequent changes to baseline software configuration made during testing, as well as system hardware changes that may produce a change in software operation are subject to re-examination

Functional Configuration Audit – The functional configuration audit encompasses an examination of manufacturer’s tests, and the conduct of additional tests, to verify that the system hardware and software perform all the functions described in the manufacturer’s documentation submitted for the TDP. In addition to functioning according to the manufacturer’s documentation tests shall be conducted to insure all applicable EAC 2005 VVSG requirements are met. This testing is accomplished through a process called sequencing. Sequencing is the act of going through all paths presented to a user to verify that the system performs as described by the manufacturer and does not violate any of the VVSG requirements.

TDP Review – The technical data package must be submitted as a precondition of national certification testing. These items are necessary to define the product and its method of operation; to provide technical and test data supporting the manufacturer’s claims of the system’s functional capabilities and performance levels; and to document instructions and procedures governing system operation and field maintenance. Any information relevant to the system evaluation shall be submitted to include source code, object code, and sample output report formats.

Security Test – The security test is designed and performed to test the capabilities of the voting system against the requirements defined in Volume I, Section 7. These procedures shall focus on the ability of the system to detect, prevent, log, and recover from a broad range of security risks identified. This test will also examine system capabilities and safeguards claimed by ES&S in the TDP to go beyond these risks. The range of risks tested is determined by the design of the system and potential exposure to risk. Due to the use of public networking in the voting system, there will be an extensive examination of the defensive capabilities of the system. Wyle will examine these capabilities through a combination of reviewing documentation, source code, and configuration files. With the information gathered from this review, Wyle attempt to compromise the system using a series of penetration testing tools and methods. In addition, all key generation and signing operations will be examined to ensure that the system implements these safeguards properly.

## 6.0 TEST PROCEDURES AND CONDITIONS (Continued)

### 6.3 Test Sequence (Continued)

#### 6.3.3 System Testing (Continued)

Telecommunication Test – The telecommunication test focuses on system hardware and software function and performance for the transmission of data that is used to operate the system and report election results. This test applies to the requirements for Volume I, Section 6 of the EAC 2005 VVSG.

Usability/Accessibility – The usability test is a measure of the effectiveness, efficiency, and satisfaction achieved by a specified set of users with a given product in the performance of specified tasks. This test applies to the requirements for Volume I, Section 3 of the EAC 2005 VVSG.

System Integration – System Level certification test address the integrated operation of both hardware and software, along with any telecommunication capabilities. Compatibility of the voting system software components or subsystems with one another, and with other components of the voting system environment, shall be determined through functional tests integrating the voting system software with the remainder of the system.

Volume/Stress/Reliability – Tests to investigate the system's response to conditions that overload the system's capacity to process, store, and report data. The test parameters will focus on the system stated limits, or combination of limits, and the ballot logic for areas such as the maximum number of active voting positions, maximum number of ballot styles, maximum candidates, maximum contests, and stated limits within the EMS. This test shall be utilized to ensure the system can achieve the manufacturer's TDP claims of what the system can support. Testing shall be performed by exercising an election definition and test cases developed specifically to test for volume and stress conditions of the system being tested.

Each sub-component shall be subjected to the test as outlined in the EAC 2005 VVSG as follows:

- The EMS shall be subjected to overload conditions such as processing more than the expected number of ballots/voters per precinct and processing more than expected number of precincts.
- The DS200, DS850, ExpressVote and AutoMark shall be subjected to ballot processing at the high volume rates at which the equipment can be operated to evaluate software response to hardware-generated interrupts and wait states. They will also be subjected to various overload conditions.

Wyle will verify the audit log records for error and exception activity to verify proper documentation and recovery action for all functional tests performed. A detailed listing of all audit log entries shall be provided by ES&S. During testing, audit log entries shall be compared to this list to ensure that all expected events were recorded. To ensure the system's ability to gracefully shutdown and recover from error conditions, negative test cases shall be performed to introduce such error conditions. The error conditions introduced shall be based on the system limits specified within the vendors TDP documentation.

Accuracy – The accuracy test insures that each component of the voting system can each process 1,549,703 consecutive ballot positions correctly within the allowable target error rate. The Accuracy test is designed to test the ability of the system to “capture, record, store, consolidate and report” specific selections and absences of a selection. The required accuracy is defined as an error rate. This rate is the maximum number of errors allowed while processing a specified volume of data. For paper-based voting systems the ballot positions on a paper ballot must be scanned to detect selections for individual candidates and contests and the conversion of those selections detected on the paper ballot converted into digital data.

## 6.0 TEST PROCEDURES AND CONDITIONS (Continued)

### 6.3 Test Sequence (Continued)

#### 6.3.3 System Testing (Continued)

In an effort to achieve this and to verify the proper functionality of the units under test, the following methods will be used to test each component of the voting system:

The accuracy requirements for the DS200 will be met by the execution of three separate accuracy tests.

1. Stand-Alone Precinct Scanner – Tested by utilizing a combination of hand marked and pre-marked ballots to achieve accuracy rate greater than 1,549,703 correct ballot positions.
2. DS200 Wired Modem Capability – To transfer the results from the DS200 to EMS via a wired network correctly.
3. DS200 Wireless Capability – To transfer the results from the DS200 to EMS via a wireless network correctly.

The accuracy requirements for the DS850 will be met by the execution of two separate accuracy tests.

1. Stand-Alone Central Count Scanner - Tested by utilizing a combination of hand-marked and pre-marked ballots to achieve accuracy rate greater than 1,549,703 correct ballot positions.
2. DS850 Networked – To transfer the results from the DS850 to EMS via a network configuration.

The accuracy requirements for the ExpressVote will be met by the execution of two separate accuracy tests.

1. Stand-Alone Ballot Marking/Generating Device: Tested by generating a combination of generated ballots and marked ballots to achieve an accuracy rate greater than 1,549,703 correct ballot positions. The accuracy requirement will be verified by utilizing the DS200 to correctly read all the ballots produced by the ExpressVote.
2. Tethered Mode of Operation: Tested by generating a combination of generated ballots and marked ballots and utilizing the networked configuration to the DS200 to correctly read all the ballots produced by the ExpressVote in order to achieve an accuracy rate greater than 1,549,703 correct ballot positions.

System Integration – System Level certification test address the integrated operation of both hardware and software, along with any telecommunication capabilities. Compatibility of the voting system software components or subsystems with one another, and with other components of the voting system environment, shall be determined through functional tests integrating the voting system software with the remainder of the system.

Additionally, the system shall be configured exactly as it would for normal field use. This includes connecting all supporting equipment and peripherals including ballot boxes, voting booths (regular and accessible), and any physical security equipment such as locks and ties. Wyle personnel will properly configure and test the system by following the procedures detailed in the EVS 5.0.0.0 System technical documentation.

Regression Testing – Regression Testing will be performed on all system components to verify all firmware modifications that occurred during the test campaign did not cause a failure in other parts of the system.

6.0 TEST PROCEDURES AND CONDITIONS (Continued)

6.3 Test Sequence (Continued)

6.3.3 System Testing (Continued)

**Table 6-2 EVS 5.0.0.0 System Testing Sequence**

Test	Description	Procedure	Test Level	Specimen	Election Data
<i>Technical Data Package (TDP) Review</i>	Documentation review for compliance, correctness, and completeness	WHVS07.1 WoP 3	Document	TDP package	---
<i>Physical Configuration Audit</i>	Audit hardware and software models and versions	WHVS07.3 WoP 25	Component & System	System hardware and software	---
<i>Functional Configuration Audit</i>	Functional testing to the system documentation and EAC 2005 VVSG requirements	WHVS07.4 WoP 26 WoP30a	Component & Integration	System	Gen-01 Prim-01
<i>Telecommunication</i>	Test of telecommunication technology of the system for accuracy and correctness	WHVS07.6 WoP 31	Integration & System	System	Gen-01 Volume & Stress
<i>Usability/ Accessibility</i>	Testing to the system documentation and EAC 2005 VVSG requirements	WOP 22 WOP 24-1 WOP 24-1a WOP 24-1b WOP 24-1c WOP 24-1d WOP 24-1f WOP 24-1g WOP 24-2 WOP 24-2a WOP 24-2b WOP 24-2c WOP 24-2d WOP 24-2e WOP 24-2f	Integration	System	Gen-01 Prim-01
<i>Volume, Stress, &amp; Reliability Test</i>	Test to investigate the system's response to larger amounts of data than it is expecting.	WoP 40	System	System	Volume and Stress Election
<i>Security</i>	Assess the system to the 2005 VVSG requirements and execute basic system security tests.	WHVS07.7 WoP 6 WoP 6a WoP 6b WoP 6c WoP 6d	Integration & System	System	Gen-01 Prim -01

6.0 TEST PROCEDURES AND CONDITIONS (Continued)

6.3 Test Sequence (Continued)

6.3.3 System Testing (Continued)

Table 6-2 EVS 5.0.0.0 System Testing Sequence (Continued)

Test	Description	Procedure	Test Level	Specimen	Election Data
<i>Accuracy</i>	Test of accuracy to ~1.6 million ballot positions per component	WHVS07.9 WoP 41	System	System	L&A Election
<i>System Integration Test</i>	Test of all system hardware, software and peripherals.	WoP 30	System	System	Gen-01-03 Prim-01-03
<i>Trusted Build</i>	Creation and installation of the final system software	WHVS07.6 WoP 7 WoP 7a	Component	System software	EVS 5.0.0.0 Source Code Package

(The remainder of this page intentionally left blank)

**7.0 TEST OPERATIONS PROCEDURES**

**7.1 Proprietary Data**

All proprietary data that is marked shall be distributed only to those persons that the manufacturer or EAC identifies as needing the information to conduct of qualification testing. The manufacturer is required to mark all proprietary documents as such. All organizations and individuals receiving proprietary documents will ensure those documents are not available to non-authorized persons.

(The remainder of this page intentionally left blank)



**APPENDIX A**  
**ES&S PROJECT SCHEDULE**

**Page No. A- 2 of 11**  
**Certification Test Plan T59087.01**

ID	Task Name	Duration	Start	Finish	Predecessors	Jan 17,	
						M	T
1	✓ EAC Application	1 day	Tue 11/22/11	Tue 11/22/11			
2	✓ EAC Kickoff Meeting	2 days	Tue 1/18/11	Wed 1/19/11			
3	<b>Technical Data Package Review</b>	<b>159 days</b>	<b>Mon 11/28/11</b>	<b>Wed 7/18/12</b>			
4	Partial Document Submission	1 day	Mon 11/28/11	Mon 11/28/11			
5	✓ Document Review for Test Plan Requirements	15 days	Tue 11/29/11	Mon 12/19/11	4		
6	✓ Full TDP SUBMISSION	1 day	Fri 12/16/11	Fri 12/16/11			
7	TDP Review for VVSG Requirements	135 days	Mon 12/19/11	Thu 7/5/12	6		
8	TDP Final Report to ES&S	2 days	Fri 7/6/12	Mon 7/9/12	7		
9	ES&S Final Review of Report and Correct Documets	5 days	Tue 7/10/12	Mon 7/16/12	8		
10	Final Report TDP Review	2 days	Tue 7/17/12	Wed 7/18/12	9		
11	<b>Source Code Review</b>	<b>58 days?</b>	<b>Mon 11/28/11</b>	<b>Mon 2/27/12</b>			
12	✓ Submission of ES&S Coding Standards	1 day	Mon 11/28/11	Mon 11/28/11			
13	<b>Wyle Review</b>	<b>58 days?</b>	<b>Mon 11/28/11</b>	<b>Mon 2/27/12</b>			
14	<b>EMS Source Code Review</b>	<b>29 days?</b>	<b>Wed 1/11/12</b>	<b>Mon 2/27/12</b>			
15	<b>ExpressVote</b>	<b>15.94 days?</b>	<b>Fri 1/13/12</b>	<b>Fri 2/10/12</b>			
16	ExpressVote	0 days?	Fri 2/10/12	Fri 2/10/12			
17	Wyle Source Code Review	13 days	Fri 1/13/12	Tue 2/7/12			
18	Wyle Report	1 day	Wed 2/8/12	Wed 2/8/12	17		
19	Manufacturer Review	1 day	Thu 2/9/12	Thu 2/9/12	18		
20	<b>ElectionWare 4.1.0.0</b>	<b>11 days</b>	<b>Mon 2/13/12</b>	<b>Mon 2/27/12</b>			
21	Wyle Source Code Review	9 days	Mon 2/13/12	Thu 2/23/12	17		
22	Wyle Report	1 day	Fri 2/24/12	Fri 2/24/12	21		
23	Manufacturer Review	1 day	Mon 2/27/12	Mon 2/27/12	22		
24	<b>Shared Utilities</b>	<b>21 days</b>	<b>Wed 1/11/12</b>	<b>Wed 2/15/12</b>			
25	✓ Wyle Source Code Review	18 days	Wed 1/11/12	Mon 2/13/12			
26	Wyle Report	1 day	Tue 2/14/12	Tue 2/14/12	25		

Project: ES&S EVS 5.0.0.0 Rev3 Date: Tue 3/6/12	Task		External Milestone		Manual Summary Rollup	
	Split		Inactive Task		Manual Summary	
	Milestone		Inactive Milestone		Start-only	
	Summary		Inactive Summary		Finish-only	
	Project Summary		Manual Task		Deadline	
	External Tasks		Duration-only		Progress	

Page 1

**Page No. A- 3 of 11**  
**Certification Test Plan T59087.01**

ID	Task Name	Duration	Start	Finish	Predecessors	Jan 17	
						M	T
27	Manufacturer Review	1 day	Wed 2/15/12	Wed 2/15/12	26		
28	<b>Election Reporting Manager (ERM) 8.6.0.0</b>	<b>21 days</b>	<b>Wed 1/11/12</b>	<b>Wed 2/15/12</b>			
29	Wyle Source Code Review	18 days	Wed 1/11/12	Mon 2/13/12			
30	Wyle Report	1 day	Tue 2/14/12	Tue 2/14/12	29		
31	Manufacturer Review	1 day	Wed 2/15/12	Wed 2/15/12	30		
32	<b>DS850</b>	<b>7 days</b>	<b>Tue 1/24/12</b>	<b>Wed 2/1/12</b>			
33	Wyle Source Code Review	5 days	Tue 1/24/12	Mon 1/30/12			
34	Wyle Report	1 day	Tue 1/31/12	Tue 1/31/12	33		
35	Manufacturer Review	1 day	Wed 2/1/12	Wed 2/1/12	34		
36	<b>Removable Media Services (RMS) 1.4.0.0</b>	<b>4 days</b>	<b>Fri 1/13/12</b>	<b>Wed 1/25/12</b>			
37	Wyle Source Code Review	2 days	Fri 1/13/12	Thu 1/19/12			
38	Wyle Report	1 day	Tue 1/24/12	Tue 1/24/12	37		
39	Manufacturer Review	1 day	Wed 1/25/12	Wed 1/25/12	38		
40	<b>ES&amp;S Event Log Services (UELS) 1.4.0.0</b>	<b>4 days</b>	<b>Fri 1/13/12</b>	<b>Wed 1/25/12</b>			
41	Wyle Source Code Review	2 days	Fri 1/13/12	Thu 1/19/12			
42	Wyle Report	1 day	Tue 1/24/12	Tue 1/24/12	41		
43	Manufacturer Review	1 day	Wed 1/25/12	Wed 1/25/12	42		
44	<b>AutoMARK</b>	<b>4 days</b>	<b>Tue 1/24/12</b>	<b>Fri 1/27/12</b>			
45	Wyle Source Code Review	2 days	Tue 1/24/12	Wed 1/25/12	41		
46	Wyle Report	1 day	Thu 1/26/12	Thu 1/26/12	45		
47	Manufacturer Review	1 day	Fri 1/27/12	Fri 1/27/12	46		
48	<b>DS200</b>	<b>4 days</b>	<b>Tue 1/24/12</b>	<b>Fri 1/27/12</b>			
49	Wyle Source Code Review	2 days	Tue 1/24/12	Wed 1/25/12			
50	Wyle Report	1 day	Thu 1/26/12	Thu 1/26/12	49		
51	Manufacturer Review	1 day	Fri 1/27/12	Fri 1/27/12	50		
52	Hardware Source Code Review	1 day	Mon 11/28/11	Mon 11/28/11			

Project: ES&S EVS 5.0.0.0 Rev3 Date: Tue 3/6/12	Task		External Milestone		Manual Summary Rollup	
	Split		Inactive Task		Manual Summary	
	Milestone		Inactive Milestone		Start-only	
	Summary		Inactive Summary		Finish-only	
	Project Summary		Manual Task		Deadline	
	External Tasks		Duration-only		Progress	

Page 2

**Page No. A- 4 of 11**  
**Certification Test Plan T59087.01**

ID	Task Name	Duration	Start	Finish	Predecessors	Jan 17	
						M	T
53	<b>Test Plan</b>	<b>97 days</b>	<b>Mon 11/28/11</b>	<b>Fri 4/20/12</b>			
54	Receive Documentation	5 days	Mon 11/28/11	Fri 12/2/11			
55	Draft Test Plan	30 days	Mon 12/5/11	Wed 1/25/12	54		
56	Draft Test Plan Reviewed by ES&S	3 days	Wed 1/25/12	Fri 1/27/12	55		
57	Wyle/ES&S Review of Test Plan	5 days	Mon 1/30/12	Fri 2/3/12	56		
58	Draft Test Plan Update	11 days	Mon 2/6/12	Mon 2/20/12	57		
59	Test Plan to EAC	1 day	Tue 2/21/12	Tue 2/21/12	58		
60	EAC Review	20 days	Wed 2/22/12	Tue 3/20/12	59		
61	Review TR's Comments	10 days	Wed 3/21/12	Tue 4/3/12	60		
62	Revise Test Plan	2 days	Wed 4/4/12	Thu 4/5/12	61		
63	Re Submit Test Plan to EAC	1 day	Fri 4/6/12	Fri 4/6/12	62		
64	Test Plan Approved by EAC	10 days	Mon 4/9/12	Fri 4/20/12	63		
65	<b>EMS ElectionWare Training at Wyle</b>	<b>5 days</b>	<b>Mon 2/13/12</b>	<b>Fri 2/17/12</b>			
66	<b>Network Setup</b>	<b>23 days</b>	<b>Tue 1/31/12</b>	<b>Thu 3/1/12</b>			
67	Initial Hardening and Network setup	3 days	Tue 1/31/12	Fri 2/3/12			
68	Final Hardening and Network setup	3 days	Tue 2/28/12	Thu 3/1/12			
69	<b>Build Review</b>	<b>18 days</b>	<b>Thu 3/15/12</b>	<b>Mon 4/9/12</b>			
70	<b>Wyle Review</b>	<b>18 days</b>	<b>Thu 3/15/12</b>	<b>Mon 4/9/12</b>			
71	EMS Source Code Review	18 days	Thu 3/15/12	Mon 4/9/12			
72	ExpressVote	2 days	Thu 3/15/12	Fri 3/16/12			
73	Wyle Build Review	2 days	Thu 3/15/12	Fri 3/16/12			
74	ElectionWare 4.1.0.0	2 days	Mon 3/19/12	Tue 3/20/12			
75	Wyle Build Review	2 days	Mon 3/19/12	Tue 3/20/12	73		
76	Shared Utilities	2 days	Wed 3/21/12	Thu 3/22/12			
77	Wyle Build Review	2 days	Wed 3/21/12	Thu 3/22/12	75		
78	Election Reporting Manager (ERM) 8.6.0.0	2 days	Fri 3/23/12	Mon 3/26/12			

Project: ES&S EVS 5.0.0.0 Rev3 Date: Tue 3/6/12	Task		External Milestone		Manual Summary Rollup	
	Split		Inactive Task		Manual Summary	
	Milestone		Inactive Milestone		Start-only	
	Summary		Inactive Summary		Finish-only	
	Project Summary		Manual Task		Deadline	
	External Tasks		Duration-only		Progress	

Page 3

**Page No. A- 5 of 11**  
**Certification Test Plan T59087.01**

ID	Task Name	Duration	Start	Finish	Predecessors	Jan 17	
						M	T
79	Wyle Build Review	2 days	Fri 3/23/12	Mon 3/26/12	77		
80	<b>DS850</b>	<b>2 days</b>	<b>Tue 3/27/12</b>	<b>Wed 3/28/12</b>			
81	Wyle Build Review	2 days	Tue 3/27/12	Wed 3/28/12	79		
82	<b>Removable Media Services (RMS) 1.4.0.0</b>	<b>2 days</b>	<b>Thu 3/29/12</b>	<b>Fri 3/30/12</b>			
83	Wyle Build Review	2 days	Thu 3/29/12	Fri 3/30/12	81		
84	<b>ES&amp;S Event Log Services (UELS) 1.4.0.0</b>	<b>2 days</b>	<b>Mon 4/2/12</b>	<b>Tue 4/3/12</b>			
85	Wyle Build Review	2 days	Mon 4/2/12	Tue 4/3/12	83		
86	<b>AutoMARK</b>	<b>2 days</b>	<b>Wed 4/4/12</b>	<b>Thu 4/5/12</b>			
87	Wyle Build Review	2 days	Wed 4/4/12	Thu 4/5/12	85		
88	<b>DS200</b>	<b>2 days</b>	<b>Fri 4/6/12</b>	<b>Mon 4/9/12</b>			
89	Wyle Build Review	2 days	Fri 4/6/12	Mon 4/9/12	87		
90	<b>Physical Configuration Audit</b>	<b>28 days</b>	<b>Tue 1/10/12</b>	<b>Thu 2/23/12</b>			
91	<b>PCA Hardware Configuration</b>	<b>18 days</b>	<b>Tue 1/10/12</b>	<b>Thu 2/9/12</b>			
92	PCA Initial Hardware Submitted	1 day	Tue 1/10/12	Tue 1/10/12			
93	PCA Initial Hardware Photographed	5 days	Tue 1/24/12	Mon 1/30/12			
94	PCA Proprietary Initial Hardware Verification Against CM	2 days	Tue 1/31/12	Wed 2/1/12	93		
95	PCA COTS Initial Hardware Verification Against CM	1 day	Thu 2/2/12	Thu 2/2/12	94		
96	PCA Hardware Discrepancy Resolution	1 day	Fri 2/3/12	Fri 2/3/12	95		
97	PCA Report Hardware	4 days	Mon 2/6/12	Thu 2/9/12	96		
98	<b>PCA SCAP Checklist (Baseline of OS)</b>	<b>23 days</b>	<b>Tue 1/24/12</b>	<b>Thu 2/23/12</b>			
99	Research FDCC for all OS and Server for System (work with EAC)	4 days	Tue 1/24/12	Fri 1/27/12			
100	Submit Benchmark Checklist to Manufacturer	1 day	Mon 1/30/12	Mon 1/30/12	99		
101	Manufacturer Review	5 days	Tue 1/31/12	Mon 2/6/12	100		
102	Analysis Manufacturers Response	8 days	Tue 2/7/12	Thu 2/16/12	101		
103	Report to Manufacturer Any Discrepancies	1 day	Fri 2/17/12	Fri 2/17/12	102		
104	Re-Analysis Checklist with Manufacture	3 days	Mon 2/20/12	Wed 2/22/12	103		

Project: ES&S EVS 5.0.0.0 Rev3 Date: Tue 3/6/12	Task		External Milestone		Manual Summary Rollup	
	Split		Inactive Task		Manual Summary	
	Milestone		Inactive Milestone		Start-only	
	Summary		Inactive Summary		Finish-only	
	Project Summary		Manual Task		Deadline	
	External Tasks		Duration-only		Progress	

Page 4

**Page No. A- 6 of 11**  
**Certification Test Plan T59087.01**

ID	Task Name	Duration	Start	Finish	Predecessors	Jan 17	
						M	T
105	Report to EAC VSTL Findings	1 day	Thu 2/23/12	Thu 2/23/12	104		
106	<b>Create Build Enviroments</b>	<b>4 days</b>	<b>Tue 1/24/12</b>	<b>Fri 1/27/12</b>			
107	EMS	1 day	Tue 1/24/12	Tue 1/24/12			
108	DS200 Ancillary PM/Scanner	1 day	Wed 1/25/12	Wed 1/25/12	107		
109	AutoMARK	1 day	Thu 1/26/12	Thu 1/26/12	108		
110	ExpressVote	1 day	Fri 1/27/12	Fri 1/27/12	109		
111	<b>Compliance Builds</b>	<b>3 days</b>	<b>Mon 3/26/12</b>	<b>Wed 3/28/12</b>			
112	EMS	<b>1 day</b>	<b>Mon 3/26/12</b>	<b>Mon 3/26/12</b>			
113	ElectionWare 4.1.0.0	1 day	Mon 3/26/12	Mon 3/26/12	20		
114	Election Reporting Manager (ERM) 8.6.0.0	1 day	Mon 3/26/12	Mon 3/26/12	28		
115	Removable Media Services (RMS) 1.3.1.0	1 day	Mon 3/26/12	Mon 3/26/12	36		
116	ES&S Event Log Services (UELS) 1.4.0.0	1 day	Mon 3/26/12	Mon 3/26/12			
117	AutoMARK	<b>3 days</b>	<b>Mon 3/26/12</b>	<b>Wed 3/28/12</b>			
118	VAT	1 day	Mon 3/26/12	Mon 3/26/12	44		
119	VAT Preview 1.8.1.0	1 day	Wed 3/28/12	Wed 3/28/12	118		
120	DS200 Ancillary Devices PM/Scanner	1 day	Wed 3/28/12	Wed 3/28/12	48		
121	DS200	1 day	Wed 3/28/12	Wed 3/28/12			
122	DS850	1 day	Wed 3/28/12	Wed 3/28/12	32		
123	EXpressVote	1 day	Wed 3/28/12	Wed 3/28/12	15		
124	<b>Hardware Testing</b>	<b>123 days</b>	<b>Mon 11/28/11</b>	<b>Mon 5/28/12</b>			
125	DS850	1 day	Thu 3/29/12	Thu 3/29/12			
126	Hardware Reivew of Required Tests based on ECO changes	1 day	Thu 3/29/12	Thu 3/29/12	122		
127	DS200	<b>101 days</b>	<b>Mon 11/28/11</b>	<b>Thu 4/26/12</b>			
128	Hardware Reivew of Required Operational Tests based on ECO changes	1 day	Mon 11/28/11	Mon 11/28/11			
129	Bench Handling	1 day	Tue 4/3/12	Tue 4/3/12			
130	Vibration	2 days	Wed 4/4/12	Thu 4/5/12	129		

Project: ES&S EVS 5.0.0.0 Rev3 Date: Tue 3/6/12	Task		External Milestone		Manual Summary Rollup	
	Split		Inactive Task		Manual Summary	
	Milestone		Inactive Milestone		Start-only	
	Summary		Inactive Summary		Finish-only	
	Project Summary		Manual Task		Deadline	
	External Tasks		Duration-only		Progress	

Page 5

**Page No. A- 7 of 11**  
**Certification Test Plan T59087.01**

ID	Task Name	Duration	Start	Finish	Predecessors	Jan 17	
						M	T
131	Low Temperature	1 day	Fri 4/6/12	Fri 4/6/12	130		
132	High Temperature	1 day	Mon 4/9/12	Mon 4/9/12	131		
133	Humidity	12 days	Tue 4/10/12	Wed 4/25/12	132		
134	Electrical Power Supply (2 hour Battery Backup)	1 day	Thu 4/26/12	Thu 4/26/12	133		
135	Product Safety	4 days	Thu 3/29/12	Tue 4/3/12			
136	Maintainability	5 days	Wed 4/4/12	Tue 4/10/12	135		
137	AutoMARK (A100, A200)	28 days	Thu 3/29/12	Mon 5/7/12			
138	Bench Handling	1 day	Fri 4/6/12	Fri 4/6/12	130		
139	Vibration	2 days	Mon 4/9/12	Tue 4/10/12	138		
140	Low Temperature	1 day	Fri 4/6/12	Fri 4/6/12			
141	High Temperature	1 day	Mon 4/9/12	Mon 4/9/12	140		
142	Humidity	12 days	Tue 4/10/12	Wed 4/25/12	141		
143	Electrical Power Supply (2 hour Battery Backup)	1 day	Thu 4/26/12	Thu 4/26/12	142		
144	Acoustic	2 days	Fri 4/27/12	Mon 4/30/12	143		
145	Product Safety	5 days	Thu 3/29/12	Wed 4/4/12			
146	Maintainability	5 days	Thu 4/5/12	Wed 4/11/12	145		
147	ExpressVote	25 days	Tue 4/3/12	Mon 5/7/12			
148	Electrical Power Disturbance (Vol. 1, 4.1.2.5)	2 days	Tue 4/3/12	Wed 4/4/12			
149	Electrical Fast Transient (Vol. 1, 4.1.2.6)	2 days	Thu 4/5/12	Fri 4/6/12	148		
150	Lightning Surge (Vol. 1, 4.1.2.7)	2 days	Mon 4/9/12	Tue 4/10/12	149		
151	Electrostatic Disruption (Vol. 1, 4.1.2.8)	2 days	Wed 4/11/12	Thu 4/12/12	150		
152	Electromagnetic Emissions (FCC)(Vol. 1, 4.1.2.9)	2 days	Fri 4/13/12	Mon 4/16/12	151		
153	Electromagnetic Susceptibility (Vol. 1, 4.1.2.10)	2 days	Tue 4/17/12	Wed 4/18/12	152		
154	Conducted RF Immunity (Vol. 1, 4.1.2.11)	2 days	Thu 4/19/12	Fri 4/20/12	153		
155	Magnetic Fields Immunity (Vol. 1, 4.1.2.12)	2 days	Mon 4/23/12	Tue 4/24/12	154		
156	Bench Handling	1 day	Wed 4/11/12	Wed 4/11/12	139		

Project: ES&S EVS 5.0.0.0 Rev3 Date: Tue 3/6/12	Task		External Milestone		Manual Summary Rollup	
	Split		Inactive Task		Manual Summary	
	Milestone		Inactive Milestone		Start-only	
	Summary		Inactive Summary		Finish-only	
	Project Summary		Manual Task		Deadline	
	External Tasks		Duration-only		Progress	

Page 6

**Page No. A- 8 of 11**  
**Certification Test Plan T59087.01**

ID	Task Name	Duration	Start	Finish	Predecessors	Jan 17	
						M	T
157	Vibration	2 days	Thu 4/12/12	Fri 4/13/12	156		
158	Low Temperature	1 day	Fri 4/6/12	Fri 4/6/12			
159	High Temperature	1 day	Mon 4/9/12	Mon 4/9/12	158		
160	Humidity	12 days	Tue 4/10/12	Wed 4/25/12	159		
161	Electrical Power Supply (2 hour Battery Backup)	1 day	Thu 4/26/12	Thu 4/26/12	160		
162	Acoustic	2 days	Fri 4/27/12	Mon 4/30/12	161		
163	Product Safety	4 days	Wed 4/25/12	Mon 4/30/12	155		
164	Maintainability	5 days	Tue 5/1/12	Mon 5/7/12	163		
165	<b>Other Hardware Tests All Units</b>	<b>10 days</b>	<b>Tue 5/8/12</b>	<b>Mon 5/21/12</b>			
166	Temperature Power/Reliability	10 days	Tue 5/8/12	Mon 5/21/12	125,137,127		
167	<b>Completion of All Hardware Testing</b>	<b>5 days</b>	<b>Tue 5/22/12</b>	<b>Mon 5/28/12</b>			
168	Hardware Test Report	5 days	Tue 5/22/12	Mon 5/28/12	165		
169	<b>Telecommunication Testing DS200</b>	<b>58 days</b>	<b>Tue 2/14/12</b>	<b>Thu 5/3/12</b>			
170	Set up Telcom Hardware and Network	5 days	Tue 2/14/12	Mon 2/20/12			
171	Setup Telecom Testing	7 days	Thu 3/29/12	Fri 4/6/12			
172	Execute Telecom Testing	15 days	Mon 4/9/12	Fri 4/27/12	171		
173	Report Telecom Testing	3 days	Mon 4/30/12	Wed 5/2/12	172		
174	Completion of Telecom Test	1 day	Thu 5/3/12	Thu 5/3/12	173		
175	<b>FCA</b>	<b>82 days</b>	<b>Fri 2/17/12</b>	<b>Mon 6/11/12</b>			
176	<b>Pre FCA</b>	<b>63 days</b>	<b>Fri 2/17/12</b>	<b>Tue 5/15/12</b>			
177	EMS Version Installed	2 days	Fri 2/17/12	Mon 2/20/12			
178	Pre-Voting Test Case Sequencing, Specific Test Case Design and Data Inputs	25 days	Wed 3/7/12	Tue 4/10/12			
179	Voting Test Case Sequencing, Specific Test Case Design, and Data Inputs	25 days	Wed 4/11/12	Tue 5/15/12	178		
180	Post-Voting Test Case Sequencing, Specific Test Case Design, and Data Inputs	25 days	Wed 3/7/12	Tue 4/10/12			
181	Usability Test Case Sequencing, Specific Test Case Design, and Data Inputs	20 days	Wed 4/11/12	Tue 5/8/12	178		
182	<b>FCA Execution</b>	<b>44 days</b>	<b>Wed 4/11/12</b>	<b>Mon 6/11/12</b>			

Project: ES&S EVS 5.0.0.0 Rev3 Date: Tue 3/6/12	Task		External Milestone		Manual Summary Rollup	
	Split		Inactive Task		Manual Summary	
	Milestone		Inactive Milestone		Start-only	
	Summary		Inactive Summary		Finish-only	
	Project Summary		Manual Task		Deadline	
	External Tasks		Duration-only		Progress	

Page 7



**Page No. A- 9 of 11**  
**Certification Test Plan T59087.01**

ID	Task Name	Duration	Start	Finish	Predecessors	Jan 17	
						M	T
183	Pre-Voting Execution	10 days	Wed 4/11/12	Tue 4/24/12	178		
184	Voting Execution	10 days	Wed 4/25/12	Tue 5/8/12	183		
185	Post Voting Execution	10 days	Wed 5/9/12	Tue 5/22/12	184		
186	Usability Execution	10 days	Wed 5/23/12	Tue 6/5/12	185		
187	Complete FCA	2 days	Wed 6/6/12	Thu 6/7/12	186		
188	FCA Completion	2 days	Fri 6/8/12	Mon 6/11/12			
189	Report FCA Test	2 days	Fri 6/8/12	Mon 6/11/12	187		
190	<b>System Level Performance Testing</b>	<b>64 days</b>	<b>Tue 4/17/12</b>	<b>Mon 7/16/12</b>			
191	Accuracy Test	12 days	Tue 6/12/12	Wed 6/27/12			
192	Execution of Accuracy Test	10 days	Tue 6/12/12	Mon 6/25/12	124,175,90,169		
193	Completion of Accuracy Test	2 days	Tue 6/26/12	Wed 6/27/12	192		
194	Volume and Stress Test	12 days	Thu 6/28/12	Mon 7/16/12			
195	Execution of Volume and Stress Test	10 days	Thu 6/28/12	Thu 7/12/12	193		
196	Completion of Volume and Stress Test	2 days	Fri 7/13/12	Mon 7/16/12	195		
197	Security Test	45 days	Tue 4/17/12	Mon 6/18/12			
198	Access Controls Review (WoP 6)	5 days	Tue 6/12/12	Mon 6/18/12			
199	Completion of Access Control Review	5 days	Tue 6/12/12	Mon 6/18/12	175		
200	Penetration Test	39 days	Tue 4/17/12	Fri 6/8/12			
201	Discovery Phase	20 days	Tue 4/17/12	Mon 5/14/12			
202	Exploration Phase	5 days	Mon 6/4/12	Fri 6/8/12	201		
203	Risk Assessment	20 days	Tue 4/17/12	Mon 5/14/12			
204	Security Assessment	2 days	Tue 5/15/12	Wed 5/16/12			
205	Report Security Assessment	2 days	Tue 5/15/12	Wed 5/16/12	203		
206	Completion of Security Test	1 day	Thu 5/17/12	Thu 5/17/12			
207	Final Report Security Assessment	1 day	Thu 5/17/12	Thu 5/17/12	205		
208	Telecommunication Testing	12 days	Tue 6/19/12	Thu 7/5/12			

Project: ES&S EVS 5.0.0.0 Rev3 Date: Tue 3/6/12	Task		External Milestone		Manual Summary Rollup	
	Split		Inactive Task		Manual Summary	
	Milestone		Inactive Milestone		Start-only	
	Summary		Inactive Summary		Finish-only	
	Project Summary		Manual Task		Deadline	
	External Tasks		Duration-only		Progress	

Page 8

**Page No. A- 10 of 11**  
**Certification Test Plan T59087.01**

ID	Task Name	Duration	Start	Finish	Predecessors	Jan 17	
						M	T
209	Setup Telecom Testing	3 days	Tue 6/19/12	Thu 6/21/12	197		
210	Execute Telecom Testing	6 days	Fri 6/22/12	Fri 6/29/12	209		
211	Report Telecom Testing	2 days	Mon 7/2/12	Tue 7/3/12	210		
212	Completion of Telecom Test	1 day	Thu 7/5/12	Thu 7/5/12	211		
213	<b>System Integration Testing</b>	<b>25 days</b>	<b>Tue 7/17/12</b>	<b>Mon 8/20/12</b>			
214	GEN 01 - Contests, Candidates, Alt Language, Split Precinct, and Audio Ballot	4 days	Tue 7/17/12	Fri 7/20/12			
215	GEN 01 Setup	1 day	Tue 7/17/12	Tue 7/17/12	190		
216	GEN 01 Execution	2 days	Wed 7/18/12	Thu 7/19/12	215		
217	GEN 01 Complete	1 day	Fri 7/20/12	Fri 7/20/12	216		
218	GEN 02 - N of M, Recall, Early Voting, Alt Language and Audio Ballot	4 days	Mon 7/23/12	Thu 7/26/12			
219	GEN 02 Setup	1 day	Mon 7/23/12	Mon 7/23/12	217		
220	GEN 02 Execution	2 days	Tue 7/24/12	Wed 7/25/12	219		
221	GEN 02 Complete	1 day	Thu 7/26/12	Thu 7/26/12	220		
222	GEN 03 - Ideographic Language, Audio Ballot, and ADA Devices	4 days	Fri 7/27/12	Wed 8/1/12			
223	GEN 03 Setup	1 day	Fri 7/27/12	Fri 7/27/12	221		
224	GEN 03 Execution	2 days	Mon 7/30/12	Tue 7/31/12	223		
225	GEN 03 Complete	1 day	Wed 8/1/12	Wed 8/1/12	224		
226	PRIM 01 - Closed Primary, Split Precinct, Multiple Ballot Styles, and Audio Ballot	4 days	Thu 8/2/12	Tue 8/7/12			
227	PRIM 01 Setup	1 day	Thu 8/2/12	Thu 8/2/12	225		
228	PRIM 01 Execution	2 days	Fri 8/3/12	Mon 8/6/12	227		
229	PRIM 01 Complete	1 day	Tue 8/7/12	Tue 8/7/12	228		
230	PRIM 02 - Open Primary, Multiple Ballot Styles, Slate Voting, Cross-party Endorsement, and Audio Ballot	4 days	Wed 8/8/12	Mon 8/13/12			
231	PRIM 02 Setup	1 day	Wed 8/8/12	Wed 8/8/12	229		
232	PRIM 02 Execution	2 days	Thu 8/9/12	Fri 8/10/12	231		
233	PRIM 02 Complete	1 day	Mon 8/13/12	Mon 8/13/12	232		

Project: ES&S EVS 5.0.0.0 Rev3 Date: Tue 3/6/12	Task		External Milestone		Manual Summary Rollup	
	Split		Inactive Task		Manual Summary	
	Milestone		Inactive Milestone		Start-only	
	Summary		Inactive Summary		Finish-only	
	Project Summary		Manual Task		Deadline	
	External Tasks		Duration-only		Progress	

Page 9

**Page No. A- 11 of 11**  
**Certification Test Plan T59087.01**

ID	Task Name	Duration	Start	Finish	Predecessors	Jan 17	
						M	T
234	<b>PRIM 03 - Closed Primary, Ideographic Language, and ADA devices</b>	4 days	Tue 8/14/12	Fri 8/17/12			
235	PRIM 03 Setup	1 day	Tue 8/14/12	Tue 8/14/12	233		
236	PRIM 03 Execution	2 days	Wed 8/15/12	Thu 8/16/12	235		
237	PRIM 03 Complete	1 day	Fri 8/17/12	Fri 8/17/12	236		
238	<b>Completion of System Integration Testing</b>	<b>1 day</b>	<b>Mon 8/20/12</b>	<b>Mon 8/20/12</b>			
239	Final Report System Integration Tests	1 day	Mon 8/20/12	Mon 8/20/12	237		
240	<b>All Testing Activities Completed</b>	<b>2 days</b>	<b>Tue 8/21/12</b>	<b>Wed 8/22/12</b>			
241	Verification and compilation of all test data	2 days	Tue 8/21/12	Wed 8/22/12	3,53,90,111,124		
242	<b>PCA Completion</b>	<b>4 days</b>	<b>Thu 8/23/12</b>	<b>Tue 8/28/12</b>			
243	Regression All Changes to PCA that Occurred during the Test Campaign	3 days	Thu 8/23/12	Mon 8/27/12	240		
244	Final Report PCA	1 day	Tue 8/28/12	Tue 8/28/12	243		
245	<b>Final Trusted Build</b>	<b>15 days</b>	<b>Wed 8/29/12</b>	<b>Tue 9/18/12</b>			
246	Verify Build Environment	1 day	Wed 8/29/12	Wed 8/29/12	242		
247	Trusted Build	8 days	Thu 8/30/12	Mon 9/10/12	246		
248	Install and Verify System Build	3 days	Tue 9/11/12	Thu 9/13/12	247		
249	Final Trusted Build Complete	1 day	Fri 9/14/12	Fri 9/14/12	248		
250	Delivery of Images to EAC Repository	2 days	Mon 9/17/12	Tue 9/18/12	249		
251	<b>Post Testing Activities</b>	<b>39 days</b>	<b>Wed 8/29/12</b>	<b>Mon 10/22/12</b>			
252	<b>Certification Report</b>	<b>39 days</b>	<b>Wed 8/29/12</b>	<b>Mon 10/22/12</b>			
253	Initial Draft Report	10 days	Wed 8/29/12	Tue 9/11/12	242		
254	Manufacturer Review	2 days	Wed 9/12/12	Thu 9/13/12	253		
255	Final Test Report for Submission to EAC for Review	2 days	Fri 9/14/12	Mon 9/17/12	254		
256	EAC Review	20 days	Tue 9/18/12	Mon 10/15/12	255		
257	Address Comments From TR's Final Submission	5 days	Tue 10/16/12	Mon 10/22/12	256		

Project: ES&S EVS 5.0.0.0 Rev3 Date: Tue 3/6/12	Task		External Milestone		Manual Summary Rollup	
	Split		Inactive Task		Manual Summary	
	Milestone		Inactive Milestone		Start-only	
	Summary		Inactive Summary		Finish-only	
	Project Summary		Manual Task		Deadline	
	External Tasks		Duration-only		Progress	
Page 10						

**APPENDIX B**  
**THIRD PARTY BUILD SOFTWARE TABLE**

**The EVS 5.0.0.0 System includes the following COTS software which has been delivered by ES&S:**

Software Product	Software Version	Filename	Hash Value
Microsoft Windows 7, SP1	5.1	Original Disc	N/A
Micro Focus RM/COBOL Runtime	12.06	Original Disc	N/A
Microsoft Server 2008	R2	Original Disc	N/A
Adobe Acrobat Standard	9.0	Original Disc	N/A
AVG Business Edition	2012	TBD	TBD
Microsoft Excel 2003	TBD	TBD	TBD

Software Product	Software Version	Filename	Hash Value
<b>ElectionWare</b>			
Microsoft Windows 7 Pro, SP1	5.1	Original Disk	NA
PostgreSQL	9.1	postgresql-9.1.2-1-windows.exe	b15aff7d85d26227d004c65cc35794272fb630b5
Oracle Java JDK	6u29	jdk-6u29-windows-i586.exe	41a8656f5bf2eb15f22fdcc01350e8da37fac7df
<b>ElectionWarePaperBallot.exe</b>			
Microsoft Windows 7 Pro, SP1	5.1	Original Disk	NA
Visual C++ 10.0 CRT (x86)	10.0.40219.1	msvcp100.dll	2ada702a0c143a7ae39b7de16a4b5cc994d2548b
	10.0.40219.1	msvcr100.dll	0b51fb415ec89848f339f8989d323bea722bfd70
Visual C++ 10.0 MFC (x86)	10.0.40219.1	mfc100u.dll	2771393d56ff167275bf03170377c43c28ee14e1
PostgreSQL	9.1.2	postgresql-9.1.2-1-windows-binaries.zip	73edb0239de58a64f30510d568c3a85a19816b75
	1.0.0.4	libeay32.dll	26741c73bf6fc843cb74f15070084aeab9033b4f
	1.12.0.0	libiconv-2.dll	2c116fef19547ac5ea4d032f4a5bdad997766134
	0.17.0.0	libintl-8.dll	ad19cce12f2175c1fd1160f8cbb464f2f3dc5fca
	9.1.2.11335	libpq.dll	85e03b03e00bc8cf7cf2fd77e50fa4641e820cb3
	1.0.0.4	ssleay32.dll	f6eee4c41027ded239023a7fe8ad9c0f81adf947
XercesC++ XML Parser Library	3.1.1	xerces-c_3_1.dll	Must be built from source. Hash will come from trusted build.

**Page No. B- 3 of 23**  
**Certification Test Plan T59087.01**

Software Product	Software Version	Filename	Hash Value
<b>Election Reporting Manager</b>			
Microsoft Windows 7 Pro, SP1	5.1	Original Disk	NA
Micro Focus RM/COBOL Runtime	12.06		NA
InfoZip	2.32	unzip.exe	e1652b058195db3f5f754b7ab430652ae04a50b8
	5.5.2	zip.exe	55c5a72010291fca2275ccfb5b497dd0bac11a60
RoboHelp 2000	8.0.131.0	ROBOEX32.DLL	964d83c7f4dedc10241408de04e7d44cb599ef3d
RoboHelp X5	13.10.606.0	wh2robo.dll	4ff22cf837373459232906078dc1d4d1464598db
Shamir Optical	1.0.0.0	OpenSaveFile.ocx	47f736752a9894553ec11134bfcd5a4455e29ef
RSA Encryption Library	3.0.0.1	ccme_base.dll	652f5069fea72f20faea001c887073b69c8281b0
	3.0.0.1	ccme_ecc.dll	1a2f71f2ae1b215739718f04b23a6cdf0eaaf432
	3.0.0.1	ccme_eccaccel.dll	0f90ec44c40227d9b59c9dbc7e1e3b51618513d0
	3.0.0.1	ccme_eccnistaccel.dll	6698462aa02d592cf9a5a9c9dad512f047d289d9
	3.0.0.1	cryptocme2.dll	cc10515599cb629a1137cedbfb68ba0c9ce445fe3
	3.0.0.1	cryptocme2.sig	61174bc0385d8a0e5a697f8e4148ff8114ba13a1
Dynamic linked library for Xerces-C	2.8.0.0	xerces-c_2_8_vc80.dll	2896bc1d9f6be38a2c34d76fdc674909f0395462
Visual C++ 10.0 CRT (x86)	10.0.40219.1	msvcp100.dll	2ada702a0c143a7ae39b7de16a4b5cc994d2548b
	10.0.40219.1	msvcr100.dll	0b51fb415ec89848f339f8989d323bea722bfd70
Visual C++ 10.0 MFC (x86)	10.0.40219.1	mfc100.dll	29dd7ca9af4085c6897788c1afaadf59dd5d8b0e
	10.0.40219.1	mfc100u.dll	2771393d56ff167275bf03170377c43c28ee14e1
	10.0.40219.1	mfcmm100.dll	432a2fd8bb87bd13e4e40428e4c6a167eebf7bf1
	10.0.40219.1	mfcmm100u.dll	e7fb9b6a36e2f9ad381d00d14e1a20b541c70d94
<b>EventLog Service</b>			
Microsoft Windows 7 Pro, SP1	5.1	Original Disk	NA
Visual C++ 10.0 CRT (x86)	10.0.40219.1	msvcp100.dll	2ada702a0c143a7ae39b7de16a4b5cc994d2548b
	10.0.40219.1	msvcr100.dll	0b51fb415ec89848f339f8989d323bea722bfd70
<b>Removable Media Service</b>			
Microsoft Windows 7 Pro, SP1	5.1	Original Disk	NA
Visual C++ 10.0 CRT (x86)	10.0.40219.1	msvcp100.dll	2ada702a0c143a7ae39b7de16a4b5cc994d2548b
	10.0.40219.1	msvcr100.dll	0b51fb415ec89848f339f8989d323bea722bfd70
<b>AutoMARK</b>			
Eurotech WinCE OS	5.00.20	nk.nb0	941cc95c9884e6073d5daa33f80b37bfc528d246ac7a9cb02c26e21bc05ddf57
		ADSApiDll.dll	7841640c8514ab4c8e8e457b4e1374cbb61c9a85ab3b0b3e0a64995e23693708
		FSHDRV.dll	f5e67f3c907fbc860b2662da3bb1038ec669cba003a8e9a0a9ddd441f5bd915d
		sysUpgrad.exe	567da9e0f20dd3a13af9922d07adfa4995ce390fca190b549bf005f30fed5bd9
Ricoh SBC/Bootloader	5K509399ALA 2.0/1/3/0	bootloader.bin	7ee9258eb57c37c2d5cbf7429a2e1774092b570e1bf98a0f83ad511b182cc02e
	5K509399BLA 2.5/1/3/1	bootloader.bin	9042589bad245c864e0cbe3d65aa5c552135e4a8cdb67c9116f0aed92372651d

**Page No. B- 4 of 23**  
**Certification Test Plan T59087.01**

<b>Software Product</b>	<b>Software Version</b>	<b>Filename</b>	<b>Hash Value</b>
<b>ExpressVote</b>			
Eurotech BIOSLoader BootDisk	2.3.1	BLDR	1609c7a73acfd32d4aa6c2c71e1ede99810ade4eac3cb3e2514295cdc784e979
		BOOT.INI	7f43ff9eeaf6f98862267ce3e11c73c2d4f5f376c573545082f41db64128ef94
		SYSLOAD.BMP	6845208e578e958906daad59fcda1eeba55becbf69ec5f8eb2c57aca316a15b
		SYSLOAD.REG	e78c0af0a8d1bc168fbd5b4971062ac2e330dcf5ed704d4e47e0c7ce9a3becad
Eurotech WinCE OS	TBD	NK.bin	TBD
Silicon Engines Input Output Board	TBD	InputOutputBoard.dll	TBD
Silicon Engines Scanner Printer Engine	TBD	spe_usb.dll	TBD
Jungo - Windriver - Windows CE Platform distribution	10.3.1.	wdapi1031.dll	2ea6ea915966b30f5515c5e3607b168cecd5d2dc3adc5964de6093924bd12974
		windr6.dll	ae2ae1c410e350cd65c4b135571b4904292410f5d6d7e8eea7d0bf2d49774fe0
SRC-LAN95xx-WINCE LAN95xx Windows CE Device Driver	v1.22	SMSC9500.DLL	9ab6765b755bba26055ea28f4d744c7439a0c16c23c899f1c27bdf4ab5cbf826
<b>DS200</b>			
N/A	N/A	N/A	N/A
<b>DS850</b>			
N/A	N/A	N/A	N/A

**Page No. B- 5 of 23**  
**Certification Test Plan T59087.01**

<b>Software Product</b>	<b>Software Version</b>	<b>Filename</b>	<b>sha1deep Hash Value</b>
<b>EMS Build Environment</b>			
Apache Software Foundation Ant	1.7.1	apache-ant-1.7.1-bin.zip	a7e8fa7bc2102a8d8df99c64db73c2eae3d8b483
Apache Software Foundation Xerces-C++	3.1.1	xerces-c-3.1.1.zip	b61e2829f68d812d649bddaf5264a98f9837201a
CodeSynthesis XSD Including Apache Software Foundation Xerces C++ 2.8.0	3.1.0	xsd-3.1.msi	aa5f2fb2c815e8e1aa94314c08697751d056690b
Flexera Software (Macrovision) InstallShield	2008 Premier Edition	Original CD (two disk set)	N/A
Flexera Software (Macrovision) InstallShield Standalone Build Script Objects	2008 Premier Edition	installshieldinstallscriptobjects.exe	6cb960636c4474277fe12a51ee0d0704ee9246ed
MicroFocus (Liant) RM/COBOL Development System	12.06	rmcobol1206ds.exe	ff0c1a2cd06936eb12f860deb1a4d8cc6350832f
	12.06	wowext1206.exe	0d9bd6aa0c96dd4552656d54b677750655844761
Microsoft Visual Studio	2010 Premium (X86)	en_visual_studio_2010_premium_x 86_dvd_509357.iso	a4e69966496ad0f704fe9d97fac2a723ef75a99b
	2010 Service Pack 1 (x86)	mu_visual_studio_2010_sp1_x86_ dvd_651704.iso	61c2088850185ede8e18001d1ef3e6d12daa5692
Microsoft Windows	XP Professional with Service Pack 3	Original CD	N/A
	XP Professional Update (KB971513)	WindowsXP-KB971513-x86- ENU.exe	c18df80f512a6d9cea206825b981e33c0973abec
Microsoft Windows Driver Kit (WDK)	7.1.0.7600	GRMWDK_EN_7600_1.ISO	de6abdb8eb4e08942add4aa270c763ed4e3d8242
Oracle (NetBeans) NetBeans	6.9.1	netbeans-6.9.1-ml-javase- windows.exe	84d4a09937c8dcb3c199cf6281672aefe137f70e
Oracle (SDN) Java SE Development Kit	Version 6 Update 29	jdk-6u29-windows-i586.exe	41a8656f5bf2eb15f22fdcc01350e8da37fac7df
PostgreSQL Global Development Group PostgreSQL	9.1.2-1	postgresql-9.1.2-1-windows.exe	b15aff7d85d26227d004c65cc35794272fb630b5



**Page No. B- 6 of 23**  
**Certification Test Plan T59087.01**

Software Product	Software Version	Filename	sha1deep Hash Value
<b>EMS Build Environment</b>			
RSA BSAFE Crypto-C	Micro Edition (ME) 3	r_unpack.exe	5c48f05c4cf65784f5b129e15a0538361193f015
	Micro Edition (ME) 3	cryptocme-3_0_0_1-win32vc8.pkg	30fb23005a0e315a5eecee37cfbf64b3e3f62b20
SourceForge Boost C++ Libraries	1.46.1	boost_1_46_1.zip	62ae61cb2756abfc8515f842023ca572e733b2f2
	1.46.1	libboost_date_time-vc100-mt-1_46_1.zip	cdf7a788cc8c0e505fdb5fcf5bfb9da430a7dfee
	1.46.1	libboost_filesystem-vc100-mt-1_46_1.zip	e31498f488d644a6acdadb23c925cb956cd03f5e
	1.46.1	libboost_filesystem-vc100-mt-s-1_46_1.zip	dc2142b4ae049e2e1e577ddc9bbfa12e46852286
	1.46.1	libboost_program_options-vc100-mt-1_46_1.zip	07abf1aaa7548d1273b91afcda83d35bd35f1bcc
	1.46.1	libboost_system-vc100-mt-1_46_1.zip	3fa909d6e6fdcef0e9e5a5a668e85789ee202efa
	1.46.1	libboost_system-vc100-mt-s-1_46_1.zip	3970de2312ab82b7ea4fe29ad31aa622571b39d9
InfoZip	2.32	unzip.exe	e1652b058195db3f5f754b7ab430652ae04a50b8
	5.52	zip.exe	55c5a72010291fca2275ccfb5b497dd0bac11a60
MarshallSoft	0.0.0.0 Linker Rev. 3	WSC32.DLL	ac0d9b7d7ac30e98af162735bc9e7b1b24c48d23
RoboHelp 2000	8.0.131.0	ROBOEX32.DLL	964d83c7f4dedc10241408de04e7d44cb599ef3d
RoboHelp X5	13.10.606.0	wh2robo.dll	4ff22cf837373459232906078dc1d4d1464598db
Shamir Optical	1.0.0.0	OpenSaveFile.ocx	47f736752a9894553ec11134bffcd5a4455e29ef

**Page No. B- 7 of 23**  
**Certification Test Plan T59087.01**

Software Product	Software Version	Filename	sha1deep Hash Value
<b>AutoMARK Build Environment</b>			
AutoIt Consulting AutoIt	3.2.10.0	autoit-v3-setup.exe	bb913c21b1eeb8a580ea226d0a524f339d752596
Applied Data Systems Xscale	4.2	ADS_XSCALE_4_2_SDK.msi	991746a6251c28fe8b28b439c00565f23603f35e
Cosmic Software 68HC08 C Compiler	4.1h	Original CD	N/A
Keil µVision2 Note: CD is mislabeled µVision3	Release 04.2004	Original CD	N/A
Keil µVision2	Add-On Disk	Original 3.5" High-Density Floppy Diskette Note: Must transfer to a CD	N/A
MacroVision InstallShield Professional	10.5	Original CD	N/A
Microsoft Visual Studio	.Net 2003	Original CD	N/A
Microsoft Windows	XP Professional with Service Pack 3	Original CD	N/A
Microsoft Windows CE Platform Builder	5.0	Original CD	N/A
	Cumulative 2004 Update	WinCEPB50-041231-Product- Update-Rollup-Armv4I.msi	2a33a1540e25118e9360e7298af7c96da206006f
	Cumulative 2005 Update	WinCEPB50-051231-Product- Update-Rollup-Armv4I.msi	331f874c41fd2abe79ddc97ac9a47b91d203bdf9
	January 2006 Update	WinCEPB50-060131-2006M01- Armv4I.msi	884241dd89bd1fda9683fb6d6ba14f1c82cf9b2c
	February 2006 Update	WinCEPB50-060228-2006M02- Armv4I.msi	4695c80aff3707a1926ec54d0756af3a426d8e0f
	March 2006 Update	WinCEPB50-060331-2006M03- Armv4I.msi	39dc323b9736441893322fc1b159bc94dd2ec3b5
	April 2006 Update	WinCEPB50-060430-2006M04- Armv4I.msi	823c496b554f9d3d29cd491f80ffda9729176b89
	May 2006 Update	WinCEPB50-060531-2006M05- Armv4I.msi	29df27801c8bd2a3a68567cfa65e1ff54de8ae63
	June 2006 Update	WinCEPB50-060630-2006M06- Armv4I.msi	7421d73ec31cd1e9250e6c591e14f00a98988f59
	July 2006 Update	WinCEPB50-060731-2006M07- Armv4I.msi	f8ab5055a648ea23a64e3e89ef01e88ec9836b5c
	August 2006Update	WinCEPB50-060831-2006M08- Armv4I.msi	43b5d5a6f1be643e9dd4af970dc1785188bbe622
Microsoft Embedded Visual C++	4.0	Original CD	N/A

**Page No. B- 8 of 23**  
**Certification Test Plan T59087.01**

Software Product	Software Version	Filename	sha1deep Hash Value
<b>AutoMARK Build Environment</b>			
RSA BSAFE Crypto-C	Micro Edition (ME) 3	r_unpack.exe	5c48f05c4cf65784f5b129e15a0538361193f015
	Micro Edition (ME) 3	cryptocme-3_0_0_0-ppc2003.pkg	5ae651f5927f6cd8c16dce81c99df550441df9e6
Texas Instruments Code Composer Studio	v2 TMS320C5000 DSP Platform	Original CD	N/A
<b>VAT_1.7.0.0t_Buildpkg_COTS.zip</b>	N/A	N/A	N/A
Microsoft Visual Studio .NET 2003	N/A	cabwiz.ddf	dd44f51cdd27710a1ce652276454431672e4bd05
	1.00.0601	Makecab.exe	4825951d19c34deb658228822df95f7df5e1344e
Microsoft .NET Compact Framework	1.0.2268	Microsoft.WindowsCE.Forms.dll	939eb54fedb95782a73837c81ac201f2d638e9da
		MSCORLIB.DLL	8e57cbd267aea2085de258f3fcec0590de52f35
		System.Data.Common.dll	aa7bea9e02c545cc32d43b017fc68f3fbbef0fa90
SpeechWorks International, Inc. ETI-Eloquence TTS Engine	6.1.0.0	chs.syn	8a141d890adcd7acdd24f7aa2e3b798338dd9da4
		chsrom.dll	5c134deb10442e9394d96d3f3135909637e60383
		eci.dll	de792ced3d1ae96f8f1d507e22ab600376a0d71e
		enu.syn	08dbcebe6cf27a253535fc1a0d7d8a27169049c5
		esm.syn	eaf755997ee001f37d17c4e152b1b40ed349e2a8
		jpn.syn	32ca16e5034918711e8d056b850cd5279871762a
		jpnrom.dll	0a6c13ad82b0f5c5106f40f9d040a8b7e7e7cda4
		kor.syn	8592386bfaa11c2e7196278240c8ca0afc96db2d
ATEN Technology Inc.	N/A	PL2303.CAT	a1bd69bdef67a0c90cdc1785015b62116c55976d
	N/A	SER2PL.INF	b682d49b5083fb58a4c7725884dfd0b173d0afc6
	N/A	SER2PL.SYS	60ea554d7e0695998fa83668fe6ae3d21e30cc47
<b>VAT_1.7.0.0t_Source_COTS.zip</b>	N/A	N/A	N/A
Enounce, Inc	1.3	enresult.h	026f14e00f2ffac65ff78ff219523ec702a8971c
	1.7	entypes.h	62f2e746d9e10e33167a8252523e72dc38489c0f
	1.7	tsmiface.h	45e4323d1c24134fea1d653072a116b330474742
	1.21	TSMStrmObj.h	d6bd6b1a0c6815c6935c3f7b5439baa5f879491e
	N/A	tstarmv4I.lib	57f18b940f5cd0bf404f3cd10b003db40bf4e7c
FTDI Ltd	1.0.1.3	FTD2XX.h	2d753f2d72fa3adab894b0dbf8c85a97466ec89c
		FTD2XX.lib	4685d678b54a7a0159b97b510fc2741cfa64fb5f
zlib	1.1.4	unzip.cpp	afbb534d029875028b7d4048e895083d6901ab32
		unzip.h	5d6a56bd1daab11ac05e801b8b5111d4736e88ed
<b>VAT Preview_1.7.0.0t_Installpkg_COTS.zip</b>	N/A	N/A	N/A
SpeechWorks International, Inc. ETI-Eloquence TTS Engine	6.1.0.0	chs.syn	ff7c1873b84256c25da601d70ad280333e5ce167
		chsrom.dll	f3ae8a1f7d0369d387b8f2ee0a47a76efee2bc2f
		eci.dll	7aa1085174b7bce6016c8074297bc6cb40b823df
		enu.syn	3e69875d11e0a53c39c211c484cb6520f8d87f25
		esm.syn	d8037d86e5f677e89eca7834ae47fbd030a043aa
		jpn.syn	99a931e76e6008da9f01b91b4d91c116cece8f7d7
		jpnrom.dll	7557c00e8ace29affdabebddb73f466d0877a866
		kor.syn	f32f8ae286ed278320dbb829df338b97a2c846b5
		korrom.dll	76219d7f9f76f021b4815fa796f80e3ca49e3446

**Page No. B- 9 of 23**  
**Certification Test Plan T59087.01**

Software Product	Software Version	Filename	sha1deep Hash Value
<b>ExpressVote Build Environment</b>			
Enounce Time Scale Tailor Library	1.21	tstvc2008_Catalyst86.zip	68060e5168127e2b4b4c7212f477c356afb83c75
Eurotech Catalyst SDK for Windows CE 6.0	3.2	Catalyst_WinCE_SDK.msi	9602b70de1f1c7996b4578a05a4bb111d8062e98
Microsoft Visual Studio	2008 Professional Edition (x86)	en_visual_studio_2008_professiona l_x86_dvd_x14-26326.iso	69702515f0d7e085cbec39bff3a3b7ae5050ca3c
Microsoft Windows	7 Professional Edition with Service Pack 1 (x64)	en_windows_7_professional_with_ sp1_x64_dvd_u_676939.iso	0bcfc54019ea175b1ee51f6d2b207a3d14dd2b58
Microsoft Windows Mobile	6 Professional SDK Refresh	Windows Mobile 6 Professional SDK Refresh.msi	64f2709e1fe06d1dc0859d171981baa29a327ee3
<b>DS200 Ancillary Devices Build Environment</b>			
Keil µVision3	3.51	Original CD	N/A
Cypress EZ-USB Dev Kit	2.31	Original CD	N/A
IAR MPS430 Embedded Workbench	3.40A	Original CD	N/A
Microsoft Windows	XP Professional with Service Pack 3	Original CD	N/A
<b>DS200</b>			
Linux From Scratch	6.2-5	lfslivecd-x86-6.2-5.iso	b3e3947bf2c3616fa45541c0643a2adfa0618207
<b>/lfs-sources (LFS Base Files from Live CD)</b>			
autoconf	2.59	autoconf-2.59.tar.bz2	d366a07b2d99c95b7f24395aa8a8e023d8b93b69
automake	1.9.6	automake-1.9.6.tar.bz2	d205dbb274d3ff5be1cf6734f27fb452c7131866
bash	3.1	bash-3.1.tar.gz	766e3fd9384616d8a103f812f662fd8ec791c129
bash fixes	3.1	bash-3.1-fixes-8.patch	03d6781dd9ad6336eda906d5645c166e1641dd49
bash doc	3.1	bash-doc-3.1.tar.gz	9cacbbdf3b1be03819b1ea82cdaec0f5e61570c1
binutils	2.16.1	binutils-2.16.1.tar.bz2	5c80fd5657da47efc16a63fdd93ef7395319fbf
bison	2.2	bison-2.2.tar.bz2	b01691c83cc0d08d3c03e32c494f6b03381ecd21
bzip2	1.0.3	bzip2-1.0.3.tar.gz	7e749510f65c86fbff37b97144a02f1b8b8617f
bzip2 patch	1.0.3	bzip2-1.0.3-bzgrep_security- 1.patch	56a29bf1278f21bc30c72d19e5766bfda5c74e5b
bzip2 docs patch	1.0.3	bzip2-1.0.3-install_docs-1.patch	ead85296356efe99db45529cf7aeb9f61dd33daa
coreutils	5.96	coreutils-5.96.tar.bz2	782379daf200427058ca94a408566d600f779823
coreutils patch	5.96	coreutils-5.96-i18n-1.patch	3ff73ceeae8ef66345cfed38f770e51db4d02199
coreutils patch	5.96	coreutils-5.96- suppress_uptime_kill_su-1.patch	a7dedf947b7651f882c8ede00eb6e56689bbb154
coreutils patch	5.96	coreutils-5.96-uname-1.patch	42cc795e56b96994a4dc9e8f2a8dd72b6a25665f
db	4.4.20	db-4.4.20.tar.gz	bb4c68a4afc14712eb2954b7991f5dc9fe93bf7b
db patch	4.4.20	db-4.4.20-fixes-1.patch	46886ccdf1ea6daab392e5c46b4923f7e71e7d55
dejagnu	1.4.4	dejagnu-1.4.4.tar.gz	fd82ffd396eba5b595f76d2f4a068cb7fcc6cfff
diffutils	2.8.1	diffutils-2.8.1.tar.gz	a4c467c3a6a08cde9f3d94d02067ec26436e7dc5
diffutils patch	2.8.1	diffutils-2.8.1-i18n-1.patch	2d88d693ab572f04990a3a28deb5e743e288b9da
expect	5.43.0	expect-5.43.0.tar.gz	854440d937c1d05103bf2d02f911005b739fa1e9

**Page No. B- 10 of 23**  
**Certification Test Plan T59087.01**

Software Product	Software Version	Filename	sha1deep Hash Value
<b>DS200</b>			
expect patch	5.43.0	expect-5.43.0-spawn-1.patch	ba903a7d04b4faa13c8b9db75e1537f55f28e82b
file	4.17	file-4.17.tar.gz	e03710a3fcb95db6d0ee9cfcdf88c19a5e525ee4
findutils	4.2.27	findutils-4.2.27.tar.gz	0655e10b20dc66b1ccddfa45e5d6c57a3cd312a2
flex	2.5.33	flex-2.5.33.tar.bz2	acdb8fff6455967ad1a5bfc71855dbcc1253ee56
gawk	3.1.5	gawk-3.1.5.tar.bz2	0d5694461f1c32f1eae41a1c0d7ba0939b47e369
gawk patch	3.1.5	gawk-3.1.5-segfault_fix-1.patch	8dde8415d03b1897f50d5b12b6c876feda15e0be
gcc	4.0.3	gcc-4.0.3.tar.bz2	5a94943d9ab823cf8d080cc7f9e8a4a91797afea
gcc patch	4.0.3	gcc-4.0.3-specs-1.patch	04d4b7d68bfd6b362e9b75678584641a2dde7c2f
gettext	0.14.5	gettext-0.14.5.tar.gz	68737eee1a6427044eef901dc88e4144d371fb6b
glibc	2.3.6	glibc-2.3.6.tar.bz2	82d0487419f1bdf2dee439c344e89d6af47e558
glibc patch	2.3.6	glibc-2.3.6-inotify-1.patch	d282d10108a4f6b9c6eddc4351a83abe22a5b5b6
glibc patch	4.0.3	glibc-2.3.6-linux_types-1.patch	0bdf2b15e20c176caf3c85e5b6a7bc957f636d6a
glibc-libidn	2.3.6	glibc-libidn-2.3.6.tar.bz2	95d3a98495d4bd7138149fd312db88da56e735db
grep	2.5.1a	grep-2.5.1a.tar.bz2	2cd082775d30be463c0ac674a00595eb56fda22e
grep patch	2.5.1a	grep-2.5.1a-redhat_fixes-2.patch	6f7f1623d1909f07dc08a8a16a24cbce6be8dfc5
groff	1.18.1.1	groff-1.18.1.1.tar.gz	19c8c83e6ee29dd6041dae0daf1c1d0debd3d32a
groff patch	1.18.1.1	groff-1.18.1.1-debian_fixes-1.patch	39fb82b9673523cb2451a0491929693226ea97dd
grub	0.97	grub-0.97.tar.gz	2580626c4579bd99336d3af4482c346c95dac4fb
grub patch	0.97	grub-0.97-disk_geometry-1.patch	651801fe6d851c9f59ccd16b6bd49f1358c9594c
gzip	1.3.5	gzip-1.3.5.tar.gz	843272609b9bfff1bdf2770a28d498d6519901e73
gzip patch	1.3.5	gzip-1.3.5-security_fixes-1.patch	3ab15ed9fa2b8b3e26b6f8d878f5cf43f822abca
iana-etc	2.10	iana-etc-2.10.tar.bz2	6a2960e42ccf3266680b7adb83f239c5a640220e
inetutils	1.4.2	inetutils-1.4.2.tar.gz	6b60d2c78702512e95afae36415f6fe3523dba77
inetutils patch	1.4.2	inetutils-1.4.2-gcc4_fixes-3.patch	77b063b0fcc15a55e28c18e1b30e1cdf5b1b7d3a
inetutils patch	1.4.2	inetutils-1.4.2-no_server_man_pages-1.patch	ccd3c59f9ed4eca6f7a8dff6494ed8916087bc50
iproute	2.6.16-060323	iproute2-2.6.16-060323.tar.gz	76d866bb3b46a7b2e73d79a4faf6fa8971527633
kbd	1.12	kbd-1.12.tar.bz2	65eaae4d98fca3f7ae7dfc9d9cb7c5a432c6475f
kbd patch	1.12	kbd-1.12-backspace-1.patch	39e332e42d5145dfc47786dba5eff63cda91d0ba
kbd patch	1.12	kbd-1.12-gcc4_fixes-1.patch	93ec9885a79ff79088f1533ec52f1a87dae69500
less	394	less-394.tar.gz	fa0d9aa30ec461866786c4080bb594fc3337bb02
lfs-bootscripts	6.2	lfs-bootscripts-6.2.tar.bz2	616ece5d67a79169e62547141f481ea5150e348c
libtool	1.5.22	libtool-1.5.22.tar.gz	17353e66aeaac80ae188ea0a3a90609550ce3254
linux patch	2.6.16.27	linux-2.6.16.27-utf8_input-1.patch	1245a73e16a0d6d1b1adfa167bbee2c02ca92dd5
linux-libc-headers	2.6.12.0	linux-libc-headers-2.6.12.0.tar.bz2	e72c9b260995b269c9fb9248ed468c18fb01f3fd
linux-libc-headers patch	2.6.12.0	linux-libc-headers-2.6.12.0-inotify-3.patch	724f0340907df408d17650fd2e58448d0a9e1799
m4	1.4.4	m4-1.4.4.tar.gz	4861140cb54b6c9e135d04b5fbf460ff57f969a5
make	3.80	make-3.80.tar.bz2	d2085842f08e57d58d3e1cd75a5f0342a60e5f45
man-db	2.4.3	man-db-2.4.3.tar.gz	a9f6ac22ccd97186005920cedb5f6611df13d4fa
man-pages	2.34	man-pages-2.34.tar.bz2	99278abd00613fa2409791f20c0ee175118a41d1
mktemp	1.5	mktemp-1.5.tar.gz	aa001fd61d13bbf128dc58ca4dc6d83311435bae

**Page No. B- 11 of 23**  
**Certification Test Plan T59087.01**

Software Product	Software Version	Filename	sha1deep Hash Value
<b>DS200</b>			
mktemp patch	1.5	mktemp-1.5-add_tempfile-3.patch	c4ca0c1d5993a44bf82c369d60f415e2cf92b95b
module-init-tools	3.2.2	module-init-tools-3.2.2.tar.bz2	b51e8ac170be23a1f2e301a1dddd47a47ec2186a
module-init-tools patch	3.2.2	module-init-tools-3.2.2-modprobe-1.patch	0caecb2078cc47c97e496e2e4717b8b82a52eb01
ncurses	5.5	ncurses-5.5.tar.gz	46414a72e91a62f63a8c9af00f0d65497f5ecc5a
ncurses patch	5.5	ncurses-5.5-fixes-1.patch	617e1de363a6dc2cfcaf5eaafd78cfe01ab34f48
patch	2.5.4	patch-2.5.4.tar.gz	a12d520eba0dc35d1c4d50ec75b7684451a40de9
perl	5.8.8	perl-5.8.8.tar.bz2	4aab490040727ca4419098720eca2ba4367df539
perl patch	5.8.8	perl-5.8.8-libc-2.patch	b72468149c5eee6faefde7f32bb05bda6e2a1c9d
procps	3.2.6	procps-3.2.6.tar.gz	91f44180eb50a94eb945c2598c0e849879e65893
psmisc	22.2	psmisc-22.2.tar.gz	1ae222803c5b5967a1b93e69f08330e0cdc1a554
readline	5.1	readline-5.1.tar.gz	4b2ee2bc9c6dd1d238c84a58f7e6db173600b850
readline patch	5.1	readline-5.1-fixes-3.patch	f58bbd80c7aed462ab7e97e3ac4eae7cd9d1b835
sed	4.1.5	sed-4.1.5.tar.gz	8e575e8a44568392d5b6e089eab5da5cddb45885
shadow	4.0.15	shadow-4.0.15.tar.bz2	0f7cd3366a032091fdffd2f8edf65056bd576cae
sysklogd	1.4.1	sysklogd-1.4.1.tar.gz	093775da0e429d0768cf195ceb20fdd6d96aeaea
sysklogd patch	1.4.1	sysklogd-1.4.1-8bit-1.patch	edc01eceb4ae7af3d6a02e23a4dace8fee50f3eb
sysklogd patch	1.4.1	sysklogd-1.4.1-fixes-1.patch	4fbd5e56c212c8e37f363eb48ba86a5ecea21f4a
sysvinit	2.86	sysvinit-2.86.tar.gz	3e78df609a2ff0fea6304cb662a7f10298d03667
tar	1.15.1	tar-1.15.1.tar.bz2	f861b7524a0867833056dc382e68085234cae6ff
tar patch	1.15.1	tar-1.15.1-gcc4_fix_tests-1.patch	ba780e0e88c7993a69d5a498912e135bf16e7df8
tar patch	1.15.1	tar-1.15.1-security_fixes-1.patch	93fd5a55bccf25d03bb7e18dff0bce27c29d207
tar patch	1.15.1	tar-1.15.1-sparse_fix-1.patch	269dfcc556b6217d27d043ea623df75e19e3d8c9
tcl	8.4.13	tcl8.4.13-src.tar.gz	4af6bec9a941d7d798df4287eebece7ded67489c
texinfo	4.8	texinfo-4.8.tar.bz2	b19e906f7220294c1e8b087d583c50f5c4d7c420
texinfo patch	4.8	texinfo-4.8-multibyte-1.patch	b97ae3468c03f8389dbf5c9b6eed64f996f9ed5c
texinfo patch	4.8	texinfo-4.8-tempfile_fix-2.patch	2ead28cb8e2679cdb53e1e4908209f0a31397dfe
udev	096	udev-096.tar.bz2	8d15b89df93ba84e2d33ff6061e140aed0a4dce
udev-config	6.2	udev-config-6.2.tar.bz2	5cd22b8e9cf1e996871e2bc540d75e57a4f706a3
util-linux	2.12r	util-linux-2.12r.tar.bz2	740b7eb5ae1148b2200b2cd34a0a6c4b0db577e4
util-linux patch	2.12r	util-linux-2.12r-cramfs-1.patch	00f5192493b939c2c996df9c1f3f769abfa3fa8c
vim-7.0	7.0	vim-7.0.tar.bz2	38ef48cabf942d0dc804a794dccc6f002b9457fc8
vim-7.0 patch	7.0	vim-7.0-fixes-7.patch	caf8b4b5635cf72edd033b048a993f80c5a5aa7b
vim-7.0-lang	7.0	vim-7.0-lang.tar.gz	3db6b0004d213490cc00d361835e7a7c685adb52
vim-7.0-mandir patch	7.0	vim-7.0-mandir-1.patch	182f46dfacfed3bf6f821dea71f90547d414230
vim-7.0-spellfile patch	7.0	vim-7.0-spellfile-1.patch	4e0cb489a9b8f989f154d14cadb50deba619dd2b
zlib	1.2.3	zlib-1.2.3.tar.gz	60faeaaaf250642db5c0ea36cd6dccc9f99c8f3902
<b>lfs_kernel-2.6.35.13-src.tar</b>			
Linux Kernel	2.6.35.13	linux-2.6.35.13.tar.bz2	b828b1db449c88a00209b1588efc0d192fa960c1

**Page No. B- 12 of 23**  
**Certification Test Plan T59087.01**

Software Product	Software Version	Filename	sha1deep Hash Value
<b>DS200</b>			
<b>lfs_cots-3.0-rhel30-src.tar</b>			
cryptocme	3.0-rhel30	cryptocme-3.0-rhel30.tar.gz	4fe8c6a6ddb524cfa88e3e6cf195447afc67977
<b>lfs_enhanced-2.7.0.0v-src.tar</b>			
alsa-lib	1.0.13	alsa-lib-1.0.13.tar.bz2	82fa9a7fcb43b319524b18451ca86d691a20f4a3
alsa-utils	1.0.13	alsa-utils-1.0.13.tar.bz2	05b460a0e7ae6519ea37240476f026b59dbc710d
aumix	2.8	aumix-2.8.tar.bz2	5cea563ae91f628433a1950a36efd23681da4bf4
beecrypt	4.1.2	beecrypt-4.1.2.tar.gz	71ceb3329bb2561ffba24a2004dfac50b143f59
blfs-bootscripts	20060910	blfs-bootscripts-20060910.tar.bz2	58ff10492f9abcecd6ca4a105c479d5f2e3e8002
BLFS-ca-bundle	3.12.5	BLFS-ca-bundle-3.12.5.tar.bz2	8cf4be3072184940f8cfc3888ef0ba1cb58a5377
boost	1.43.0	boost_1_43_0.tar.bz2	b8257b7da2a7222739314f8d1e07e217debe71d6
coreutils	6.9	coreutils-6.9.tar.bz2	10310a78c4e1d9f742f3815ac28e9bf1086a5885
cpio	2.6	cpio-2.6.tar.gz	5a4ea156519909994fe05933dc823abcf07e3e21
cpio-security_fixes-1	2.6	cpio-2.6-security_fixes-1.patch	d8445256032b903bbd3cee2694e87412e7dca843
ctags	5.6	ctags-5.6.tar.gz	930afaa138624717393fe475201f795251bd5e5e
curl	7.15.3	curl-7.15.3.tar.bz2	7e764126ce564429fe2f142428a27bc8fb69ee
cvs	1.11.22	cvs-1.11.22.tar.bz2	5dfa11da84a890d7d61516fd450c001dc24bcc0d
cvs-zlib-1	1.11.22	cvs-1.11.22-zlib-1.patch	0d20bab8a6b6e419a8c900d082b487ad6a3aec38
docbook-xsl	1.69.1	docbook-xsl-1.69.1.tar.bz2	aaabf0e274609134e187a6c36d2be23f3471f507
dosfstools	2.11	dosfstools-2.11.src.tar.gz	b0d8714475ca7c7a96a46adf7c4839d69ce2f412
e2fsprogs	1.41.14	e2fsprogs-1.41.14.tar.gz	24f9364fa3d4c0d7d00cb627b819d0e51055d6c5
expat	2.0.1	expat-2.0.1.tar.gz	663548c37b996082db1f2f2c32af060d7aa15c2d
fuse	2.8.5	fuse-2.8.5.tar.gz	862320b56d6bc4ad5e7be2b1e0b5029166aae09b
fuse	0.2.12	fuse-zip-0.2.12.tar.gz	fe6f1a32d7fbc0d8c8598b8c7f56129fe5ebc173
gnupg	1.4.3	gnupg-1.4.3.tar.bz2	9e96b36e4f4d1e8bc5028c99fac674482cbd370
gpm	1.20.1	gpm-1.20.1.tar.bz2	c48d937e62abb438c2f6439b34ef3332c89af8d1
gpm-segfault-1	1.20.1	gpm-1.20.1-segfault-1.patch	da53bf78a0ebaa5020e332aa6d861159170ed86
gpm-silent-1	1.20.1	gpm-1.20.1-silent-1.patch	8899a212eadfba201d8da3e44590bd05b97f9f6
libao	0.8.6	libao-0.8.6.tar.gz	2050e008ffcfcd6803e2c2c03c7d5f469b6d8379e
libogg	1.1.3	libogg-1.1.3.tar.gz	a3e495a8baf6939efad7e0bd11cc0e466838c3db
libusb	0.1.12	libusb-0.1.12.tar.gz	599a5168590f66bc6f1f9a299579fd8500614807
libvorbis	1.1.2	libvorbis-1.1.2.tar.gz	26289fc41aa5436b1a277d726bb5cb106d675c35
libxml2	2.6.26	libxml2-2.6.26.tar.gz	094ac2aae1c295fc227d88e803013557a269358a
libxslt	1.1.17	libxslt-1.1.17.tar.gz	5b36ab3e1ed85ed0862a10ce22ca03e1084d9121
libzip	0.9.3	libzip-0.9.3.tar.bz2	16e94bc0327f1a76a0296a28908cf6439b0a0a67
net-tools	1.60	net-tools-1.60.tar.bz2	944fb70641505d5d1139dba3aeb81ba124574b83
net-tools-gcc34-3	1.60	net-tools-1.60-gcc34-3.patch	a92286932a423fc987f2a152931d05b0a9a312bd
net-tools-kernel_headers-2	1.60	net-tools-1.60-kernel_headers-2.patch	3e59577e904582503b25c7b21f6e3b77b165f84a
net-tools-mii_ioctl-1	1.60	net-tools-1.60-mii_ioctl-1.patch	912613acbf3a000a2935391a14e55b5ccdeae6b
ntfsprogs	1.13.1	ntfsprogs-1.13.1.tar.gz	a4e50f6fc10fcc1e1f562ad64bcbf9a0d46ca72a
openssh-4.5	4.5p1	openssh-4.5p1.tar.gz	2eefcbb9e4fa16fa4500dec107d1a09d3d02d7
openssl-5.8	5.8p1	openssh-5.8p1.tar.gz	adebb2faa9aba2a3a3c8b401b2b19677ab53f0de
openssl-fix_manpages-1	0.9.8r	openssl-0.9.8r.tar.gz	a02411e5f4d463cac4a2a4a357a4a0b93bf65e72

**Page No. B- 13 of 23**  
**Certification Test Plan T59087.01**

Software Product	Software Version	Filename	sha1deep Hash Value
<b>DS200</b>			
openssl-fips	1.2.2	openssl-fips-1.2.2.tar.gz	e7f94222ec24a5fe6c39b80ac2e5529760de3c33
openssl-fips	1.2.2	openssl-fips-1.2.2.tar.gz.asc	f9fd60bf406e5a98e834b09b1f072ff4341ebf31
pkg-config	0.22	pkg-config-0.22.tar.gz	3ec40bda9864d7aa3c912c6ae87a750fd8b6e420
popt	1.10.4	popt-1.10.4.tar.gz	10e6649c4c37ecfb6fb4296aeca609b5fdd5e34d
ppp	2.4.4	ppp-2.4.4.tar.gz	9b91b0117e0a8bfaf8c4e894f79e0960dd36259
Python	2.4.4	Python-2.4.4.tar.bz2	9e0971f93df8acbd947378d0d16a32fcc8897ba2
Python-gdbm-1	2.4.4	Python-2.4.4-gdbm-1.patch	34c3973ba2e519eaf1fd0ecf28ec465ed08bb96d
soundtouch	1.3.1	soundtouch-1.3.1.zip	d13437848ebe94b46b73fd5b05ba4420d4667527
unzip-security_fix-1	5.52	unzip-5.52-security_fix-1.patch	7f6a287c0b480bc4748abd69429dfc76383e1d6
unzip552	5.52	unzip552.tar.gz	1831bd59b9e607a69052f83b263384895e2d4a19
usbutils	0.72	usbutils-0.72.tar.gz	891b8825d964880146d5c980e52bb9e23d92fe2b
vorbis-tools	1.1.1	vorbis-tools-1.1.1.tar.gz	a1394b39905b389d72f12c2a9f0c86a33d07a487
vorbis-tools-utf8-1	1.1.1	vorbis-tools-1.1.1-utf8-1.patch	35db6e412cc9df5d8b88b58cae5f2e514bc17823
xerces-c-src	2.8.0	xerces-c-src_2_8_0.tar.gz	f0803b1330daec3f44b17dee643c99de6b3cd3e
xsd	3.1.0	xsd-3.1.0-i686-linux-gnu.tar.bz2	a7bf9b26ff5ab577fcfeccc9ea76134da88ec7e2
zip232	2.32	zip232.tar.gz	5bc562bf95d9aee0cb6625e6038898e1f191a4aa
<b>lfs_graphics-2.7.0v-src.tar</b>			
apache ant	1.7.0	apache-ant-1.7.0-bin.zip	81aeb13c75edee51dd5bb1c62001fac47b127a5
atk	1.18.0	atk-1.18.0.tar.bz2	d58dfc3dbdad49d8c446e0bd4a0b6260d315ceb0
bdf2topcf	1.0.2	bdf2topcf-1.0.2.tar.bz2	245778068b5e5ccde07151635ded50da90333524
bigreqsproto	1.1.0	bigreqsproto-1.1.0.tar.bz2	32ae0505ec963cc5c0e3ee9258b126e6865d1b1b
cairo	1.8.10	cairo-1.8.10.tar.gz	fd5e8ca82ff0e8542ea4c51612cad387f2a49df3
compositeproto	0.4.1	compositeproto-0.4.1.tar.bz2	fb1ae34418855c313a75e8e697b414a4935e13d6
damageproto	1.2.0	damageproto-1.2.0.tar.bz2	ffe177a6ae2cf023d41e015aa6ece2b191cb8a8a
DirectFB	0.9.22	DirectFB-0.9.22.tar.gz	f3a586c654086c287cd1bcc683be0f234973ee17
dmxproto	2.3	dmxproto-2.3.tar.bz2	a3636d1b54d7bbf273f28c0d3c44101777047865
dri2proto	2.2	dri2proto-2.2.tar.bz2	21e9c0c7e0be5fe971f51589d0573b0273202b7f
encodings	1.0.3	encodings-1.0.3.tar.bz2	615b8367ee20fc50688e4876aa250419927d64cc
fixesproto	4.1.1	fixesproto-4.1.1.tar.bz2	fb47920c629e08a56442a51968a02a22733085e5
font-adobe-100dpi	1.0.1	font-adobe-100dpi-1.0.1.tar.bz2	814baccf5cf6c6545b7e8f3bbb377be369042d
font-adobe-75dpi	1.0.1	font-adobe-75dpi-1.0.1.tar.bz2	3cbcd8a4a3a6bbe6cc3d6e07a238f8c9ab7a26c
font-adobe-utopia-100dpi	1.0.2	font-adobe-utopia-100dpi-1.0.2.tar.bz2	e692c3d3933c47c69656be0fd0f06218c2db138d
font-adobe-utopia-75dpi	1.0.2	font-adobe-utopia-75dpi-1.0.2.tar.bz2	2db08c2e0186831e4d68f7a2ffb2f9fe598a7280
font-adobe-utopia-type1	1.0.2	font-adobe-utopia-type1-1.0.2.tar.bz2	565cb66523f59f02da02aa9e74604634a2113643
font-alias	1.0.2	font-alias-1.0.2.tar.bz2	9a0e97d974349e3a943b0ab77015f115f15d34c3
font-arabic-misc	1.0.1	font-arabic-misc-1.0.1.tar.bz2	d11a7bdce7500c3ccc2fe59505f2bc89e4c7aa2a
font-bh-100dpi	1.0.1	font-bh-100dpi-1.0.1.tar.bz2	4f3edda5dd35145cbd1ce8759e0a999b3a04f9c0
font-bh-75dpi	1.0.1	font-bh-75dpi-1.0.1.tar.bz2	7b891d5bfd966c405c19574bca8f87b8803146d1



**Page No. B- 14 of 23**  
**Certification Test Plan T59087.01**

Software Product	Software Version	Filename	sha1deep Hash Value
<b>DS200</b>			
font-bh-lucidatypewriter-100dpi	1.0.1	font-bh-lucidatypewriter-100dpi-1.0.1.tar.bz2	a1c9d28a619358092f7196473ff3e0f0dc5304d0
font-bh-lucidatypewriter-75dpi	1.0.1	font-bh-lucidatypewriter-75dpi-1.0.1.tar.bz2	26efd25d2802c8406a96ccc3240b2c14e511d49f
font-bh-ttf	1.0.1	font-bh-ttf-1.0.1.tar.bz2	0e9ffbc738072ca832cdf5f82bff071c67b71825
font-bh-type1	1.0.1	font-bh-type1-1.0.1.tar.bz2	b960d8523b02d4401dc6e1257f68dc120761ee4b
font-bitstream-100dpi	1.0.1	font-bitstream-100dpi-1.0.1.tar.bz2	ba163df365a591de5eb9e45fa302059d572dd171
font-bitstream-75dpi	1.0.1	font-bitstream-75dpi-1.0.1.tar.bz2	43344b8ff3b2c2fda8d4cdbc12c0688b2e04789
font-bitstream-type1	1.0.1	font-bitstream-type1-1.0.1.tar.bz2	53800b904fc3ead6b577a34fb7c1f96c1af4423f
fontconfig	2.8.0	fontconfig-2.8.0.tar.gz	570fb55eb14f2c92a7b470b941e9d35dbfafa716
font-cronyx-cyrillic	1.0.1	font-cronyx-cyrillic-1.0.1.tar.bz2	dfff5974629dab97677a70fa20e21c2cf48071a0
font-cursor-misc	1.0.1	font-cursor-misc-1.0.1.tar.bz2	5087a94e74f8157cb6989f71fb3b4815b236065a
font-daewoo-misc	1.0.1	font-daewoo-misc-1.0.1.tar.bz2	d169cecc4e92fe1e99f3ff6766d4c6edcbb808860
font-dec-misc	1.0.1	font-dec-misc-1.0.1.tar.bz2	2489d19650f2a787b476dab2fa2412d20b95f38e
font-ibm-type1	1.0.1	font-ibm-type1-1.0.1.tar.bz2	9bcf72bcabfcbe218ad3a96ba2a45e92ef9efbc3
font-isas-misc	1.0.1	font-isas-misc-1.0.1.tar.bz2	13fe07a669dd93dfdb08717a03efe47936ab9cea
font-jis-misc	1.0.1	font-jis-misc-1.0.1.tar.bz2	adb3275d19e71e9553aa8a5f5dc3b2c647277d8d4
font-micro-misc	1.0.1	font-micro-misc-1.0.1.tar.bz2	74a8be2b0b6ace97d8841356e88570f5fa3faad6
font-misc-cyrillic	1.0.1	font-misc-cyrillic-1.0.1.tar.bz2	c178f8a8b6897a8382a0f4315a5b577760ba703c
font-misc-ethiopic	1.0.1	font-misc-ethiopic-1.0.1.tar.bz2	2677191fd8b515c53bde6402513249fc0f48d53a
font-misc-meltho	1.0.1	font-misc-meltho-1.0.1.tar.bz2	d20d9f8ffdeb88b62842b021d5d3d2a8cc31ea2c
font-misc-misc	1.1.0	font-misc-misc-1.1.0.tar.bz2	83c44111b5727c26e52eb915b66dc6c9eba4c458
font-mutt-misc	1.0.1	font-mutt-misc-1.0.1.tar.bz2	b677831b477027f56ad3f35c95ef3cd6711f87ac
font-schumacher-misc	1.1.0	font-schumacher-misc-1.1.0.tar.bz2	ea7e009e222379fa31a16bdbd4ca5b1e9d412944
font-screen-cyrillic	1.0.2	font-screen-cyrillic-1.0.2.tar.bz2	4795ea77e14246122d21bc0fa68a3c0d5261e39d
font-sony-misc	1.0.1	font-sony-misc-1.0.1.tar.bz2	e9717546682382ebf3e6e7039766fe52bdb8846c
fontspROTO	2.1.0	fontspROTO-2.1.0.tar.bz2	395b300fd5120a7ff90cb8fea4e2356b9632dc3e
font-sun-misc	1.0.1	font-sun-misc-1.0.1.tar.bz2	fc91999e66fe479d07ea74e5dd2d950ff02ccb80
font-util	1.1.1	font-util-1.1.1.tar.bz2	6ee3af5466de84d61411e173e578a256aeb1074d
font-winitzki-cyrillic	1.0.1	font-winitzki-cyrillic-1.0.1.tar.bz2	d19f476710783d784dfdbcb6a1f34ef7746d3439
font-xfree86-type1	1.0.2	font-xfree86-type1-1.0.2.tar.bz2	09a4c9b8455f3f4954bfe9dd991d7fd1d0f5595a
freetype	2.3.12	freetype-2.3.12.tar.bz2	ebf0438429c0bedd310059326d91646c3c91016b
giflib	4.1.4	giflib-4.1.4.tar.bz2	2f9aed5d20d862270008bd2f8d4c91cf14c6067b
glib	2.12.12	glib-2.12.12.tar.bz2	527bcd2e6d38169c08c8712d5e3b6ebb0dc46b5
glproto	1.4.11	glproto-1.4.11.tar.bz2	7c2a723d488dc0e09e7e0e28bde838502d774b16
gtk+	2.10.13	gtk+-2.10.13.tar.bz2	8d00b928a8788ff86d97197c20c18d41f9a1b1cd
iceauth	1.0.3	iceauth-1.0.3.tar.bz2	b75b87fed108bc4fe14ef06f76025016fa54299a
ImageMagick	6.2.8-0	ImageMagick-6.2.8-0.tar.bz2	637569bbcb331233c86258f6c681d5a7c849cba0
inputproto	2.0	inputproto-2.0.tar.bz2	3ed9879b7dd3c14ae2283959f5962162fc01c219
intltool	0.40.6	intltool-0.40.6.tar.bz2	4f6469e09e2c06a8072dfff36f84ff401d7ea75

**Page No. B- 15 of 23**  
**Certification Test Plan T59087.01**

Software Product	Software Version	Filename	sha1deep Hash Value
<b>DS200</b>			
jdk-6u27	6u27	jdk-6u27-linux-i586.bin	7a01bf274b265662acafacd7b5740d1a3ab0539
jpeg-6b-destdir-1	v6b	jpeg-6b-destdir-1_patch	7b86d4e94a6350fc03f56b09565d780aa1f0eda4
jpegsrc	v6b	jpegsrc.v6b.tar.gz	7079f0d6c42fad0cfba382cf6ad322add1ace8f9
jre-6u27	6u27	jre-6u27-linux-i586.bin	5a3d2e304d6cf62ee6a56c322014cf3ceab2ad
kbproto	1.0.4	kbproto-1.0.4.tar.bz2	d300745389d3a80d90c9a3c989651f228db486e5
libdmx	1.1.0	libdmx-1.1.0.tar.bz2	8719434f167d476d53fca57c5be516c153354d60
libdrm	2.4.14	libdrm-2.4.14.tar.bz2	a18cc2cdfd02b8ba1c91c3e9ac609521ad3e2fe9
libfontenc	1.0.5	libfontenc-1.0.5.tar.bz2	e71370c349e93ba70f91ad1148ca9e5cabfcca4f
libFS	1.0.2	libFS-1.0.2.tar.bz2	41cf53fae37210acaa034199f01f36af3f3ec548
libICE	1.0.6	libICE-1.0.6.tar.bz2	ac1f702ea580bd496610266b13434858b62df9e1
libpciaccess	0.11.0	libpciaccess-0.11.0.tar.bz2	bcebba8b8441af151b59b63e8e91e66133b64158
libpng	1.2.42	libpng-1.2.42.tar.bz2	e41cea7af5e3065f4289de3742db87ded05b99d
libpthread-stubs	0.1	libpthread-stubs-0.1.tar.bz2	34ef40880d0112dc6d32b386d59ce94f2c139eef
librsvg	2.14.4	librsvg-2.14.4.tar.bz2	9314f0d44dbfe672dc1f1a65b66821593c3bf1ce
libSM	1.1.1	libSM-1.1.1.tar.bz2	dc535af7328dee9a6121b85c3f8041656681a195
libX11	1.3.3	libX11-1.3.3.tar.bz2	2a19724ccf78b5bb5a8eba9159d2b95e640e7b11
libXau	1.0.5	libXau-1.0.5.tar.bz2	b1c68843edf7e80ce952f7ee0541448f41bac202
libXaw	1.0.7	libXaw-1.0.7.tar.bz2	0e5effe33c4c44d960132e3dd50370134a28f8b2
libXcomposite	0.4.1	libXcomposite-0.4.1.tar.bz2	959180b067c64f3f7ac06e85400bd26e5579031
libXcursor	1.1.10	libXcursor-1.1.10.tar.bz2	096d0e538d37fd865705e5f45b0e96c7294c1f2f
libXdamage	1.1.2	libXdamage-1.1.2.tar.bz2	dc1fbc938e9bbc859c70cf2087440fc15b00bb1e
libXdmp	1.0.3	libXdmp-1.0.3.tar.bz2	7efd71d29d6c6fba797b8791398e4d81ade677d77
libXext	1.1.1	libXext-1.1.1.tar.bz2	c2eb8d8d760c6881e51c938812764d1d6cefd51c
libXfixes	4.0.4	libXfixes-4.0.4.tar.bz2	3f2d1c473855ba0cf13137a80d585df7fe37111c
libXfont	1.4.1	libXfont-1.4.1.tar.bz2	f8dc669760975b41885143f828b54164224c8a31
libXft	2.1.14	libXft-2.1.14.tar.bz2	e08ae6b1f56e160179b9f141b4ab799333ec725e
libXi	1.3	libXi-1.3.tar.bz2	7685f2881ce40b13028d9409eedbb9cf1ed0d8ef
libXinerama	1.1	libXinerama-1.1.tar.bz2	5f445194ef3318f66c287c0c69f778988a3f9266
libxkbfile	1.0.6	libxkbfile-1.0.6.tar.bz2	6364e0679eb893d6fbb6adcf0e8230cdefe0b68
libXmu	1.0.5	libXmu-1.0.5.tar.bz2	e7ff5960f2374852b941f909cdbdeafe7d29322f
libXpm	3.5.8	libXpm-3.5.8.tar.bz2	3bfc833ed4527f74b1c66c386da62271d0313413
libXrandr	1.3.0	libXrandr-1.3.0.tar.bz2	33dd2f67060465f872db9ea03f597e28517f0c8e
libXrender	0.9.5	libXrender-0.9.5.tar.bz2	278f762feb8e754aa5214175abf580ff486281f7
libXres	1.0.4	libXres-1.0.4.tar.bz2	d5ee9560a61666e6bb3d2285b9634fcd7211d65
libXScrnSaver	1.2.0	libXScrnSaver-1.2.0.tar.bz2	ea2935eb67efa77fd90372337f2d782a8ef74cea
libXt	1.0.7	libXt-1.0.7.tar.bz2	3c285b9c04a393dec1cc3d60cf5582d798eb3272
libXtst	1.1.0	libXtst-1.1.0.tar.bz2	4363e9285bfb5a884073efacc50d39edb803a1a5
libXv	1.0.5	libXv-1.0.5.tar.bz2	3936dd661e75d173b9fd1da9d97e5720e965725
libXvMC	1.0.5	libXvMC-1.0.5.tar.bz2	153b85884f22b882cecb9fc462fe24c669a80dbd
libXxf86dga	1.1.1	libXxf86dga-1.1.1.tar.bz2	a93004cfbe4fd6bc37c6645705d5a6d90c0940b7

**Page No. B- 16 of 23**  
**Certification Test Plan T59087.01**

Software Product	Software Version	Filename	sha1deep Hash Value
<b>DS200</b>			
libXxf86vm	1.1.0	libXxf86vm-1.1.0.tar.bz2	f5ce7854f201d9c69dfcdd13123b51f497b69a47
makedepend	1.0.2	makedepend-1.0.2.tar.bz2	57e092856580d9984e47c4b1433b69391de07df 3
mkfontdir	1.0.5	mkfontdir-1.0.5.tar.bz2	971728b0f4535aedf028aa5d54fe3fbbdb8e99a7d
mkfontscale	1.0.7	mkfontscale-1.0.7.tar.bz2	0a0c25da68c87380e2c013c808a6e0cc0983fae9
pango	1.16.4	pango-1.16.4.tar.bz2	6a21126632ed99950818c64d8598b6e92fa7da58
pixman	0.15.20	pixman-0.15.20.tar.gz	a5f973b6895e269731964fbc328f61a8cbfcd931
randrproto	1.3.1	randrproto-1.3.1.tar.bz2	36731bae6e815453af4b055c26ad8e9e2653ca05
recordproto	1.14	recordproto-1.14.tar.bz2	212928572898ed150366c6026e2694b193ff9f79
renderproto	0.11	renderproto-0.11.tar.bz2	d30cf508b1a1b5f0deb1c6db41ba2f4e57680637
resourceproto	1.1.0	resourceproto-1.1.0.tar.bz2	36b86840005c15e393c86d7075688d430ab2a11 d
scrnssaverproto	1.2.0	scrnssaverproto-1.2.0.tar.bz2	c734cfe9a1ce57fd42957389dce90518fd7ca6b6
sessreg	1.0.5	sessreg-1.0.5.tar.bz2	d1dac6a398b23ed44bb67286ec083e9071bd00e7
setxkbmap	1.1.0	setxkbmap-1.1.0.tar.bz2	f02f93a08ac060d760566693c748e0fba3db8a06
smproxy	1.0.3	smproxy-1.0.3.tar.bz2	1ba44a4a58b05d6a6f7c4b1f67b793dce2ccf2ba
splashy	0.3.12	splashy-0.3.12.tar.gz	4e721222b20b8fd3fbb8c845ed5c0f05ccea68a
tiff	3.8.2	tiff-3.8.2.tar.gz	549e67b6a15b42bfcdd72fe17cda7c9a198a393eb
twm	1.0.4	twm-1.0.4.tar.bz2	7456e90f19e4747e1785f596b93f692d68a9f079
util-macros	1.5.0	util-macros-1.5.0.tar.bz2	ac61387be2a0b97f839041832bd8d06e03cfc942
videoproto	2.3.0	videoproto-2.3.0.tar.bz2	4aef2b438d45b3ab75e640996ce1267d3468f48c
x11perf	1.5.1	x11perf-1.5.1.tar.bz2	d1f85da3df5b216b64c1735d109380214787222d
xauth	1.0.4	xauth-1.0.4.tar.bz2	90d32f28bb61ca6d831dcc35429a5ad53be73283
xbacklight	1.1.1	xbacklight-1.1.1.tar.bz2	3541ab5e0956b4f0c97b1200dc32a35d2ccb0f0f
xbitmaps	1.1.0	xbitmaps-1.1.0.tar.bz2	845b825f7e6d193d47db8b67ae8332d87ef8c2b3
xclock	1.0.4	xclock-1.0.4.tar.bz2	1987cafb3163c6b68bc7ecfbc143c8cd373d64bb
xcmiscproto	1.2.0	xcmiscproto-1.2.0.tar.bz2	1a55e042b33c0e0aaf2299942315a5208d644707
xcmsdb	1.0.2	xcmsdb-1.0.2.tar.bz2	8341f7219a5720da758b0571eb1f4d9072265485
xcursorgen	1.0.3	xcursorgen-1.0.3.tar.bz2	7df26b371476654dc191c45e7d20ae3a5e0cad87
xcursor-themes	1.0.2	xcursor-themes-1.0.2.tar.bz2	12b865c17c65e70a6bc20300dfa660fe8faaa0a4
xdpyinfo	1.1.0	xdpyinfo-1.1.0.tar.bz2	01971f007048a46a4a31a69c661bc3a378de60f0
xdriinfo	1.0.3	xdriinfo-1.0.3.tar.bz2	d211d6f12f4c801d2f4cf184c6daae37aa5858ff
xev	1.0.4	xev-1.0.4.tar.bz2	4f62e131ba96842eef1660e8869533cd3923ac35
xextproto	7.1.1	xextproto-7.1.1.tar.bz2	1bb4bd12d65a17b3168dc9b4e028b33a2f7b2cad
xf86bigfontproto	1.2.0	xf86bigfontproto-1.2.0.tar.bz2	312a2ea708b257520c1af4393b69d73a393a478f
xf86dgaproto	2.1	xf86dgaproto-2.1.tar.bz2	97a06120e7195c968875e8ba4e28c90ab54948b
xf86driproto	2.1.0	xf86driproto-2.1.0.tar.bz2	0dfc6616ffc68ca3c3b5decbe1e365aaa93be8548
xf86-input-keyboard	1.4.0	xf86-input-keyboard- 1.4.0.tar.bz2	5061fdaff8b7ddcbcca82f065c4abbfff255a1da
xf86-input-mouse	1.5.0	xf86-input-mouse-1.5.0.tar.bz2	b9213bf745b793a3da2c946ea4d8ee5768e560f4
xf86-video-vesa	2.3.0	xf86-video-vesa-2.3.0.tar.bz2	4689b7c295d7a8d7326302dafecb812739617134
xf86vidmodeproto	2.3	xf86vidmodeproto-2.3.tar.bz2	22d034c2f66985f8541b9ea3421096ceaa006355

**Page No. B- 17 of 23**  
**Certification Test Plan T59087.01**

<b>Software Product</b>	<b>Software Version</b>	<b>Filename</b>	<b>sha1deep Hash Value</b>
<b>DS200</b>			
Xgamma	1.0.3	xgamma-1.0.3.tar.bz2	f9c7d93f4b271bab41ee3c91b371d52572e4e08c
xhost	1.0.3	xhost-1.0.3.tar.bz2	ebcdccdc908e642e527eebbde6ba8084d90c04f6
xineramaproto	1.2	xineramaproto-1.2.tar.bz2	3c397c9ea38aaae785dd7901f250891dfa7f3249
xinit	1.2.0	xinit-1.2.0.tar.bz2	85a838c2010f27ef6d09d6ec4b1208a66cc8d697
xinput	1.5.0	xinput-1.5.0.tar.bz2	02d1ccc83007aa7848b1b024ac64c310303f973e
xkbcomp	1.1.1	xkbcomp-1.1.1.tar.bz2	aeb733c495d7afd42136bf8ae5c6e792c63f0b4b
xkbevd	1.1.0	xkbevd-1.1.0.tar.bz2	b510b4a1b7486beacb5570c204f7fdd4b61f0ab4
xkbutils	1.0.2	xkbutils-1.0.2.tar.bz2	2c025038ca12ee2494b2401ea2c12c74fe88bf91
xkeyboard-config	1.7	xkeyboard-config-1.7.tar.bz2	d6df43bfc0596be04865f2be7c4e794e198358c8
xkill	1.0.2	xkill-1.0.2.tar.bz2	90f08652859df71b682c3b9163ebf72ce88c4bc
xlsatoms	1.0.2	xlsatoms-1.0.2.tar.bz2	3855734b5ec0d43b5886ac0ffa58d7cf96f46926
xlsclients	1.0.2	xlsclients-1.0.2.tar.bz2	5cde39a28c5352d1d555714836f57c05197e419d
XML-Parser	2.36	XML-Parser-2.36.tar.gz	74acac4f939ebf788d8ef5163c3c9802b1b04bfa
xmodmap	1.0.4	xmodmap-1.0.4.tar.bz2	9b49388bb527a8f7b7e86c4aa475a83372f6baa
xorg-server	1.7.1	xorg-server-1.7.1.tar.bz2	d31e259b3ab975e2c1baea8f7310b57152ae3c62
xpr	1.0.3	xpr-1.0.3.tar.bz2	9dbd0ff136b61228e00d92d0c7675a4207b1c4a
xprop	1.1.0	xprop-1.1.0.tar.bz2	16b377c76a4a010200063a056e7a5e244ab6ff00
xproto	7.0.16	xproto-7.0.16.tar.bz2	0eda5588d42f2c810d8491da44fe84a4093e12bc
xrandr	1.3.2	xrandr-1.3.2.tar.bz2	0e49b0a0889ae8a590452c6cd0d60a2253a8d940
xrdb	1.0.6	xrdb-1.0.6.tar.bz2	e4faff5e02b3027298dc589e318a6dc7eb30a6d5
xrefresh	1.0.3	xrefresh-1.0.3.tar.bz2	3f34cecca9509f47e60ddfe14a98225eaffeba705
xset	1.1.0	xset-1.1.0.tar.bz2	ff4295442821826092b17248c1ad65e16cd860ef
xsetroot	1.0.3	xsetroot-1.0.3.tar.bz2	56ed1df9834627a107550475629df51275cd0c44
xterm	254	xterm-254.tgz	934811737745b76ca75b940feb975943bf1084d
xtrans	1.2.5	xtrans-1.2.5.tar.bz2	e8c4ce58b42d05e613fe535319a7d7f45f30f3e9
xvinfo	1.1.0	xvinfo-1.1.0.tar.bz2	8695bfb597dbf3ed8e3277fddda4722da21baaa3
xwd	1.0.3	xwd-1.0.3.tar.bz2	f6708d14040630d1d3255987c28efcbf7aee05aa
xwininfo	1.0.5	xwininfo-1.0.5.tar.bz2	9730db0d1bd75b8bc5bc399f56cab9f5aee3bcfc
xwud	1.0.2	xwud-1.0.2.tar.bz2	15a6c5e3ffc03b7e8e597947061940fee6c0a9fc

**Page No. B- 18 of 23**  
**Certification Test Plan T59087.01**

Software Product	Software Version	Filename	sha1deep Hash Value
<b>DS850</b>			
BAPIS	412	COTS-412.tar.bz2	07e4317efb1eee055046a2a55bacb2a0b1b92608
cryptocme	3.0	cryptocme-3.0-rhel30.tar.gz	4fe8c6a6d6dbf524cfa88e3e6cf195447afc67977
Linux From Scratch	6.2.5	lfslivecd-x86-6.2-5.iso	b3e3947bf2c3616fa45541c0643a2adfa0618207
<b>lfs_enhanced-2.4.0.0m-src.tar</b>			
alsa-lib	1.0.13	alsa-lib-1.0.13.tar.bz2	82fa9a7fcb43b319524b18451ca86d691a20f4a3
alsa-utils	1.0.13	alsa-utils-1.0.13.tar.bz2	05b460a0e7ae6519ea37240476f026b59dbc710d
aumix	2.8	aumix-2.8.tar.bz2	5cea563ae91f628433a1950a36efd23681da4bf4
beecrypt	4.1.2	beecrypt-4.1.2.tar.gz	71ceb3329bb2561ffba24a2004dfac50b143f59
blfs-bootscripts	20060910	blfs-bootscripts-20060910.tar.bz2	58ff10492f9abcecd6ca4a105c479d5f2e3e8002
BLFS-ca-bundle	3.12.5	BLFS-ca-bundle-3.12.5.tar.bz2	8cf4be3072184940f8cfc3888ef0ba1cb58a5377
boost	1.43.0	boost_1_43_0.tar.bz2	b8257b7da2a7222739314f8d1e07e217debe71d6
chkrootkit	0.49	chkrootkit-0.49.tar.gz	cec1a3c482b95b20d3a946b07fffb23290abc4a6
coreutils	6.9	coreutils-6.9.tar.bz2	10310a78c4e1d9f742f3815ac28e9bf1086a5885
cpio	2.6	cpio-2.6.tar.gz	5a4ea156519909994fe05933dc823abc0f7e3e21
cpio-security_fixes-1	2.6	cpio-2.6-security_fixes-1.patch	d8445256032b903bbd3cee2694e87412e7dca843
ctags	5.6	ctags-5.6.tar.gz	930afaa138624717393fe475201f795251bd5e5e
curl	7.15.3	curl-7.15.3.tar.bz2	7e764126ce564429fe2f142428a27cbfc8fb69ee
cvs	1.11.22	cvs-1.11.22.tar.bz2	5dfa11da84a890d7d61516fd450c001dc24bcc0d
cvs-zlib-1	1.11.22	cvs-1.11.22-zlib-1.patch	0d20bab8a6b6e419a8c900d082b487ad6a3aec38
dmidecode	2.9	dmidecode-2.9.tar.bz2	0346690d32120b9fff22accd5b4e731414a3676b
docbook-xsl	1.69.1	docbook-xsl-1.69.1.tar.bz2	aaabf0e274609134e187a6c36d2be23f3471f507
dosfstools	2.11	dosfstools-2.11.src.tar.gz	b0d8714475ca7c7a96a46adf7c4839d69ce2f412
expat	2.0.1	expat-2.0.1.tar.gz	663548c37b996082db1f2f2c32af060d7aa15c2d
fuse	2.6.1	fuse-2.6.1.tar.gz	85ec4458d0ab2647b6b43605f020006d89981ed
gnupg	1.4.3	gnupg-1.4.3.tar.bz2	9e96b36e4f4d1e8bc5028c99fac674482cbd370
gpm	1.20.1	gpm-1.20.1.tar.bz2	c48d937e62abb438c2f6439b34ef3332c89af8d1
gpm-segfault-1	1.20.1	gpm-1.20.1-segfault-1.patch	da53bf78a0ebaa5020e332aa6d6861159170ed86
gpm-silent-1	1.20.1	gpm-1.20.1-silent-1.patch	8899a212eadfba201d8da3e44590bd05b97f9f6
libao	0.8.6	libao-0.8.6.tar.gz	2050e008ffcd6803e2c2c03c7d5f469b6d8379e
libogg	1.1.3	libogg-1.1.3.tar.gz	a3e495a8baf6939efad7e0bd11cc0e466838c3db
libusb	0.1.12	libusb-0.1.12.tar.gz	599a5168590f66bc6f1f9a299579fd8500614807
libvorbis	1.1.2	libvorbis-1.1.2.tar.gz	26289fc41aa5436b1a277d726bb5cb106d675c35
libxml2	2.6.31	libxml2-2.6.31.tar.gz	97233a210425bad96b35e52aa3e0010ac11bbcc9
libxslt	1.1.22	libxslt-1.1.22.tar.gz	55ce4dc659681d9a5ba2322c45cbdf75b46639c
logrotate	3.7.8	logrotate-3.7.8.tar.gz	5742dc0d9541ac59eba5f5718520f7504aea2159
LPRng	3.8.28	LPRng-3.8.28.tgz	f4373004adb1439819600701bb98517137daf1fc
net-tools	1.60	net-tools-1.60.tar.bz2	944fb70641505d5d1139dba3aeb81ba124574b83
net-tools	1.60	net-tools-1.60.tar.gz	4e8100957be645241d685055ebdde9d5c744cb54
net-tools-gcc34-3	1.60	net-tools-1.60-gcc34-3.patch	a92286932a423fc987f2a152931d05b0a9a312bd
net-tools-gcc34-3	1.60	net-tools-1.60-gcc34-3.patch	a92286932a423fc987f2a152931d05b0a9a312bd
net-tools-kernel_headers-2	1.60	net-tools-1.60-kernel_headers-2.patch	3e59577e904582503b25c7b21f6e3b77b165f84a

**Page No. B- 19 of 23**  
**Certification Test Plan T59087.01**

Software Product	Software Version	Filename	sha1deep Hash Value
<b>DS850</b>			
net-tools-kernel_headers-2	1.60	net-tools-1.60-kernel_headers-2.patch	3e59577e904582503b25c7b21f6e3b77b165f84a
net-tools-mii_ioctl-1	1.60	net-tools-1.60-mii_ioctl-1.patch	912613acbf3a000a2935391a14e55b5ccdeae6b
net-tools-mii_ioctl-1	1.60	net-tools-1.60-mii_ioctl-1.patch	912613acbf3a000a2935391a14e55b5ccdeae6b
ntfsprogs	1.13.1	ntfsprogs-1.13.1.tar.gz	a4e50f6fc10fcc1e1f562ad64bcfb9a0d46ca72a
nut	2.2.2	nut-2.2.2.tar.gz	f54cc909b229931fb91b4a360f0447b539d4ea6b
openssh	4.5p1	openssh-4.5p1.tar.gz	2eefcbb9e4fa16fa4500dec107d1a09d3d02d7
openssl	0.9.8n	openssl-0.9.8d-fix_manpages-1.patch	afb498051e466131ae90dfc678234e8876af88a4
openssl-fix_manpages-1	0.9.8n	openssl-0.9.8n.tar.gz	595f5ebf592568515964f0adc62239e7012ef08b
pkg-config	0.22	pkg-config-0.22.tar.gz	3ec40bda9864d7aa3c912c6ae87a750fd8b6e420
popt	1.10.4	popt-1.10.4.tar.gz	10e6649c4c37ecfb6fb4296aeca609b5fdd5e34d
ppp	2.4.4	ppp-2.4.4.tar.gz	9b91b0117e0a8bfaf8c4e894af79e0960dd36259
Python	2.4.4	Python-2.4.4.tar.bz2	9e0971f93df8acb947378d0d16a32fcc8897ba2
Python-gdbm-1	2.4.4	Python-2.4.4-gdbm-1.patch	34c3973ba2e519eaf1fd0ecf28ec465ed08bb96d
unzip552	5.52	unzip-5.52-security_fix-1.patch	7f6a287c0b480bc4748abd69429dfc76383e1d6
unzip-security_fix-1	5.52	unzip552.tar.gz	1831bd59b9e607a69052f83b263384895e2d4a19
usbutils	0.72	usbutils-0.72.tar.gz	891b8825d964880146d5c980e52bb9e23d92fe2b
vorbis-tools	1.1.1	vorbis-tools-1.1.1.tar.gz	a1394b39905b389d72f12c2a9f0c86a33d07a487
vorbis-tools-utf8-1	1.1.1	vorbis-tools-1.1.1-utf8-1.patch	35db6e412cc9df5d8b88b58cae5f2e514bc17823
xerces-c-src	2.8.0	xerces-c-src_2_8_0.tar.gz	f0803b1330daec3f44b17dee643c99de6b3cd3e
xsd	3.1.0-i686-linux-gnu	xsd-3.1.0-i686-linux-gnu.tar.bz2	a7bf9b26ff5ab577fcfeccc9ea76134da88ec7e2
zip232	2.32	zip232.tar.gz	5bc562bf95d9aee0cb6625e6038898e1f191a4aa
<b>lfs_graphics-2.4.0m-src.tar</b>			
a2ps	4.14	a2ps-4.14.tar.gz	365abbbe4b7128bf70dad16d06e23c5701874852
atk	1.18.0	atk-1.18.0.tar.bz2	d58dfc3dbdad49d8c446e0bd4a0b6260d315ceb0
bdftopcf	1.0.2	bdftopcf-1.0.2.tar.bz2	245778068b5e5ccde07151635ded50da90333524
bigreqsproto	1.1.0	bigreqsproto-1.1.0.tar.bz2	32ae0505ec963cc5c0e3ee9258b126e6865d1b1b
cairo	1.4.14	cairo-1.4.14.tar.gz	63310243ba8af949060b06c01fc28ee5471ed5a4
compositeproto	0.4.1	compositeproto-0.4.1.tar.bz2	fb1ae34418855c313a75e8e697b414a4935e13d6
damageproto	1.2.0	damageproto-1.2.0.tar.bz2	ffe177a6ae2cf023d41e015aa6ece2b191cb8a8a
DirectFB	0.9.22	DirectFB-0.9.22.tar.gz	f3a586c654086c287cd1bcc683be0f234973ee17
dmxproto	2.3	dmxproto-2.3.tar.bz2	a3636d1b54d7bbf273f28c0d3c44101777047865
dri2proto	2.2	dri2proto-2.2.tar.bz2	21e9c0c7e0be5fe971f51589d0573b0273202b7f
encodings	1.0.3	encodings-1.0.3.tar.bz2	615b8367ee20fc50688e4876aa250419927d64cc
fbida	2.07	fbida-2.07.tar.gz	4758178299e09d5251b9cf20337a81cc20553d45
fixesproto	4.1.1	fixesproto-4.1.1.tar.bz2	fb47920c629e08a56442a51968a02a22733085e5
font-adobe-100dpi	1.0.1	font-adobe-100dpi-1.0.1.tar.bz2	814baccf5cf6c6545b7e8f3bbbad377be369042d
font-adobe-75dpi	1.0.1	font-adobe-75dpi-1.0.1.tar.bz2	3cbcd8a4a3a6bbe6ccdd3d6e07a238f8c9ab7a26c

**Page No. B- 20 of 23**  
**Certification Test Plan T59087.01**

<b>Software Product</b>	<b>Software Version</b>	<b>Filename</b>	<b>sha1deep Hash Value</b>
<b>DS850</b>			
font-adobe-utopia-100dpi	1.0.2	font-adobe-utopia-100dpi-1.0.2.tar.bz2	e692c3d3933c47c69656be0fd0f06218c2db138d
font-adobe-utopia-75dpi	1.0.2	font-adobe-utopia-75dpi-1.0.2.tar.bz2	2db08c2e0186831e4d68f7a2ffb2f9fe598a7280
font-adobe-utopia-type1	1.0.2	font-adobe-utopia-type1-1.0.2.tar.bz2	565cb66523f59f02da02aa9e74604634a2113643
font-alias	1.0.2	font-alias-1.0.2.tar.bz2	9a0e97d974349e3a943b0ab77015f115f15d34c3
font-arabic-misc	1.0.1	font-arabic-misc-1.0.1.tar.bz2	d11a7bdce7500c3ccc2fe59505f2bc89e4c7aa2a
font-bh-100dpi	1.0.1	font-bh-100dpi-1.0.1.tar.bz2	4f3edda5dd35145cbd1ce8759e0a999b3a04f9c0
font-bh-75dpi	1.0.1	font-bh-75dpi-1.0.1.tar.bz2	7b891d5bfd966c405c19574bca8f7b8803146d1
font-bh-lucidatypewriter-100dpi	1.0.1	font-bh-lucidatypewriter-100dpi-1.0.1.tar.bz2	a1c9d28a619358092f7196473ff3fe0f0dc5304d0
font-bh-lucidatypewriter-75dpi	1.0.1	font-bh-lucidatypewriter-75dpi-1.0.1.tar.bz2	26efd25d2802c8406a96ccc3240b2c14e511d49f
font-bh-ttf	1.0.1	font-bh-ttf-1.0.1.tar.bz2	0e9ffbc738072ca832cdf5f82bff071c6b7b1825
font-bh-type1	1.0.1	font-bh-type1-1.0.1.tar.bz2	b960d8523b02d4401dc6e1257f68dc120761ee4b
font-bitstream-100dpi	1.0.1	font-bitstream-100dpi-1.0.1.tar.bz2	ba163df365a591de5eb9e45fa302059d572dd171
font-bitstream-75dpi	1.0.1	font-bitstream-75dpi-1.0.1.tar.bz2	43344b8ff3b2c2fda8d4cdbc12c0688b2e04789
font-bitstream-type1	1.0.1	font-bitstream-type1-1.0.1.tar.bz2	53800b904fc3ead6b577a34fb7c1f96c1af4423f
fontconfig	2.8.0	fontconfig-2.8.0.tar.gz	570fb55eb14f2c92a7b470b941e9d35dbfafa716
font-cronyx-cyrillic	1.0.1	font-cronyx-cyrillic-1.0.1.tar.bz2	dfff5974629dab97677a70fa20e21c2cf48071a0
font-cursor-misc	1.0.1	font-cursor-misc-1.0.1.tar.bz2	5087a94e74f8157cb698971fb3b4815b236065a
font-daewoo-misc	1.0.1	font-daewoo-misc-1.0.1.tar.bz2	d169cec4e92fe1e99f3ff6766d4c6edcbb808860
font-dec-misc	1.0.1	font-dec-misc-1.0.1.tar.bz2	2489d19650f2a787b476dab2fa2412d20b95f38e
font-ibm-type1	1.0.1	font-ibm-type1-1.0.1.tar.bz2	9bcf72bcabfcb218ad3a96ba2a45e92ef9efbc3
font-isas-misc	1.0.1	font-isas-misc-1.0.1.tar.bz2	13fe07a669dd93dfdb08717a03efe47936ab9cea
font-jis-misc	1.0.1	font-jis-misc-1.0.1.tar.bz2	adb3275d19e71e9553aa8a5fcd3b2c647277d8d4
font-micro-misc	1.0.1	font-micro-misc-1.0.1.tar.bz2	74a8be2b0b6ace97d8841356e88570f5fa3faad6
font-misc-cyrillic	1.0.1	font-misc-cyrillic-1.0.1.tar.bz2	c178f8a8b6897a8382a0f4315a5b577760ba703c
font-misc-ethiopic	1.0.1	font-misc-ethiopic-1.0.1.tar.bz2	2677191fd8b515c53bde6402513249fc0f48d53a
font-misc-meltho	1.0.1	font-misc-meltho-1.0.1.tar.bz2	d20d9f8ffdeb88b62842b021d5d3d2a8cc31ea2c
font-misc-misc	1.1.0	font-misc-misc-1.1.0.tar.bz2	83c44111b5727c26e52eb915b66dc6c9eba4c458
font-mutt-misc	1.0.1	font-mutt-misc-1.0.1.tar.bz2	b677831b477027f56ad3f35c95ef3cd6711f87ac
font-schumacher-misc	1.1.0	font-schumacher-misc-1.1.0.tar.bz2	ea7e009e222379fa31a16bdbd4ca5b1e9d412944
font-screen-cyrillic	1.0.2	font-screen-cyrillic-1.0.2.tar.bz2	4795ea77e14246122d21bc0fa68a3c0d5261e39d
font-sony-misc	1.0.1	font-sony-misc-1.0.1.tar.bz2	e9717546682382ebf3e6e7039766fe52bdb8846c
fontspROTO	2.1.0	fontspROTO-2.1.0.tar.bz2	395b300fd5120a7ff90cb8fea4e2356b9632dc3e
font-sun-misc	1.0.1	font-sun-misc-1.0.1.tar.bz2	fc91999e66fe479d07ea74e5dd2d950ff02ccb80
font-util	1.1.1	font-util-1.1.1.tar.bz2	6ee3af5466de84d61411e173e578a256aeb1074d
font-winitzki-cyrillic	1.0.1	font-winitzki-cyrillic-1.0.1.tar.bz2	d19f476710783d784dfdbcb6a1f34ef7746d3439
font-xfree86-type1	1.0.2	font-xfree86-type1-1.0.2.tar.bz2	09a4c9b8455f3f4954bfe9dd991d7fd1d0f5595a

**Page No. B- 21 of 23**  
**Certification Test Plan T59087.01**

<b>Software Product</b>	<b>Software Version</b>	<b>Filename</b>	<b>sha1deep Hash Value</b>
<b>DS850</b>			
Freetype	2.3.12	freetype-2.3.12.tar.bz2	ebf0438429c0bedd310059326d91646c3c91016b
giflib	4.1.4	giflib-4.1.4.tar.bz2	2f9aed5d20d862270008bd2f8d4c91cf14c6067b
glib	2.12.12	glib-2.12.12.tar.bz2	527bcd2e6d38169c08c8712d5e3b6ebb0dc46b5
glproto	1.4.11	glproto-1.4.11.tar.bz2	7c2a723d488dc0e09e7e0e28bde838502d774b16
gperf	3.0.3	gperf-3.0.3.tar.gz	3c535d2727eb0dca10ca87cefa03720a8280c7a2
gtk+	2.10.13	gtk+-2.10.13.tar.bz2	8d00b928a8788ff86d97197c20c18d41f9a1b1cd
iceauth	1.0.3	iceauth-1.0.3.tar.bz2	b75b87fed108bc4fe14ef06f76025016fa54299a
ImageMagick	6.2.8-0	ImageMagick-6.2.8-0.tar.bz2	637569bbcb331233c86258f6c681d5a7c849cba0
inputproto	2.0	inputproto-2.0.tar.bz2	3ed9879b7dd3c14ae2283959f5962162fc01c219
intltool	0.40.6	intltool-0.40.6.tar.bz2	4f6469e09e2c06a8072dff3f84ff401d7ea75
jpeg-6b-destdir-1	v6b	jpeg-6b-destdir-1.patch	7b86d4e94a6350fc03f56b09565d780aa1f0eda4
jpegsrc	v6b	jpegsrc.v6b.tar.gz	7079f0d6c42fad0cfba382cf6ad322add1ace8f9
kbproto	1.0.4	kbproto-1.0.4.tar.bz2	d300745389d3a80d90c9a3c989651f228db486e5
libdmx	1.1.0	libdmx-1.1.0.tar.bz2	8719434f167d476d53fca57c5be516c153354d60
libdrm	2.4.14	libdrm-2.4.14.tar.bz2	a18cc2cdfd02b8ba1c91c3e9ac609521ad3e2fe9
libexif	0.6.19	libexif-0.6.19.tar.bz2	820f07ff12a8cc720a6597d46277f01498c8aba4
libfontenc	1.0.5	libfontenc-1.0.5.tar.bz2	e71370c349e93ba70f91ad1148ca9e5cabfcca4f
libFS	1.0.2	libFS-1.0.2.tar.bz2	41cf53fae37210acaa034199f01f36af3f3ec548
libICE	1.0.6	libICE-1.0.6.tar.bz2	ac1f702ea580bd496610266b13434858b62df9e1
libpciaccess	0.11.0	libpciaccess-0.11.0.tar.bz2	bcebba8b8441af151b59b63e8e91e66133b64158
libpng	1.2.42	libpng-1.2.42.tar.bz2	e41cea7a6f5e3065f4289de3742db87ded05b99d
libpthread-stubs	0.1	libpthread-stubs-0.1.tar.bz2	34ef40880d0112dc6d32b386d59ce94f2c139eef
librsvg	2.14.4	librsvg-2.14.4.tar.bz2	9314f0d44dbfe672dc1f1a65b66821593c3bf1ce
libSM	1.1.1	libSM-1.1.1.tar.bz2	dc535af7328dee9a6121b85c3f8041656681a195
libX11	1.3.3	libX11-1.3.3.tar.bz2	2a19724ccf78b5bb5a8eba9159d2b95e640e7b11
libXau	1.0.5	libXau-1.0.5.tar.bz2	b1c68843edf7e80ce952f7ee0541448f41bac202
libXaw	1.0.7	libXaw-1.0.7.tar.bz2	0e5effe33c4c44d960132e3dd50370134a28f8b2
libXcomposite	0.4.1	libXcomposite-0.4.1.tar.bz2	959180b067c64f3f7ac06e85400bd265e5579031
libXcursor	1.1.10	libXcursor-1.1.10.tar.bz2	096d0e538d37fd865705e5f45b0e96c7294c1f2f
libXdamage	1.1.2	libXdamage-1.1.2.tar.bz2	dc1fbc938e9bbc859c70cf2087440fc15b00bb1e
libXdmp	1.0.3	libXdmp-1.0.3.tar.bz2	7efd71d29d6cfba797b8791398e4d81ade677d77
libXext	1.1.1	libXext-1.1.1.tar.bz2	c2eb8d8d760c6881e51c938812764d1d6ceed51c
libXfixes	4.0.4	libXfixes-4.0.4.tar.bz2	3f2d1c473855ba0cf13137a80d585df7fe37111c
libXfont	1.4.1	libXfont-1.4.1.tar.bz2	f8dc669760975b41885143f828b54164224c8a31
libXft	2.1.14	libXft-2.1.14.tar.bz2	e08ae6b1f56e160179b9f141b4ab799333ec725e
libXi	1.3	libXi-1.3.tar.bz2	7685f2881ce40b13028d9409eedbb9cf1ed0d8ef
libXinerama	1.1	libXinerama-1.1.tar.bz2	5f445194ef3318f66c287c0c69f778988a3f9266
libxkbfile	1.0.6	libxkbfile-1.0.6.tar.bz2	6364e0679eb893d6fb6adcf0e8230cfdefe0b68



**Page No. B- 22 of 23**  
**Certification Test Plan T59087.01**

Software Product	Software Version	Filename	sha1deep Hash Value
<b>DS850</b>			
LibXmu	1.0.5	libXmu-1.0.5.tar.bz2	e7ff5960f2374852b941f909cdbdeafe7d29322f
libXpm	3.5.8	libXpm-3.5.8.tar.bz2	3bfc833ed4527f74b1c66c386da62271d0313413
libXrandr	1.3.0	libXrandr-1.3.0.tar.bz2	33dd2f67060465f872db9ea03f597e28517f0c8e
libXrender	0.9.5	libXrender-0.9.5.tar.bz2	278f762feb8e754aa5214175abf580ff486281f7
libXres	1.0.4	libXres-1.0.4.tar.bz2	d5ee9560a61666e6bb3d2285b9634fccd7211d65
libXScrnSaver	1.2.0	libXScrnSaver-1.2.0.tar.bz2	ea2935eb67efa77fd90372337f2d782a8ef74cea
libXt	1.0.7	libXt-1.0.7.tar.bz2	3c285b9c04a393dec1cc3d60cf5582d798eb3272
libXtst	1.1.0	libXtst-1.1.0.tar.bz2	4363e9285bfb5a884073efacc50d39edb803a1a5
libXv	1.0.5	libXv-1.0.5.tar.bz2	3936dd661e75d173b9fd1da9d97e5720e9657254
libXvMC	1.0.5	libXvMC-1.0.5.tar.bz2	153b85884f22b882cecb9fc462fe24c669a80dbd
libXxf86dga	1.1.1	libXxf86dga-1.1.1.tar.bz2	a93004cfbe4fd6bc37c6645705d5a6d90c0940b7
libXxf86vm	1.1.0	libXxf86vm-1.1.0.tar.bz2	f5ce7854f201d9c69dfcdd13123b51f497b69a47
makedepend	1.0.2	makedepend-1.0.2.tar.bz2	57e092856580d9984e47c4b1433b69391de07df3
mkfontdir	1.0.5	mkfontdir-1.0.5.tar.bz2	971728b0f453ea5df028aa5d54fe3fbd8e99a7d
mkfontscale	1.0.7	mkfontscale-1.0.7.tar.bz2	0a0c25da68c87380e2c013c808a6e0cc0983fae9
pango	1.16.4	pango-1.16.4.tar.bz2	6a21126632ed99950818c64d8598b6e92fa7da58
pixman	0.15.20	pixman-0.15.20.tar.gz	a5f973b6895e269731964fbc328f61a8cbfde931
qt-x11-opensource-src	4.5.0	qt-x11-opensource-src-4.5.0.tar.gz	503842349b644fb6af6e6c735bec7174ebcd6245
randrproto	1.3.1	randrproto-1.3.1.tar.bz2	36731bae6e815453af4b055c26ad8e9e2653ca05
recordproto	1.14	recordproto-1.14.tar.bz2	212928572898ed150366c6026e2694b193ff9f79
renderproto	0.11	renderproto-0.11.tar.bz2	d30cf508b1a1b5f0deb1c6db41ba2f4e57680637
resourceproto	1.1.0	resourceproto-1.1.0.tar.bz2	36b86840005c15e393c86d7075688d430ab2a11d
scrnsaverproto	1.2.0	scrnsaverproto-1.2.0.tar.bz2	c734cfe9a1ce57fd42957389dcc90518fd7ca6b6
sessreg	1.0.5	sessreg-1.0.5.tar.bz2	d1dac6a398b23ed44bb67286ec083e9071bd00e7
setxkbmap	1.1.0	setxkbmap-1.1.0.tar.bz2	f02f93a08ac060d760566693c748e0fba3db8a06
smproxy	1.0.3	smproxy-1.0.3.tar.bz2	1ba44a4a58b05d6a6f7c4b1f67b793dce2ccf2ba
splashy	0.3.12	splashy-0.3.12.tar.gz	4e721222b20b8fd3fbb8c845ed5c0f05cceed68a
tiff	3.8.2	tiff-3.8.2.tar.gz	549e67b6a15b42bfcd72fe17cda7c9a198a393eb
twm	1.0.4	twm-1.0.4.tar.bz2	7456e90f19e4747e1785f596b93f692d68a9f079
util-macros	1.5.0	util-macros-1.5.0.tar.bz2	ac61387be2a0b97f839041832bd8d06e03cfc942
videoproto	2.3.0	videoproto-2.3.0.tar.bz2	4aef2b438d45b3ab75e640996ce1267d3468f48c
x11perf	1.5.1	x11perf-1.5.1.tar.bz2	d1f85da3df5b216b64c1735d109380214787222d
xauth	1.0.4	xauth-1.0.4.tar.bz2	90d32f28bb61ca6d831dcc35429a5ad53be73283
xbacklight	1.1.1	xbacklight-1.1.1.tar.bz2	3541ab5e0956b4f0c97b1200dc32a35d2ccb0f0f
xbitmaps	1.1.0	xbitmaps-1.1.0.tar.bz2	845b825f7e6d193d47db8b67ae8332d87ef8c2b3
xclock	1.0.4	xclock-1.0.4.tar.bz2	1987caf3b163c6b68bc7ecfbc143c8cd373d64bb
xcmiscproto	1.2.0	xcmiscproto-1.2.0.tar.bz2	1a55e042b33c0e0aaf2299942315a5208d644707
xcmsdb	1.0.2	xcmsdb-1.0.2.tar.bz2	8341f7219a5720da758b0571eb1f4d9072265485
xcursorgen	1.0.3	xcursorgen-1.0.3.tar.bz2	7df26b371476654dc191c45e7d20ae3a5e0cad87
xcursor-themes	1.0.2	xcursor-themes-1.0.2.tar.bz2	12b865c17c65e70a6bc20300dfa660fe8faaa0a4
xdpyinfo	1.1.0	xdpyinfo-1.1.0.tar.bz2	01971f007048a46a4a31a69c661bc3a378de60f0
xdriinfo	1.0.3	xdriinfo-1.0.3.tar.bz2	d211d6f12f4c801d2f4cf184c6daae37aa5858ff
xev	1.0.4	xev-1.0.4.tar.bz2	4f62e131ba96842eef1660e8869533cd3923ac35

**Page No. B- 23 of 23**  
**Certification Test Plan T59087.01**

Software Product	Software Version	Filename	sha1deep Hash Value
<b>DS850</b>			
Xextproto	7.1.1	xextproto-7.1.1.tar.bz2	1bb4bd12d65a17b3168dc9b4e028b33a2f7b2cad
xf86bigfontproto	1.2.0	xf86bigfontproto-1.2.0.tar.bz2	312a2ea708b257520c1af4393b69d73a393a478f
xf86dgaproto	2.1	xf86dgaproto-2.1.tar.bz2	97a06120e7195c968875e8ba42e82c90ab54948b
xf86driproto	2.1.0	xf86driproto-2.1.0.tar.bz2	0dfc6616ffc68ca3c3b5decbe1e365aaa93be8548
xf86-input-keyboard	1.4.0	xf86-input-keyboard-1.4.0.tar.bz2	5061fdaff8b7ddcbcca82f065c4abbfff255a1da
xf86-input-mouse	1.5.0	xf86-input-mouse-1.5.0.tar.bz2	b9213bf745b793a3da2c946ea4d8ee5768e560f4
xf86-video-vesa	2.3.0	xf86-video-vesa-2.3.0.tar.bz2	4689b7c295d7a8d7326302dafecb812739617134
xf86vidmodeproto	2.3	xf86vidmodeproto-2.3.tar.bz2	22d034c2f66985f8541b9ea3421096ceaa006355
xgamma	1.0.3	xgamma-1.0.3.tar.bz2	f9c7d93f4b271bab41ee3c91b371d52572e4e08c
xhost	1.0.3	xhost-1.0.3.tar.bz2	ebcdccdc908e642e527eebbde6ba8084d90c04f6
xineramaproto	1.2	xineramaproto-1.2.tar.bz2	3c397c9ea38aae785dd7901f250891dfa7f3249
xinit	1.2.0	xinit-1.2.0.tar.bz2	85a838c2010f27ef6d09d6ec4b1208a66cc8d697
xinput	1.5.0	xinput-1.5.0.tar.bz2	02d1ccc83007aa7848b1b024ac64c310303f973e
xkbcomp	1.1.1	xkbcomp-1.1.1.tar.bz2	aeb733c495d7afd42136bf8ae5c6e792c63f0b4b
xkbevd	1.1.0	xkbevd-1.1.0.tar.bz2	b510b4a1b7486beac5570c204f7fdd4b61f0ab4
xkbutils	1.0.2	xkbutils-1.0.2.tar.bz2	2c025038ca12ee2494b2401ea2c12c74fe88bf91
xkeyboard-config	1.7	xkeyboard-config-1.7.tar.bz2	d6df43bfc0596be04865f2be7c4e794e198358c8
xkill	1.0.2	xkill-1.0.2.tar.bz2	90f08652859daf71b682c3b9163ebf72ce88c4bc
xlsatoms	1.0.2	xlsatoms-1.0.2.tar.bz2	3855734b5ec0d43b5886ac0ffa58d7cf96f46926
xlsclients	1.0.2	xlsclients-1.0.2.tar.bz2	5cde39a28c5352d1d555714836f57c05197e419d
XML-Parser	2.36	XML-Parser-2.36.tar.gz	74acac4f939ebf788d8ef5163cbc9802b1b04bfa
xmlroff	0.6.2	xmlroff-0.6.2.tar.gz	4a540b067881e069d389cce40bc79578cffe7c9b
xmodmap	1.0.4	xmodmap-1.0.4.tar.bz2	9b49388bb527a8f7b7e86c4aa4c75a83372f6baa
xorg-server	1.7.1	xorg-server-1.7.1.tar.bz2	d31e259b3ab975e2c1baea8f7310b57152ae3c62
xpr	1.0.3	xpr-1.0.3.tar.bz2	9dbd0ff136b612285e00d92d0c7675a4207b1c4a
xprop	1.1.0	xprop-1.1.0.tar.bz2	16b377c76a4a010200063a056e7a5e244ab6ff00
xproto	7.0.16	xproto-7.0.16.tar.bz2	0eda5588d42f2c810d8491da44fe84a4093e12bc
xrandr	1.3.2	xrandr-1.3.2.tar.bz2	0e49b0a0889ae8a590452c6cd0d60a2253a8d940
xrdb	1.0.6	xrdb-1.0.6.tar.bz2	e4faff5e02b3027298dc589e318a6dc7eb30a6d5
xrefresh	1.0.3	xrefresh-1.0.3.tar.bz2	3f34ceca9509f47e60ddf14a98225eaffeba705
xset	1.1.0	xset-1.1.0.tar.bz2	ff4295442821826092b17248c1ad65e16cd860ef
xsetroot	1.0.3	xsetroot-1.0.3.tar.bz2	56ed1df9834627a107550475629df51275cd0c44
xterm	254	xterm-254.tgz	934811737745b76ca75bf940feb975943bf1084d
xtrans	1.2.5	xtrans-1.2.5.tar.bz2	e8c4ce58b42d05e613fe535319a7d7f45f30f3e9
xvinfo	1.1.0	xvinfo-1.1.0.tar.bz2	8695bfb597dbf3ed8e3277fddda4722da21baaa3
xwd	1.0.3	xwd-1.0.3.tar.bz2	f6708d14040630d1d3255987c28efcbf7aee05aa
xwininfo	1.0.5	xwininfo-1.0.5.tar.bz2	9730db0d1bd75b8bc5bc399f56cab9f5aee3bfec
xwud	1.0.2	xwud-1.0.2.tar.bz2	15a6c5e3ffc03b7e8e597947061940fee6c0a9fc
<b>lfs_kernel-2.6.22.19-src.tar</b>			
linux kernel	2.6.22.9	linux-2.6.22.19.tar.bz2	fd0767105a5bac3010562692cd53c8506814e9ff