



DEFENSE LOGISTICS AGENCY
HEADQUARTERS
8725 JOHN J. KINGMAN ROAD
FORT BELVOIR, VIRGINIA 22060-6221

IN REPLY
REFER TO

DLA J-627

October 20, 2010

MEMORANDUM FOR SUPPLY PROCESS REVIEW COMMITTEE (PRC) MEMBERS

SUBJECT: Approved Defense Logistics Management System (DLMS) Change (ADC) 398, Revise DLMS 846A Asset Reclassification, 947I Inventory Adjustment, and Associated Procedures to Support Marine Corps BRAC Storage and Distribution Interface (Supply) (Staffed as PDC 421)

The attached change to DOD 4000.25-M, DLMS, is approved for implementation. The updated DLMS Supplement will be posted to the DLA Logistics Management Standards Office Web site <http://www.dla.mil/j-6/dlmsso/elibrary/TransFormats/formats.asp> within **10** days from the above date for implementation planning. This change is required for an upcoming Defense Logistics Agency (DLA) and Marine Corps release to support Base Realignment and Closure (BRAC) Storage and Distribution Interface.

Addressees may direct questions to Ms. Mary Jane Johnson, Supply PRC Co-Chair, email: Mary.Jane.Johnson@dlam.mil. Others must contact their Component designated Supply PRC representative.

A handwritten signature in black ink, appearing to read "Donald C. Pipp".

DONALD C. PIPP

Chief

DLA Logistics Management
Standards Office

Attachment

cc:

ODASD(SCI)

Joint Physical Inventory Working Group (JPIWG)

ATTACHMENT TO ADC 398

Revise DLMS 846A Asset Reclassification, 947I Inventory Adjustment, and Associated Procedures to Support Marine Corps BRAC Storage and Distribution Interface (Supply)

1. **ORIGINATOR:** Defense Logistics Agency, DLA J-331, 703-325-1924 (DSN 427)

2. **FUNCTIONAL AREA:** Primary: Supply/ Logistics.

3. REFERENCES:

a. Functional Requirements Pre-Design for DLA's implementation of Marine Corps Base Realignment and Closure (BRAC) Storage and Distribution Interface, included in Spiral 2

b. DLMS Supplement (DS) 846A, Asset Reclassification, and DS 947I, Inventory Adjustment, available at: http://www.dla.mil/j-6/dlms/elibrary/TransFormats/140_997.asp.

c. Defense Logistics Management Standards Office memorandum, July 1, 2010, subject: Approved DLMS Change (ADC) 381, Procedures and Additional Data Content Supporting Requisitions, Requisition Alerts, and Unit of Use Requirements under Navy BRAC SS&D/IMSP (Supply/Finance) (Staffed as PDC 366A)

d. DLA Logistics Management Standards Office memorandum, September 9, 2010, subject: ADC 376, Revise DLMS 846A Asset Reclassification and 947I Inventory Adjustment to Support Navy BRAC SS&D/IMSP (Supply) (staffed by PDC 376A)

e. DLA Logistics Management Standards Office memorandum, October 20, 2010, subject: Addendum to ADC 376, Revise DLMS 846A Asset Reclassification and 947I Inventory Adjustment to Support Navy BRAC SS&D/IMSP

f. Defense Logistics Management Standards Office memorandum, April 8, 2010, subject: PDC 360A, Establishment of DLMS Supplement (DS) 832N, Catalog Data Support for Navy BRAC SS&D/IMSP

g. Defense Logistics Management Standards Office memorandum, July 26, 2010, subject: PDC 360B, Procedures and Content Requirements for DLMS Supplement (DS) 832N, Catalog Data Support, for Marine Corps BRAC Storage and Distribution Interface

h. DLA Logistics Management Standards Office memorandum, October 6, 2010, subject: ADC 381A, Procedures and Additional Data Content supporting Unit of Use Requirements under Marine Corps BRAC Storage and Distribution

4. REQUESTED CHANGE:

a. Description of Change: The DLMS Supplement (DS) 846A Asset Reclassification transaction will be used in support of Marine Corps and DLA_re-identification of assets to support less than unit of issue functionality at the Marine Corps Maintenance Centers (MCMC).

b. Marine Corps Maintenance Centers will use the following new data elements (data elements defined for use by Navy BRAC initiative under ADC 381 (reference 3c)) as part of DLMS 846A Asset Reclassification: Local Stock Number (LSN), Unit of Use, Unit of Use Indicator, and unit of use conversion factor.

c. DS 846A is a DLMS enhancement in its entirety, with no MILSTRIP/MILSTRAP equivalent transaction. ADC 376 (reference 3d) and the Addendum to ADC 376 (reference 3e) revises DS 846A in support of Navy BRAC. This change modifies DS 846A in support of MC BRAC. **This change does not impact Navy BRAC Retail Supply, Storage and Distribution (SS&D) Inventory Management and Stock Positioning (IMSP) use of DLMS Asset Reclassification transaction and procedures documented by ADC 376 and Addendum to ADC 376.**

d. Background:

(1) **BRAC Concept.** As a result of the 2005 BRAC decision, storage and distribution functions for Operating Material and Supplies associated infrastructure supporting the Marine Corps Maintenance Center sites will transfer to DLA. The Marine Corps sites are Maintenance Center Albany (MCA) and Maintenance Center Barstow (MCB). The intent of the directive is to significantly improve combat effectiveness while reducing costs by developing a world-class, cost-effective supply chain focused on readiness; taking every opportunity to eliminate waste, reduce touches, reduce cost, and improve readiness. In accordance with the signed CONOPS, DLA has agreed to provide S&D support to the Marine Corps sites.

(2) **Policy:** DLA advises that on March 11, 2010, the Assistant Deputy Under Secretary of Defense, Logistics and Materiel Readiness, Supply Chain Integration, ADUSD (L&MR) SCI, authorized DLA and Marine Corps to proceed with development of procedures, including the cataloging data exchange, supporting materiel storage at less than the unit of issue and for issuance of non-NSN items using a local stock number for identification. Due to the policy implications of this change, the concept was presented to ADUSD (L&MR) SCI for approval subsequent to initial staffing. Although approving the unit of use concept in order to meet the Marine Corps-DLA timeline, SCI also requires exploration of an enterprise solution for future use.

(3) Procedures must be documented for inclusion in the DLMS manual (DOD 4000.25-M). **DLA HQ J-33 to provide procedures upon approval of requested change.**

e. Detailed Procedure: Less than unit of issue request:

(1) Marine Corps uses materials for production in less than FLIS unit of issue quantities. DLA will be required to maintain inventory at the less than unit of issue under a Distribution Standard System (DSS) unique material number for items which the Marine Corps uses at less than FLIS unit of issue. The material number will be treated as a LSN (Unit of Use) within DSS. All subsequent transactions against this material will be recorded under this 'unit of use' LSN within DLA systems. The LSN for Unit of Use will be derived from the NSN by modifying the first position of the NATO code to reflect an 'A' for Albany 'B' for Barstow, e.g., Albany NIIN = 011234567, LSN = A11234567. The Marine Corps will send DLMS 846A Asset Reclassification Request transactions to DSS to:

- (a) Convert NSNs and LSNs to 'unit of use' LSNs, in some cases resulting in the initial establishment of the 'unit of use' LSN; and
- (b) concurrently convert the entire on-hand balance for the NSN or LSN to the 'unit of use' LSN. Accordingly, for the MC generated 846A, a quantity to be converted is not required and is not specified in the transaction.

For initial establishment of the 'unit of use' LSN, DSS will establish the DSS Item Data Record using core FLIS data content and the unit of use contained in the 846A, and existing DSS LSN item record data for established LSNs

STAFFING NOTE on differing Navy and Marine Corps business rules for ‘unit of use’ LSN which DLA established under BRAC:

---Under Navy BRAC, initial establishment of ‘unit of use’ LSNs is only accomplished using DLMS 832N Catalog Data Support transaction¹. Only after the ‘unit of use’ LSN has been established by an 832N transaction, would an 846A Asset Reclassification Request transaction be used to convert from an NSN to a ‘unit of use’ LSN. Unlike Navy, the Marine Corps will establish ‘unit of use’ LSNs by sending DSS an 846A Asset Reclassification Request to convert NSNs to ‘unit of use’ LSNs. Additionally, unlike the Navy BRAC process which only converts NSNs to ‘unit of use’ LSNs, under the Marine Corps BRAC process, the Marine Corps will use the Asset Reclassification Request to convert LSNs to ‘unit of use’ LSNs.

---The Marine Corps ‘unit of use’ LSN construct will be similar to that used by the Navy for LSNs, but the Marine Corps will substitute an "A" (for Albany) or "B" (for Barstow), for example: **5975-A0-000-1234** (rather than the “U” used by the Navy). Unlike the Navy where there may only be one ‘unit of use’ LSN per NSN, the MCMC may assign one each for Barstow and Albany.

(c) All transactions exiting MCMC systems will reflect the Unit of Use Indicator, NSN, and the unit of use as applicable. All subsequent associated transactions exiting DSS to MCMC systems will reflect the ‘unit of use’ LSN and NSN, Unit of Use Indicator, Unit of Use as applicable. **STAFFING NOTE: Under Navy BRAC, a “cross-reference NSN” was added to transactions using a ‘unit of use’ LSN and the associated Unit of Use Indicator. The “cross-reference NSN” was added by ADC 381 (see data element matrix in ADC 381). Since MC also converts LSNs to ‘unit of use’ LSNs, ADC 381A (reference 3h) adds the cross-reference LSN to transactions as applicable to support the MC process of converting LSNs.**

(d) DSS will confirm re-identification has been completed with a 947I Inventory Adjustment with W1901 Quantity or Status Adjustment Reason Code ‘AF-Stock Number Change’ (Use to identify inventory adjustment gain or loss resulting from stock number change) (MILSTRAP DI Code D8K/D9K functionality).

(2) Once a MC ‘unit of use’ LSN is established/exists, DSS will convert and store any future receipt quantities of the parent NSN or LSN at the ‘unit of use’ LSN level, without the MC submitting an 846A. Material will always be receipted in DSS at the unit of issue since the MCMC purchased the material at unit of issue and it must be paid for at unit of issue. Once DSS receipts the material at unit of issue, DSS will determine if this stock is already being stored at unit of use. If it is DSS will perform the stow function to that location at unit of use. The MCMC systems also know if material is being stored at unit of use or unit of issue, and will automatically update their systems accordingly.

f. Asset Reclassification Denial Code. Use LQ01 qualifier ‘ARD-Asset Reclassification Denial’ code (defined under ADC 376).

(1) The Asset Reclassification Denial code is used in conjunction with an Asset Reclassification Denial Transactions. If the Asset Reclassification Request is denied, the only requirement for the MC is to wait and resubmit the 846A request. If the MC knows the specific reason for the asset reclassification denial, depending on the criticality of the item, they can contact the DLA warehouse and request the specific action be completed.

¹ PDC 360A (reference 3f) addresses use of 832N to establish unit of use LSNs under Navy BRAC requirements.
PDC 360B (reference 3g) addresses Marine Corps BRAC requirements for 832N.

(2) Request multiple iterations of LQ01 'ARD' be authorized for use per Asset Reclassification Denial Transaction to identify all reasons for denying a request. New codes approved to support Marine Corps BRAC requirements as shown in *bold italics* below:

Asset Reclassification Denial Code

For use only with 846A Asset Reclassification Denial Transactions (DS 846A with BIA02 Report Type Code TD in conjunction with BIA06 Action Code 'DE-Deny')

CODE	EXPLANATION
A	Asset Reclassification Request denied. No record of same Document number and Job Order (JO) combination found in the DLA Enterprise Business System (EBS) protection table or Distribution Standard System (DSS) records.
B	Asset Reclassification Request denied. Request quantity was greater than the protected quantity associated with the same document number and Job Order (JO) combination.
<i>C</i>	<i>Asset Reclassification Request denied. Storage activity has pending inventory action for requested NSN.</i>
<i>D</i>	<i>Asset Reclassification Request denied. Storage activity has in process COSIS Action for requested NSN.</i>
<i>E</i>	<i>Asset Reclassification Request denied. Storage activity has a pick in process for the requested NSN.</i>
<i>F</i>	<i>Asset Reclassification Request denied. Storage activity has an open due-in for rewarehousing for the requested NSN.</i>
<i>G</i>	<i>Asset Reclassification Request denied. Storage activity has an open due-out for rewarehousing for the requested NSN.</i>
<i>H</i>	<i>Asset Reclassification Request denied. Storage activity has a quantity allocated for the requested NSN (i.e., MRO has been allocated against that NSN but a Pick has not been created yet).</i>
<i>J</i>	<i>Asset Reclassification Request denied. Storage activity has a receipt in process for the requested NSN.</i> ²
<i>K</i>	<i>Asset Reclassification Request denied. Storage activity has discrepant material in location for the requested NSN.</i>
<i>L</i>	<i>Asset Reclassification Request denied. Storage activity location balances are not condition code A for the requested NSN.</i>
<i>M</i>	<i>Asset Reclassification Request denied. No stock on hand.</i>

g. Transaction Process Flow. Refer to Enclosure 1 for a transaction process flow DLA provided.

h. Asset Reclassification Transaction Data Table. Enclosure 2 provides an information table identifying 846A data added by Navy BRAC, and which of this data will be used by MC BRAC.

² **STAFFING NOTE:** If material is receipted and the material already in location is at unit of issue, DSS has planned to stow the material at unit of issue. If a requests is received by DSS to convert that material to unit of use DSS must complete the stow at unit of issue prior to converting the material to unit of use.

i. DS 846A Change Table. Revise DS 846A as revised by ADC 376:

Item #	Location	DS 846A Asset Reclassification Revision	Reason
1.	DLMS Intro Notes	<p><u>Add ADC 398 to DLMS Introductory note 5:</u></p> <p><i>- ADC 398, Revise DLMS 846A Asset Reclassification, 947I Inventory Adjustment and Associated Procedures to Support Marine Corps BRAC Storage and Distribution Interface (Supply)</i></p>	Identifies DLMS Changes included in the DLMS Supplement.
2.	1/BIA02/20	<p><u>Revise DLMS note for TD:</u></p> <p>TD Asset Reclassification Response DLMS Note: 1. Distribution depots/storage activities use for Asset Reclassification Response Transactions. Must use with one of BIA06 Action Codes 13, 24, S, or DE. 2. For Asset Reclassification Response Denial transactions (Action Code DE), must also cite the Asset Reclassification Denial Code <i>at either 2/LQ01/260/ARD or 2/LQ01/376/ARD, as appropriate.</i></p>	<p>Supports Marine Corps BRAC requirements.</p> <p>Asset Reclassification Denial (ARD) code is added at 2/LQ01/260 for MC BRAC since MC does not use the quantity segment (the 2 QTY Loop at position 320 houses the 2/LQ01/376 ARD).</p>
3.	1/BIA06/20	<p><u>Revise DLMS notes for existing Action Code CV:</u></p> <p>CV Convert DLMS NOTE: 1. Owner/manager Asset Reclassification Request to convert assets from an NSN <i>or local stock number (LSN)</i> to a 'unit of use' <i>LSN</i>. Used with BIA02 code TE only. See note 2 below if all or part of the quantity converted also needs protection. <i>See note 3 below when conversion request requires the entire quantity of the NSN or LSN on hand for the requesting owner be converted to 'unit of use' LSN.</i></p> <p>2. When the total or partial quantity being converted to a 'unit of use' LSN is also being protected by this same transaction, then use 2/LIN01/010 codes 1 (total converted quantity protected) or 2 (partial converted quantity to be protected), in conjunction with Action code CV. Partial quantity protection requires two iterations of LOOP ID QTY to convey two distinct quantities in the transaction for total quantity converted and partial quantity protected.</p> <p>3. <i>When the conversion request requires that the entire quantity of NSN or LSN on hand for the requesting owner be converted to 'unit of use' LSN, and the quantity to be converted is not specified in the transaction, then use LIN01 code 3. Authorized for DLA industrial activity support agreement with Marine Corps only. Refer to ADC 398.</i></p> <p>4. Authorized for DLA industrial activity support agreement. Refer to ADC 376 <i>and</i> 398.</p>	<p>Supports Marine Corps BRAC requirements.</p> <p>Requirement for NSN conversion to 'unit of use LSN' will use existing Action Code 'CV-Convert'. New LIN01 code 3 is being added by this change to explain USMC unique requirement. Supports Marine Corps BRAC requirement for conversion from either an NSN or an LSN to a 'unit of use' LSN.</p>

Item #	Location	DS 846A Asset Reclassification Revision	Reason
4.	2/LIN01/010	<p><u>Revise DLMS note at LIN01:</u></p> <p>DLMS Note: Use only with Asset Reclassification Request Transactions requesting that assets be converted from an NSN to a ‘unit of use’ LSN (1/BIA02/020 code TE with BIA06 code CV), and only when the total or partial quantity converted to an LSN by this transaction is also to be protected by JO, or document number. Associated informational KO and COAR may also be provided as applicable. Then use LIN01 codes 1 (total converted qty to be protected) or 2 (partial converted quantity to be protected). Partial quantity protection requires two quantities in the transaction. <i>Also, for Marine Corps only, use when the entire quantity of an NSN or LSN on hand for the requesting owner is to be converted to a unit if use LSN; then use LIN01 code 3.</i> Authorized for DLA industrial activity support agreement only. Refer to ADC 376 <i>and</i> 398.</p> <p>1 – The total quantity converted from an NSN to a ‘unit of use’ LSN is also to be protected.</p> <p>2 – A partial quantity converted from an NSN to a ‘unit of use’ LSN is also to be protected. A second iteration of LOOP ID QTY is required so that the partial quantity to be protected can be identified in addition to the total quantity being converted.</p> <p>3 – Use when conversion request requires the entire quantity of the NSN or LSN on hand for the requesting owner be converted to a ‘unit of use’ LSN. Quantity to be converted is not required and is not specified in the transaction (i.e., LOOP ID QTY is not used).</p>	

Item #	Location	DS 846A Asset Reclassification Revision	Reason
5.	2/LIN02/010	<p>Revise data element level DLMS 2 and add new note 3:</p> <p>1. Use only one of codes A1, A2, A4, FB, FS, FT, MG, SW, YP or ZZ to identify the material. Must use National Stock Number (NSN) (code FS) when known, except when appropriate brand name subsistence items are identified by the Subsistence Identification Number, or when industrial activity materiel is identified by a local stock number (LSN).</p> <p>2. For DLA industrial activity support agreement Asset Reclassification Requests used to reclassify materiel from an NSN to a 'unit of use' LSN, cite the 'FROM' NSN in LIN02-03 and the 'TO' 'unit of use' LSN in 2/LIN06-07. Authorized For DLA industrial activity support agreement only.</p> <p>3. For Asset Reclassification Requests used to reclassify materiel from an LSN to a 'unit of use' LSN, cite the 'FROM' LSN in LIN02-03 and the 'TO' 'unit of use' LSN in 2/LIN06-07. Authorized For DLA industrial activity support agreement with Marine Corps only. Refer to ADC 398.</p> <p><u>Add new DLMS note 3 to existing qualifier SW:</u> SW Stock Number DLMS Notes:</p> <p>1. Use to identify a local stock number (LSN), including the 'unit of use' LSN assigned for NSN materiel issued at less than the unit of issue. For 'unit of use' LSN, cite the cross reference NSN at LIN08-09.</p> <p>2. When reclassifying materiel from an NSN to a 'unit of use' LSN (BIA06 code CV), must use LIN06-07 to cite the 'TO' 'unit of use' LSN, and cite the 'FROM' NSN (code FS) in LIN02. Authorized for DLA industrial activity support agreement only. Refer to ADC 376.</p> <p>3. When reclassifying materiel from an LSN to a 'unit of use' LSN (BIA06 code CV), must use LIN06-07 to cite the 'TO' 'unit of use' LSN, and cite the 'FROM' LSN (code SW) in LIN02. Conversion from an LSN to a 'unit of use' LSN is only authorized under DLA industrial activity support agreement with Marine Corps. Refer to ADC 398.</p>	Supports Marine Corps BRAC requirements for conversion from an LSN to a 'unit of use' LSN.
6.	2/LIN06-07/010	<p><u>Add new DLMS Note 2 to existing qualifier SW:</u> SW Stock Number DLMS Note:</p> <p>1. Use to identify the 'unit of use' LSN assigned for NSN materiel issued at less than the unit of issue when reclassifying materiel from an NSN to a 'unit of use' LSN. The NSN is cited at LIN02-03. Authorized for DLA industrial activity support agreement only. Refer to ADC 376.</p> <p>2. For Marine Corps only, this is also used to identify the 'unit of use' LSN assigned for LSN materiel issued at less than the unit of issue when reclassifying materiel from an LSN to a 'unit of use' LSN. The LSN is cited at LIN02-03. Authorized for DLA industrial activity support agreement only. Refer to ADC 398.</p>	Supports Marine Corps BRAC requirements for conversion from an LSN to a 'unit of use' LSN.

Item #	Location	DS 846A Asset Reclassification Revision	Reason
7.	2/MEA/040	<p><u>Add new segment level DLMS note 2:</u></p> <p>DLMS Note:</p> <p><i>1. Use this segment when requesting that the storage activity reclassify materiel from an NSN to a 'unit of use' LSN. Authorized for DLA industrial activity support agreement only. Refer to ADC 376.</i></p> <p><i>2. Marine Corps may also use this segment when requesting that the storage activity reclassify materiel from an LSN to a 'unit of use' LSN. Conversion from an LSN to a unit-of-use LSN is only authorized under DLA industrial activity support agreement with Marine Corps. Refer to ADC 398.</i></p>	Change supports Marine Corps BRAC requirements associated with converting an LSN to a 'unit of use' LSN.
8.	2/MEA01/040	<p><u>Add new DLMS note 2, and renumber note 2 as 3.</u></p> <p>CF Conversion Factor</p> <p>DLMS Note:</p> <p><i>1. Use to identify the conversion factor to convert FLIS NSN unit of issue quantity to LSN unit of use quantity.</i></p> <p><i>2. For Marine Corps only, also used to identify the conversion factor to convert LSN unit of issue quantity to LSN unit of use quantity.</i></p> <p><i>3. Value is expressed as R5.4. The decimal point is passed within the transaction; leading and trailing zeros are not transmitted.</i></p>	Change supports Marine Corps BRAC requirements associated with converting an LSN to a 'unit of use' LSN. IAW USMC and DLA comment to PDC, moved DLMS note 3 to MEA03 since MEA01 is the "qualifier" and MEA03 is the actual conversion factor value.
9.	2/MEA03/040	<p><u>Add new DLMS note 2:</u></p> <p>Measurement Value</p> <p>Description: The value of the measurement</p> <p>DLMS Note:</p> <p><i>1. Use to identify the factor by which the FLIS NSN unit of issue quantity must be multiplied to convert to the LSN unit of use quantity.</i></p> <p><i>2. For Marine Corps only, also used to identify the factor by which the LSN unit of issue quantity must be multiplied to convert to the LSN unit of use quantity.</i></p> <p><i>3. Value is expressed as R5.4. The decimal point is passed within the transaction; leading and trailing zeros are not transmitted.</i></p>	Change supports Marine Corps BRAC requirements associated with converting an LSN to a 'unit of use' LSN. IAW USMC and DLA comment to PDC, moved DLMS note 3 from MEA01 to MEA03 since MEA01 is the "qualifier" and MEA03 is the actual conversion factor value.
10.	2/MEA04/040	<p><u>Revise DLMS note 1 at MEA04-01:</u></p> <p>MEA04-01 Unit or Basis for Measurement Code:</p> <p>DLMS Notes:</p> <p><i>1. Use to identify the FLIS NSN unit of issue or the LSN unit of issue.</i></p> <p><i>2. DLMS users see the Unit of Issue and Purchase Unit Conversion Table for available codes.</i></p> <p>MEA04-04 Unit or Basis for Measurement Code:</p> <p>DLMS Notes:</p> <p><i>1. Use to identify the LSN unit of use.</i></p> <p><i>2. DLMS users see the Unit of Issue and Purchase Unit Conversion Table for available codes.</i></p>	Supports Marine Corps BRAC requirements associated with converting an LSN to a 'unit of use' LSN.

Item #	Location	DS 846A Asset Reclassification Revision	Reason
11.	2/LM/260	<p><u>OPEN the LM segment in the optional Loop ID LM at position 260:</u></p> <p>Federal Note: <i>Use the 2/LM/260 loop to identify coded information maintained in department or agency documentation.</i></p>	Supports Marine Corps BRAC requirements.
12.	2/LM01/260	<p><u>Add qualifier DF:</u></p> <p>DF Department of Defense (DoD)</p>	Standard DLMS coding for LM01.
13.	2/LQ/270	<p><u>Open the LQ segment with DLMS notes:</u></p> <p>DLMS Note:</p> <p><i>1. Use to identify codes, as appropriate, consistent with management information requirements.</i></p> <p><i>2. Must use to cite the Asset Reclassification Denial (ARD) code for Asset Reclassification Response Denial Transactions (BIA02 code TD in conjunction with BIA06 Action Code DE) when no quantity is cited (QTY Loop is not used).</i></p> <p><i>3. For DLA industrial support agreement with Marine Corps, multiple iterations of the LQ segment may be used to provide multiple Asset Reclassification Denial Codes, to identify multiple reasons for denying a request.</i></p> <p><i>4. For Asset Reclassification Response Denial Transactions where a quantity is cited, may use 2/LQ01/376 embedded in the QTY Loop to cite the Asset Reclassification Denial code.</i></p>	Supports Marine Corps BRAC requirements.
14.	2/LQ01/270	<p><u>Add qualifier ARD with DLMS Note:</u></p> <p>ARD Asset Reclassification Denial Code</p> <p>DLMS Notes:</p> <p><i>1. Storage activities must use an ARD code with Asset Reclassification Response Denial Transactions to identify the reason for the denial. Cite the ARD code at either 2/LQ01/270 or 2/LQ01/376, as appropriate.</i></p> <p><i>2. At this time a local code 'ARD' is established for use in 846A, version 4010. A data maintenance action has been submitted for establishment of 'ARD-Asset Reclassification Denial Code' in a future version.</i></p>	Supports Marine Corps BRAC requirements.

Item #	Location	DS 846A Asset Reclassification Revision	Reason
15	2/QTY/320	<p><u>Revise segment level DLMS Notes <i>as revised by the Addendum to ADC 376</i>. Revise note 2; add new note 4; and renumber existing note 4 as 5:</u></p> <p>1. Use multiple iterations of the 2/QTY/320 loop as needed to stratify quantity on hand by material classification.</p> <p>2. Use in Asset Reclassification Request transactions (1/BIA02/20 code TE), <i>except as noted below for DLA industrial activity support agreement with Marine Corps</i>.</p> <p>3. When an asset reclassification request transaction is requesting conversion of an NSN to a ‘unit of use’ LSN, and concurrently requesting assignment of protection to a partial quantity of the quantity converted (BIA02 code TE with BIA06 Action Code CV in conjunction with LIN01 code 2), then two iterations of 2/QTY/320 loop must be used to convey two distinct quantities in the transaction for total quantity to be converted and partial quantity to be protected. Supports DLA industrial activity support agreement. Refer to ADC 376.</p> <p>4. <i>When an asset reclassification request transaction is requesting conversion of an NSN or LSN to a ‘unit of use’ LSN, and the entire quantity on hand for the requesting owner is to be converted (BIA02 code TE with BIA06 Action Code CV in conjunction with LIN01 code 3), then a quantity is not cited in the request. The QTY segment is not used in these asset reclassification requests or any associated denial transactions. Authorized for DLA industrial activity support agreement with Marine Corps only. Refer to ADC 398.</i></p> <p>5. Use in Asset Reclassification Response Denial transactions (1/BIA02/20 code TD with BIA06 Code DE) for DLA industrial activity support agreement with Navy only. The denial transaction will be for the full quantity requested (i.e. perpetuate the quantity from the Asset Reclassification Request transaction). Partial quantities will not be denied. Refer to the Addendum to ADC 376.</p>	Supports Marine Corps BRAC requirements.
16	2/LQ01/376	<p><u>Add new DLMS note 2 and revise notes for existing qualifier ARD:</u></p> <p>ARD Asset Reclassification Denial Code DLMS Notes:</p> <p>1. Storage activities must use <i>an Asset Reclassification Denial (ARD) code</i> with Asset Reclassification Response Denial Transactions (BIA02 code TD in conjunction with BIA06 Action Code DE) to identify the reason for the denial. <i>Cite the ARD code at either 2/LQ01/270 or 2/LQ01/376, as appropriate.</i></p> <p>2. <i>For DLA industrial support agreement with Marine Corps, cite the ARD code at 2/LQ01/270 since the QTY Loop is not used.</i></p> <p>3. At this time a local code ‘ARD’ is established for use in 846A, version 4010. A data maintenance action will be has been submitted for establishment of ‘ARD-Asset Reclassification Denial Code’ in a future version.</p>	Supports Marine Corps BRAC requirement.

i. DS 947I Change Table. Revise DS 947I as revised by ADC 376:

Item #	Location Version 4030	DS 947I Inventory Adjustment (Table Locations address 947I version 4030, corresponding changes made to version 4010)	Reason
1.	DLMS Intro Notes	<u>Add ADC 398 to DLMS Introductory note 6:</u> - ADC 398, <i>Revise DLMS 846A Asset Reclassification, 947I Inventory Adjustment and Associated Procedures to Support Marine Corps BRAC Storage and Distribution Interface (Supply)</i>	Identifies DLMS Changes included in the DLMS Supplement
2.	2/W1902/0200	<u>Add new DLMS Note 4 to credit/debit quantity:</u> DLMS Note 3. For inventory adjustments resulting from converting an NSN to a unit-of-use local stock number (LSN), under DLA industrial activity support agreement, the loss transaction will cite the NSN loss quantity in W1902 and FLIS unit of issue in W1903. The gain transaction will cite LSN gain quantity in W1902 and the LSN unit of use in W1903. Refer to ADC 376. DLMS Note: 4. For inventory adjustments resulting from converting an LSN to a unit-of-use LSN, the loss transaction will cite the LSN loss quantity in W1902 and LSN unit of issue in W1903. The gain transaction will cite unit-of-use LSN gain quantity in W1902 and the unit of use in W1903. Conversion from an LSN to a unit-of-use LSN is only authorized under DLA industrial activity support agreement with Marine Corps. Refer to ADC 398.	Change supports Marine Corps BRAC requirements associated with converting an LSN to a unit of use LSN.
3.	2/W1903/0200	<u>Add new DLMS Note 3 to unit or basis for measurement code:</u> DLMS Note 2. For inventory adjustments resulting from converting an NSN to a unit-of-use local stock number (LSN) under DLA industrial activity support agreement, the loss transaction will cite the FLIS unit of issue in W1903. The gain transaction will cite the LSN unit of use in W1903. Refer to ADC 376. DLMS Note: 3. For inventory adjustments resulting from converting an LSN to a unit-of-use LSN, the loss transaction will cite the LSN unit of issue in W1903. The gain transaction will cite the LSN unit of use in W1903. Conversion from an LSN to a unit-of-use LSN is only authorized under DLA industrial activity support agreement with Marine Corps. Refer to ADC 398.	Change supports Marine Corps BRAC requirements associated with converting an LSN to a unit of use LSN

Item #	Location Version 4030	DS 947I Inventory Adjustment (Table Locations address 947I version 4030, corresponding changes made to version 4010)	Reason
4.	2/W1905/0200	<p><u>Add new DLMS note 3 to existing qualifier SW:</u></p> <p>SW Stock Number</p> <p>DLMS Notes:</p> <p>1. Use to identify a local stock number (LSN), including the unit of use LSN assigned for NSN materiel issued at less than the unit of issue.</p> <p>2. For inventory adjustments resulting from converting an NSN to a unit of use LSN the unit of use LSN is cited at W1905-06 for the inventory adjustment gain transaction. Authorized for DLA industrial activity support agreement only. Refer to ADC 376.</p> <p><i>3. For inventory adjustments resulting from converting an LSN to a unit of use LSN, the unit of use LSN is cited at W1905-06 for the inventory adjustment gain transaction. Conversion from an LSN to a unit-of-use LSN is only authorized under DLA industrial activity support agreement with Marine Corps. Refer to ADC 398.</i></p>	Change supports Marine Corps BRAC requirements associated with converting an LSN to a unit of use LSN.

5. DAAS Mapping: Update DAAS maps to allow new data to pass any applicable edits. There is no mapping requirement between MILS and DS 846A since there are no corresponding MILSTRAP or MILSTRIP transactions.

6. ALTERNATIVES: None identified.

7. REASON FOR CHANGE: As a result of BRAC 2005 Storage and Distribution Interface, DLA DSS is required to track and maintain Marine Corps materials at less than unit of issue quantities. The updates to the 846A transaction are required to ensure the same or better functionality exists after the implementation of BRAC 2005 as before.

8. ADVANTAGES AND DISADVANTAGES:

a. Advantages: Material Resource Planning (MRP) II, Industrial Logistics Support Management Information System (ILSMIS), and DLA DSS will be able to comply with DLMS standards for the BRAC Storage and Distribution Interface process

b. Disadvantages: None identified.

9. ESTIMATED TIME LINE/IMPLEMENTATION TARGET: DLA and Marine Corps testing will begin November 15, 2010. Target implementation is February 22, 2011.

10. IMPACT:

a. Publications:

1) Requires update to DLMS 846A and 947I as noted.

2) Requires update to DOD 4000.25-M, DLMS, to add procedures for the MC BRAC IMSP process described by this PDC. **DLA J-33 to provide procedures for the DLMS manual, Volume 2.**

b. Automated Information Systems (AIS): Applicable DLA and MC systems.

11. DLMS Data:

a. No new 846A beginning segment Action Codes (1/BIA06/20) are required for MC BRAC. Table

below identifies the 846A Action Codes developed for Navy BRAC which will be used by Marine Corps:

Action Code	Short Explanation
CV Convert USED by MC	Owner/manager Asset Reclassification Request to change assets from an NSN or LSN to a 'unit of use' local stock number (LSN). STAFFING NOTE: For MC, the conversion request requires that the entire quantity of NSN (or LSN) on hand converted to unit of use LSN. Quantity not required (not specified) in transaction. DLMS Note for existing Action Code CV is revised as noted in DS 846A change table above, and USMC requirement is identified at LIN01 with new code value '3'.
DE Deny USED by MC	Storage activity uses to provide an asset reclassification denial response. STAFFING NOTE: 846A BIA06 Action Code 'DE Deny' is used to deny an Asset Reclassification Request. This action code is used in conjunction with the Asset Reclassification Denial Codes at 2/LQ01/376/ARD

b. Data Element ID 1270 qualifier 'ARD' for Asset Reclassification Denial Code at 2/LQ01/376. Code requirement was established by ADCs 376 and 387. This change proposes the addition of new code values for the Asset Reclassification Denial Code as shown at paragraph 4f.

- c. Adds new 846A LIN01 value '3' as shown in DS 846A Change Table at row 3:
"3 – Use when conversion request requires the entire quantity of the NSN or LSN on hand for the requesting owner be converted to a unit of use LSN. Quantity to be converted is not required and is not specified in the transaction (i.e., LOOP ID QTY is not used)."

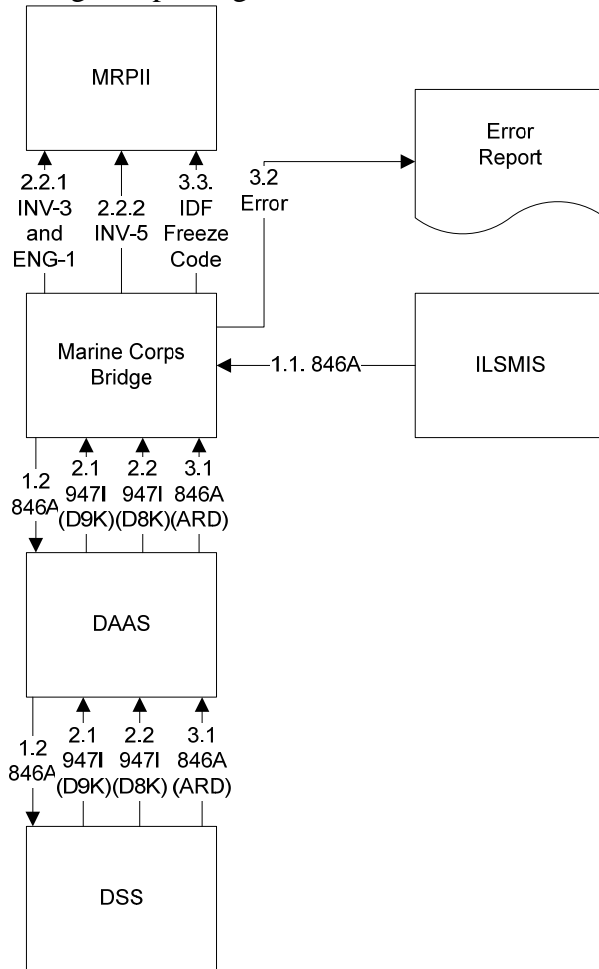
12. COMMENTS/RESPONSES TO PDC 421:

COMPONENT	COMMENT/RESPONSE	RESOLUTION
DLA	Concur.	Noted.
USMC	Concur with comment:	Noted. Comments resolution below.
USMC and DLA J6UT Comments	<p>1) Page 8, 846A Change Table: recommended that text indicated as DLMS Note 3 in row 8 (MEA01) be moved to row 9 (MEA03) since MEA01 is the "qualifier" and MEA03 is the actual conversion factor.</p> <p>2) Pages 11-12, 947I Change Table - Rows 3 (W1903) and 4 (W1905): Change "conversion form" to "conversion from" within DLMS Note 3, 3rd sentence.</p> <p>3) Enclosure 2 – Table, row 13: This should be MEA03. MEA01 is the "qualifier" (CF for conversion factor) and MEA03 will contain the actual conversion factor.</p>	<p>1) Agree. DLMS note 3 moved from MEA01 to MEA03. See yellow highlight at 846A Change Table, rows 8 and 9.</p> <p>2) Agree. This was a typo in PDC. Recommended change made in ADC.</p> <p>3) Agree. Change made.</p>
USA	Concur.	Noted.
USAF	Concurs without comment.	Noted.
USTRANSCOM	Abstains.	Noted.
DFAS	No comment.	Noted.

Enclosures

ENCLOSURE 1 TO ADC 398 Transaction Flow Diagram

Creating or Updating a Unit of Use LSN within DSS:



1. ILSMIS creates a unit of use record where unit of use is different than FLIS unit of issue (or existing LSN unit of issue)
 - 1.1. ILSMIS sends 846A transaction to Marine Corps bridge to identify new unit of use
 - 1.2. Marine Corps bridge sends 846A transaction through DAAS to DSS to create or update unit of use
2. If no pending inventory affecting transactions, DSS creates or updates unit of use LSN
 - 2.1. DSS sends 947I (D9K) for inventory loss through DAAS to Marine Corps bridge (DSS will return original document number from 846A on transaction)
 - 2.2. DSS sends 947I (D8K) for inventory gain through DAAS to Marine Corps bridge (DSS will return original document number from 846A on transaction)
 - 2.2.1. Marine Corps bridge sends INV-3 and ENG1 to MRPII to update item master record in MRPII
 - 2.2.2. Marine Corps bridge sends INV-5 to MRPII to update on hand quantity
 - 2.2.3. Marine Corps bridge will remove the IDF freeze code if necessary
3. If pending inventory transactions against NSN, DSS will reject the request

- 3.1. DSS sends asset reclassification denial 846A (ARD) through DAAS to Marine Corps bridge to identify reason for denial
- 3.2. Marine Corps bridge will generate error report and email
- 3.3. Marine Corps bridge will set freeze indicator in MRPII until error is cleared from log/report
 - 3.3.1. Marine Corps will contact warehouse to validate error is cleared
 - 3.3.2. Start over at 1.1 (Marine Corps needs to develop a form to indicate resubmission of 846A required)
4. C4 create Unit of Use (846A Resend) screen to allow MC Analyst to resubmit 846As after DSS transactions have cleared.

ENCLOSURE 2 to ADC 398
PROVIDED FOR BACKGROUND INFORMATION ONLY

Table from DLA identifying 846A data added for Navy BRAC, and which of the data MC BRAC uses.
(DLA Logistics Management Standards Office changes/notes are highlighted)
(Additional USMC data requirements are as noted in the DS 846A Change Table in this PDC.)

846A Data added for Navy BRAC

#	DS Location	DS 846A Data Content	Description	Length
1.	2/REF01/ 140/JB N/A for MC	Original Job Order Number <i>FROM Job Order Number</i>	Code used at Naval Ship yards identifying a particular package of work. <i>From Job Order number when changing.</i>	10
2.	N/A for MC	Original Key Operation Number	Key Operation number reflected on the original Requisition Alert transaction. <i>KO provided at 2/REF01/140/86.</i>	3
3.	2/REF01/140/ T9 N/A for MC	Original Requisition Alert Document Number <i>FROM protection Document Number (doc# under which materiel is protected)</i>	Document number reflected on the original pre-requisitioning requirements signal. Original Demand Signal Document number, suffix code and JO/KO will be key data elements to releasing issues at Naval Shipyards	14
4.	2/REF04/ 140/W8 N/A for MC	Original Requisition Alert Suffix Code <i>(see notes above)</i>	Suffix code reflected on the original pre-requisitioning requirements signal. Original Demand Signal Document number, suffix code and JO/KO will be key data elements to releasing issues at Naval Shipyards. Suffix code is available for use in 846A with applicable document numbers as appropriate.	1
5.	2/REF01/ 140/9R N/A for MC	Modified Job Operation Number <i>Job Order Number. 'TO' JO number when revising.</i>	New value for Job Order when Navy closes one availability and roles material to another.	10
6.	REF01 N/A for MC	Modified Key Operation Number	New value for the key operation number which will overlay the original key operation number. <i>KO is an overlay and 'from' to' values were not needed. KO provided at 2/REF01/140/86.</i>	3
7.	2/REF01/ 140/18 N/A for MC	Modified Requisition Alert Document Number <i>Protection Document Number. When modifying, this is the TO number.</i>	New value for the Requisition Alert Document Number when Navy closes one availability and roles material to another. Document number reflected on the original requisition alert transaction.	14
8.	LIN02/FS	National Stock Number	NSN from which the quantity is to be re-identified or which is related to the JO, document number combination for a modification	13
9.	LIN06/SW	Unit of Use LSN	Unit of Use LSN to which quantity is to be re-identified to	13
10.	2/MEA04- 01/040	FLIS unit of issue	Current unit of issue recorded against the original stock number prior to re-identification	<u>2</u>
11.	2/MEA04-04	LSN unit of use	Unit of use to which the quantity is to be re-identified	2
12.	2/QTY/320/V3 NA for MC	QTY re-identified from	Specific quantity which is to be re-identified from the NSN to the unit of use LSN – Optional field not used by MC for Asset Reclassification Request transactions (MC using action code to convert all quantity on hand)	7
13.	2/MEA03/040	Unit of Use conversion factor	Conversion factor to be used to convert unit of issue quantity to LSN unit of use quantity	
14.	1/BIA01/ZZ	Unit of Use Indicator	Flag indicating transaction is to reidentify assets to less than UI.	1
15.	LQ01/ARD	Asset Reclassification Denial Code For MC BRAC, DSS cites ARD at 2/LQ01/270 For Navy BRAC, DSS cites ARD at 2/LQ01/376	Identifies reasons for denying an asset reclassification request.	1