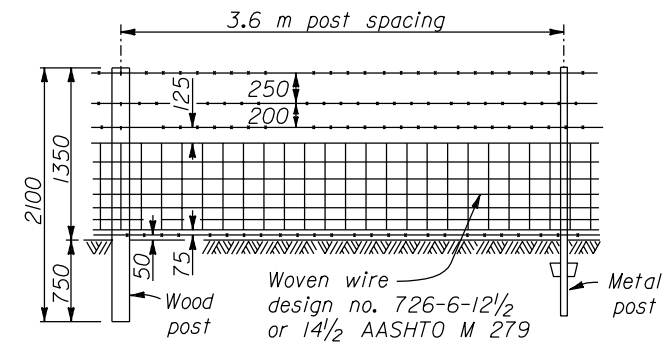
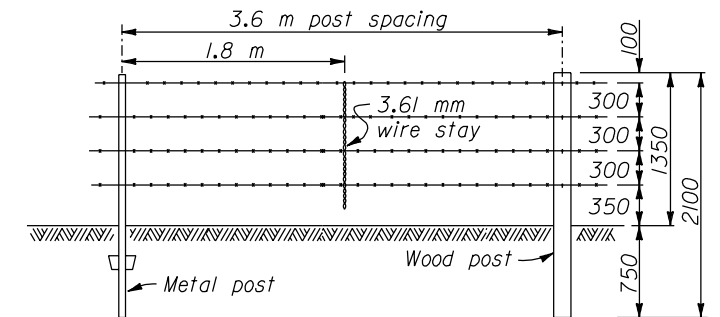


TYPICAL SAG SECTION - TYPE 1 & 2 FENCES



TYPE 1



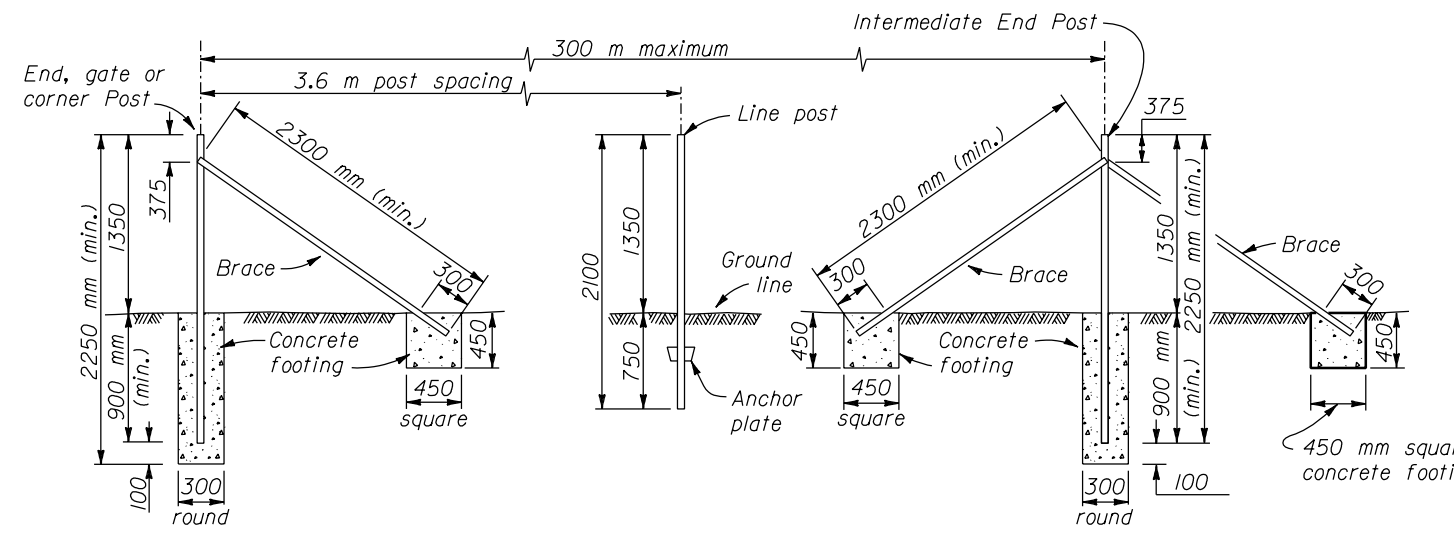
TYPE 2

FENCES

NOTE:

- Dimensions not labeled are in millimeters.
- Furnish either zinc coated (galvanized) or aluminum coated steel barbed wire. Fabricate zinc coated barbed wire from two strands of 2.51 mm steel wire with a Class 3 zinc coating and 2 point or 4 point barbs of 2.03 mm zinc coated wire. Fabricate aluminum coated barbed wire from two strands of 2.51 mm aluminum coated steel wire with 4 point barbs of 2.03 mm aluminum coated or aluminum alloy wire.
- Furnish either zinc coated (galvanized) or aluminum coated steel wire fence fabric. If zinc coated fabric is furnished, use Grade 60 fabric with a Class 3 coating.
- Furnish 3.05 mm tie wire or wire clamps for fasteners on metal posts and 3.76 mm by 40 mm long wire staples for wood posts. Galvanize wire stays, tie wire, wire loops, and wire clamps with a Class 1 zinc coating according to ASTM A 641.
- Furnish either painted or galvanized steel fence posts for tee, channel or U bar shapes. Furnish galvanized steel round pipe or steel angle for posts and braces. Fit round pipe posts with snug-fitting galvanized metal caps. Fabricate steel line posts and angles from Type A steel according to AASHTO M 281. Fabricate steel pipe posts and braces according to AASHTO M 160.
- Furnish Douglas fir, Western red cedar, Hemlock or Larch for fence posts, brace rails, and wood stays. Treat the posts and brace rails with creosote, pentachlorophenol, ACZA, or CCA, Type I, A, B, or C.

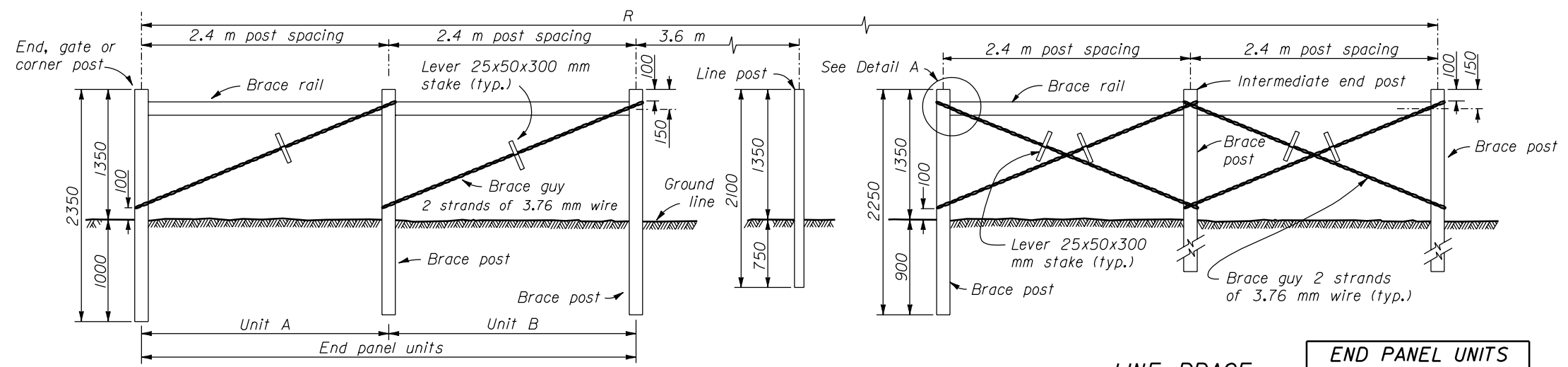
MEMBER	WOOD		STEEL		
	ROUND	SQUARE	SHAPE	kg/m (min.) nominal	SIZE nominal
	Di. of small end (min.)	SIZE nominal			
Line post	75	75x75	Tee, channel or U-bar	1.98	U.S. Comm. Standard
Brace	150	150x150	Round pipe	3.38	approx. 40 mm OD
			Angle	3.63	51x51x6.4 mm
Other posts	150	150x150	Round pipe	5.43	60.3 mm OD
			Angle	6.10	64x64x6.4 mm



END, GATE OR CORNER BRACE

LINE BRACE

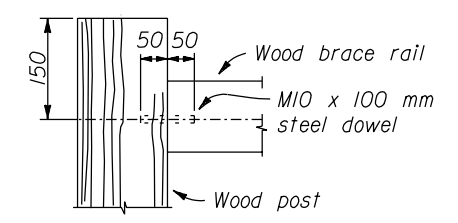
STEEL POSTS



END, GATE OR CORNER BRACE

LINE BRACE

WOOD POSTS



DETAIL A

ALL FENCE TYPES	END PANEL UNITS	
	R	PANELS
	6 or less	None
	6 - 100	A
	Over 100	A & B

U.S. DEPARTMENT OF TRANSPORTATION
FEDERAL HIGHWAY ADMINISTRATION
WESTERN FEDERAL LANDS HIGHWAY DIVISION

METRIC DETAIL

WASHINGTON FENCE

DETAIL APPROVED FOR USE 3/1996

REVISID: _____

DETAIL WM619-80

NO SCALE