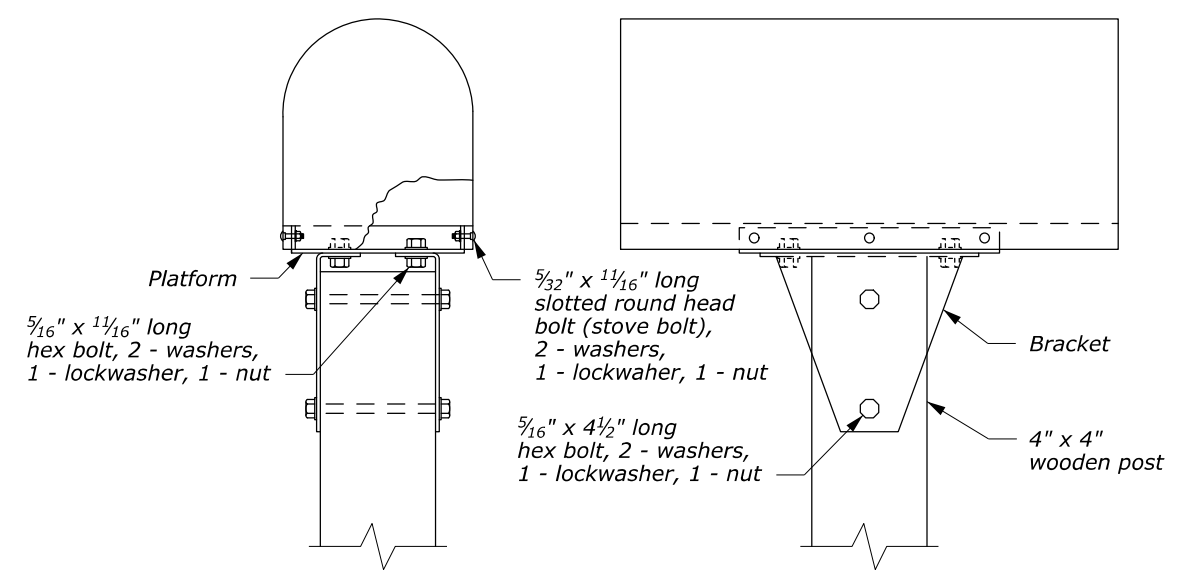
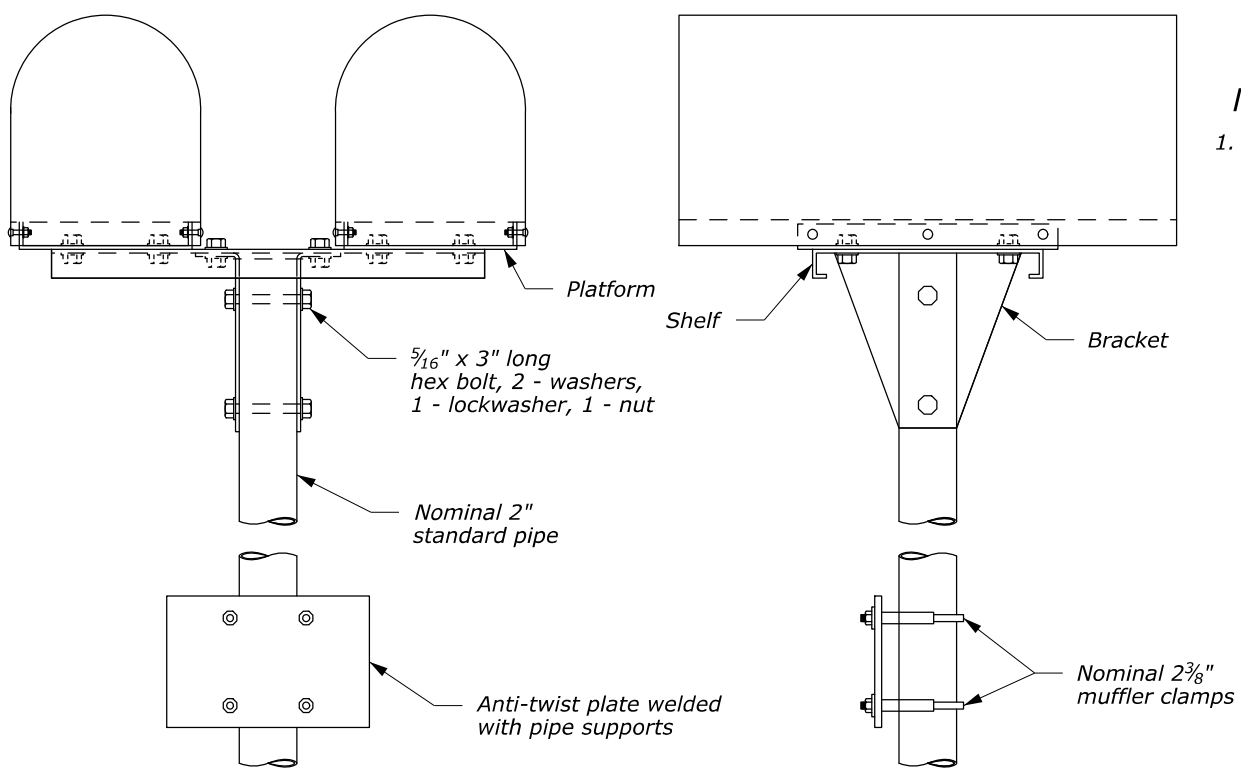


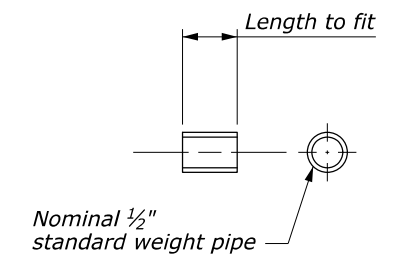
NOTE:
 1. Spacing between multiple mailboxes and height of mailbox above ground level are as established by the U.S. Postal Service. H is usually 3'-4" to 4'-0".



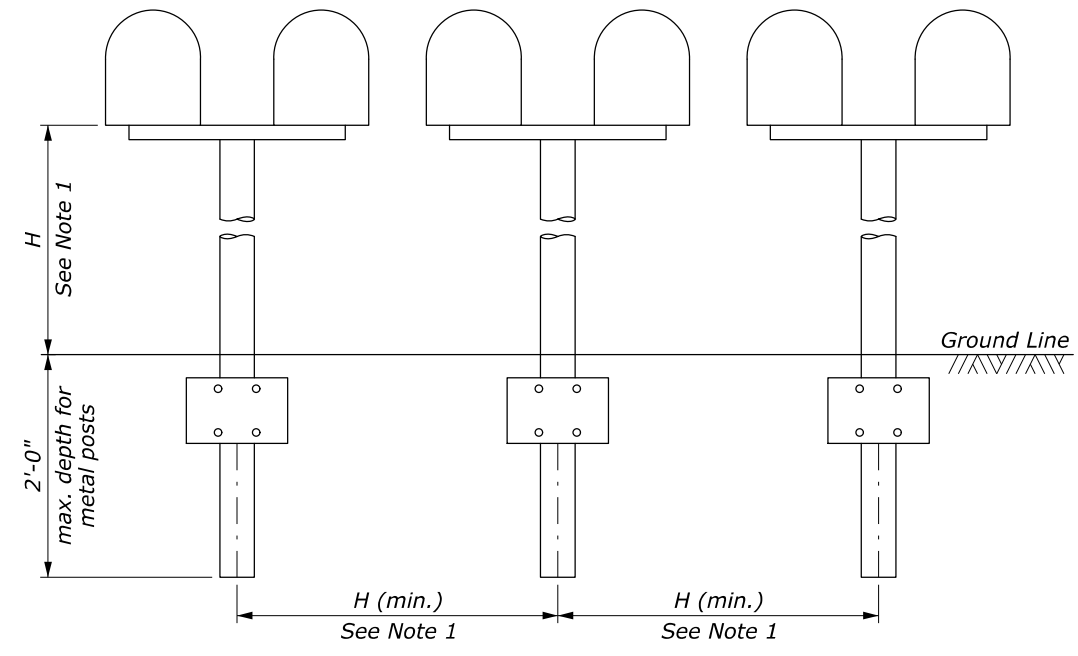
SINGLE MAILBOX INSTALLATION



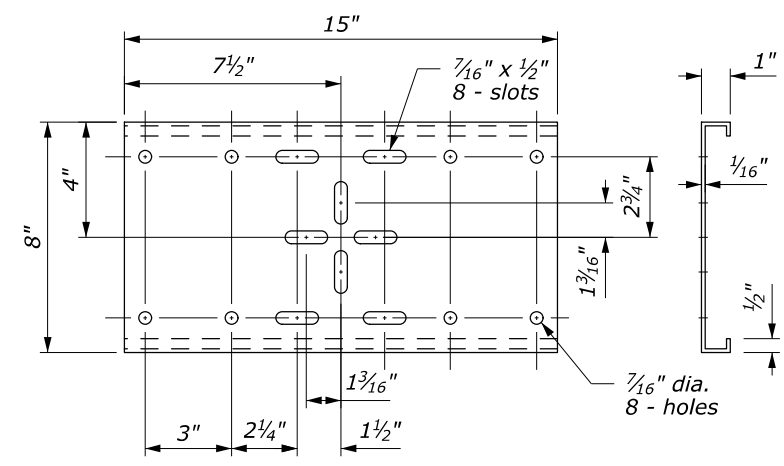
DOUBLE MAILBOX INSTALLATION



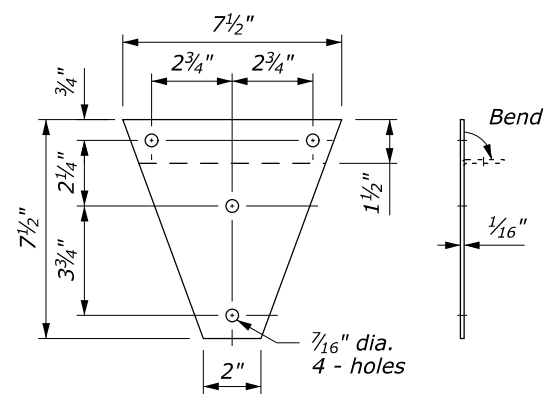
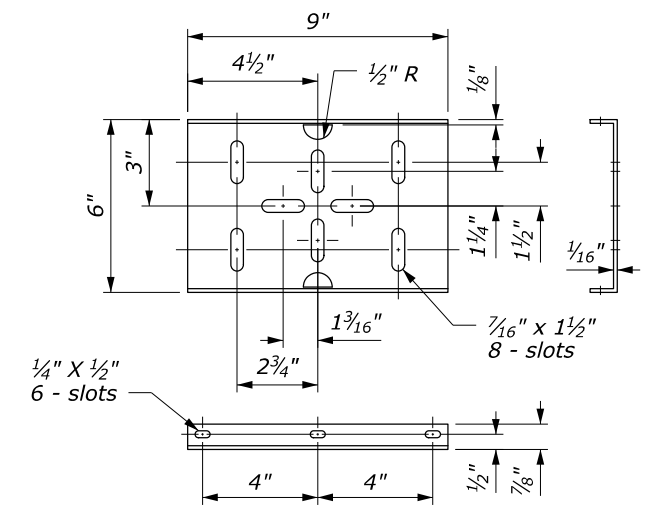
SPACER



SPACING FOR MULTIPLE INSTALLATION

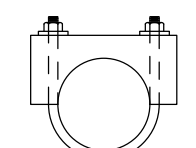


PLATFORM

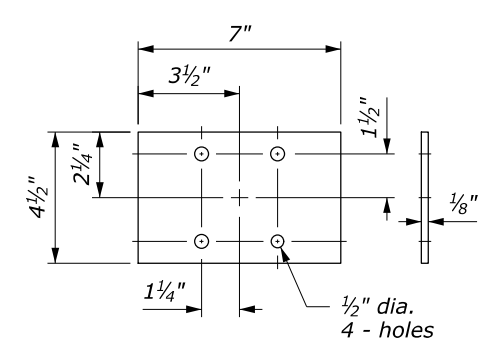


ANTI-TWIST PLATE

SHELF



CLAMP



BRACKET

U.S. DEPARTMENT OF TRANSPORTATION
 FEDERAL HIGHWAY ADMINISTRATION
 WESTERN FEDERAL LANDS HIGHWAY DIVISION

U.S. CUSTOMARY DETAIL

**MAILBOX ASSEMBLY
 SERIES A**

DETAIL APPROVED FOR USE --/----

REVISD: 1/2010

DETAIL W646-2

NO SCALE

13 January 2010 2:26 PM H:\StanDraw\w64602.dgn [USC]