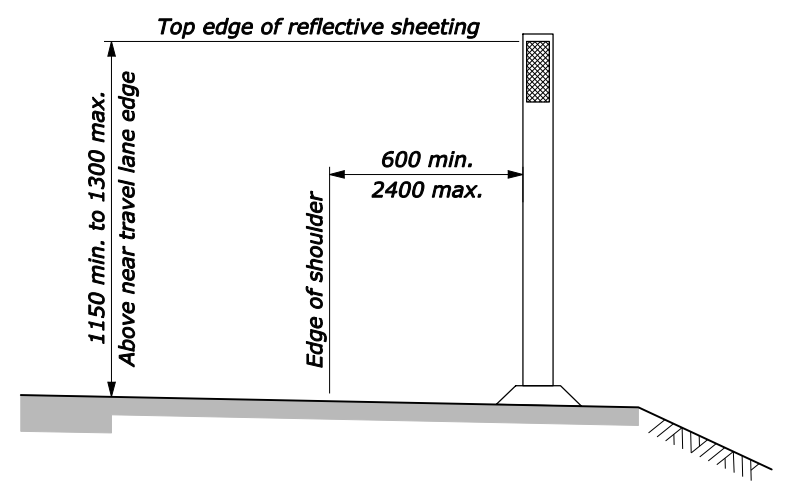


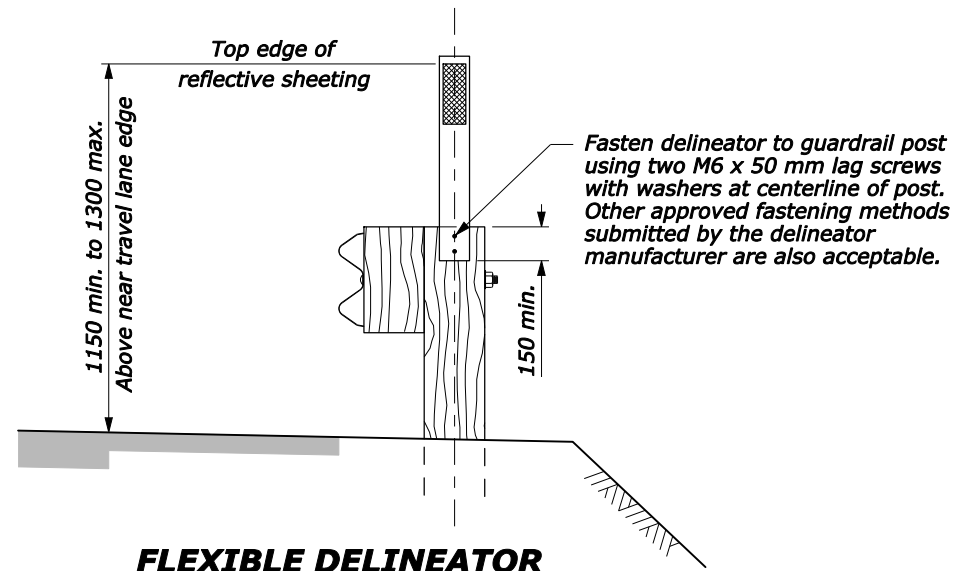
**FLEXIBLE DELINEATOR
GROUND MOUNTED**



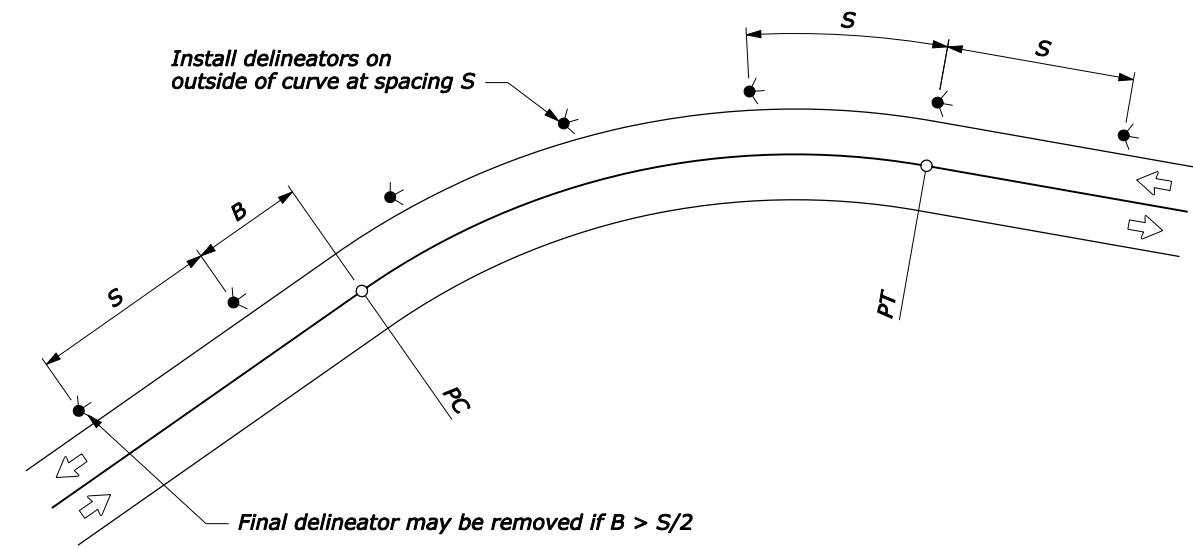
**FLEXIBLE DELINEATOR
SURFACE MOUNTED**

NOTE:

1. When a delineator falls within a cross road or approach, the delineator may be moved in either direction a distance not to exceed one quarter of the normal spacing. Eliminate the delineator if this allowance is exceeded.
2. Place delineators 600 mm from the edge of design shoulder unless otherwise specified.
3. Install delineators behind the rail at guardrail locations. Either drive the delineator in line with the guardrail posts or mount a shorter delineator onto the guardrail post as shown on this sheet.
4. When the contract does not provide for the construction of the ultimate pavement, allow for the thickness of base and pavement to be placed later when establishing the elevation of the traffic delineators.
5. Use the current edition of the Manual on Uniform Traffic Control Devices for Streets and Highways (MUTCD) as a guide for delineation layout.
6. Furnish hardware in the metric sizes shown. Equivalent US Customary sizes may be used when metric sizes are not available.
7. Dimensions without units are millimeters.



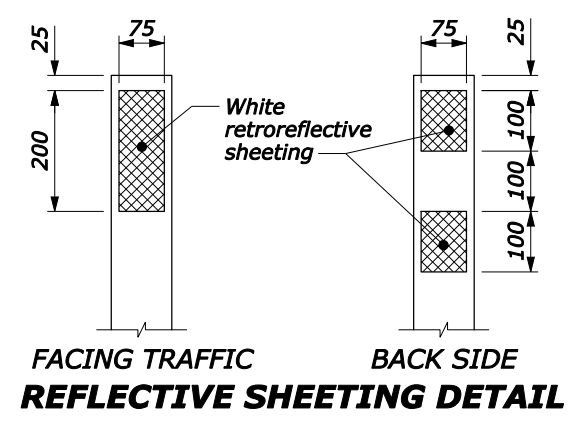
**FLEXIBLE DELINEATOR
GUARDRAIL MOUNTED OPTION**
(Use only with wood guardrail posts)



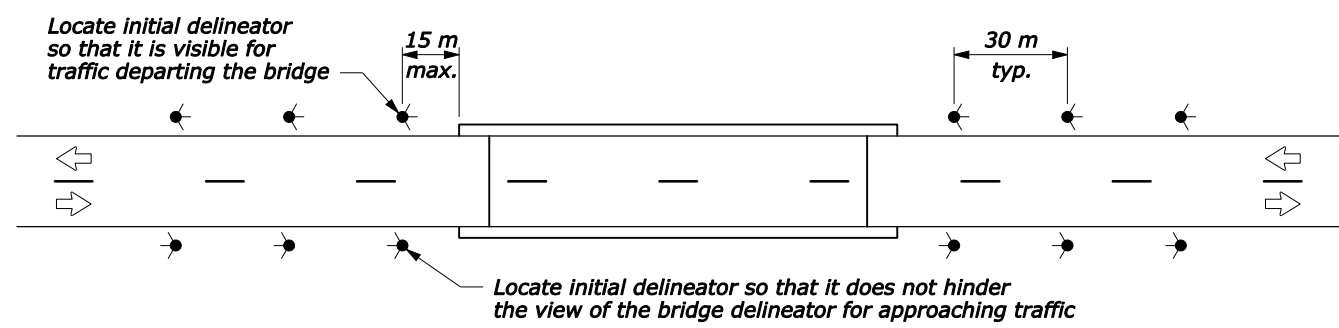
PLACEMENT ON HORIZONTAL CURVES

| DELINEATOR SPACING ON HORIZONTAL CURVES | |
|---|-----------------|
| CURVE RADIUS (m) | SPACING (S) (m) |
| 15 | 6 |
| 35 | 8 |
| 55 | 11 |
| 75 | 13 |
| 95 | 15 |
| 125 | 18 |
| 155 | 20 |
| 185 | 22 |
| 215 | 24 |
| 245 | 26 |
| 275 | 27 |
| 305 | 29 |

Spacing for a specific curve may be interpolated from the table, or calculated using the formula:
 $Spacing = 1.7 \sqrt{R-15}$
 The minimum spacing should be 6 meters. Curve spacing should not exceed 90 meters.



**FACING TRAFFIC
REFLECTIVE SHEETING DETAIL**



PLACEMENT AT BRIDGE APPROACHES

NO SCALE

U.S. DEPARTMENT OF TRANSPORTATION
 FEDERAL HIGHWAY ADMINISTRATION
 WESTERN FEDERAL LANDS HIGHWAY DIVISION

METRIC DETAIL

**WASHINGTON
DELINEATORS**

DETAIL APPROVED FOR USE 1/2008
 REVISIONS:

DETAIL
 WM633-80