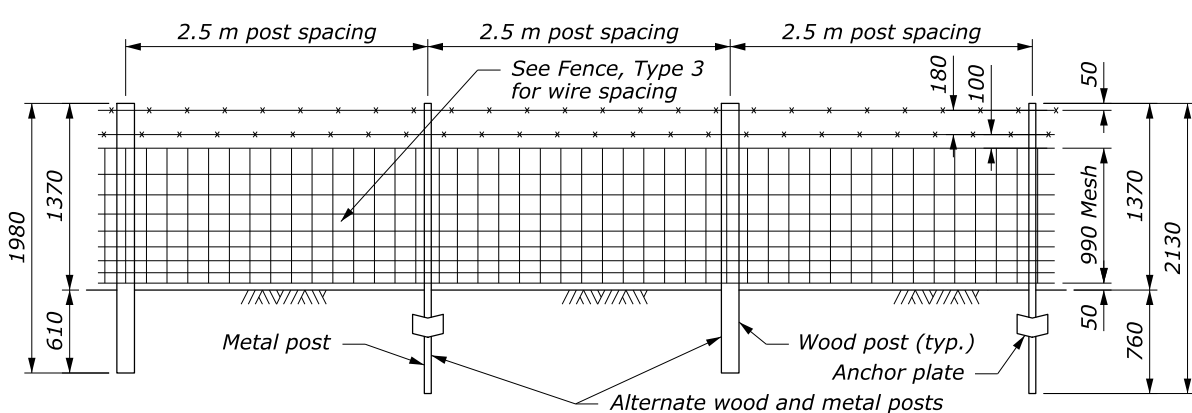
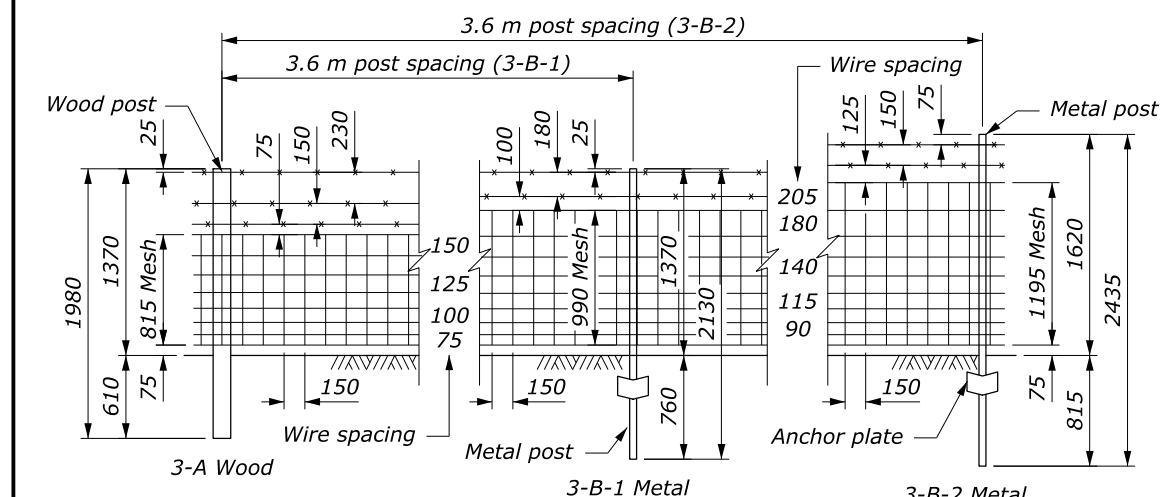


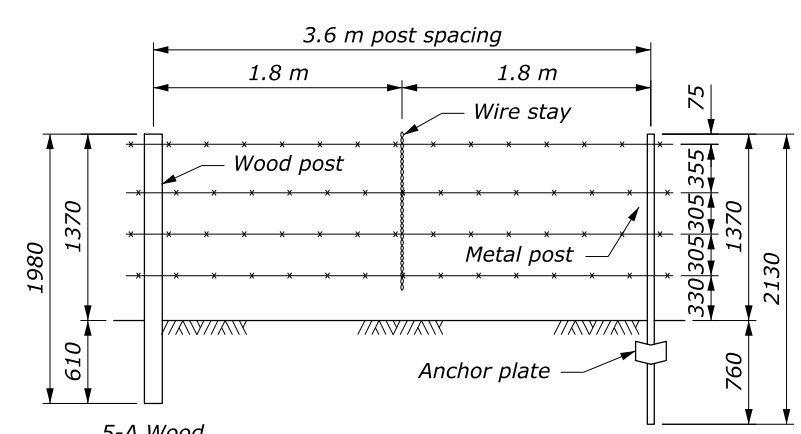
FENCE TYPE 1
1-A Wood 1-B Metal



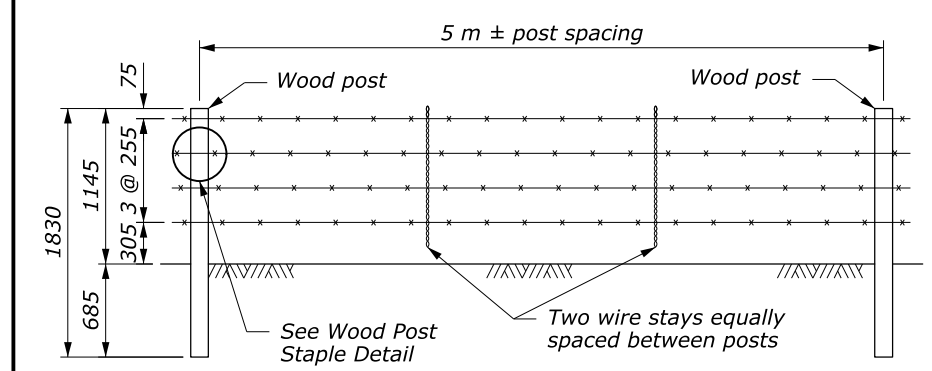
FENCE TYPE 2



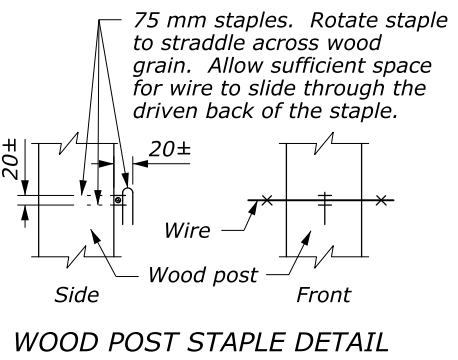
FENCE TYPE 3
3-A Wood 3-B-1 Metal 3-B-2 Metal



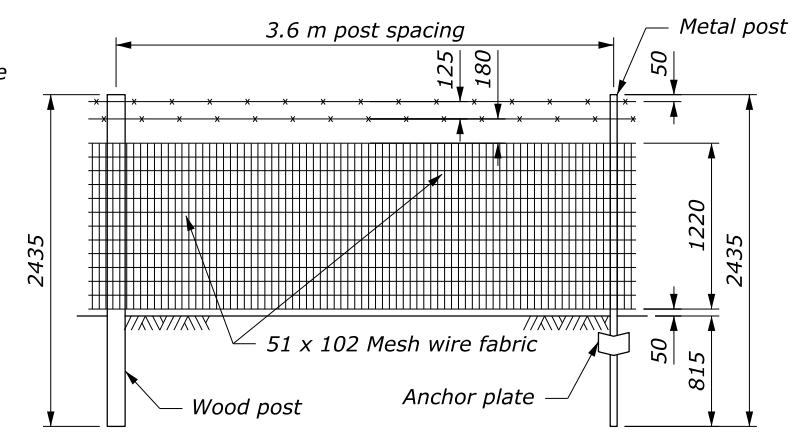
FENCE TYPE 5
5-A Wood 5-B Metal



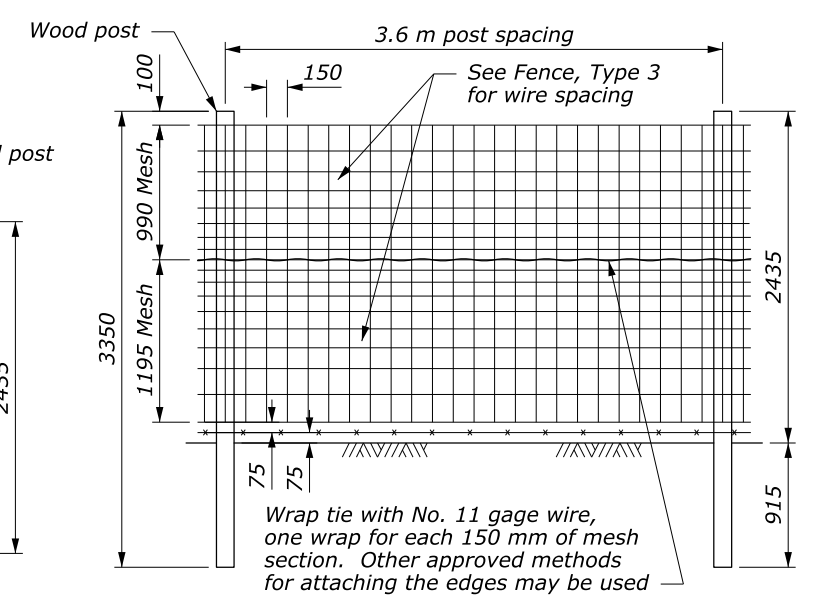
DROP FENCE TYPE 6



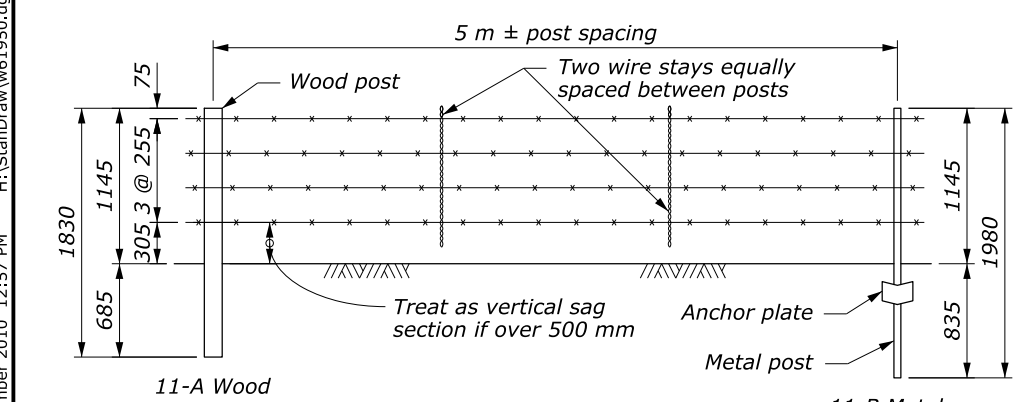
WOOD POST STAPLE DETAIL



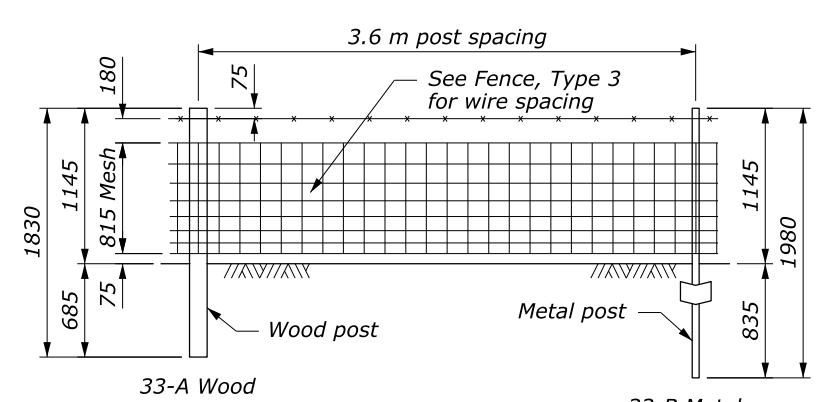
FENCE TYPE 7
7-A Wood 7-B Metal



DEER-PROOF FENCE TYPE 8



FENCE TYPE 11
11-A Wood 11-B Metal



FENCE TYPE 33
33-A Wood 33-B Metal

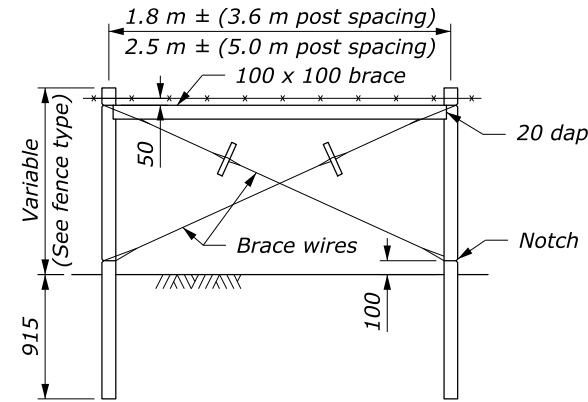
NOTE:

1. Furnish pressure treated wood posts consisting of either Douglas Fir, Western Larch, Cedar, or Pine of any species. Provide line posts having a minimum 255 mm post circumference and a 75 mm minimum distance between opposite faces or between any face and an opposite corner. Provide minimum 445 mm circumference posts for corner, terminal, or braces; and a 100 mm minimum distance between opposite faces or between any face and an opposite corner.
2. Provide woven wire conforming to ASTM A116, except wire size and strength options are limited to the following subsections of Table 1: No. 12½ Grade 60, No. 12½ Grade 125, or 14½ Grade 125.
3. Furnish 9 gage staples with a minimum length of 38 mm, except that 25 mm staples may be used in locust posts. Provide 9 gage stay wires and brace wires, and 12.5 gage tie wire and wire clamps. Provide galvanized stay wire, brace wire, tie wire and wire clamps conforming to ASTM A 116.
4. Dimensions without units are millimeters.

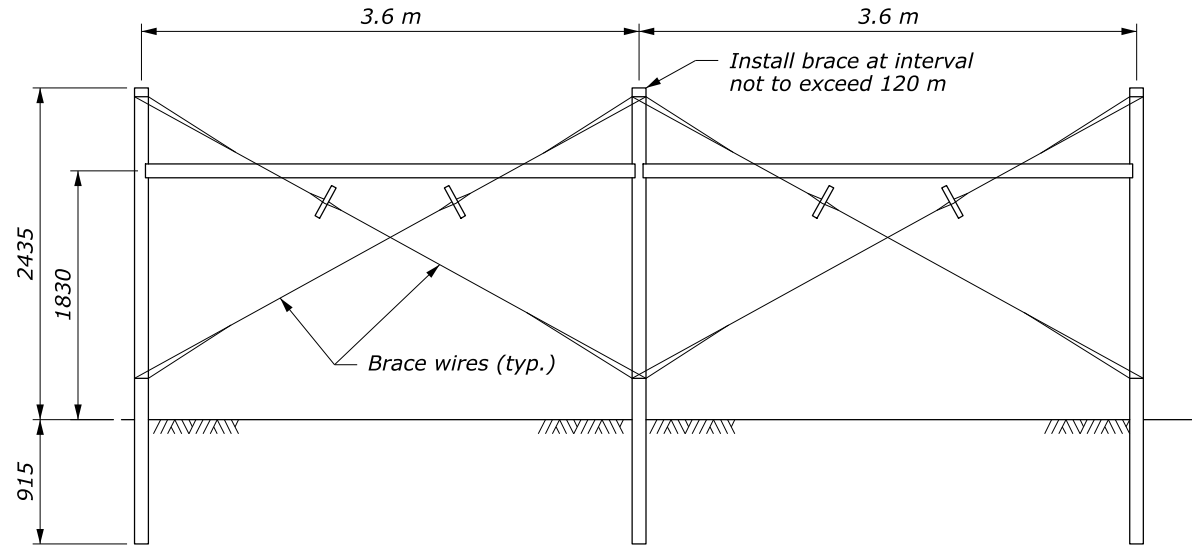
NO SCALE

U.S. DEPARTMENT OF TRANSPORTATION FEDERAL HIGHWAY ADMINISTRATION WESTERN FEDERAL LANDS HIGHWAY DIVISION	
METRIC DETAIL	
IDAHO FENCE	
Sheet 1 of 3	
DETAIL APPROVED FOR USE 9/2010	DETAIL
REVISED:	WM619-50

13 September 2010 12:57 PM H:\StanDraw\w61950.dgn [Metric]



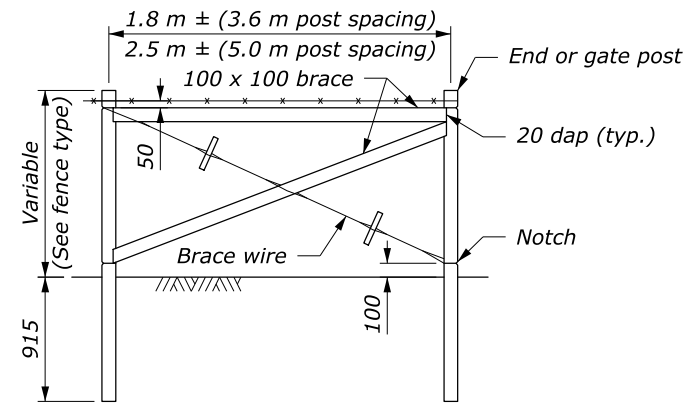
WOOD LINE BRACE



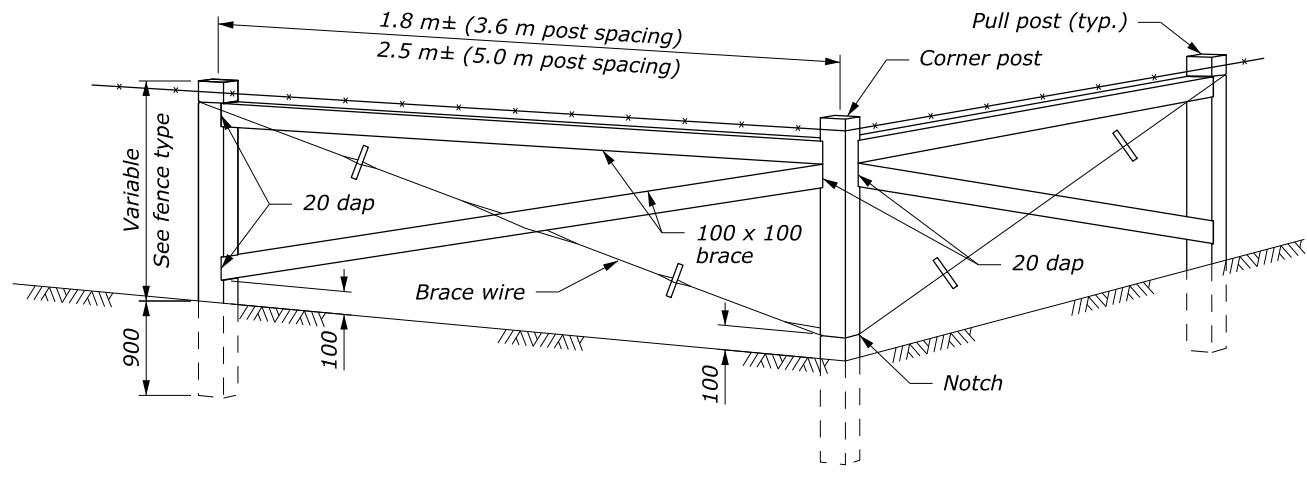
WOOD LINE BRACE FOR TYPE 8 FENCE

NOTE:

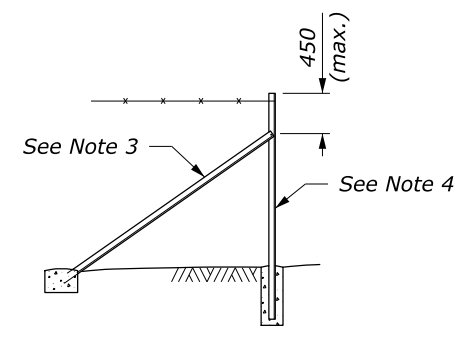
1. Furnish either painted or galvanized angles or galvanized steel round pipe posts for corner or line braces. Furnish round pipe posts with snug-fitting galvanized metal caps. Fabricate steel pipe fence posts and braces according to ASTM F 1083.
2. Connect braces to post with three 16d nails or a 9.53 x 100 mm steel dowel.
3. Provide 51 x 51 x 6.4 mm angle or 31.75 mm standard steel pipe brace.
4. Provide 64 x 64 x 6.4 mm angle or 64 mm standard steel pipe post.
5. Dimensions without units are millimeters.



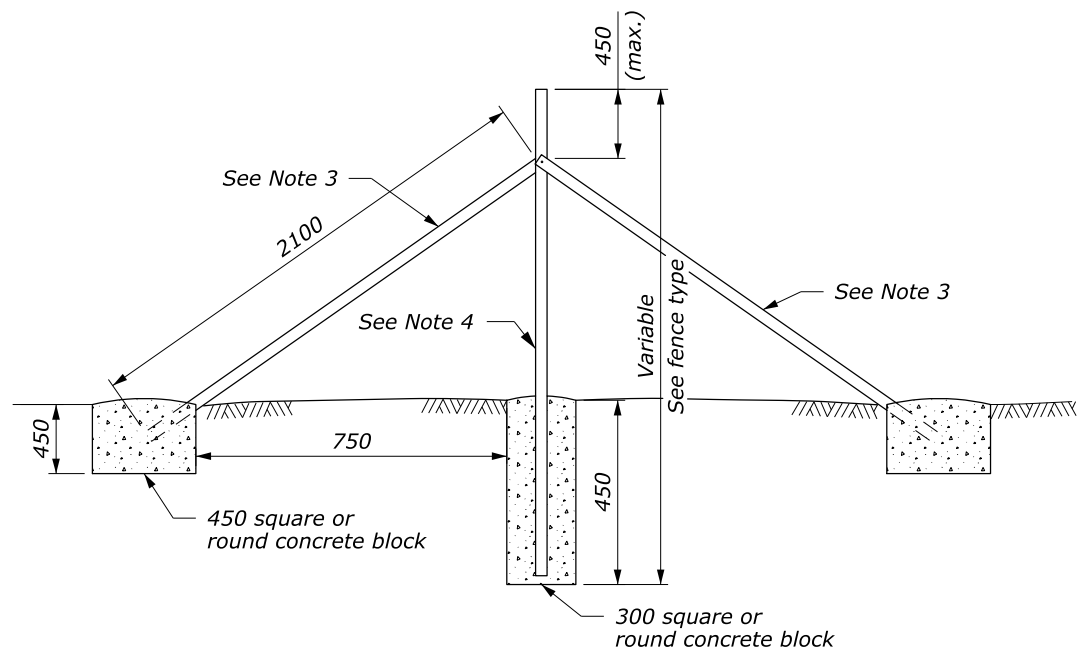
WOOD TERMINAL BRACE



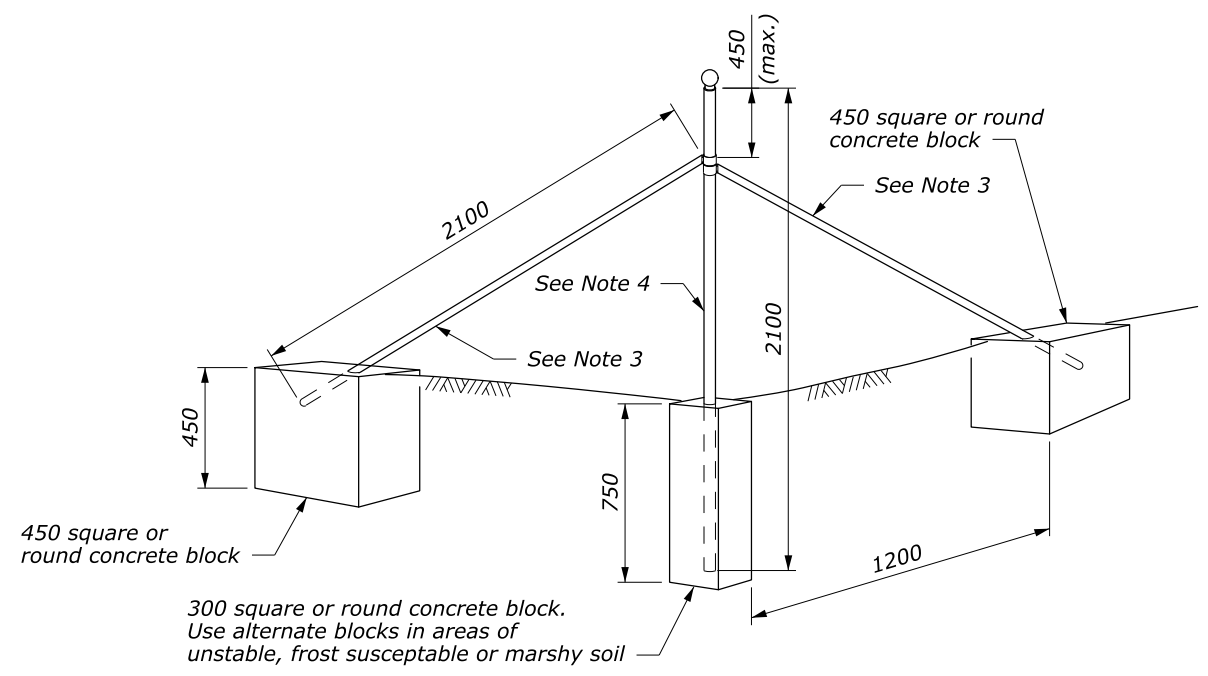
WOOD CORNER BRACE



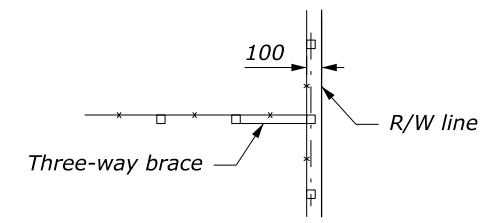
METAL END AND GATE BRACE



METAL LINE BRACE



METAL CORNER BRACE

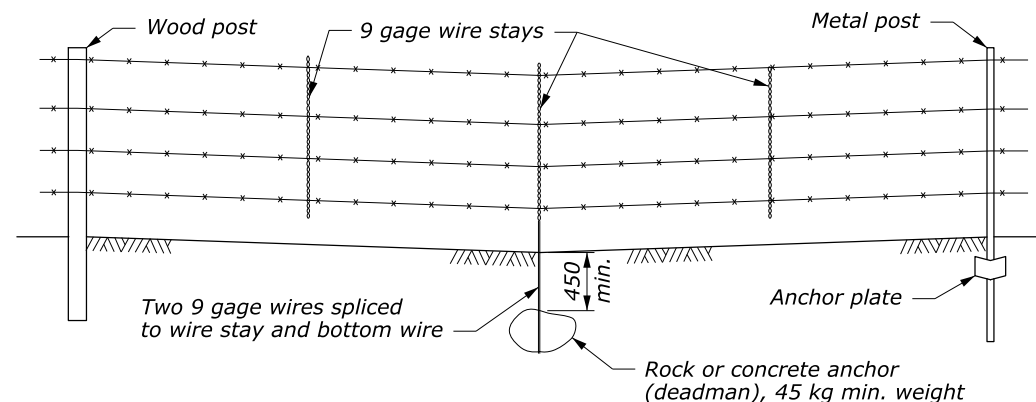


FENCE TERMINAL

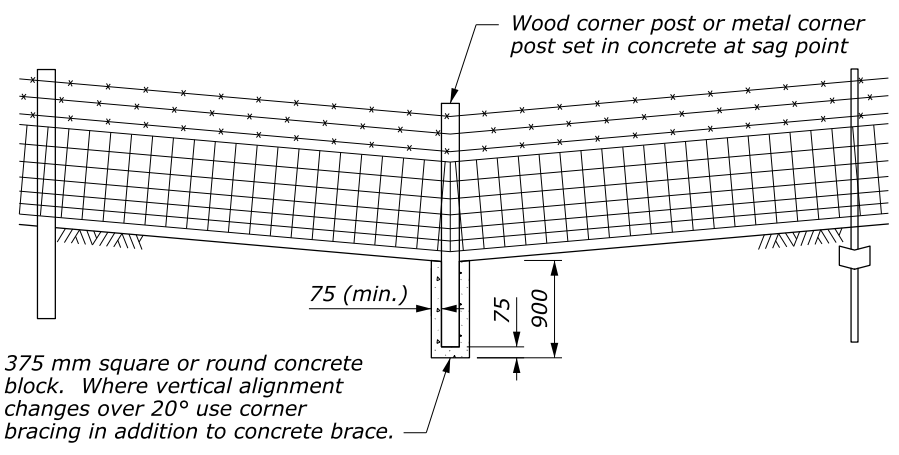
U.S. DEPARTMENT OF TRANSPORTATION FEDERAL HIGHWAY ADMINISTRATION WESTERN FEDERAL LANDS HIGHWAY DIVISION	
METRIC DETAIL	
IDAHO FENCE	
Sheet 2 of 3	
DETAIL APPROVED FOR USE 9/2010	DETAIL
REVISED:	WM619-50

NO SCALE

13 September 2010 12:57 PM H:\StanDraw\w61950.dgn [Metric]



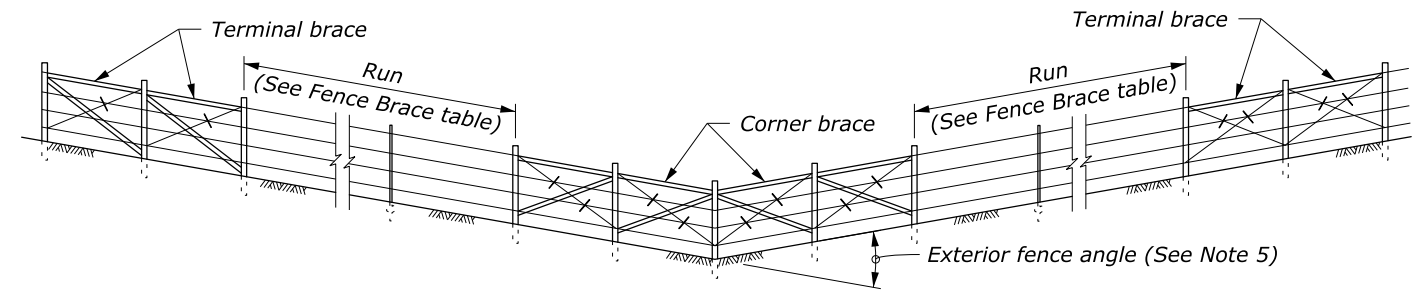
TYPICAL SAG SECTION - BARBED WIRE FENCES



TYPICAL SAG SECTION FOR WOVEN WIRE, MESH OR COMBINATION FENCES

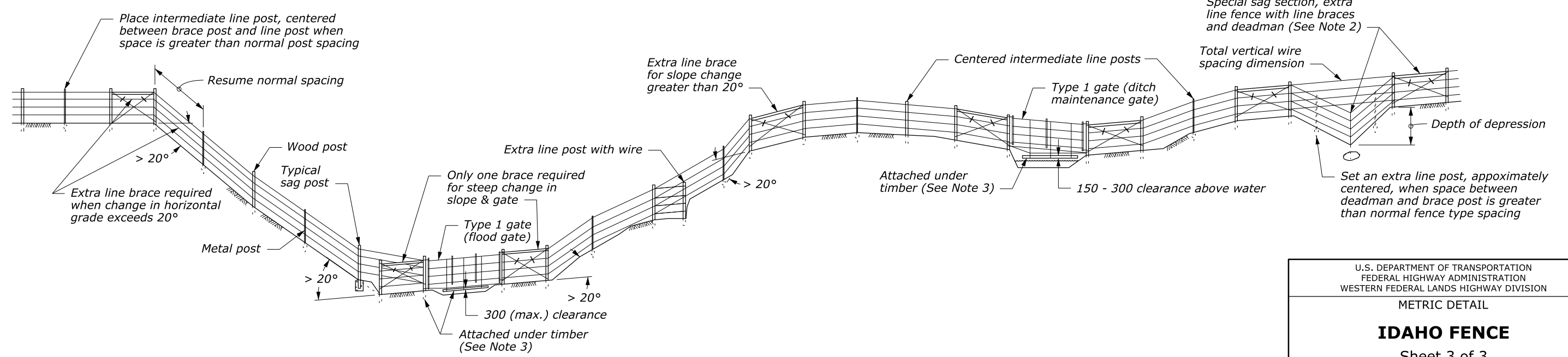
NOTE:

1. When a fence line approaches a ditch, gully, or depression, place the last post on level ground close enough to the edge of the drop-off that the wire may be strung to a post in the depression without touching the ground.
2. When the depth of a depression on a Type 1, 5, or 11 fence exceeds the total vertical wire spacing over a maximum horizontal run of 2 spaces, construct an extra fence through the depression. Include extra line braces and a deadman in this application as shown.
3. When a Type 1 gate is used in a special application as shown, include extra line braces and the attached under timber, wire, and wire stays. Wrap the horizontal wires on the under timber around the brace post (not stapled), then twice around the wire itself.
4. When approved by the CO, the special applications for barbed wire fences may also be used for Types 2, 3, 7, and 33 woven wire fence. Use a Type 2 gate with these fences. Barbed wire may be used through the special areas, however the wires must match the woven wire spacing as nearly as possible. Do not attach the under timber directly to a Type 2 gate.
5. When wood braces are used and the fence corner angle exceeds 30° in the exterior angle of the fence, use double panels on the corner brace. Install double panels for line and terminal braces according to the fence brace table.
6. Where a fence ties into a bridge parapet or railing, do not allow the top of fence to project above the top of the parapet or railing.
7. Dimensions without units are millimeters.



DOUBLE BRACE PANELS

FENCE BRACE TABLE			
FENCE TYPE	RUN	WOOD PANELS REQUIRED	METAL BRACES
1, 5, 6 & 11	< 20 m	NONE	NONE
	20 - 200 m	SINGLE	SINGLE
	200 - 300 m	DOUBLE	NOT ALLOWED
8	≤ 120 m	DOUBLE	NOT ALLOWED
2, 3, 7 & 33	< 10 m	NONE	NONE
	10 - 100 m	SINGLE	SINGLE
	100 - 200 m	DOUBLE	NOT ALLOWED



SPECIAL APPLICATIONS FOR BARBED WIRE FENCES
FOR TYPE 1, 5, & 11 (See Note 4)

U.S. DEPARTMENT OF TRANSPORTATION
FEDERAL HIGHWAY ADMINISTRATION
WESTERN FEDERAL LANDS HIGHWAY DIVISION

METRIC DETAIL

IDAHO FENCE
Sheet 3 of 3

NO SCALE

DETAIL APPROVED FOR USE 9/2010
REVISID:

DETAIL
WM619-50

13 September 2010 12:58 PM H:\StanDraw\w61950.dgn [Metric]