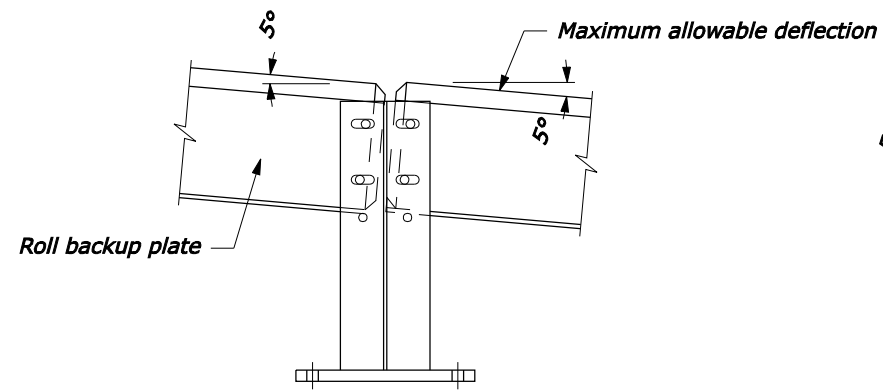
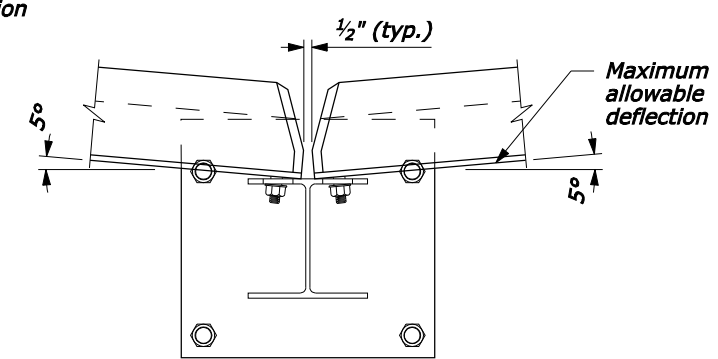


PLAN VIEW

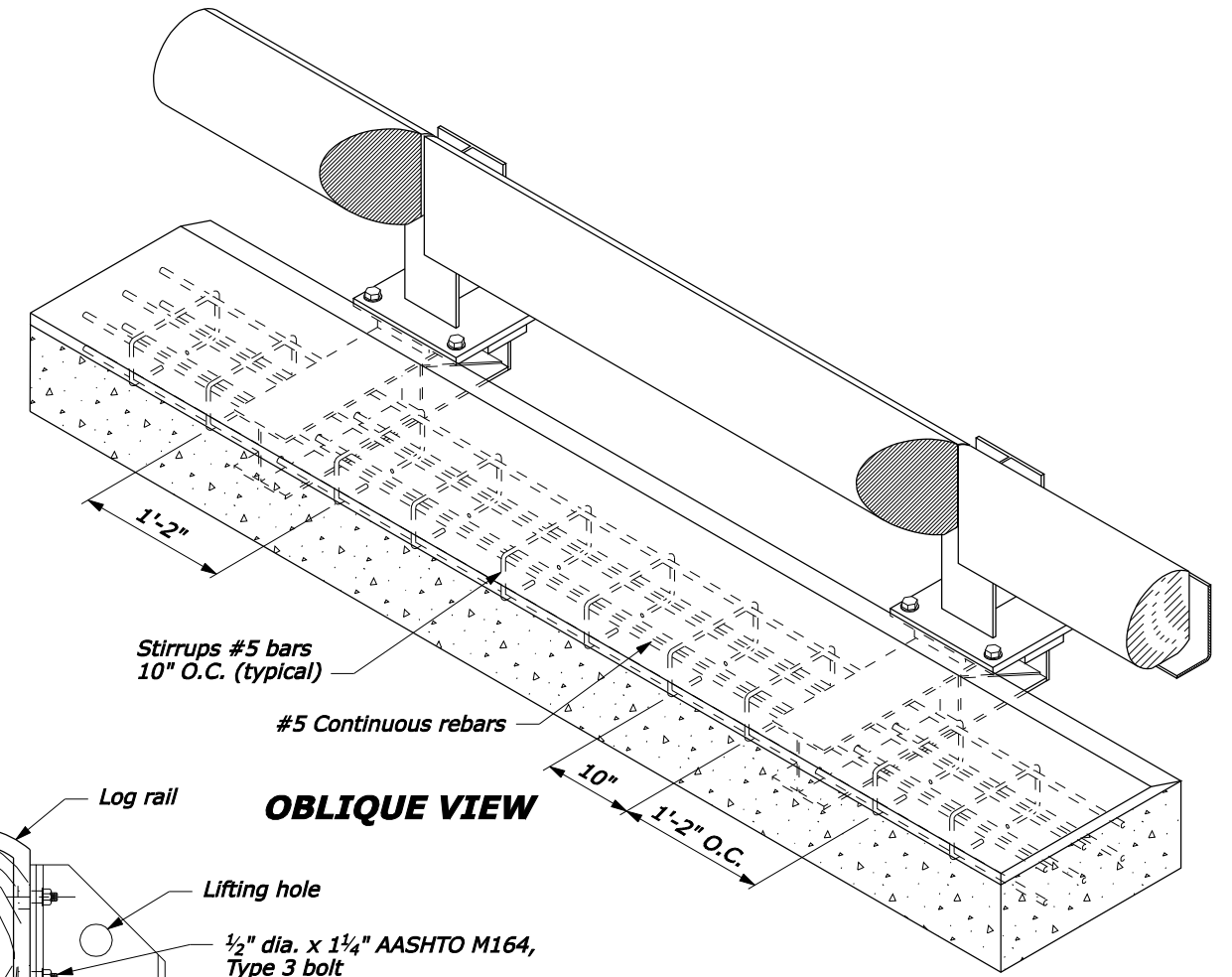
NOTE:
 1. Steel is ASTM A242 or A588, Grade 50.
 2. Concrete: minimum $f_c' = 3500$ psi.



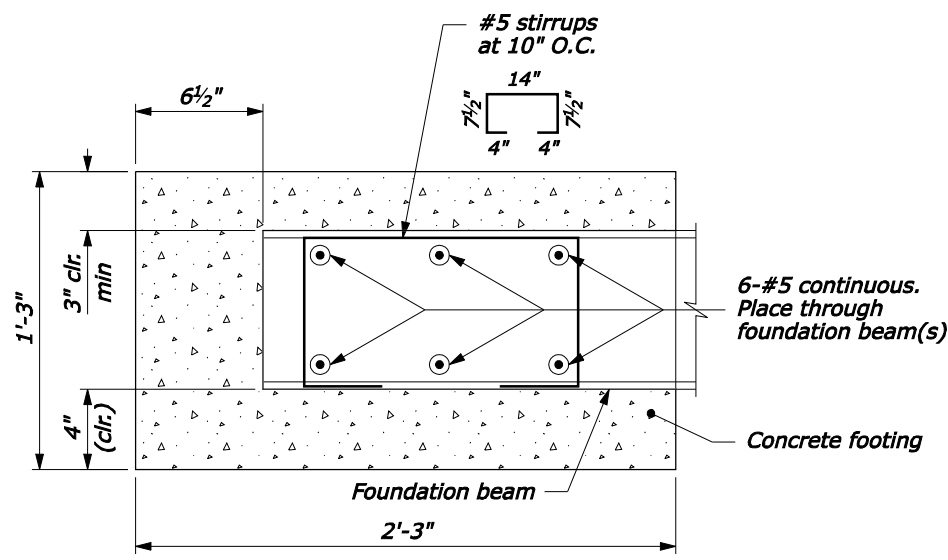
**ENDS OF RAILS AT POST:
 MAXIMUM VERTICAL
 DEFLECTION ALLOWABLE
 ELEVATION**



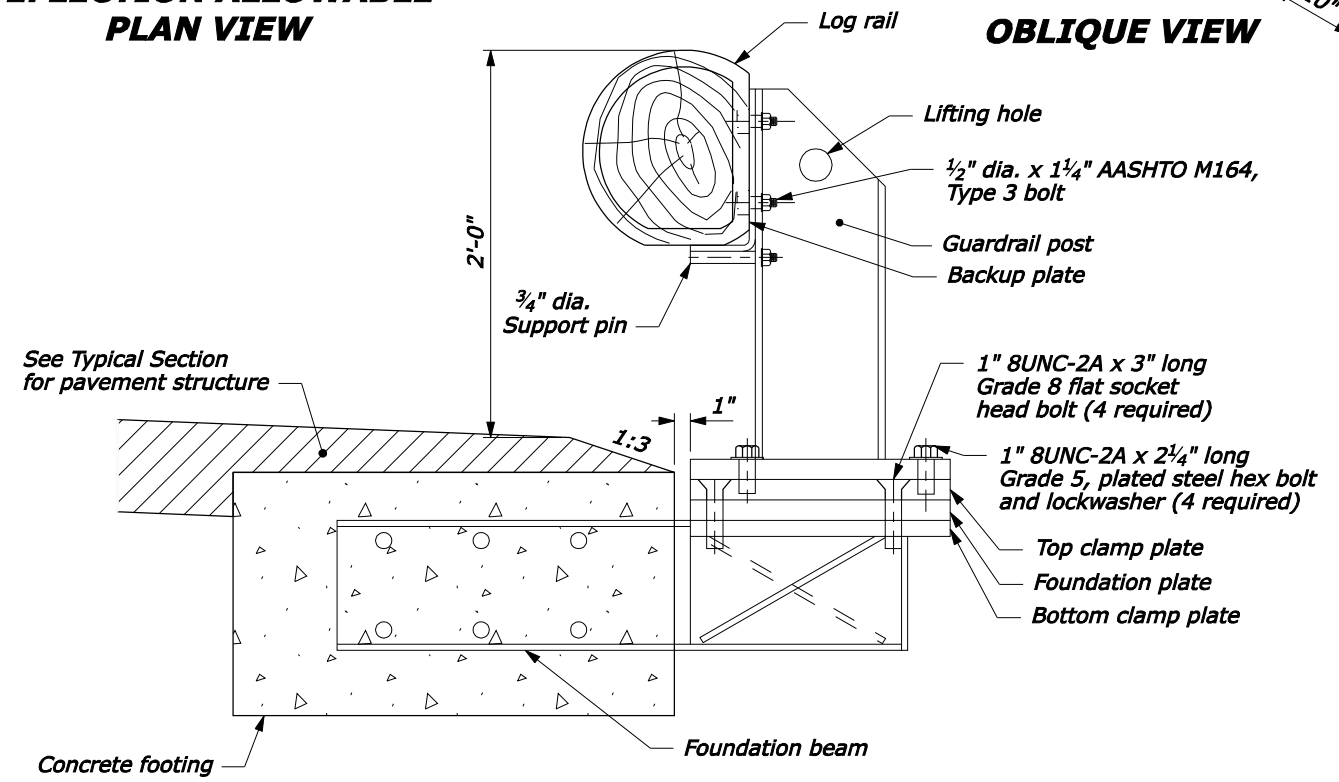
**MAXIMUM HORIZONTAL
 DEFLECTION ALLOWABLE
 PLAN VIEW**



OBLIQUE VIEW



**FOOTING DETAIL
 TYPICAL SECTION**

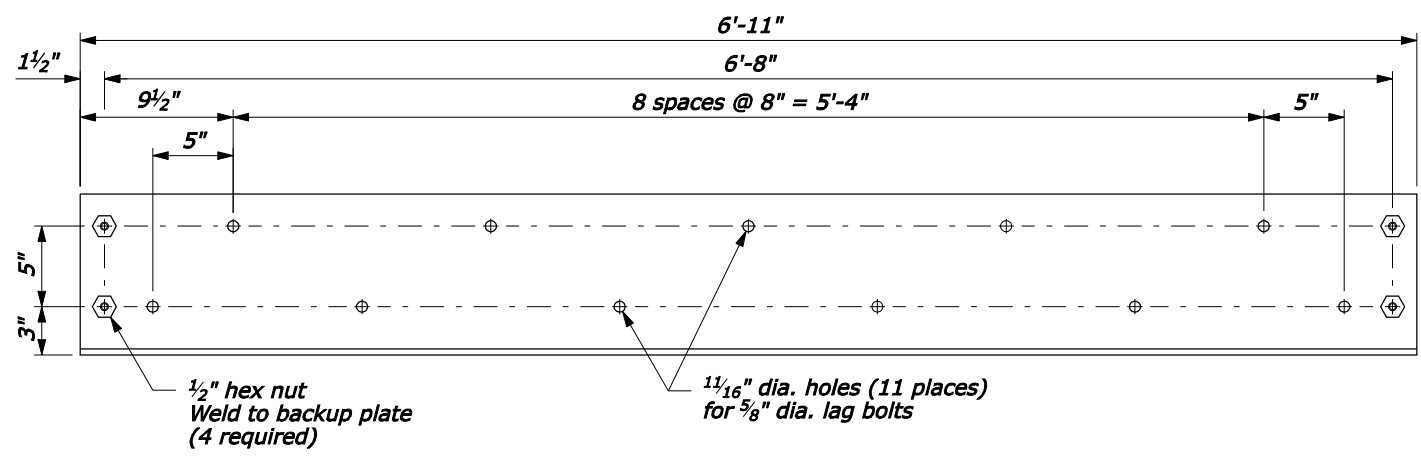


TYPICAL SECTION

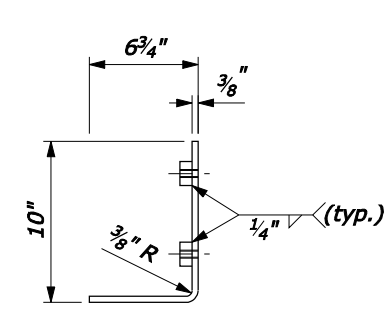
NO SCALE

U.S. DEPARTMENT OF TRANSPORTATION FEDERAL HIGHWAY ADMINISTRATION WESTERN FEDERAL LANDS HIGHWAY DIVISION	
U.S. CUSTOMARY DETAIL REMOVABLE STEEL-BACKED LOG RAIL Sheet 1 of 3	
DETAIL APPROVED FOR USE 3/2009	DETAIL W617-83

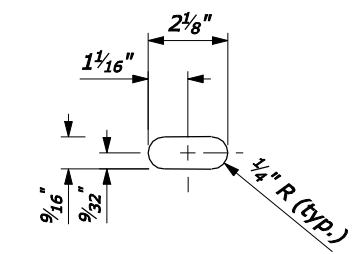
Rpt://198.145.186.2/std_plan/w61783.dgn [US Customary] 2211428-b-Y1:M 00000000



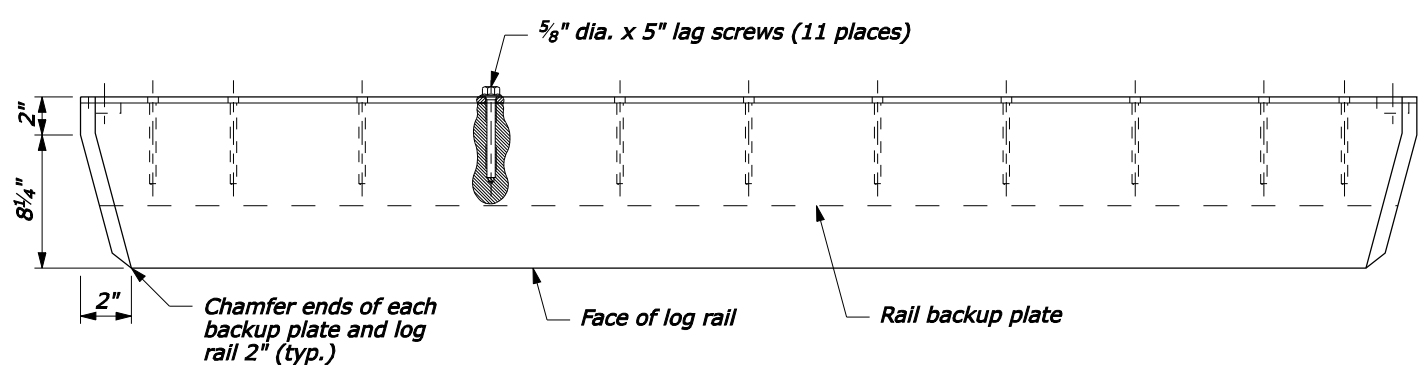
**RAIL BACKUP PLATE
ELEVATION VIEW**



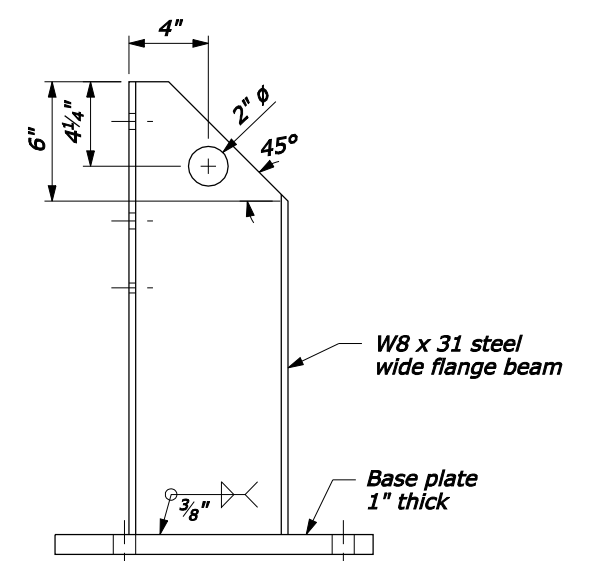
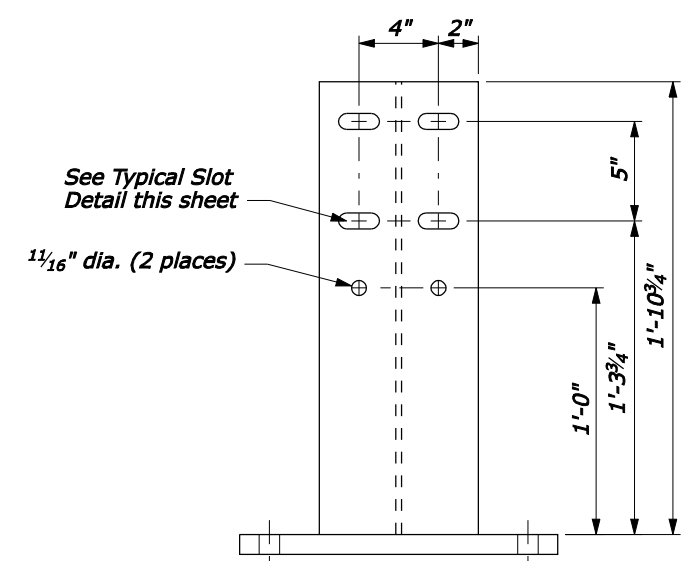
**RAIL BACKUP PLATE
SECTION VIEW**



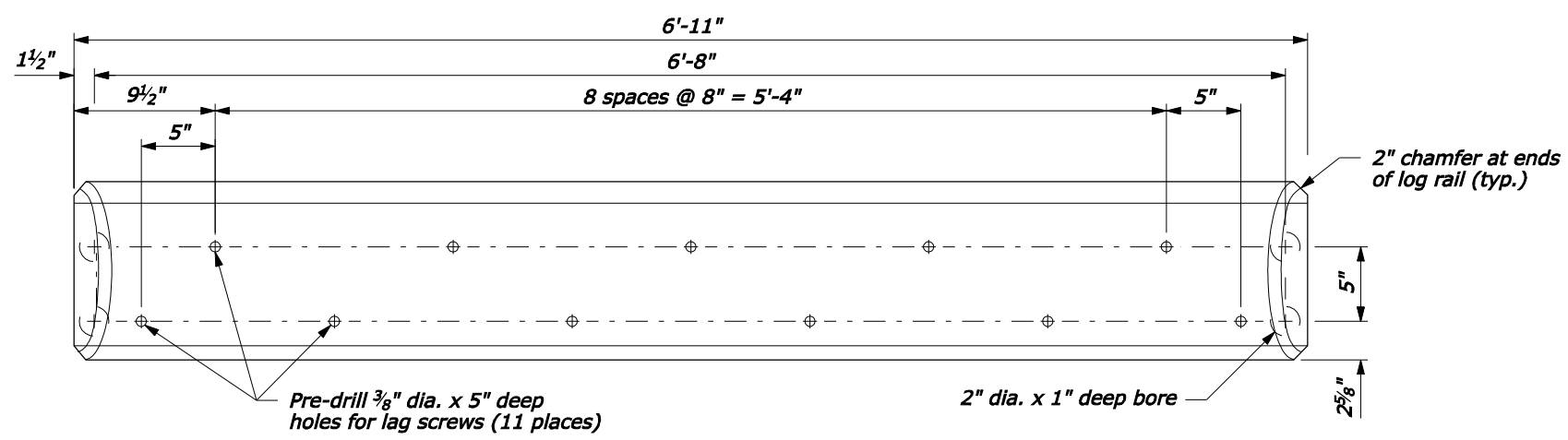
TYPICAL SLOT DETAIL



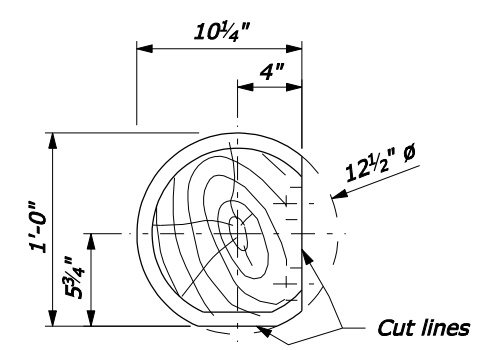
**LOG RAIL & RAIL BACKUP PLATE
PLAN VIEW**



GUARDRAIL POST



**LOG RAIL
ELEVATION VIEW**

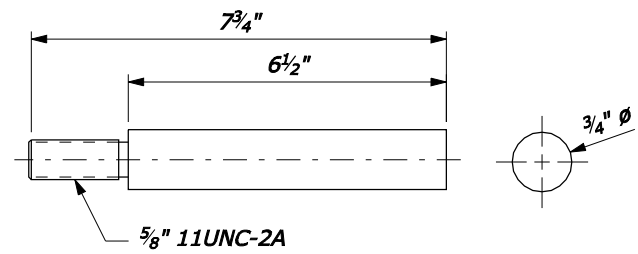


**LOG RAIL
SECTION VIEW**

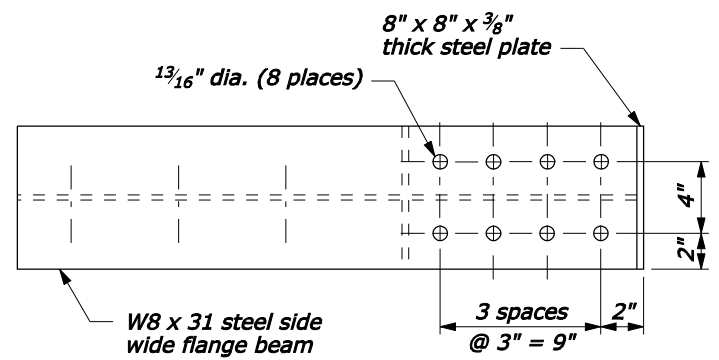
NO SCALE

U.S. DEPARTMENT OF TRANSPORTATION FEDERAL HIGHWAY ADMINISTRATION WESTERN FEDERAL LANDS HIGHWAY DIVISION	
U.S. CUSTOMARY DETAIL REMOVABLE STEEL-BACKED LOG RAIL Sheet 2 of 3	
DETAIL APPROVED FOR USE 3/2009	DETAIL
REVISED:	W617-83

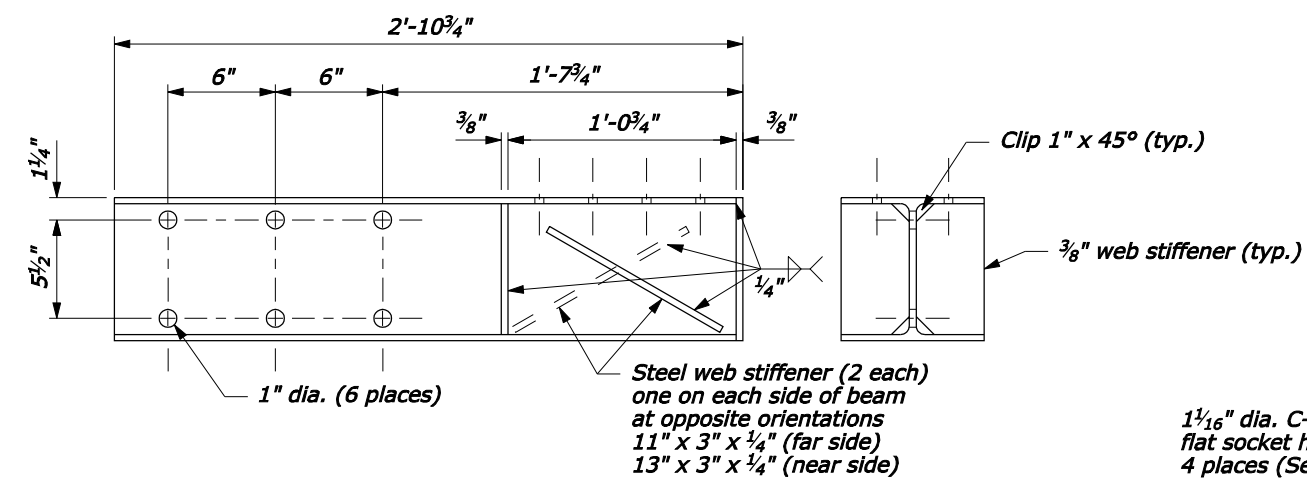
P:\198.145.186.2\std.pln\w61783.dgn [US Customary] 2211428-b-Y1:M 00000000



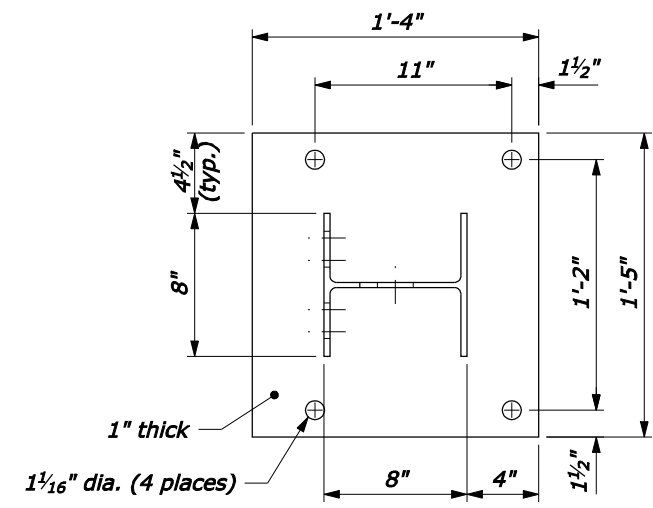
SUPPORT PIN



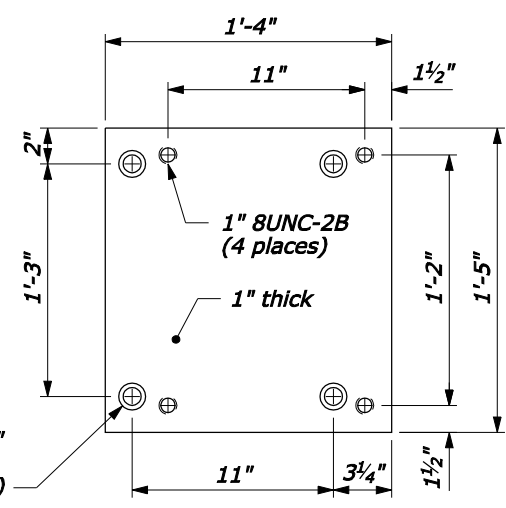
FOUNDATION BEAM



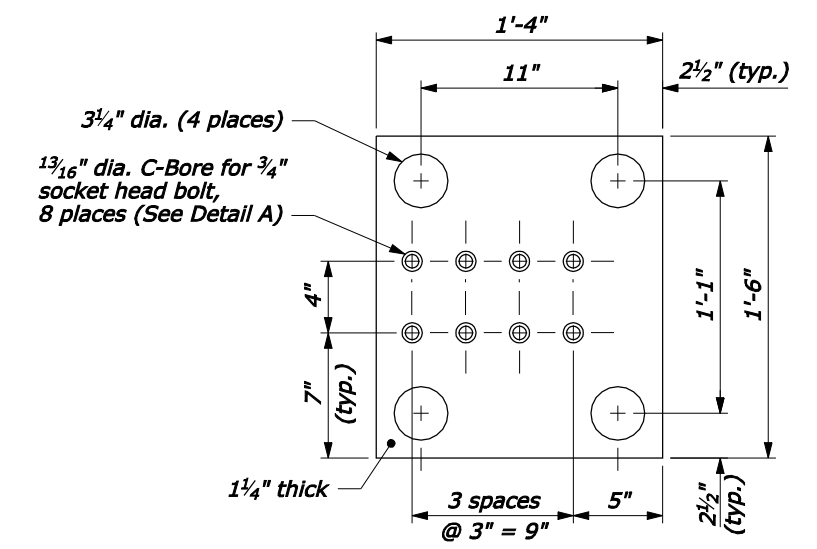
DETAIL A



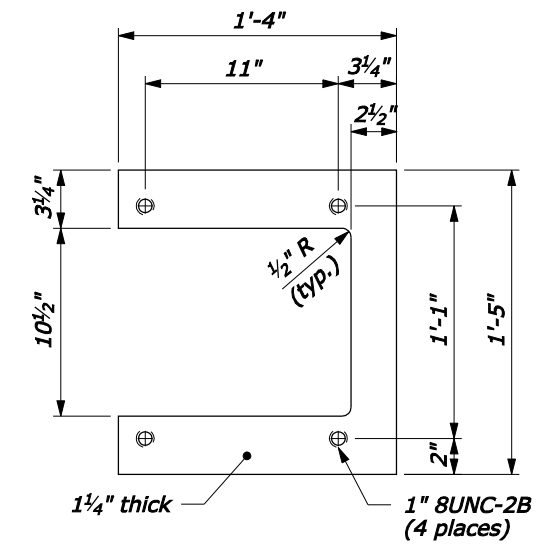
RAIL POST BASE PLATE



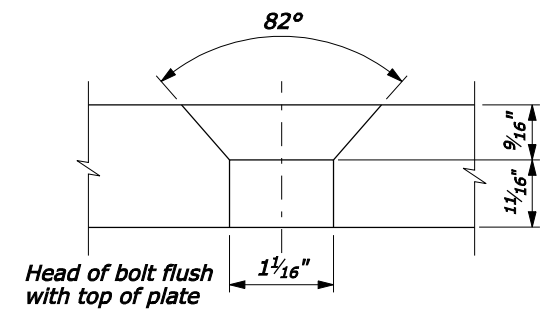
TOP CLAMP PLATE



FOUNDATION PLATE



BOTTOM CLAMP PLATE



DETAIL B

NO SCALE

U.S. DEPARTMENT OF TRANSPORTATION
 FEDERAL HIGHWAY ADMINISTRATION
 WESTERN FEDERAL LANDS HIGHWAY DIVISION

U.S. CUSTOMARY DETAIL

**REMOVABLE
 STEEL-BACKED LOG RAIL**

Sheet 3 of 3

DETAIL APPROVED FOR USE 3/2009	DETAIL
REVISED:	W617-83

Rpt://198.145.186.2/std.pln/w61783.dgn [US Customary] 2211428-b-Y1:M 00000000