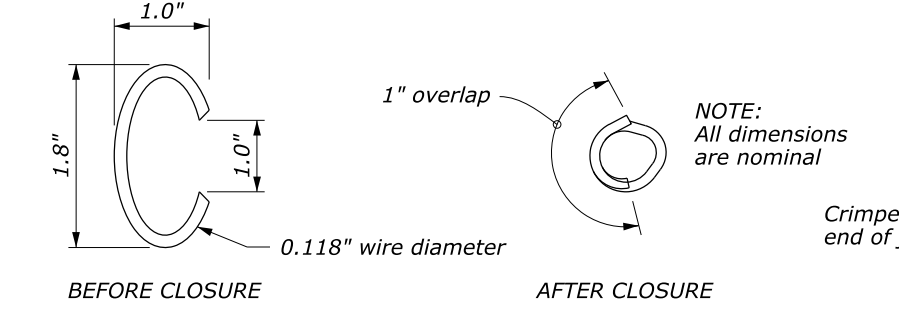


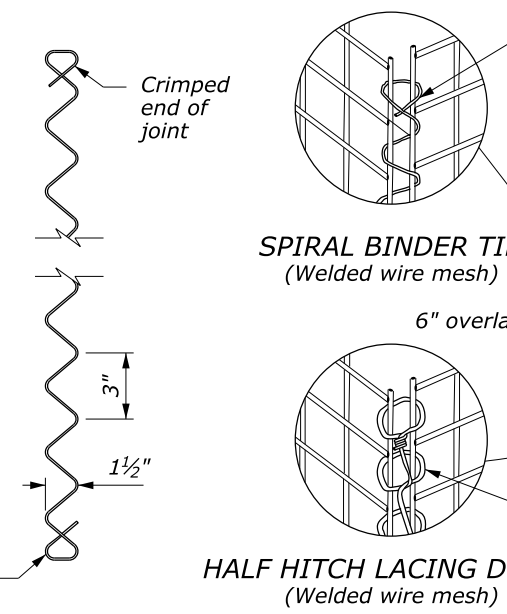
INTERLOCKING WIRE FASTENER



**OVERLAPPING RING WIRE FASTENER
ALTERNATE TYING FASTENERS**

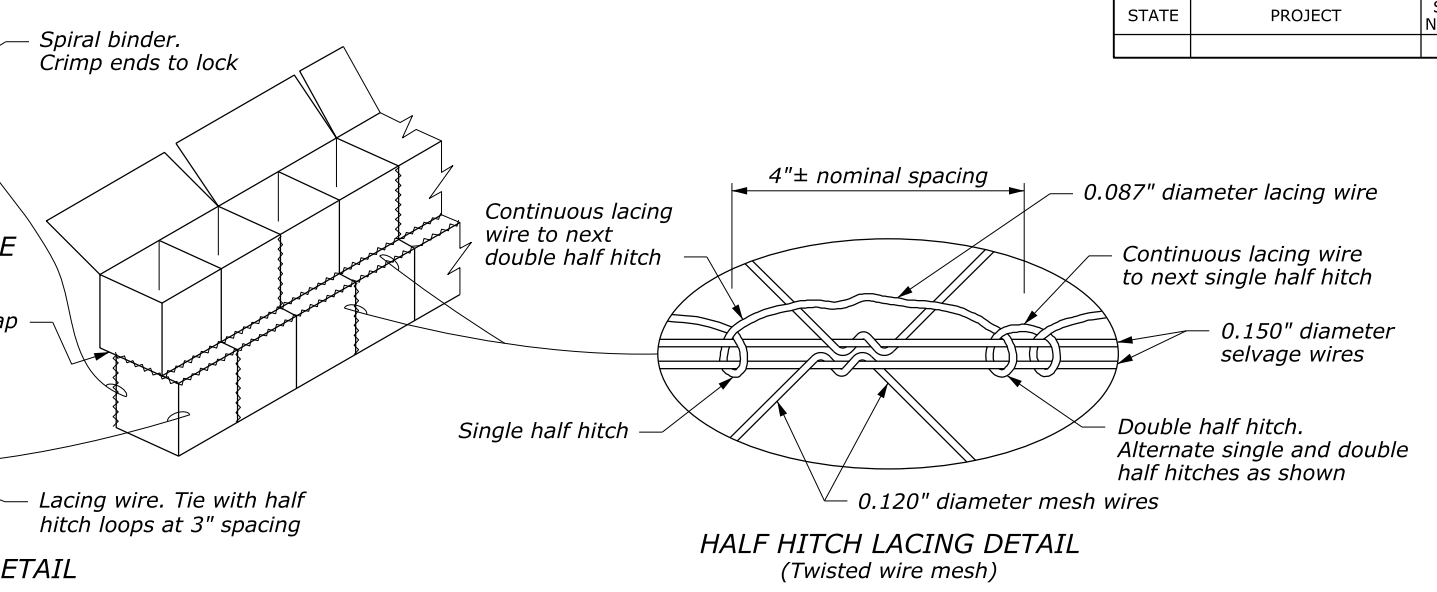
NOTE:
All dimensions
are nominal

NOTE:
All dimensions
are nominal



**SPIRAL BINDER TIE
(Welded wire mesh)**

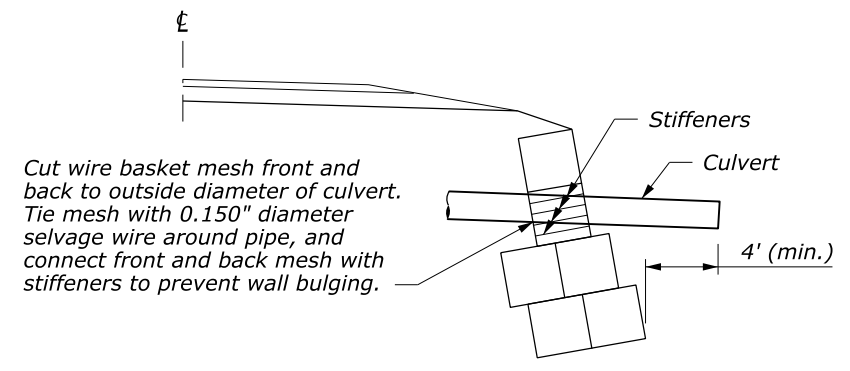
**HALF HITCH LACING DETAIL
(Welded wire mesh)**



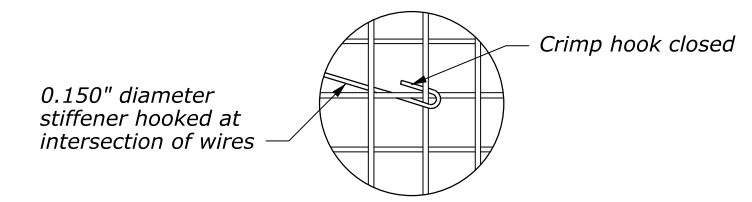
**HALF HITCH LACING DETAIL
(Twisted wire mesh)**

TYPICAL INSTALLATION GABION BASKETS

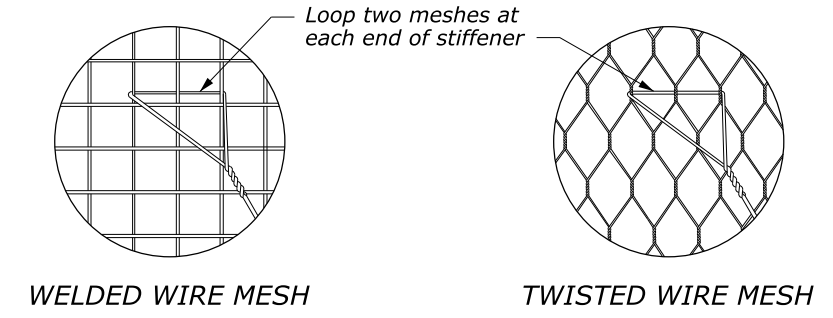
**0.150" DIAMETER
SPIRAL BINDER**



**TYPICAL CULVERT INSTALLATION
THROUGH GABION WALL**

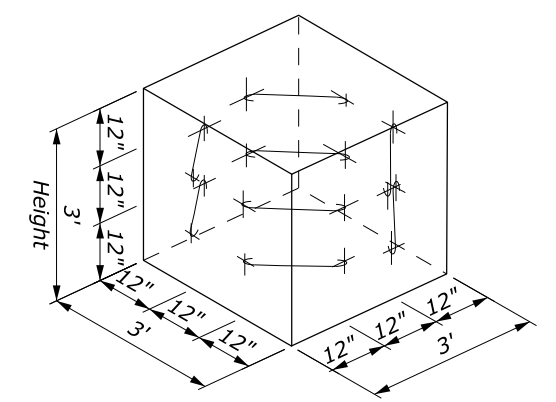


0.150" diameter
stiffener hooked at
intersection of wires



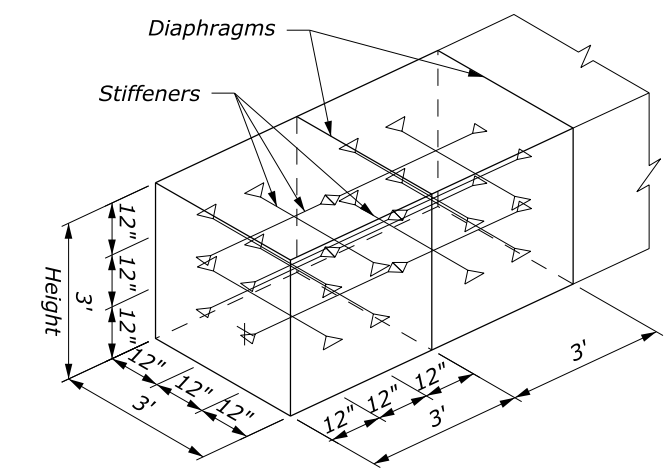
WELDED WIRE MESH

TWISTED WIRE MESH

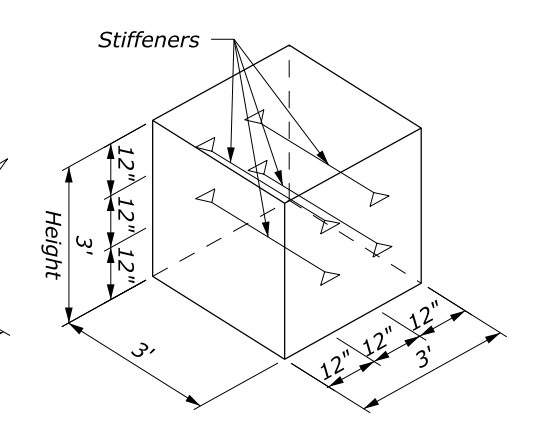


ALL GABION CELLS

**OPTIONAL STIFFENERS
WELDED WIRE GABION BASKET**

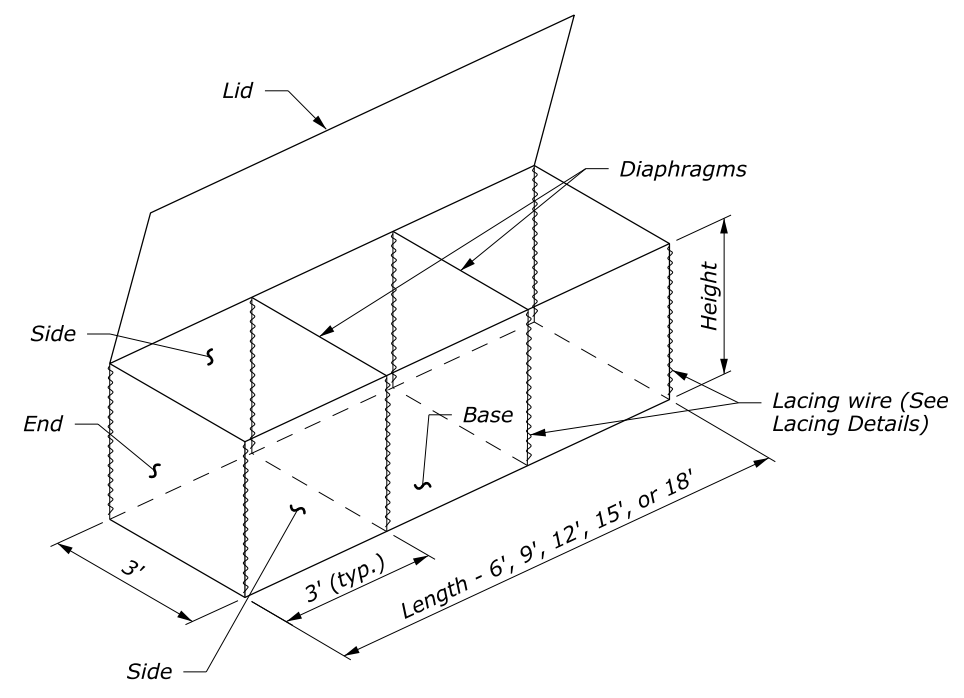


ALL END GABION CELLS



ALL INTERIOR GABION CELLS

TYPICAL STIFFENERS



TYPICAL ASSEMBLED GABION BASKET

GABION BASKET NOMINAL SIZES AND CAPACITY				
Size Code Letter	Size in feet		Diaphragm Partitions	Capacity (CUYD)
	Length	Height		
A	6	3	1	2
B	9	3	2	3
C	12	3	3	4
X	15	3	4	5
Y	18	3	5	6

NO SCALE

U.S. DEPARTMENT OF TRANSPORTATION FEDERAL HIGHWAY ADMINISTRATION WESTERN FEDERAL LANDS HIGHWAY DIVISION	
U.S. CUSTOMARY DETAIL	
GABION FACED WALL	
DETAIL APPROVED FOR USE --/---	DETAIL W253-2
REVISED: DRAFT: 9/2011	