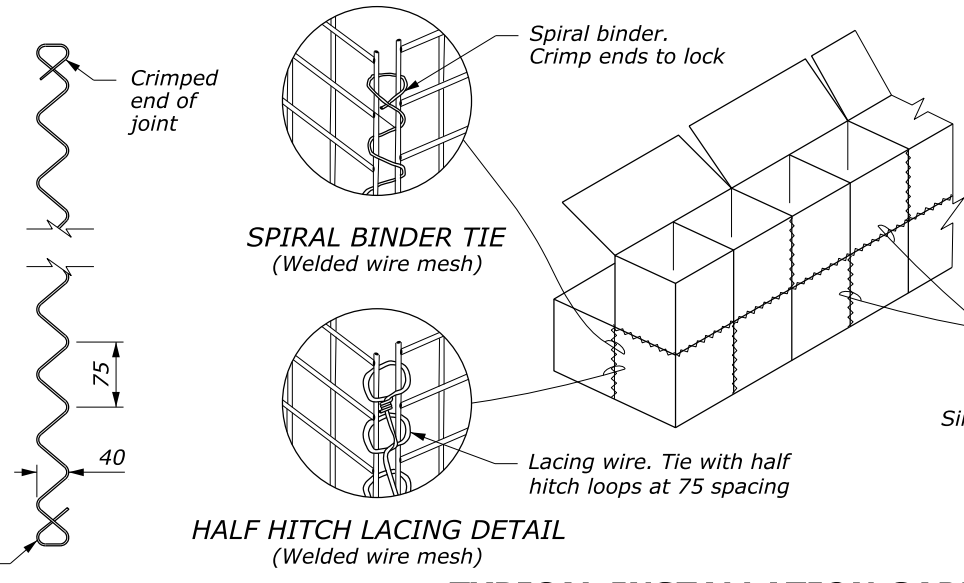


NOTE:
All dimensions
are nominal

NOTE:
All dimensions
are nominal



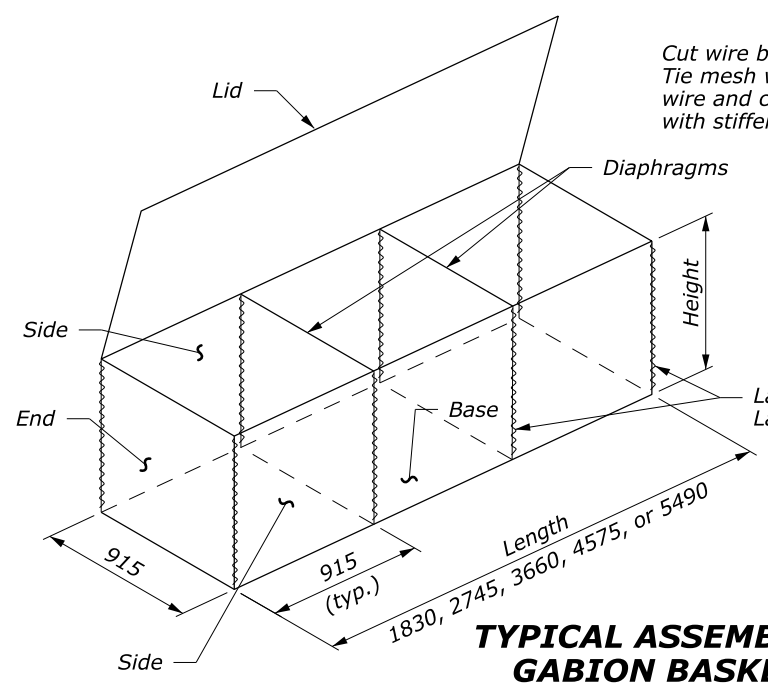
NOTE:

1. Dimensions not labeled are in millimeters.

TYPICAL INSTALLATION GABION BASKETS

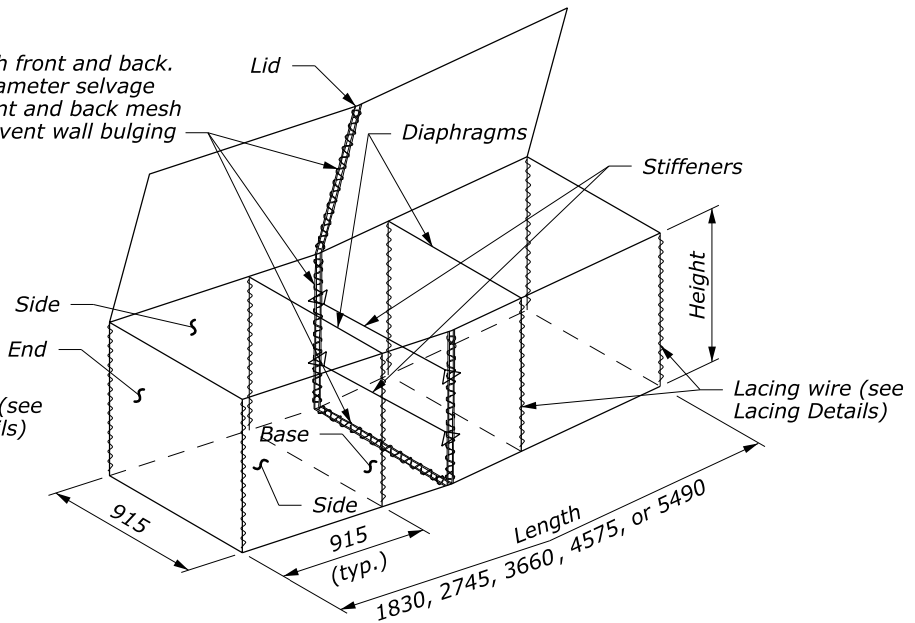
ALTERNATE TYING FASTENERS
OVERLAPPING RING WIRE FASTENER
(Not allowed for basket to basket connection)

3.8 mm DIAMETER SPIRAL BINDER

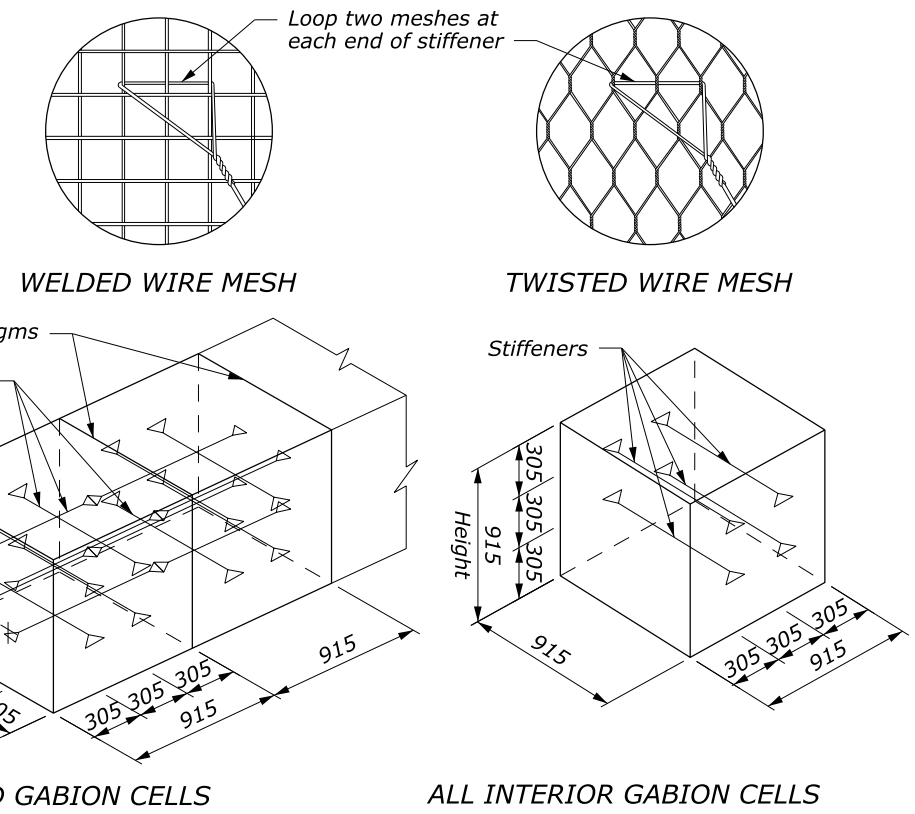


TYPICAL ASSEMBLED GABION BASKET

Cut wire basket mesh front and back. Tie mesh with 3.8 diameter selvage wire and connect front and back mesh with stiffeners to prevent wall bulging.



ASSEMBLED GABION BASKET IN WALL GRADE TRANSITION AREAS



WELDED WIRE MESH

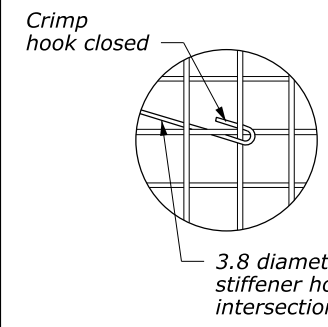
TWISTED WIRE MESH

ALL END GABION CELLS

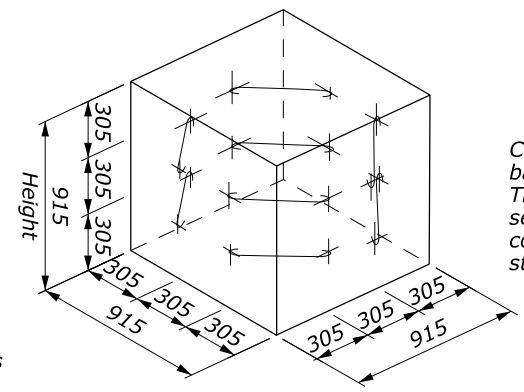
ALL INTERIOR GABION CELLS

TYPICAL STIFFENERS

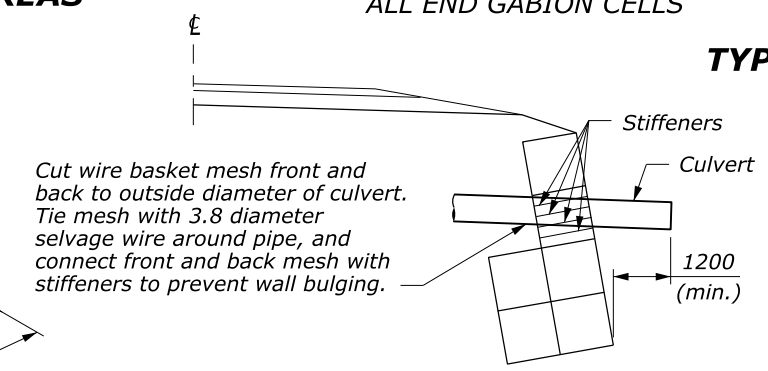
GABION BASKET NOMINAL SIZES AND CAPACITY				
Size Code Letter	Size in meters		Diaphragm Partitions	Capacity (m ³)
	Length	Height		
A	1.83	0.915	1	1.5
B	2.75	0.915	2	2.3
C	3.66	0.915	3	3.1
X	4.58	0.915	4	3.8
Y	5.49	0.915	5	4.6
D	1.83	0.45	1	0.8
E	2.75	0.45	2	1.1
F	3.66	0.45	3	1.5
G	1.83	0.30	1	0.5
H	2.75	0.30	2	0.8
I	3.66	0.30	3	1.0



3.8 diameter stiffener hooked at intersection of wires



OPTIONAL STIFFENERS WELDED WIRE GABION BASKET



TYPICAL CULVERT INSTALLATION THROUGH GABION WALL

NO SCALE

U.S. DEPARTMENT OF TRANSPORTATION
FEDERAL HIGHWAY ADMINISTRATION
WESTERN FEDERAL LANDS HIGHWAY DIVISION

METRIC DETAIL

GABION BASKET

DETAIL APPROVED FOR USE --/----

REVISD: 9/2011
DRAFT: 9/2011

DETAIL WM253-1