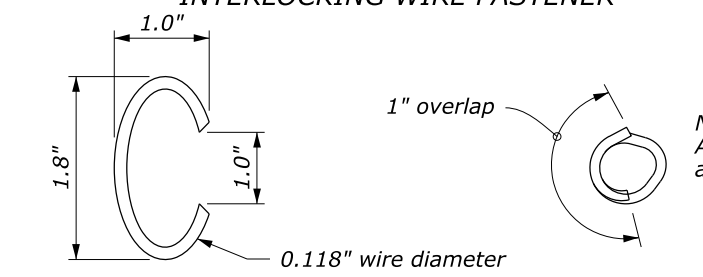


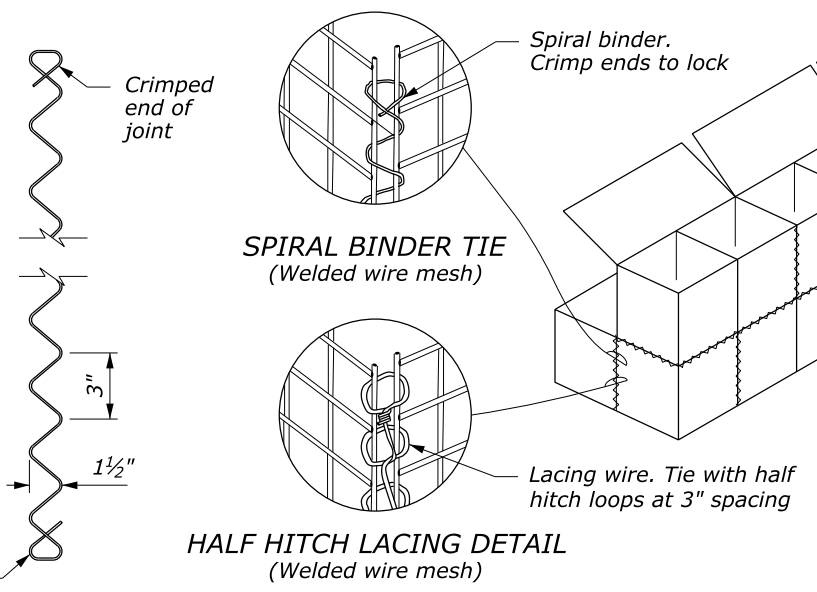
**INTERLOCKING WIRE FASTENER**



**OVERLAPPING RING WIRE FASTENER**  
(Not allowed for basket to basket connection)  
**ALTERNATE TYING FASTENERS**

NOTE:  
All dimensions  
are nominal

NOTE:  
All dimensions  
are nominal



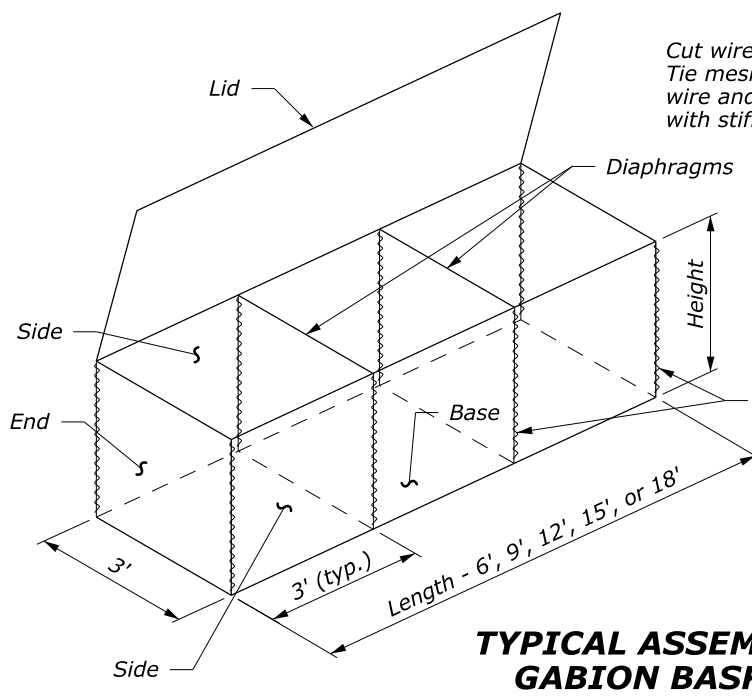
**SPIRAL BINDER TIE**  
(Welded wire mesh)

**HALF HITCH LACING DETAIL**  
(Welded wire mesh)

**HALF HITCH LACING DETAIL**  
(Twisted wire mesh)

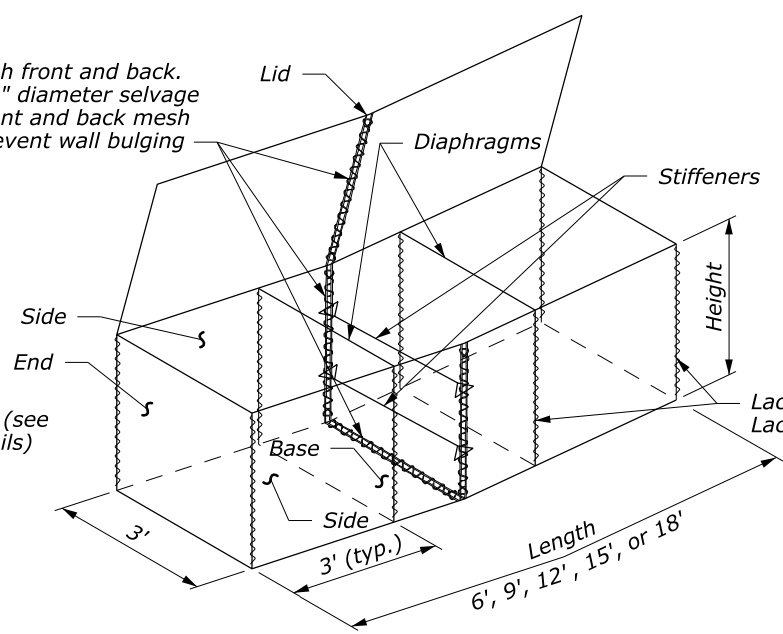
**TYPICAL INSTALLATION GABION BASKETS**

**0.150" DIAMETER SPIRAL BINDER**

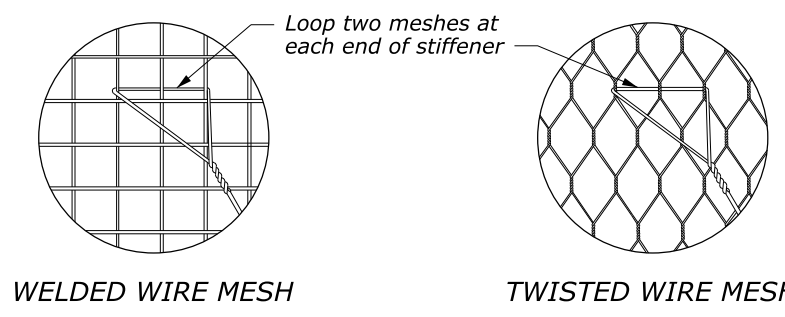


**TYPICAL ASSEMBLED GABION BASKET**

Cut wire basket mesh front and back. Tie mesh with 0.150" diameter selvage wire and connect front and back mesh with stiffeners to prevent wall bulging.

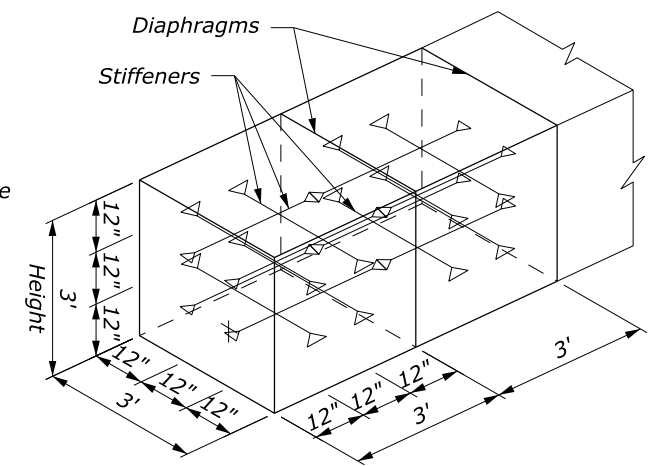


**ASSEMBLED GABION BASKET IN WALL GRADE TRANSITION AREAS**

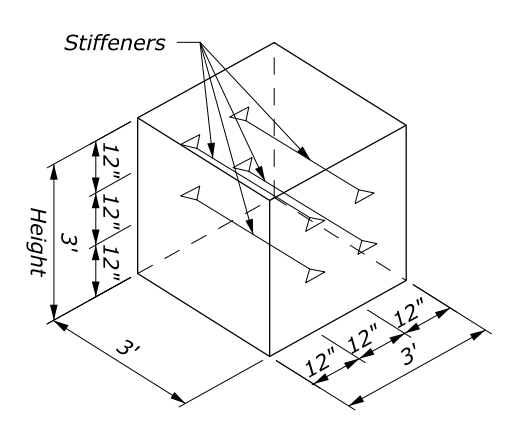


**WELDED WIRE MESH**

**TWISTED WIRE MESH**

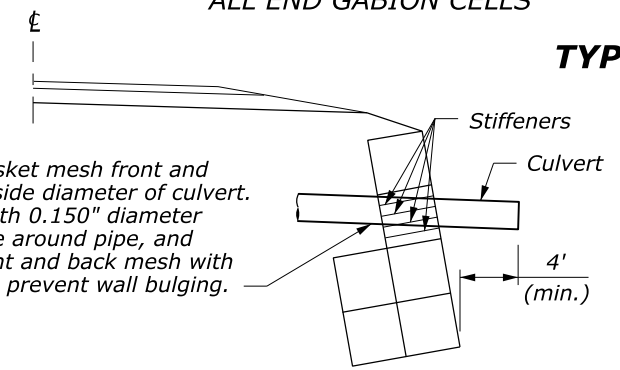


**ALL END GABION CELLS**



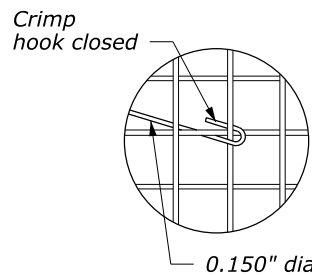
**ALL INTERIOR GABION CELLS**

**TYPICAL STIFFENERS**

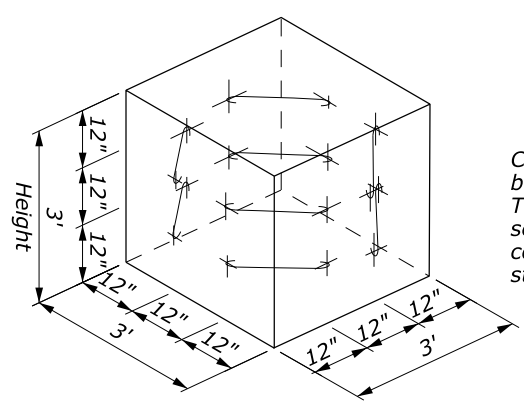


**TYPICAL CULVERT INSTALLATION THROUGH GABION WALL**

GABION BASKET NOMINAL SIZES AND CAPACITY				
Size Code Letter	Size in feet		Diaphragm Partitions	Capacity (CUYD)
	Length	Height		
A	6	3.0	1	2.00
B	9	3.0	2	3.00
C	12	3.0	3	4.00
X	15	3.0	4	5.00
Y	18	3.0	5	6.00
D	6	1.5	1	1.00
E	9	1.5	2	1.50
F	12	1.5	3	2.00
G	6	1.0	1	0.67
H	9	1.0	2	1.00
I	12	1.0	3	1.33



0.150" diameter stiffener hooked at intersection of wires



**ALL GABION CELLS**

**OPTIONAL STIFFENERS WELDED WIRE GABION BASKET**

NO SCALE

U.S. DEPARTMENT OF TRANSPORTATION  
FEDERAL HIGHWAY ADMINISTRATION  
WESTERN FEDERAL LANDS HIGHWAY DIVISION

U.S. CUSTOMARY DETAIL

**GABION BASKET**

DETAIL APPROVED FOR USE --/---

REVISIONS:  
DRAFT: 9/2011

DETAIL  
W253-1