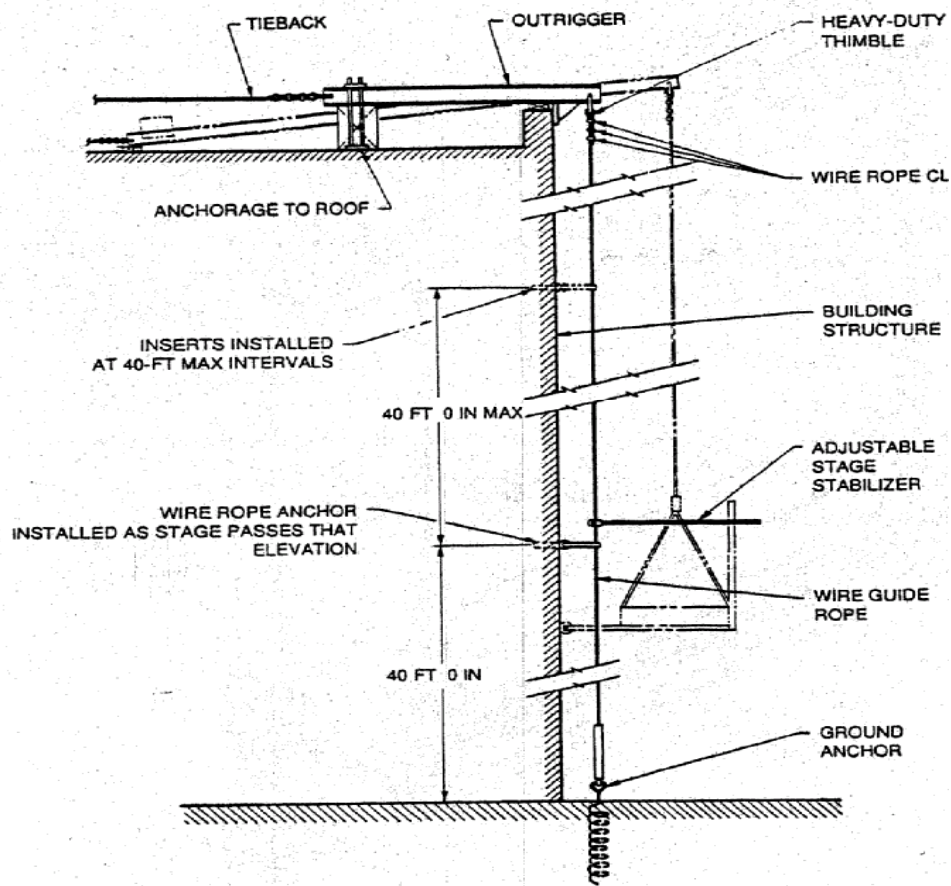


**APPENDIX L**  
**SCAFFOLDS, WORK STANDS, AND**  
**PLATFORMS**

**FIGURE L-1**

**SCAFFOLDS**

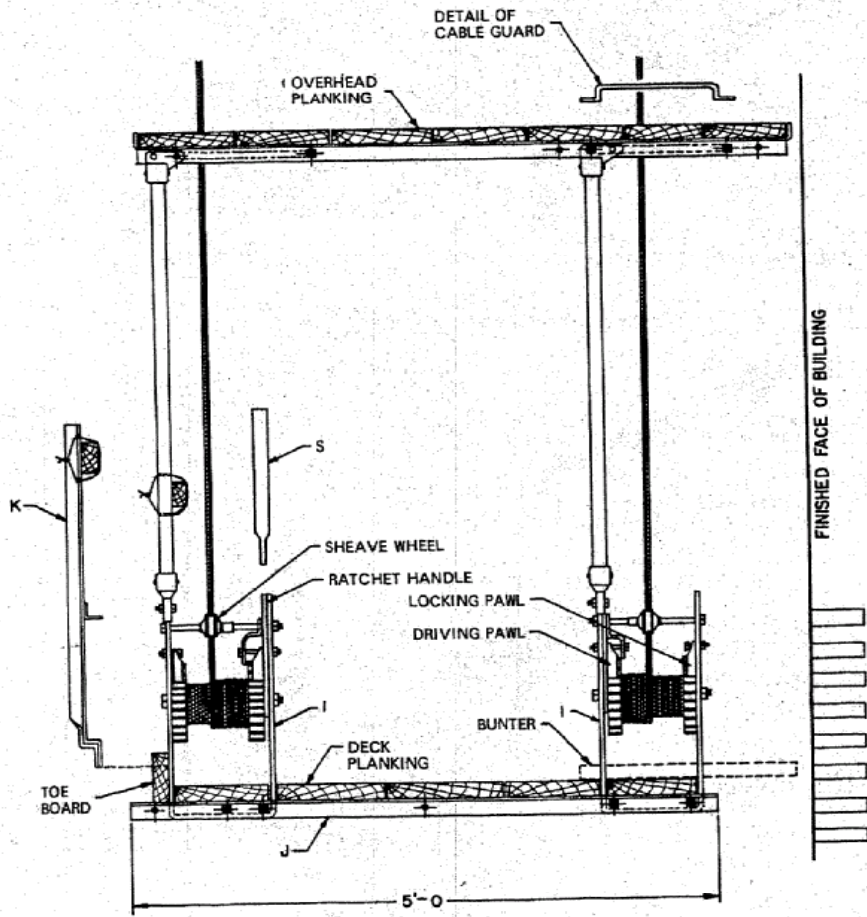
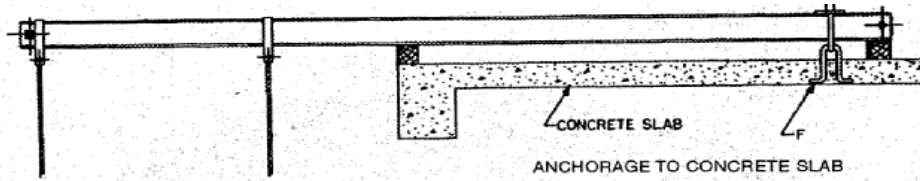


**Two-Point Suspension Scaffold  
Ground-Rigged Sway Control**

EM 385-1-1  
3 Nov 03

### FIGURE L-1 (CONTINUED)

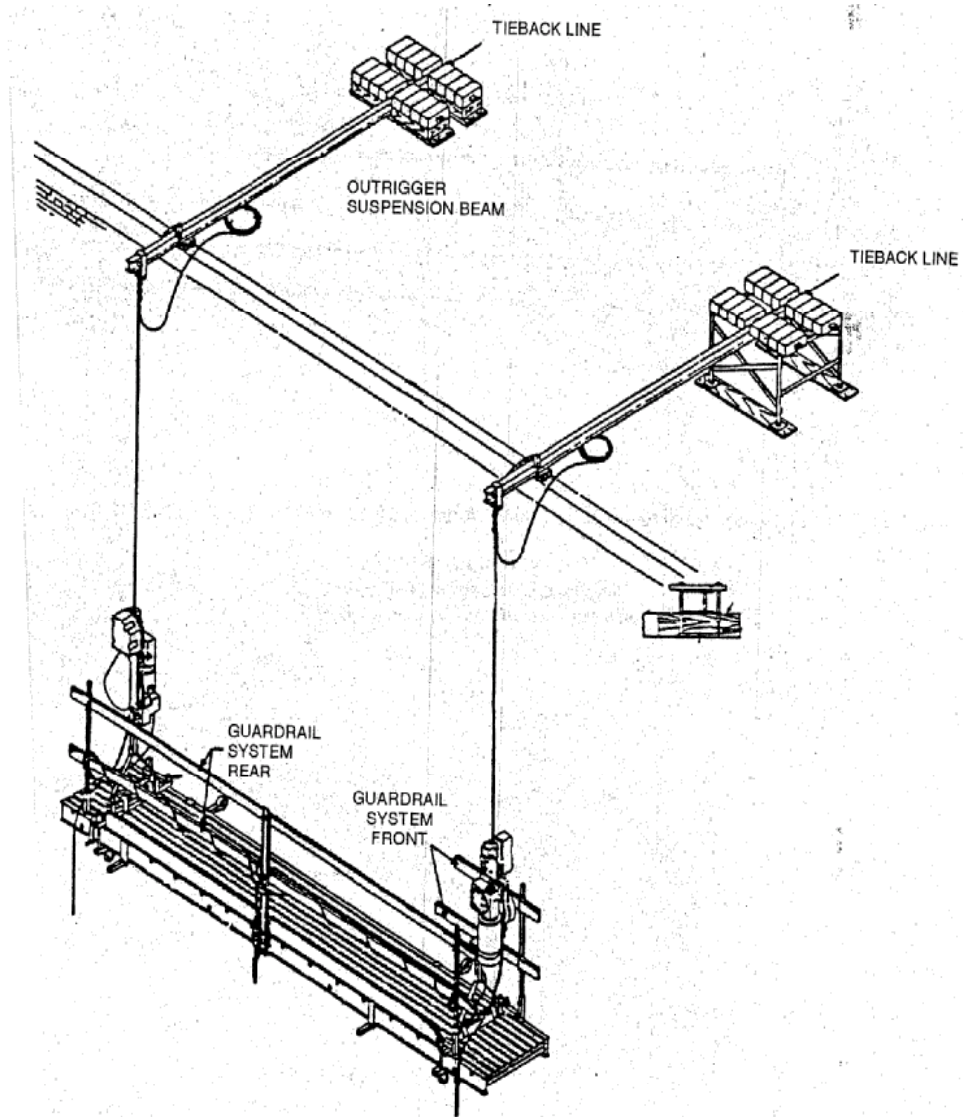
### SCAFFOLDS



Masons' Adjustable  
Multiple-Point Suspension Scaffold

FIGURE L-1 (CONTINUED)

SCAFFOLDS

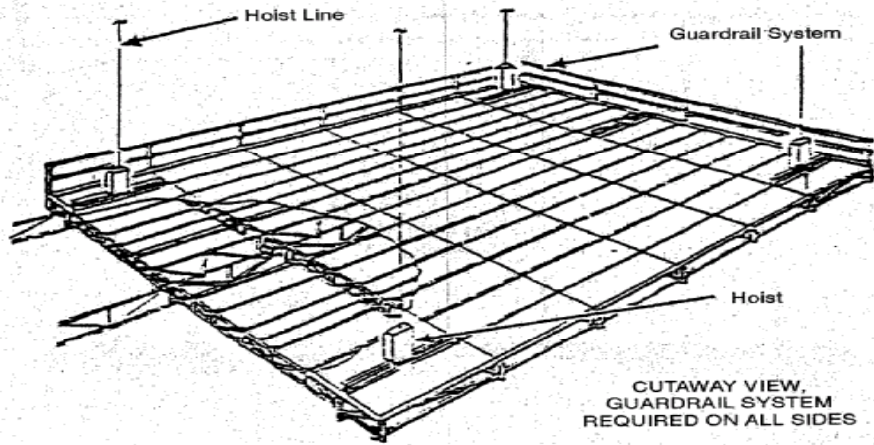


Two-Point Suspension Scaffold  
with Powered Traction Hoists

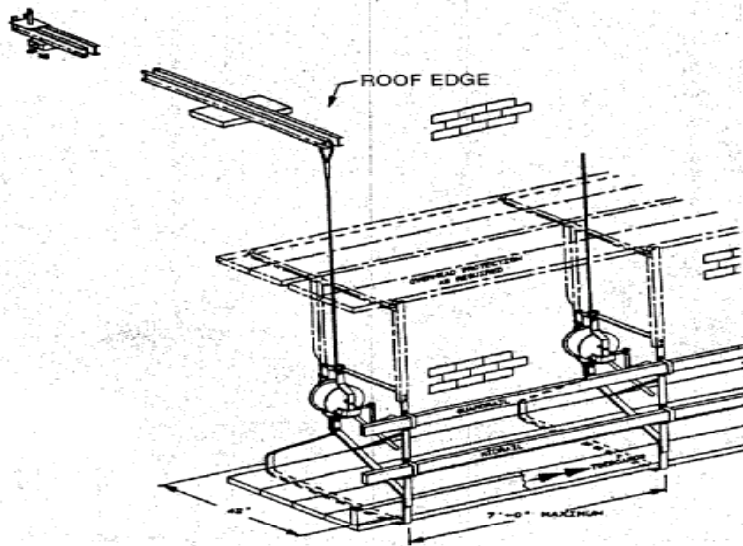
EM 385-1-1  
3 Nov 03

### FIGURE L-1 (CONTINUED)

### SCAFFOLDS



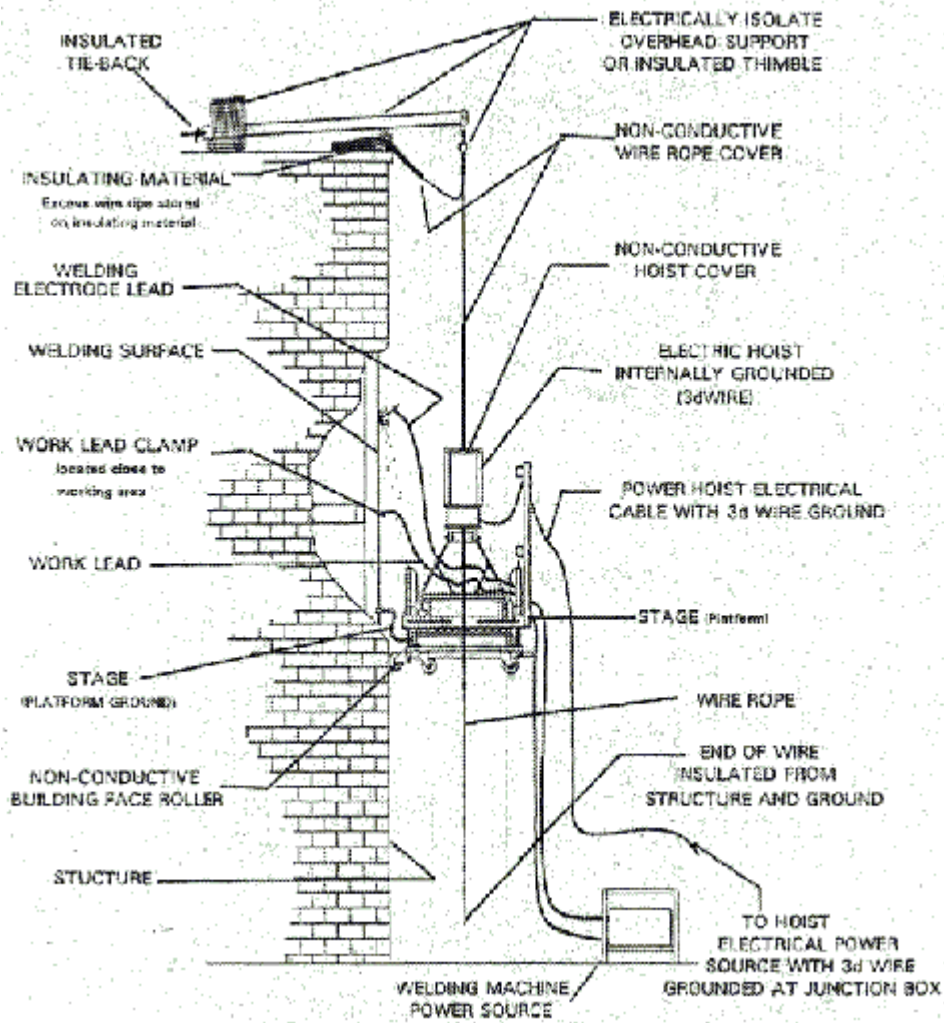
#### Multiple-Point Suspension Scaffold



#### Light-Duty Masons' Adjustable Multiple-Point Suspension Scaffold

FIGURE L-1 (CONTINUED)

SCAFFOLDS

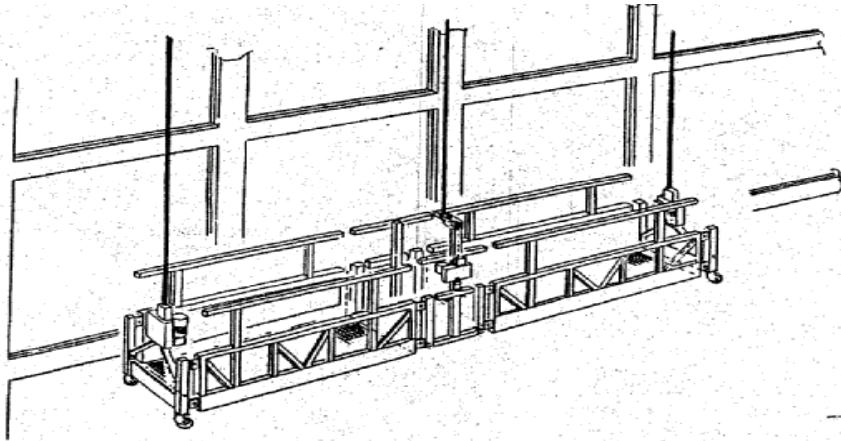




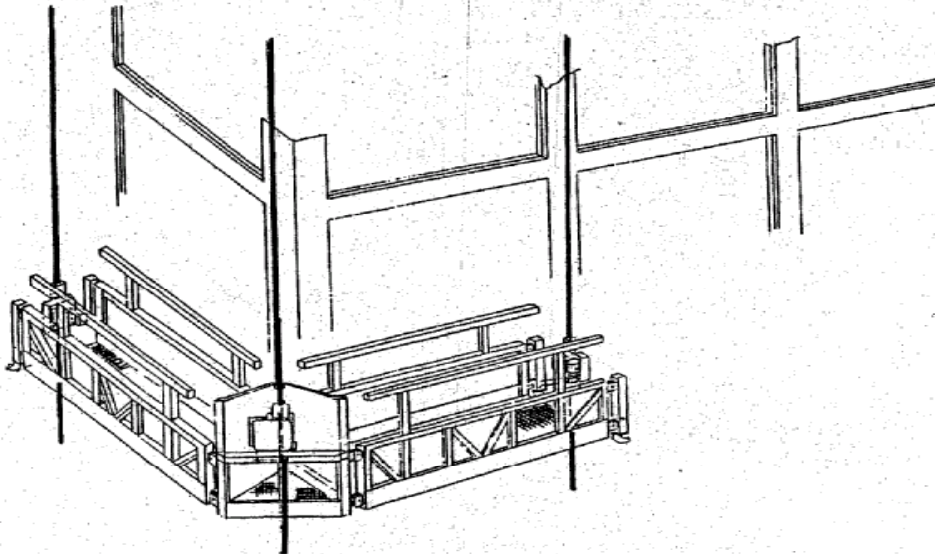
EM 385-1-1  
3 Nov 03

**FIGURE L-1 (CONTINUED)**

**SCAFFOLDS**



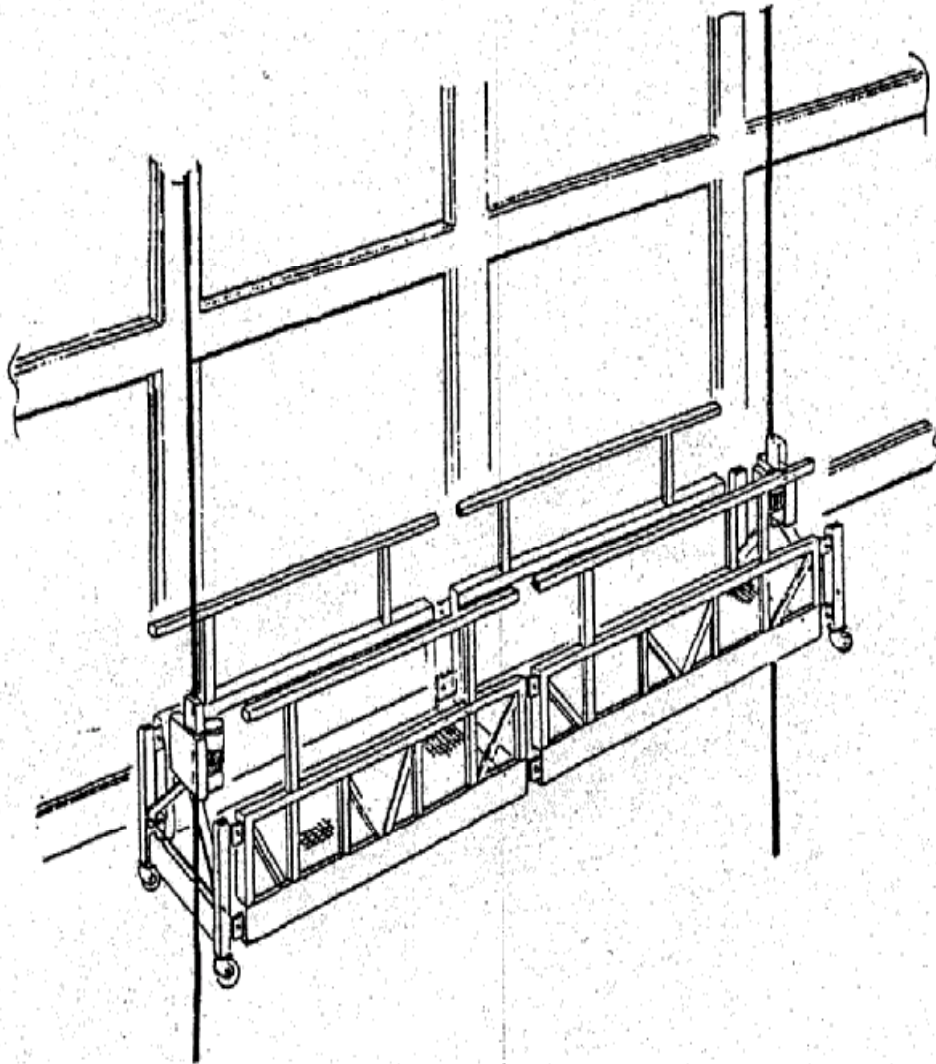
**Modular Suspended Scaffold**



**Modular Suspended Scaffold with an Angled Section**

**FIGURE L-1 (CONTINUED)**

**SCAFFOLDS**

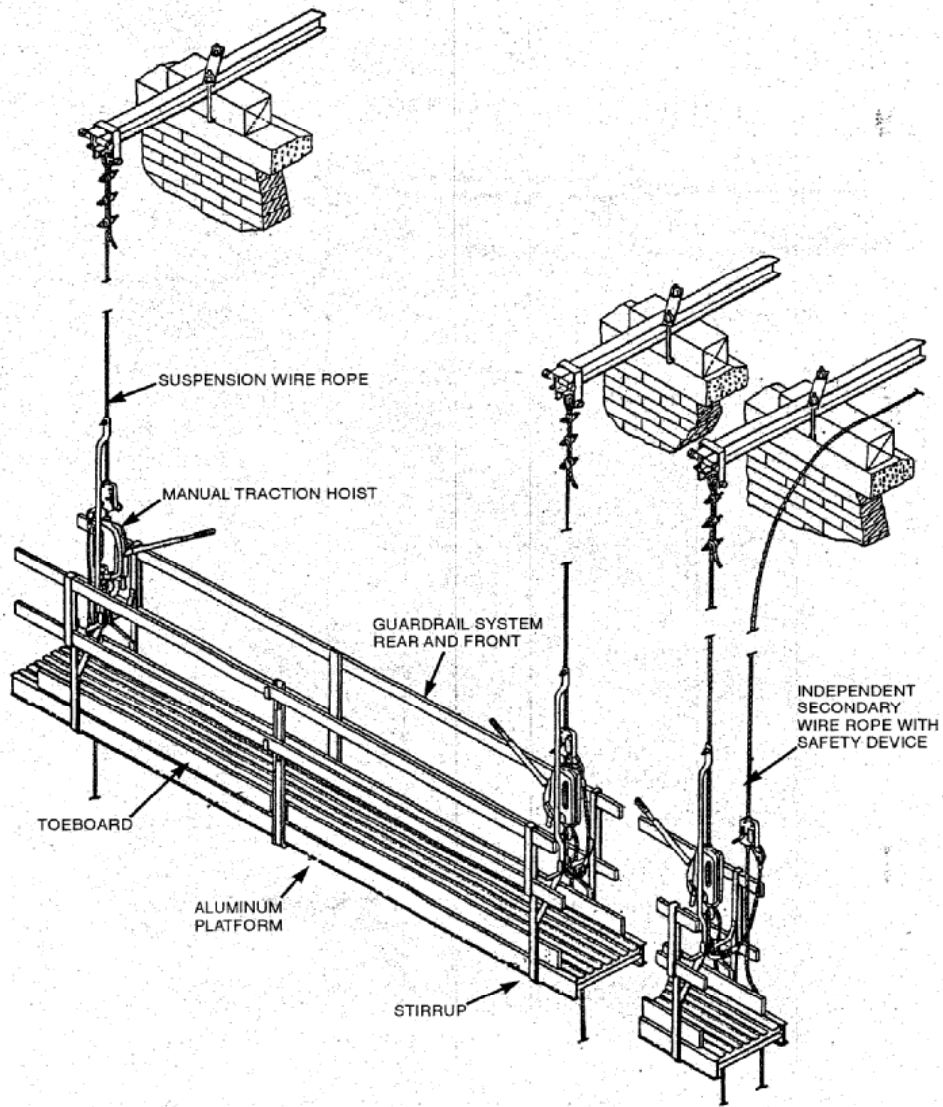


**Two-Point Modular Suspended Scaffold**

EM 385-1-1  
3 Nov 03

### FIGURE L-1 (CONTINUED)

### SCAFFOLDS

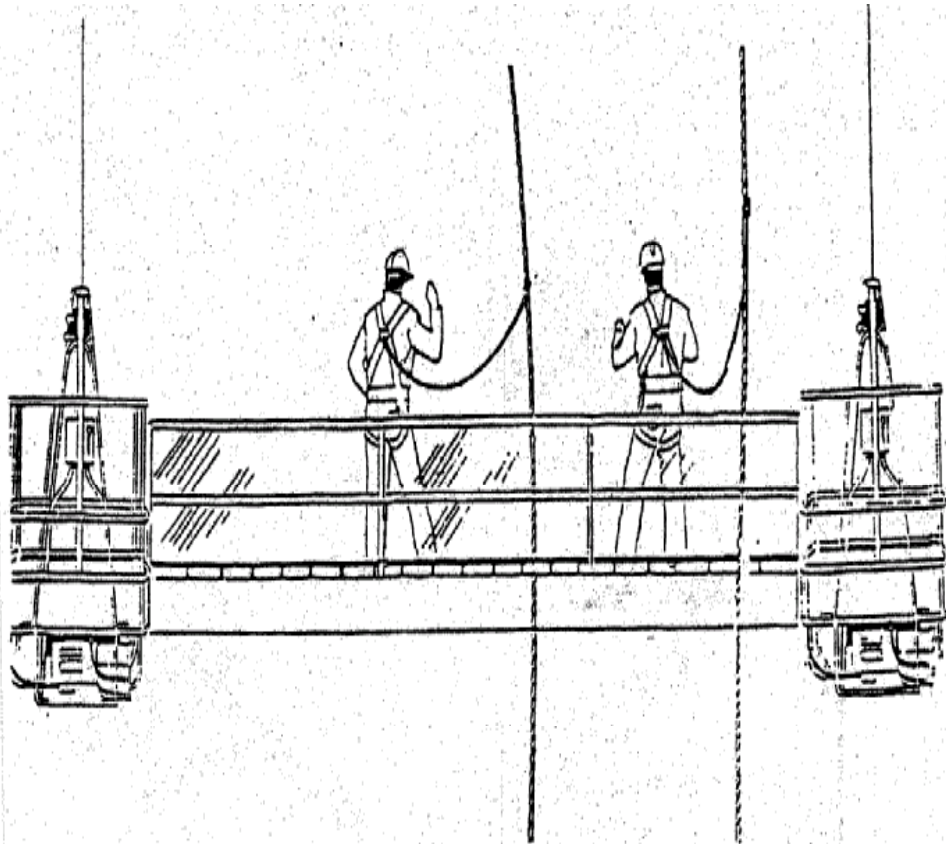


**Two-Point Suspension Scaffold  
with Manual Traction Hoists**



**FIGURE L-1 (CONTINUED)**

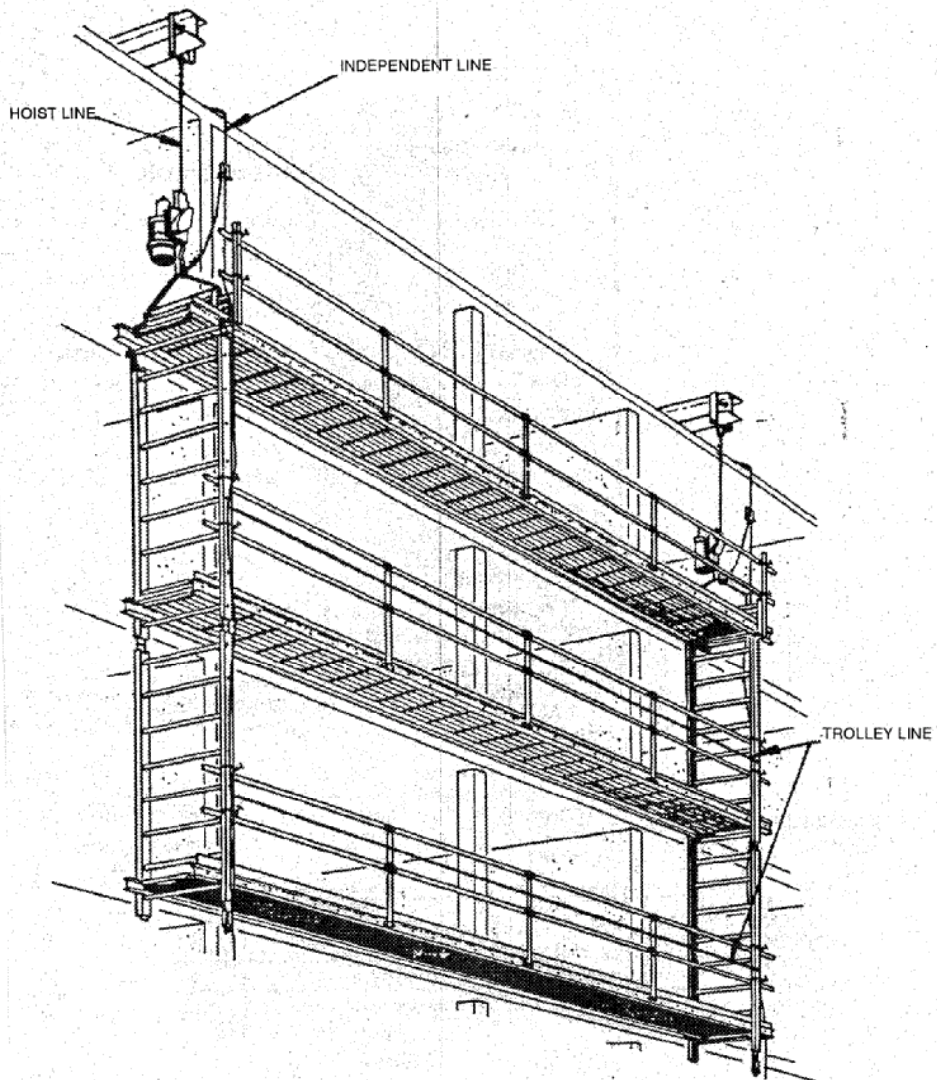
**SCAFFOLDS**



**Two-Point Suspension Scaffold  
with Powered Winding Drum Hoists**

EM 385-1-1  
3 Nov 03

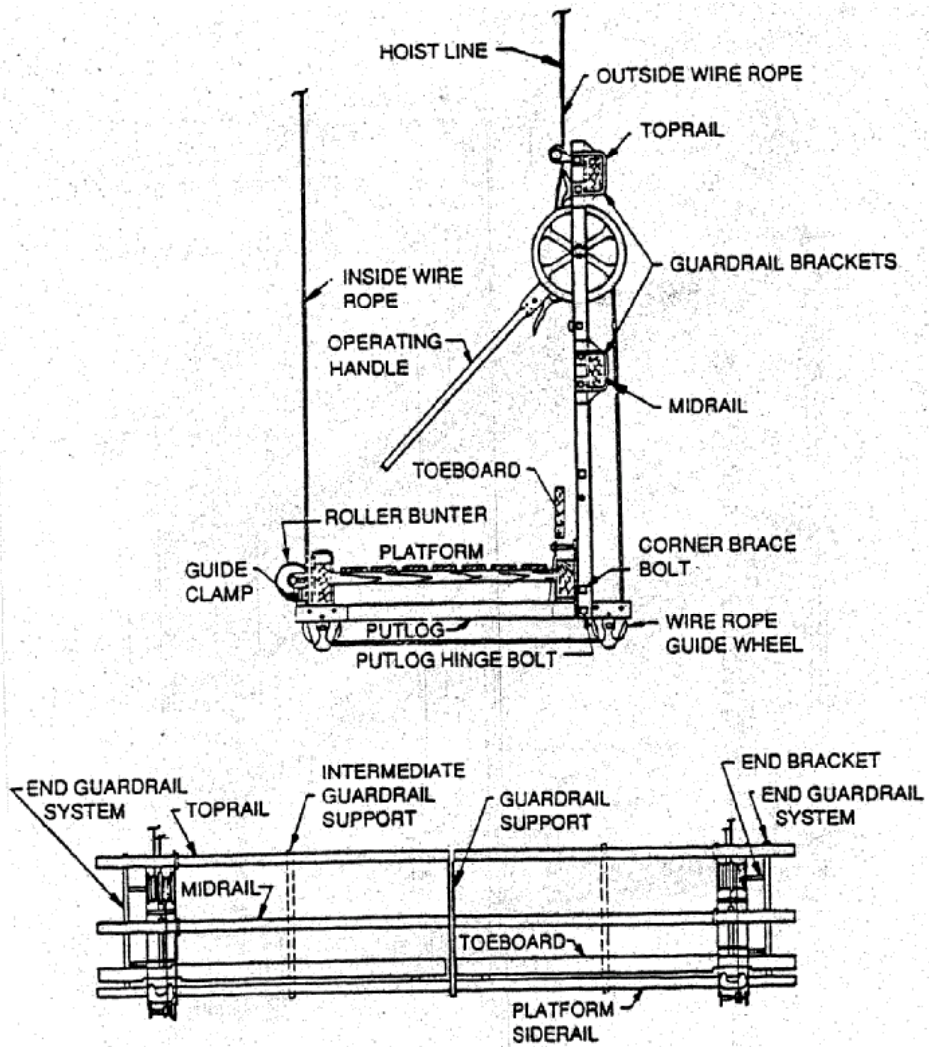
**FIGURE L-1 (CONTINUED)**  
**SCAFFOLDS**



**Multiple-Level Suspended Scaffold  
with Powered Hoists**

FIGURE L-1 (CONTINUED)

SCAFFOLDS

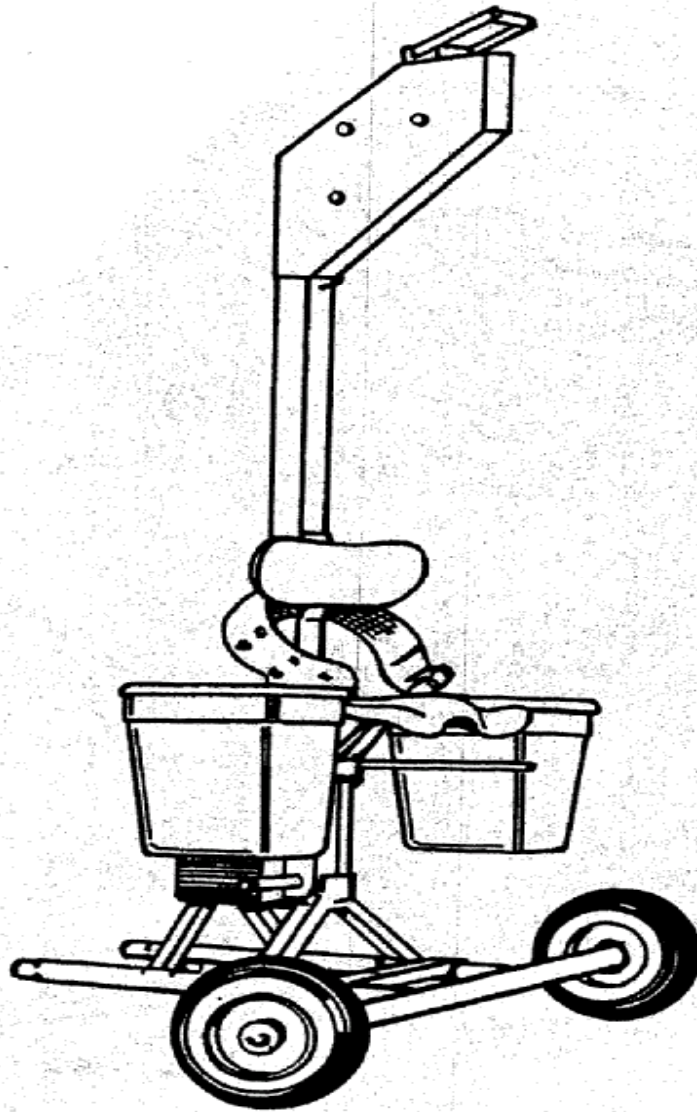


Stone Setters' Adjustable  
Manual Multiple-Point Suspension Scaffold

EM 385-1-1  
3 Nov 03

**FIGURE L-1 (CONTINUED)**

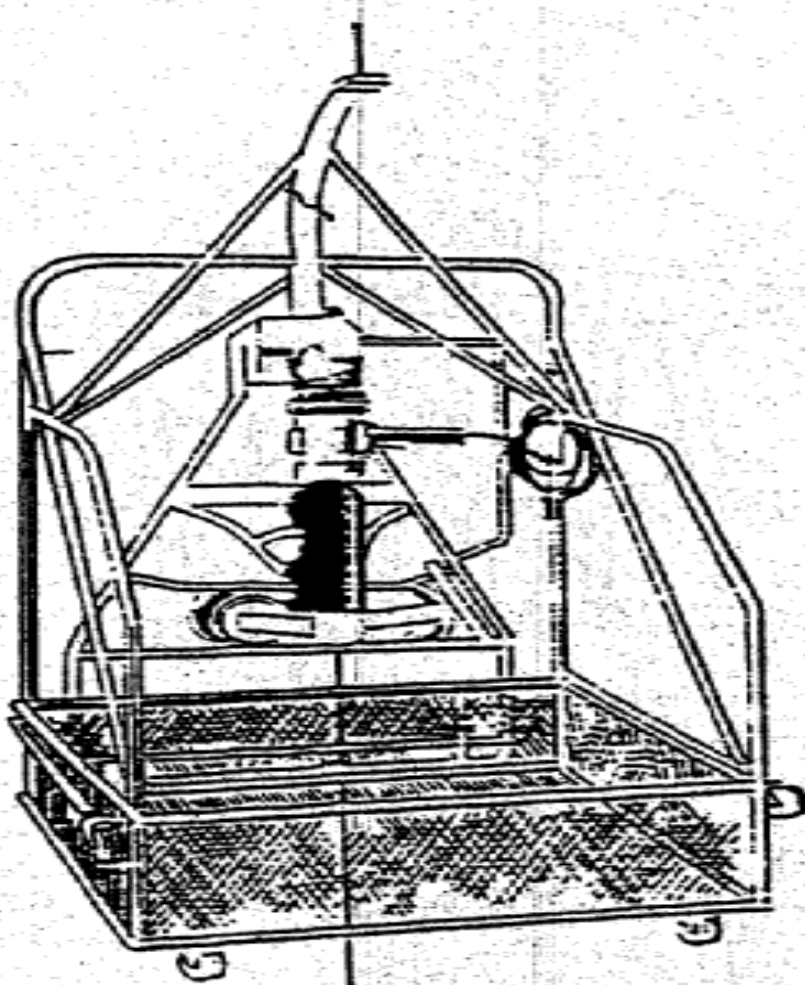
**SCAFFOLDS**



**Boatswains' Chair (Powered)**

**FIGURE L-1 (CONTINUED)**

**SCAFFOLDS**

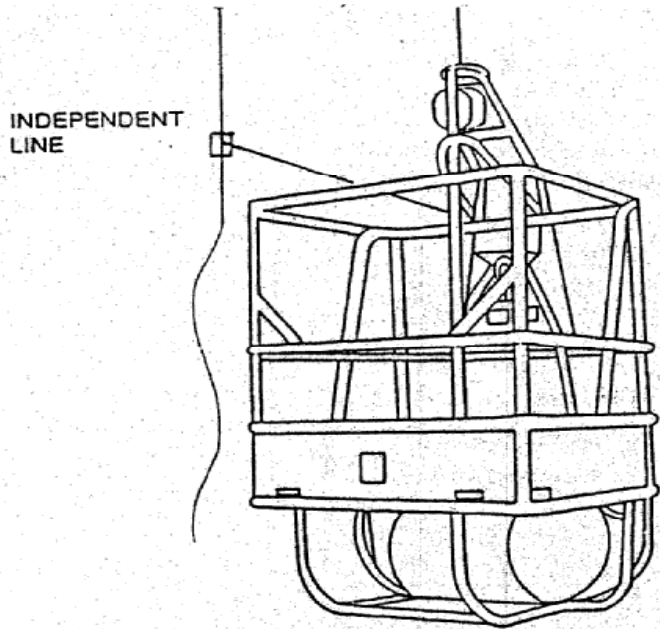


**Single-Point Suspension Scaffold  
with Powered Traction Hoist**

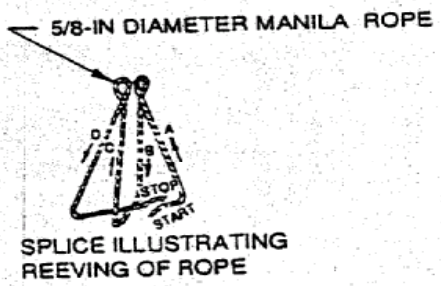
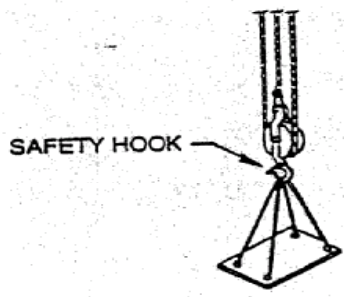


**FIGURE L-1 (CONTINUED)**

**SCAFFOLDS**



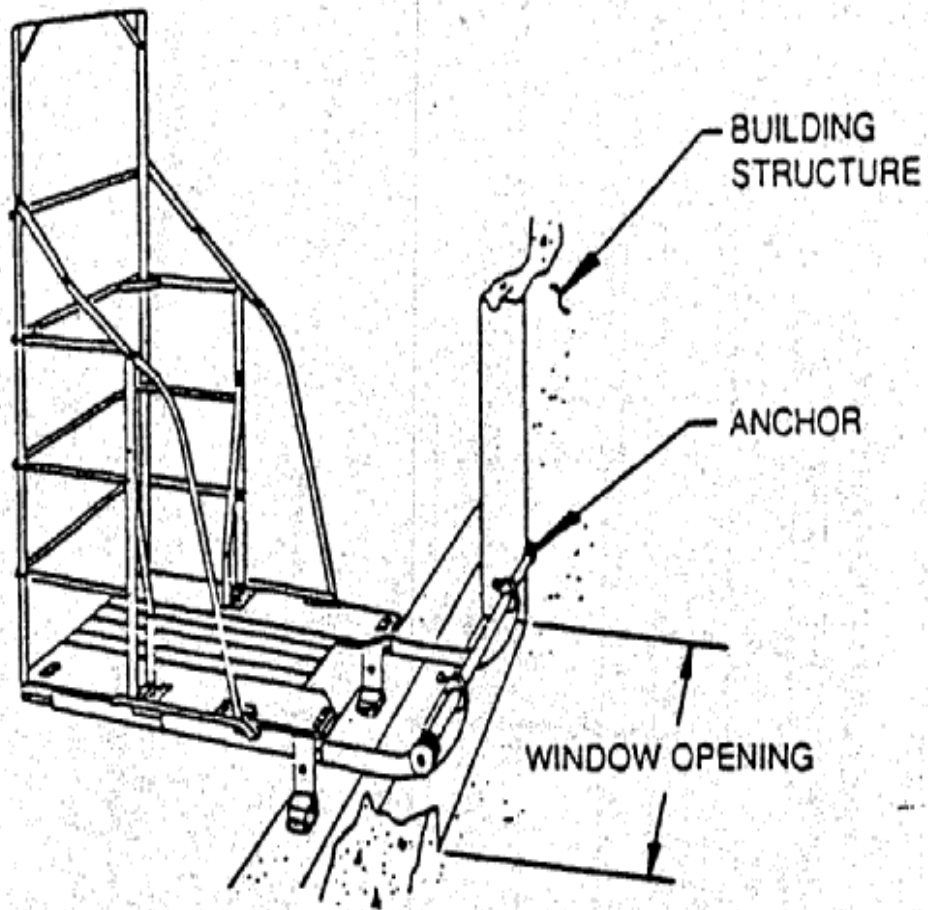
**Single-Point Suspension Scaffold  
with Winding Drum Hoist**



**Boatswains' Chair (Manual)**

FIGURE L-1 (CONTINUED)

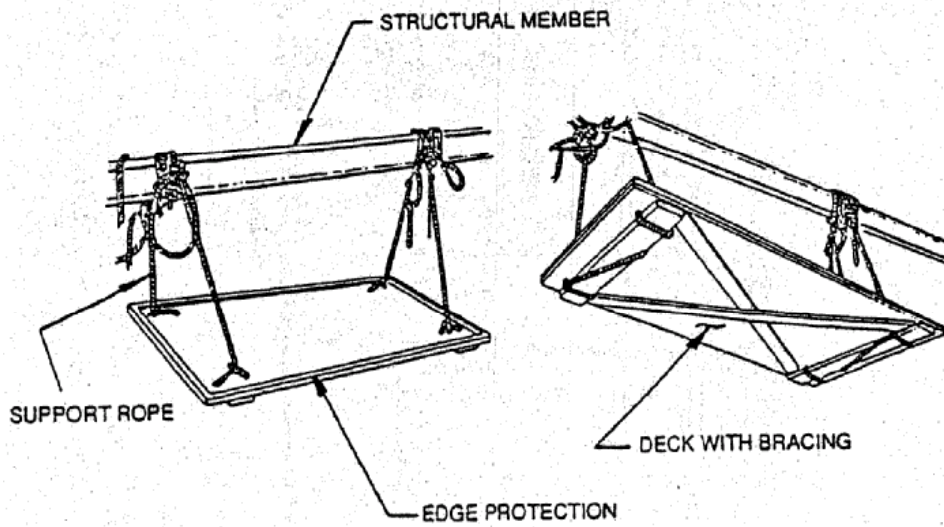
SCAFFOLDS



Window Jack Scaffold

FIGURE L-1 (CONTINUED)

SCAFFOLDS



Float Scaffold

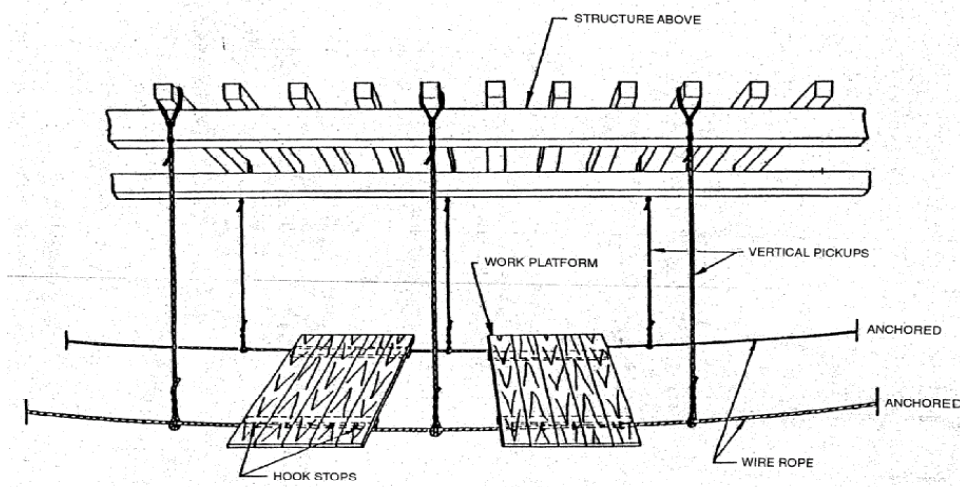
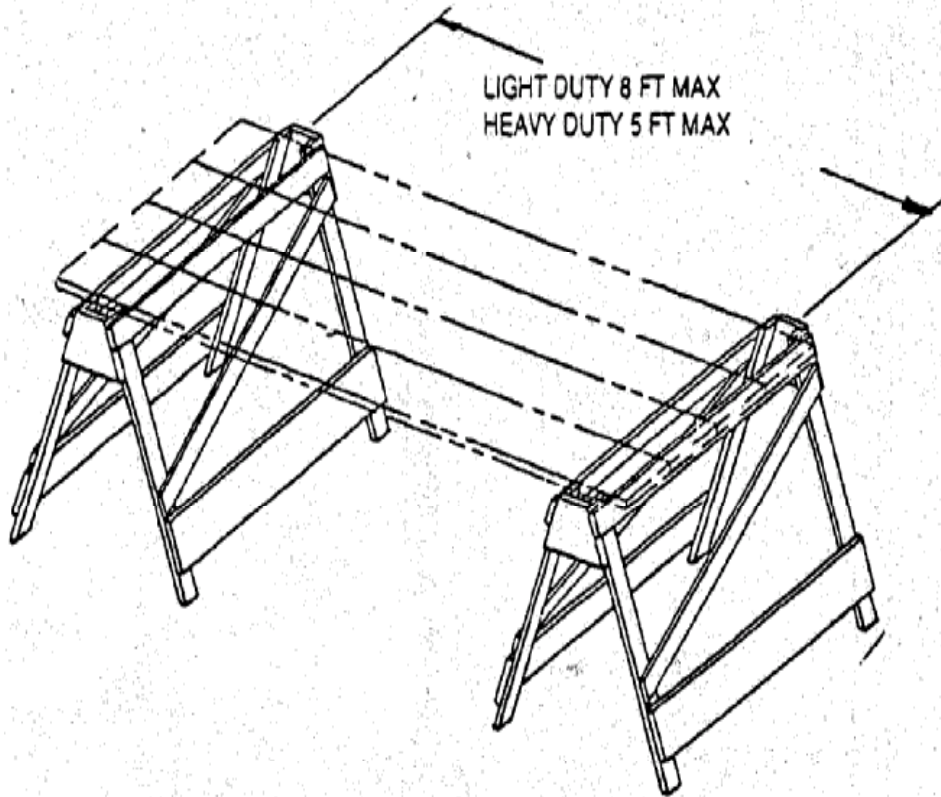


Figure. Catenary Scaffold

**FIGURE L-1 (CONTINUED)**

**SCAFFOLDS**

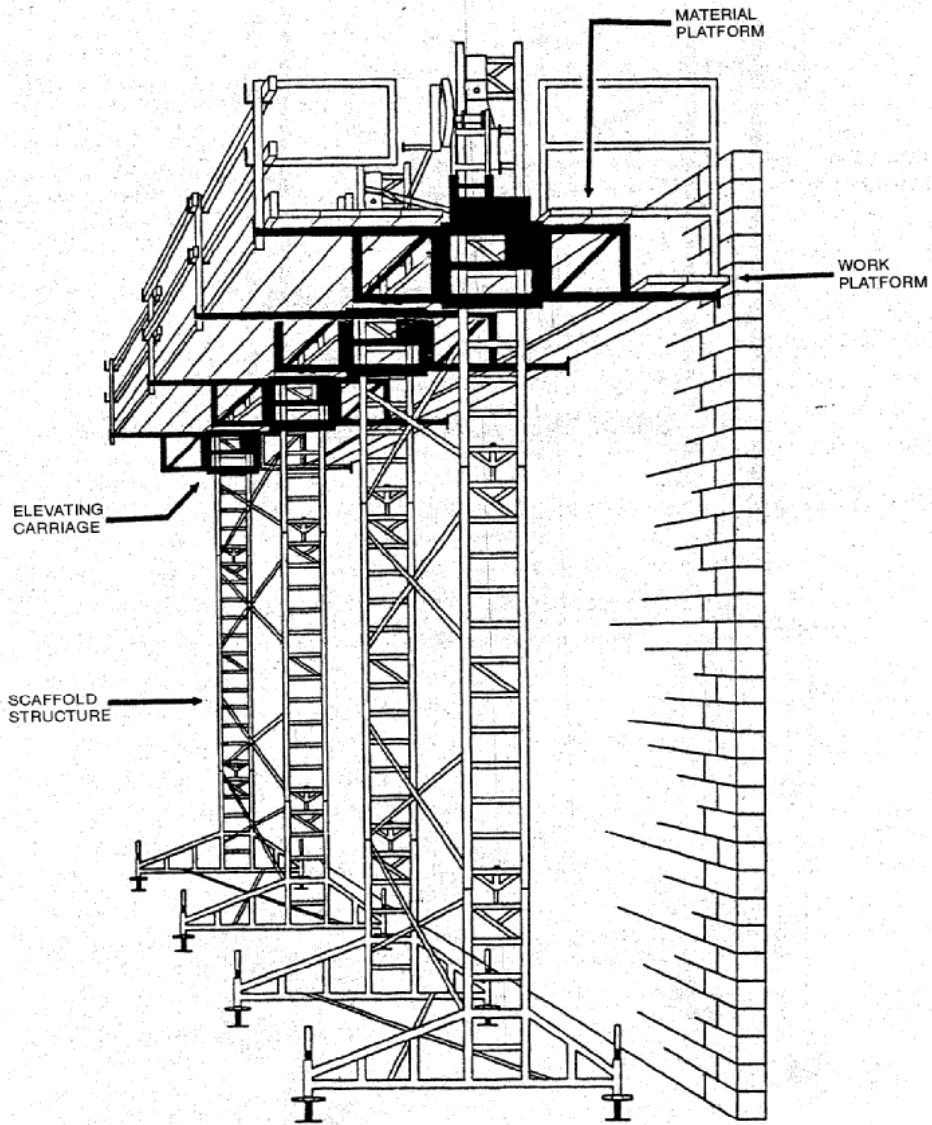


**Horse Scaffold**

EM 385-1-1  
3 Nov 03

**FIGURE L-1 (CONTINUED)**

**SCAFFOLDS**

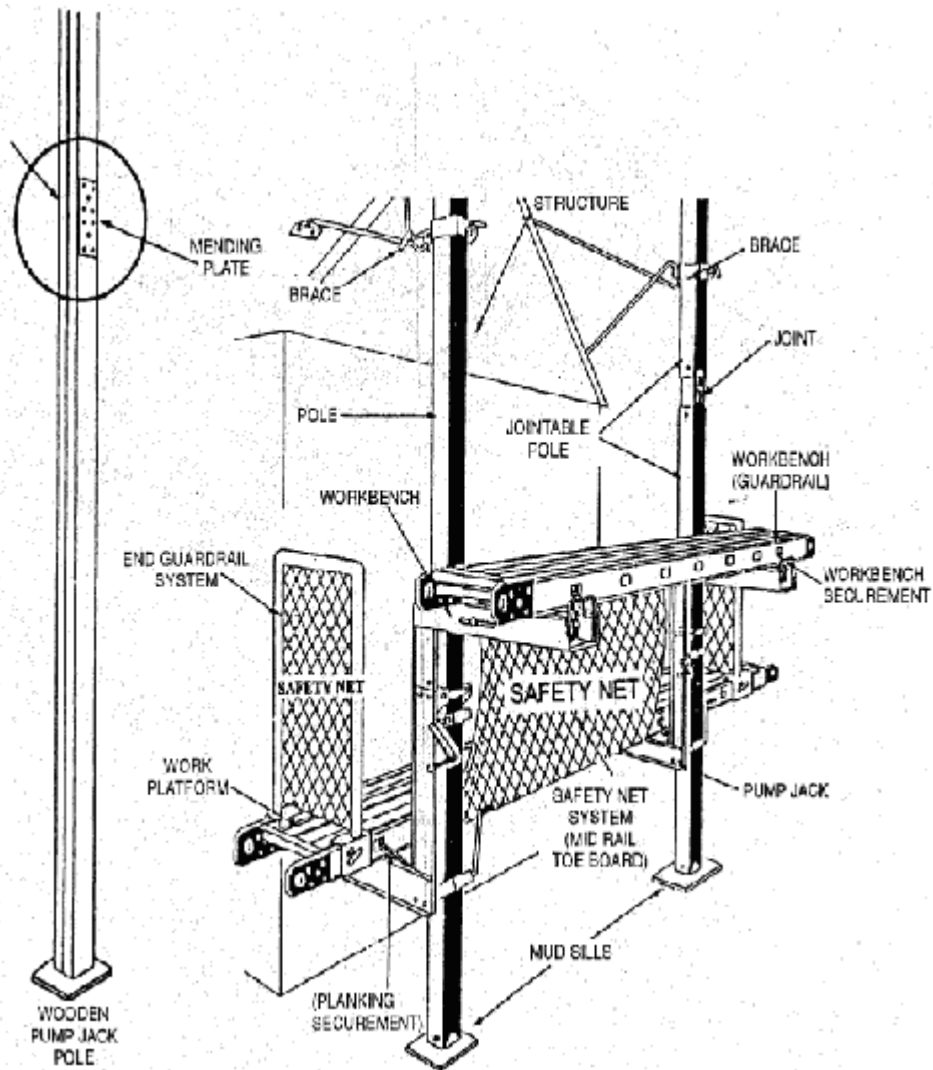


**Adjustable Scaffold**



FIGURE L-1 (CONTINUED)

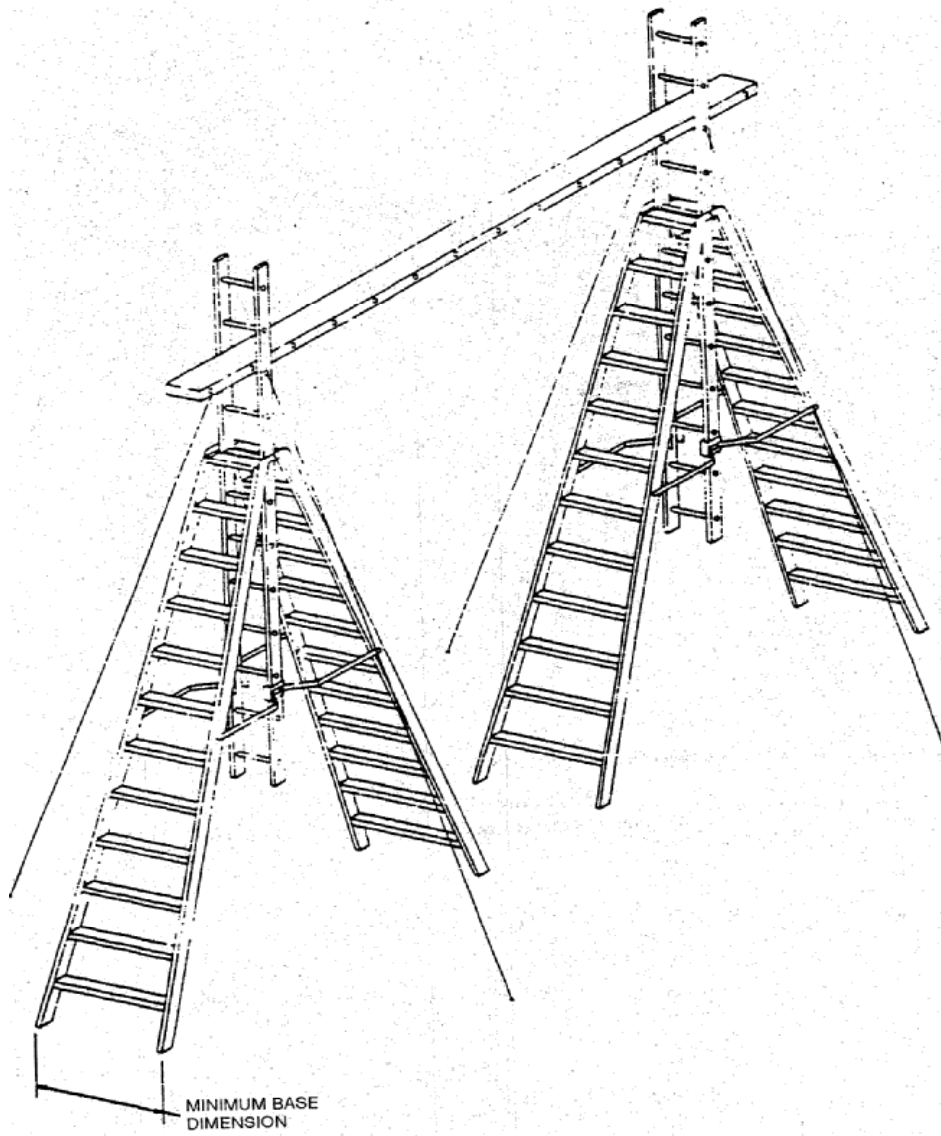
SCAFFOLDS



EM 385-1-1  
3 Nov 03

**FIGURE L-1 (CONTINUED)**

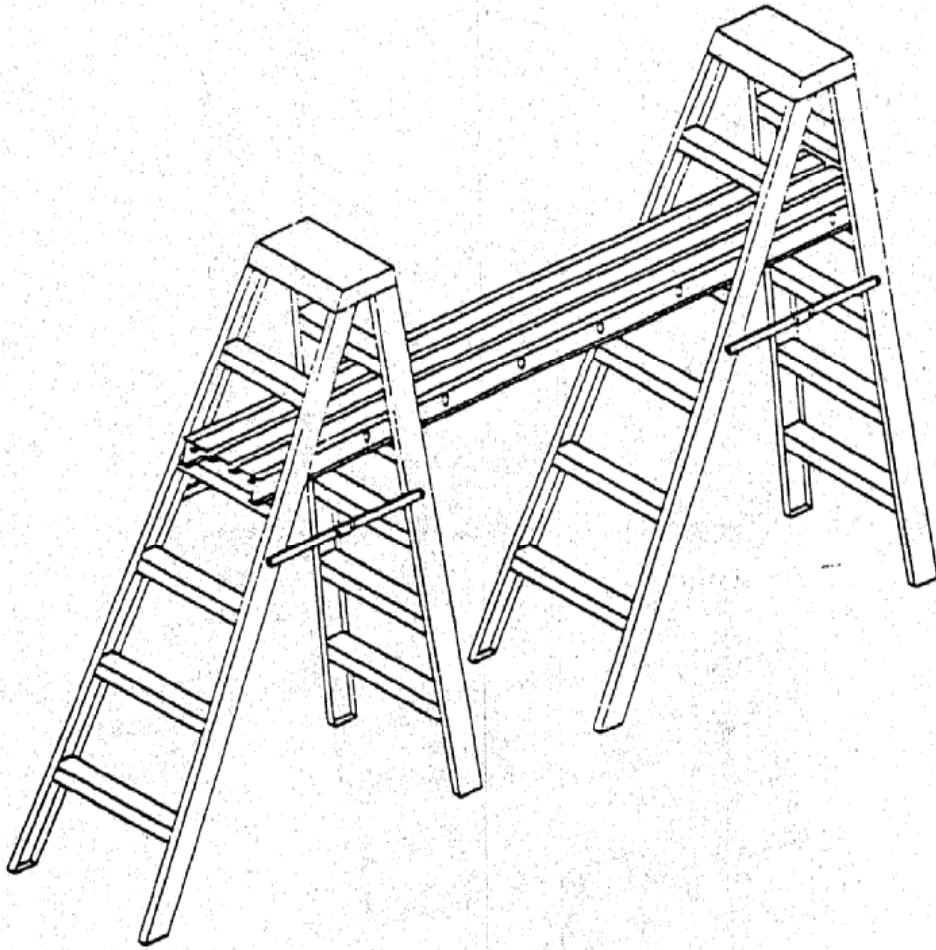
**SCAFFOLDS**



**Extension Trestle Ladder Scaffold**

**FIGURE L-1 (CONTINUED)**

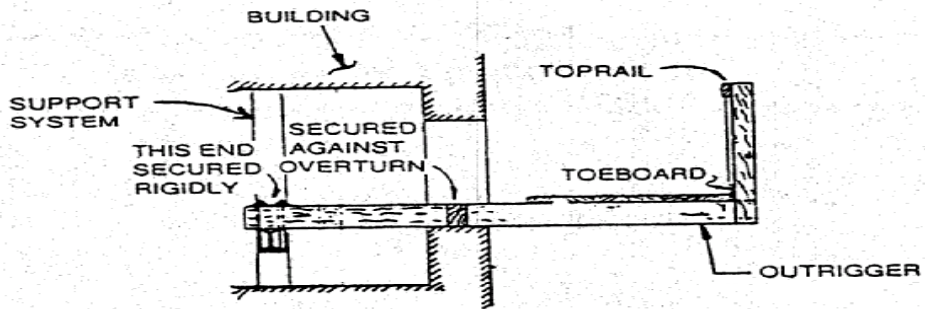
**SCAFFOLDS**



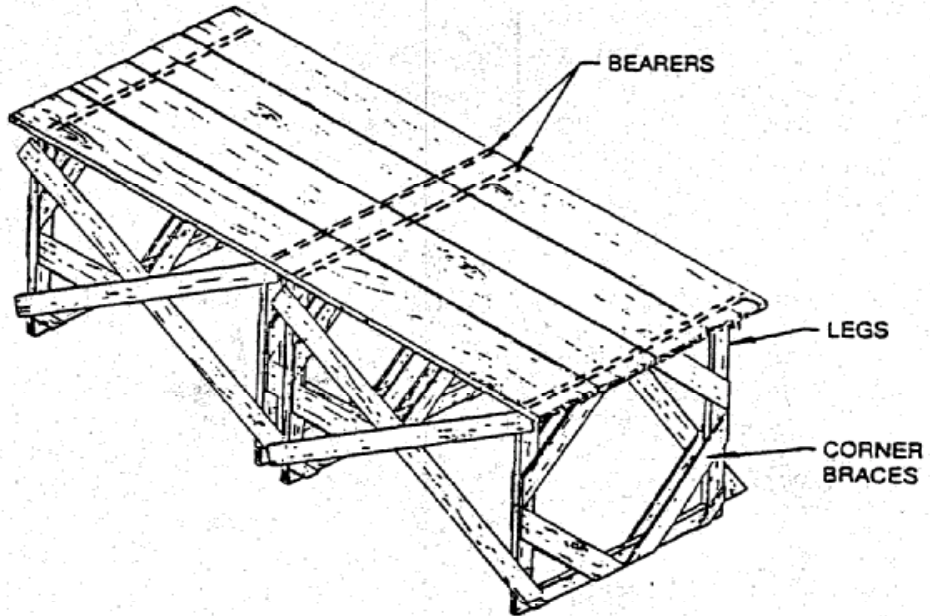
**Free-Standing Ladder Scaffold**

**FIGURE L-1 (CONTINUED)**

**SCAFFOLDS**



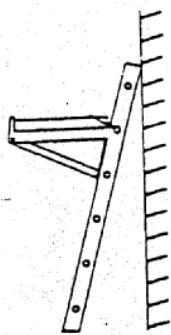
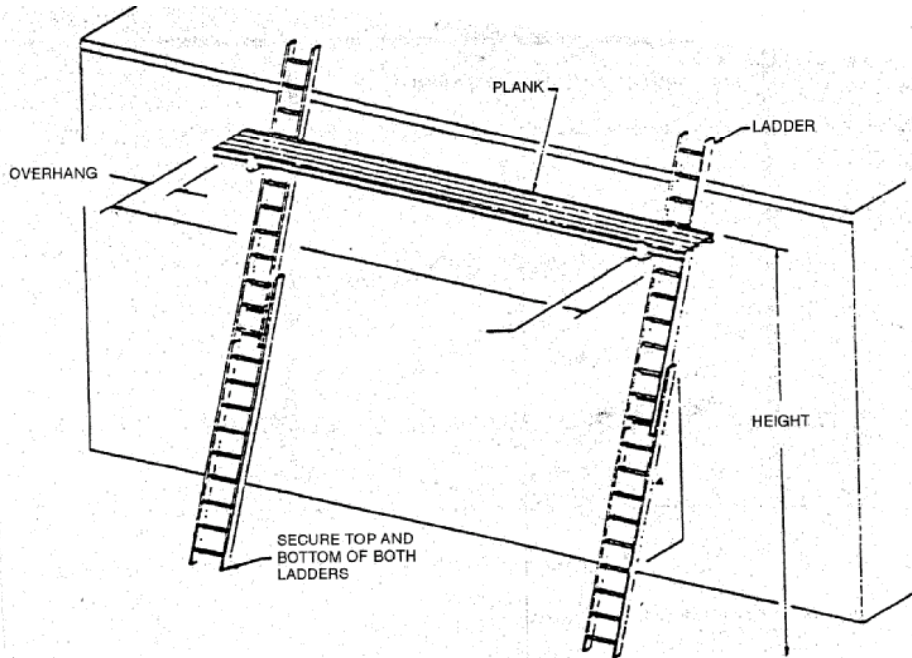
**Outrigger Scaffold**



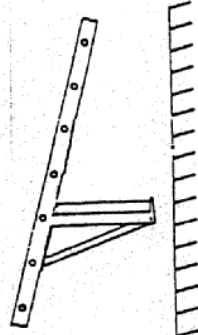
**Bricklayers' Square Scaffold**

FIGURE L-1 (CONTINUED)

SCAFFOLDS



JACK INSTALLED ON SIDE OF LADDER AWAY FROM SURFACE



JACK INSTALLED ON SIDE OF LADDER TOWARD SURFACE

Ladder Jack Scaffold

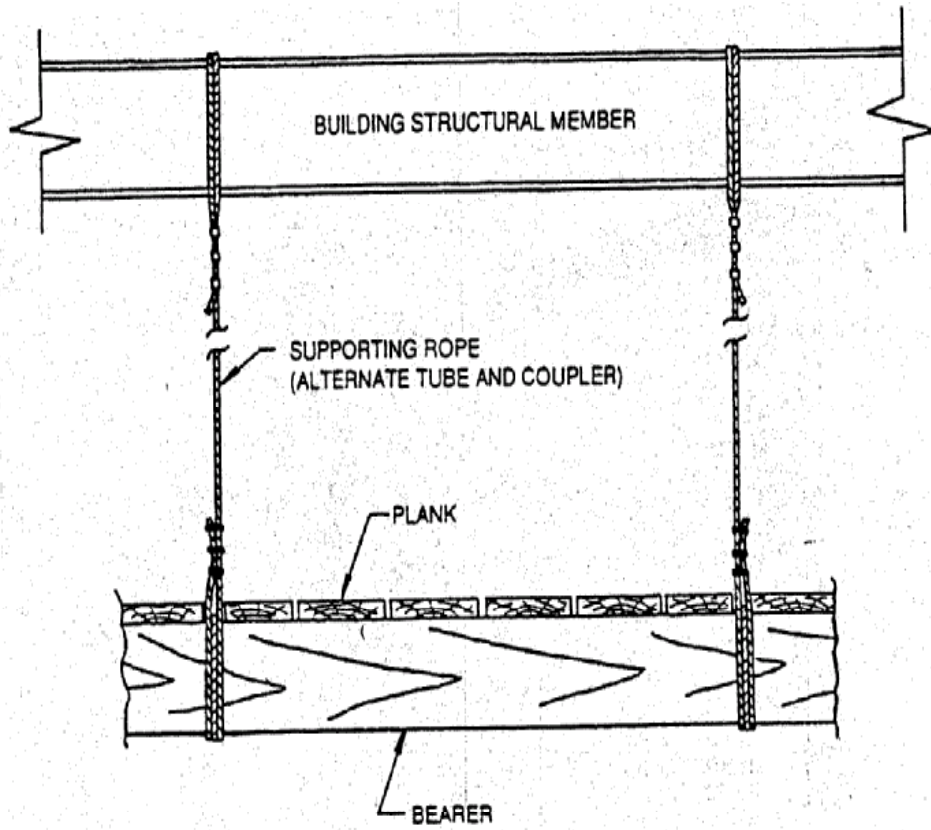
**PROHIBITED**



EM 385-1-1  
3 Nov 03

**FIGURE L-1 (CONTINUED)**

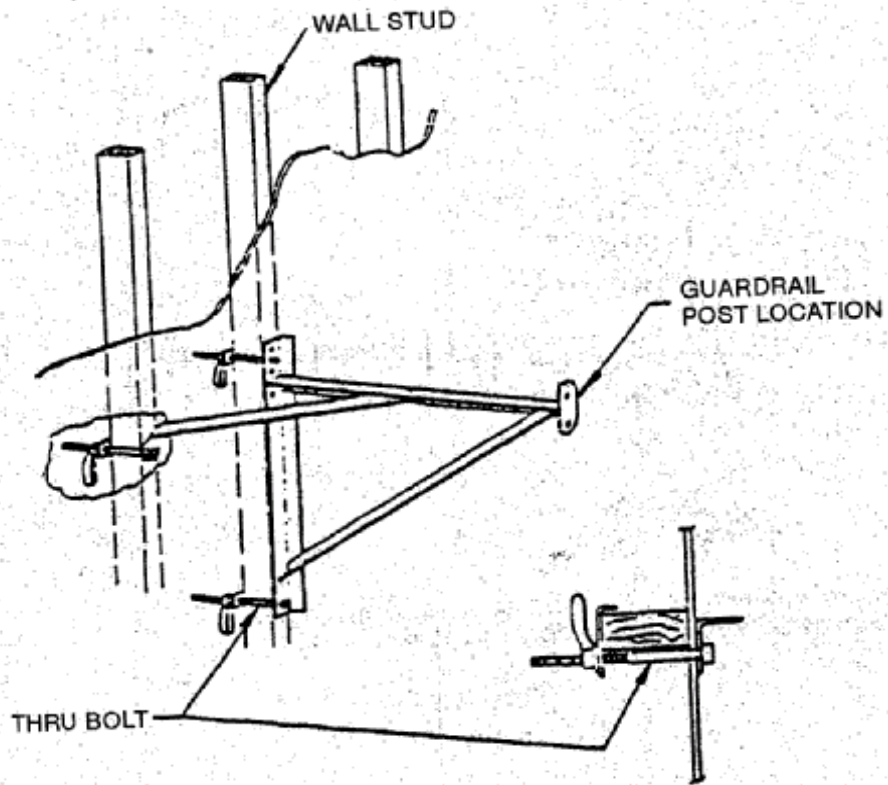
**SCAFFOLDS**



**Interior Hung Scaffold**

**FIGURE L-1 (CONTINUED)**

**SCAFFOLDS**

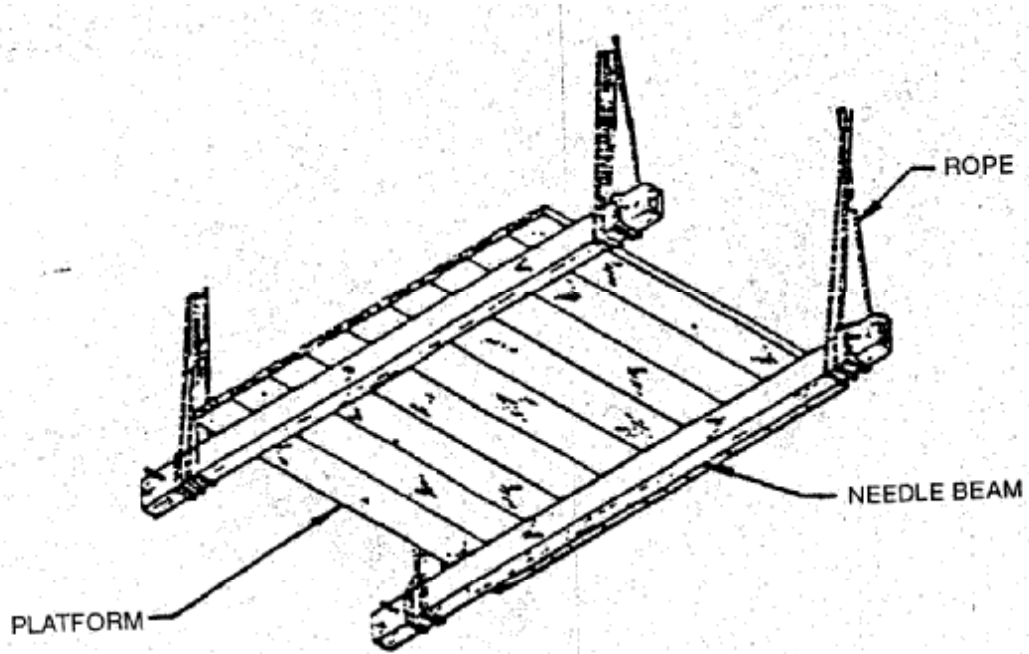


**Metal Carpenter Bracket**

EM 385-1-1  
3 Nov 03

**FIGURE L-1 (CONTINUED)**

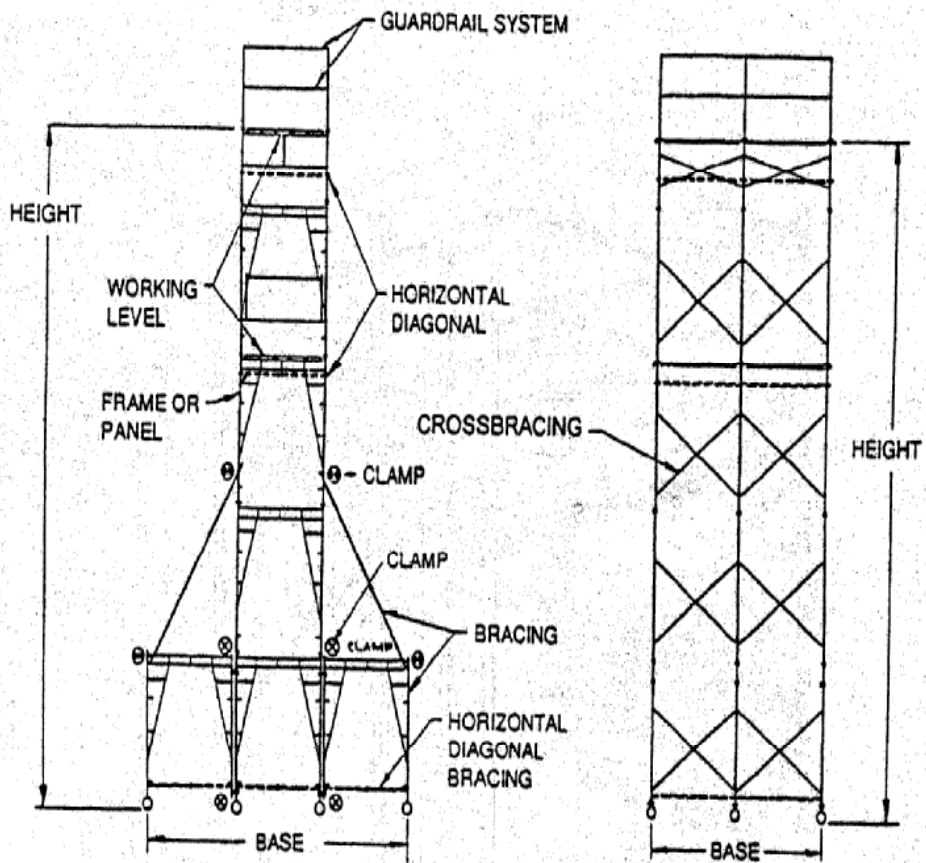
**SCAFFOLDS**



**Needle Beam Scaffold**

FIGURE L-1 (CONTINUED)

SCAFFOLDS

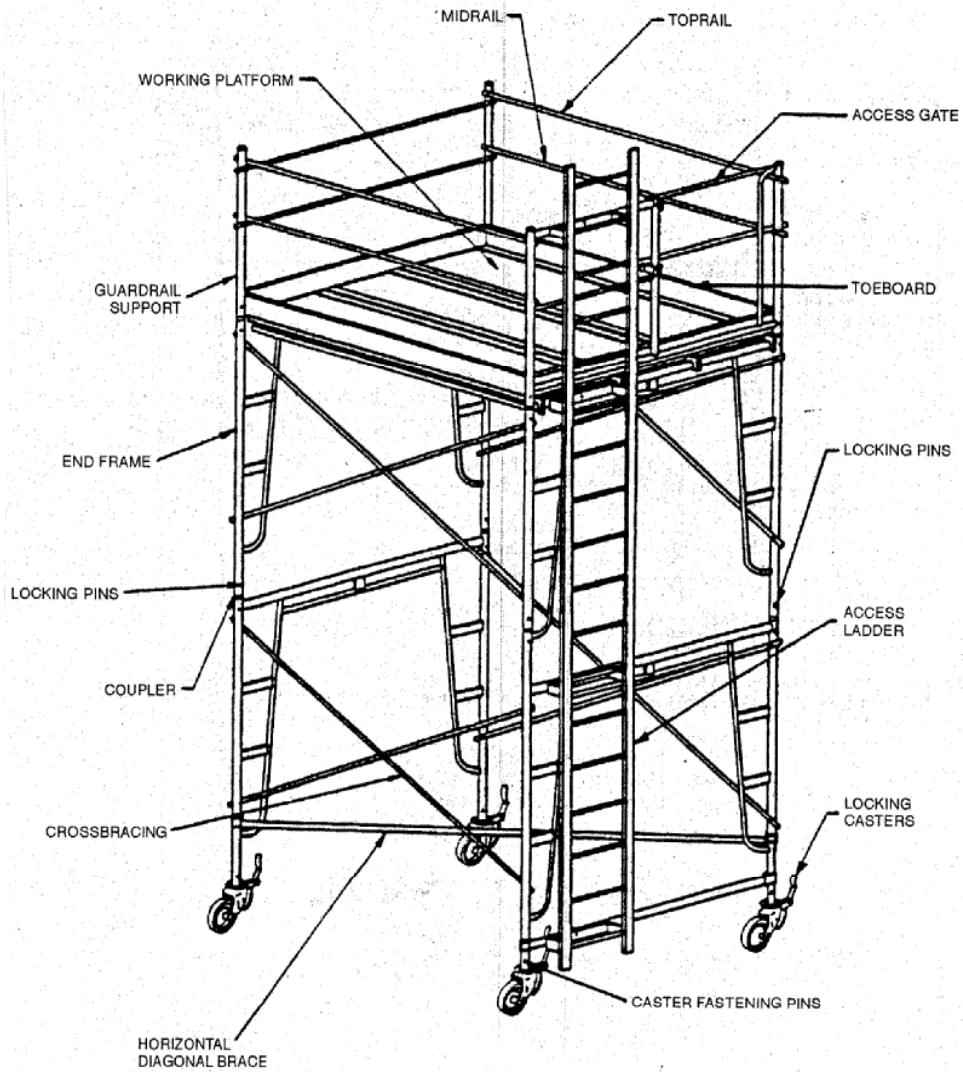


Manually Propelled Mobile Scaffold (2)  
(Fabricated Tubular Frame)

EM 385-1-1  
3 Nov 03

### FIGURE L-1 (CONTINUED)

### SCAFFOLDS

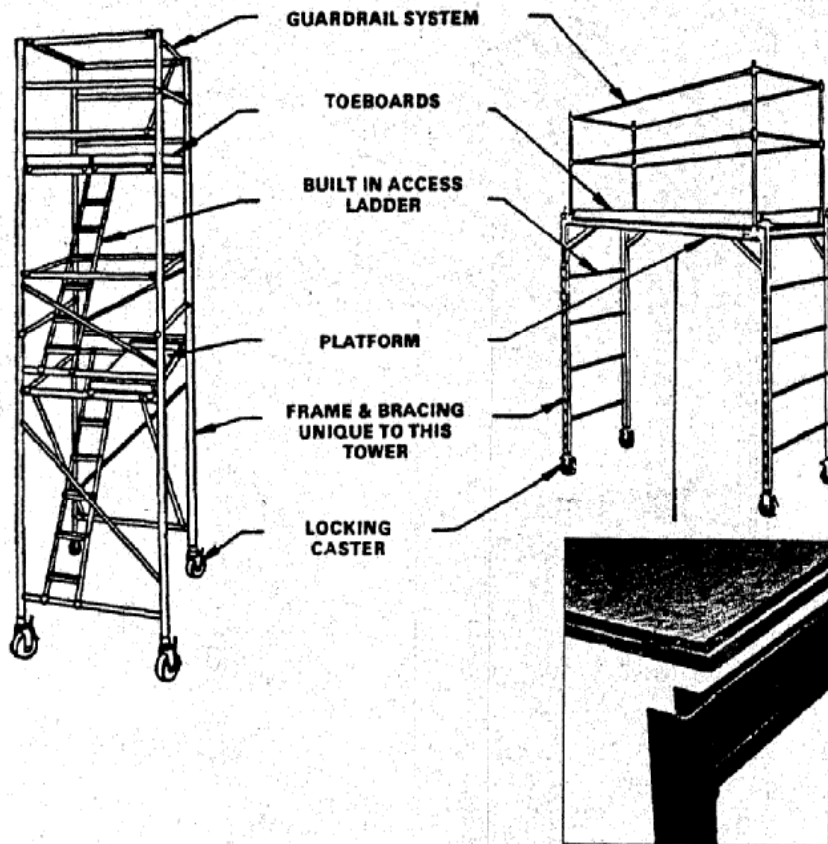


Manually Propelled Mobile Scaffold  
(Fabricated Tubular Frame)



FIGURE L-1 (CONTINUED)

SCAFFOLDS



Truss and Platform

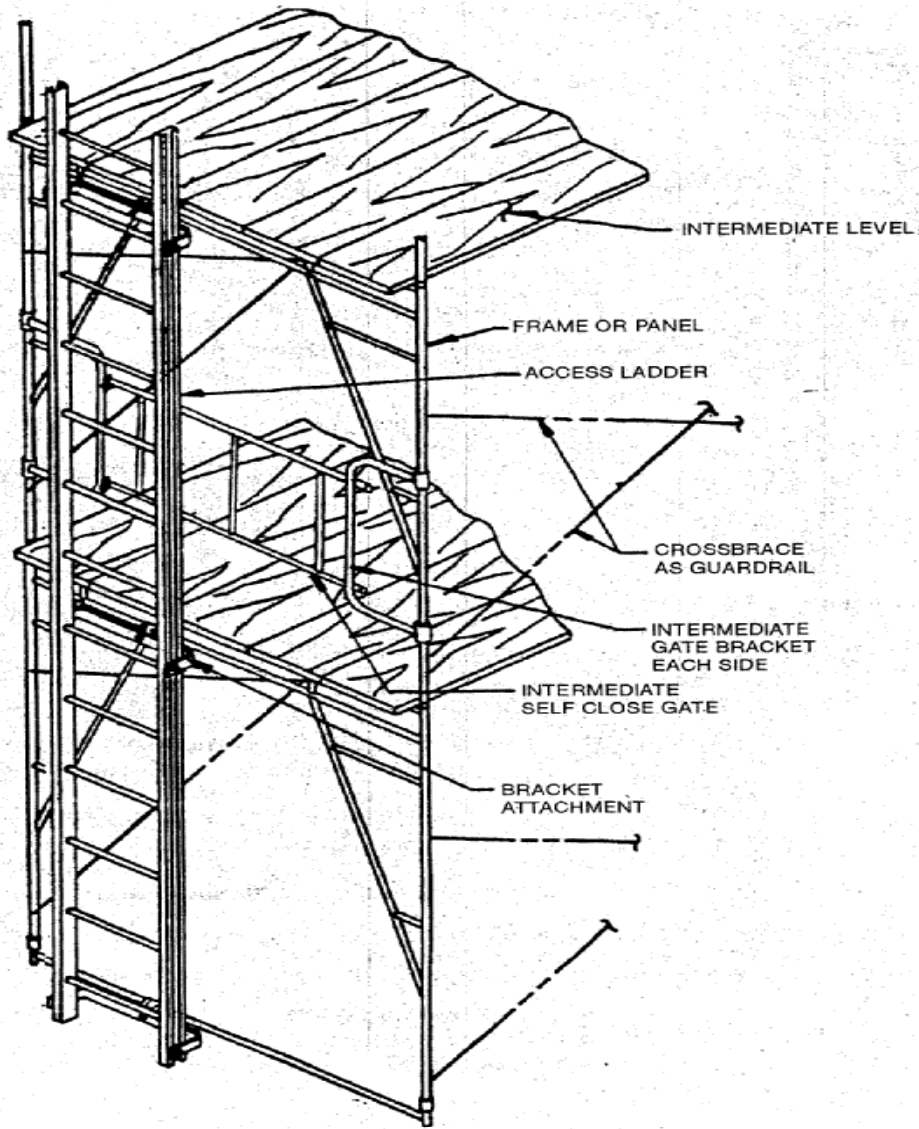
The platform is supported by the truss/support member. The truss is attached to the end frame/access ladder. The platform is secured in position through placement of the platform upon the inner ledge and within the side and end rails of the truss/support member.

Manually Propelled and  
Prefabricated Mobile Scaffolds

EM 385-1-1  
3 Nov 03

### FIGURE L-1 (CONTINUED)

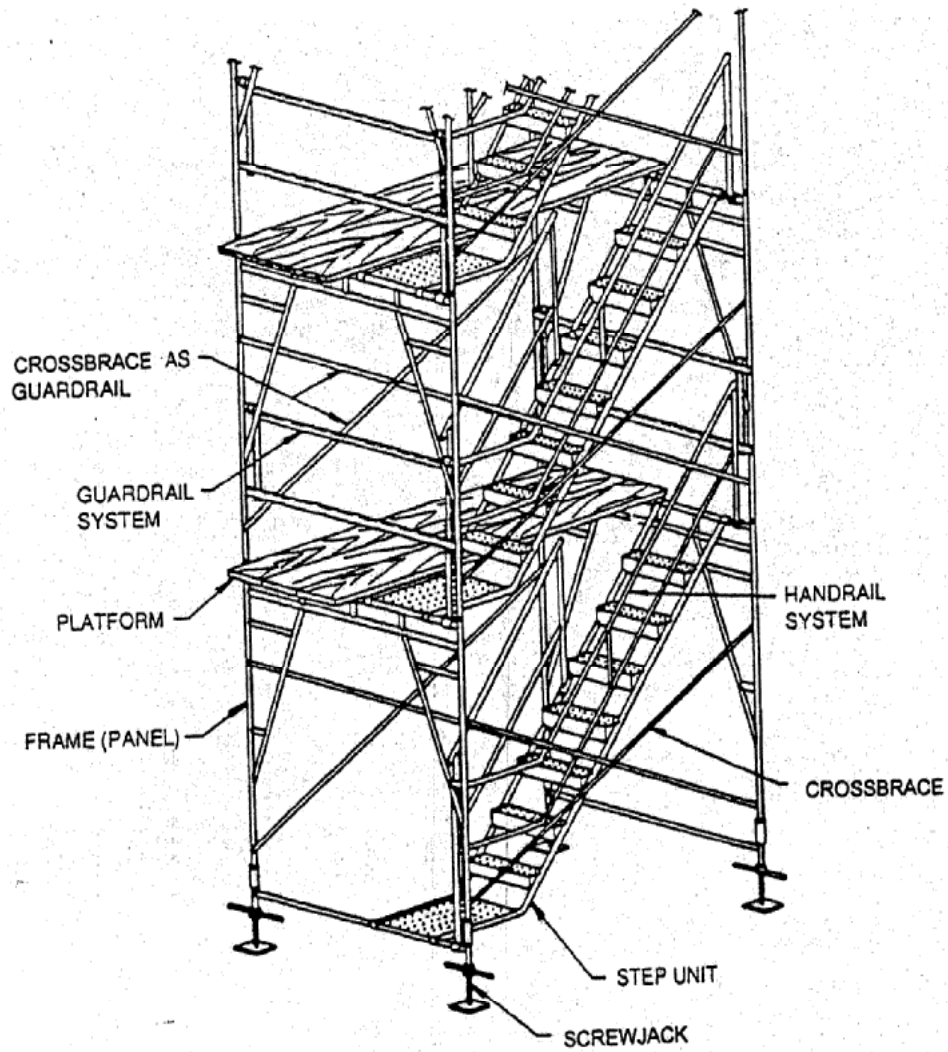
### SCAFFOLDS



Frame Scaffold Access (2)

FIGURE L-1 (CONTINUED)

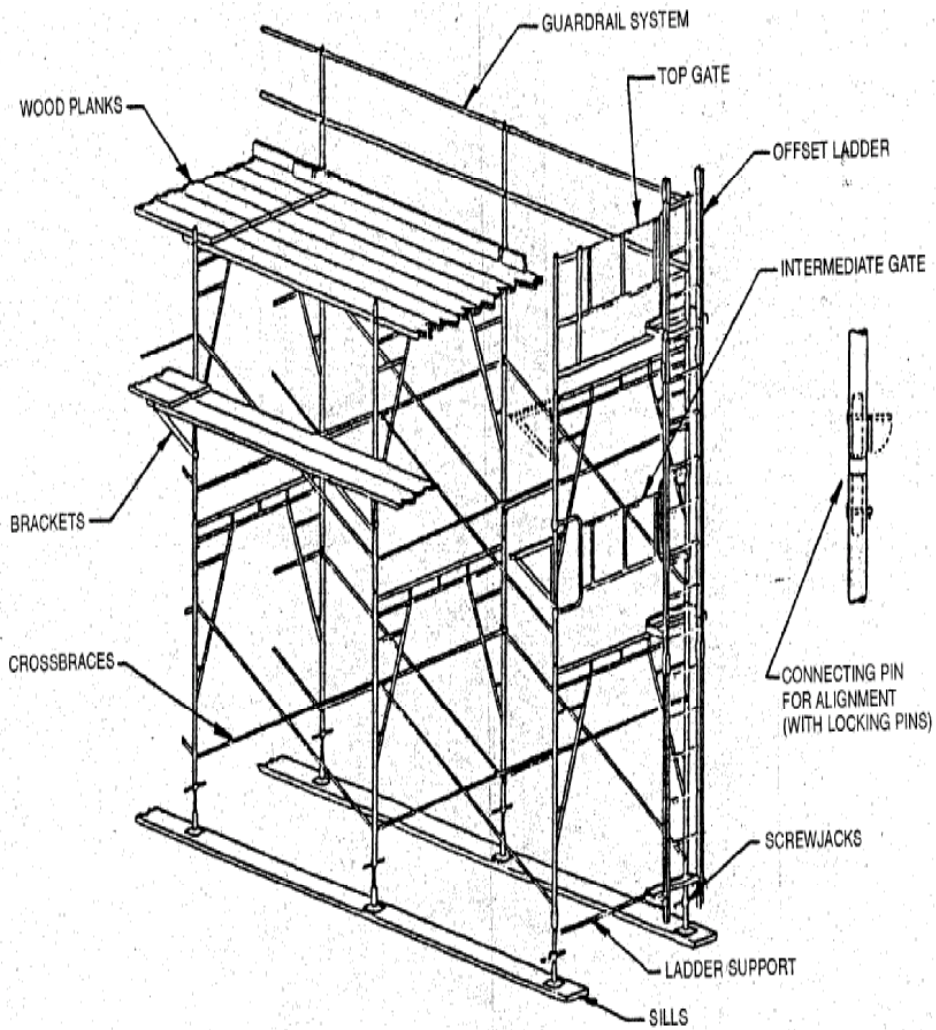
SCAFFOLDS



Frame Scaffold Access

**FIGURE L-1 (CONTINUED)**

**SCAFFOLDS**

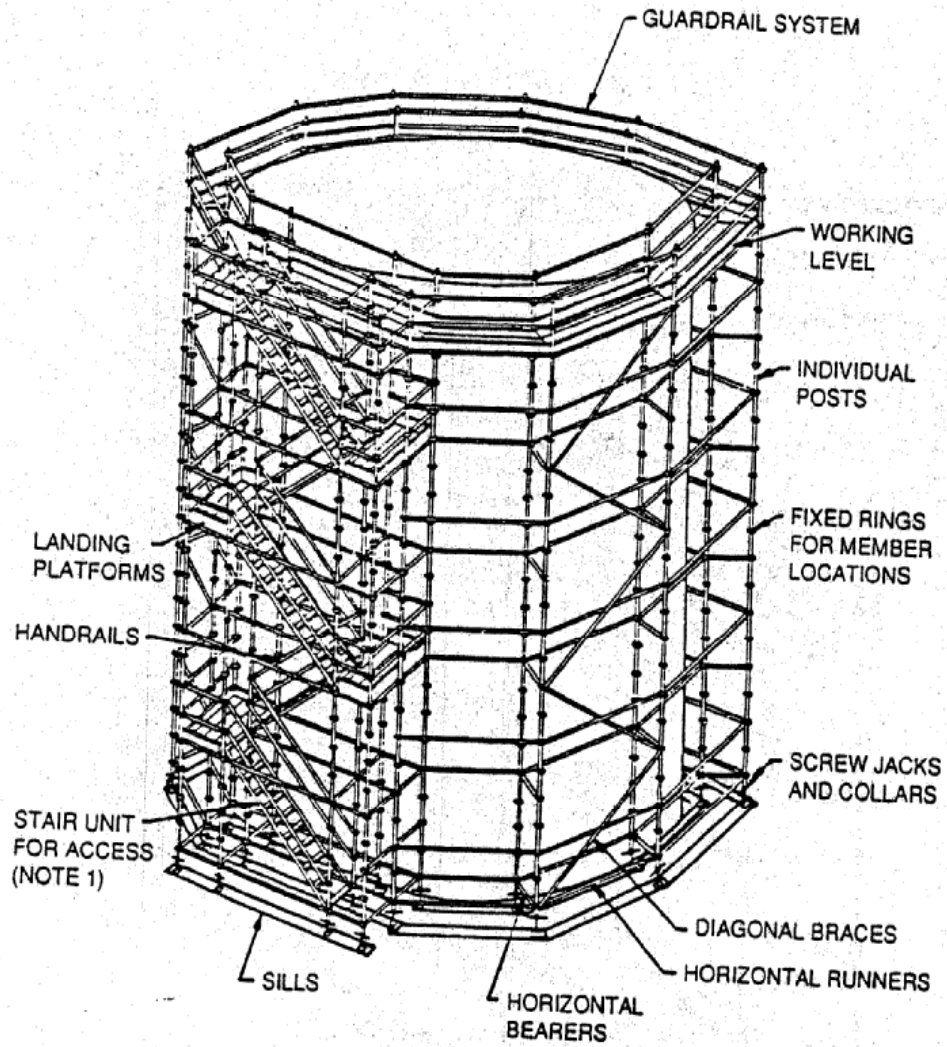


Fabricated Tubular Frame Scaffold



FIGURE L-1 (CONTINUED)

SCAFFOLDS

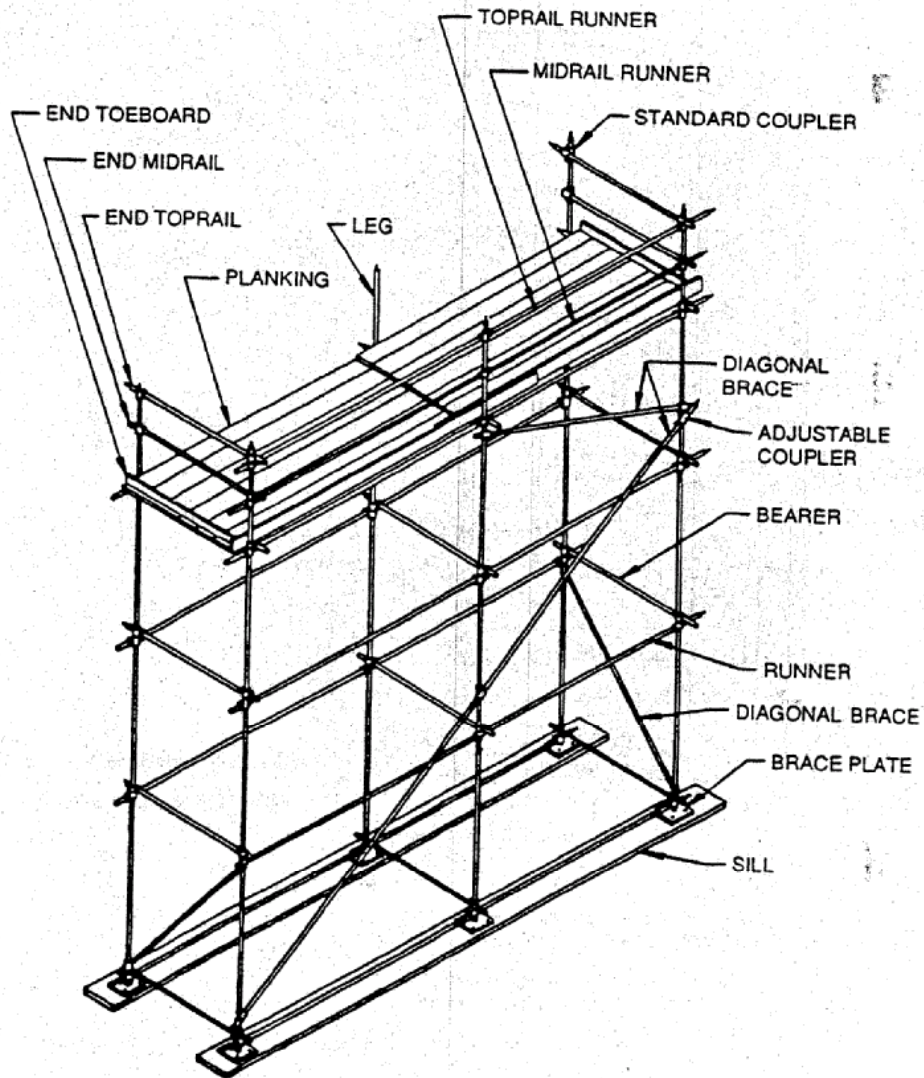


System Scaffold



**FIGURE L-1 (CONTINUED)**

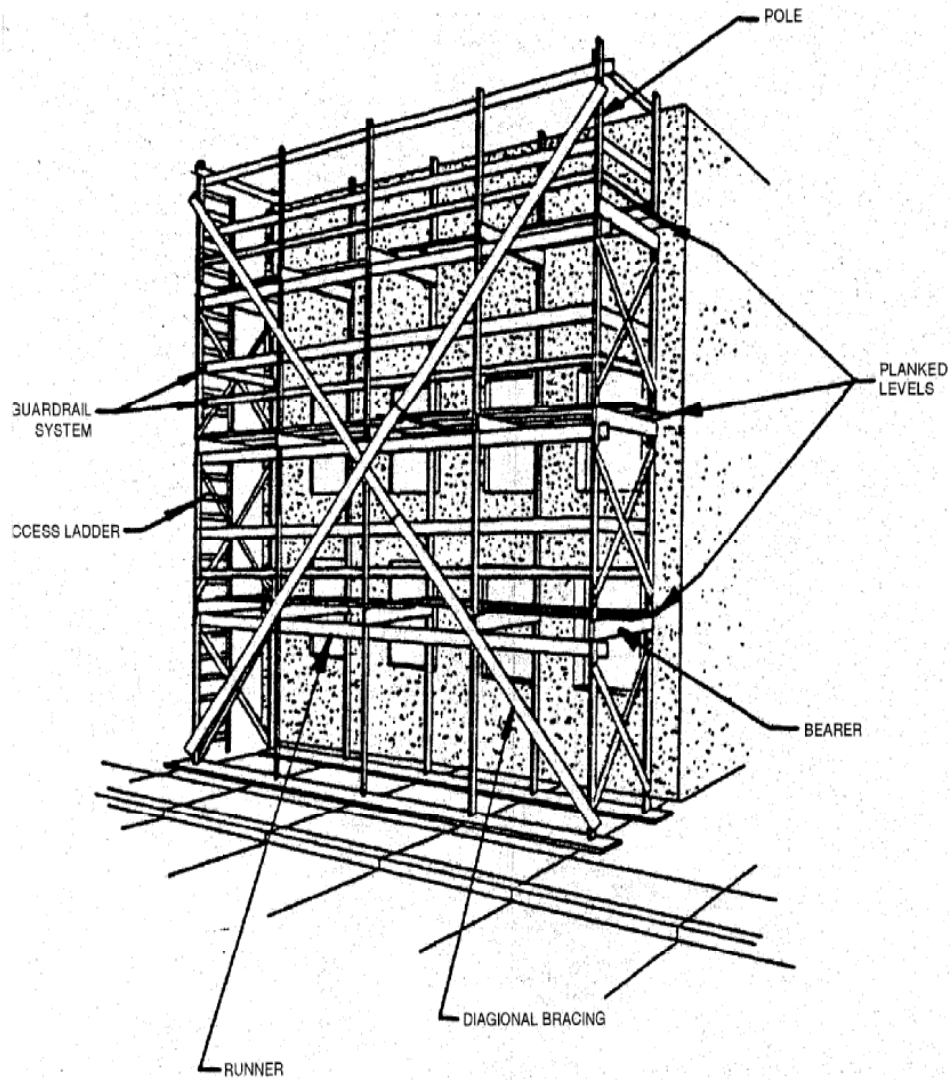
**SCAFFOLDS**



**Tube and Coupler Scaffold**

FIGURE L-1 (CONTINUED)

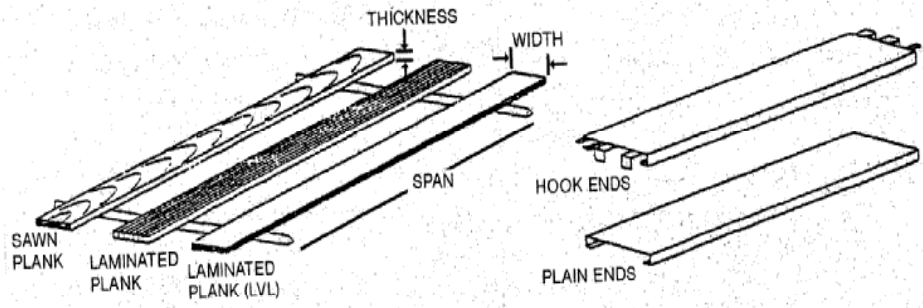
SCAFFOLDS



Wood Pole Scaffold

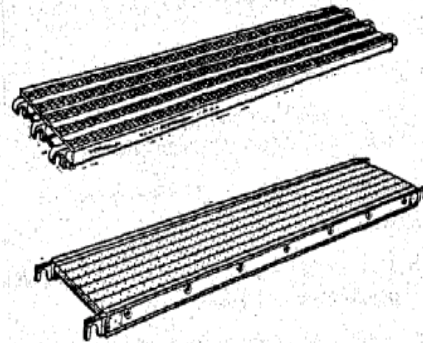
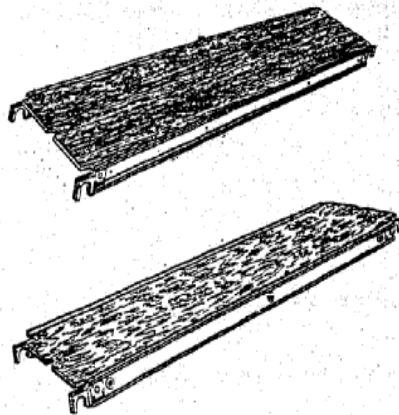
**FIGURE L-1 (CONTINUED)**

**SCAFFOLDS**



**Wood Planks**

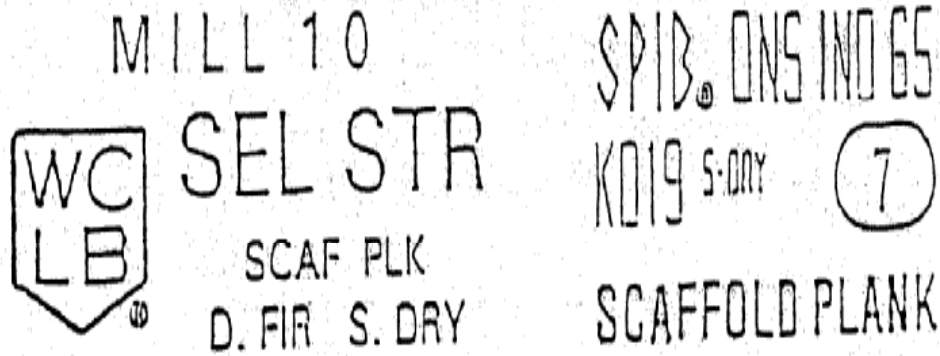
**Metal Planks**



Scaffold Deck

FIGURE L-1 (CONTINUED)

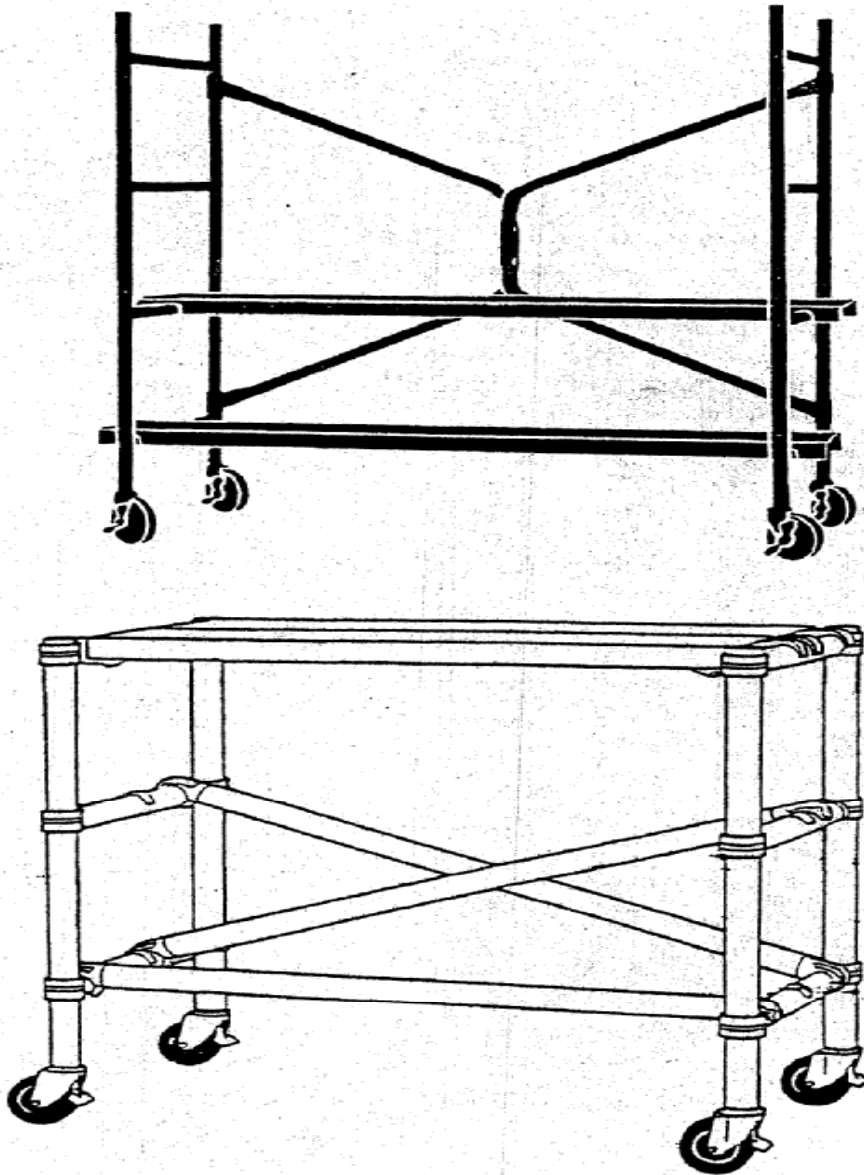
SCAFFOLDS



Examples of Grade Stamps

EM 385-1-1  
3 Nov 03

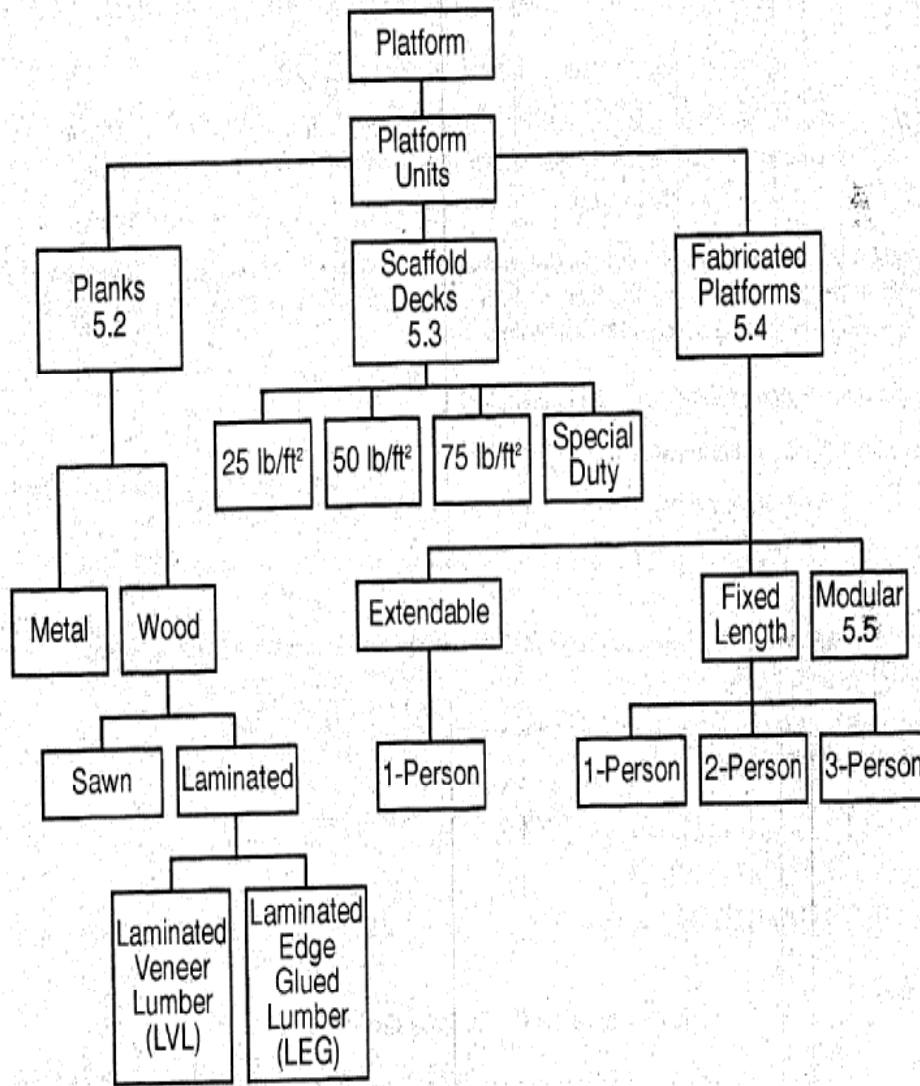
**FIGURE L-2**  
**WORK STANDS**



**Mobile Work Stands**



**FIGURE L-3**  
**PLATFORMS**

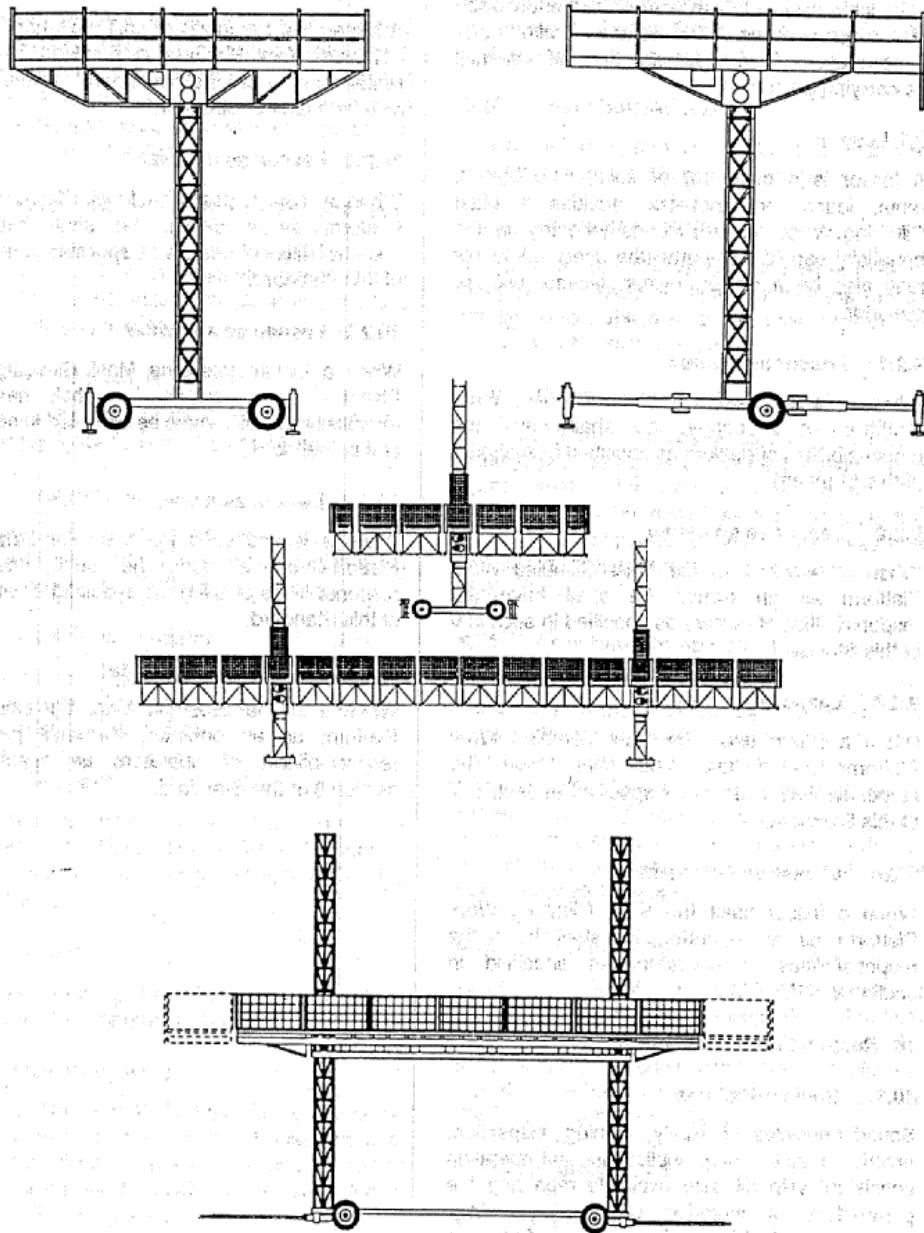


**Platform and Platform Unit Categorization Chart**

EM 385-1-1  
3 Nov 03

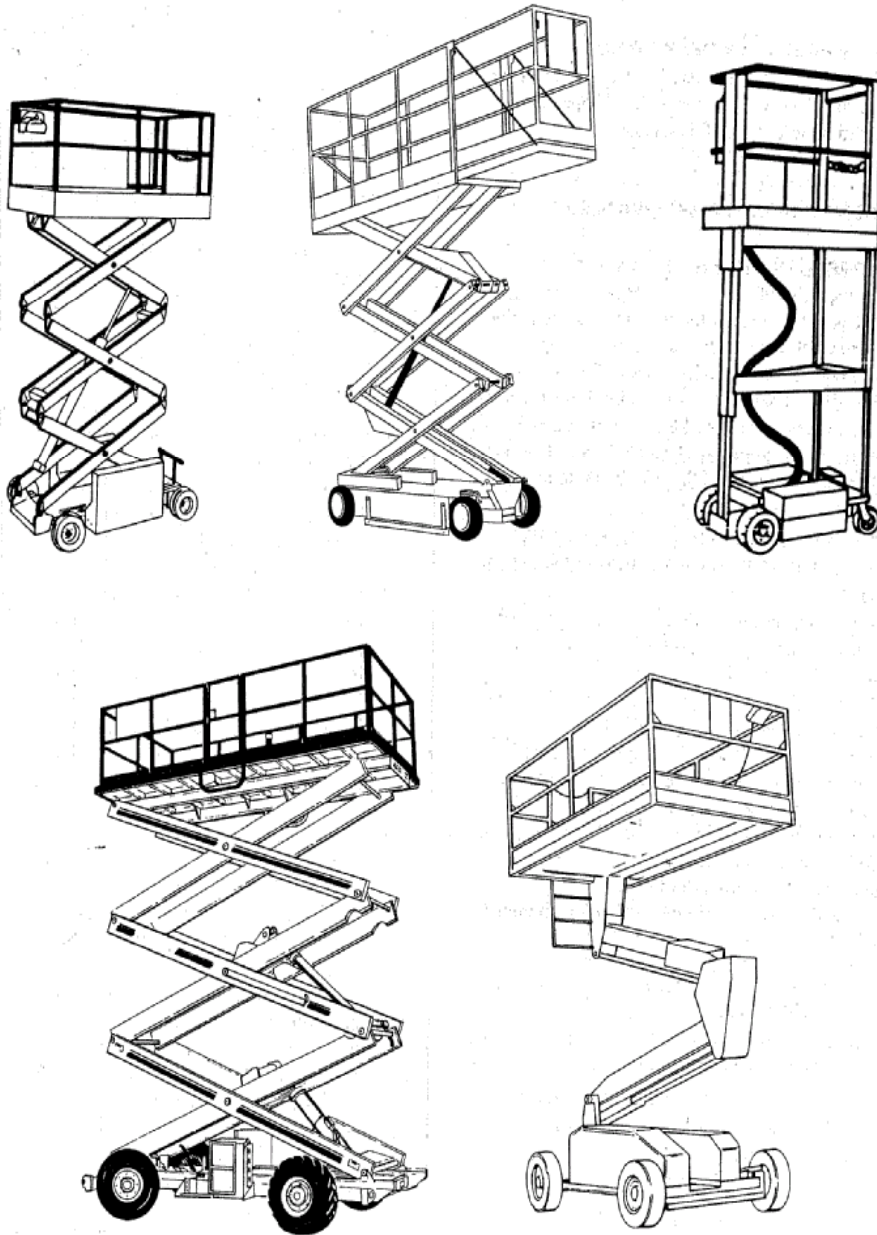
FIGURE L-3 (CONTINUED)

PLATFORMS



**FIGURE L-3 (CONTINUED)**

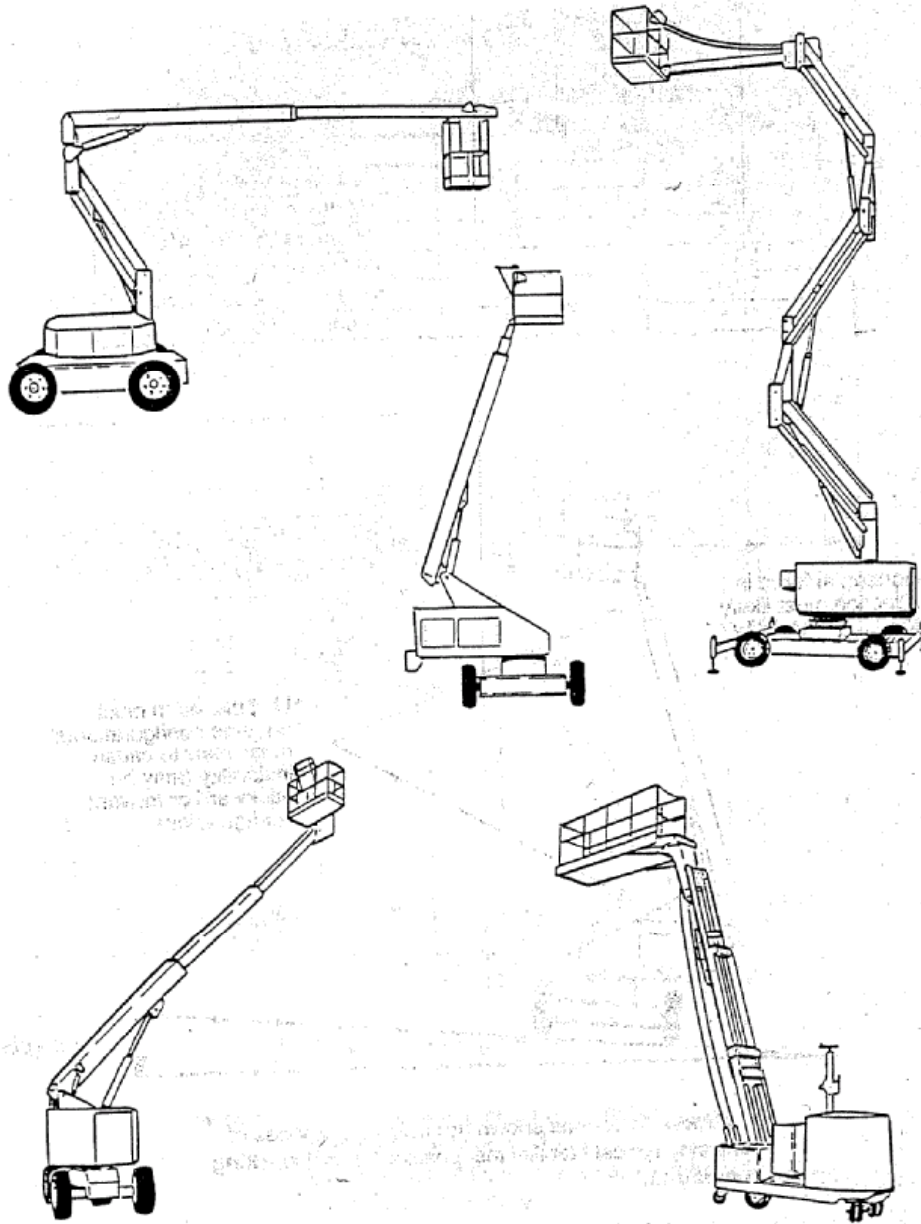
**PLATFORMS**



EM 385-1-1  
3 Nov 03

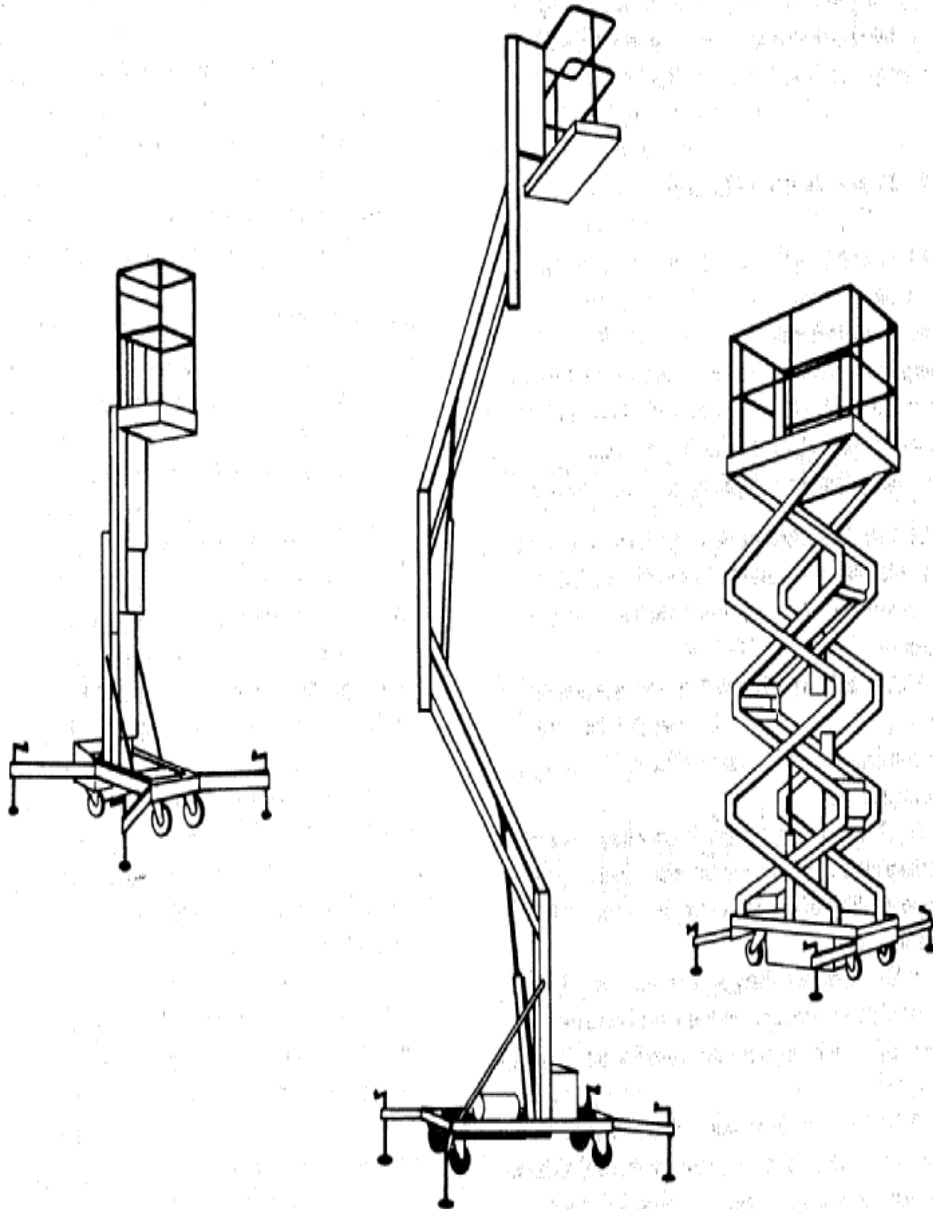
### FIGURE L-3 (CONTINUED)

### PLATFORMS



**FIGURE L-3 (CONTINUED)**

**PLATFORMS**

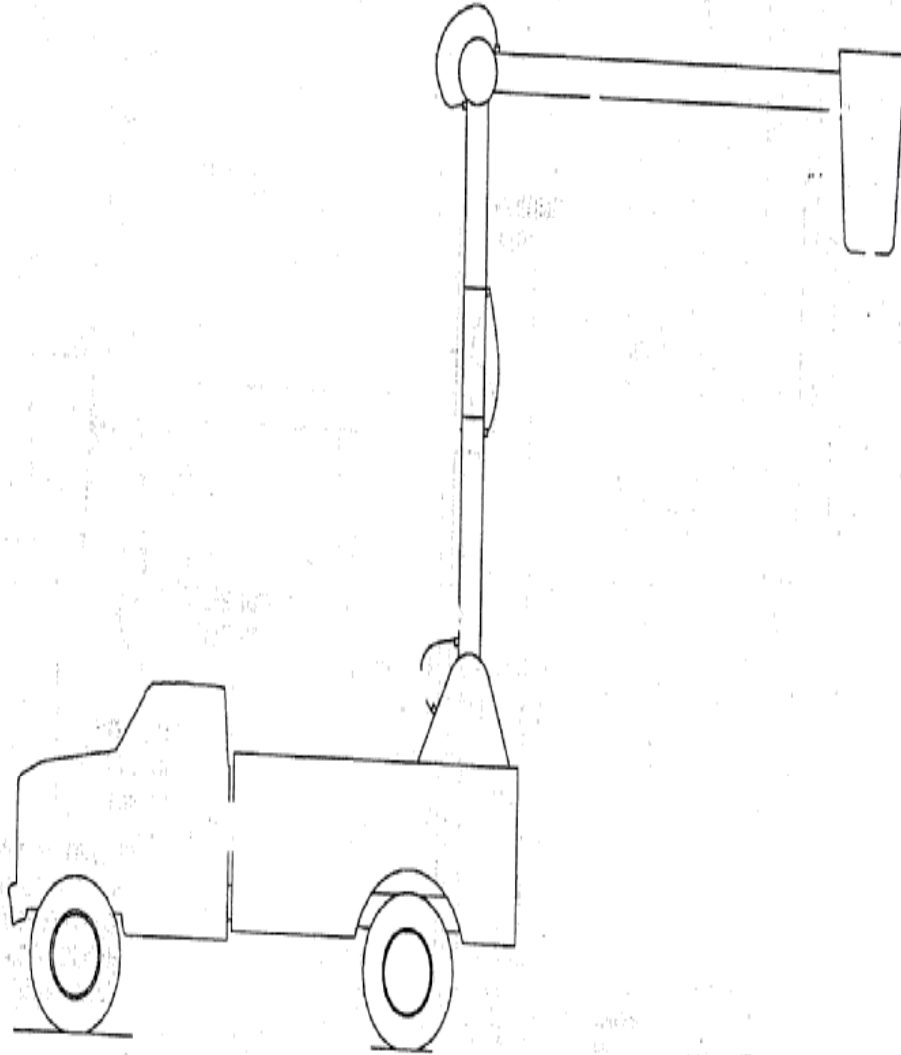




EM 385-1-1  
3 Nov 03

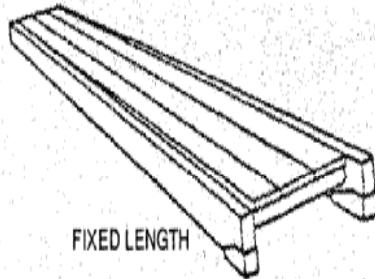
**FIGURE L-3 (CONTINUED)**

**PLATFORMS**



**FIGURE L-3 (CONTINUED)**

**PLATFORMS**



**Fabricated One-Person Platform**

