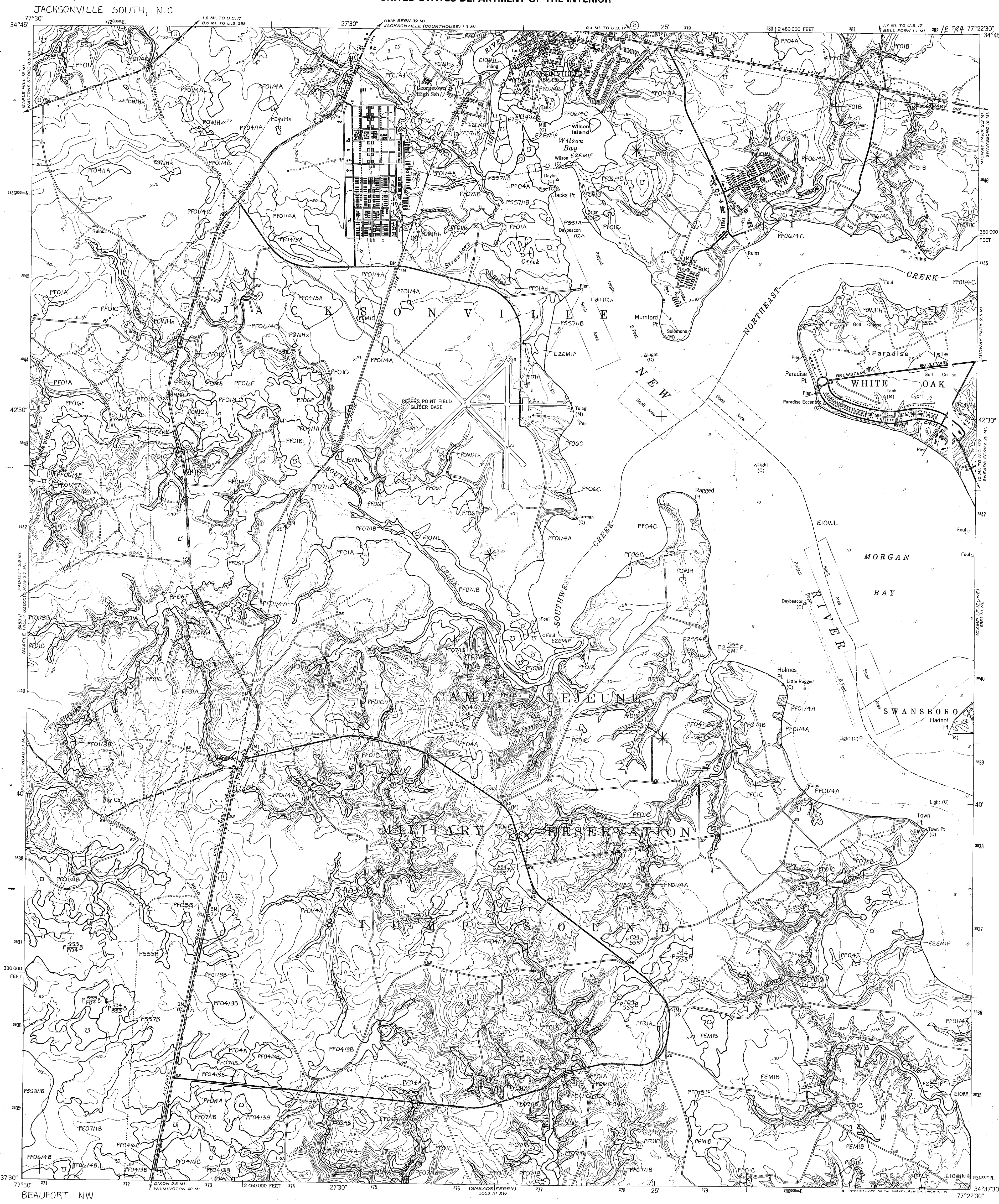
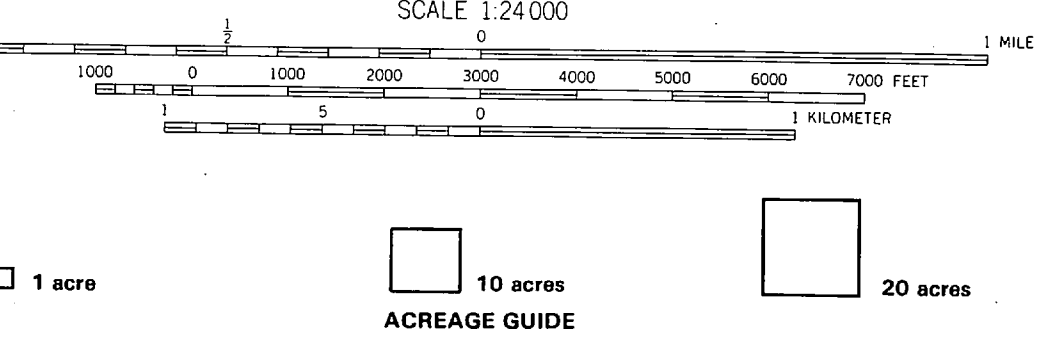


NATIONAL WETLANDS INVENTORY
UNITED STATES DEPARTMENT OF THE INTERIOR



JACKSONVILLE SOUTH, N. C. BEAUFORT NW NEW RIVER JACKSONVILLE SOUTH, N. C.



Other information including a narrative report concerning the wetland resources depicted on this document may be available. For information, contact:

TECHNICAL RESPONSIBILITY

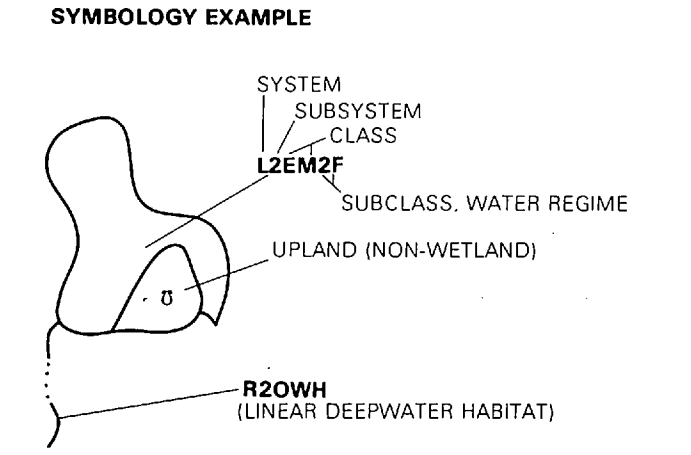
TASK	NAME	DATE
Transfer	D. BARCLAY	1-8-80
System	S. WOODS	1-2-80
ZTS QC	R. J. SALAS	7-1-79
MAP PLO	D. BOWLING	2-6-79
ZTS CORRECTION		
CORRECTION CHECK	G. MARTIN	2-28-80
F.W.S. ACCEPT		

SPECIAL NOTE

This document was prepared primarily by stereoscopic analysis of high altitude aerial photographs. Wetlands were identified on the photographs based on vegetation, visible hydrology, and geography in accordance with Classification of Wetlands and Deepwater Habitats of the United States (FWS/OBS - 79/31 December 1979). The aerial photographs typically reflect conditions during the specific year and season when they were taken. In addition, there is a margin of error inherent in the use of the aerial photographs. Thus, a detailed on the ground and historical analysis of a single site may result in a revision of the wetland boundaries established through photographic observation by direct forest cover may not be included on this document.

Federal, State and local regulatory agencies with jurisdiction over wetlands may define and describe wetlands in a different manner than that used in this inventory. There is no attempt, in either the design or products of this inventory, to define the limits of proprietary jurisdiction of any Federal, State or local government or to establish the geographical scope of the regulatory programs of government agencies. Persons intending to engage in activities involving modifications within or adjacent to wetland areas should seek the advice of appropriate Federal, State or local agencies concerning specified agency regulatory programs and proprietary jurisdictions that may affect such activities.

DRAFT



NOTES TO THE USER

- Wetlands which have been field examined are indicated on the map by an asterisk (*).
- Wetlands or corrections to the wetlands information displayed on this map are solicited. Please forward such information to the address indicated.
- Subsystems, Classes, Subclasses, and Water Regimes in italics were developed specifically for NATIONAL WETLANDS INVENTORY mapping.
- Some areas designated as R201H, R201I, or R201J (INTERMITTENT STREAMS) may not meet the definition of wetland.
- This map uses the class Unconsolidated Shore (US) on earlier NWI maps that class was designated Beach/Bar (BB) or Flat (FL). Subclasses remain the same in both versions.

AERIAL PHOTOGRAPHY

DATE: 3/80 SCALE: 1:50,000 TYPE: CIR



U.S. DEPARTMENT OF THE INTERIOR
FISH AND WILDLIFE SERVICE
Prepared by National Wetlands Inventory

SYSTEM	1 - SUBTIDAL	2 - INTERTIDAL	3 - ESTUARINE	4 - INTERTIDAL	5 - FORESTED
CLASS	R1 - ROCK BOTTOM	U1 - UNCONSOLIDATED AS - AQUATIC BED	R1 - ROCK SHORE	U1 - UNCONSOLIDATED AS - AQUATIC BED	R1 - ROCK SHORE
Subclass	1 Bank 2 Sand 3 Mud 4 Organic	1 Bank 2 Sand 3 Mud 4 Organic	1 Bank 2 Sand 3 Mud 4 Organic	1 Bank 2 Sand 3 Mud 4 Organic	1 Bank 2 Sand 3 Mud 4 Organic

SYSTEM	1 - TIDAL	2 - LOWER PERENNIAL	3 - UPPER PERENNIAL	4 - INTERMITTENT	5 - UNKNOWN PERENNIAL
CLASS	R1 - ROCK BOTTOM	U1 - UNCONSOLIDATED AS - AQUATIC BED	R1 - ROCK SHORE	U1 - UNCONSOLIDATED AS - AQUATIC BED	R1 - ROCK SHORE
Subclass	1 Bank 2 Sand 3 Mud 4 Organic	1 Bank 2 Sand 3 Mud 4 Organic	1 Bank 2 Sand 3 Mud 4 Organic	1 Bank 2 Sand 3 Mud 4 Organic	1 Bank 2 Sand 3 Mud 4 Organic

SYSTEM	1 - LIMNETIC	2 - LITTORAL
CLASS	R1 - ROCK BOTTOM	U1 - UNCONSOLIDATED AS - AQUATIC BED
Subclass	1 Bank 2 Sand 3 Mud 4 Organic	1 Bank 2 Sand 3 Mud 4 Organic

SYSTEM	1 - PALUSTRINE
CLASS	R1 - ROCK BOTTOM
Subclass	1 Bank 2 Sand 3 Mud 4 Organic

WATER REGIME		WATER CHEMISTRY		SOIL		SPECIAL MODIFIERS	
A. Temporarily Flooded	H. Permanently Flooded	1. Salinity	2. pH	1. Organic	2. Heavy	1. Other/Unusual	2. Other/Unusual
B. Seasonally Flooded	I. Intermittently Flooded	3. Hardness	3. Sulfate	3. Heavy	3. Heavy	3. Other/Unusual	3. Other/Unusual
C. Intermittently Flooded	J. Intermittently Flooded	4. Nitrate	4. Nitrate	4. Heavy	4. Heavy	4. Other/Unusual	4. Other/Unusual
D. Seasonally Flooded	K. Intermittently Flooded	5. Phosphate	5. Phosphate	5. Heavy	5. Heavy	5. Other/Unusual	5. Other/Unusual
E. Intermittently Flooded	L. Intermittently Flooded	6. Ammonia	6. Ammonia	6. Heavy	6. Heavy	6. Other/Unusual	6. Other/Unusual
F. Seasonally Flooded	M. Intermittently Flooded	7. Chloride	7. Chloride	7. Heavy	7. Heavy	7. Other/Unusual	7. Other/Unusual
G. Intermittently Flooded	N. Intermittently Flooded	8. Sulfate	8. Sulfate	8. Heavy	8. Heavy	8. Other/Unusual	8. Other/Unusual
H. Seasonally Flooded	O. Intermittently Flooded	9. Nitrate	9. Nitrate	9. Heavy	9. Heavy	9. Other/Unusual	9. Other/Unusual
I. Intermittently Flooded	P. Intermittently Flooded	10. Phosphate	10. Phosphate	10. Heavy	10. Heavy	10. Other/Unusual	10. Other/Unusual
J. Intermittently Flooded	Q. Intermittently Flooded	11. Ammonia	11. Ammonia	11. Heavy	11. Heavy	11. Other/Unusual	11. Other/Unusual
K. Intermittently Flooded	R. Intermittently Flooded	12. Chloride	12. Chloride	12. Heavy	12. Heavy	12. Other/Unusual	12. Other/Unusual
L. Intermittently Flooded	S. Intermittently Flooded	13. Sulfate	13. Sulfate	13. Heavy	13. Heavy	13. Other/Unusual	13. Other/Unusual
M. Intermittently Flooded	T. Intermittently Flooded	14. Nitrate	14. Nitrate	14. Heavy	14. Heavy	14. Other/Unusual	14. Other/Unusual
N. Intermittently Flooded	U. Unknown	15. Phosphate	15. Phosphate	15. Heavy	15. Heavy	15. Other/Unusual	15. Other/Unusual
O. Intermittently Flooded		16. Ammonia	16. Ammonia	16. Heavy	16. Heavy	16. Other/Unusual	16. Other/Unusual
P. Intermittently Flooded		17. Chloride	17. Chloride	17. Heavy	17. Heavy	17. Other/Unusual	17. Other/Unusual
Q. Intermittently Flooded		18. Sulfate	18. Sulfate	18. Heavy	18. Heavy	18. Other/Unusual	18. Other/Unusual
R. Intermittently Flooded		19. Nitrate	19. Nitrate	19. Heavy	19. Heavy	19. Other/Unusual	19. Other/Unusual
S. Intermittently Flooded		20. Phosphate	20. Phosphate	20. Heavy	20. Heavy	20. Other/Unusual	20. Other/Unusual
T. Intermittently Flooded		21. Ammonia	21. Ammonia	21. Heavy	21. Heavy	21. Other/Unusual	21. Other/Unusual
U. Unknown		22. Chloride	22. Chloride	22. Heavy	22. Heavy	22. Other/Unusual	22. Other/Unusual
		23. Sulfate	23. Sulfate	23. Heavy	23. Heavy	23. Other/Unusual	23. Other/Unusual
		24. Nitrate	24. Nitrate	24. Heavy	24. Heavy	24. Other/Unusual	24. Other/Unusual
		25. Phosphate	25. Phosphate	25. Heavy	25. Heavy	25. Other/Unusual	25. Other/Unusual
		26. Ammonia	26. Ammonia	26. Heavy	26. Heavy	26. Other/Unusual	26. Other/Unusual
		27. Chloride	27. Chloride	27. Heavy	27. Heavy	27. Other/Unusual	27. Other/Unusual
		28. Sulfate	28. Sulfate	28. Heavy	28. Heavy	28. Other/Unusual	28. Other/Unusual
		29. Nitrate	29. Nitrate	29. Heavy	29. Heavy	29. Other/Unusual	29. Other/Unusual
		30. Phosphate	30. Phosphate	30. Heavy	30. Heavy	30. Other/Unusual	30. Other/Unusual
		31. Ammonia	31. Ammonia	31. Heavy	31. Heavy	31. Other/Unusual	31. Other/Unusual
		32. Chloride	32. Chloride	32. Heavy	32. Heavy	32. Other/Unusual	32. Other/Unusual
		33. Sulfate	33. Sulfate	33. Heavy	33. Heavy	33. Other/Unusual	33. Other/Unusual
		34. Nitrate	34. Nitrate	34. Heavy	34. Heavy	34. Other/Unusual	34. Other/Unusual
		35. Phosphate	35. Phosphate	35. Heavy	35. Heavy	35. Other/Unusual	35. Other/Unusual
		36. Ammonia	36. Ammonia	36. Heavy	36. Heavy	36. Other/Unusual	36. Other/Unusual
		37. Chloride	37. Chloride	37. Heavy	37. Heavy	37. Other/Unusual	37. Other/Unusual
		38. Sulfate	38. Sulfate	38. Heavy	38. Heavy	38. Other/Unusual	38. Other/Unusual
		39. Nitrate	39. Nitrate	39. Heavy	39. Heavy	39. Other/Unusual	39. Other/Unusual
		40. Phosphate	40. Phosphate	40. Heavy	40. Heavy	40. Other/Unusual	40. Other/Unusual
		41. Ammonia	41. Ammonia	41. Heavy	41. Heavy	41. Other/Unusual	41. Other/Unusual
		42. Chloride	42. Chloride	42. Heavy	42. Heavy	42. Other/Unusual	42. Other/Unusual
		43. Sulfate	43. Sulfate	43. Heavy	43. Heavy	43. Other/Unusual	43. Other/Unusual
		44. Nitrate	44. Nitrate	44. Heavy	44. Heavy	44. Other/Unusual	44. Other/Unusual
		45. Phosphate	45. Phosphate	45. Heavy	45. Heavy	45. Other/Unusual	45. Other/Unusual
		46. Ammonia	46. Ammonia	46. Heavy	46. Heavy	46. Other/Unusual	46. Other/Unusual
		47. Chloride	47. Chloride	47. Heavy	47. Heavy	47. Other/Unusual	47. Other/Unusual
		48. Sulfate	48. Sulfate	48. Heavy	48. Heavy	48. Other/Unusual	48. Other/Unusual
		49. Nitrate	49. Nitrate	49. Heavy	49. Heavy	49. Other/Unusual	49. Other/Unusual
		50. Phosphate	50. Phosphate	50. Heavy	50. Heavy	50. Other/Unusual	50. Other/Unusual
		51. Ammonia	51. Ammonia	51. Heavy	51. Heavy	51. Other/Unusual	51. Other/Unusual
		52. Chloride	52. Chloride	52. Heavy	52. Heavy	52. Other/Unusual	52. Other/Unusual
		53. Sulfate	53. Sulfate	53. Heavy	53. Heavy	53. Other/Unusual	53. Other/Unusual
		54. Nitrate	54. Nitrate	54. Heavy	54. Heavy	54. Other/Unusual	54. Other/Unusual
		55. Phosphate	55. Phosphate	55. Heavy	55. Heavy	55. Other/Unusual	55. Other/Unusual
		56. Ammonia	56. Ammonia	56. Heavy	56. Heavy	56. Other/Unusual	56. Other/Unusual
		57. Chloride	57. Chloride	57. Heavy	57. Heavy	57. Other/Unusual	57. Other/Unusual
		58. Sulfate	58. Sulfate	58. Heavy	58. Heavy	58. Other/Unusual	58. Other/Unusual
		59. Nitrate	59. Nitrate	59. Heavy	59. Heavy	59. Other/Unusual	59. Other/Unusual
		60. Phosphate	60. Phosphate	60. Heavy	60. Heavy	60. Other/Unusual	60. Other/Unusual
		61. Ammonia	61. Ammonia	61. Heavy	61. Heavy	61. Other/Unusual	61. Other/Unusual
		62. Chloride	62. Chloride	62. Heavy	62. Heavy	62. Other/Unusual	62. Other/Unusual
		63. Sulfate	63. Sulfate	63. Heavy	63. Heavy	63. Other/Unusual	63. Other/Unusual
		64. Nitrate	64. Nitrate	64. Heavy	64. Heavy	64. Other/Unusual	64. Other/Unusual
		65. Phosphate	65. Phosphate	65. Heavy	65. Heavy	65. Other/Unusual	65. Other/Unusual
		66. Ammonia	66. Ammonia	66. Heavy	66. Heavy	66. Other/Unusual	66. Other/Unusual
		67. Chloride	67. Chloride	67. Heavy	67. Heavy	67. Other/Unusual	67. Other/Unusual
		68. Sulfate	68. Sulfate	68. Heavy	68. Heavy	68. Other/Unusual	68. Other/Unusual
		69. Nitrate	69. Nitrate	69. Heavy	69. Heavy	69. Other/Unusual	69. Other/Unusual
		70. Phosphate	70. Phosphate	70. Heavy	70. Heavy	70. Other/Unusual	70. Other/Unusual
		71. Ammonia	71. Ammonia	71. Heavy	71. Heavy	71. Other/Unusual	71. Other/Unusual
		72. Chloride	72. Chloride	72. Heavy	72. Heavy	72. Other/Unusual	72. Other/Unusual
		73. Sulfate	73. Sulfate	73. Heavy	73. Heavy	73. Other/Unusual	73. Other/Unusual
		74. Nitrate	74. Nitrate	74. Heavy	74. Heavy	74. Other/Unusual	74. Other/Unusual
		75. Phosphate	75. Phosphate	75. Heavy	75. Heavy	75. Other/Unusual	75. Other/Unusual
		76. Ammonia	76. Ammonia	76. Heavy	76. Heavy	76. Other/Unusual	76. Other/Unusual
		77. Chloride	77. Chloride	77. Heavy	77. Heavy	77. Other/Unusual	77. Other/Unusual
		78. Sulfate	78. Sulfate	78. Heavy	78. Heavy	78. Other/Unusual	78. Other/Unusual
		79. Nitrate	79. Nitrate	79. Heavy	79. Heavy	79. Other/Unusual	79. Other/Unusual
		80. Phosphate	80. Phosphate	80. Heavy	80. Heavy	80. Other/Unusual	80. Other/Unusual
		81. Ammonia	81. Ammonia	81. Heavy	81. Heavy	81. Other/Unusual	81. Other/Unusual
		82. Chloride	82. Chloride	82. Heavy	82. Heavy	82. Other/Unusual	82. Other/Unusual
		83. Sulfate	83. Sulfate	83. Heavy	83. Heavy	83. Other/Unusual	83. Other/Unusual
		84. Nitrate	84. Nitrate	84. Heavy	84. Heavy	84. Other/Unusual	84. Other/Unusual
		85. Phosphate	85. Phosphate	85. Heavy	85. Heavy	85. Other/Unusual	85. Other/Unusual
		86. Ammonia	86. Ammonia	86. Heavy	86. Heavy	86. Other/Unusual	86. Other/Unusual
		87. Chloride	87. Chloride	87. Heavy	87. Heavy	87. Other/Unusual	87. Other/Unusual
		88. Sulfate	88. Sulfate	88. Heavy	88. Heavy	88. Other/Unusual	88. Other/Unusual
		89. Nitrate	89. Nitrate	89. Heavy	89. Heavy	89. Other/Unusual	89. Other/Unusual
		90. Phosphate	90. Phosphate	90. Heavy	90. Heavy	90. Other/Unusual	90. Other/Unusual
		91. Ammonia	91. Ammonia	91. Heavy	91. Heavy	91. Other/Unusual	91. Other/Unusual
		92. Chloride	92. Chloride	92. Heavy	92. Heavy	92. Other/Unusual	92. Other/Unusual
		93. Sulfate	93. Sulfate	93. Heavy	93. Heavy	93. Other/Unusual	93. Other/Unusual
		94. Nitrate	94. Nitrate	94. Heavy	94. Heavy	94. Other/Unusual	94. Other/Unusual
		95. Phosphate	95. Phosphate	95. Heavy	95. Heavy	95. Other/Unusual	95. Other/Unusual
		96. Ammonia	96. Ammonia	96. Heavy	96. Heavy	96. Other/Unusual	96. Other/Unusual
		97. Chloride	97. Chloride	97. Heavy	97. Heavy	97. Other/Unusual	97. Other/Unusual
		98. Sulfate	98. Sulfate	98. Heavy	98. Heavy	98. Other/Unusual	98. Other/Unusual
		99. Nitrate	99. Nitrate	99. Heavy	99. Heavy	99. Other/Unusual	99. Other/Unusual
		100. Phosphate	100. Phosphate	100. Heavy	100. Heavy	100. Other/Unusual	100. Other/Unusual

