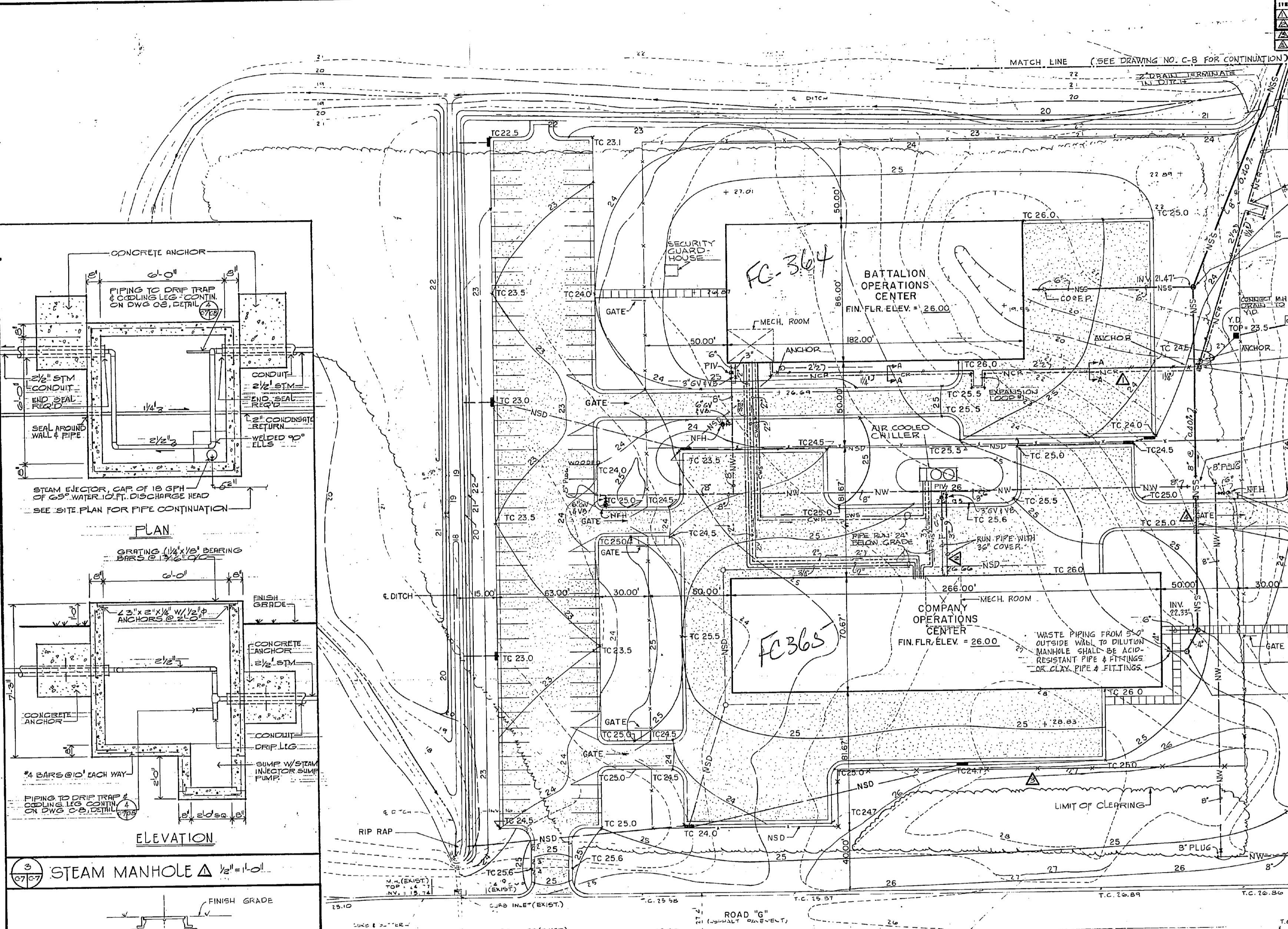


REVISIONS		
NO.	DESCRIPTION	DATE
1	REVISED STEAM SUPPLY PIPING	8-27-82
2	RELOCATED NEW WATER PIPING	8-28-82
3	RELOCATED FENCE TO 4.0' OF BACK OF CURB	8-28-82
4	ENCASID NDS IN CONCRETE UNDER DRIVE	8-28-82

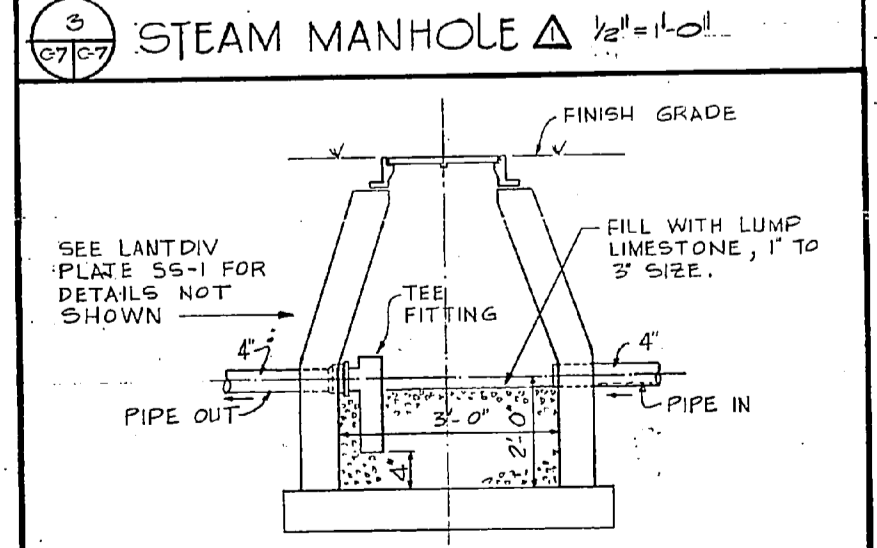
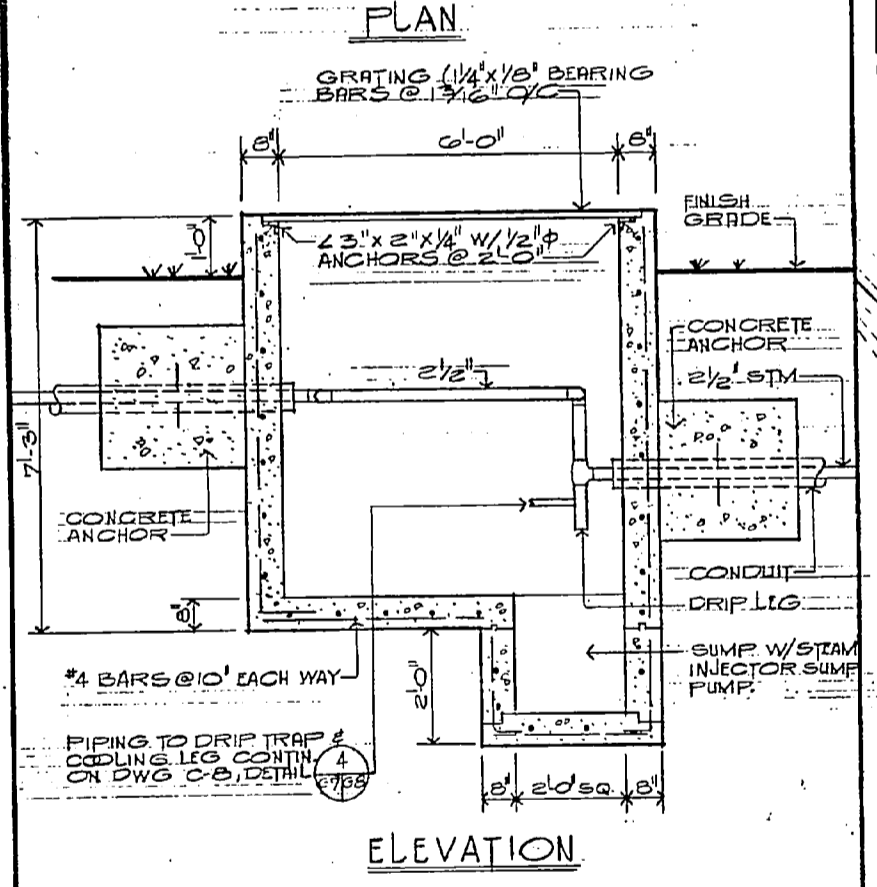
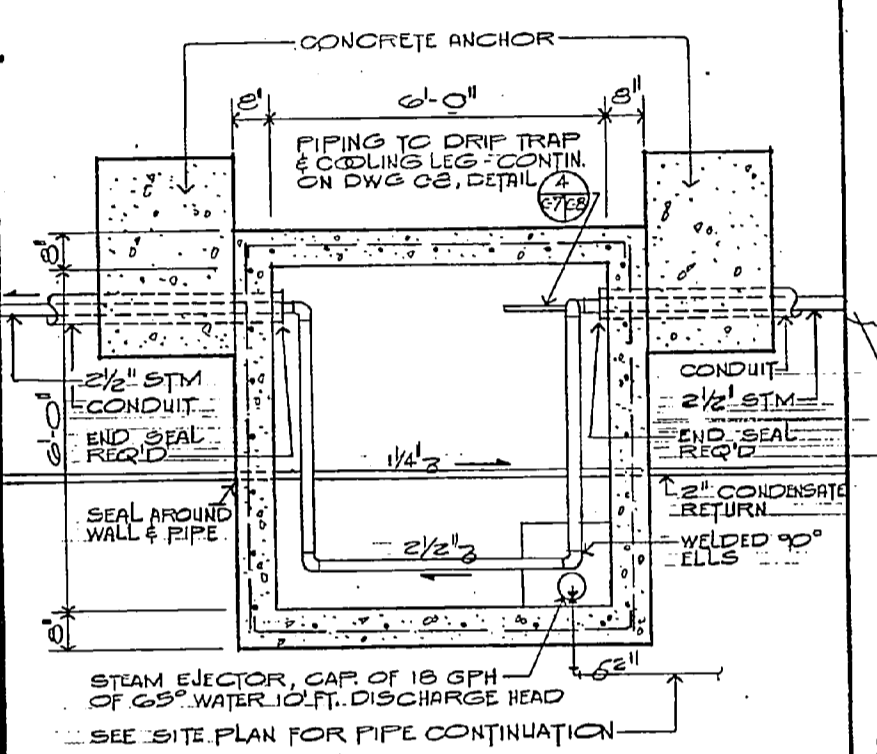


HIGH PRESSURE STEAM & CONDENSATE PIPE RUN BELOW GRADE.

NOTES
SEE DWG. NO. C-4 FOR STORM DRAINAGE PIPING. DO NOT USE THIS DRAWING, C-7, FOR STORM DRAINAGE PIPING.

LEGEND

SYMBOL	DESCRIPTION
---	ONE FOOT CONTOUR INTERVALS
---	EXISTING CONTOURS
---	FINISH CONTOURS
---	EXIST. WOOD LINE
---	EXIST. TOP OF CURB ELEV. +28.99
---	NEW TOP OF CURB ELEV. +TC 25.0
---	NEW STORM DRAIN
---	EXIST. SANITARY SEWER
---	NEW SANITARY SEWER
---	EXIST. SANITARY MANHOLE
---	NEW SANITARY MANHOLE
---	EXIST. WATER PIPING
---	NEW WATER PIPING
---	EXIST. FIRE HYDRANT
---	NEW FIRE HYDRANT
---	NEW FIRE PROTECTION PIPING
---	NEW POST INDICATOR VALVE
---	EXIST. CONDENSATE RETURN
---	NEW CONDENSATE RETURN
---	EXIST. STEAM PIPING
---	NEW PRESS. STEAM
---	EXIST. GATE VALVE & VALVE BOX
---	NEW GATE VALVE & VALVE BOX
---	CLEANOUT AT FINISH PAVEMENT
---	HOT WATER RETURN PIPE
---	HOT WATER SUPPLY PIPE
---	CHILLED WATER SUPPLY PIPE
---	CHILLED WATER RETURN PIPE
---	HIGH PRESS. STEAM PIPE
---	DOMESTIC HOT WATER PIPING
---	DOMESTIC HOT WATER REGR.
---	NEW HEATING MANHOLE

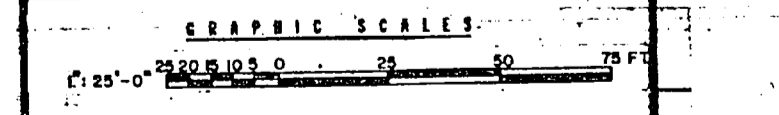


INSTALLATION DETAILS

CLEANOUT: SEE LANTDIV PLATE 55-3.
 FIRE HYDRANT: SEE LANTDIV PLATE WD-2. THIS PLATE ALSO SHOWS LOCATION OF FIRE HYDRANT, MANHOLE, SANITARY; SEE LANTDIV PLATE 55-1.
 THRUST BLOCKS FOR WATER MAINS: SEE LANTDIV PLATE WD-1.
 MANHOLE, STEAM: SEE DETAIL N° 3 THIS SHEET

EXPANSION LOOP SCHEDULE

LOOP NO.	PIPE SIZE	CONDUIT	TOTAL EXPR. DIM. W/DIM
1	2 1/2"	12 3/4"	6.8' 11.0' 5.0'
2	2 1/2"	12"	5.3' 10.0' 5.0'
3	2 1/2"	12 3/4"	6.3' 11.0' 5.0'
4	2 1/2"	12"	5.2' 10.0' 5.0'



SATISFACTORY TO

DATE 5/31/79

RECORD DRAWING
DATE 8 JUNE 1981

C-7

FISHEL AND TAYLOR
ARCHITECTS
BALTIMORE - NORTH CAROLINA

DEPARTMENT OF THE NAVY
NAVAL FACILITIES ENGINEERING COMMAND
ATLANTIC DIVISION
NAVAL STATION
MARINE CORPS BASE - FRENCH CREEK AREA
CHESAPEAKE

OPERATIONS AND MAINTENANCE FACILITY
PARTIAL SITE UTILITIES PLAN - DETAILS

SIZE CODE UNIT NO. NAUTIC DRAWING NO. 4048065
 F 80091
 SHEET NO. 7 OF 45
 148066

