

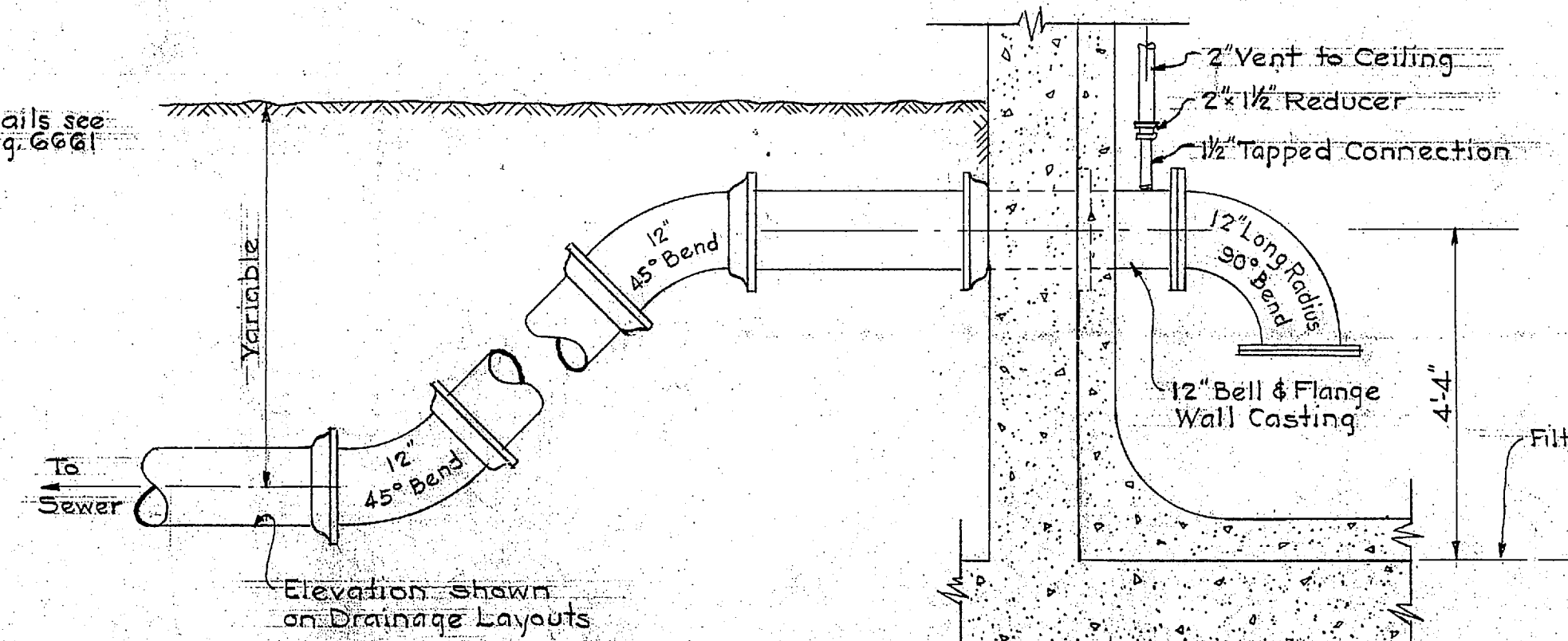
NOTE:
 Where Backwater Valves are indicated at manholes, Palmer sewer valves suitable for terra cotta pipe shall be used. Unless otherwise shown provide P-Trap at each Floor Drain.

REVISION B
 PWO
 Jan. 7 1944

REVISION C
 PWO
 12 Apr. 44

REVISION A
 DEC. 6, 1943

REVISION A
 DEC. 6, 1943



SECTION A-A
 Scale: 1/2\"/>

REVISION	DATE	BRIEF	IN CHARGE	BY
PWO B	1-7-44	1/4 sewer changed to 5, See Rev. A Dwg 287895 Pipe changed from T.C. to S.P.	Edw Sutherland	Sutherland
A	12-6-43	REVISED DRAINAGE LAYOUTS TO REMOVE WASH WATER, SCUM GUTTERS (EXCEPT M.P.) & FLOOR DRAINS FROM THE SEWER AS DIRECTED	Edw Sutherland	ALBERT

CONTRACT NO. 7030

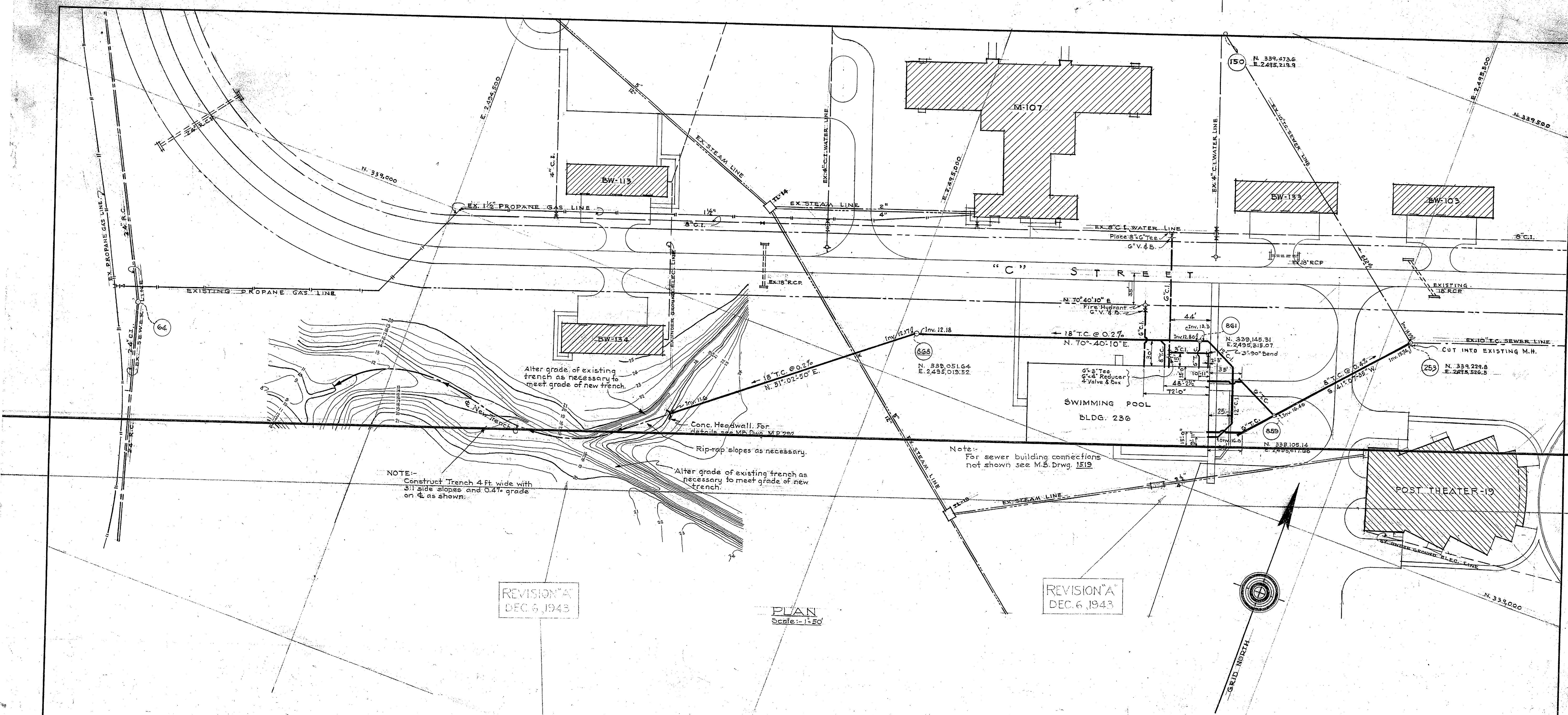
Rev.	By	Date	Brief	PWO
G	Sutherland	12 Apr 44	Drain added for new areaway	Edw

CARR & J. E. GREINER CO.—ARCHITECT-ENGINEERS
 DURHAM, N. C. BALTIMORE, MD.
CAMP LEJEUNE — NEW RIVER, N. C.
 BUREAU OF YARDS AND DOCKS — U. S. NAVY

SWIMMING POOLS
DRAINAGE LAYOUTS
 DIVISION TRAINING AREA
 MONTFORD POINT AREA

287874

APPROVED <i>Edw Sutherland</i> 10/10/43	SHEET	P. 210/23
BY <i>Edw Sutherland</i>	OF	M.B. PROJ. NO. P. 103.23
OFFICER IN CHARGE		M.B. Dwg. No. 1519

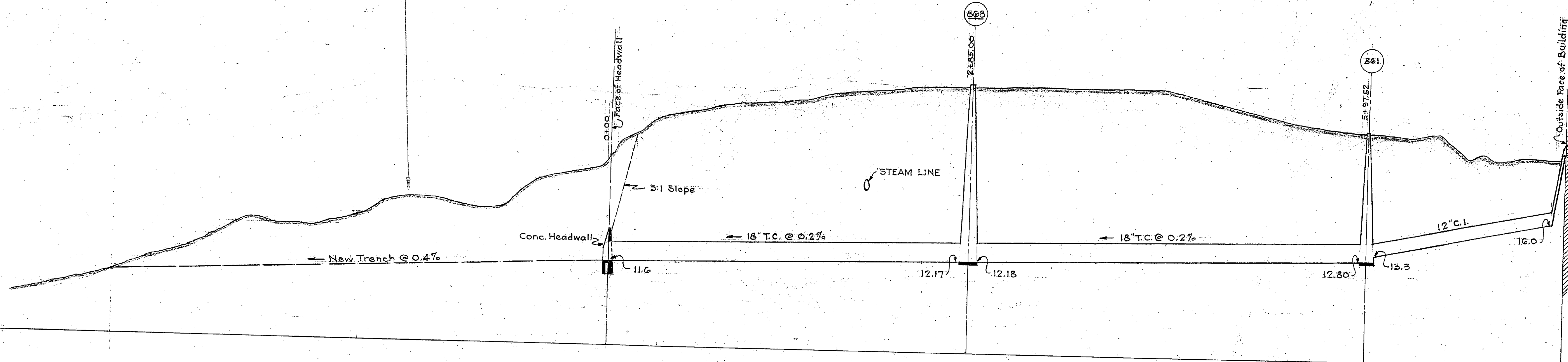
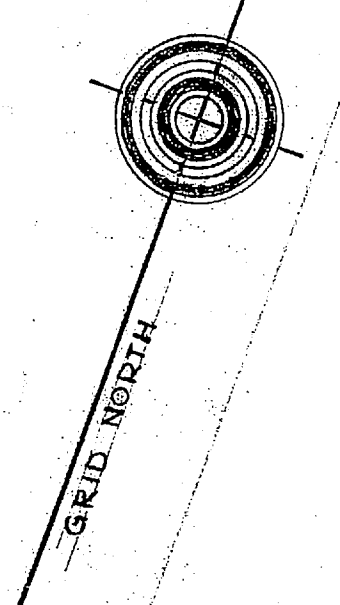


NOTE:-
Construct Trench 4 ft wide with
3:1 side slopes and 0.4% grade
on ϕ as shown.

REVISION 'A'
DEC. 5, 1943

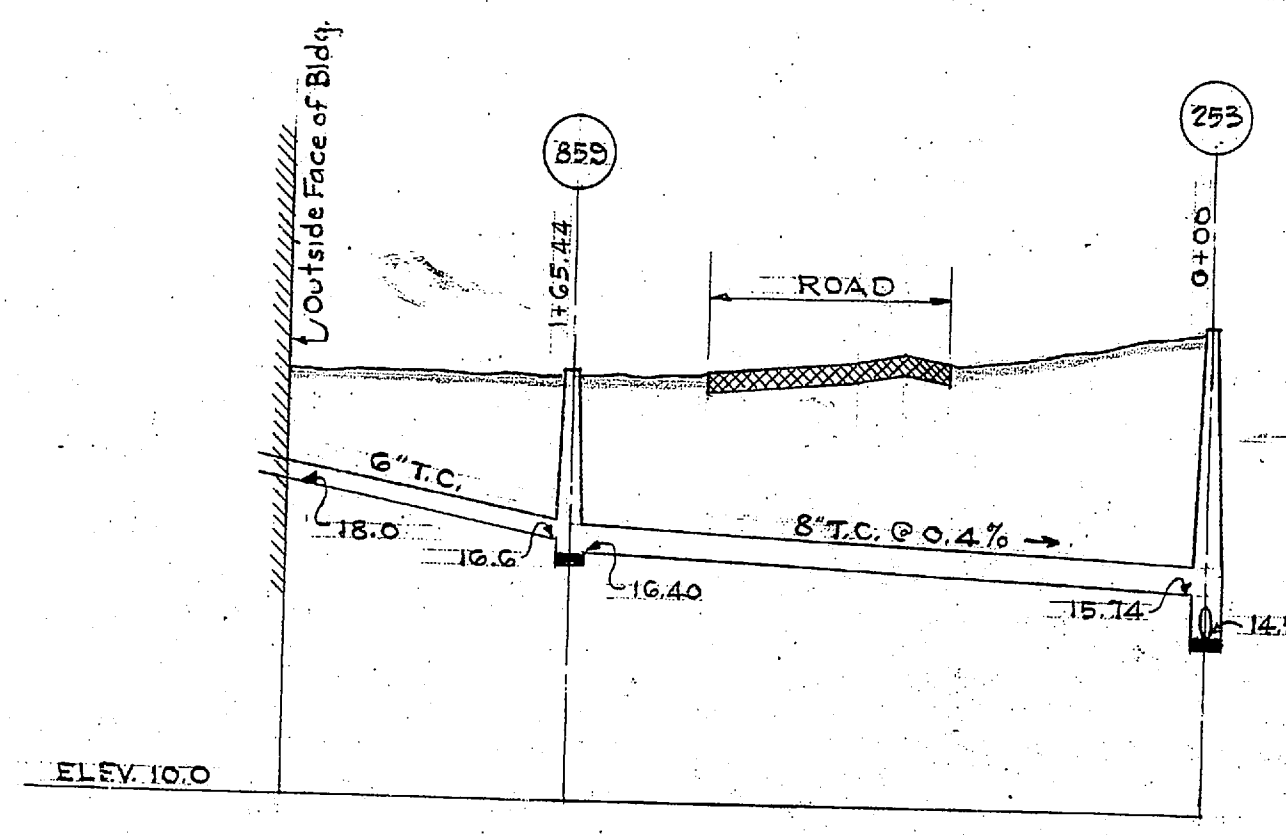
PLAN
Scale: 1" = 50'

REVISION 'A'
DEC. 6, 1943



PROFILE ON ϕ DRAIN & TRENCH
Scale: HOR. 1" = 50'
VER. 1" = 5'

SEWER LEGEND
EXISTING SEWERS SHOWN
PROPOSED SEWERS SHOWN
MANHOLES SHOWN
MANHOLES STAKED IN FIELD



PROFILE ON ϕ SEWER
Scale: HOR. 1" = 50'
VER. 1" = 5'

REVISION 'A'
DEC. 6, 1943

CONTRACT NO. 7030

DRAWN BY <u>Burghardt</u>		CARR & J. E. GREINER CO.—ARCHITECT-ENGINEERS DURHAM, N. C. BALTIMORE, MD.	
CHECKED BY <u>Scheller</u>		CAMP LEJEUNE — NEW RIVER, N. C. BUREAU OF YARDS AND DOCKS — U. S. NAVY	
IN CHARGE <u>Taylor</u>		SWIMMING POOLS SEWER AND WATER PLAN	
DATE <u>Oct. 29, 1943</u>		REGIMENTAL AREA No. 2	
SCALE <u>As Noted</u>		Y. & D. DRAWING NO.	
NO. <u>11905</u>		287873	
ARCHITECT-ENGINEERS SPECIFICATION		APPROVED <u>27 Oct 1943</u>	
REV. BY DATE		BY <u>[Signature]</u> OFFICER IN CHARGE	
BRIEF		SHEET	
O. I. C.		PROJ. NO. P-1510-12	
NO. 11905		DWG. NO. 1518	

A	BURGHARDT	12-6-43	ADDED 8" SEWER & 6" CONN. FROM M.N. 253 TO BLDG. WATER, FLOOD & SCUM QUITER DRAINS FROM SEWER AS DIRECTED. ADDED F.H. CONN. TO PDDL.
---	-----------	---------	--

