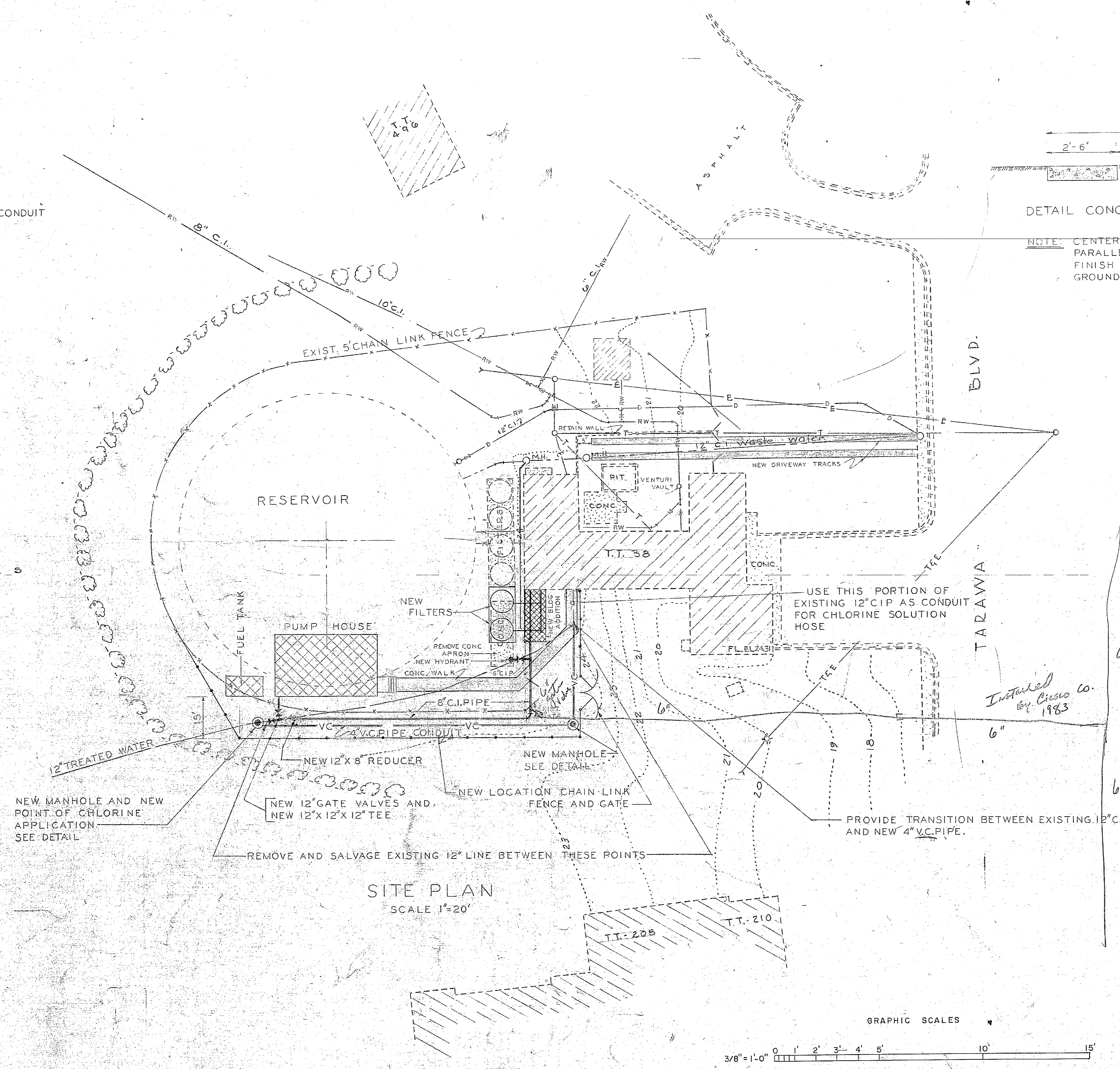
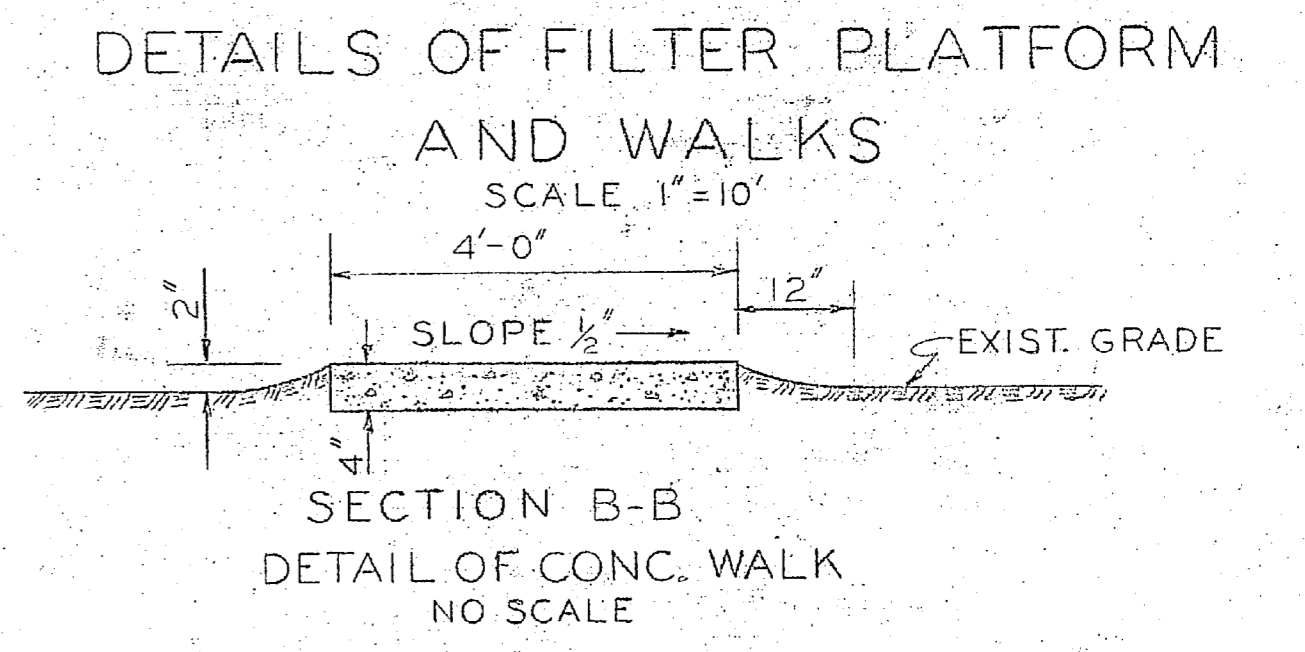
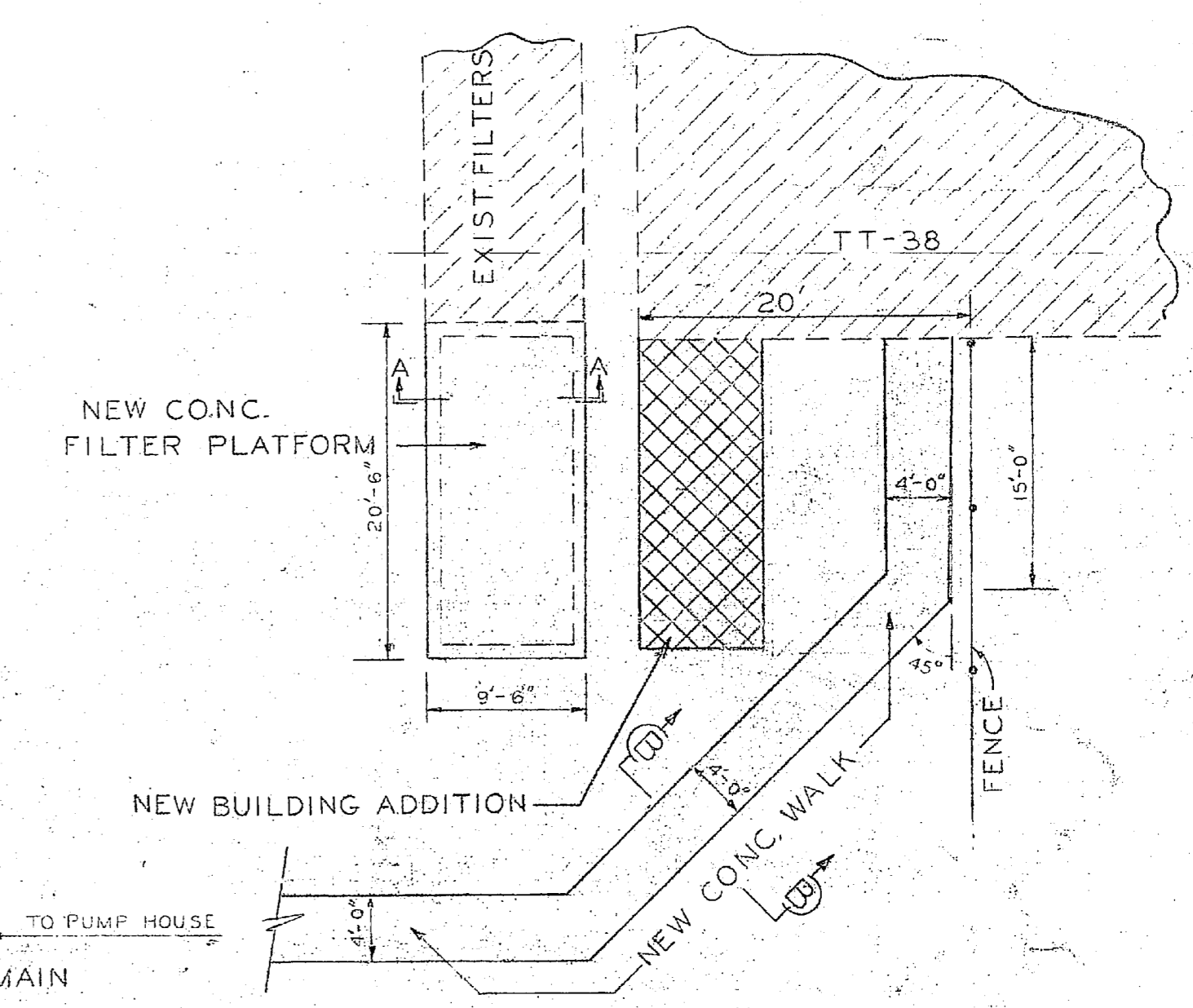
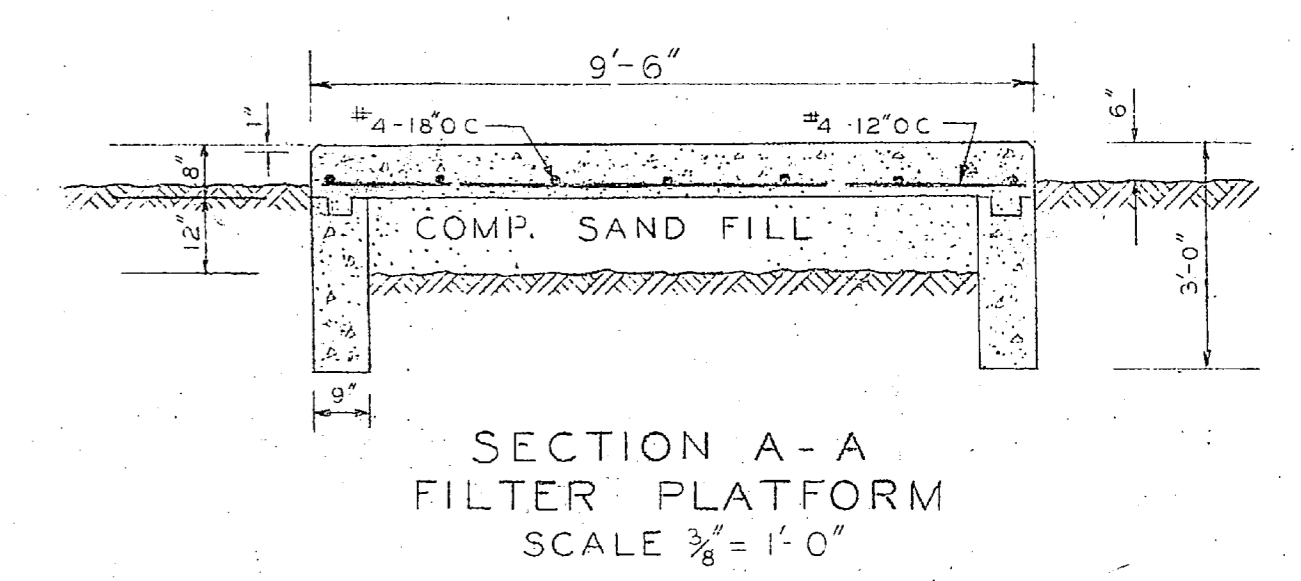
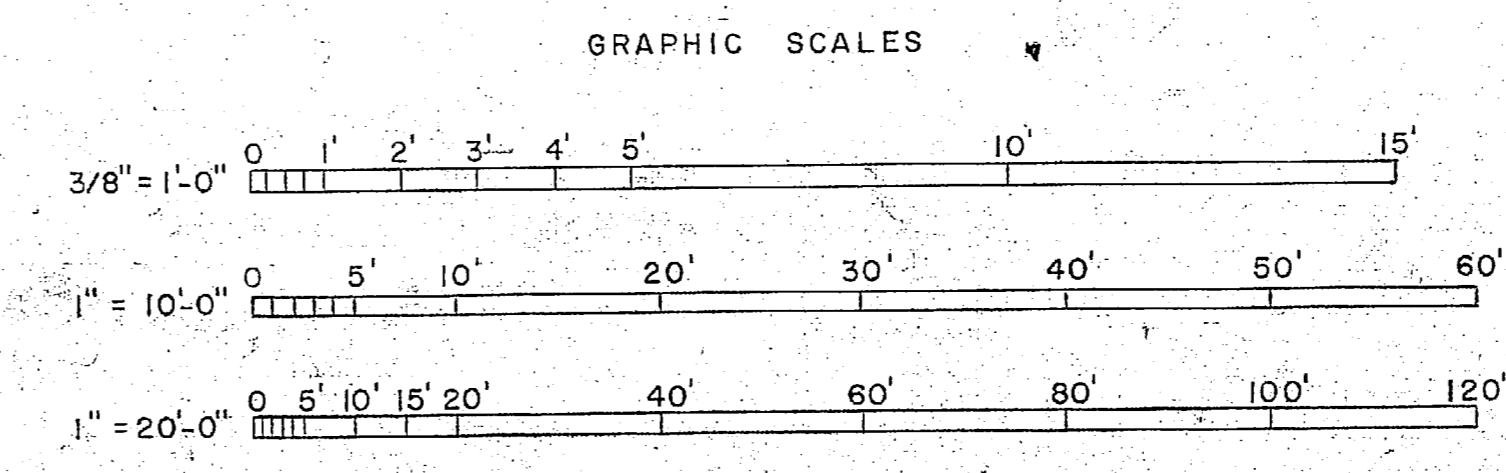


NOTE: CENTER TRACKS AT FENCE-GATE AND RUN PARALLEL TO RETAIN WALL. FINISH GRADE OF TRACKS TO FOLLOW EXIST. GROUND ON UNIFORM SLOPE.



LEGEND

EXIST. ROADS	---
CONC. WALKS-SLABS	▨
RAW WATER LINE-VALVES	—
WASTE WATER LINE	—
DRAIN LINE	—
TREATED-WATER LINE	—
WOODS LINE-APPROX.	~
5' CHAIN LINK FENCE	—
CONTOURS	—
BUILDINGS	▨
OVERHEAD POWER-TELEPHONE	—
NEW CONC. WALKS-DRIVEWAY	▨
PUMP HOUSE, FUEL TANK, BLDG. ADDIT.	▨
FILTERS	▨
WATER LINE-VALVES-HYDRANT	—
5' CHAIN LINK FENCE LOCATION	—
MANHOLE	⊙
VITRIFIED CLAY PIPE CONDUIT	—



SATISFACTORY TO	APPROVED	DATE
THE COMMANDING GENERAL MARINE CORPS BASE, CAMP LEJEUNE, N.C.	<i>[Signature]</i>	10/2/62
DATE	APPROVED FOR BUREAU OF YARDS & DOCKS	SCALE NOTED: SPEC 46506/62
10/2/62	<i>[Signature]</i>	SHEET 2 OF 10 No. 46508
SATISFACTORY TO	FOR BUREAU OF YARDS & DOCKS	Y. & D. DRAWING NO. 859315
THE QUARTERMASTER GENERAL OF THE MARINE CORPS	<i>[Signature]</i>	DATE 10/2/62

REVISION	DATE	APPD.	DESCRIPTION	BY
1	10/2/62	AS BUILT	MARINE CORPS BASE CAMP LEJEUNE, N.C. ATLANTIC DIVISION, BUREAU OF YARDS & DOCKS, NORFOLK, VA.	AEE
P.W. DRAWING NO. 12115				
CONVERSION TARAWA TERRACE WATER SUPPLY IMPROVEMENTS				
SITE PLAN				

