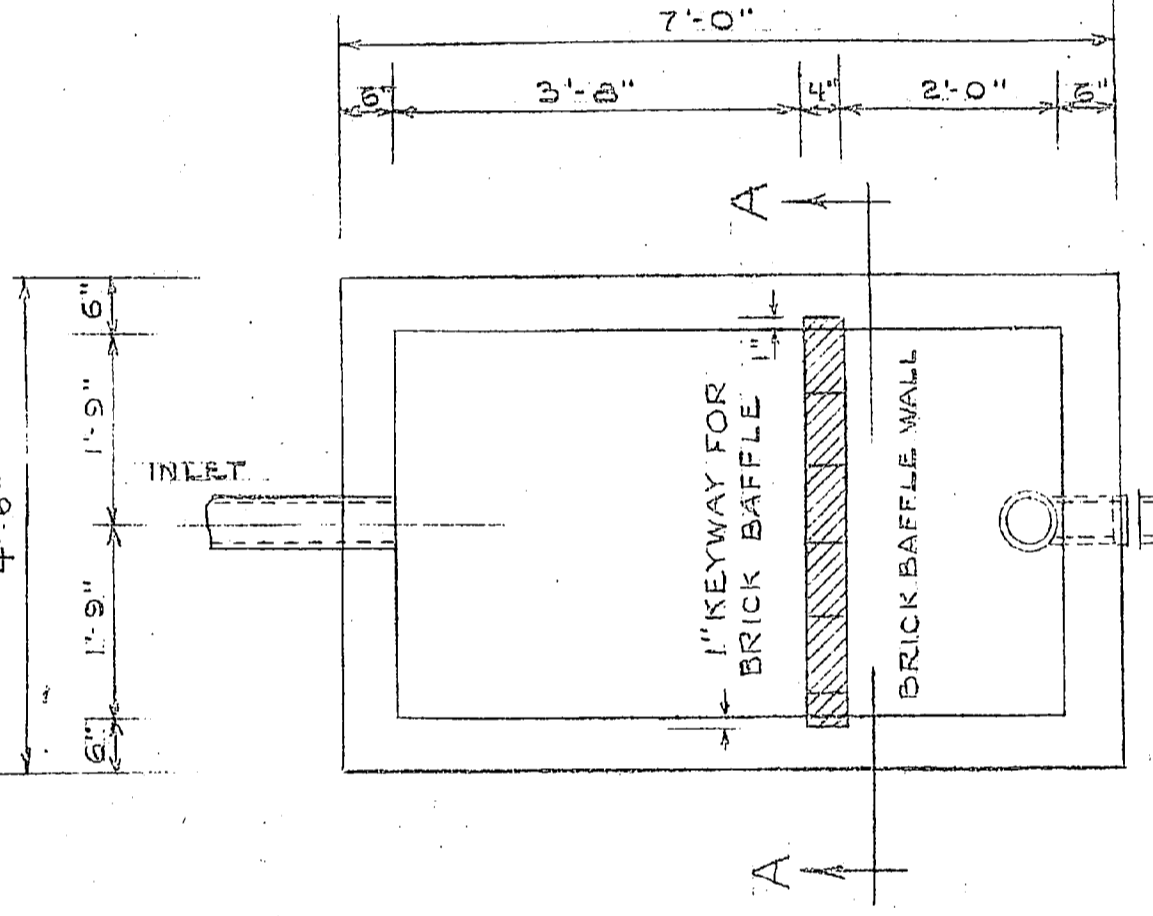
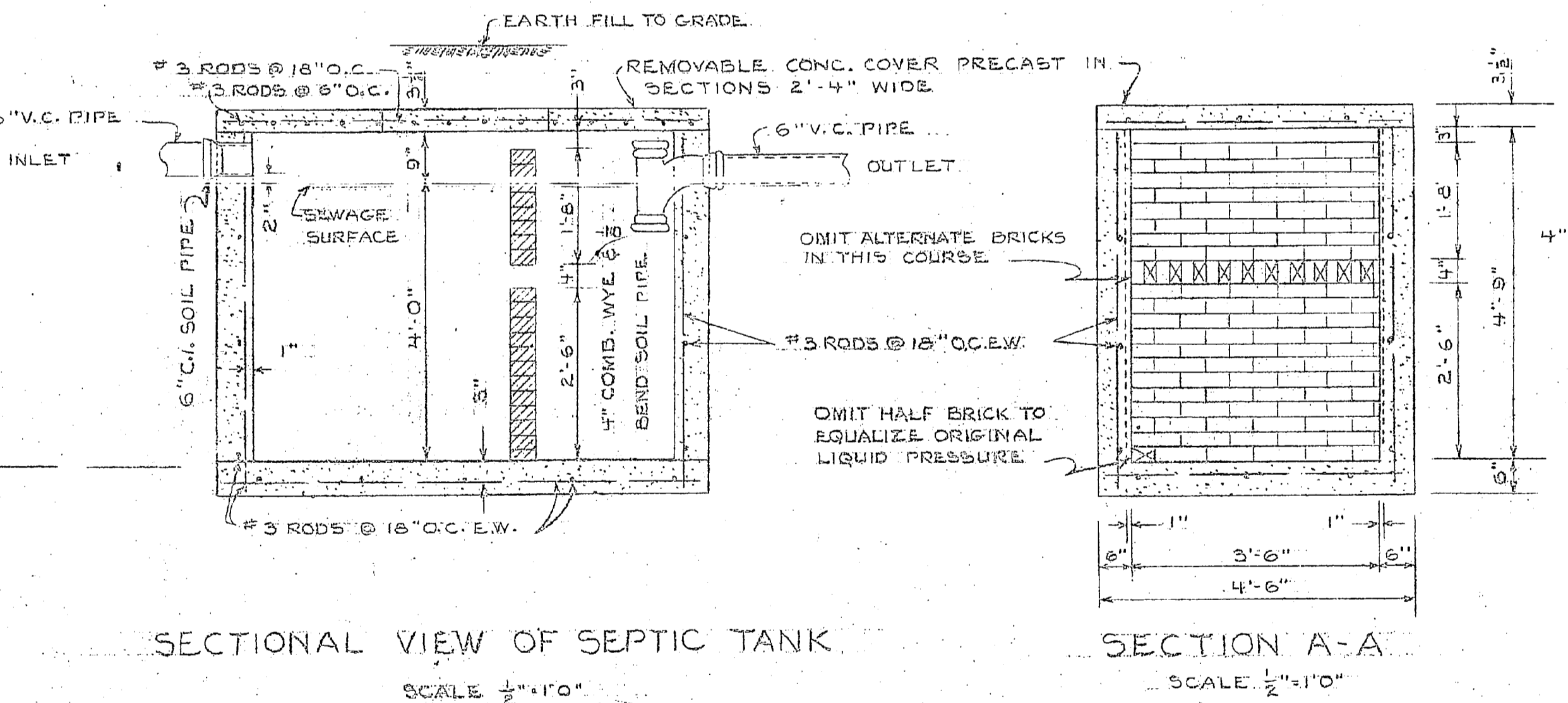


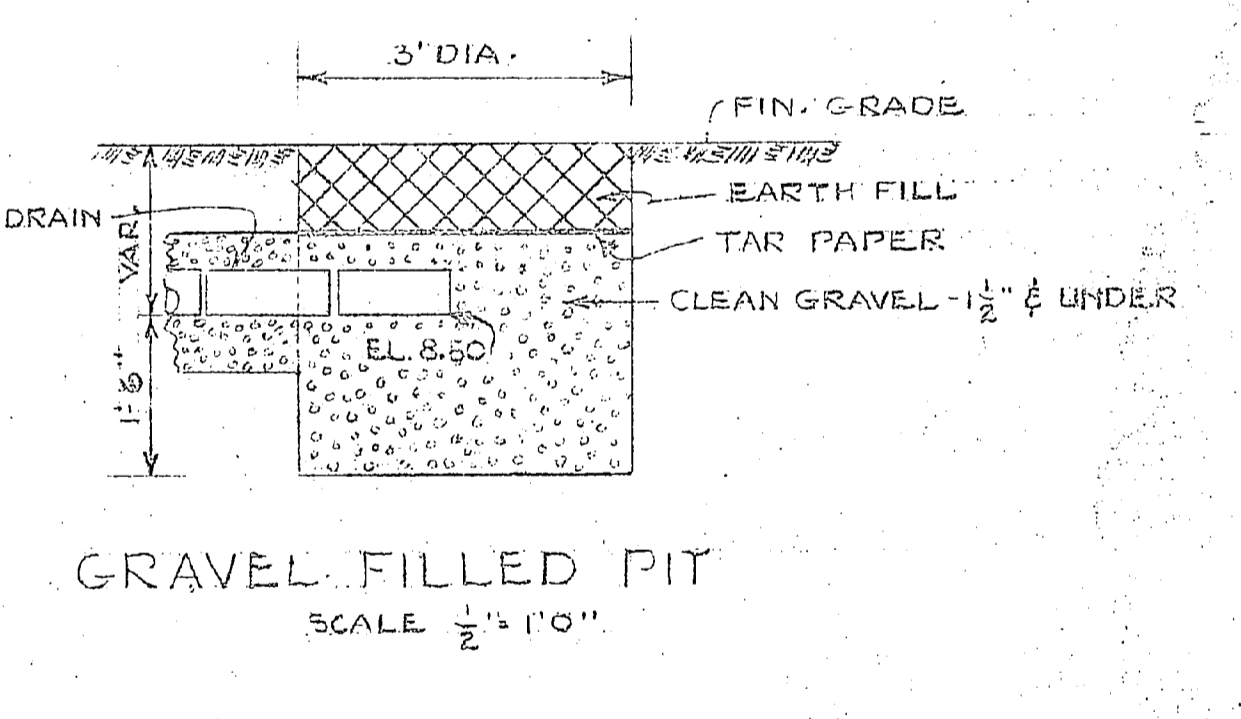
TYPICAL CHLORINATION MANHOLES
SCALE 1/2" = 1'-0"



SECTIONAL VIEW OF SEPTIC TANK
SCALE 1/2" = 1'-0"

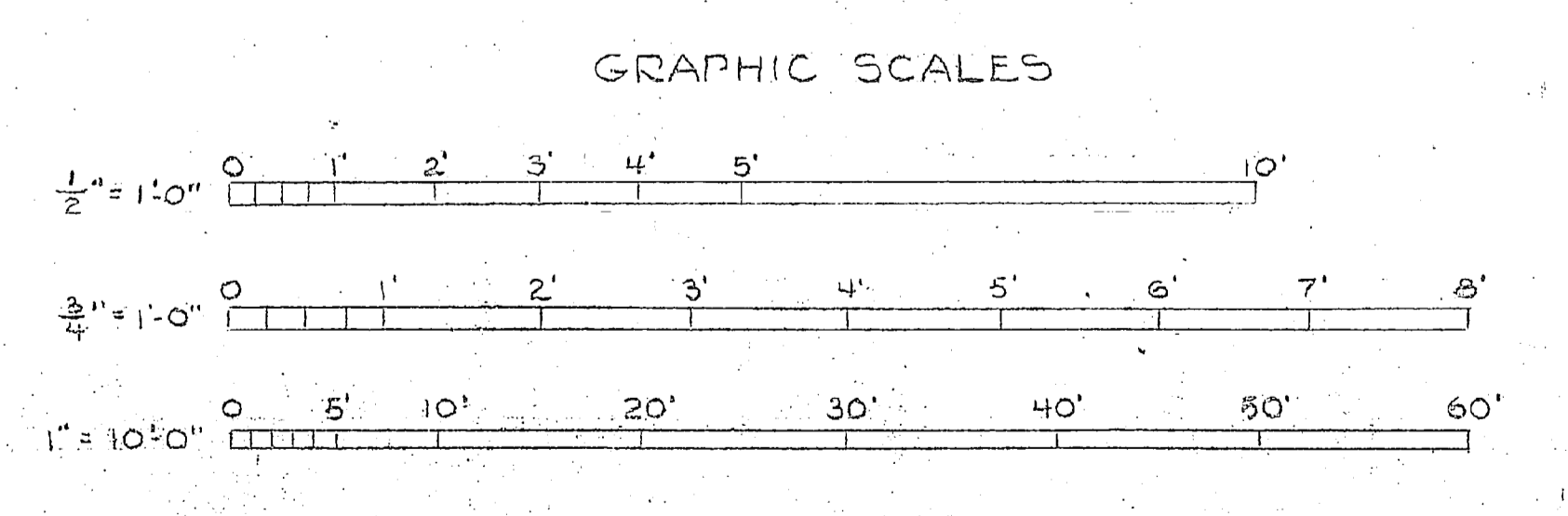


SECTIONS SHOWING TILE DRAIN IN TRENCH
SCALE 1/2" = 1'-0"



LEGEND

- (S) SAMPLING LINE
- (SW) SANITARY SEWER
- (SD) STORM DRAINAGE
- (TW) TREATED WATER
- (RW) RAW WATER LINE
- (CO) CLEAN OUT
- (BR) BRINE LINE
- (GV) GATE VALVE
- (HL) HYDRANT
- (CF) CHAIN LINK FENCE
- (GL) GASOLINE LINE
- (FL) FUEL OIL LINE
- (AS) ASPHALT PAVING
- (RC) REINFORCED CONC. PIPE
- (VC) VITRIFIED CLAY PIPE
- (CI) CAST IRON PIPE



NOTE: DIMENSIONS AND ELEVATIONS
WHICH SHOW ON DRAWINGS IN FIGURES
SHALL BE USED IN PREFERENCE TO SCALE
MEASUREMENTS.

SATISFACTORY TO MARINE BASE, CAMP LEJEUNE
DATE 2 Feb 36
COMMANDING GENERAL
THE QUARTERMASTER GENERAL OF THE MARINE CORPS

REVISION	DATE	APPD.	AS BUILT REVISION.	BY
A	1-13-36	APD		
PW DRAWING NO. 10532			MARINE CORPS BASE CAMP LEJEUNE, N. C.	
DES. 5077 DRWN. 728 TR. G. 211 CHK. 211 SUPV. 211 IN CHARGE. 211			WATER TREATMENT FACILITIES ONSLow BEACH	
SATISFACTORY TO			APPROVED FOR BUREAU OF YARDS & DOCKS	
DATE			DATE	
THE QUARTERMASTER GENERAL OF THE MARINE CORPS			DPWO FOR CHIEF OF BUREAU	
SCALE GRAPHIC			SPEC 49928	
SHEET 4 OF 17			NOV 25 1934	
Y & D DRAWING NO. 646732				

YARD PIPING PLAN
SCALE 1" = 10'-0"

