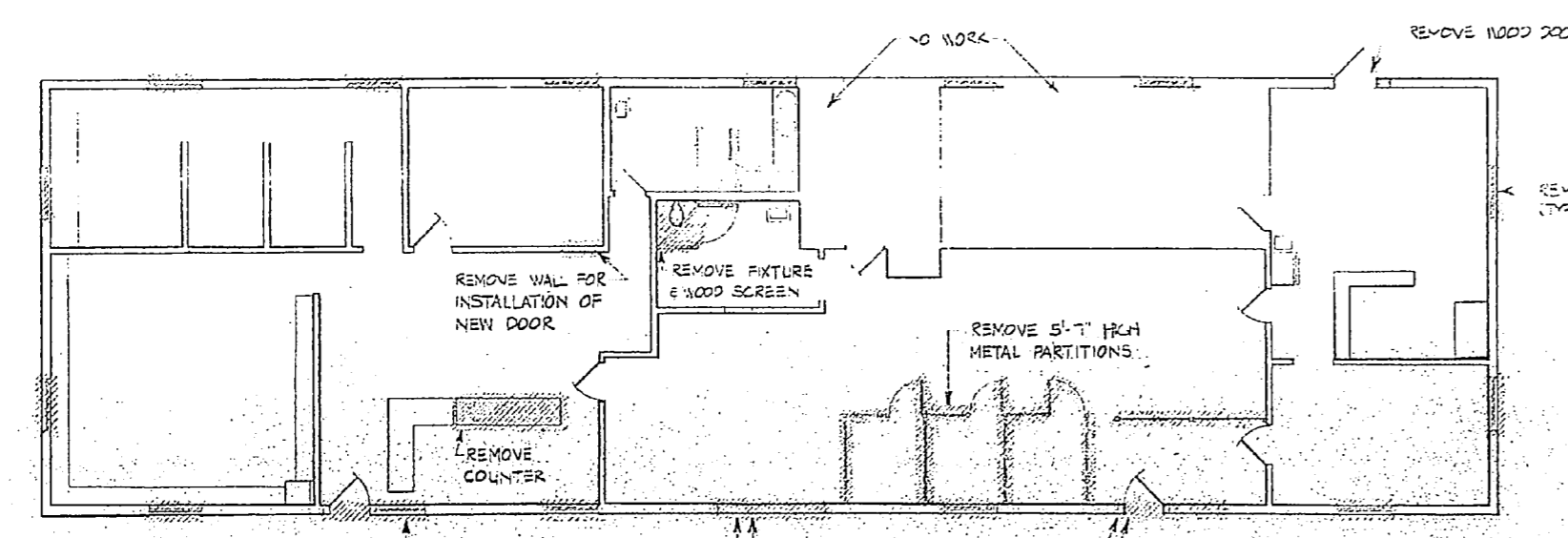
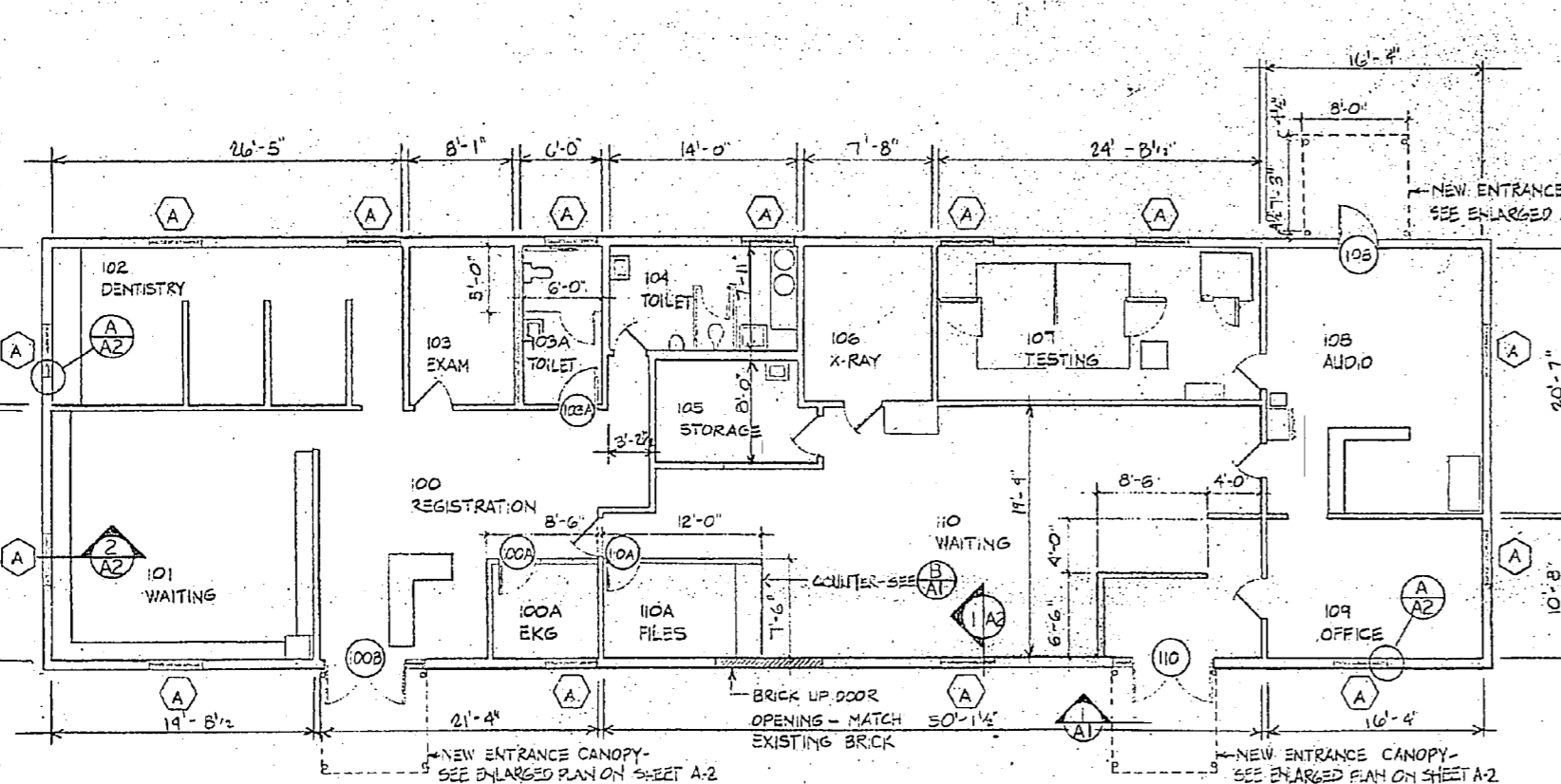


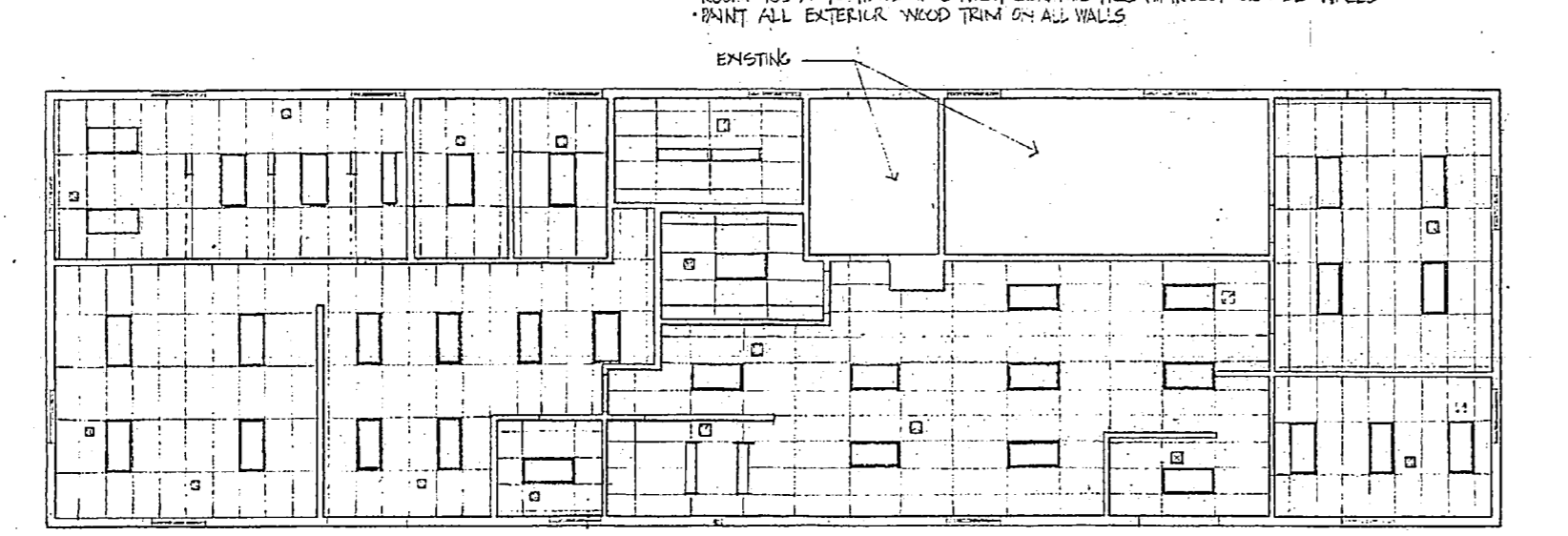
REVISIONS		
SYM	DESCRIPTION	DATE APPROVED



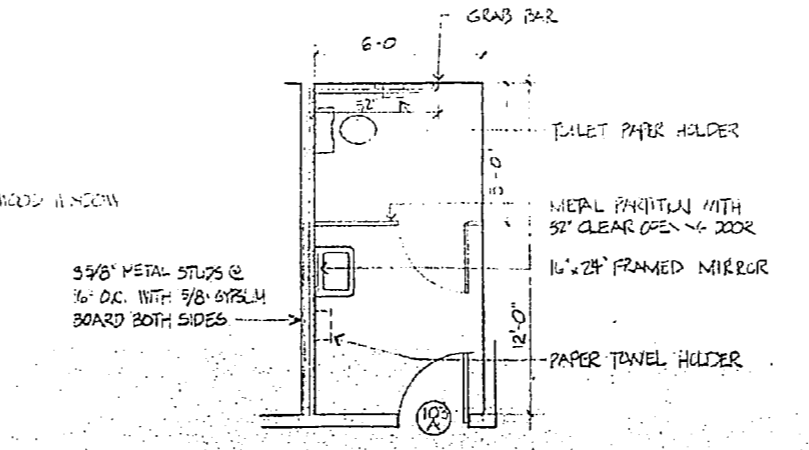
DEMOLITION PLAN
SCALE: 1/8" = 1'-0"



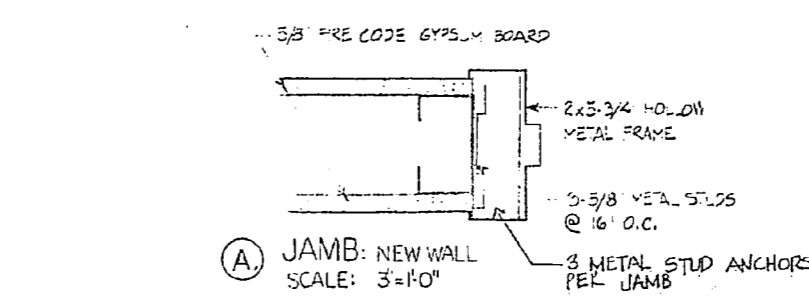
FLOOR PLAN
SCALE: 1/8" = 1'-0"



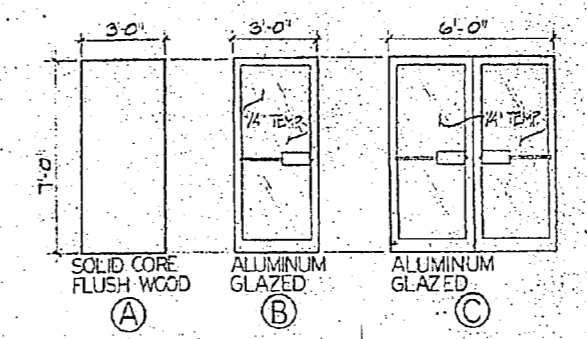
REFLECTED CEILING PLAN
SCALE: 1/8" = 1'-0"



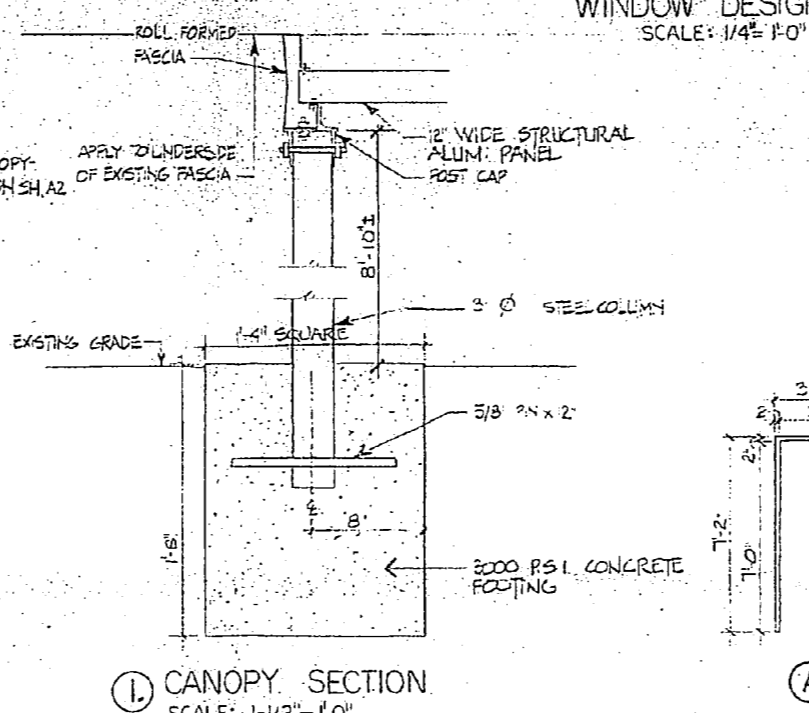
103A TOILET
SCALE: 1/4" = 1'-0"



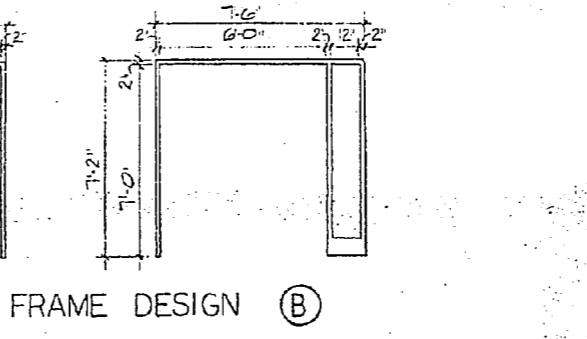
JAMB: NEW WALL
SCALE: 3" = 1'-0"



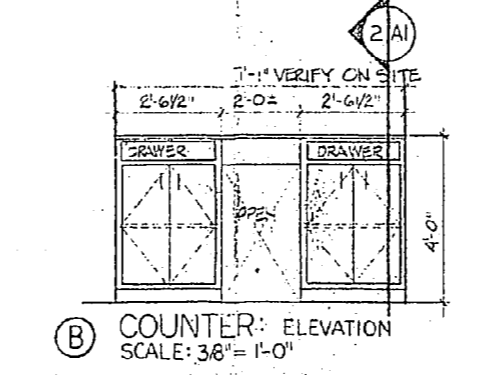
DOOR DESIGN
SCALE: 1/4" = 1'-0"



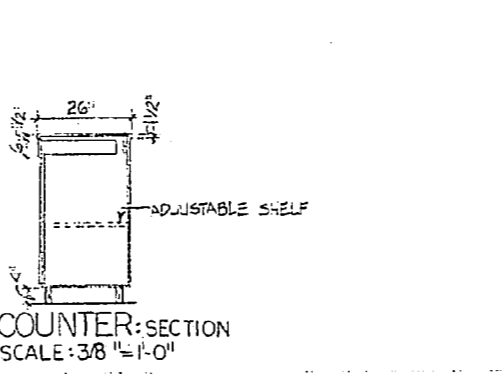
CANOPY SECTION
SCALE: 1-1/2" = 1'-0"



FRAME DESIGN



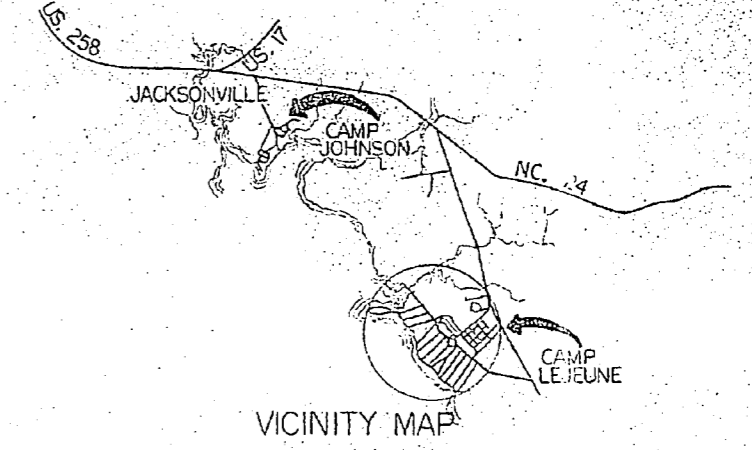
COUNTER: ELEVATION
SCALE: 3/8" = 1'-0"



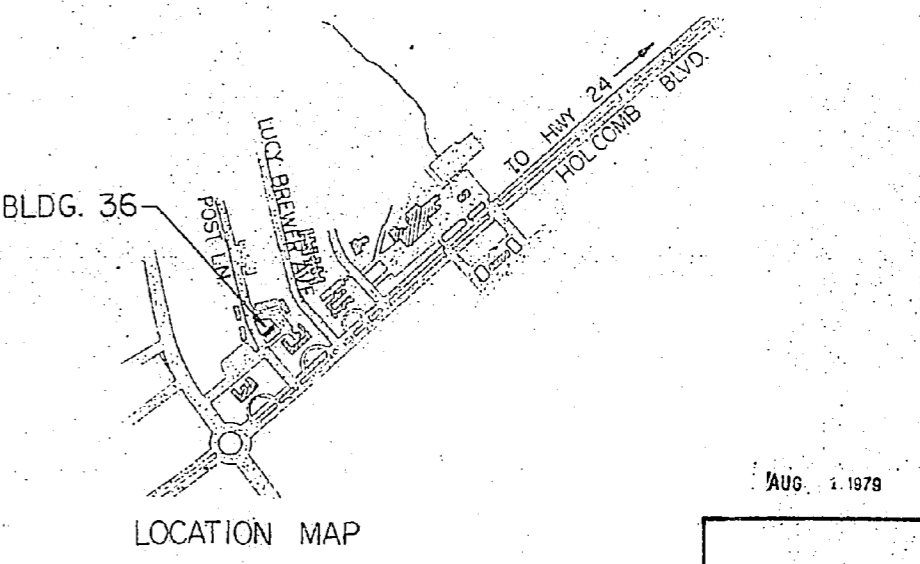
COUNTER: SECTION
SCALE: 3/8" = 1'-0"

DOOR NO.	DOOR				FRAME				FINISH	REMARKS
	SIZE	MAT	GLASS	MAT	TYPE	JAMB	HEAD	TAIL		
102A	2'-0" x 7'-0"	1-3/4" AL.	A	HM	A	A-A1	A-A1			
102B	2'-0" x 7'-0"	1-3/4" AL.	A	HM	B	E-A2	D-A2			
103A	2'-0" x 7'-0"	1-3/4" AL.	A	HM	A	E-A1	A-A1			101
103B	2'-0" x 7'-0"	1-3/4" AL.	A	HM	B	E-A2	A-A2			
110	2'-0" x 7'-0"	1-3/4" AL.	A	HM	B	E-A2	A-A2			
110A	2'-0" x 7'-0"	1-3/4" AL.	A	HM	A	A-A1	A-A1			102

ALL EXTERIOR DOORS ARE TO BE KEPT ALIVE - SEE SPECIFICATIONS FOR ALUM. SWINGING DOORS.



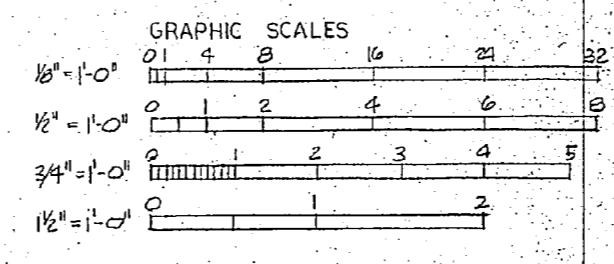
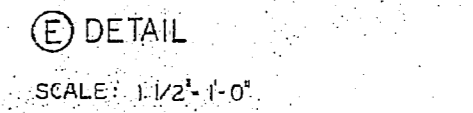
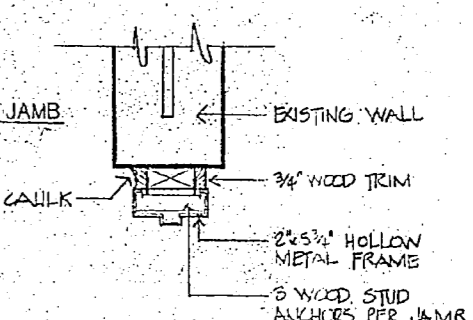
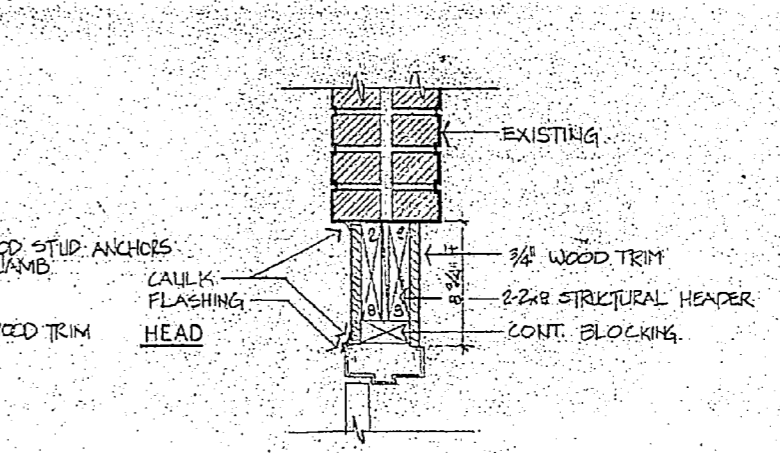
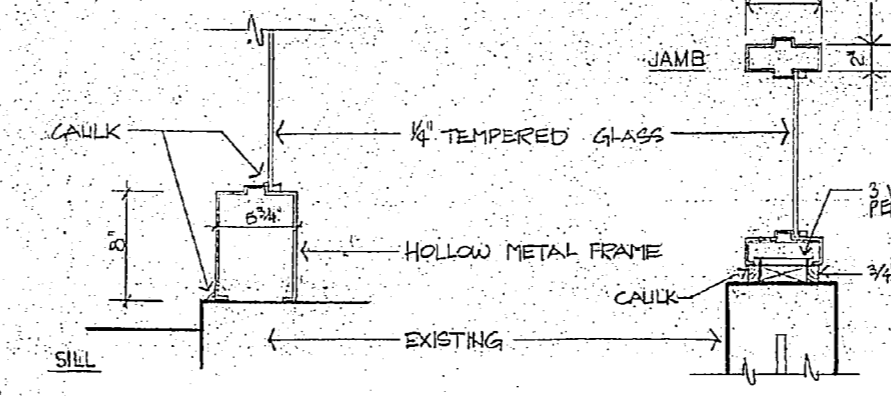
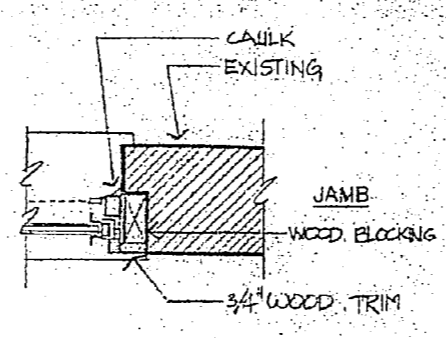
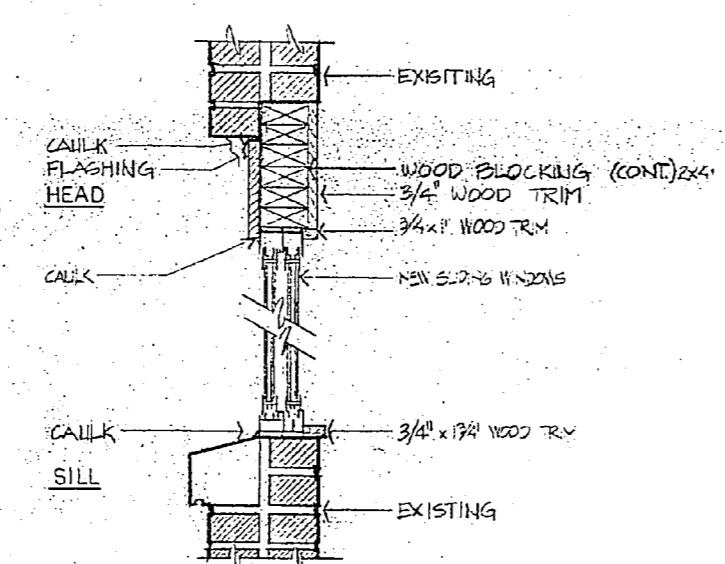
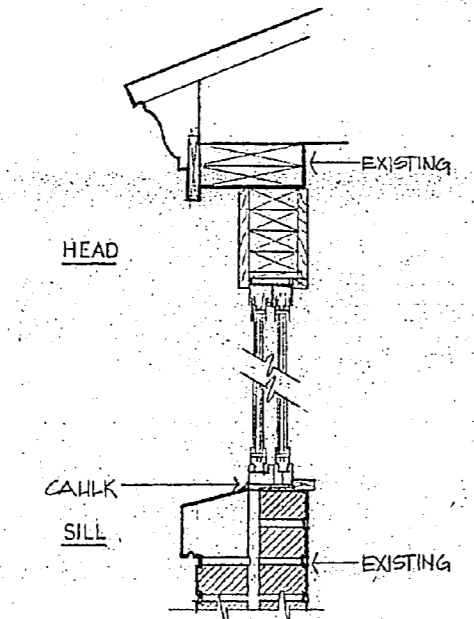
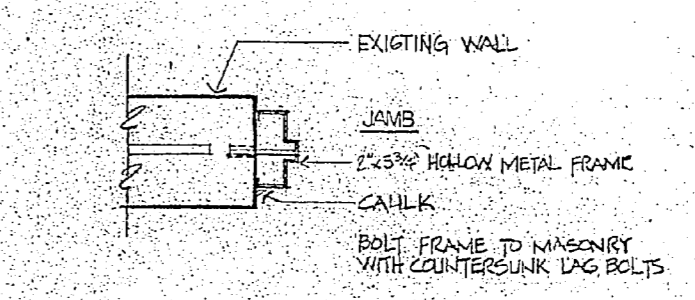
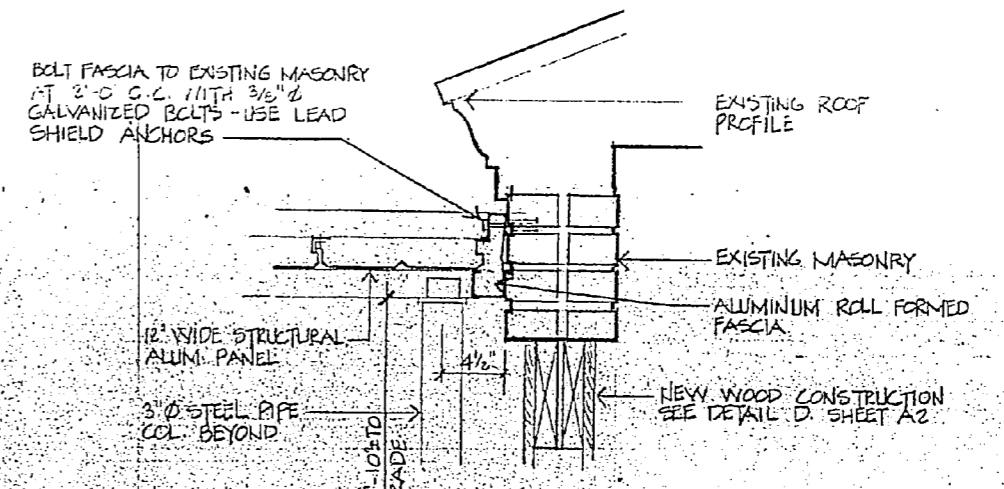
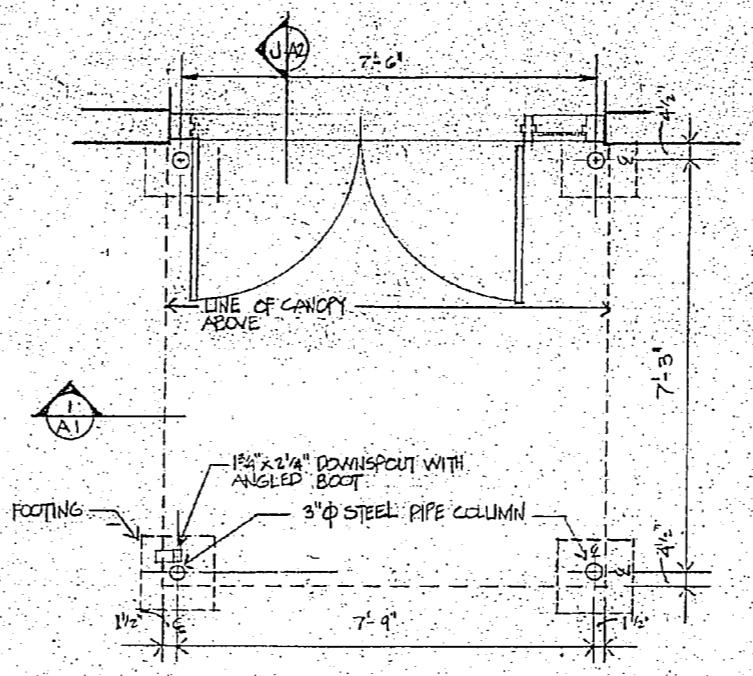
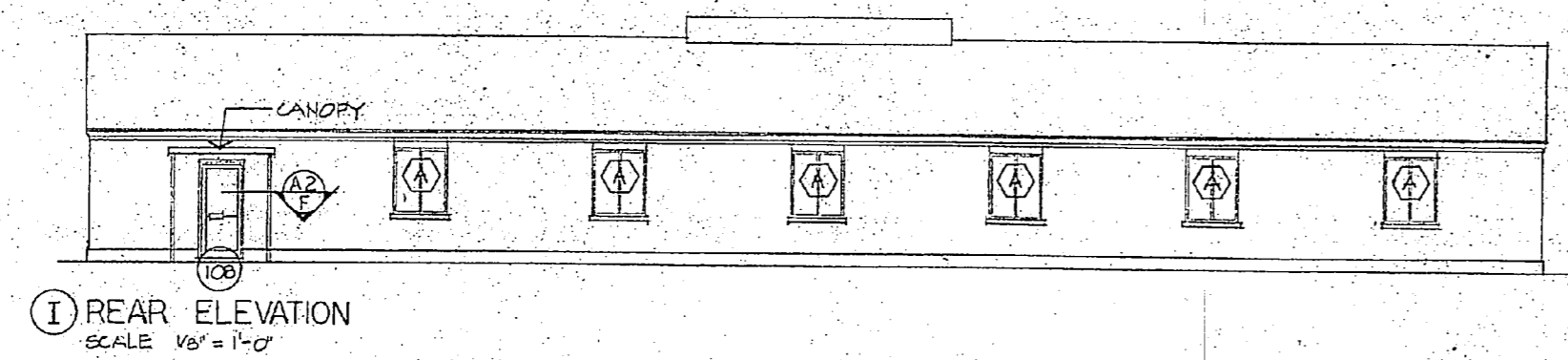
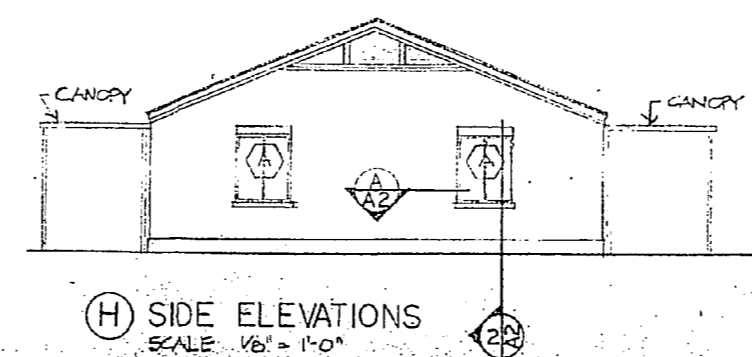
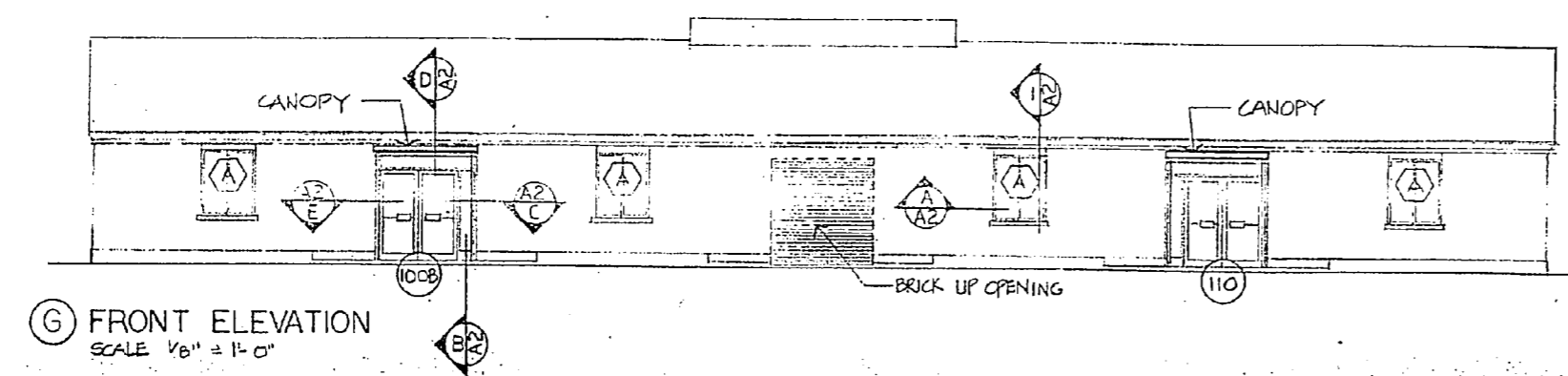
**REHABILITATE
PHYSICAL EXAM
BUILDING 36**
NAVAL REGIONAL MEDICAL CENTER
CAMP LEJEUNE, NORTH CAROLINA



ISLEY ARCHITECTS, INC. DURHAM, NORTH CAROLINA
 ATLANTIC DIVISION
 REHABILITATE PHYSICAL EXAM BUILDING 36
 NAVAL REGIONAL MEDICAL CENTER CAMP LEJEUNE, NORTH CAROLINA
 AUG. 1, 1978
 GRAPHIC SCALES: 1/8"=1'-0", 1/4"=1'-0", 3/8"=1'-0", 1/2"=1'-0", 3/4"=1'-0", 1"=1'-0"
 APPROVED: [Signature] DATE: [Date]
 OFFICER IN CHARGE: [Signature] DATE: [Date]
 FOR EPD FOR COMMANDER NAVSTA



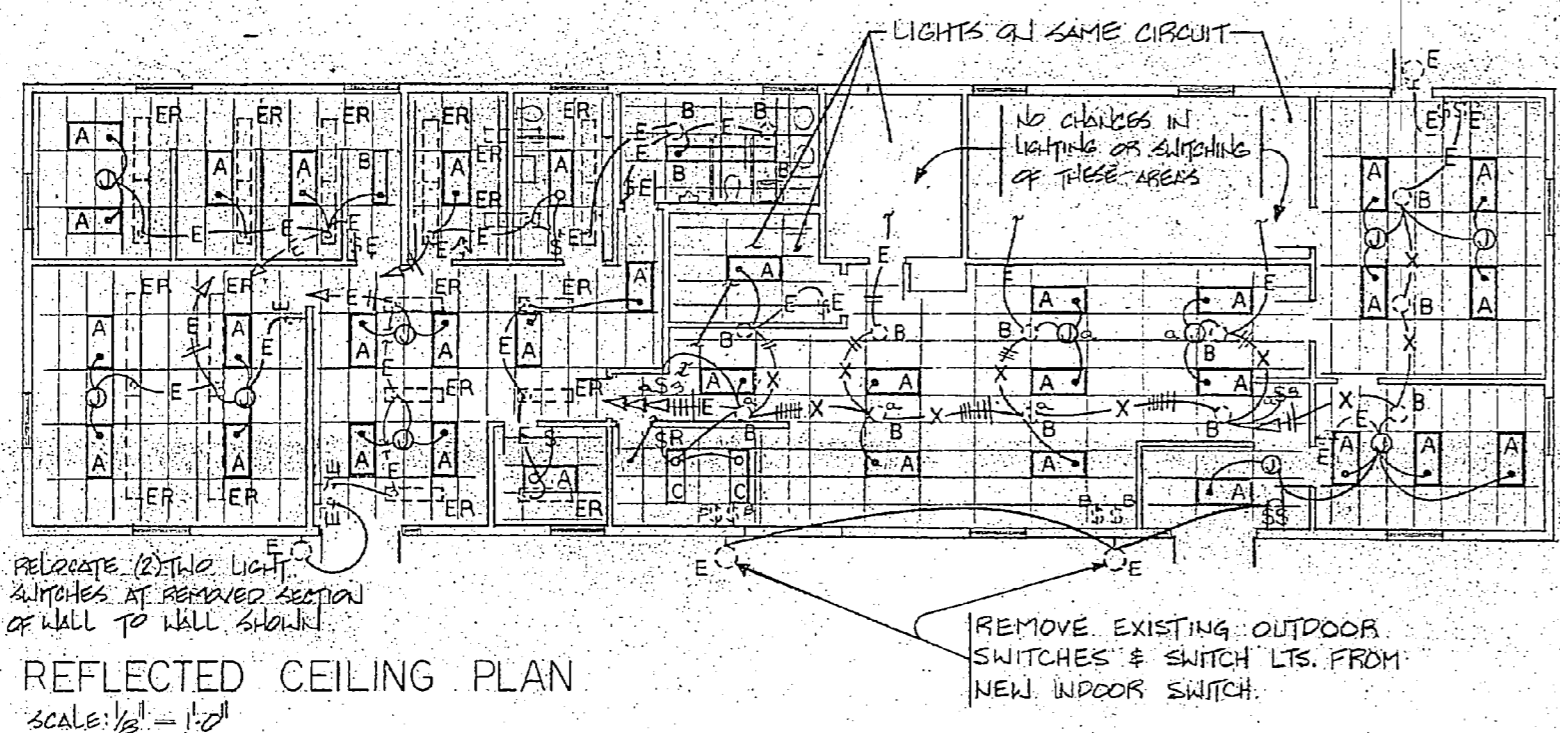
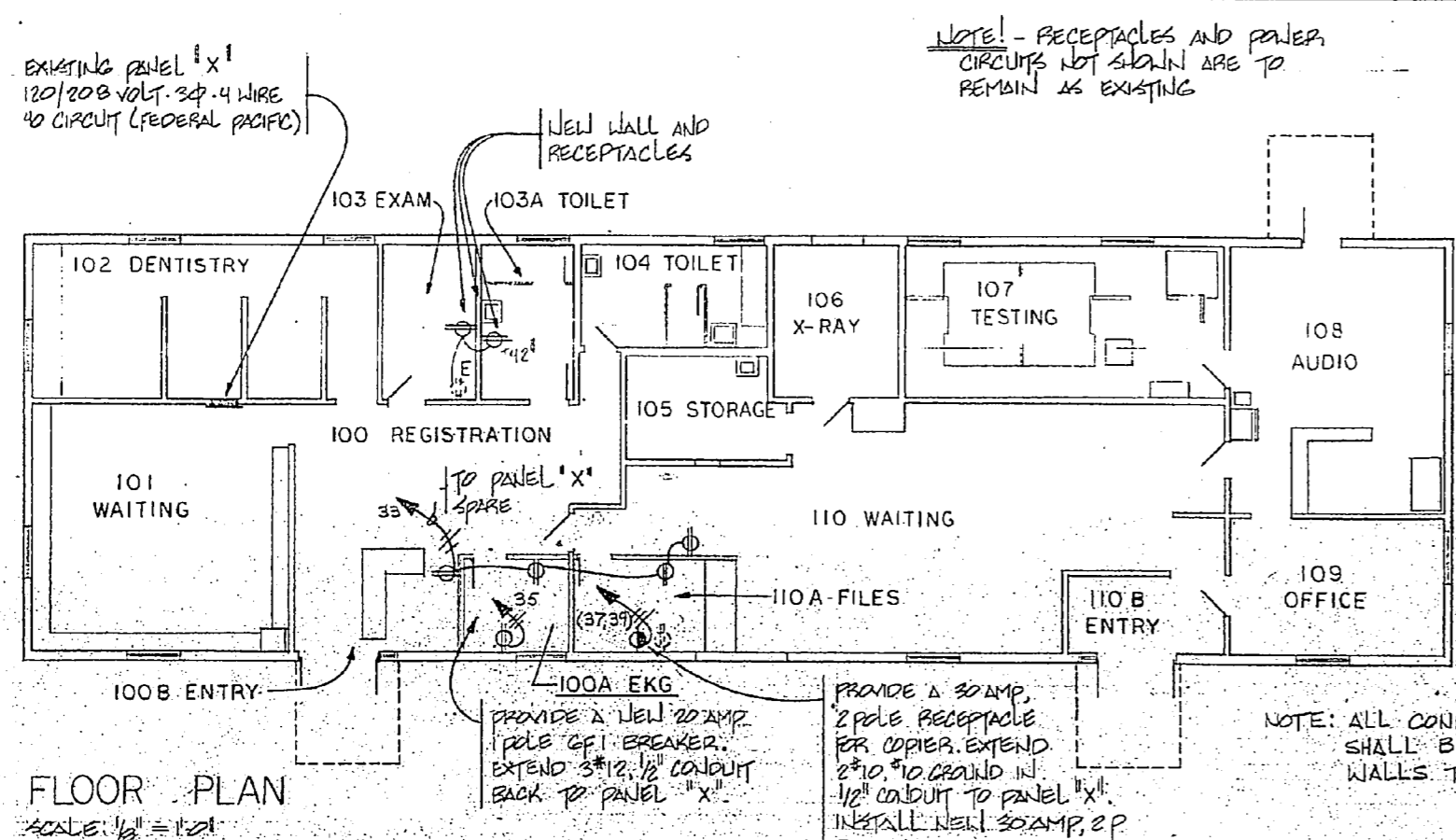
REVISIONS			
SYM	DESCRIPTION	DATE	APPROVED



ISLEY ARCHITECTS, INC. DURHAM, NORTH CAROLINA PROJ. NO. 72-11 CH. 241 SUBMITTED BY: TIMOTHY C. HOPE DATE: 11/21/74 TITLE: REPAIR APPROVED: [Signature] DATE: [Date] FOR: EFD FOR COMMANDER NAVFAC	DEPARTMENT OF THE NAVY ATLANTIC DIVISION NAVAL STATION NORFOLK, VIRGINIA
	REHABILITATE PHYSICAL EXAM BUILDING 36 NAVAL REGIONAL MEDICAL CENTER CAMP LEJEUNE, NORTH CAROLINA
ELEVATIONS & DETAILS NAVFAC DRAWING NO. 408617 CONSTR. CONTR. NO. N62470-75-B-2670	SCALE: SPEC. 05-79-2670 SHEET 22 OF 2 EFD DWG. NO.





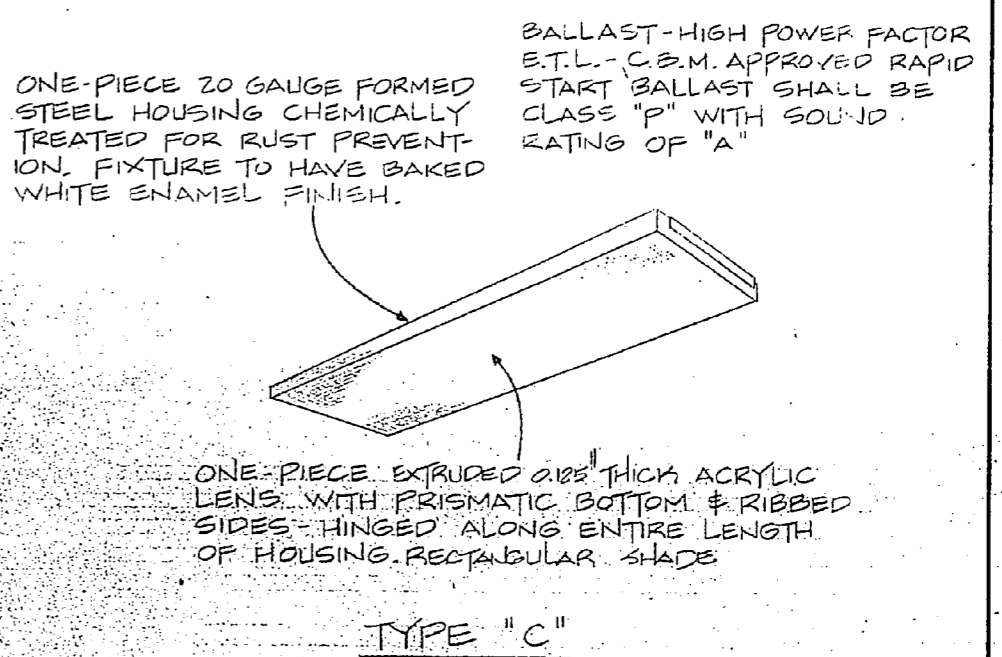


ELECTRICAL SYMBOL SCHEDULE

⊙ B	EXISTING LIGHT FIXTURE TO BE BLANKED OFF, PROVIDE EXTENSION & EXTEND NEW WIRING WHERE SHOWN.
⊙ E	EXISTING LIGHT FIXTURE TO REMAIN.
⊕ E	EXISTING LIGHT SWITCH TO BE RE-USED.
⊕ R	EXISTING LIGHT SWITCH TO BE RELOCATED.
⊕	NEW LIGHT SWITCH, SINGLE POLE MOUNTED 48" ABOVE FINISH FLOOR TO TOP OF PLATE.
⊕ J	EXISTING LIGHT JUNCTION, FLEX TO LIGHT FIXTURE.
X	EXISTING CONDUIT TO BE RE-USED, PULL NEW WIRE.
← E	EXISTING CONDUIT AND WIRE TO BE RE-USED.
← E →	EXISTING HOME RUN TO PANEL - HATCH MARKS INDICATE THE NUMBER OF WIRES IN CONDUIT.
← E →	NEW HOME RUN TO PANEL - HATCH MARKS INDICATE THE NUMBER OF WIRES IN CONDUIT.
⊕ J	EXISTING FIXTURE TO BE REMOVED, TURN OVER TO OWNER.
⊕	NEW JUNCTION BOX.
⊕	NEW DUPLEX RECEPTACLE MOUNTED 18" ABOVE FINISH PL. UNLESS OTHERWISE NOTED.
⊕	NEW DUPLEX RECEPTACLE - 240 VOLT, 20 AMP, 2 POLE MOUNTED 18" ABOVE FINISH FLOOR UNLESS OTHERWISE NOTED.
⊕ E	EXISTING RECEPTACLE TO REMAIN, PROVIDE A BOX EXTENSION AND EXTEND TO RECEPTACLES AT NEW WALL.
⊕	EXISTING SWITCH RELOCATED AND OUTLET BLANKED.
⊕	NEW LIGHT SWITCH, 3-WAY MOUNTED 48" A.F.F. TO TOP OF PLATE.

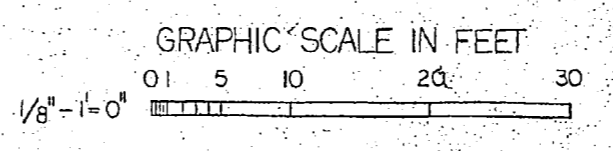
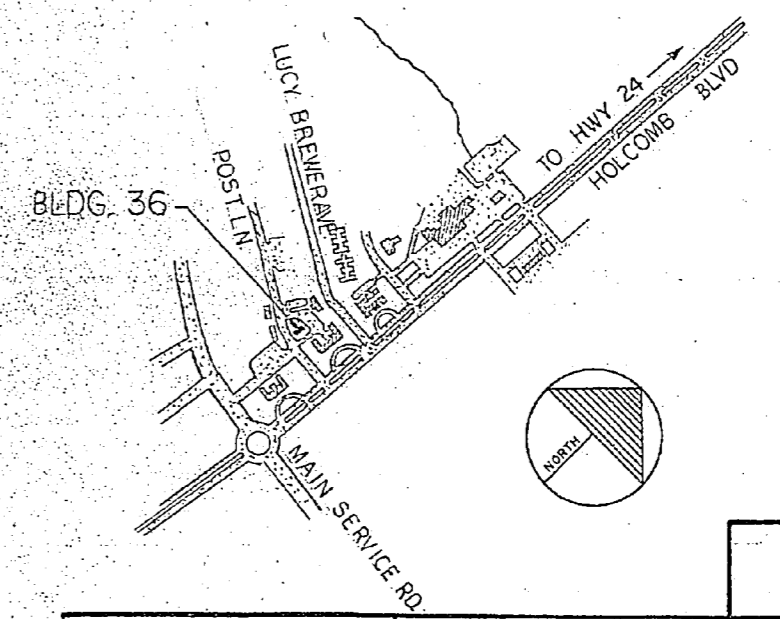
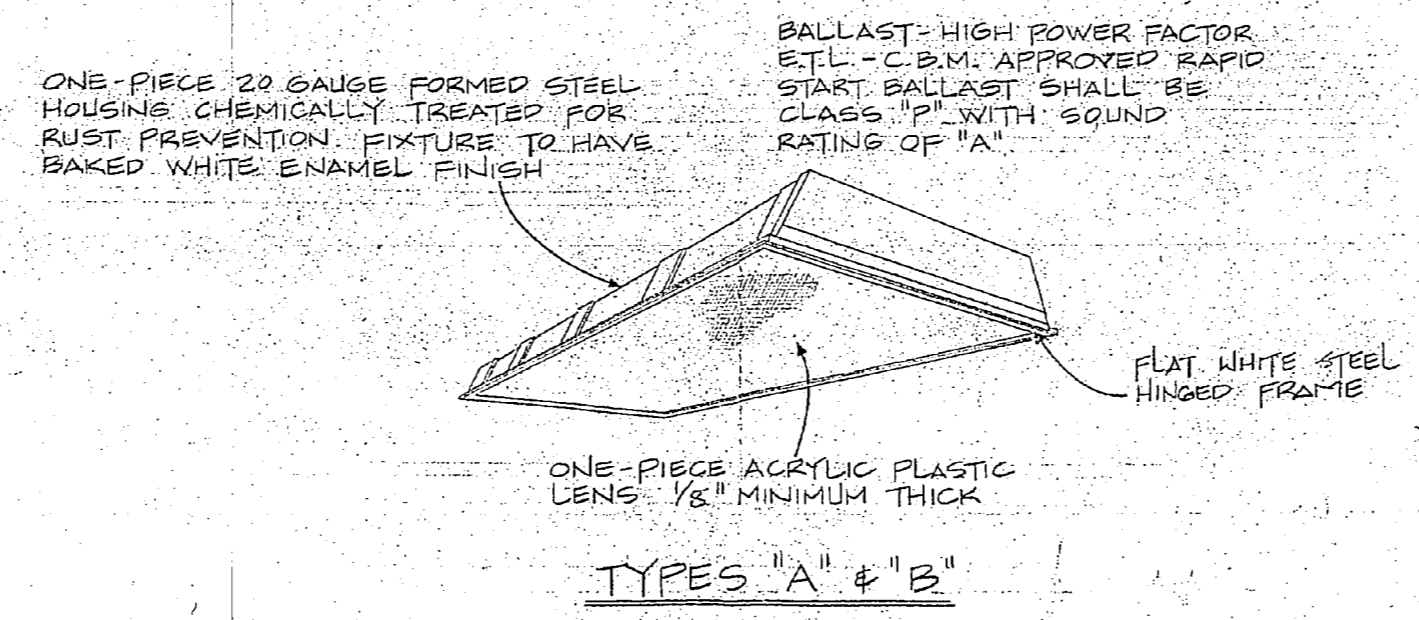
REVISIONS

SYM	DESCRIPTION	DATE	APPROVED



LIGHTING FIXTURE SCHEDULE

FIXTURE SYMBOL	MANUFACTURER & CATALOG NUMBER	NO. & TYPE OF LAMPS	TOTAL WATTS	VOLTAGE RATING	TYPE OF LENS OR DIFFUSER	MOUNTING	REMARKS
A	WESTINGHOUSE #SF3-564424-TOPA WAKEFIELD #TH-4246-55 LITHONIA #G-240-A12	(4) 40W RS	200	120V	CLEAR 100% VIRGIN ACRYLIC BALLASTS PRISMATIC	RECESSED	
B	WESTINGHOUSE #SF2-562414-TOPA WAKEFIELD #TH-2146-55 LITHONIA #G-240-A12	(2) 40W RS	100	120V	CLEAR 100% VIRGIN ACRYLIC BALLAST PRISMATIC	RECESSED	
C	WESTINGHOUSE #WE-440A WAKEFIELD #S-424-55 LITHONIA #LB-440-A	(4) 40W RS	200	120V	EXTRUDED PRISMATIC ACRYLIC BALLASTS 1/8" THICK MINIMUM	SURFACE	



ISLEY ARCHITECTS, INC.
DURHAM, NORTH CAROLINA

ATLANTIC DIVISION
NAVAL STATION
REHABILITATE PHYSICAL EXAM BUILDING 36
NAVAL REGIONAL MEDICAL CENTER
CAMP LEJEUNE, NORTH CAROLINA

ELECTRICAL

APPROVED: _____ DATE: _____

OFFICER IN CHARGE: _____ DATE: _____

APPROVED: _____ DATE: _____

FOR EPD FOR COMMANDER NAVFAC

NAVFAC DRAWING NO. 4036619

CONSTR. CONTR. NO. NC2470-79-B-2670

SHEET E-1 OF 1

EPD: G.W.G. NO.

