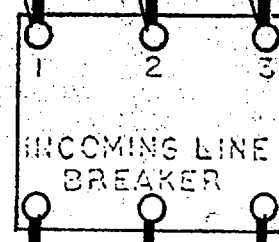
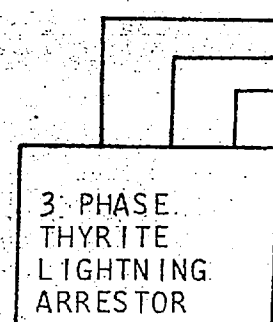


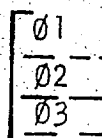
CUSTOMER'S INCOMING LINE (NORMAL POWER)



TO HORIZONTAL BUS

UNIT 1D

EMERGENCY POWER INPUT



AUTOMATIC TRANSFER SWITCH

UNIT 1M

NEMA TYPE 'A' OR 'B' INCOMING LINE BREAKER OR SWITCH & FUSE

WESTINGHOUSE ELECTRIC CORPORATION

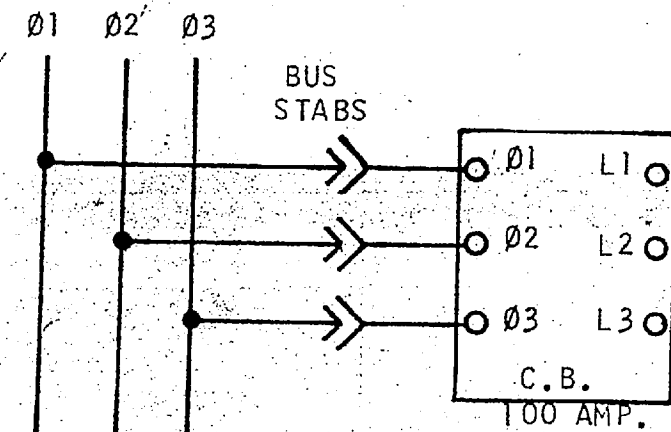
MOTOR CONTROL CENTER - TYPE W - STANDARD UNIT WIRING DIAGRAM

L.V.D.E. DIVISION

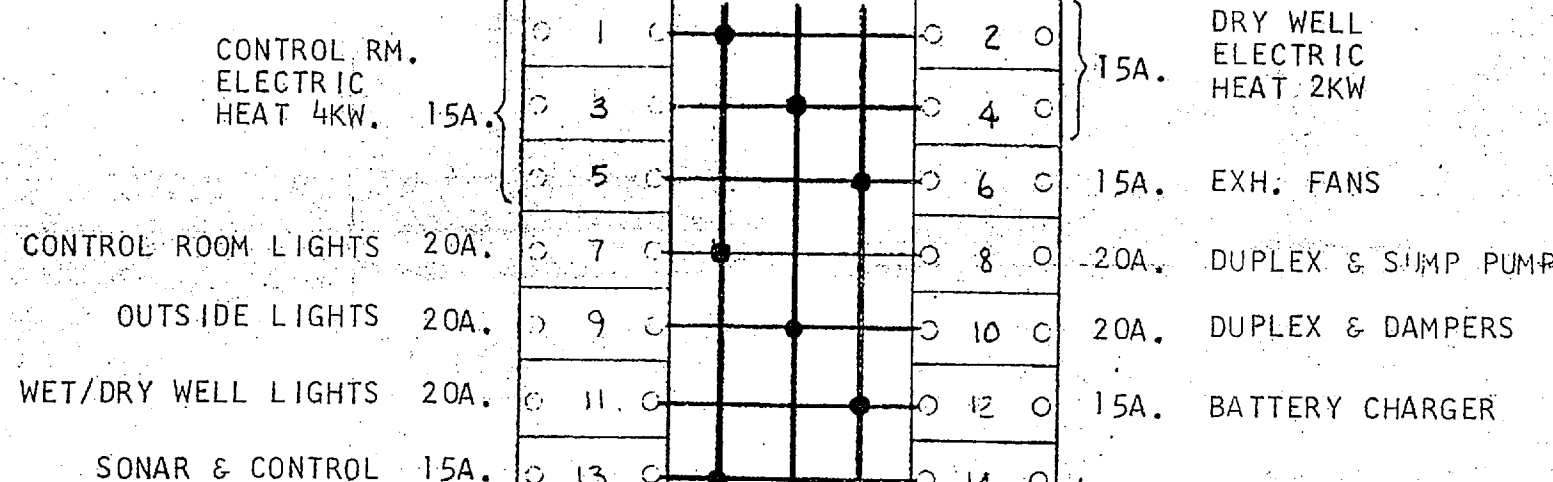
CHICAGO, ILL.

MODIFIED BY SECO 2291A11

REV.	CO. NO.	DATE	DESCRIPTION	CHK.	APP.
A	3723	8/7/75	RELEASED		
B	HJG	3-4-76	ADD CR 3-4-5		

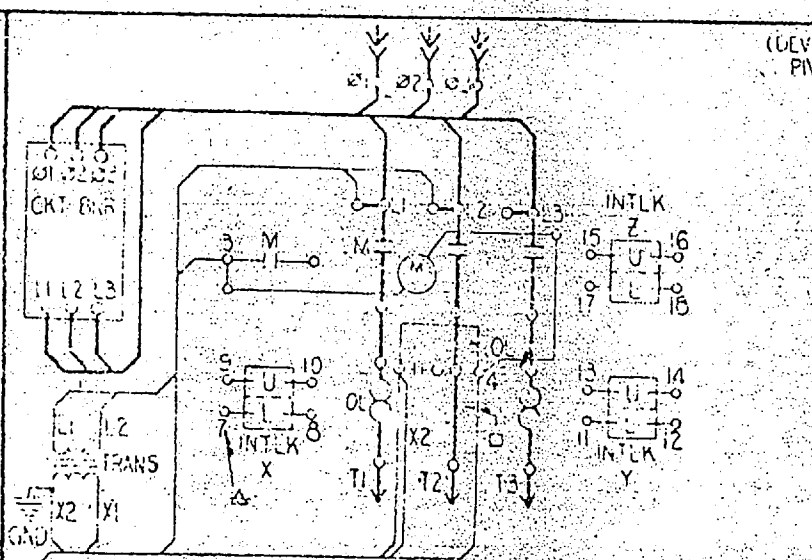
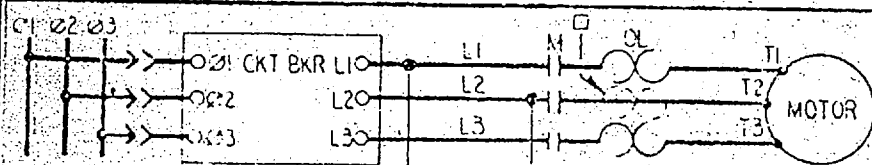


UNIT 2H



TO 100A. BREAKER

18 CIRCUIT PANELBOARD UNIT 2M



(DEVICE PANEL SHOWN PIVOTED DOWN)

UNITS 2B, 2D, 2F

SCHEMATIC

CONNECTION

NOTES FOR TYPE 'A' WIRING

NOTES FOR TYPE 'B' WIRING

\* TERMINAL BLOCKS NOT FURNISHED. CONTROL FUSE FURNISHED.  
 ⊕ CONNECT TERMINAL POINT '1A' ON SELECTOR SWITCH TO TERMINAL POINT '1' ON FUSE.  
 ⊕ WHEN LIGHT 'L2' IS FURNISHED INSTALL JUMPER FROM TERMINAL '1' ON FUSE TO TERMINAL '1' ON INTERLOCK.

⊕ CUSTOMER SHOULD REMOVE JUMPER '1' TO '1A' WHEN REQUIRED FOR REMOTE CONTROL.  
 \* WHEN LIGHT 'L2' IS FURNISHED INSTALL JUMPER FROM TERMINAL BLOCK '1' TO '1A'.

GENERAL NOTES FOR BOTH TYPE 'A' AND 'B' WIRING

⊕ CONTROL DEVICES AND INTERLOCKS ARE FURNISHED PER COMBINATION LISTED IN THE CONNECTION DIAGRAM COLUMN OF THE UNIT SPECIFICATION SHEET.  
 ⊕ THIRD OIL BREAKER IS PROVIDED ONLY WHEN REQUIRED BY UNIT SPECIFICATION SHEET.

COMBINATION	CONTROL DEVICES		WIRING COMBINATION		CONNECTION POSITION	
	L2	L1	SEL SW 1 POS	SEL SW 2 POS	INTLK	OFF
1						
2						
3						
4						
5						
6						
7						
8						
9						
10						
11						
12						
13						
14						
15						
16						
17						
18						

COMBINATION STARTER

WESTINGHOUSE ELECTRIC CORPORATION

FULL VOLTAGE NON-REVERSING

NEMA SIZE 1-2-3-4

MOTOR CONTROL CENTER - TYPE W - STANDARD UNIT WIRING DIAGRAM

L.V.D.E. DIVISION

CHICAGO, ILL.

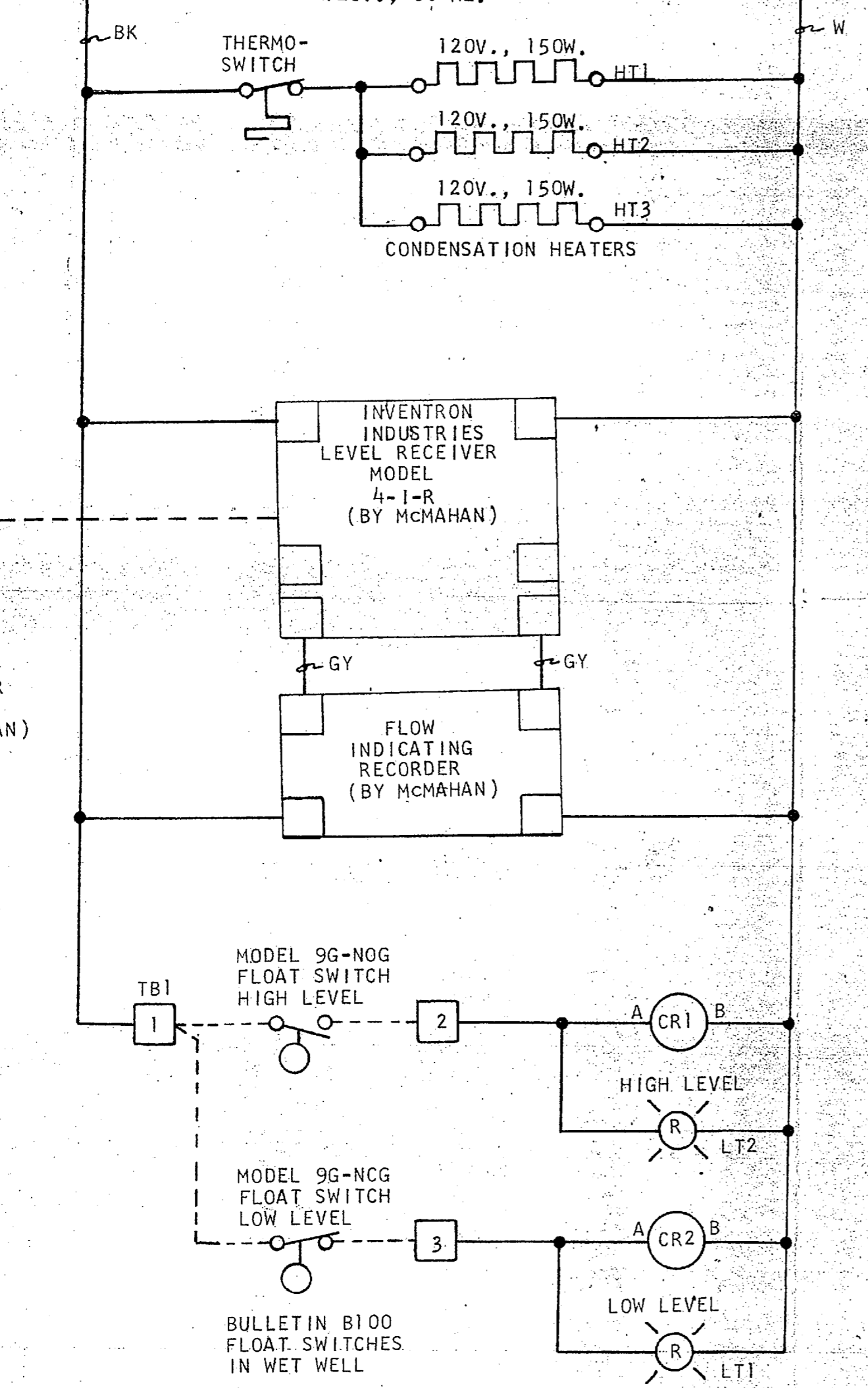
2289A131

TITLE: WIRING DIAGRAM, M.C.C. FOR NEW RIVER SEWAGE PUMP STATION		S.O. ITEM "D"	
SHOP ORDER: 15726	JOB NAME: JACKSONVILLE, N.C.	MATERIAL	
<b>CONSOLIDATED ELECTRIC COMPANY</b> 141 SOUTH LAFAYETTE ROAD • ST. PAUL, MINN. 55107		FINISH PAGE 1 OF 2	
TOLERANCES: UNLESS OTHERWISE SPECIFIED: TWO PLACE DEC. ± .010. THREE PLACE DEC. ± .005. FRACTIONS ± 1/64. ANGULAR.		DO NOT SCALE	DESIGNED: T.W.M. DRAWN: H.J.G. DATE: 7-30-75 CHECKED: <i>[Signature]</i>
DRAWING NO. 902062-01		REV. B	

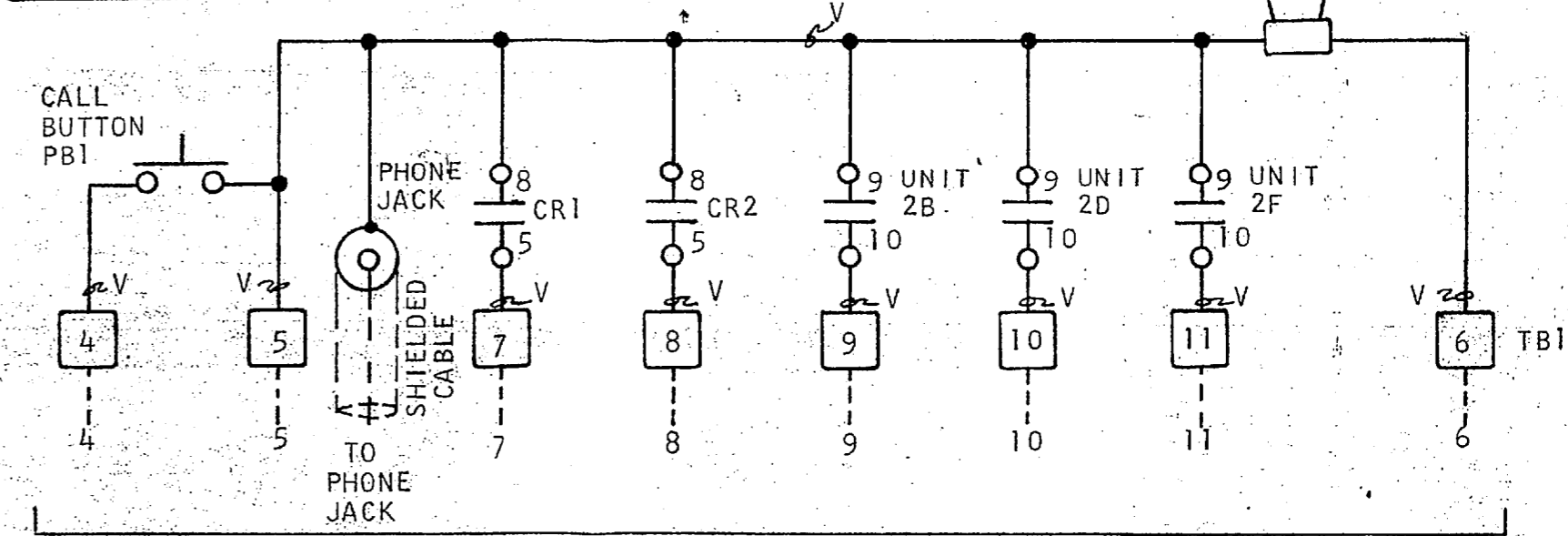
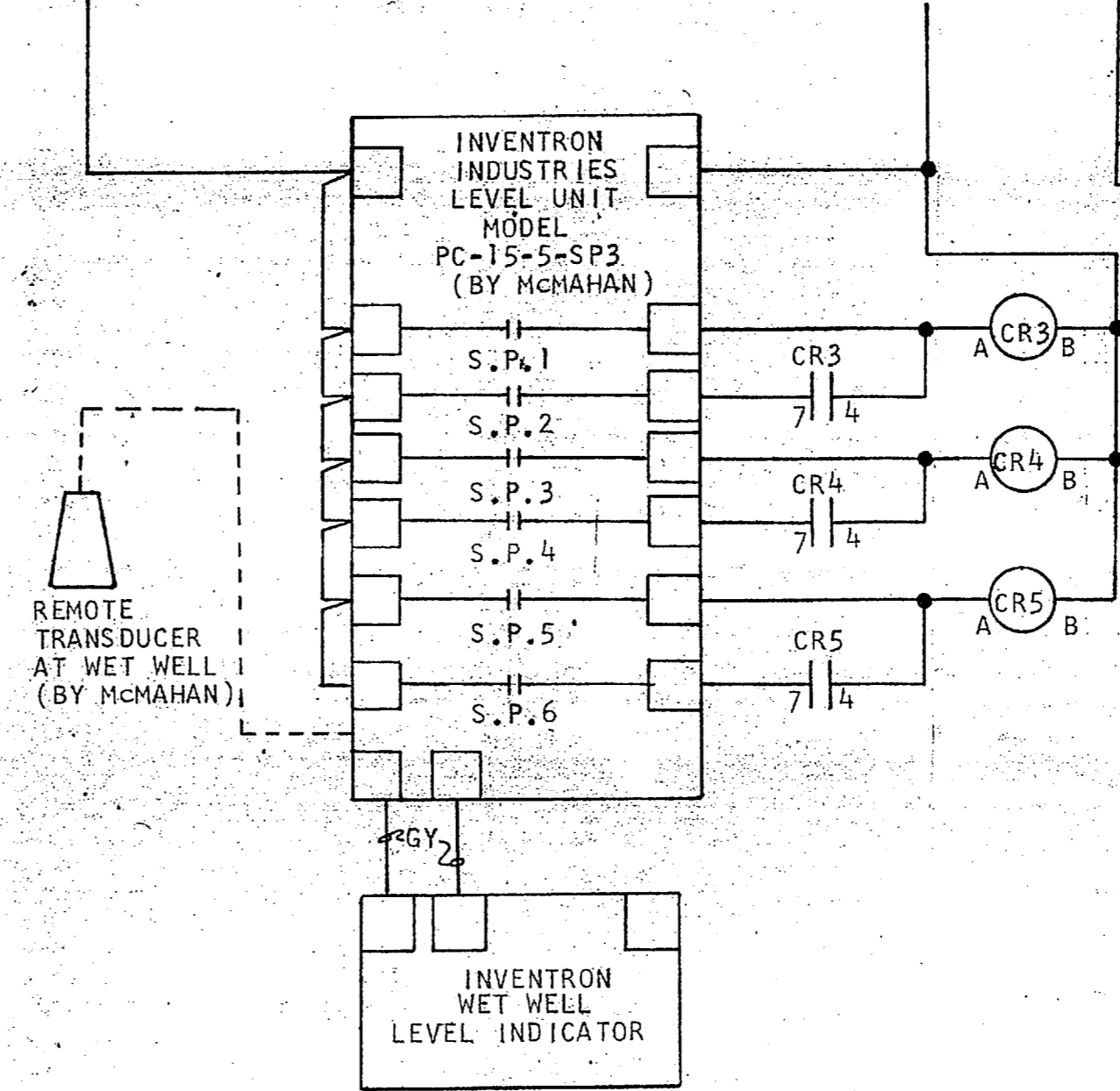


REV	C.O. NO.	DATE	DESCRIPTION	CHK	APR
A	3723	7/7/55	RELEASED		
B	HJG	3-4-76	ADD CR3-4-5		

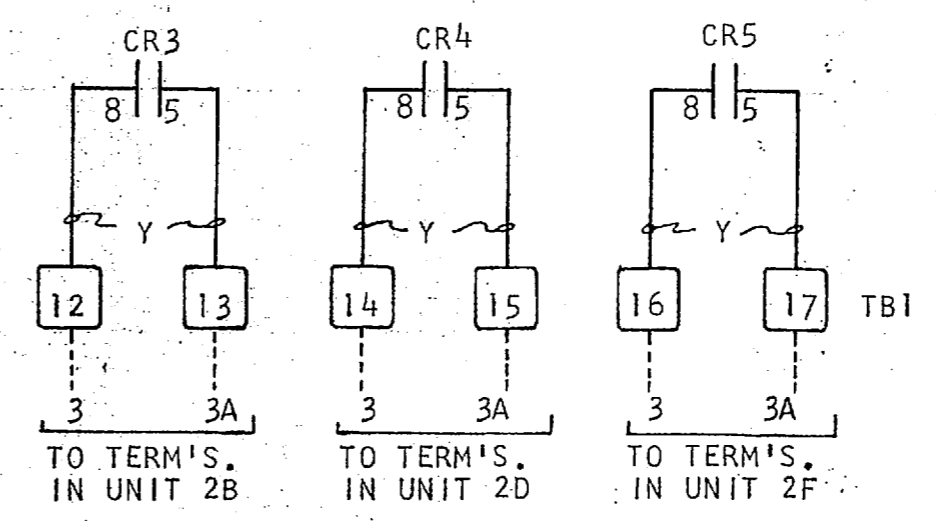
PANELBOARD CIRCUIT #13 IN UNIT 2M



PANELBOARD CKT. #13



WIRING (BY OTHERS) TO ANNUNCIATOR PANEL SHOP ORDER ITEM "J" AT GEIGER S.T.P.



5. FOR PARTS LIST SEE 201892-01.
4. GROUNDING LUG TO BE GROUNDED BY CUSTOMER AS PER N.E.C.
3. WIRE COLOR ABBREVIATIONS:  
 BLACK-BK      GRAY-GY  
 WHITE-W        BROWN-BR  
 ORANGE-OR    BLUE-BU  
 YELLOW-Y      VIOLET-V  
 RED-R          PINK-P  
 GREEN-GN
2. ALL WIRING IS RED UNLESS NOTED.  
 ALL RED WIRING IS 16 GA. AND  
 ALL ELSE IS 14 GA.
1. ALL DASHED WIRING IS DONE BY OTHERS.

TITLE: WIRING DIAGRAM, M.C.C. FOR NEW RIVER SEWAGE PUMP STATION		S.O. ITEM "D"	
SHOP ORDER 15726	JOB NAME JACKSONVILLE, N.C.		
<b>CONSOLIDATED ELECTRIC COMPANY</b> 141 SOUTH LAFAYETTE ROAD • ST. PAUL, MINN. 55107		PAGE 2 OF 2	
TOLERANCES UNLESS OTHERWISE SPECIFIED: TWO PLACE DEC. 1, 010, THREE PLACE DEC. 1, 005 FRACTIONS 1/64 ANGULAR.	DO NOT SCALE	DESIGNED TWM DRAWN HJG 7/25/75 DATE 7-30-75 CHECKED	DRAWING NO. 902062-01 REV. B

