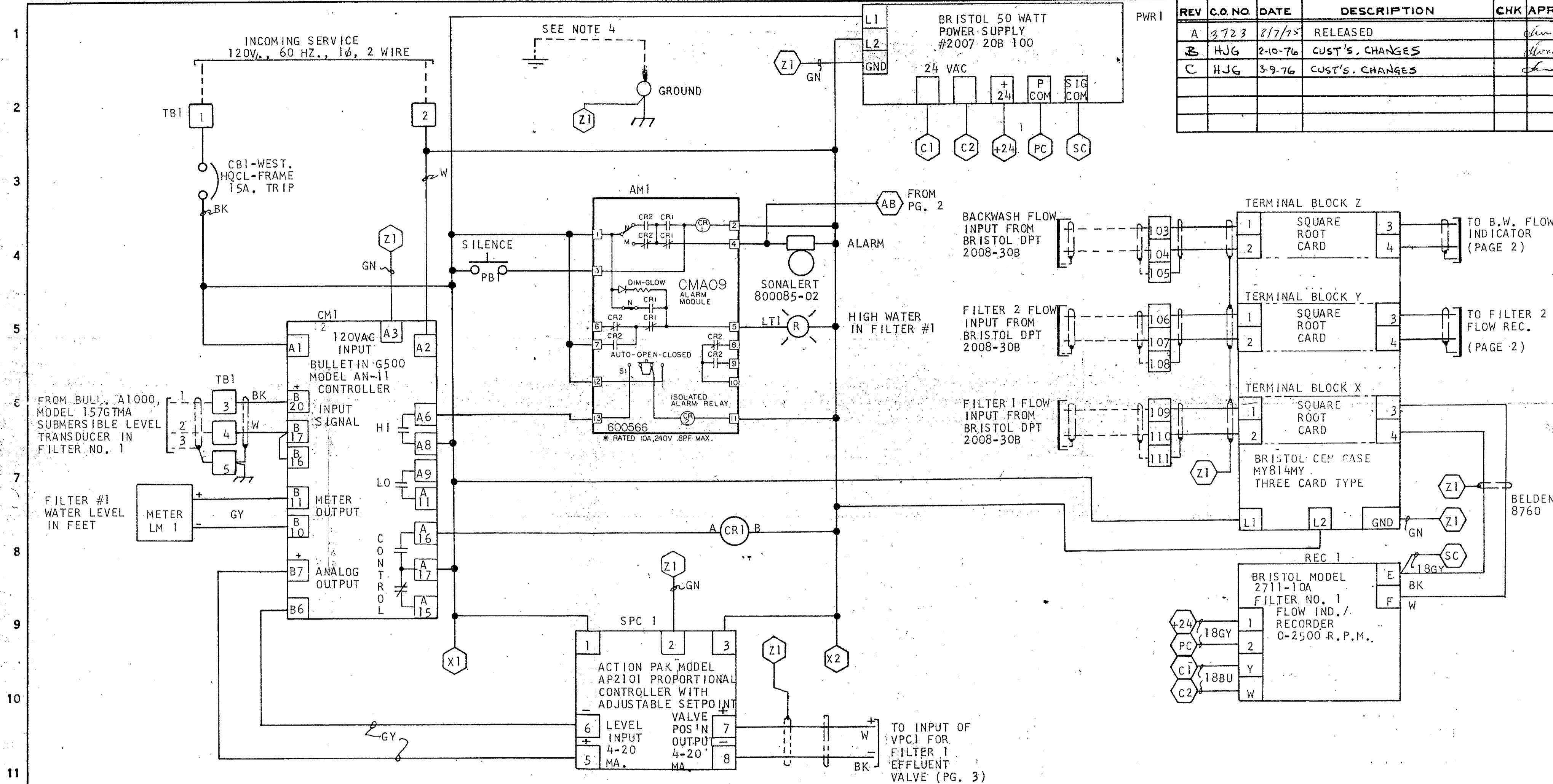
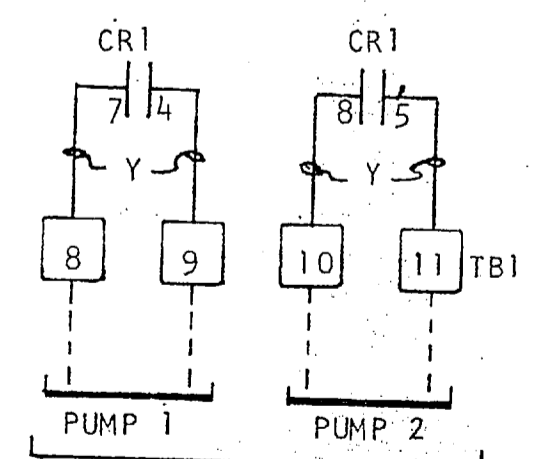


REV	C.O. NO.	DATE	DESCRIPTION	CHK	APR
A	3723	8/7/75	RELEASED		
B	HJG	2-10-76	CUST'S. CHANGES		
C	HJG	3-9-76	CUST'S. CHANGES		



6. SYMBOL DESIGNATES LIKE NUMBERED POINTS CONNECTED TOGETHER.
5. FOR PARTS LIST SEE 201899-01
4. GROUNDING LUG TO BE GROUNDED BY CUSTOMER AS PER N.E.C.
3. WIRE COLOR ABBREVIATIONS:
 BLACK-BK GRAY-GY
 WHITE-W BROWN-BR
 ORANGE-OR BLUE-BU
 YELLOW-Y VIOLET-V
 RED-R PINK-P
 GREEN-GN
2. ALL WIRING IS RED UNLESS NOTED. ALL RED WIRING IS 16 GA. AND ALL ELSE IS 14 GA.
1. ALL DASHED WIRING IS DONE BY OTHERS.



UNPOWERED CONTACTS TO BE WIRED IN SERIES (BY OTHERS) WITH M.S. PILOT CIRCUITS FOR FILTER EFFLUENT PUMPS. CONTACTS OPEN ON LOW WATER LEVEL IN FILTER. CONTACTS RATED 10 AMPS. @ 240V. AC.

TITLE: WIRING DIAGRAM, FILTER CONSOLE CAMP GEIGER SEWAGE TREATMENT PLANT		S.O. ITEM "K"	
SHOP ORDER 15726	JOB NAME JACKSONVILLE, N.C.		
CONSOLIDATED ELECTRIC COMPANY 141 SOUTH LAFAYETTE ROAD • ST. PAUL, MINN. 55107		PAGE 1 OF 6	
TOLERANCES UNLESS OTHERWISE SPECIFIED: TWO PLACE DEC. ± 0.10, THREE PLACE DEC. ± 0.05, FRACTIONS ± 1/64.	DO NOT SCALE	DESIGNED TWM DATE 7-27-75	DRAWN HJG 7/18/75 CHECKED [Signature]
DRAWING NO. 902069-01			REV. C

