

LAN FDIV 4-4355/3 (Rev. 6/76) **CONTRACTOR'S SUBMITTAL TRANSMITTAL**

FROM CONTRACTOR
Trader Construction
 TO
Lockwood Greene/Six Associates

CONTRACT NO.
81-C-1766
 TRANSMITTAL NO.
26C
 PROJECT TITLE AND LOCATION
Public Works & Helipad
MCB
Camp Lejeune, N.C.
 DATE
Dec. 1

File

CONTRACTOR USE ONLY
 *List only one specification division per form.
 List only one of the following categories on each transmittal form,
 and indicate which is being submitted

Contractor Approved

OICC Approval

Deviation/Substitution
 For OICC Approval

REVIEWER USE ONLY

****ACTION CODES**
 A-Approved
 D-Disapproved
 AN-Approved as noted
 RA-Receipt acknowledged
 C-Comments
 R-Resubmit

ITEM NO.	PROJ. SPEC. SECT. & PARA. and/or PROJ. DWG. NO.	ITEM IDENTIFICATION (Type, size, model no., Mfg. name, dwg. or brochure number)	NO. OF COPIES	REVIEWER USE ONLY	
				ACTION CODES	REVIEWER'S INITIALS CODE AND DATE
160	16530/1.3.1	Exterior Lighting, Type AAA Luminaire	7	A	12-29-83 H.D.
		Square Straight Alumium poles	7	A	12-29-83 H.D.
		HG Surface Hinged Base	7	A	12-29-83 H.D.G
CONTRACTOR'S COMMENTS					

COPY OF TRANSMITTAL AND SUBMITTALS TO ROICC
ROICC, Camp Lejeune, N.C.

DATE RECEIVED BY REVIEWER
12/19/83

FROM (Reviewer)
Six Associates, Inc.

CONTRACTOR REPRESENTATIVE (Signature)
Dale Stallings
 to
Trader Construction Co.

- Submittals are returned with action indicated. Approval of an item does not include approval of any deviation from the contract requirements unless the contractor calls attention to and supports the deviation.
- Submittals are forwarded to LANTDIV with A-E recommendations indicated in REVIEWER USE ONLY Section and in comments below on ONE COPY of the transmittal form.

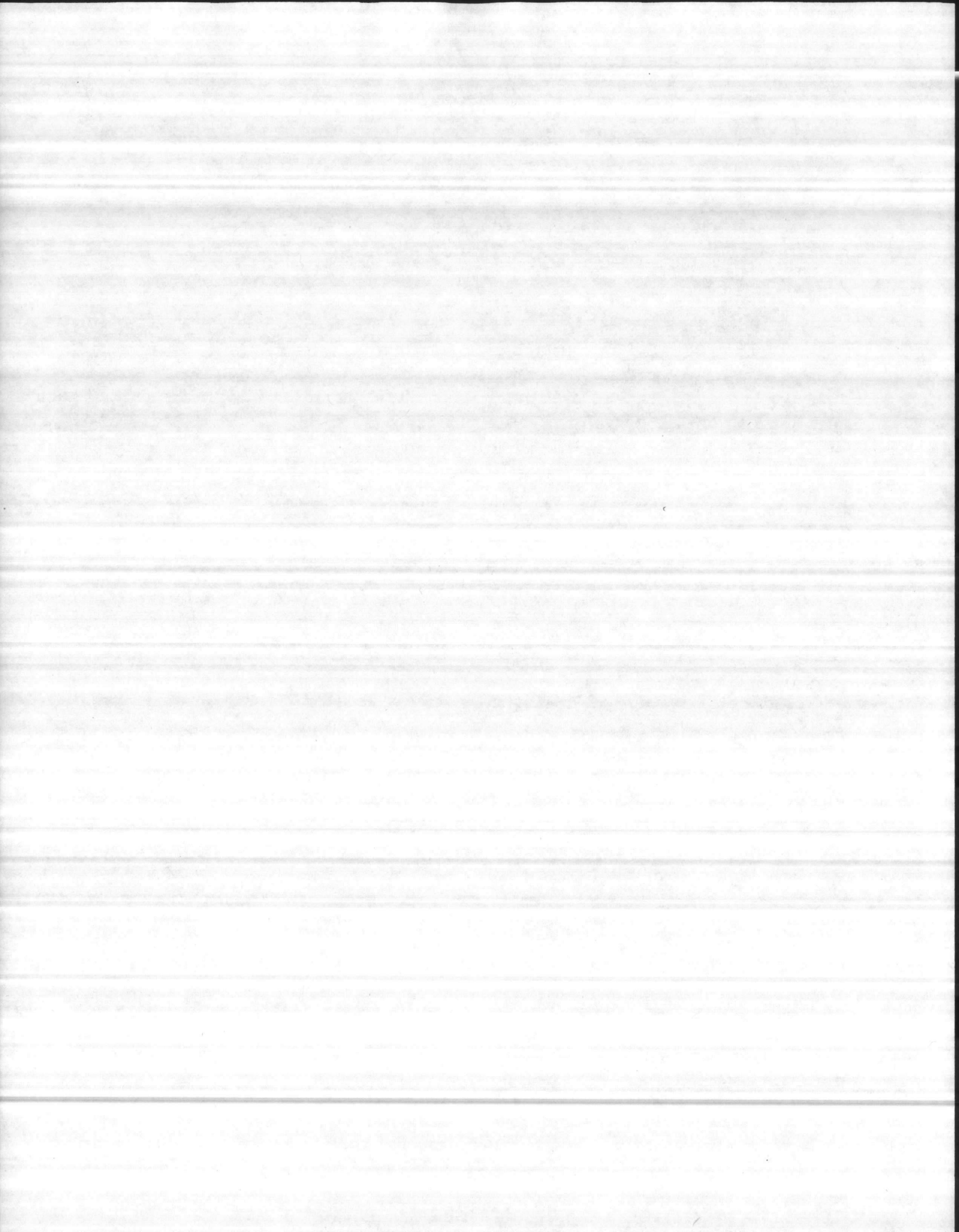
REVIEWER'S COMMENTS

COPY - Fred
2-2-84

COPIES TO:
 ROICC (2)
 LANTDIV (1)
 A-E (1)

DATE
~~12-29-83~~
1/12/84

SIGNATURE
Z. D. Green



November 25, 1983
Resubmittal

L. W. SLOAN BUILDERS

JOB: Public Works Building
Camp Lejeune, NC

TYPE AAA

Devine #C850-2-25-HPS-EPBLK with
#4SA8-14-HG-EP-BLK 15' Pole

ATLANTIC DIVISION
NAVAL FACILITIES ENGINEERING COMMAND
NORFOLK, VIRGINIA 23511

APPROVED

APPROVED AS NOTED

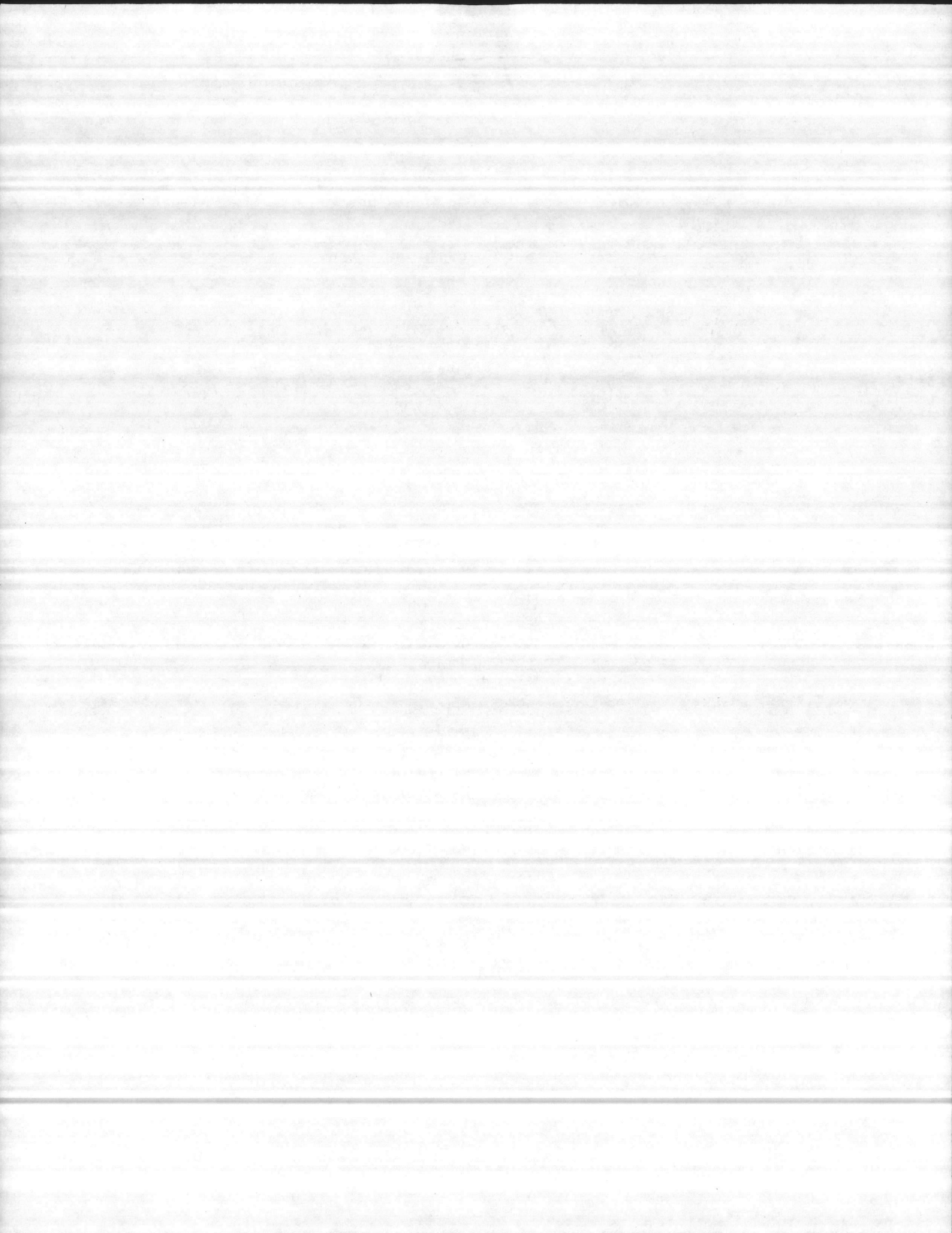
DISAPPROVED

SUBJECT TO THE REQUIREMENTS OF
CONTRACT NO. NG2470-81-C-1766

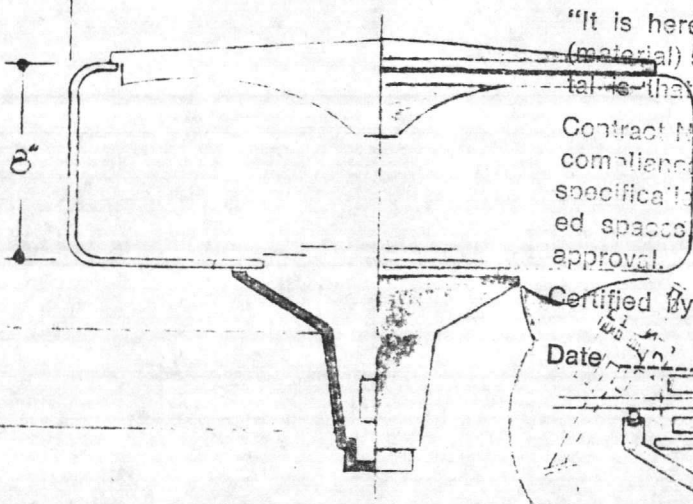
APPROVAL OF A SUBMITTAL DOES NOT INCLUDE
APPROVAL OF ANY DEVIATION FROM THE CON-
TRACT REQUIREMENTS UNLESS THE CONTRACTOR
CALLS ATTENTION TO AND SUPPORTS THE DEVI-
ATION. THE CONTRACTOR SHALL BE RESPONSIBLE
FOR PROVIDING PROPER PHYSICAL DIMENSIONS
& WEIGHTS, COORDINATION OF TRADES, ETC., AS
REQUIRED.

REVIEWER H. D. G. DATE 12-29-83

FOR OFFICER IN CHARGE OF CONSTRUCTION

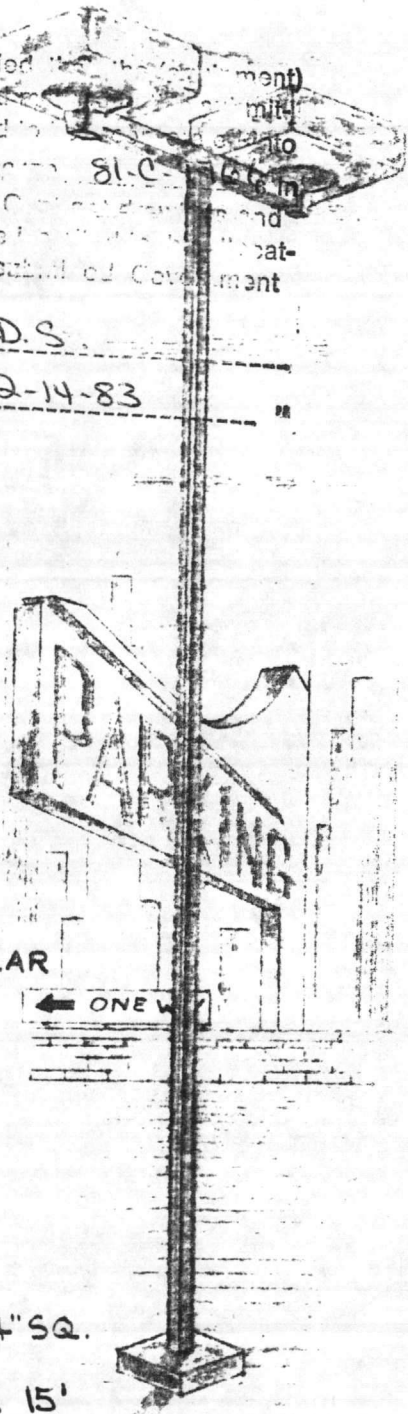


29" SQ.



"It is hereby certified that the material shown and described herein complies with the specifications proposed in Contract Number N00014-81-C-0001 and compliance with the Contract drawings and specifications, can be obtained in the stated spaces and is subject of Government approval.

Certified by D.S.
Date 12-14-83



SPECIFICATIONS -

- **GLOBE:** 29" SQUARE, CLEAR ACRYLIC, 1/8" thick GASKETED
- **FITTER:** CAST ALUMINUM, HINGED, SECURED W/2-PHILLIPS HEAD SCREWS
- **LENS RETAINER:** CAST ALUM.
- **INTERIOR REFLECTOR:** SPECULAR ALUMINUM.
- **SOCKET:** PORCELAIN MOGUL BASE
- **LAMP:** 250 WATT, HIGH PRESSURE SODIUM. E23 1/2. (BY OTHERS)
- **BALLAST:** HPF/CWA-20° LOCATED IN POLE.
- **ARMS:** EXTRUDED ALUM., 4" SQ.
- **POLE:** 4SA8-14-HG-EP-BLK 15'

POLE, BASE, & 3" DIA. TENON BY OTHERS. (TENON MUST BE REMOVABLE TO ACCOMODATE BALLAST MOUNTING)



C849 - SINGLE

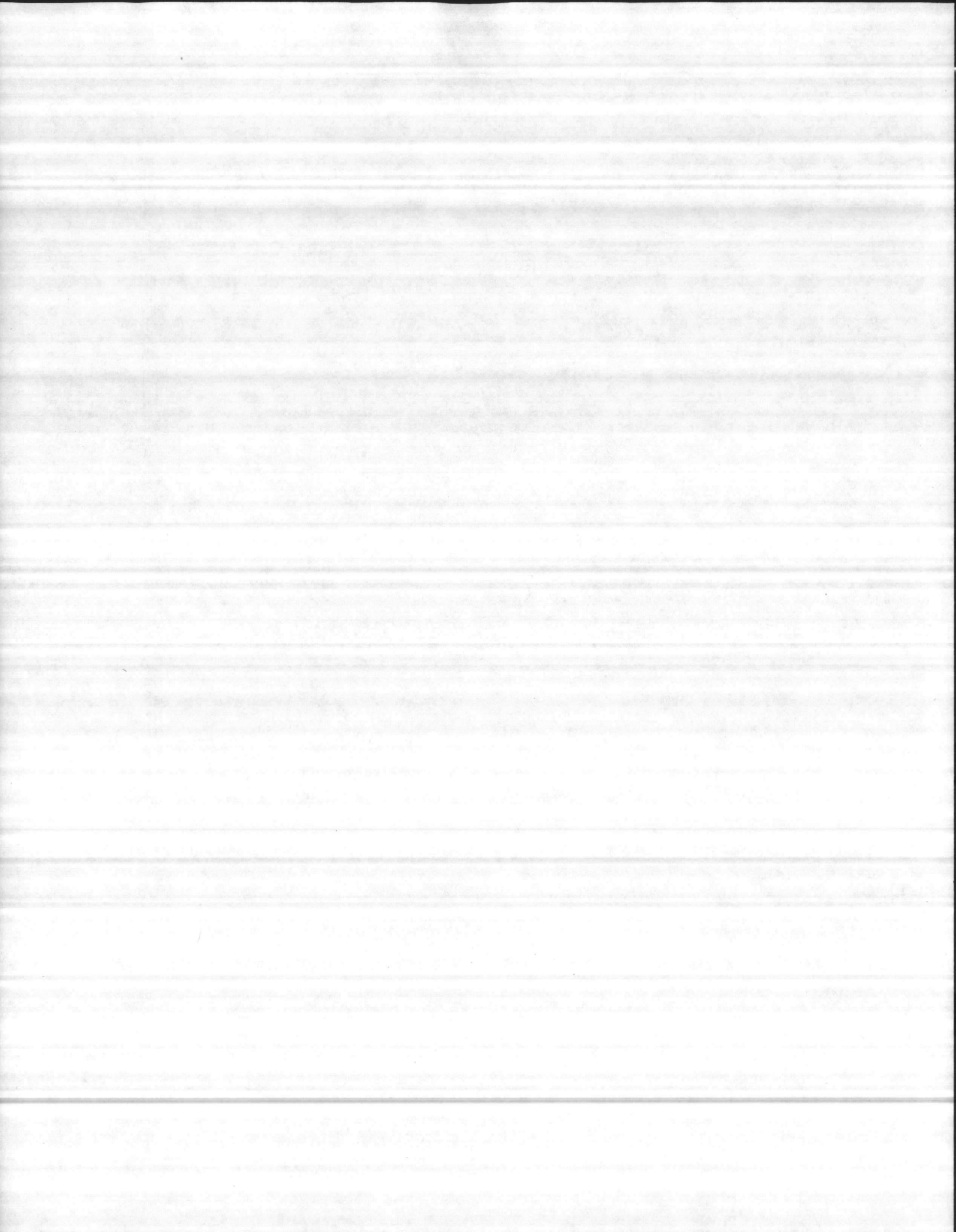


C850 - TWIN

TENON FITTER: HEAVY CAST ALUMINUM SLIP-FITTER FOR 3" DIAMETER TENON. (TENON BY OTHERS)

- **FINISH:** BLACK ENAMEL. (EPBLK)

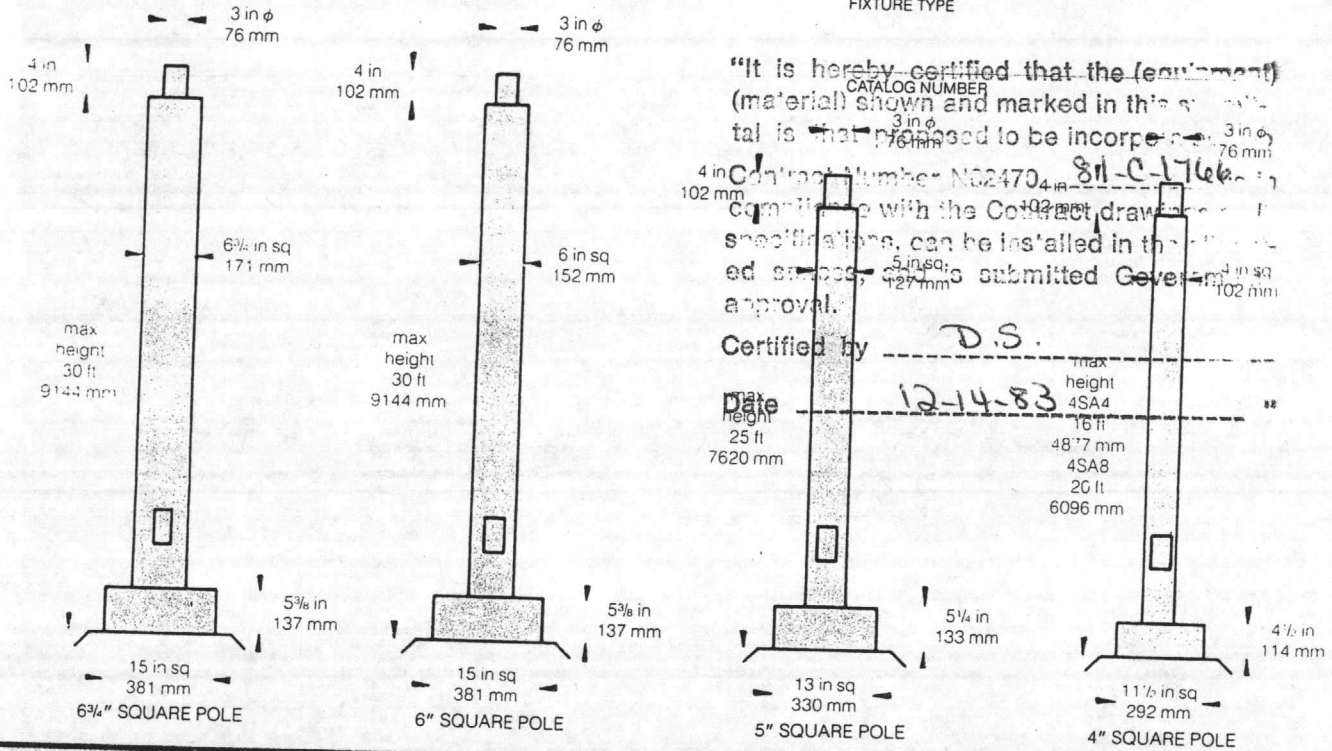
DEVINE LIGHTING Subsidiary of Walter Kidde & Company, Inc KIDDE 4645 EAST 11TH STREET • KANSAS CITY, MISSOURI 64127	DRWN: <u>APPROV</u> <u>KCP</u>
	DATE: <u>2-1-82</u>
	SCALE: <u>NONE</u>
DESCRIPTION: <u>C849-C850/MOD.</u>	DRAWING NUMBER <u>RE</u> <u>552066-A</u>



ALUMINUM POLES

AAA

FIXTURE TYPE



"It is hereby certified that the (equipment) (material) shown and marked in this specification is that proposed to be incorporated in Contract Number N02470, 811-C-1766, which complies with the Contract drawings and specifications, can be installed in the proposed project, as submitted for Government approval.

Certified by D.S.

Date 12-14-83

max height 30 ft 9144 mm
 4SA4 16 ft 4877 mm
 4SA8 20 ft 6096 mm

CATALOG INFORMATION

Size	Height	EPA For Wind Velocity				Weight	Catalog No.	
		70	80	90	100			
4"	10 ft.	19.2	14.0	10.6	8.0	31.5	4SA4-10-A	<input type="checkbox"/>
4"	12 ft.	15.0	10.6	7.7	5.6	36.0	4SA4-12-A	<input type="checkbox"/>
4"	14 ft.	11.5	7.9	5.4	3.6	40.5	4SA4-14-A	<input type="checkbox"/>
4"	16 ft.	7.0	4.5	2.8	1.4	45.0	4SA4-16-A	<input type="checkbox"/>
4"	14 ft.	24.7	18.0	13.4	10.0	70.5	4SA8-14-A	<input checked="" type="checkbox"/>
4"	16 ft.	16.0	11.5	8.3	6.0	79.5	4SA8-16-A	<input type="checkbox"/>
4"	18 ft.	13.0	9.0	6.2	4.2	88.0	4SA8-18-A	<input type="checkbox"/>
4"	20 ft.	10.4	6.9	4.4	2.6	97.0	4SA8-20-A	<input type="checkbox"/>
5"	18 ft.	17.0	11.7	8.1	5.5	92.0	5SA6-18-A	<input type="checkbox"/>
5"	20 ft.	13.7	9.0	5.9	3.5	101.0	5SA6-20-A	<input type="checkbox"/>
5"	22 ft.	11.0	6.8	3.9	2.8	109.0	5SA6-22-A	<input type="checkbox"/>
5"	25 ft.	7.5	3.9	1.3	—	122.0	5SA6-25-A	<input type="checkbox"/>
6"	18 ft.	36.3	26.3	19.5	14.5	145.0	6SA8-18-A	<input type="checkbox"/>
6"	20 ft.	30.9	21.9	15.6	11.3	158.5	6SA8-20-A	<input type="checkbox"/>
6"	22 ft.	26.4	18.1	12.5	8.6	172.5	6SA8-22-A	<input type="checkbox"/>
6"	24 ft.	22.2	14.8	9.7	6.2	185.0	6SA8-24-A	<input type="checkbox"/>
6"	26 ft.	18.6	11.9	7.2	3.9	199.0	6SA8-26-A	<input type="checkbox"/>
6"	28 ft.	15.5	9.3	5.0	2.0	212.5	6SA8-28-A	<input type="checkbox"/>
6"	30 ft.	12.6	6.8	2.9	—	226.0	6SA8-30-A	<input type="checkbox"/>
6 3/4"	18 ft.	35.0	25.1	18.3	13.4	127.5	67SA6-18-A	<input type="checkbox"/>
6 3/4"	20 ft.	29.7	20.7	14.6	10.2	139.0	67SA6-20-A	<input type="checkbox"/>
6 3/4"	22 ft.	24.8	16.9	11.3	7.4	151.0	67SA6-22-A	<input type="checkbox"/>
6 3/4"	24 ft.	20.9	13.5	8.5	4.9	162.0	67SA6-24-A	<input type="checkbox"/>
6 3/4"	26 ft.	17.2	10.5	5.9	2.6	174.0	67SA6-26-A	<input type="checkbox"/>
6 3/4"	28 ft.	13.9	7.8	3.5	—	185.5	67SA6-28-A	<input type="checkbox"/>
6 3/4"	30 ft.	11.0	5.3	1.3	—	197.0	67SA6-30-A	<input type="checkbox"/>

APPLICATIONS

- Parking Lots
- Roadways
- Walks
- Malls
- Recreation Areas
- Sports Fields

DESCRIPTION

• Square aluminum pole fabricated from primary high-tensile extruded aluminum. • Supplied complete with anchor bolts, base cover, hand hole and top tenon. • Optional hinged and transformer bases available for selected poles.

OPTIONS

Options	Suffix	
Transformer base—4" only (maximum 2 ballasts)	B5	<input type="checkbox"/>
Surface hinged base—4" only	HG	<input checked="" type="checkbox"/>
Recessed hinged base—4" and 5" only	RHG	<input type="checkbox"/>
Single weatherproof convenience outlet	WCO1	<input type="checkbox"/>
Duplex weatherproof convenience outlet	WCO2	<input type="checkbox"/>
Duplex ground fault convenience outlet interruptor—weatherproof	GFI	<input type="checkbox"/>

(Specify location of convenience outlets)
 For finish other than standard, see catalog section "Finishes"
 For details of optional bases, see page A5-15

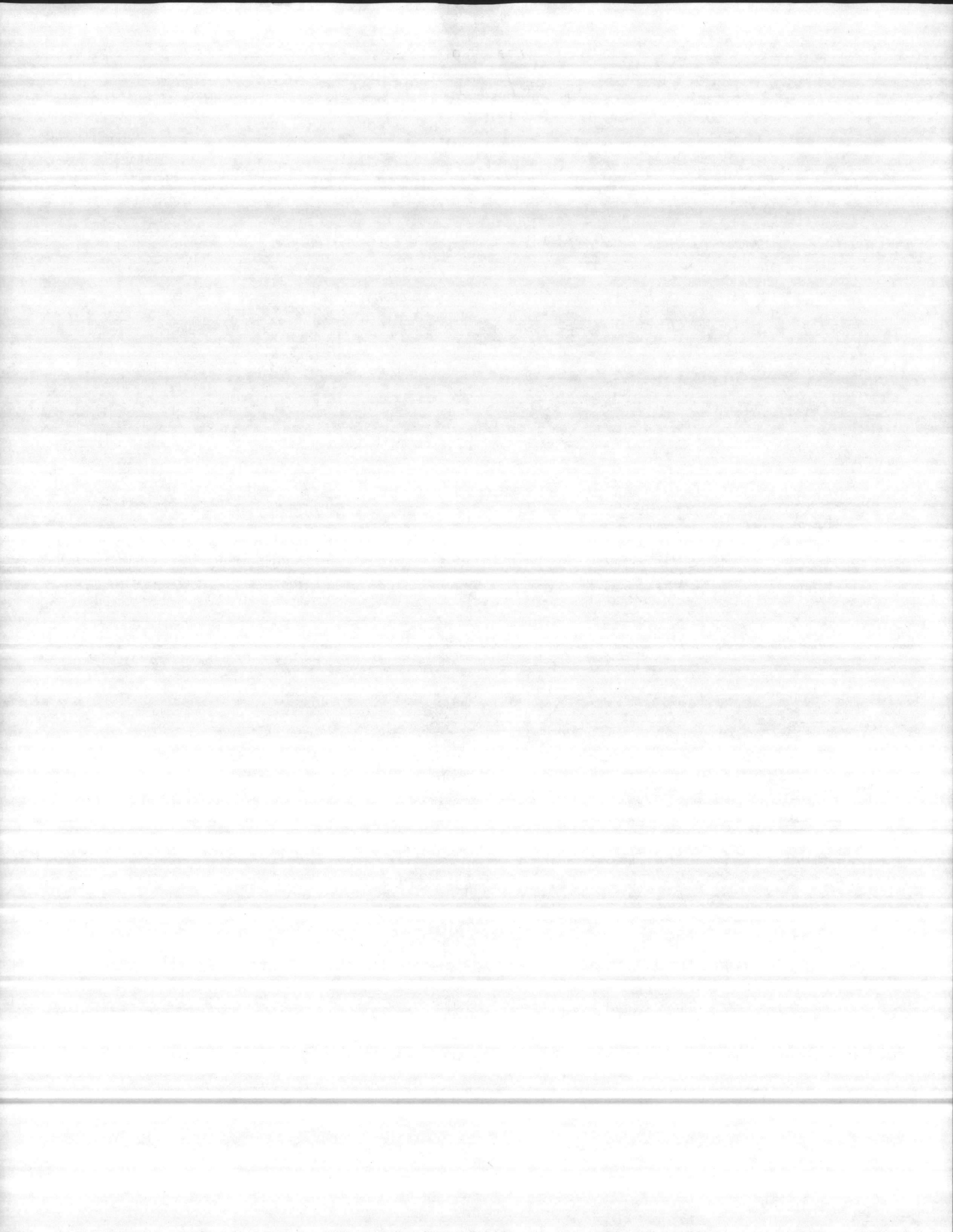
To order options, append desired suffix to Catalog No., e.g., 4SA4-13-HG.

Poles can be furnished any height up to maximum height shown. For heights other than those shown substitute the desired height in the catalog number, e.g., for a 4" square pole 13' high, order Catalog No., 4SA4-13-A.

Suffix "A" in catalog number denotes a shoe base. For optional base, substitute suffix as shown in options.

The "EPA" for the fixture must not exceed the "EPA" for the pole for design wind velocity.

Pole Height 15'



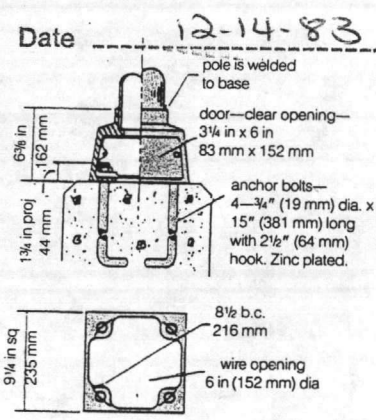
(material) shown and marked in this submittal is that proposed to be incorporated into Contract Number N62470-81-C-17664 in compliance with the Contract drawings and specifications, and is submitted Government approval.

Certified by D.S.

Date 12-14-83

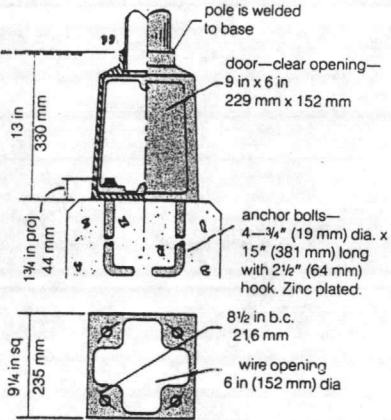
AAA-
FIXTURE TYPE

CATALOG NUMBER



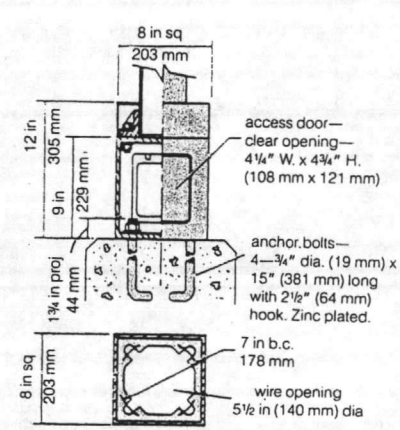
B1-PEDASTAL BASE

AVAILABLE FOR 4" ROUND AND 4"-3" ROUND TAPERED ALUMINUM POLES ONLY. MAXIMUM HEIGHT—15'



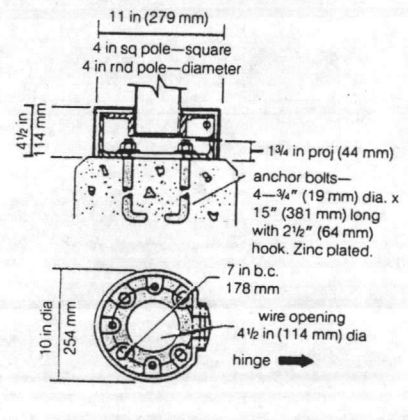
B2-TRANSFORMER BASE

AVAILABLE FOR 4" ROUND AND 4"-3" ROUND TAPERED ALUMINUM POLES ONLY. MAXIMUM HEIGHT—15'



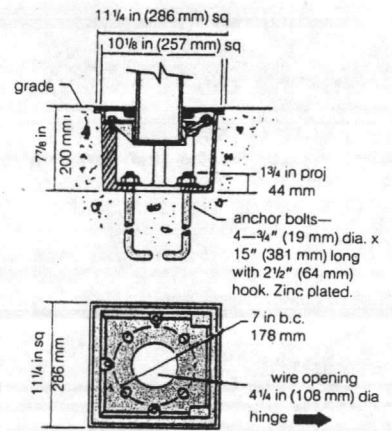
B5-TRANSFORMER BASE

AVAILABLE FOR 4" SQUARE ALUMINUM POLES ONLY. MAXIMUM HEIGHT—15'



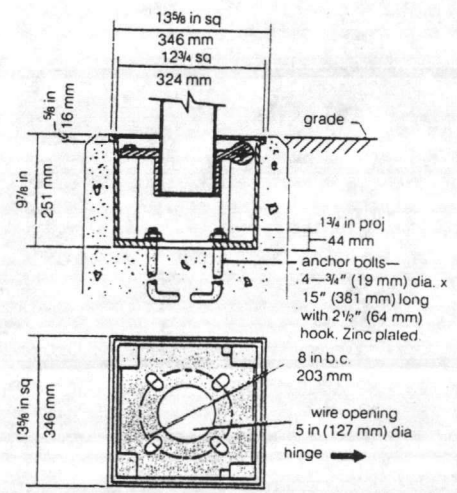
HG-SURFACE HINGED BASE

AVAILABLE FOR 4" ROUND, 4" SQUARE AND 4"-3" ROUND TAPERED ALUMINUM POLES ONLY. MAXIMUM HEIGHT—15'



RHG-RECESSED HINGED BASE

AVAILABLE FOR 4" AND 5" ROUND, 4" SQUARE AND 4"-3" ROUND TAPERED ALUMINUM POLES ONLY. MAXIMUM HEIGHT—15'



RHG-RECESSED HINGED BASE

AVAILABLE FOR 6" ROUND, 5" SQUARE AND 6"-3" ROUND TAPERED ALUMINUM POLES ONLY. MAXIMUM HEIGHT—18'

OPTIONAL BASES: The optional bases are available only on the pole sizes as shown. Dimensions and designs are subject to change without notice. All dimensions are critical, please consult factory. Bases will be supplied in latest design. Pole heights include specified base. To specify optional bases, follow the procedure listed under "OPTIONS" on the pole catalog page. For other than standard finish, see catalog section "Finishes."

