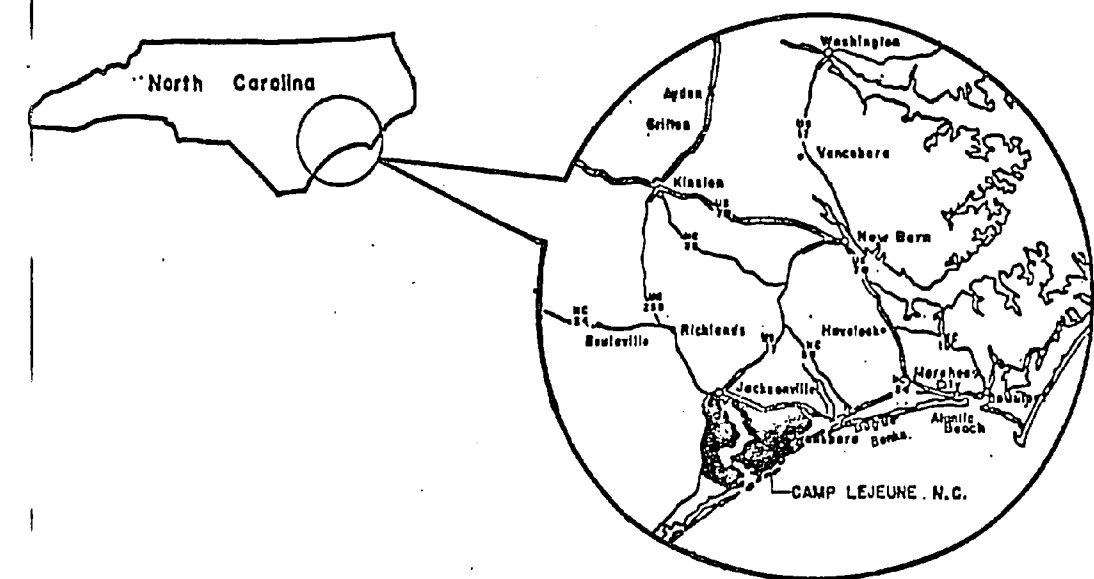


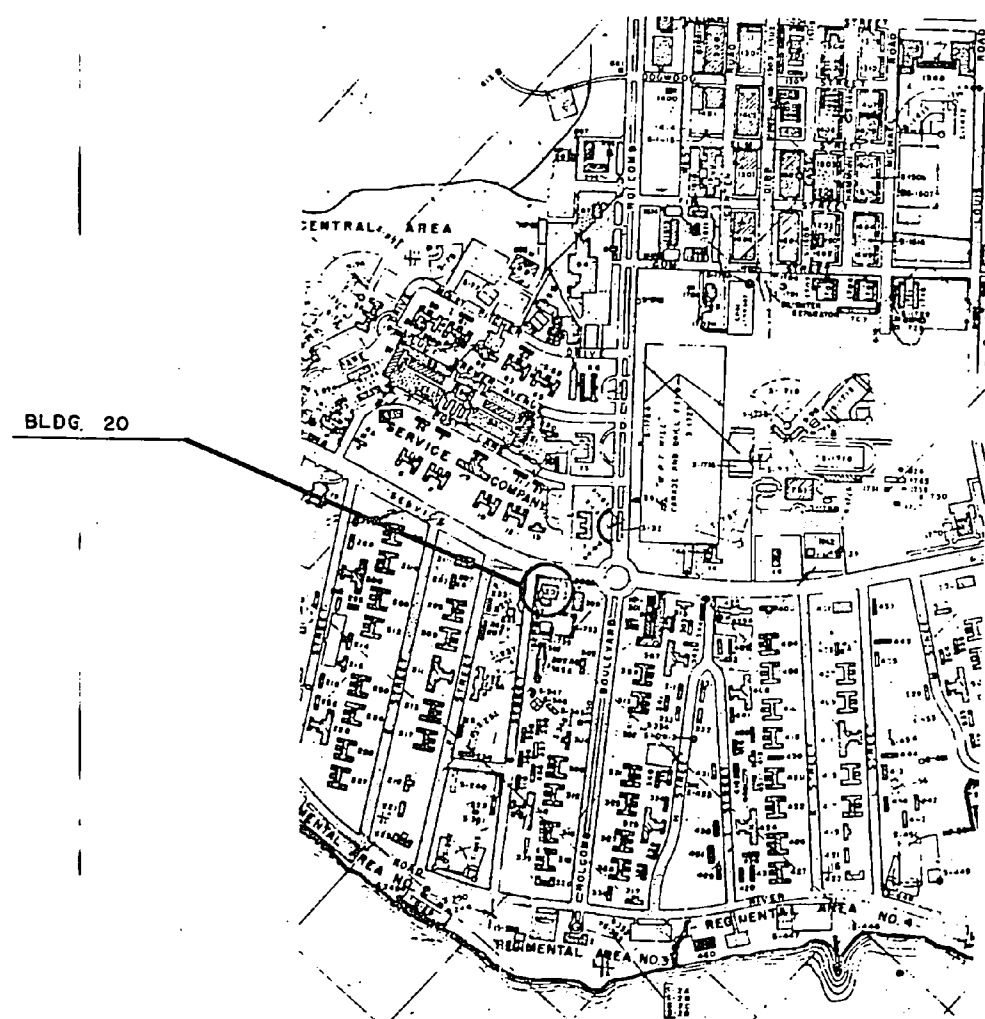
REVISIONS			
SYL.	DESCRIPTION	DATE	APPROVED



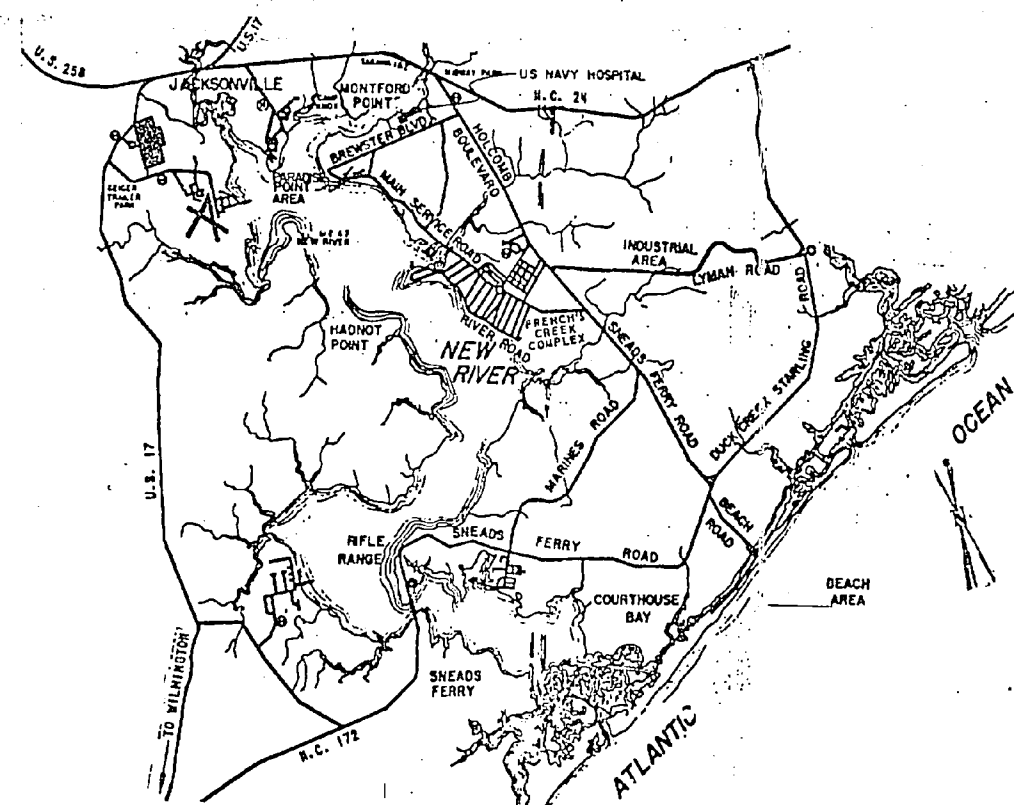
VICINITY MAP - CAMP LEJEUNE, N. C.

RECARBONATION SYSTEM, BLDG. 20

CONTRACT NO. N62470-84-B-7886



HADNOT PT. PLAN



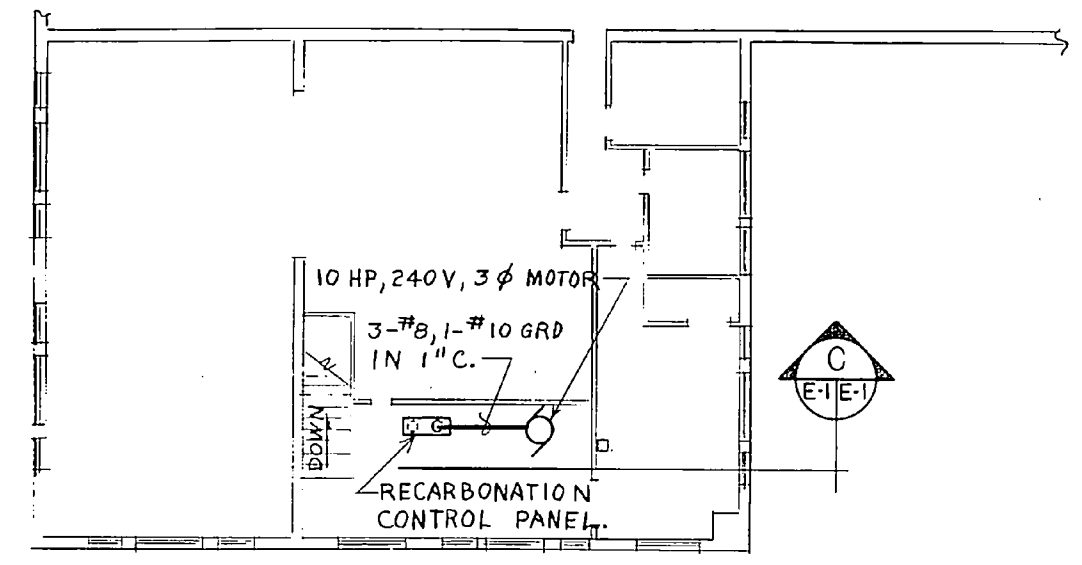
LOCATION MAP

SETTLED
BY JR

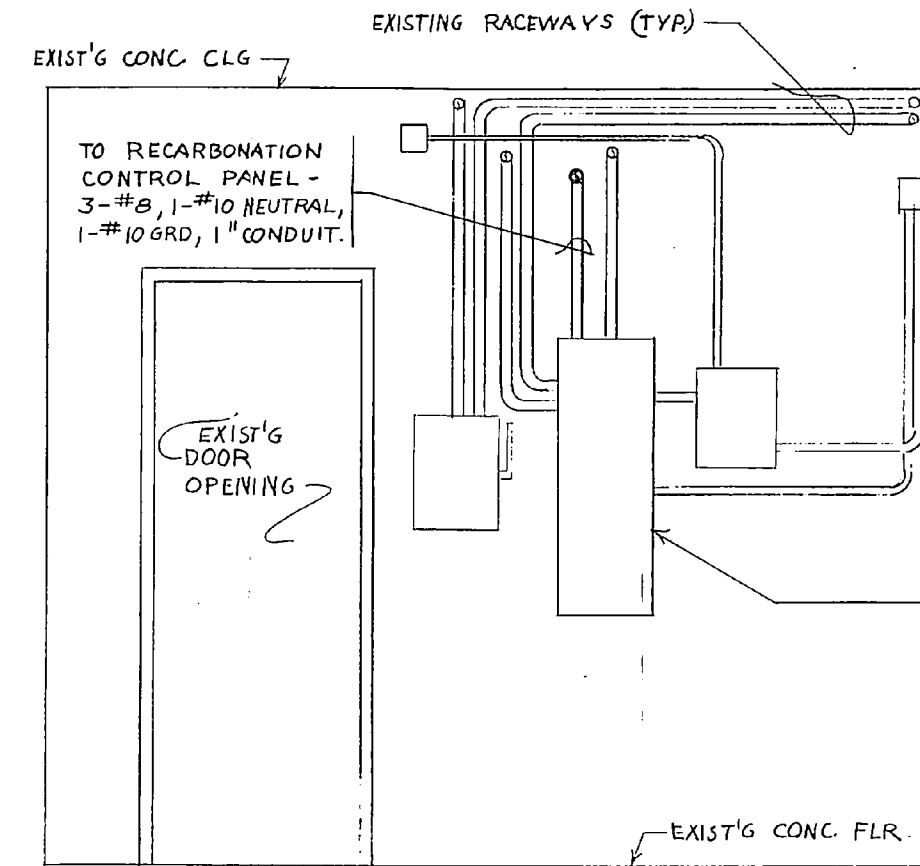
		G-1	
DEPARTMENT OF THE NAVY NAVAL FACILITIES ENGINEERING COMMAND MARINE CORPS BASE CAMP LEJEUNE, NORTH CAROLINA			
DES. BASHTON DR. BASHTON CHK. C. BAKER SUBMITTED BY <i>(Signature)</i> DESIGN NO. <i>(Signature)</i>		RECARBONATION SYSTEM, BLDG. 20 VICINITY, LOCATION MAP	
APPROVED: PRO-EP DICC <i>(Signature)</i>	DATE: 7/1/83	CODE IDENT. NO. 80081	NAVFAC DRAWING NO. 4126532
SATISFACTORY TO:	DATE:	CONTR. CONTR. NO. N62470-84-B-7886	SCALE: NOTED SPEC. 05-84-7886 1 OF 3



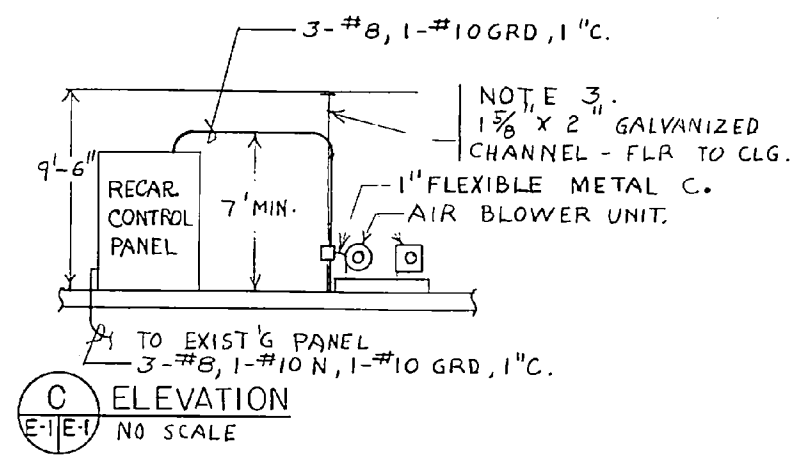
REVISIONS			
NO.	DESCRIPTION	DATE	APPROVED



ELECTRICAL PLAN - 2ND FLOOR (PARTIAL)
SCALE: 1/8" = 1'-0"

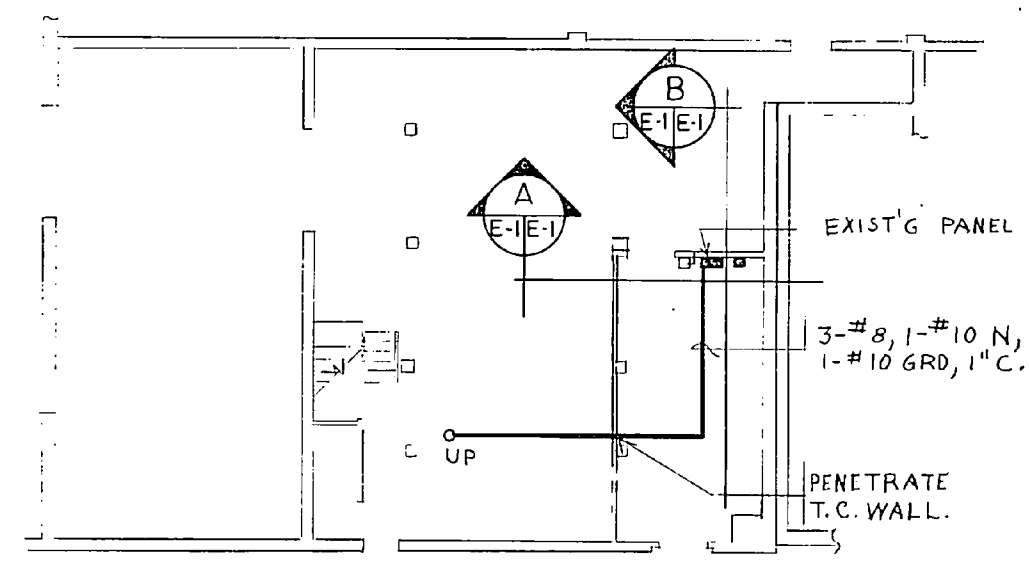


A ELEVATION
NO SCALE

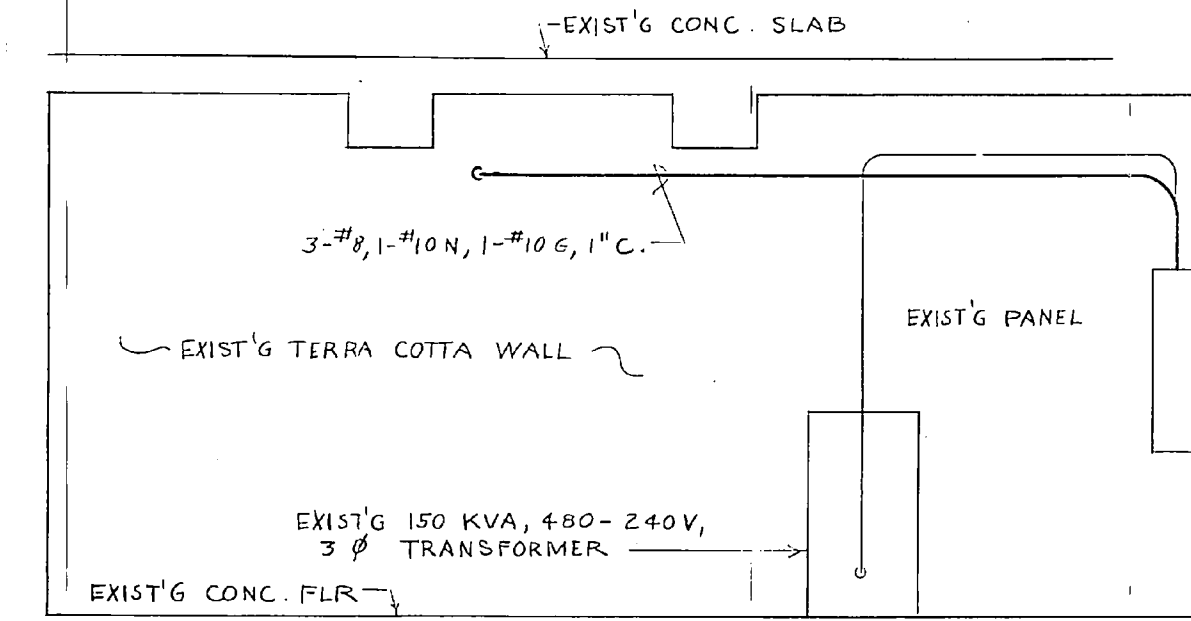


C ELEVATION
NO SCALE

EXIST'G PANEL: GENERAL ELECTRIC-NLAB
STYLE 5, 3 phase, 4-wire, 240 VOLTS.
PROVIDE 3 POLE, 60 AMP BRANCH
BREAKER.



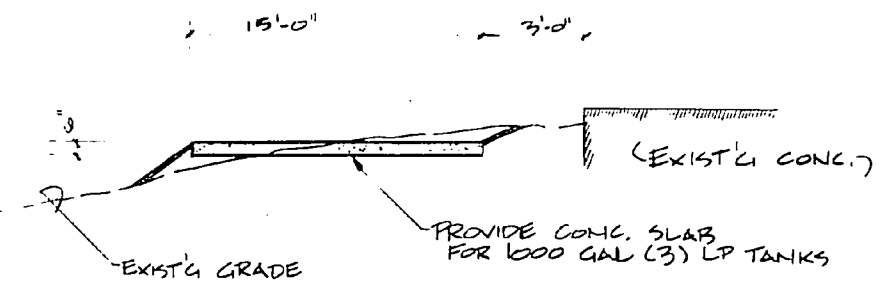
ELECTRICAL PLAN - 1ST FLOOR (PARTIAL)
SCALE: 1/8" = 1'-0"



B ELEVATION
NO SCALE

GENERAL NOTES

1. ALL WORK & MATERIALS, UNLESS NOTED OTHERWISE AS EXISTING, ARE NEW & SHALL BE PROVIDED BY THE CONTRACTOR
2. EXISTING EQUIPMENT IS TO REMAIN UNLESS NOTED OTHERWISE.
3. FIELD VERIFY FLOOR (FLR) TO CEILING (CLG) DIMENSION FOR CHANNEL LENGTH.



DETAIL A (TYPICAL)

DES. A. YOUNG		DEPARTMENT OF THE NAVY NAVAL FACILITIES ENGINEERING COMMAND	
DR. A. Y.		MARINE CORPS BASE	
CHK. C. BAKER		CAMP LEJUNE, NORTH CAROLINA	
SUBMITTED BY: [Signature]		RECARBONATION SYSTEM, BLDG 20.	
DESIGN DIR. [Signature]		ELECTRICAL PLAN	
APPROVED: [Signature]	DATE: 4/1/85	SIZE: F	CODE IDENT. NO.: 80091
SATISFACTORY TO:	DATE:	NAVFAC DRAWING NO.: 4126534	CONSTR. CONTR. NO. NG2478-04-8-7884
SCALE: GRAPHIC		SPEC. 05-84-7886 SHEET 3 OF 3	

E-1

40 - (0.3)
(8.1)
~~9.0~~ 8.5 9.0

50

75

0.0