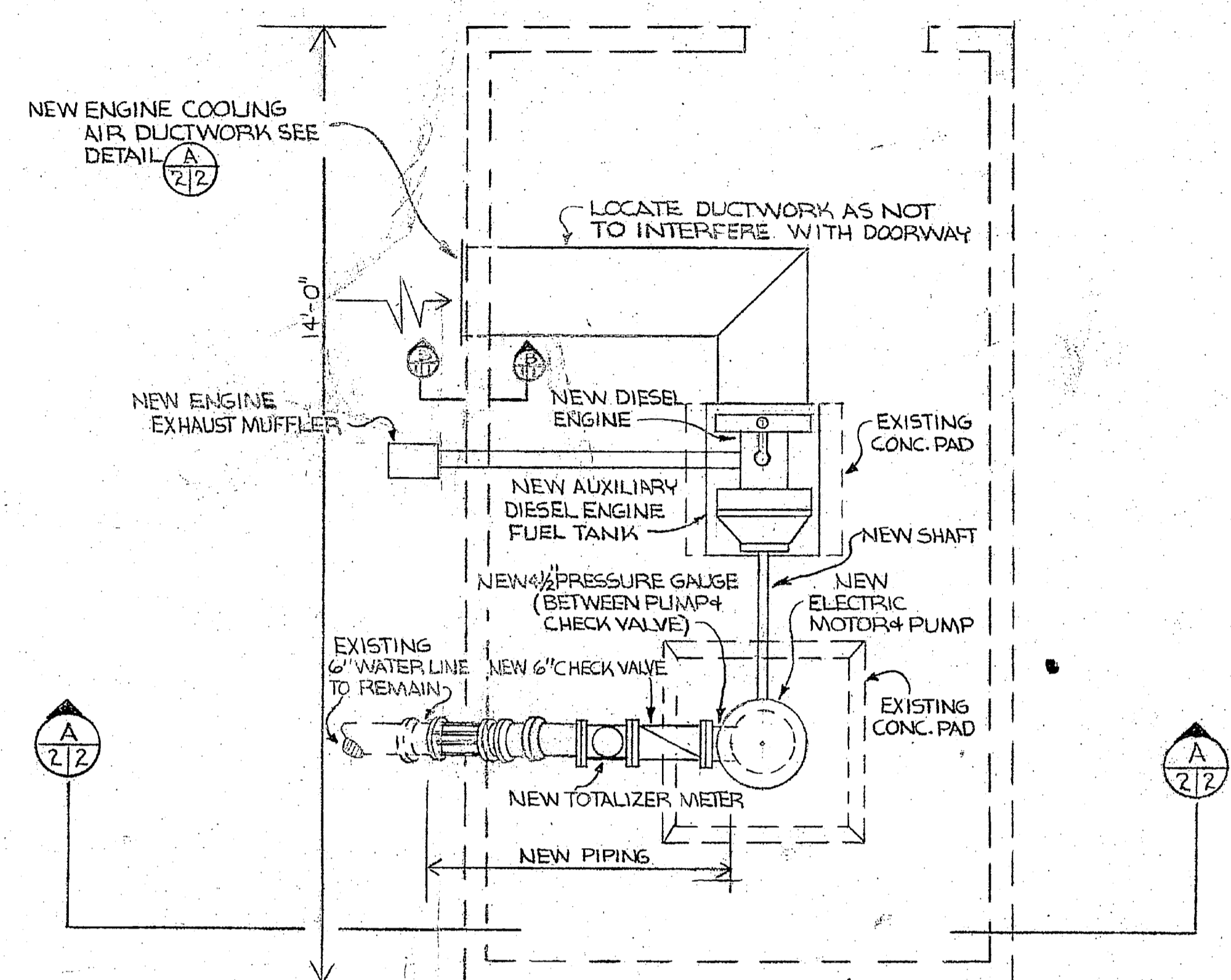
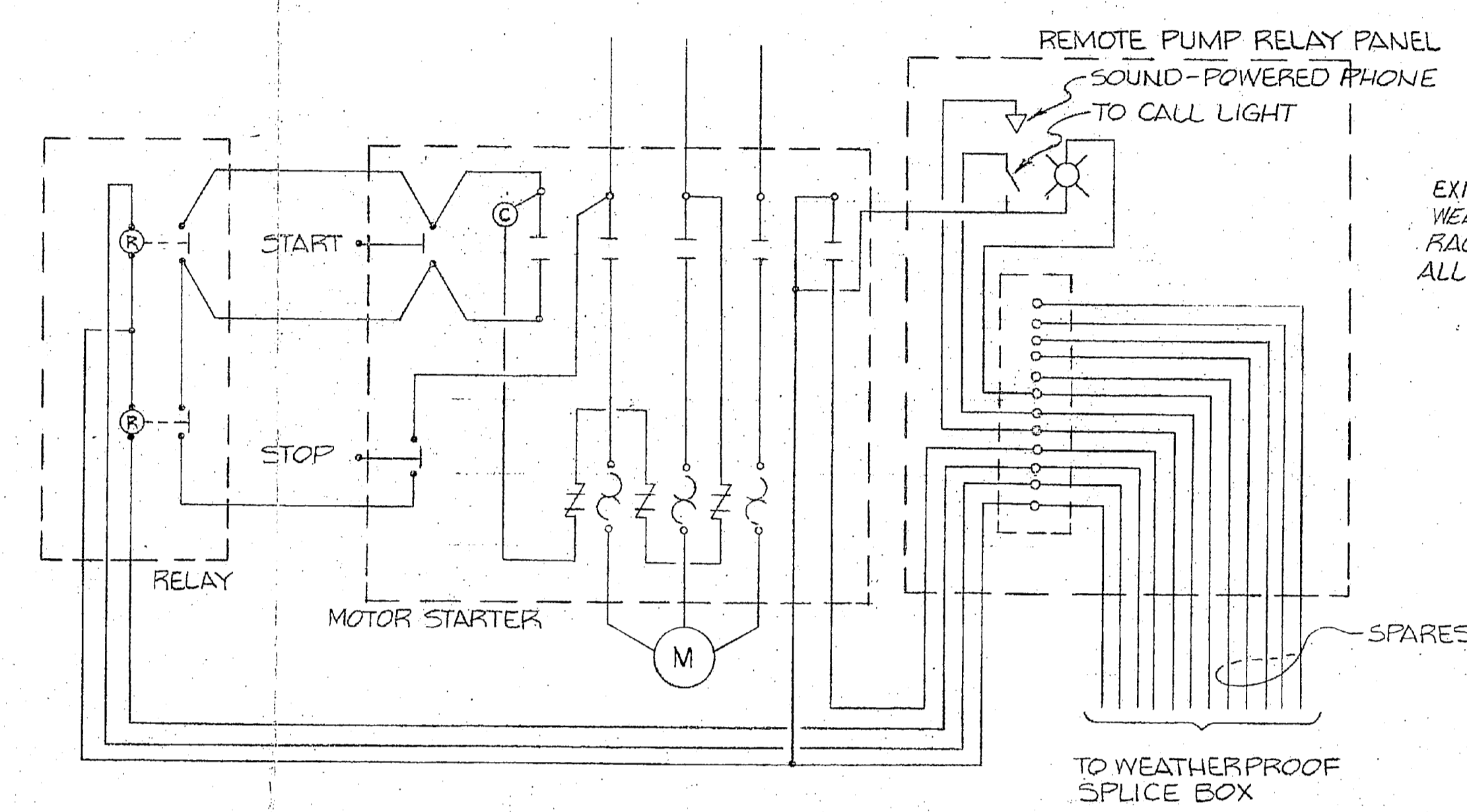


REVISIONS			
SYM	DESCRIPTION	DATE	APPROVED

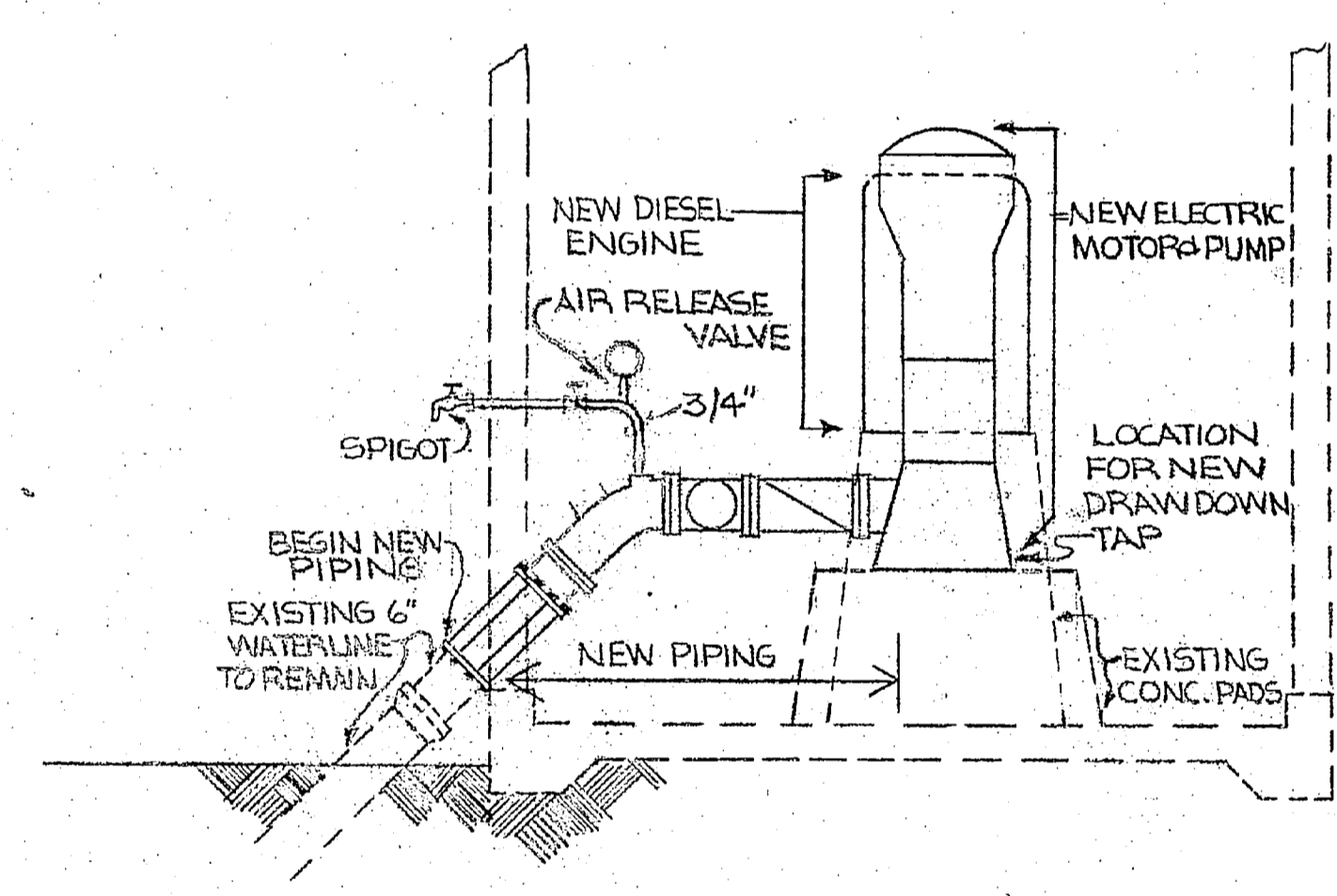


PIPING PLAN  
SCALE: 1/2"=1'-0"

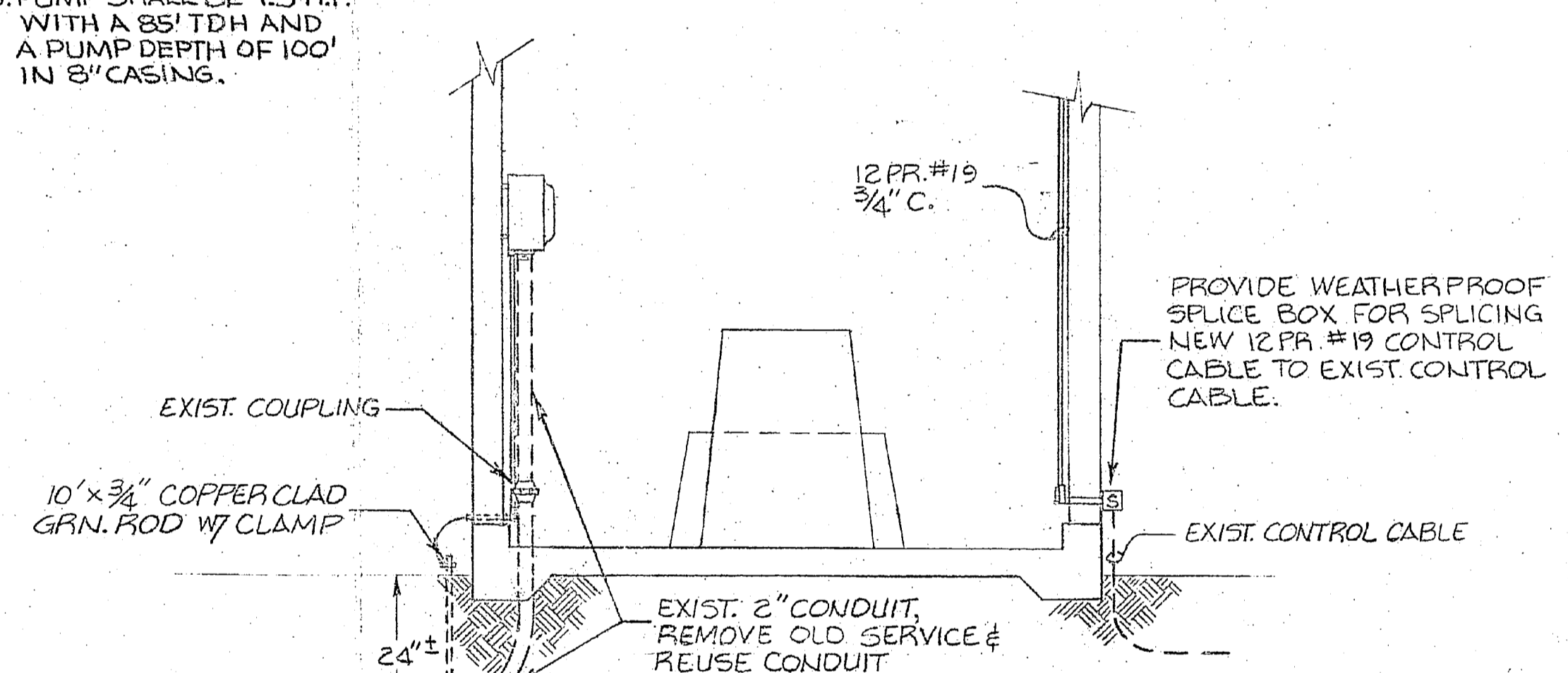


CONTROL SCHEMATIC - WELLHOUSE REMOTE PUMP  
N.T.S.

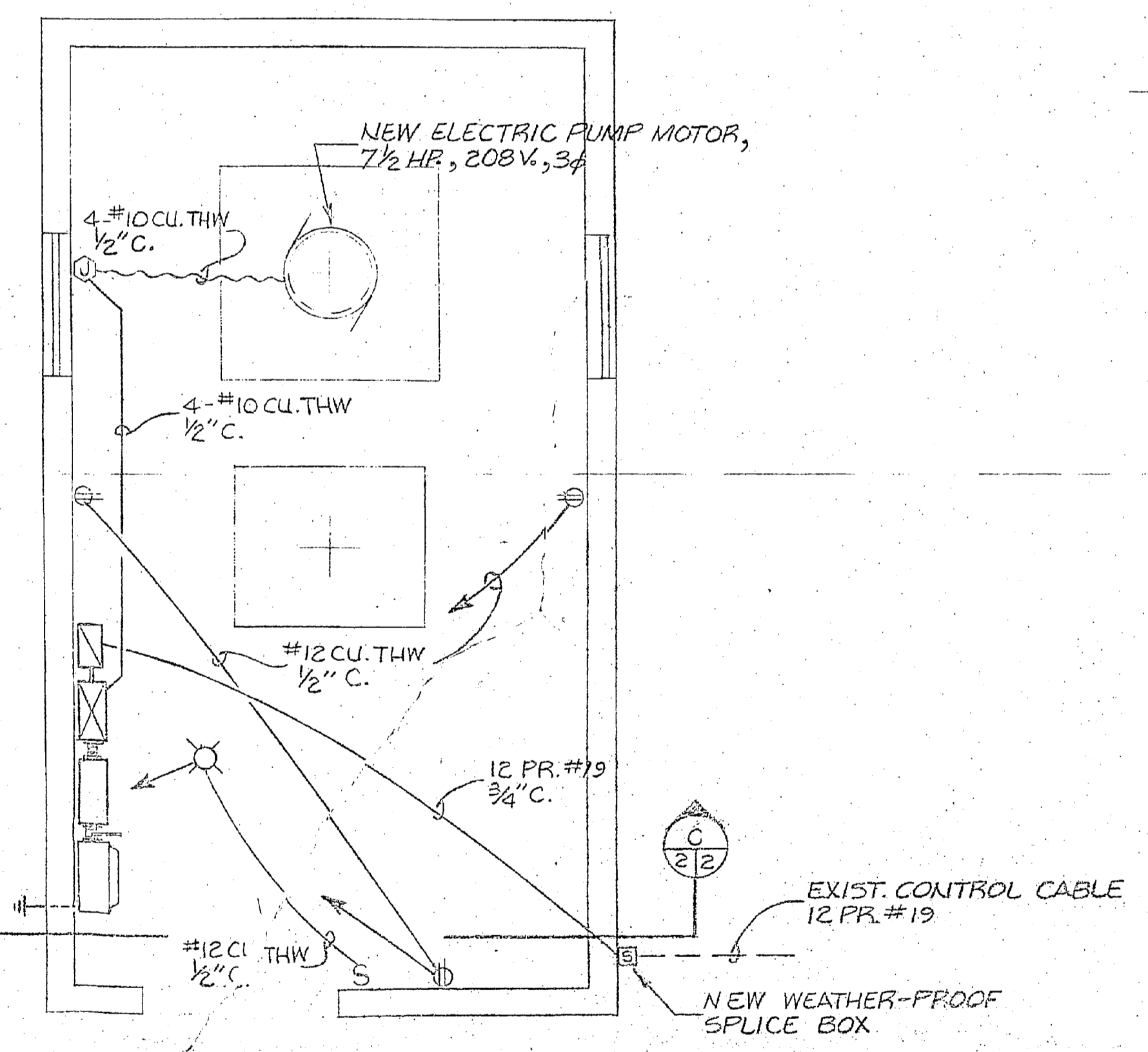
GENERAL NOTES: 1. REFER TO SHEET NO. 1 FOR EXACT LOCATION AND SIZE OF EXISTING CONC. PADS FOR NEW ELECT. MOTOR & PUMP AND FOR NEW DIESEL ENGINE.  
2. PUMP SHALL HAVE A CAPACITY OF 250 GPM AT 1750 RPM AND SHALL HAVE A RIGHT ANGLE DRIVE FOR DIESEL ENGINE.  
3. PUMP SHALL BE 7.5 H.P. WITH A 36" DIA. AND A PUMP DEPTH OF 100' IN 8" CASING.



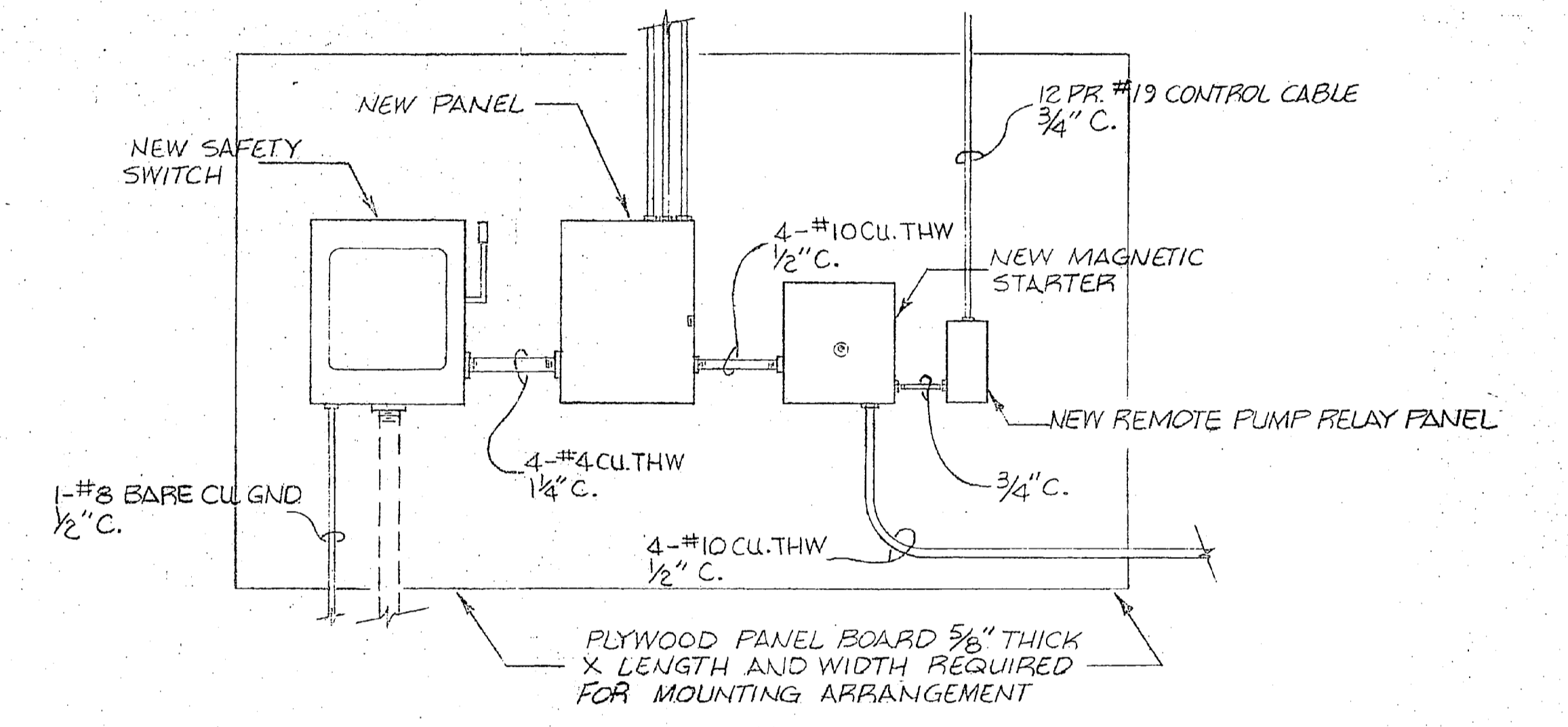
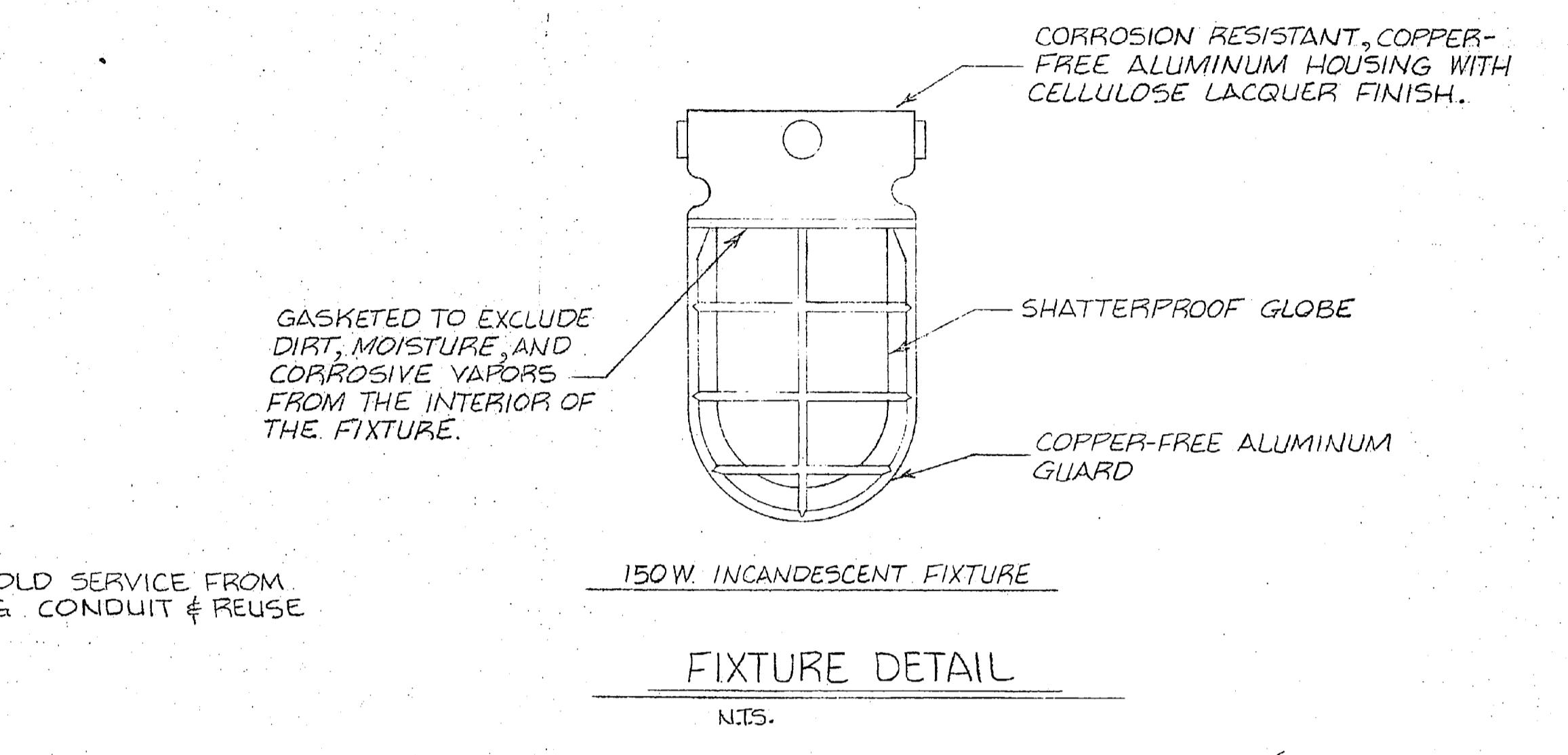
SECTION A  
SCALE: 1/2"=1'-0"



SECTION C  
SCALE: 1/2"=1'-0"



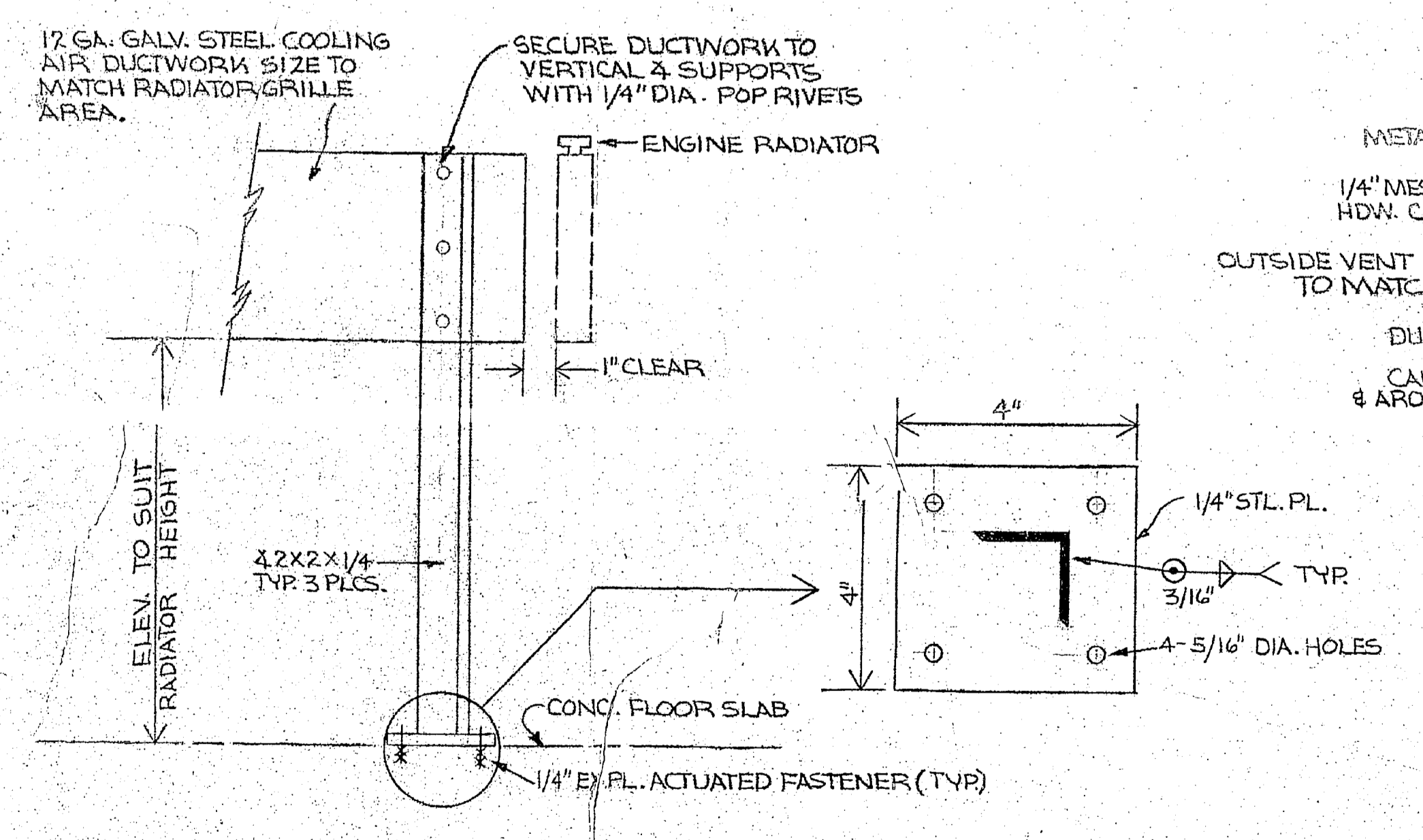
ELECTRICAL FLOOR PLAN  
SCALE: 1/2"=1'-0"



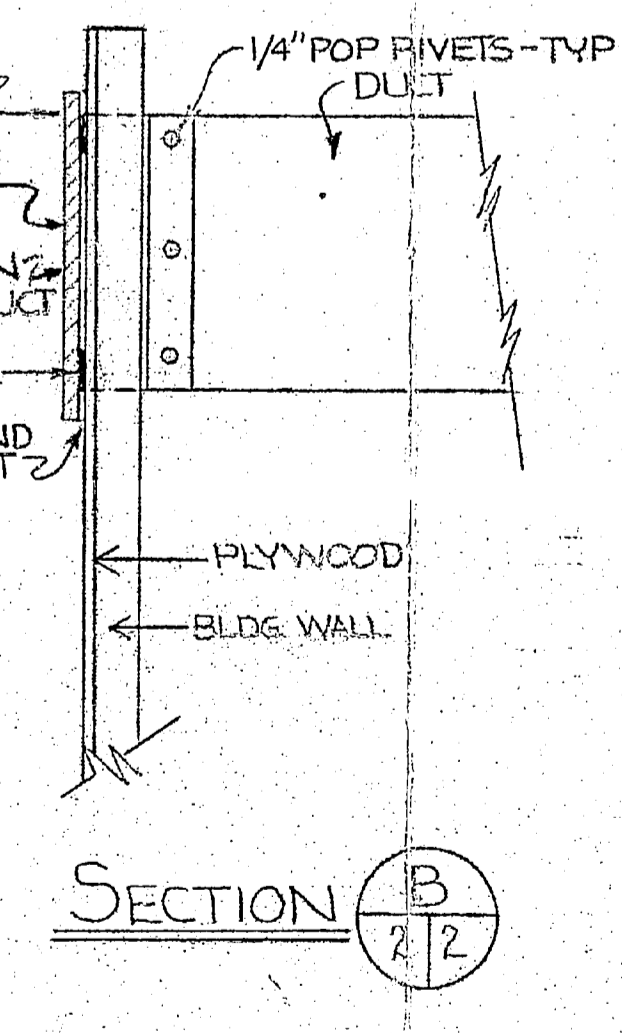
PANEL DETAIL  
N.T.S.

- LEGEND
- SAFETY SWITCH, 60 AMP, 3 PHASE, 4 WIRE, 120/208 VOLTS.
  - SERVICE PANEL, 60 AMP, 3 PHASE, 4 WIRE, 120/208 VOLTS, MAIN LUGS ONLY, WITH 4" 20A/1P AND 1" 30A/3P BRANCH CIRCUIT BREAKERS.
  - 208 VOLT, ACROSS THE LINE, MAGNETIC STARTER, SIZE NEMA 1 IN A NEMA 1 ENCLOSURE.
  - REMOTE PUMP RELAY PANEL (24 TERMINALS), NEMA 1.
  - JUNCTION BOX.
  - DUPLEX RECEPTACLE, 20A, 125 VOLT, GROUNDING TYPE.
  - INCANDESCENT LIGHT FIXTURE (SEE DETAIL THIS SHEET).
  - SWITCH, 20A, 125 VOLT.
  - WEATHERPROOF SPLICE BOX.
  - HOME RUN TO PANEL.
  - FLEXIBLE WEATHERPROOF CONDUIT.

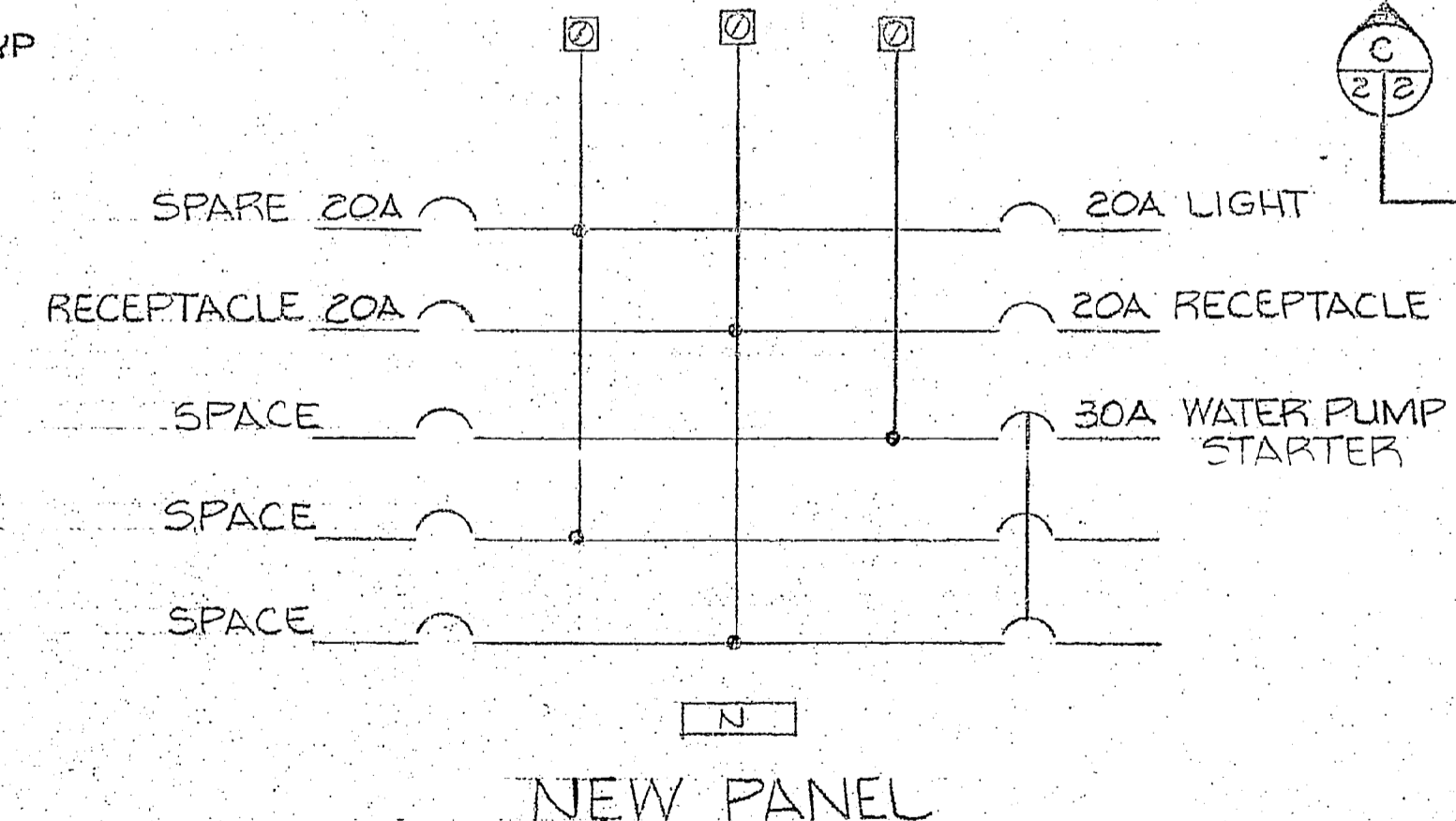
\$32,000  
Start 45-60 days  
Comp 29 spec.



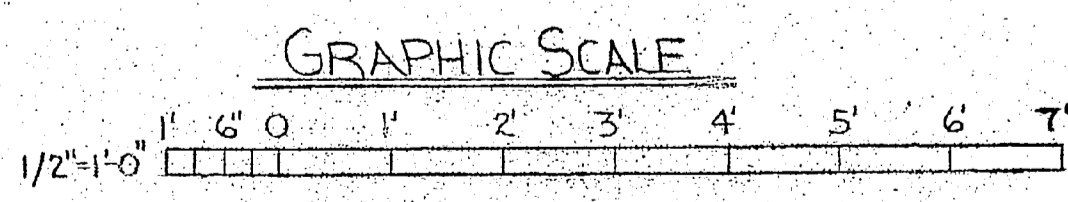
DETAIL A  
SCALE: 1/2"=1'-0"



SECTION B  
SCALE: 1/2"=1'-0"



NEW PANEL



SATISFACTORY TO \_\_\_\_\_  
DATE \_\_\_\_\_

PUBLIC WORKS DEPT. MARINE CORPS BASE CAMP LEJEUNE, N.C.	DEPARTMENT OF THE NAVY NAVAL FACILITIES ENGINEERING COMMAND ATLANTIC DIVISION NAVAL STATION MARINE CORPS BASE, CAMP LEJEUNE, N.C.
DESIGNED BY DR. J. C. WILSON	PROJECT NO. 10-504
PRODUCED BY J. H. ENGLISH	REBUILD WELL FACILITY TC-504
APPROVED BY _____ DATE _____	MECHANICAL & ELECTRICAL PLANS, SECTIONS & DETAILS
PUBLIC WORKS OFFICER	NAVFAC DRAWING NO. 4043669
SATISFACTORY TO _____ DATE _____	CONSTR. CONTR. NO. 1162470-6018-2003
COMMANDING GENERAL	SCALE: SHOWN SPEC. 05-20-2003 SHEET 2 OF 2
EFD _____ RVD _____	FOR COMMANDER, NAVFAC
NO _____ DIR _____ DATE _____	LANTORY USE TO

