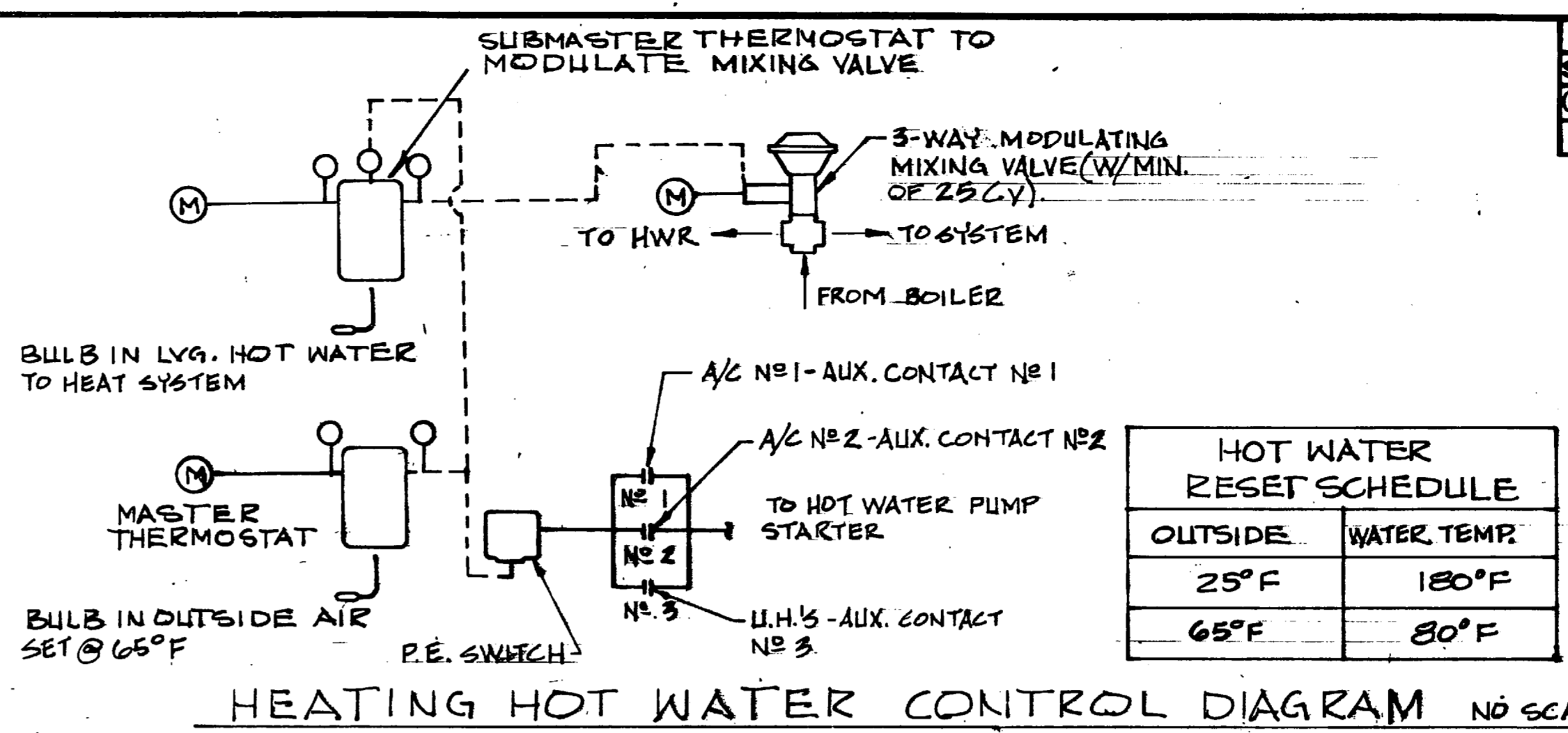
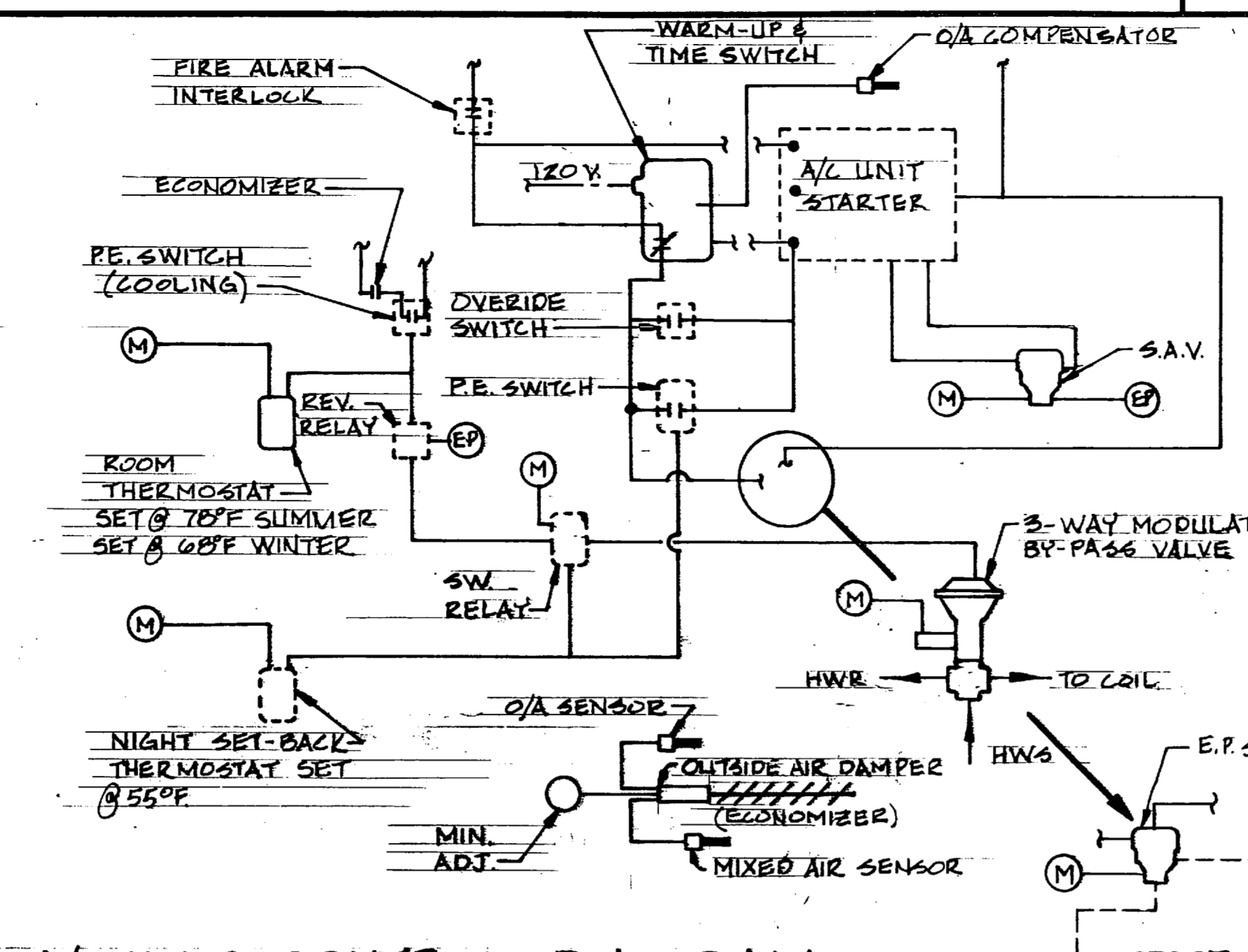
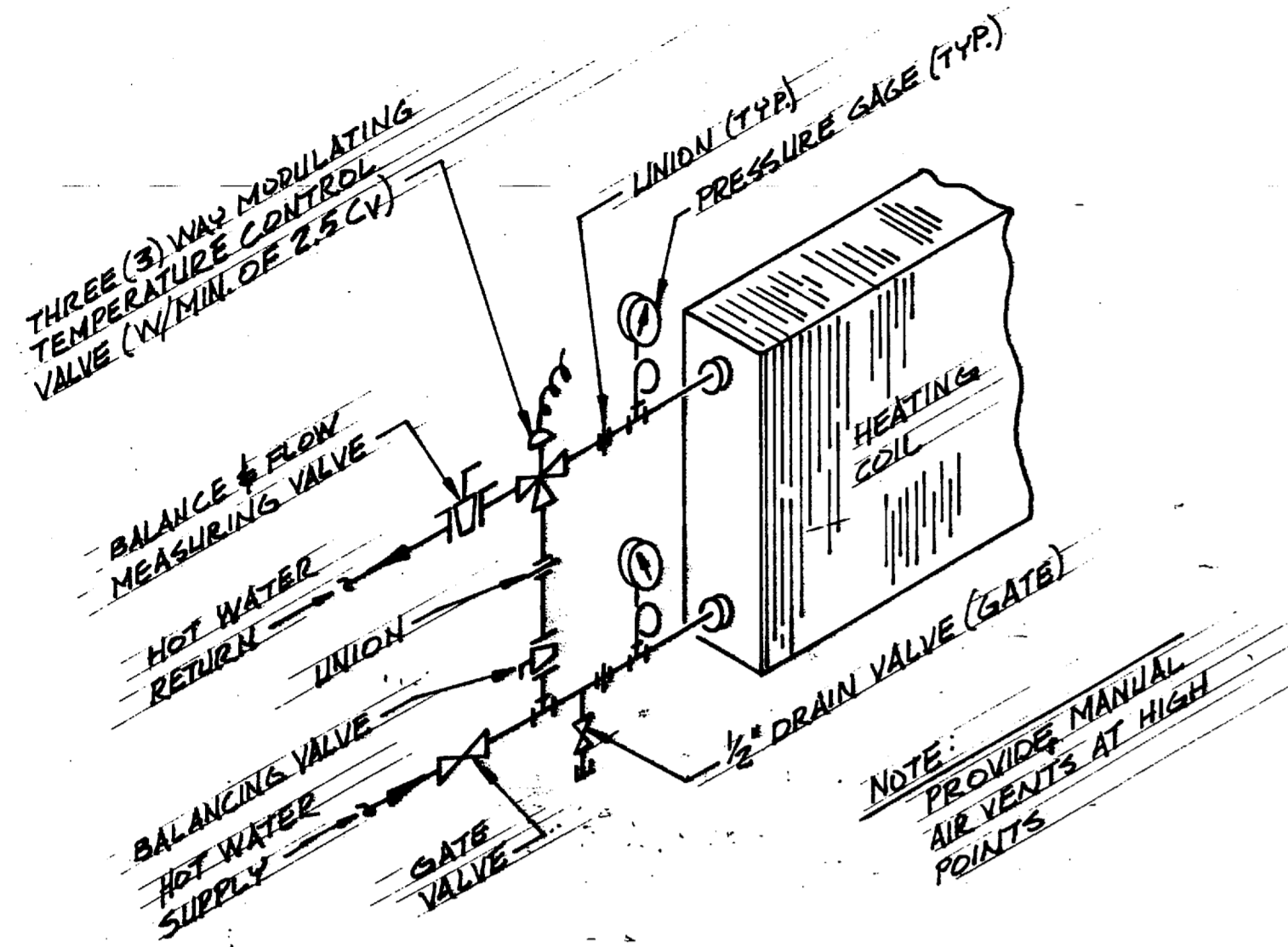
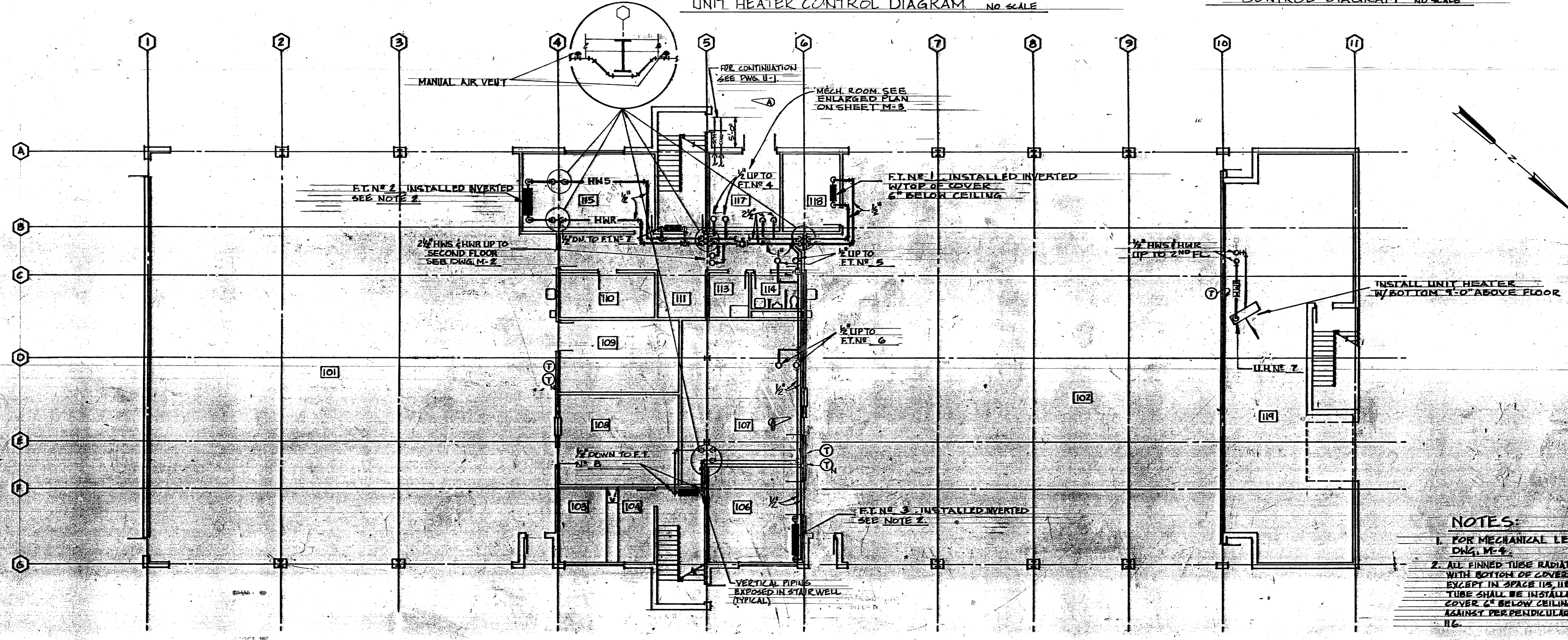
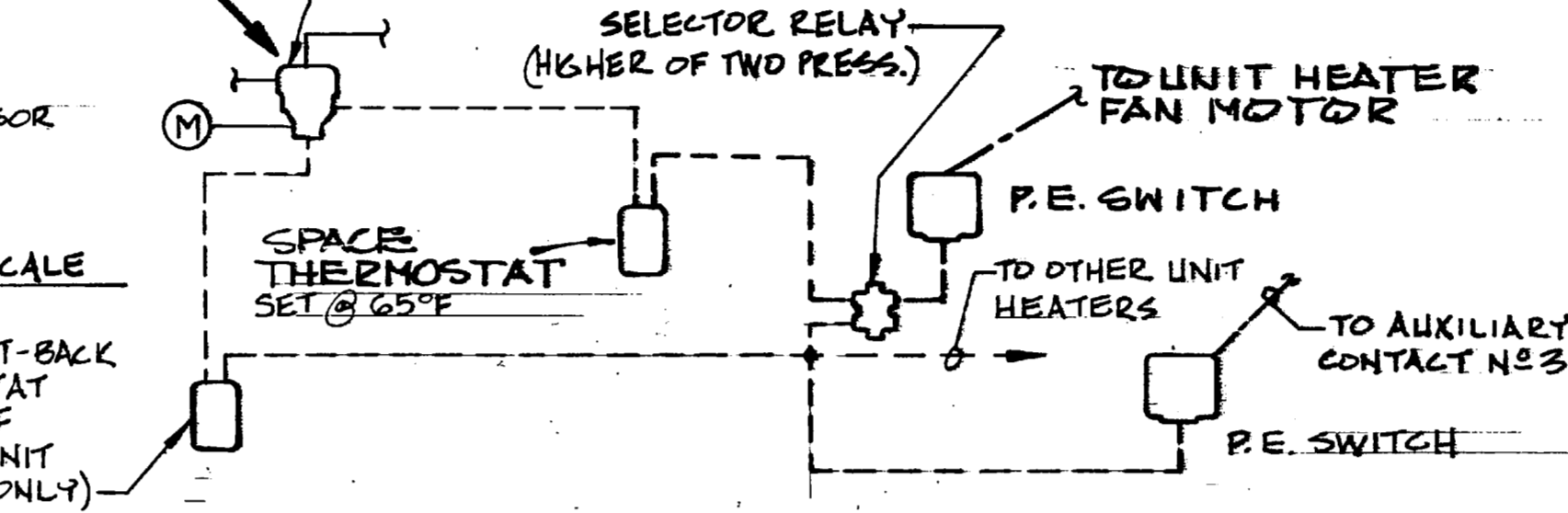
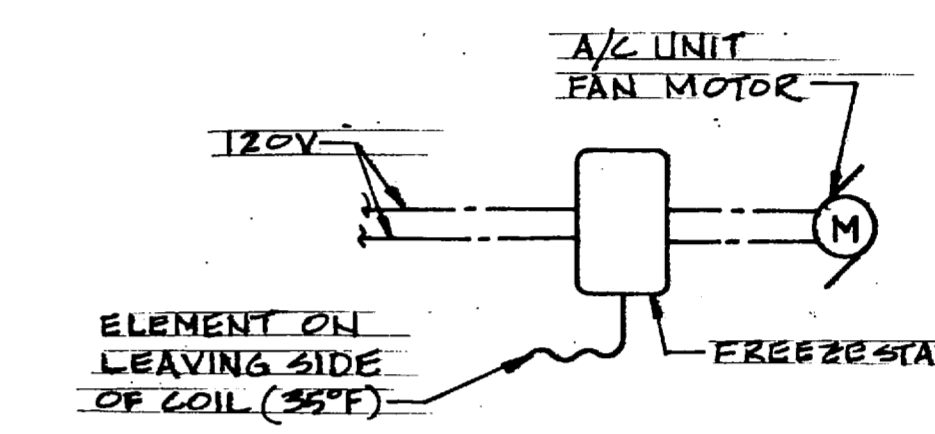
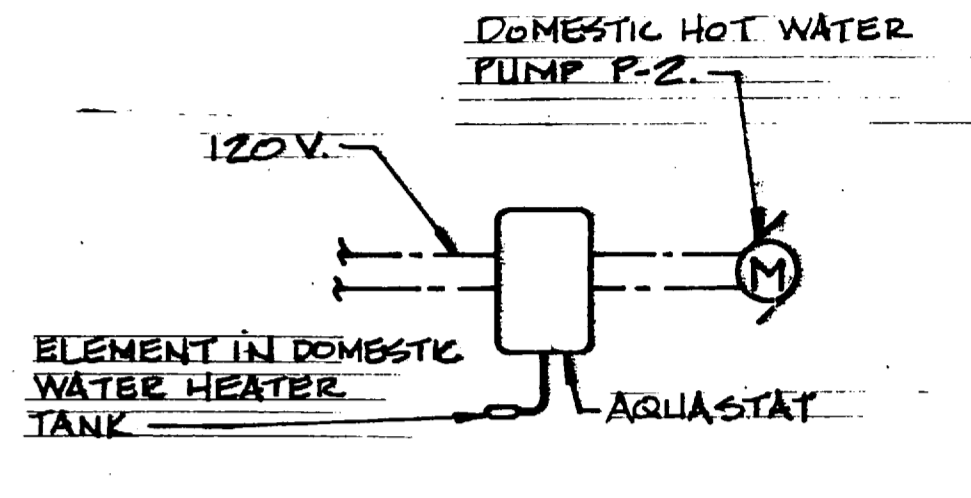


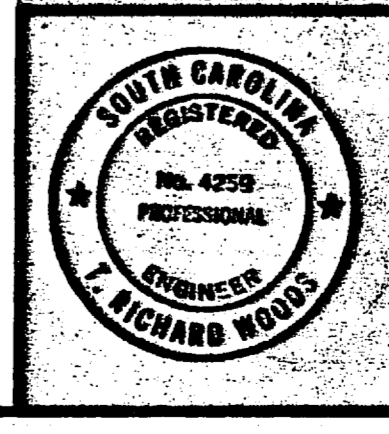
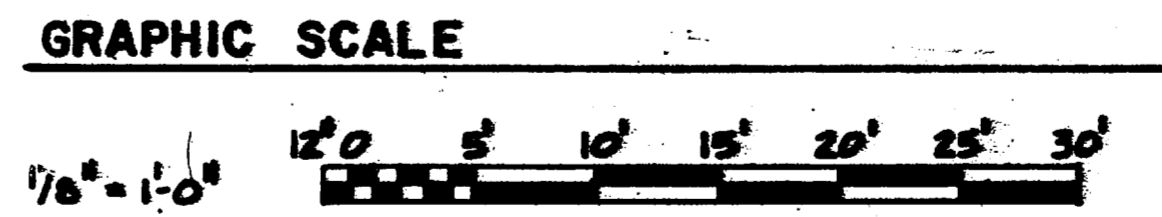
REVISIONS		
SYM	DESCRIPTION	DATE APPROVED
A	REVISED - "AS BUILT"	10/10/81 EMP



HOT WATER RESET SCHEDULE	
OUTSIDE	WATER TEMP
25°F	180°F
65°F	80°F



- NOTES:**
- FOR MECHANICAL LEGEND SEE DWG. M-4.
 - ALL FINNED-TUBE RADIATION SHALL BE INSTALLED WITH BOTTOM OF COVER 1'-0" ABOVE FINE FL. EXCEPT IN SPACE 115, 116, 117 IN WHICH FINNED-TUBE SHALL BE INSTALLED INVERTED WITH COVER 2" BELOW CEILING IN RM. 115 & TIGHT AGAINST PERPENDICULAR BEAMS IN RM. 116 & 117.



RECORD DRAWING
DATE 10 OCT 1981

Bldg. 1450

MBTB
ARCHITECTS-ENGINEERS
1001 SOUTH CHASE DRIVE
DURHAM, N.C. 27701

DEPARTMENT OF THE ARMY
ATLANTIC DIVISION
NAVAL STATION
DURHAM, VIRGINIA

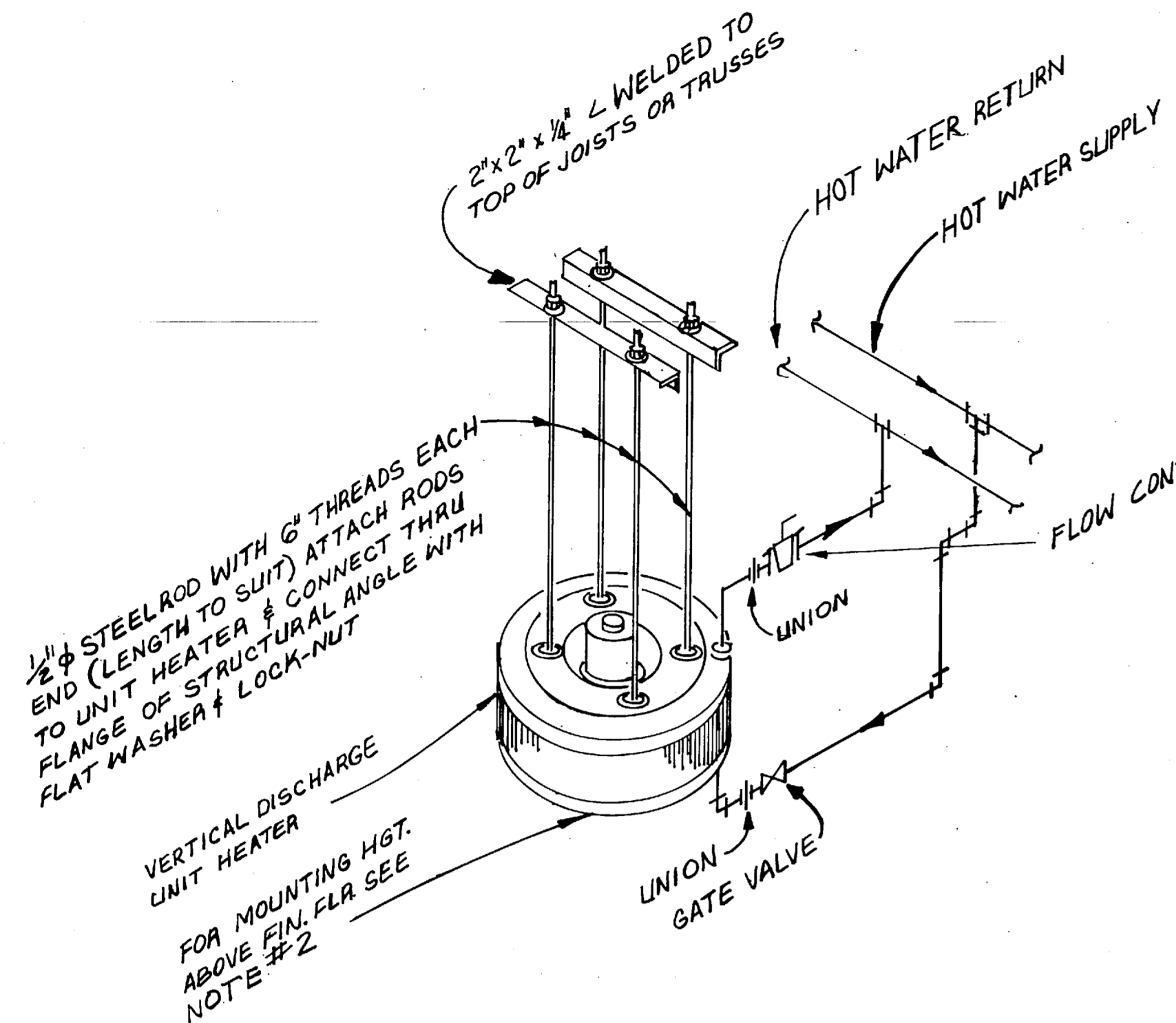
MCB CAMP LEJEUNE, N.C.
COMBAT VEHICLE MAINTENANCE SHOPS
HEATING, FIRST FLOOR PLAN
2d FIELD ARTILLERY GROUP

APPROVED: [Signature] DATE: [Blank]
OFFICER IN CHARGE: [Blank]
SCALE: AS SHOWN SPEC. 05-79-9215 (SHEET 48 OF 73)

SIZE CODE SHEET NO. 4050122
F 80091
CONSTR. CONTR. NO. N62470-79-B-9215
SHEET 48 OF 73
150122

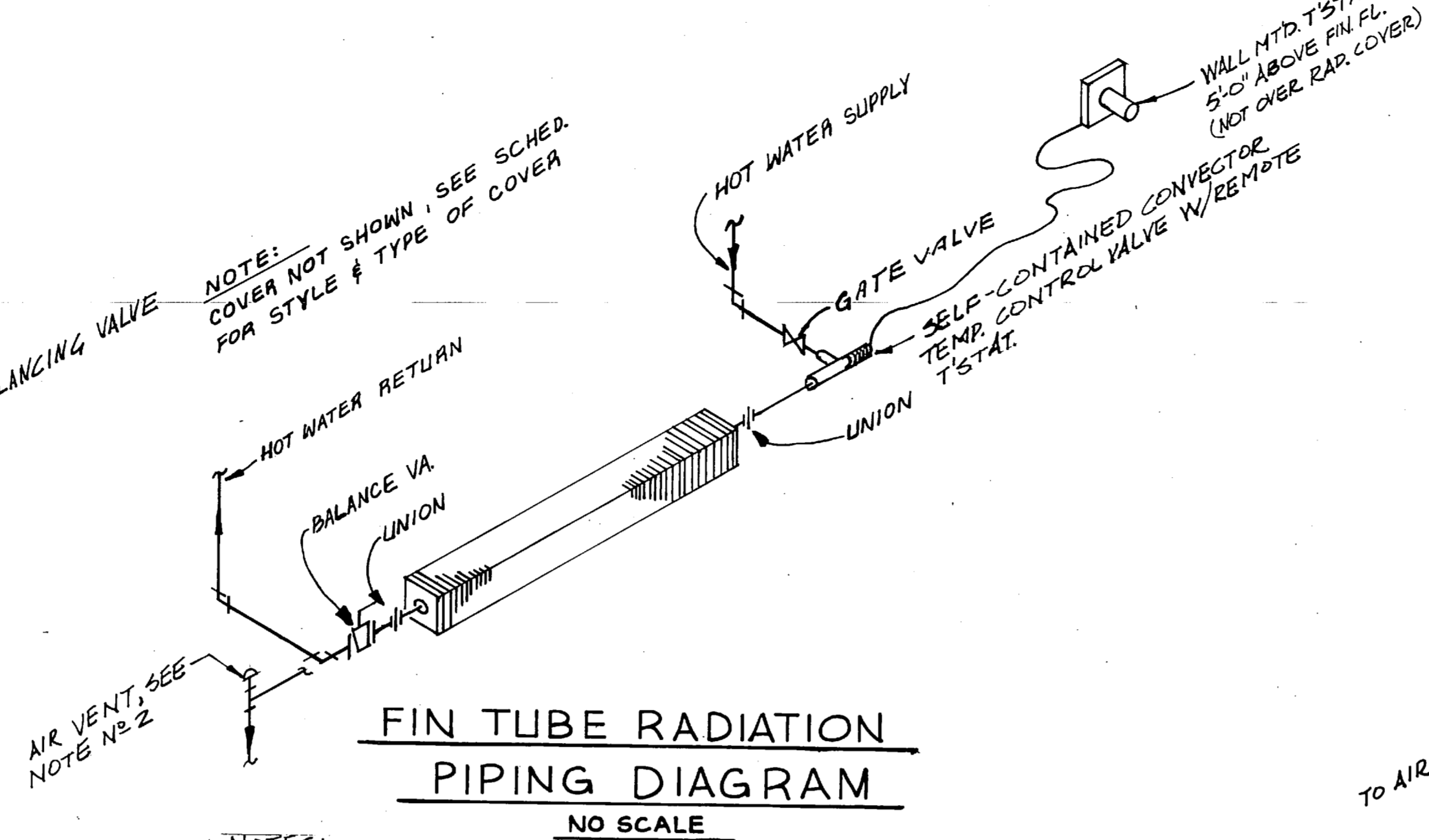
B190. 1780

REVISIONS			
SYM	DESCRIPTION	DATE	APPROVED



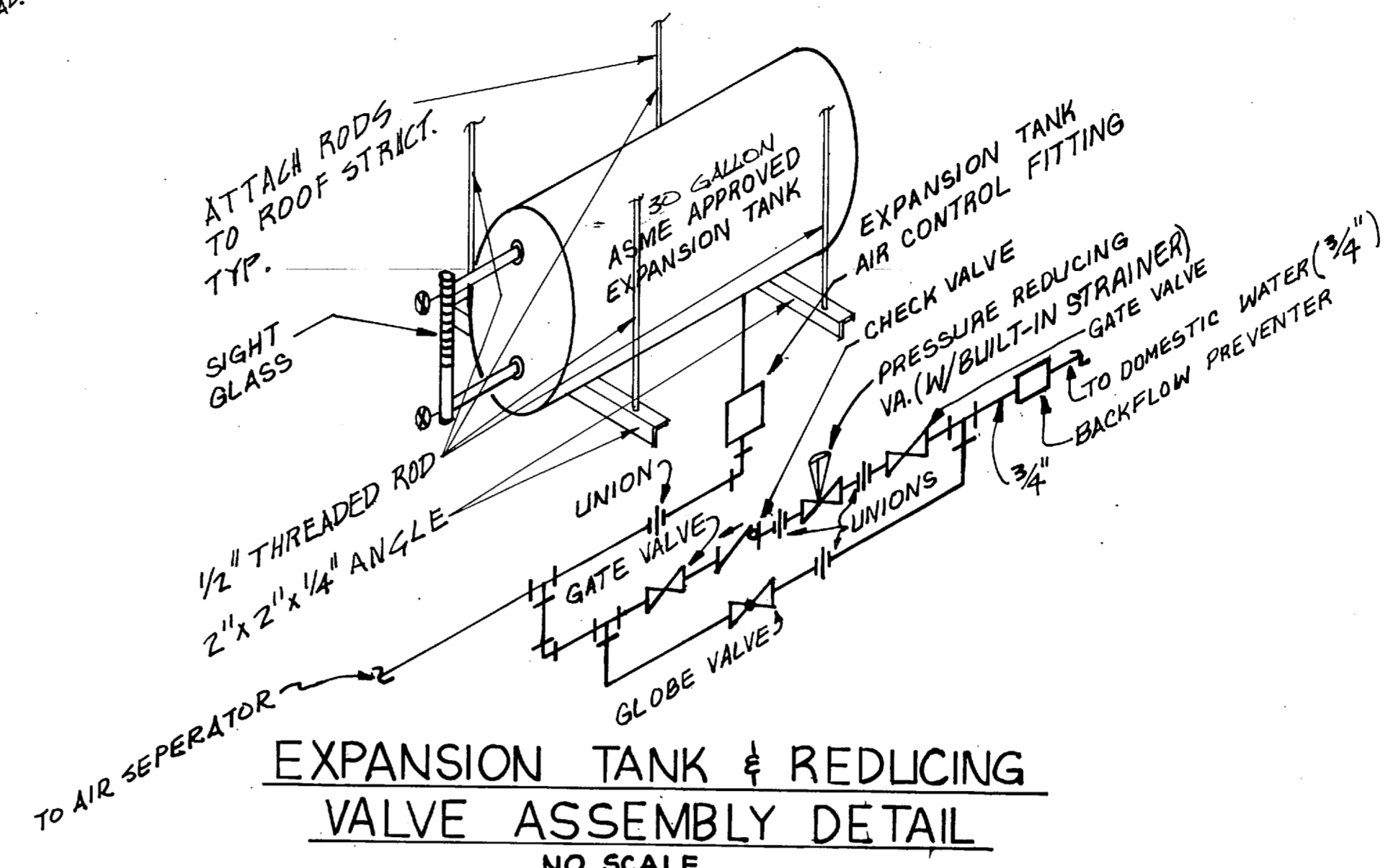
TYPICAL VERTICAL STEAM UNIT HEATER
NO SCALE

- NOTES:
1. HORIZONTAL UNIT HEATERS TYPICAL
 2. VERTICAL UNIT HEATERS SHALL BE INSTALLED W/ BOTTOM OF DIFFUSER EVEN WITH OR ABOVE THE BOTTOM CHORD OF TRUSSES. HORIZONTAL UNIT HEATERS SHALL BE INSTALLED WITH BOTTOM 9'-0" ABOVE FINISHED FLOOR.

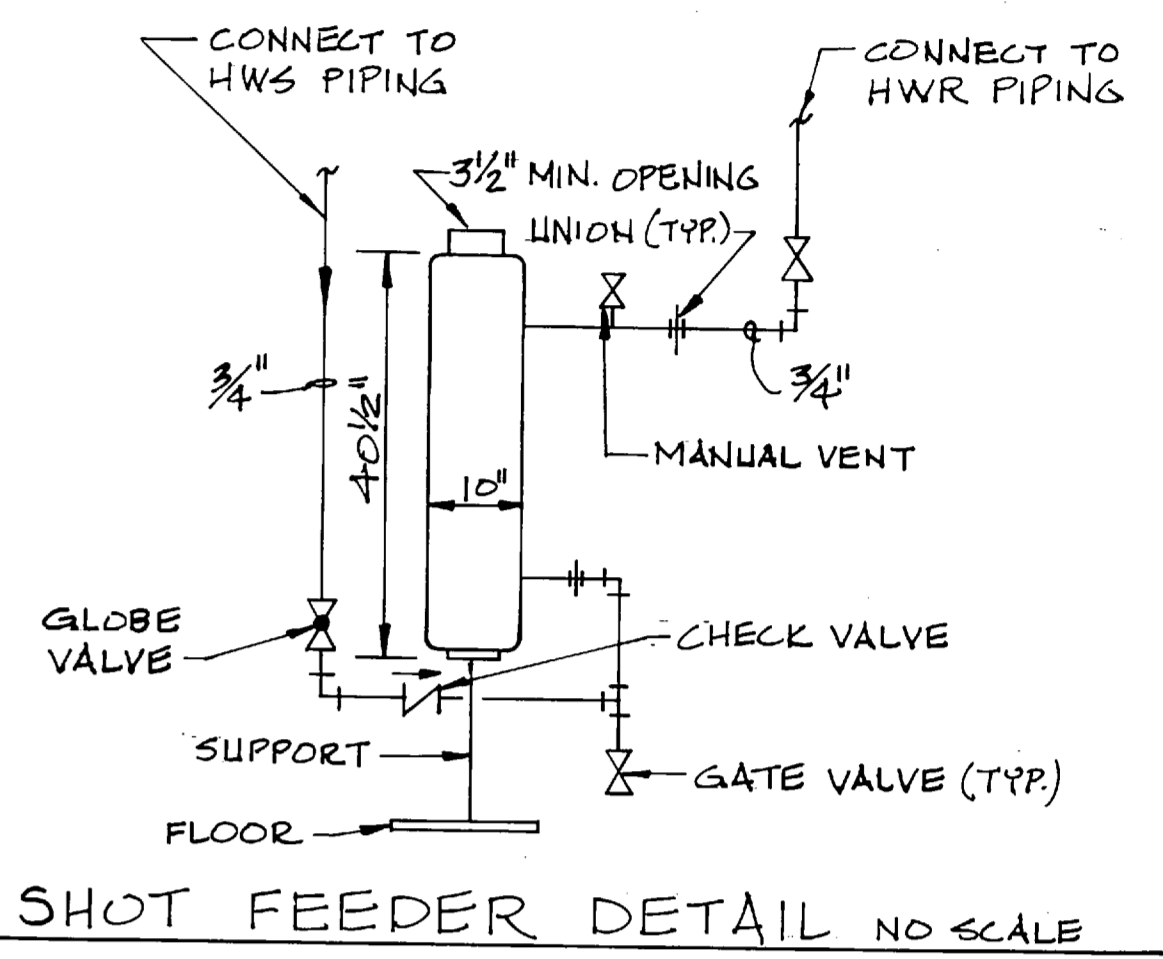


FIN TUBE RADIATION PIPING DIAGRAM
NO SCALE

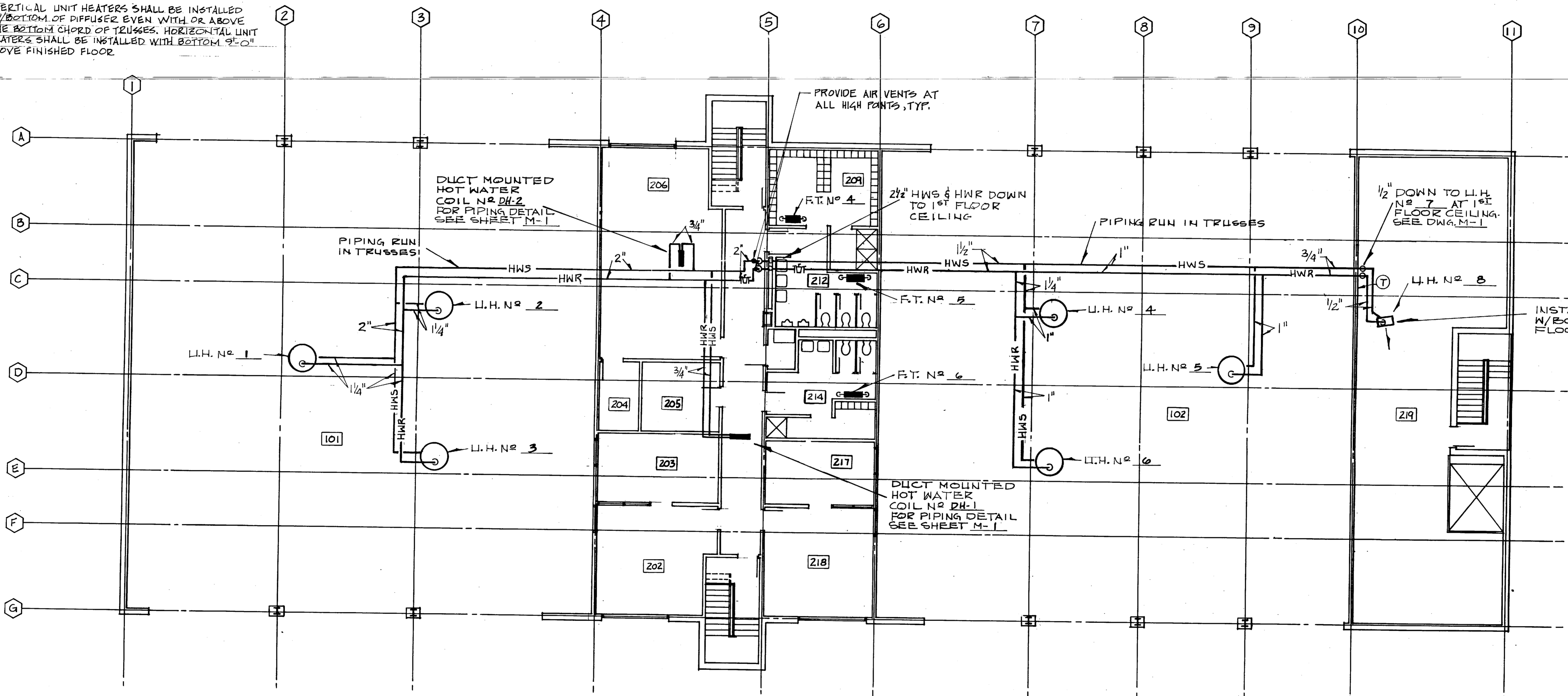
- NOTES:
1. FINNED TUBE RADIATION SHALL BE INSTALLED WITH BOTTOM OF COVER 1'-0" ABOVE FLOOR, UNLESS NOTED OTHERWISE.
 2. PROVIDE AIR VENT ON LEAVING SIDE OF FINNED TUBE RADIATION SUPPLIED FROM BELOW.
 3. DO NOT MOUNT T-STAT DIRECTLY ABOVE FINNED TUBE. PROVIDE OFF TO ONE SIDE.



EXPANSION TANK & REDUCING VALVE ASSEMBLY DETAIL
NO SCALE

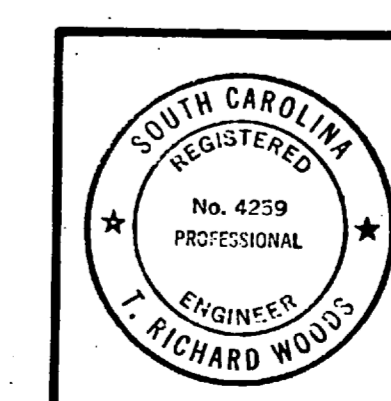
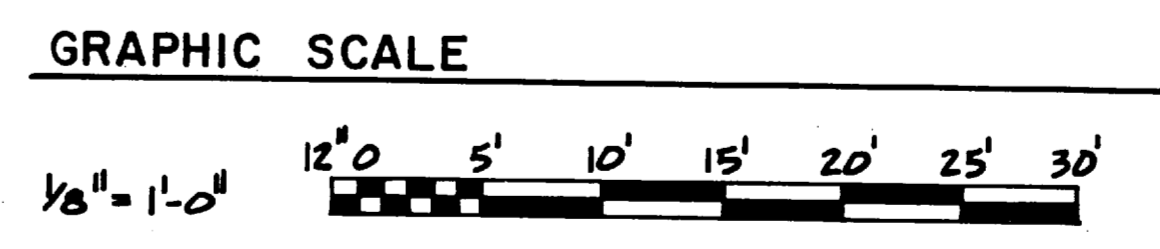


SHOT FEEDER DETAIL NO SCALE



SECOND FLOOR PLAN SCALE: 1/8" = 1'-0"

- NOTES:
1. VERTICAL UNIT HEATERS SHALL BE INSTALLED W/ BOTTOM OF DIFFUSER EVEN WITH OR ABOVE THE BOTTOM CHORD OF TRUSSES.
 2. FINNED TUBE RADIATION SHALL BE INSTALLED WITH BOTTOM OF COVER 1'-0" ABOVE FLOOR ON THIS FLOOR.
 3. FOR MECHANICAL LEGEND, SEE DWG. M-4.



RECORD DRAWING
DATE 18 OCT. 1981

Bldg 1450 **M-2**

MBTB
ARCHITECTS-ENGINEERS
GREENVILLE, SOUTH CAROLINA 29602

DEPARTMENT OF THE NAVY
NAVAL FACILITIES ENGINEERING COMMAND
ATLANTIC DIVISION
NAVAL STATION
MORFORD, VIRGINIA

DES. WOODS DR. MATHIS CHR. WOODS
PROJ. MGR. TOWNSENDCH. ENGR. BUNNES
SUBMITTED BY: DATE: 10/17/81
FIRM MEMBER: PRINCIPAL
EFD. FE. DR. RVD. DR.
NO. 1450 DR. 102
APPROVED: DATE: 10/17/81

OFFICER IN CHARGE: DATE: 10/17/81
APPROVED: DATE: 10/17/81
FOR EFD FOR COMMANDER, NAVFAC

MCB
COMBAT VEHICLE MAINTENANCE SHOPS
HEATING, SECOND FLOOR PLAN
2d FIELD ARTILLERY GROUP

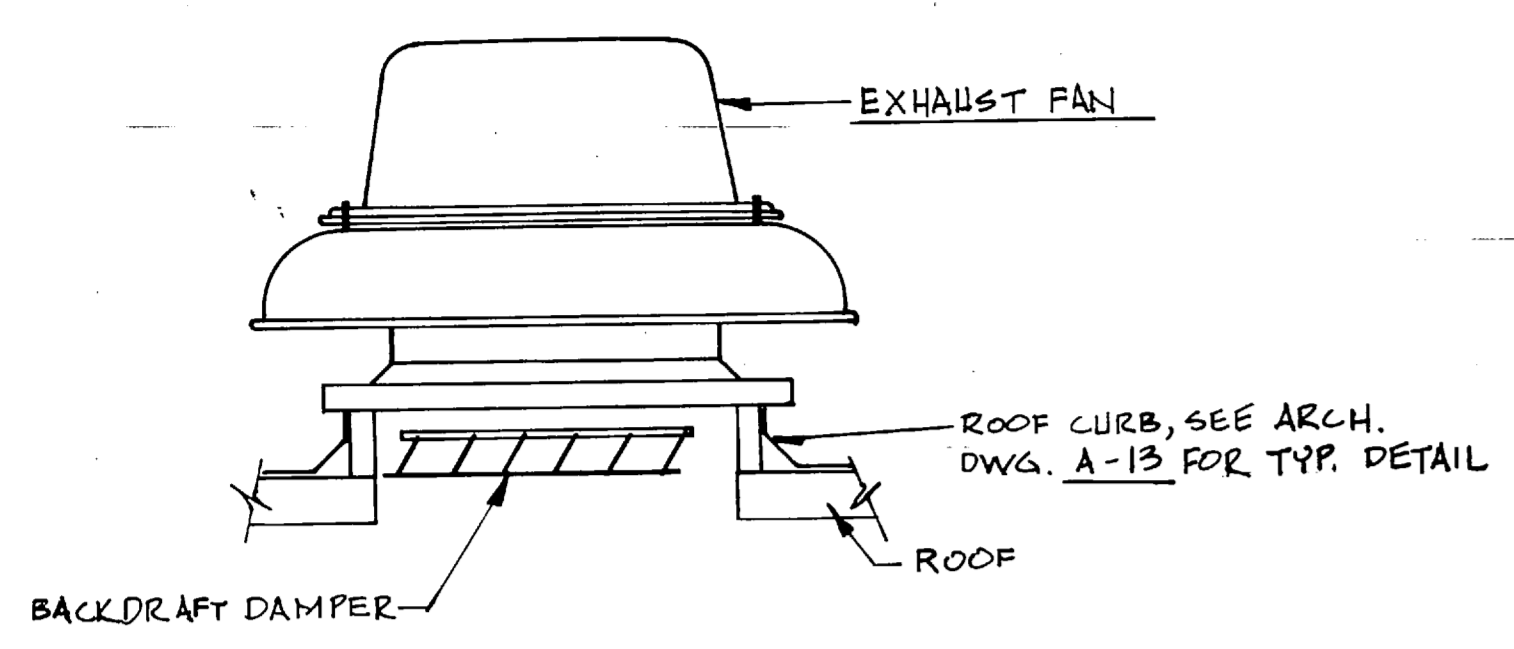
SIZE: F
CODE IDENT. NO.: 80091
NAVFAC DRAWING NO.: 4 0 5 0 1 2 3
COMBTR. CONTR. NO.: N62470-79-B-9215
SCALE: AS SHOWN SPEC. 05-79-9215
SHEET 69 OF 79

EFD. DWG. NO.: 15 0 1 2 3

B19c 1420

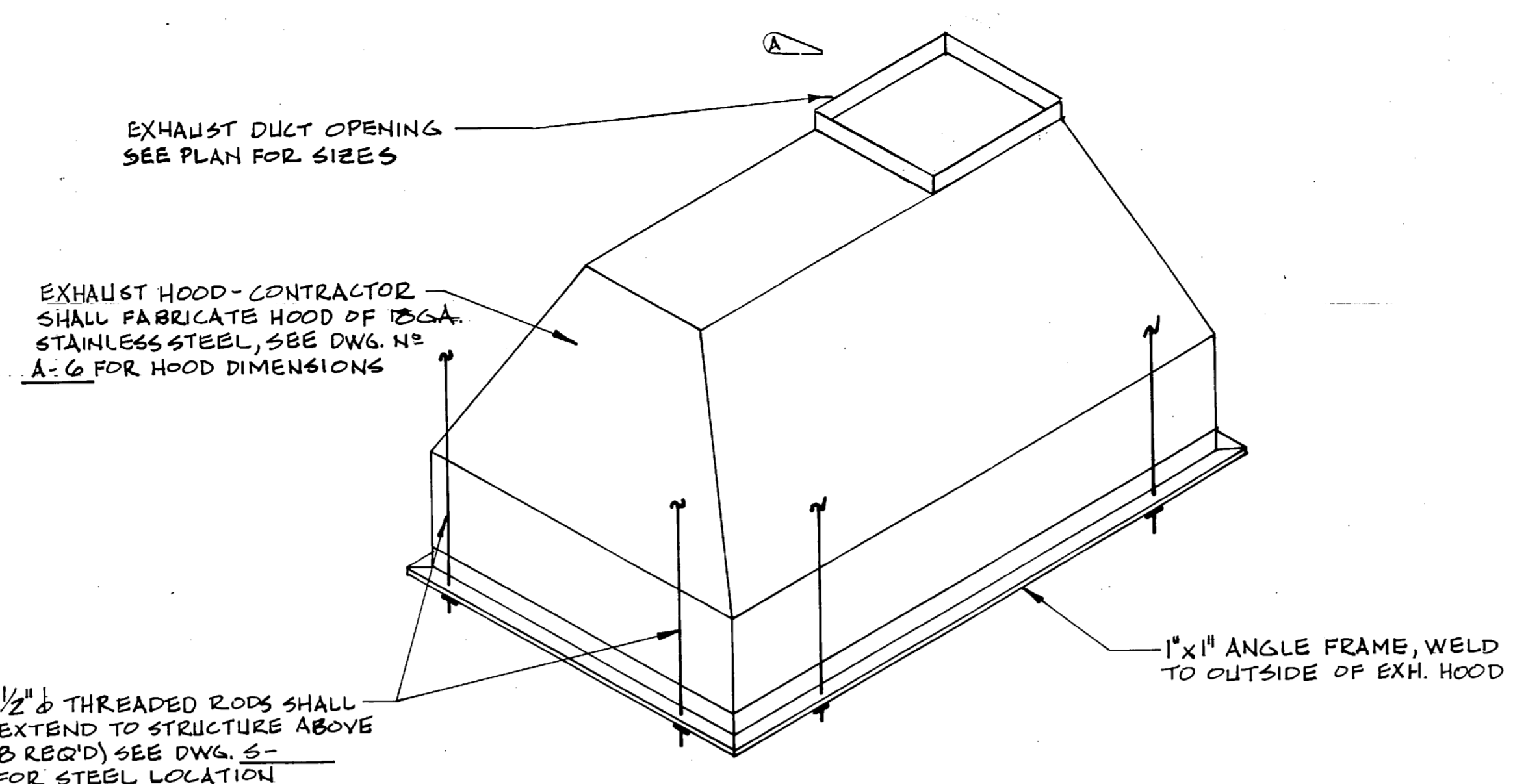
REVISIONS		
SYM	DESCRIPTION	DATE APPROVED
A	REVISED - "AS BUILT"	10/16/81 RMT

LEGEND	
⊖	THERMOSTAT
⊖N	THERMOSTAT W/NITE SETBACK
→	DIRECTION OF FLOW
CFM	CUBIC FEET PER MINUTE
⊠	SUPPLY AIR DIFFUSER (4-WAY) W/VOL. DPR.
⊠	RETURN OR EXHAUST GRILLE (W/VOL. DPR.)
⊠	GATE VALVE
⊠	CHECK VALVE
⊠	GLOBE VALVE
⊠	STRAINER
⊠	PRESSURE GAGE
⊠	UNION
⊠	BALANCE VALVE
⊠	FLOW CONTROL BALANCING VALVE W/PRESS. TAPS
10"x10" N.S.	DIFFUSER, NECK SIZE
⊠	EXHAUST FAN
FOS	FUEL OIL SUPPLY
FOR	FUEL OIL RETURN
⊠	SPLITTER DAMPER
⊠	TURNING VANES
HWS	HOT WATER SUPPLY
HWR	HOT WATER RETURN
⊖	MANUAL DAMPER CONTROL

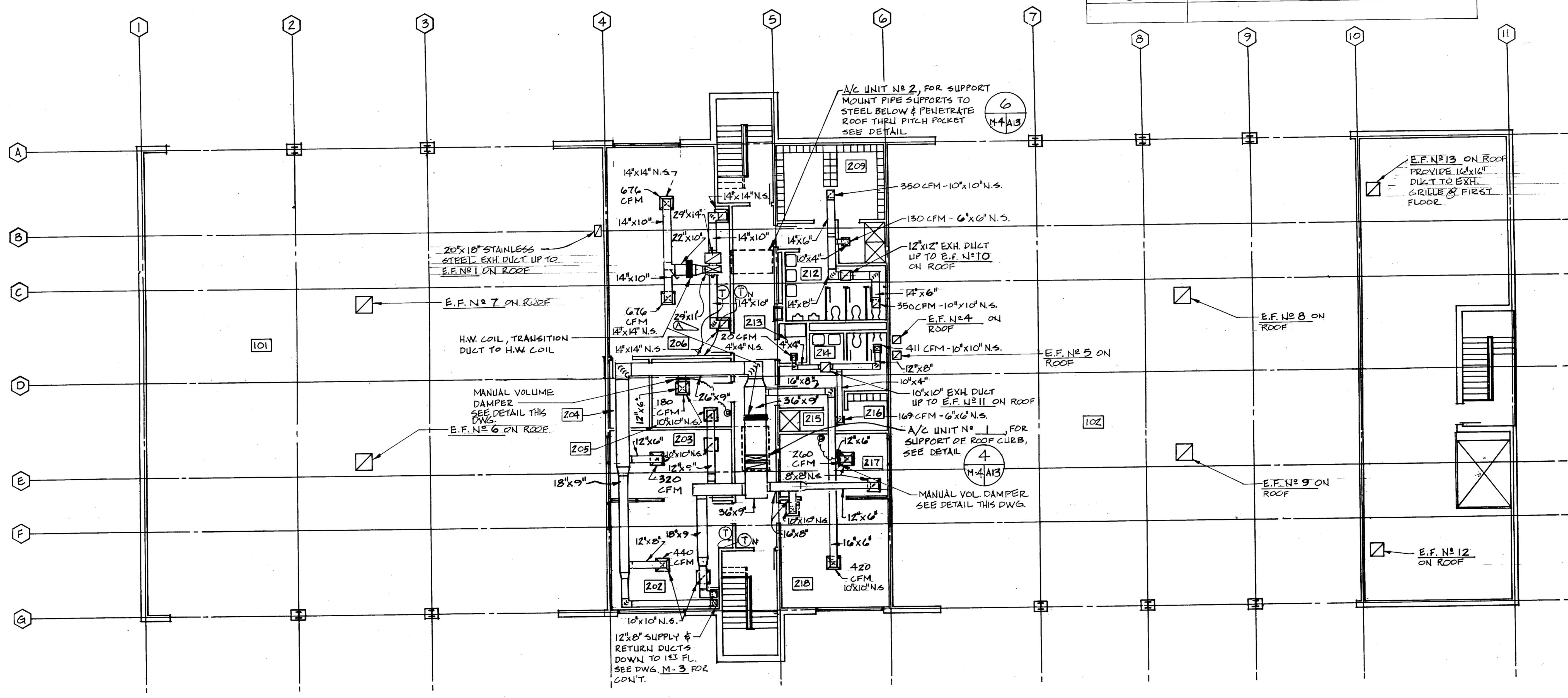


EXHAUST FAN DETAIL NO SCALE

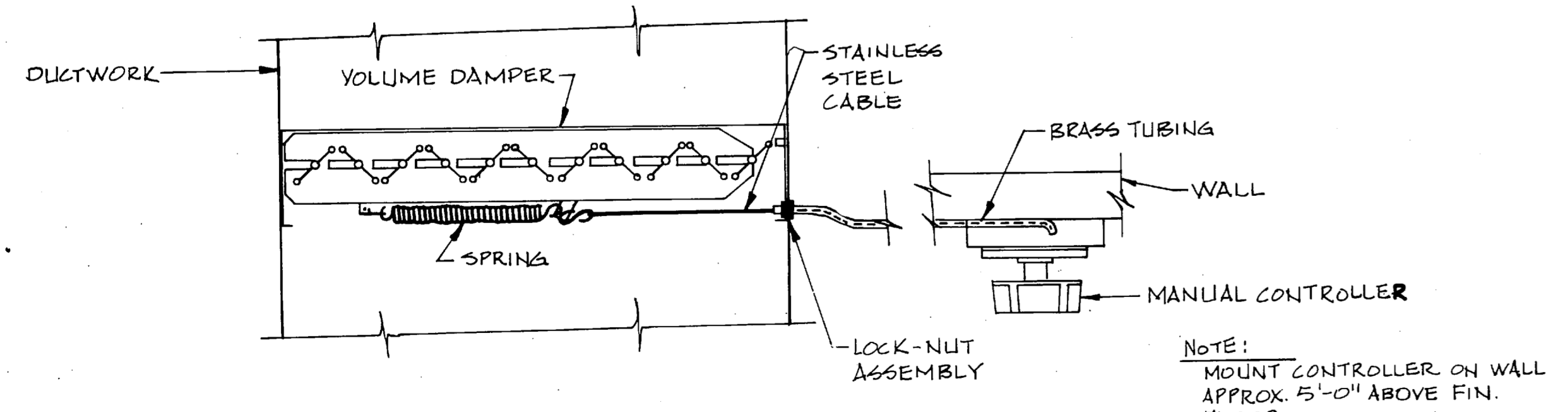
NOTE:
 1. CONTRACTOR SHALL PROVIDE EXHAUST DUCTWORK UP TO ROOF OPENING, WHERE INDICATED.
 2. IN WORK BAY BACKDRAFT DAMPER SHALL BE MOTORIZED AND INTERLOCKED TO OPEN ONLY WHEN FAN IS ON. GRILLES WILL NOT BE REQ'D. FOR EXH. FANS IN WORK BAY.



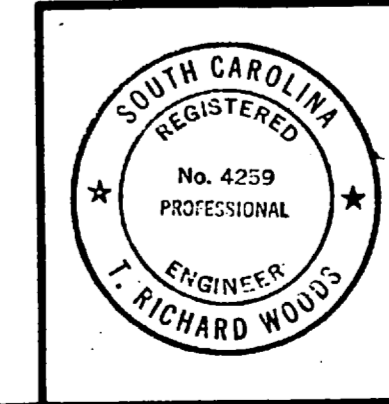
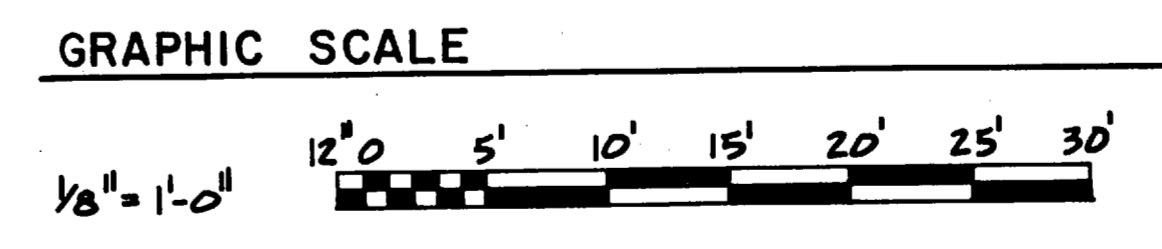
BATTERY SINK EXHAUST HOOD DETAIL NO SCALE



SECOND FLOOR PLAN SCALE: 1/8" = 1'-0"



MANUAL VOLUME DAMPER DETAIL NO SCALE



Bldg 1450 M-4	
MBTB ARCHITECTS-ENGINEERS <small>ORRIN WOODS, CHAIRMAN</small> <small>DEB. WOODS, DR. MATTHEW CHAMBERS, DR. WOODS</small> <small>PROF. MEM. TRANSFERRED ENGR. SINCE</small> SUBMITTED BY: <i>Richard Woods</i> DATE: <i>10/27/81</i> FIRM MEMBER: <i>Richard Woods</i> PRINCIPAL EFO. FR. <i>2000</i> RVD. <i>2000</i> NO. <i>1000</i> DR. <i>1000</i>	DEPARTMENT OF THE NAVY ATLANTIC DIVISION <small>NAVAL STATION NORFOLK, VIRGINIA</small> MCB CAMP LEJEUNE, N.C. COMBAT VEHICLE MAINTENANCE SHOPS A/C & VENT., SECOND FLOOR PLAN 24 FIELD ARTILLERY GROUP
APPROVED: <i>[Signature]</i> DATE: <i>10/27/81</i> OFFICER IN CHARGE APPROVED: <i>[Signature]</i> DATE: <i>10/27/81</i> FOR EFO FOR COMMANDER, NAVFAC	NAVFAC DRAWING NO. 4050125 CONSTR. CONTR. NO. N62470-79-B-9215 SCALE: AS SHOWN SPEC. 05-79-9215 SHEET 71 OF 79 <small>EFO. DWG. NO. 150125</small>

RECORD DRAWING
 DATE 18 OCT. 1981

Bigg 1420