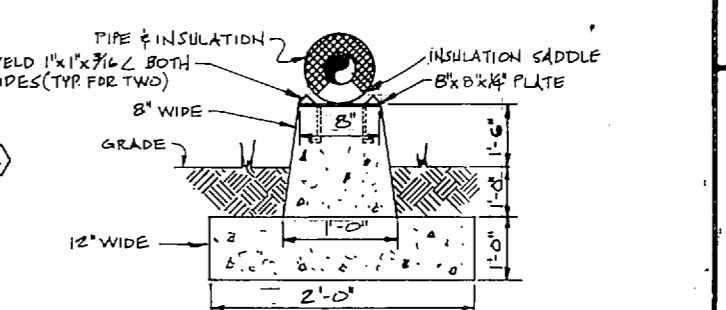
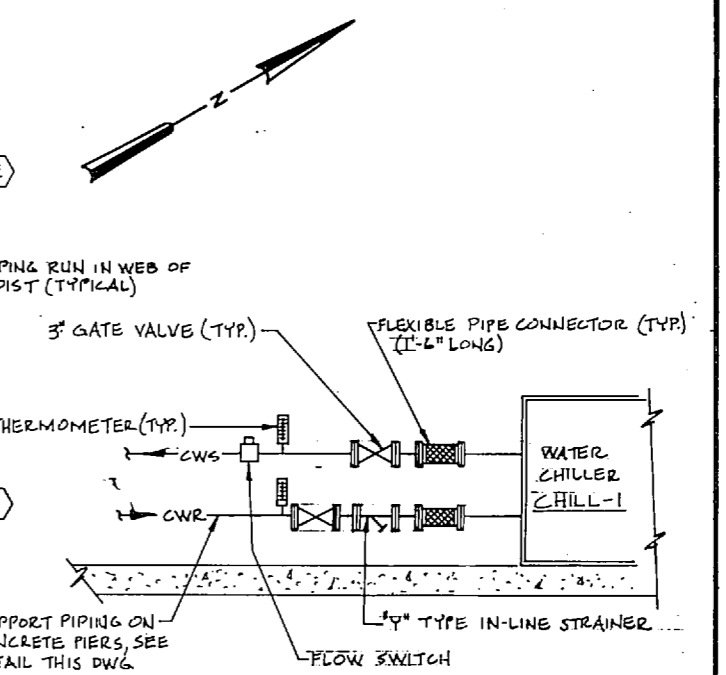
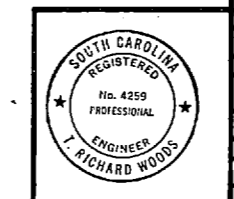
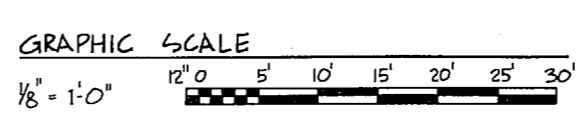
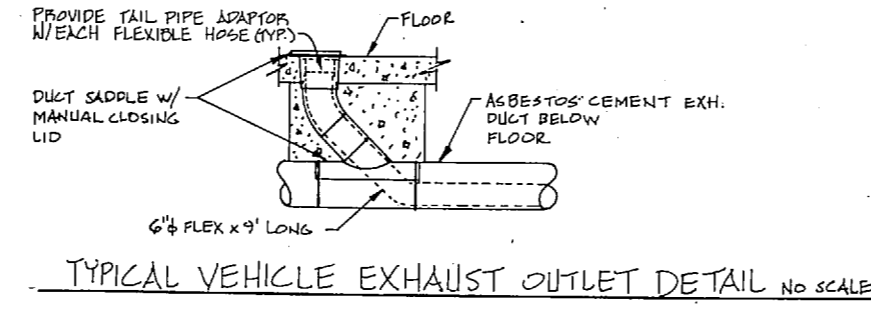
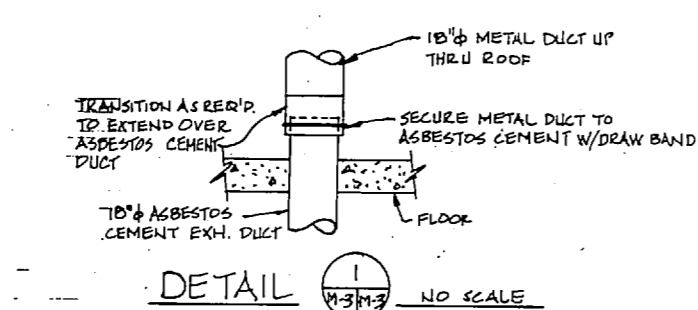


REVISIONS		
SYM	DESCRIPTION	DATE APPROVED

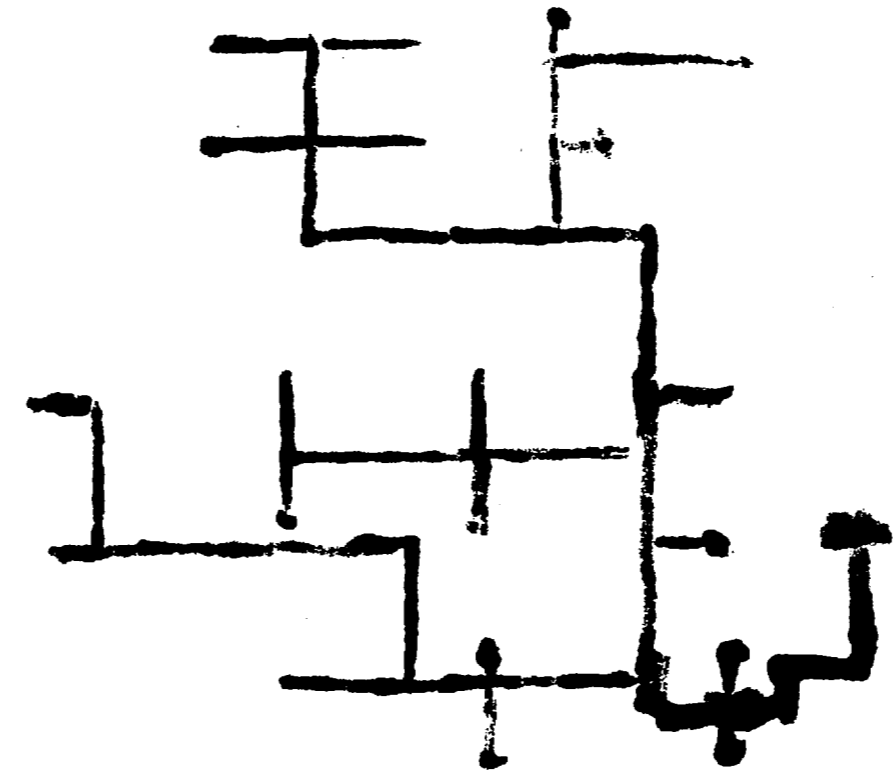


- NOTES:
1. WALL SLEEVES NOT SHOWN.
 2. FOR DETAILS, SEE DWG. M-2.
 3. CO-ORDINATE ROUTING OF DUCTWORK W/ PIPING.
 4. PROVIDE AIR EXTRACTORS AT DUCT BRANCH TAKE-OFFS.
 5. PROVIDE MOTORISED DAMPER IN OUTSIDE AIR AND EXHAUST DUCTS AT ALL AIR HANDLING UNITS.
 6. ALL SQUARE ELBOWS SHALL BE PROVIDED WITH TURNING VANES.
 7. RUN CONDENSATE DRAIN FROM A.H.U.'S ABOVE CEILING TO P-TRAP LOCATED ABOVE CEILING, SEE DWG. M-2 & M-9.

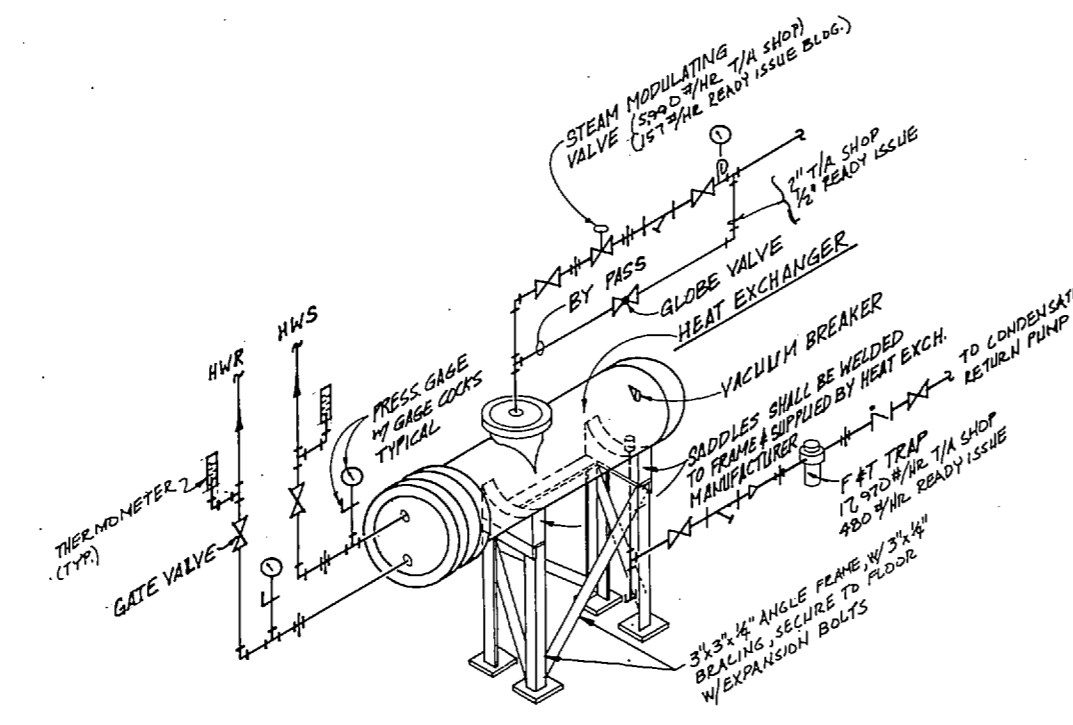
Bldg 1854



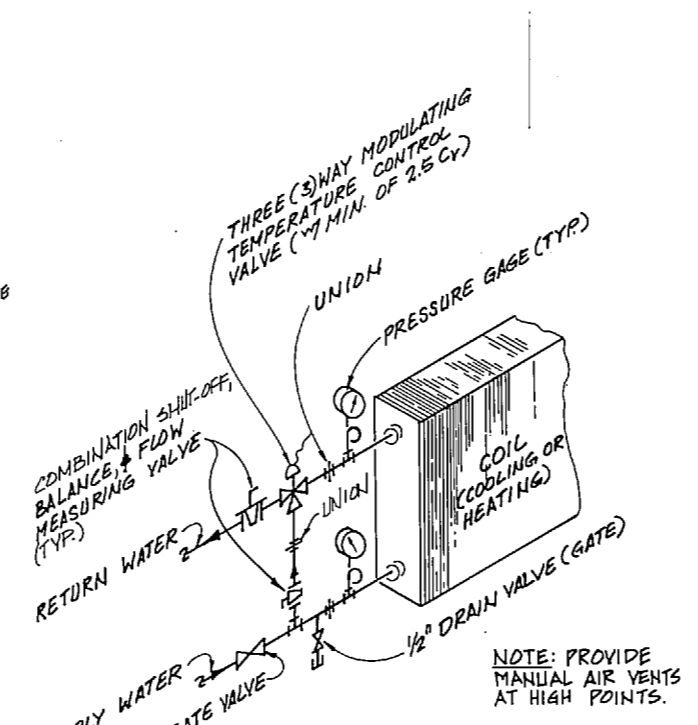
MBE ENGINEERS ARCHITECTS 100 S. HARRIS ST. WASHINGTON, D.C. 20004		M-3	
		DEPARTMENT OF THE NAVY ATLANTIC DIVISION NAVAL STATION NORFOLK, VIRGINIA	
DESIGNED BY: MATHIS, MATHIS, CHAMBERS & ASSOCIATES 100 S. HARRIS ST., WASHINGTON, D.C. 20004 DRAWN BY: J. WOODS CHECKED BY: J. WOODS DATE: 11/11/63		MCB CAMP LEJEUNE, N.C. TANK/AUTO MAINTENANCE FACILITY PART. A/C AND VENT. PLAN TANK/AUTO SHOP BLDG.	
APPROVED: [Signature] OFFICER IN CHARGE	DATE: 11/11/63	SET: F CODE: 80091	NAVFAC DRAWING NO: 4061932
SCALE: AS SHOWN SPEC. 00-79-9241		SHEET 58 OF 82 161932	



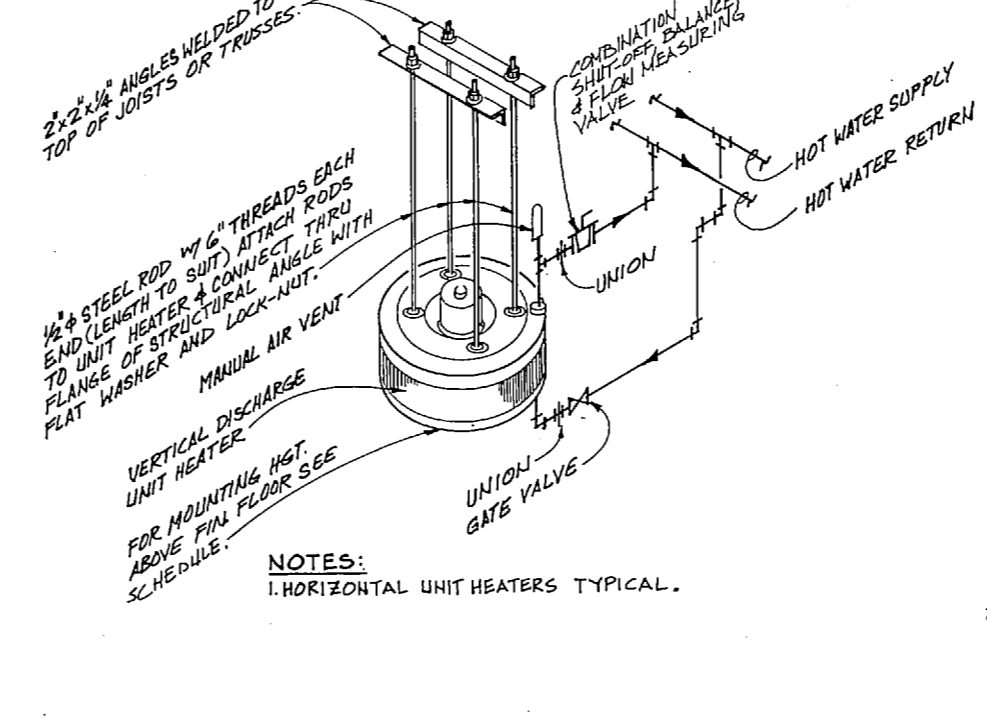
REVISIONS			
SYM	DESCRIPTION	DATE	APPROVED



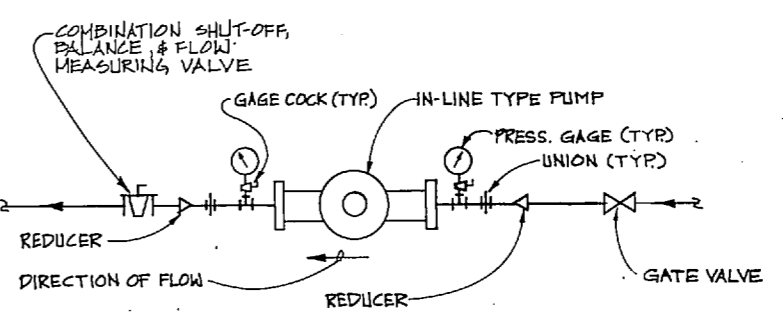
HEAT EXCHANGER DETAIL NO SCALE



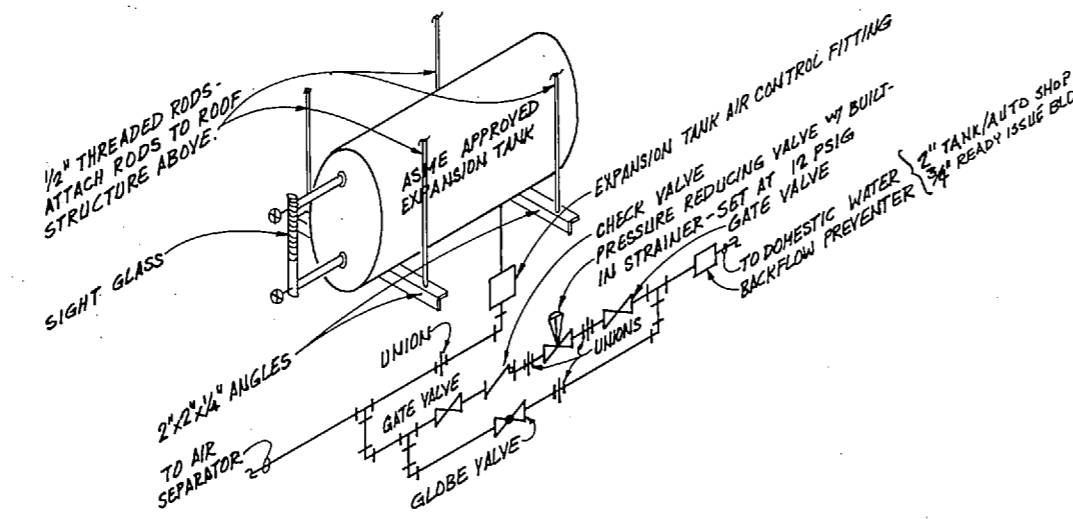
HOT & CHILLED WATER COIL PIPING DETAIL NO SCALE



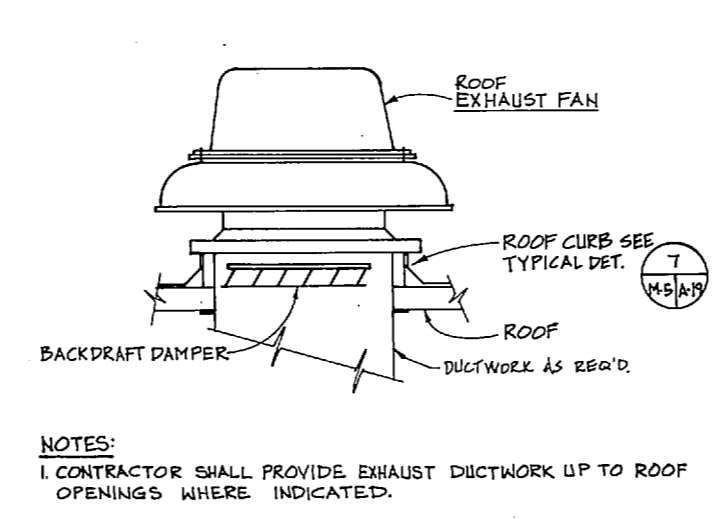
TYPICAL VERTICAL HOT WATER UNIT HEATER DETAIL NO SCALE



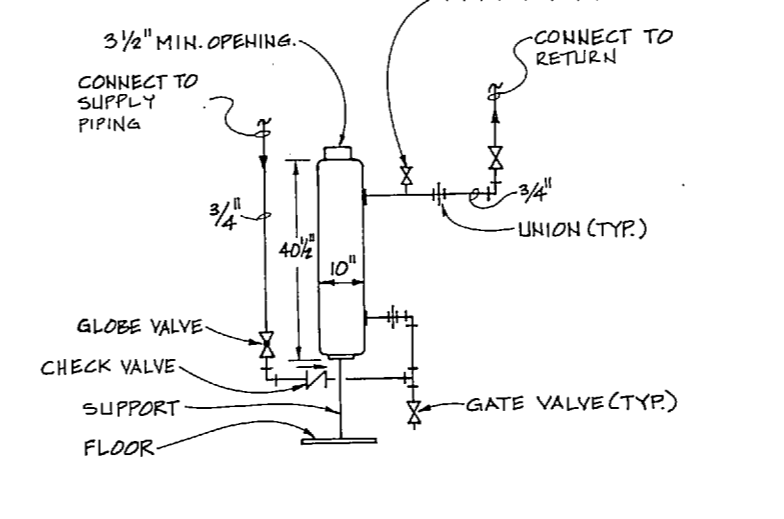
PUMP-PIPING SCHEMATIC NO SCALE



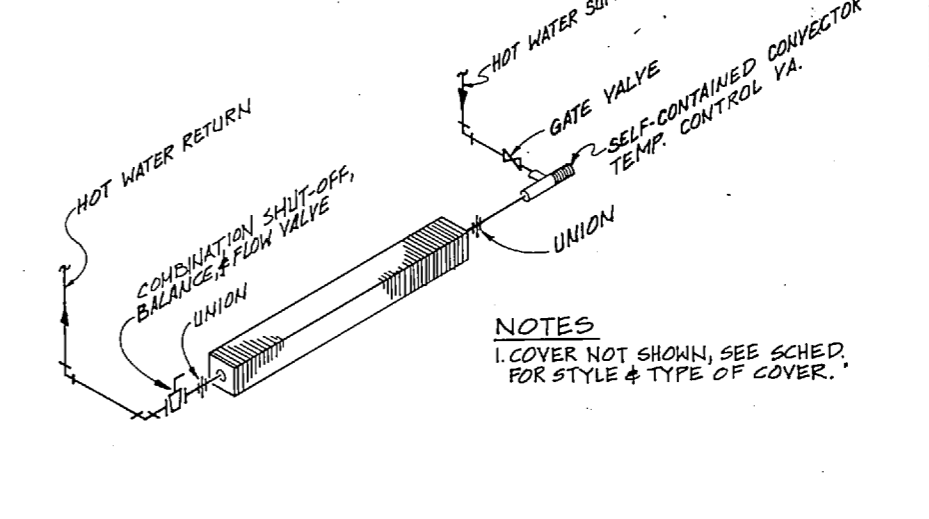
EXPANSION TANK & REDUCING VALVE ASSEMBLY DETAIL NO SCALE



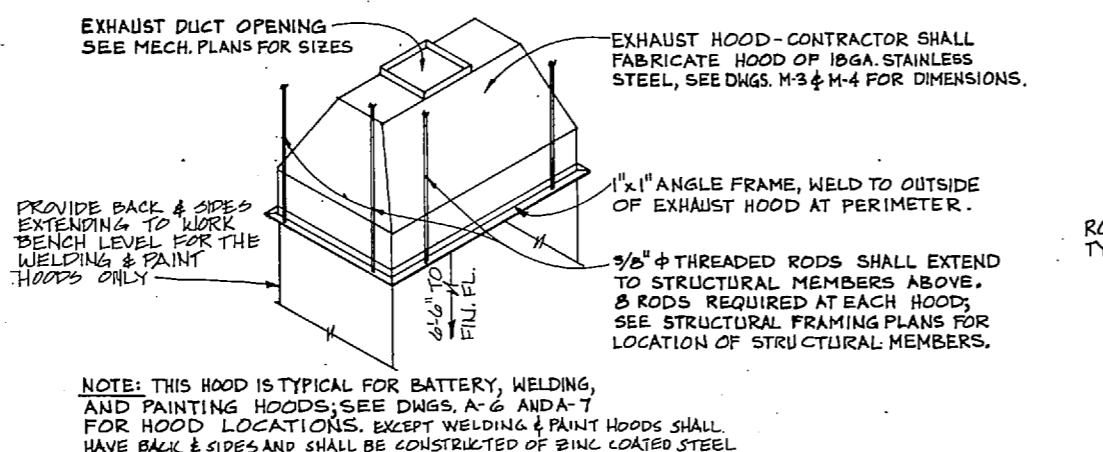
EXHAUST FAN DETAIL NO SCALE



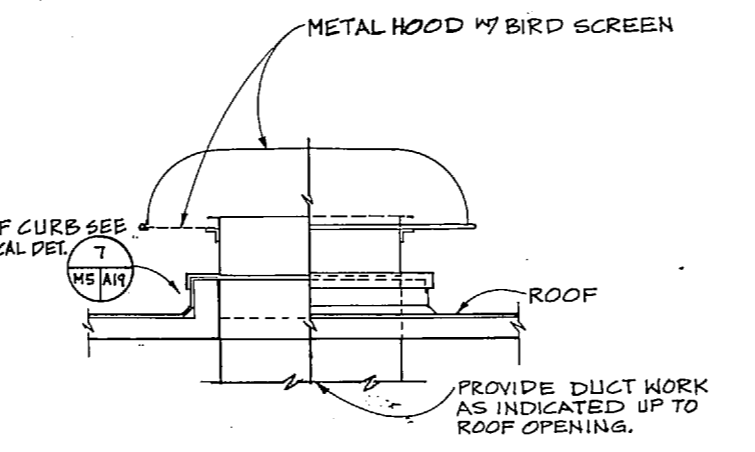
SHOT FEEDER DETAIL NO SCALE



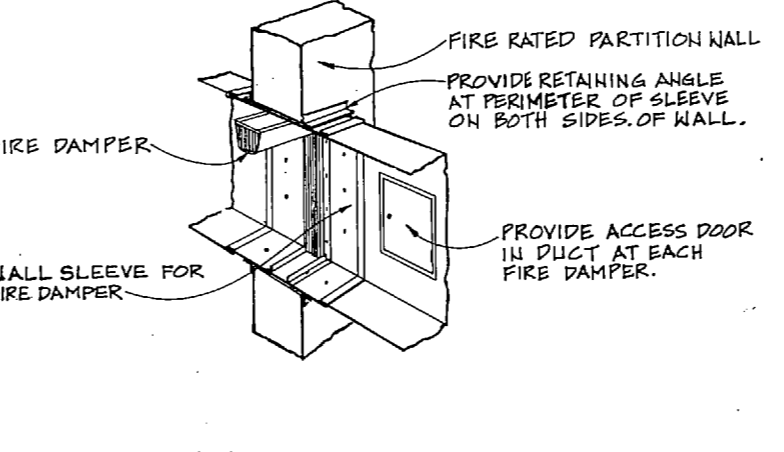
FIN TUBE RADIATION PIPING DIAGRAM NO SCALE



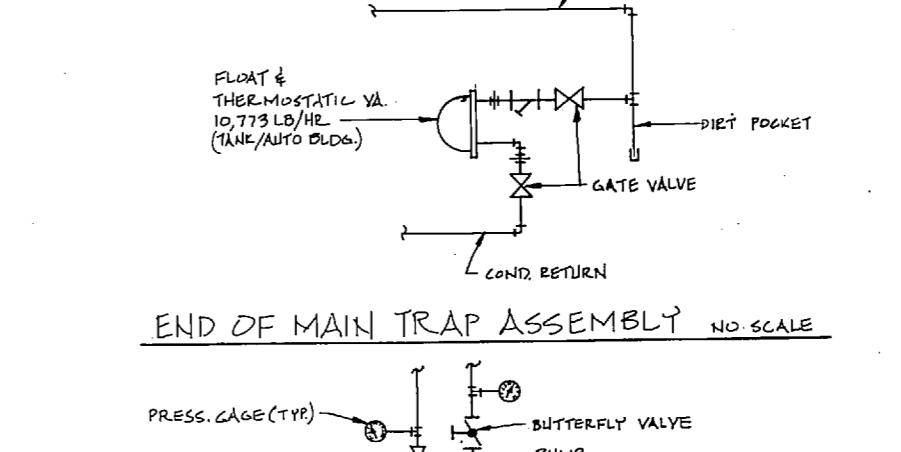
EXHAUST HOOD DETAIL NO SCALE



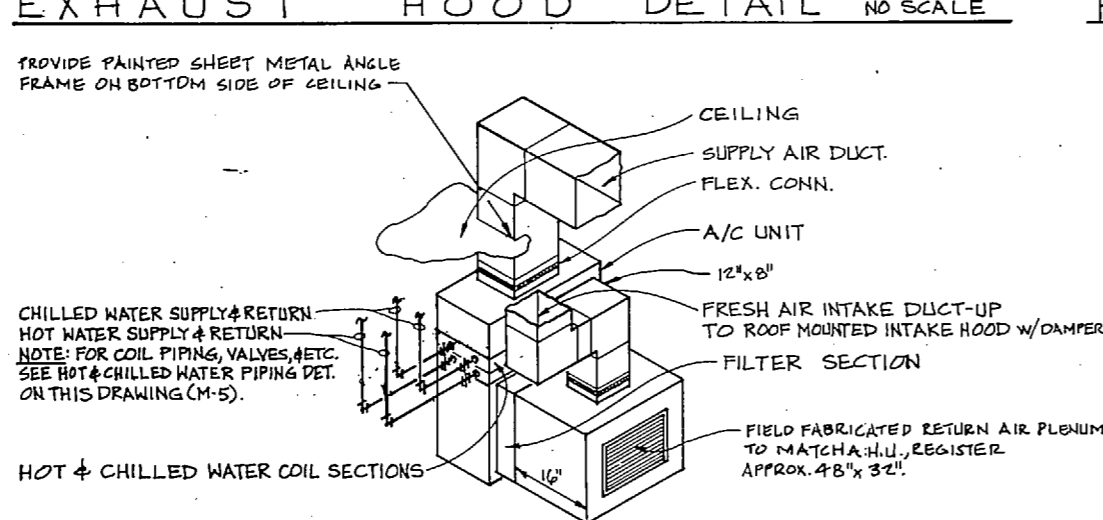
ROOF MOUNTED INTAKE & EXHAUST HOOD NO SCALE



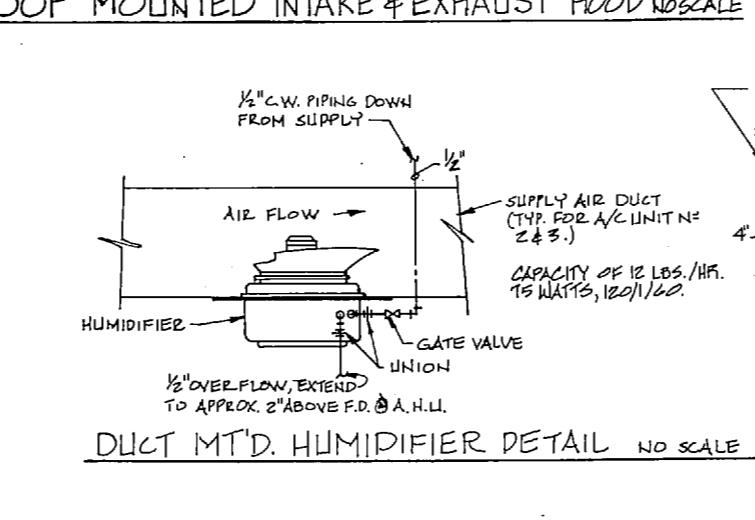
FIRE DAMPER DETAIL NO SCALE



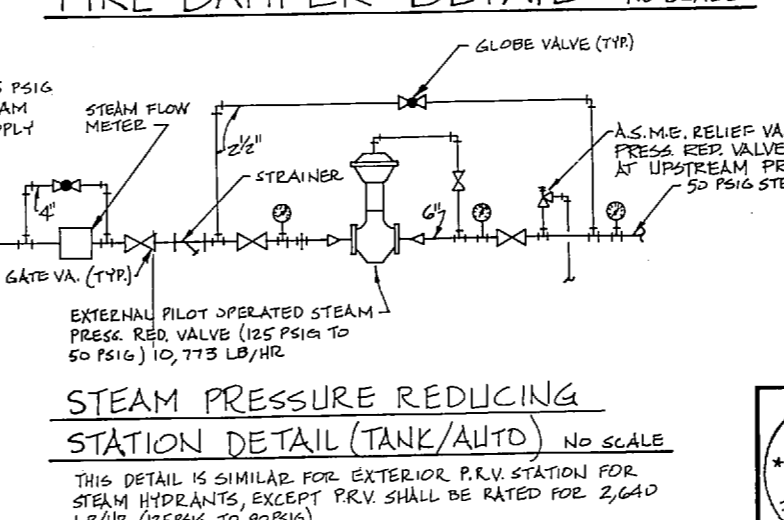
END OF MAIN TRAP ASSEMBLY NO SCALE



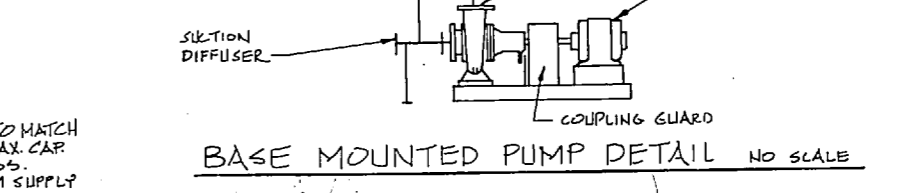
AIR HANDLING UNIT DETAIL NO SCALE



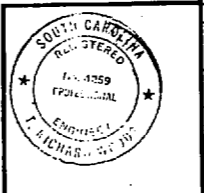
DUCT M'T.D. HUMIDIFIER DETAIL NO SCALE



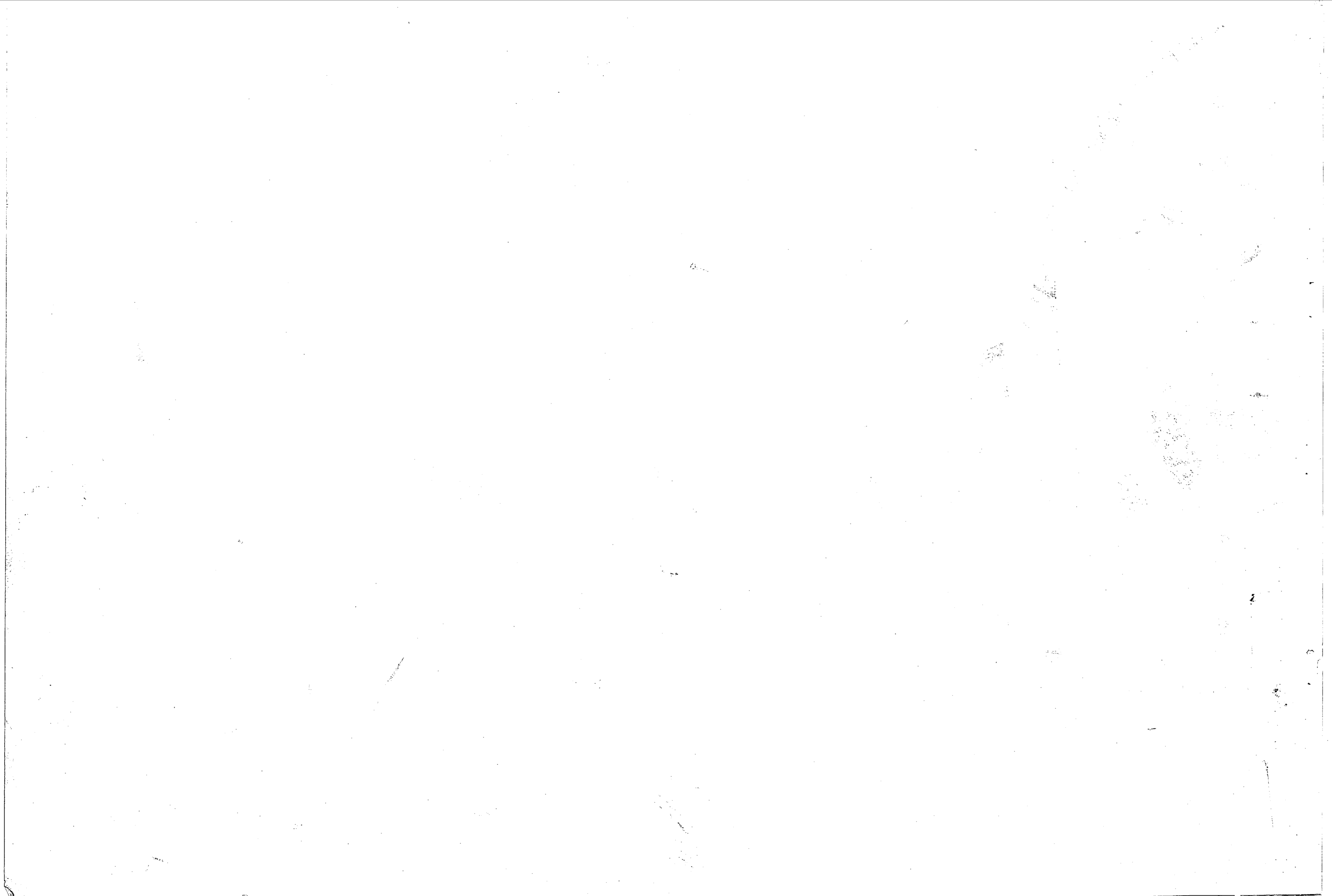
STEAM PRESSURE REDUCING STATION DETAIL (TANK/AUTO) NO SCALE

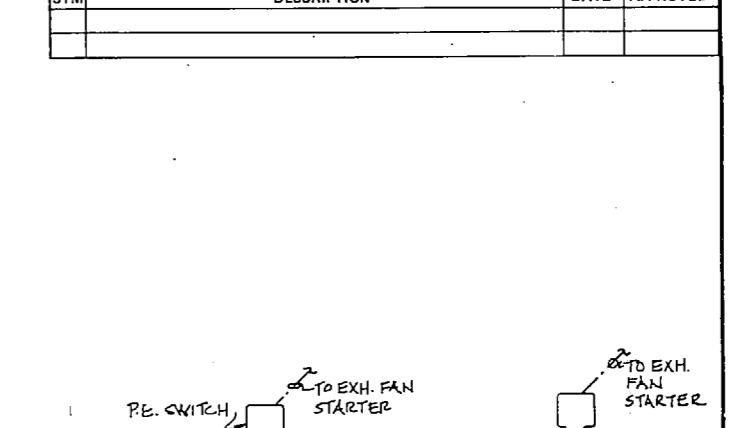
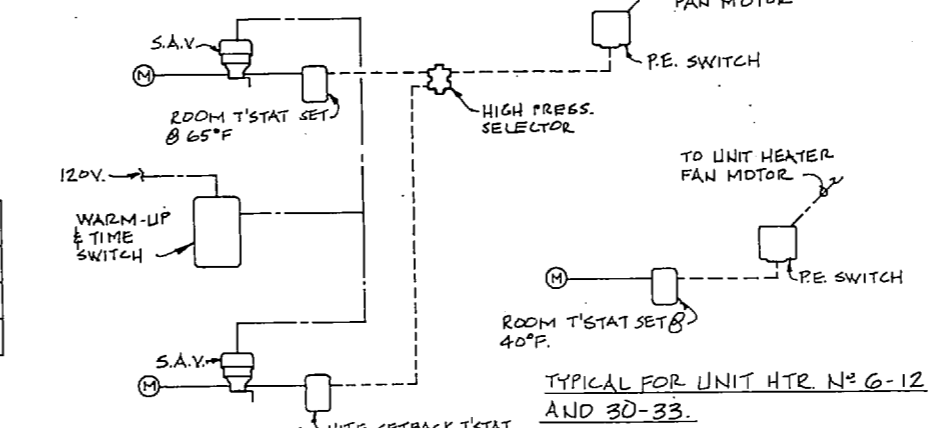
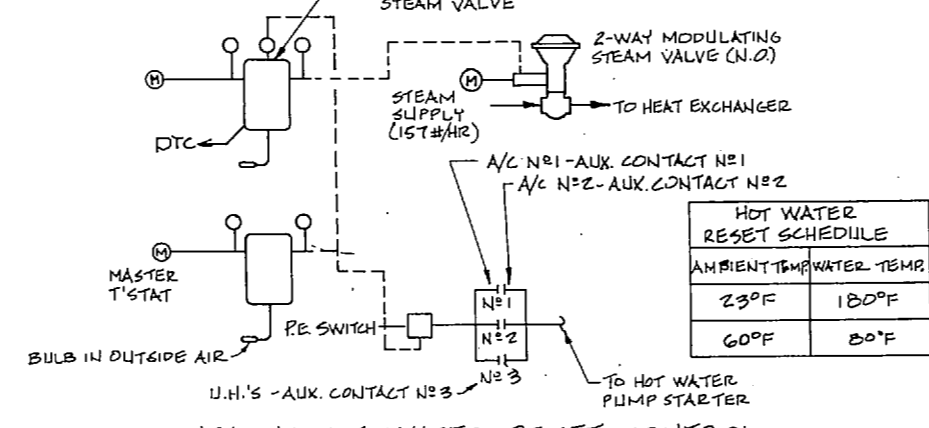
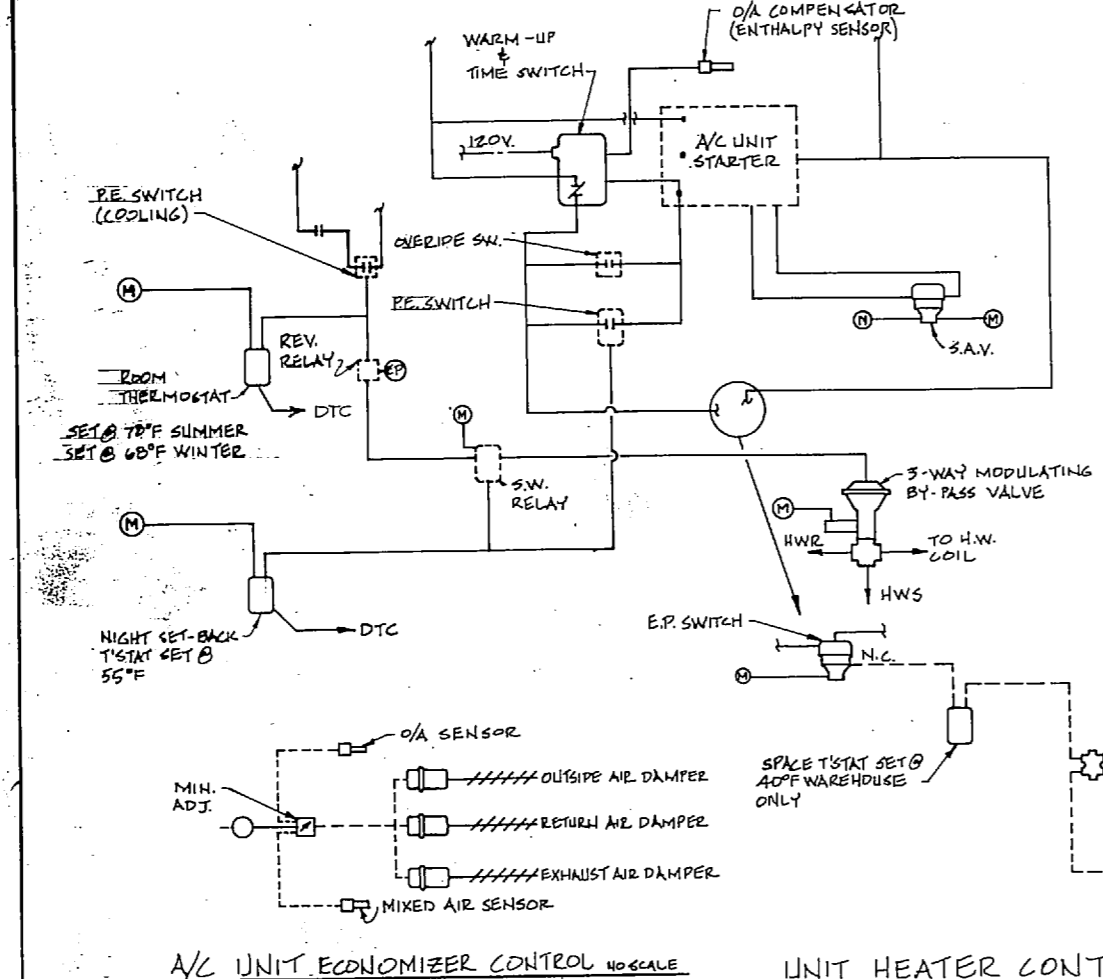


BASE MOUNTED PUMP DETAIL NO SCALE

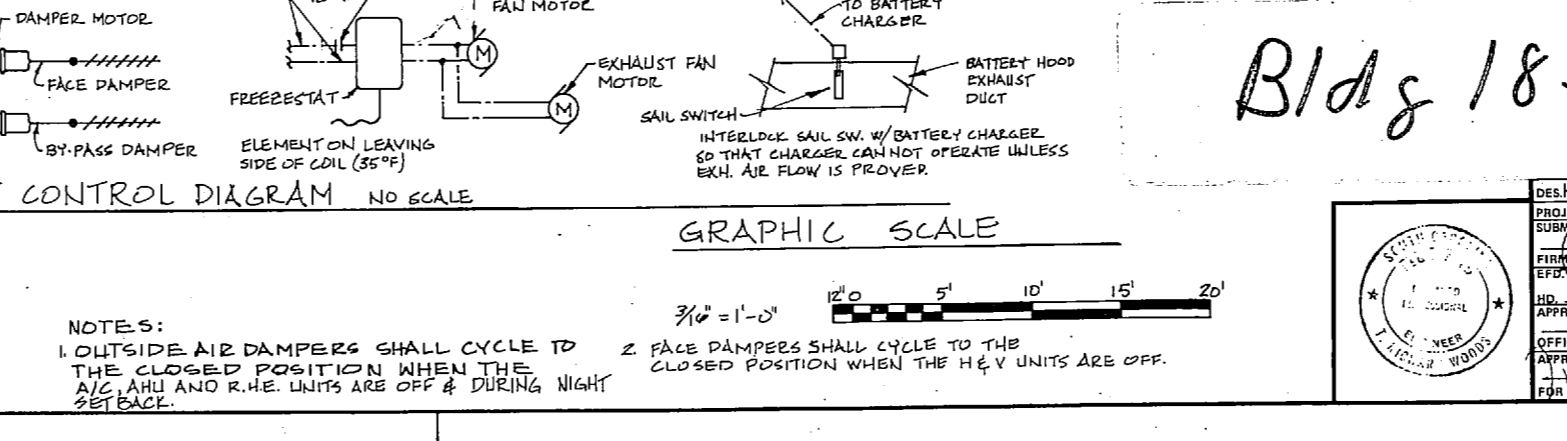
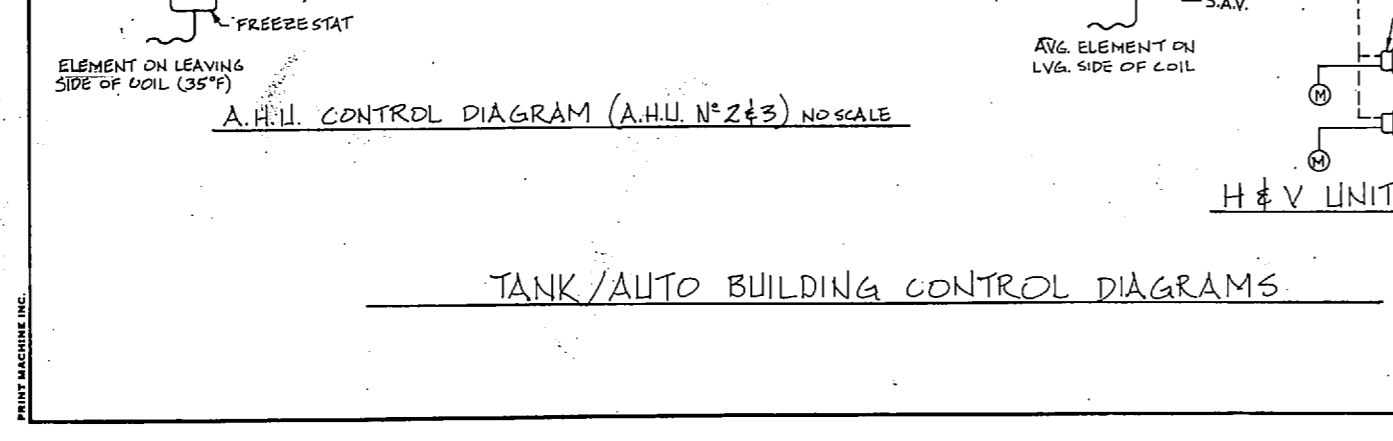
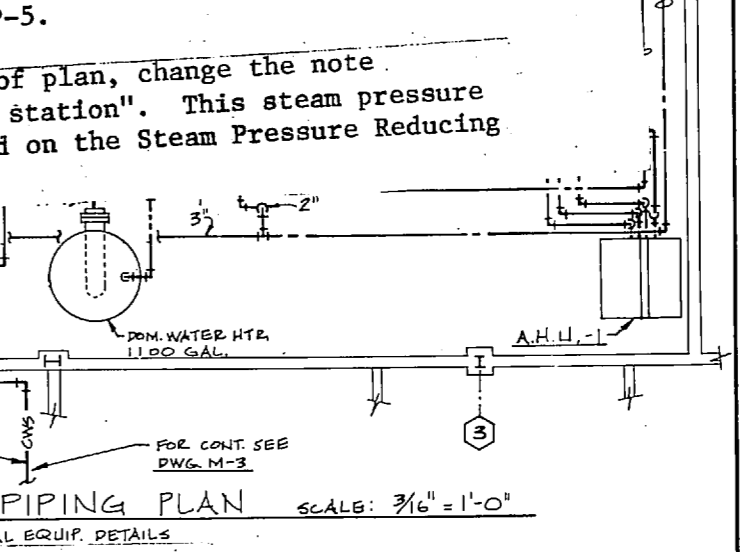
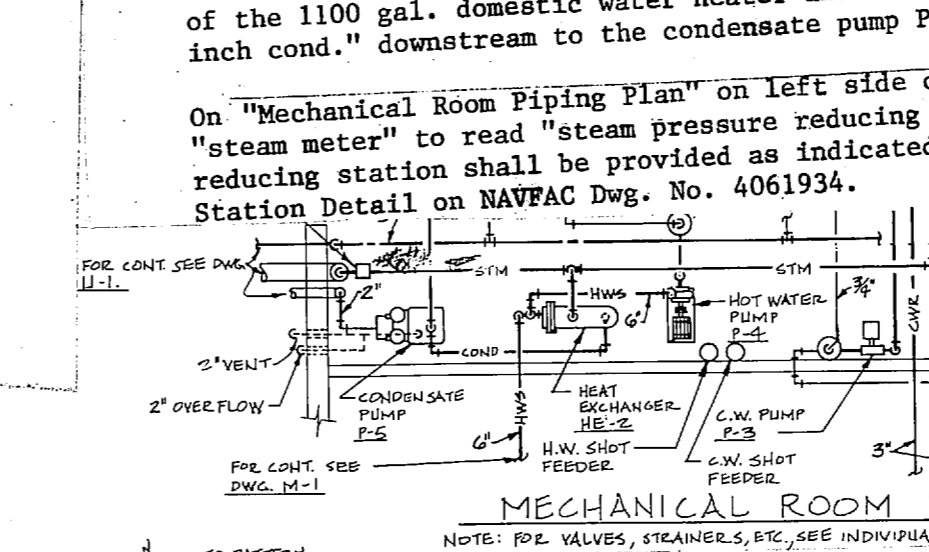
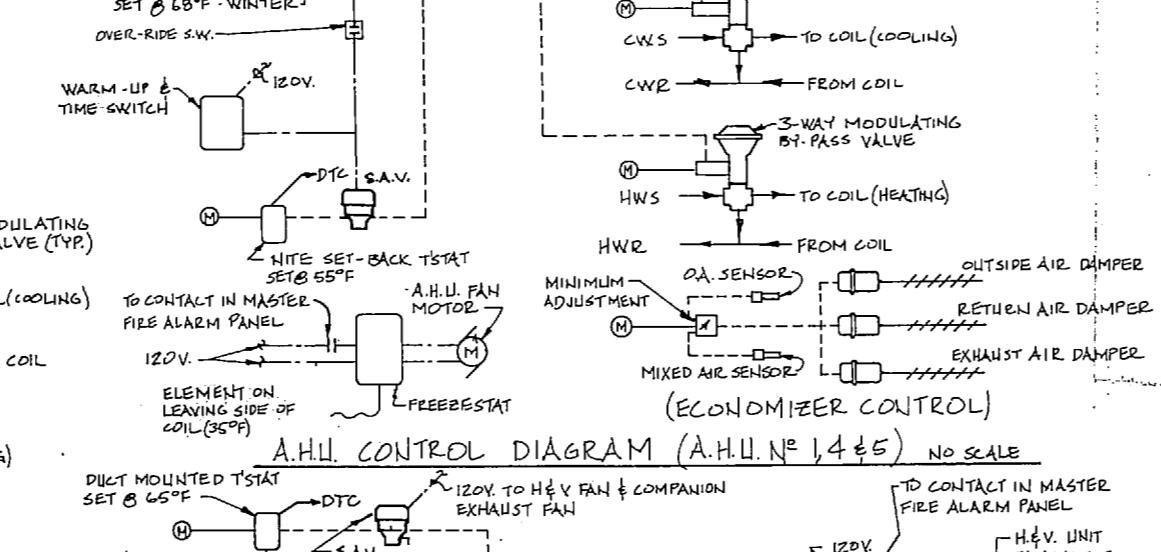
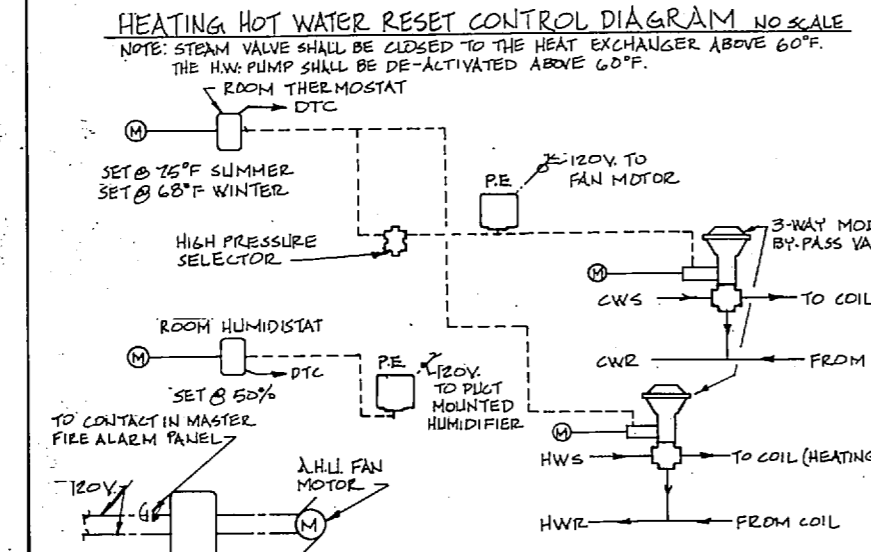
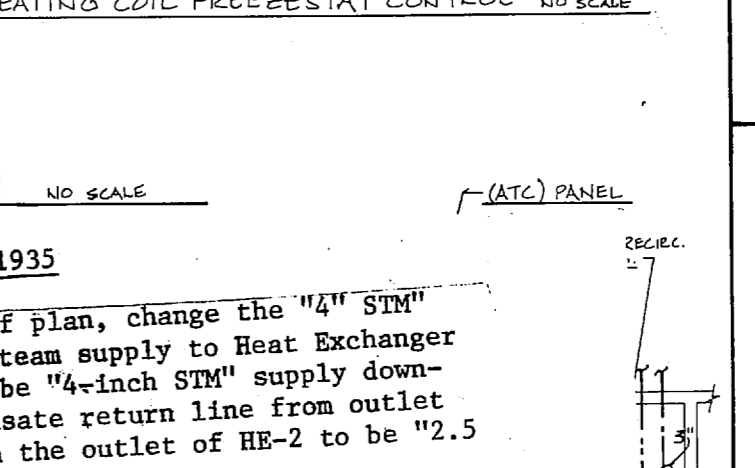
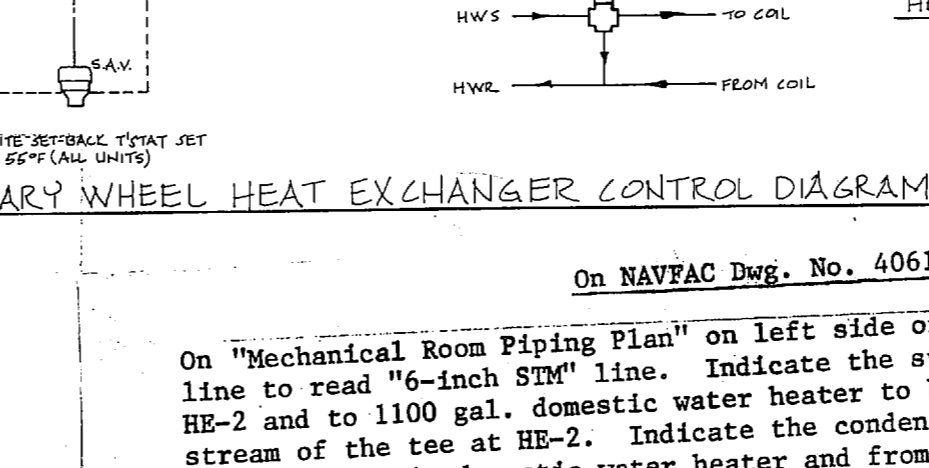
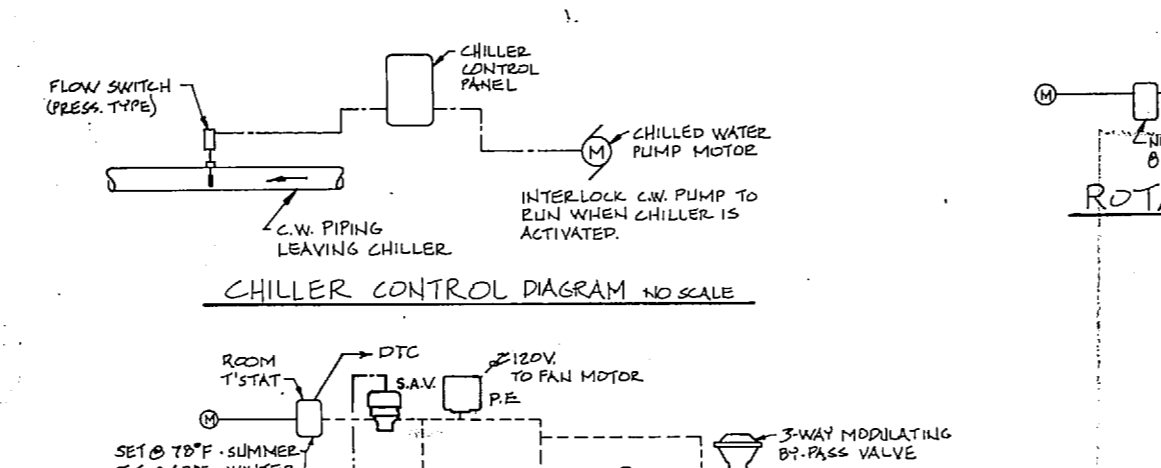
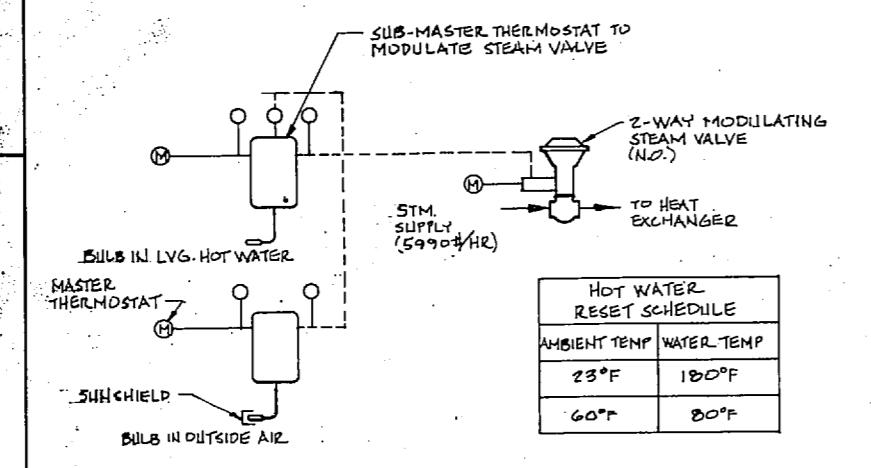


M-5	
MBTB ARC ENG. ATLANTIC DIVISION	
DEPARTMENT OF THE NAVY NAVAL FACILITIES ENGINEERING COMMAND	
CAMP LEJEUNE, N. C.	
TANK/AUTO MAINTENANCE FACILITY	
MECHANICAL DETAILS	
TANK/AUTO SHOP BLDG.	
DESIGNED BY: [Signature]	DATE: 12/22/51
CHECKED BY: [Signature]	DATE: 12/22/51
APPROVED BY: [Signature]	DATE: 12/22/51
OFFICER IN CHARGE: [Signature]	DATE: 12/22/51
SCALE: AS SHOWN SPEC. 05-79-9241	SHEET 60 OF 82





READY ISSUE BUILDING CONTROL DIAGRAMS



Bldg 1854

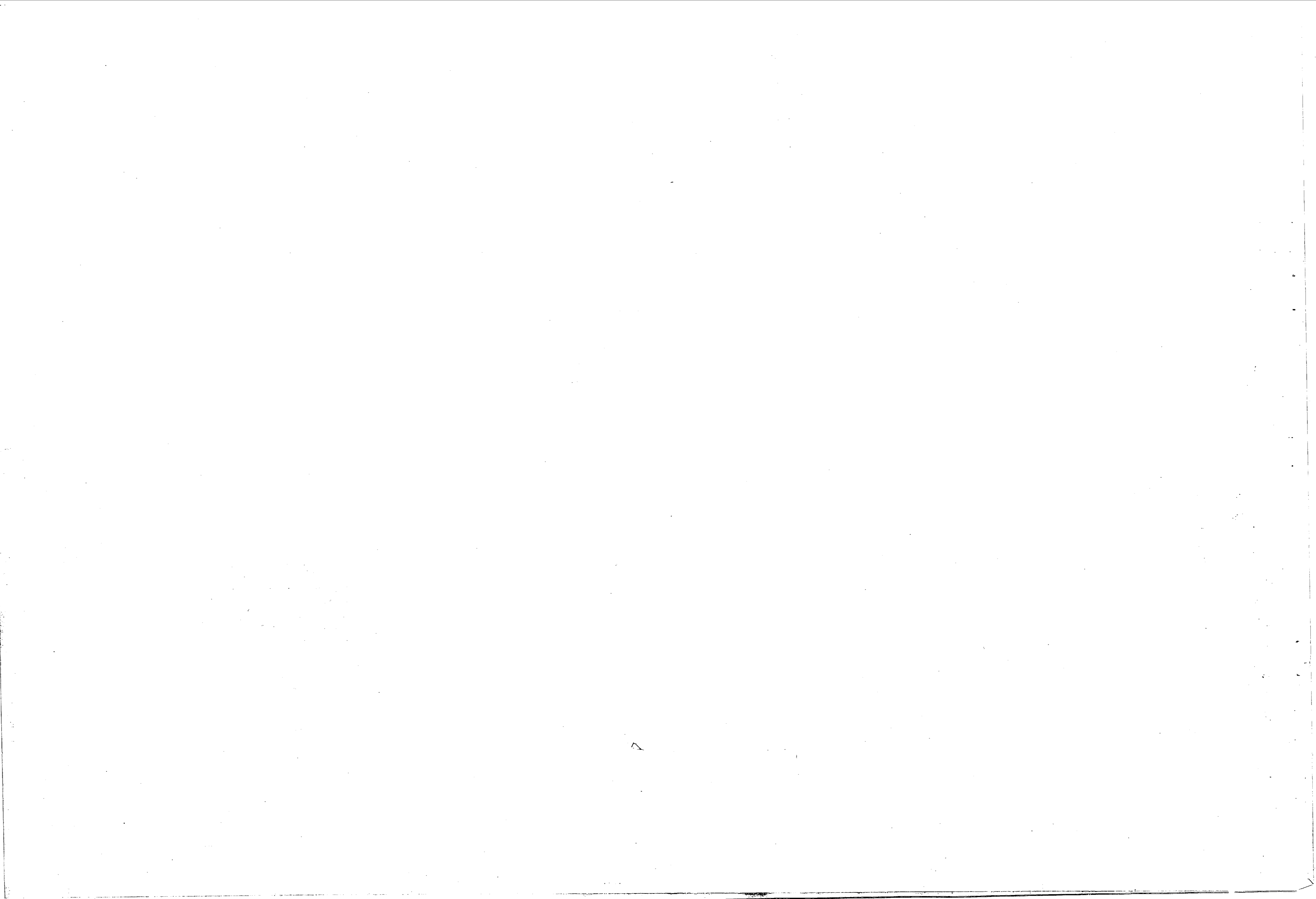
M-6

DEPARTMENT OF THE NAVY NAVAL FACILITIES ENGINEERING COMMAND
ATLANTIC DIVISION NORFOLK, VIRGINIA
NAVAL STATION CAMP LEJEUNE, N. C.

PROJ. NO. 80091
DESIGNED BY J. MATHIS (JMK) WOODS
DRAWN BY J. MATHIS (JMK) WOODS
CHECKED BY J. MATHIS (JMK) WOODS
DATE 22 MAY 81
PRINCIPAL
SUPERVISOR
DATE 22 MAY 81
DATE 22 MAY 81
DATE 22 MAY 81

OFFICER IN CHARGE
APPROVED: [Signature]
DATE: 22 MAY 81
FOR INFO FOR COMMANDER, NAVFAC

SIZE CODE IDENT. NO. NAVFAC DRAWING NO.
F 80091 4061935
CONSTR. CONTR. NO. N62470-79-B-9241
SCALE: AS SHOWN SPEC. 05-79-9241 SHEET 61 OF 82
EFD. DWG. NO. 161935



AIR DIFFUSER SCHEDULE table with columns: MARK, PANEL SIZE, NECK SIZE, TYPE OF THROW, CFM, TYPE, REMARKS. Rows include diffusers A through YY.

1. FOR WALL REGISTER AND GRILLE SIZE, SEE THE RESPECTIVE PLANS.

HEAT EXCHANGER SCHEDULE table with columns: MARK, STEAM SIDE, WATER SIDE, REMARKS. Rows include HE-1 and HE-2.

AIR HANDLING UNIT SCHEDULE table with columns: MARK, SUPPLY AIR CFM, COOLING CAPACITY, HEATING CAPACITY, ELECTRICAL, REMARKS. Rows include AHU-1 through AHU-5.

NOTE 1. HOT WATER ΔT = 20°F.

UNIT HEATER SCHEDULE table with columns: MARK, M.B.H., GPM, CFM, LVG. AIR TEMP, H.P., ENT. AIR TEMP, TYPE, BUILDING, MOUNTING HEIGHT, REMARKS. Rows include UH-1 through UH-34.

NOTE 1. HEATER SELECTION BASED ON 180°F ENT. WATER TEMP AND 20°F WATER ΔT.

HOT WATER COILS table with columns: MARK, M.B.H., FLOW (GPM), HEAD (FT.), WATER ENT. AIR TEMP, LVG. AIR TEMP, COIL SIZE, BUILDING, REMARKS. Row includes H.W.C.1.

EXHAUST FAN SCHEDULE table with columns: MARK, APPROX. CFM, STATIC PRESS., MAX. TIP SPEED, APPROX. H.P., ELEC. CHARACT., TYPE, REMARKS. Rows include E.F.-1 through E.F.-19.

NOTES: 1. PROVIDE NON-SKIPPING WHEEL. 2. PROVIDE NON-SKIPPING WHEEL AND CORROSION RESISTANT CONSTRUCTION. 3. PROVIDE WEATHER HOOD FOR MOTOR AND BELT DRIVE. 4. EXHAUST DUCT TO TRANSITION FROM SIZE INDICATED ON DWG TO THE SIZE OF EXH. FAN OPENING. 5. EXHAUST FAN, E.F.-1, LOCATED IN R/I BLDG; ALL OTHERS LOCATED IN T/A SHOP.

CHILLER SCHEDULE table with columns: MARK, CAPACITY TONS, WATER FLOW GPM, LVG. WATER TEMP, ENT. WATER TEMP, EVAP. SCALE FACTOR, EVAP. PRESS. PSIG, AMBIENT AIR TEMP °F, BUILDING, REMARKS. Row includes CHILL-1.

AIR CONDITIONING UNIT SCHEDULE table with columns: MARK, AIR HANDLING DATA, COOLING DATA, ELECTRICAL, BUILDING, REMARKS. Rows include A/C-1 and A/C-2.

FINNED TUBE RADIATION SCHEDULE table with columns: MARK, BTU/FT, TOTAL LENGTH, ELEMENT LENGTH, ENCLOSURE HEIGHT, ENCL. TYPE, GPM, BUILDING, NOTES, REMARKS. Rows include FT-1 through FT-7.

NOTES: 1. ENCLOSURE MOUNTING HEIGHT SHALL BE 22 INCHES ABOVE FLOOR TO BOTTOM OF ENCLOSURE. 2. PROVIDE END CAPS FOR ALL FINNED TUBE RADIATION COVERS. 3. PROVIDE ELEMENT LENGTH AND ENCLOSURES AS REQUIRED TO PROVIDE THE MINIMUM TOTAL BTU/UNIT. AND TO ENCLOSE THERMOSTATIC VALVES, SHUT-OFF VALVES, FLOW CONTROL VALVES & FITTINGS.

PUMP SCHEDULE table with columns: MARK, GPM, HEAD, H.P., RPM, SERVICE, TYPE, BUILDING, ELECTRICAL, REMARKS. Rows include P-1 through P-6.

* DUPLEX UNIT WITH EACH MOTOR AT LISTED H.P.; STEAM CONDENSATE TEMP. EQUALS 210°F.

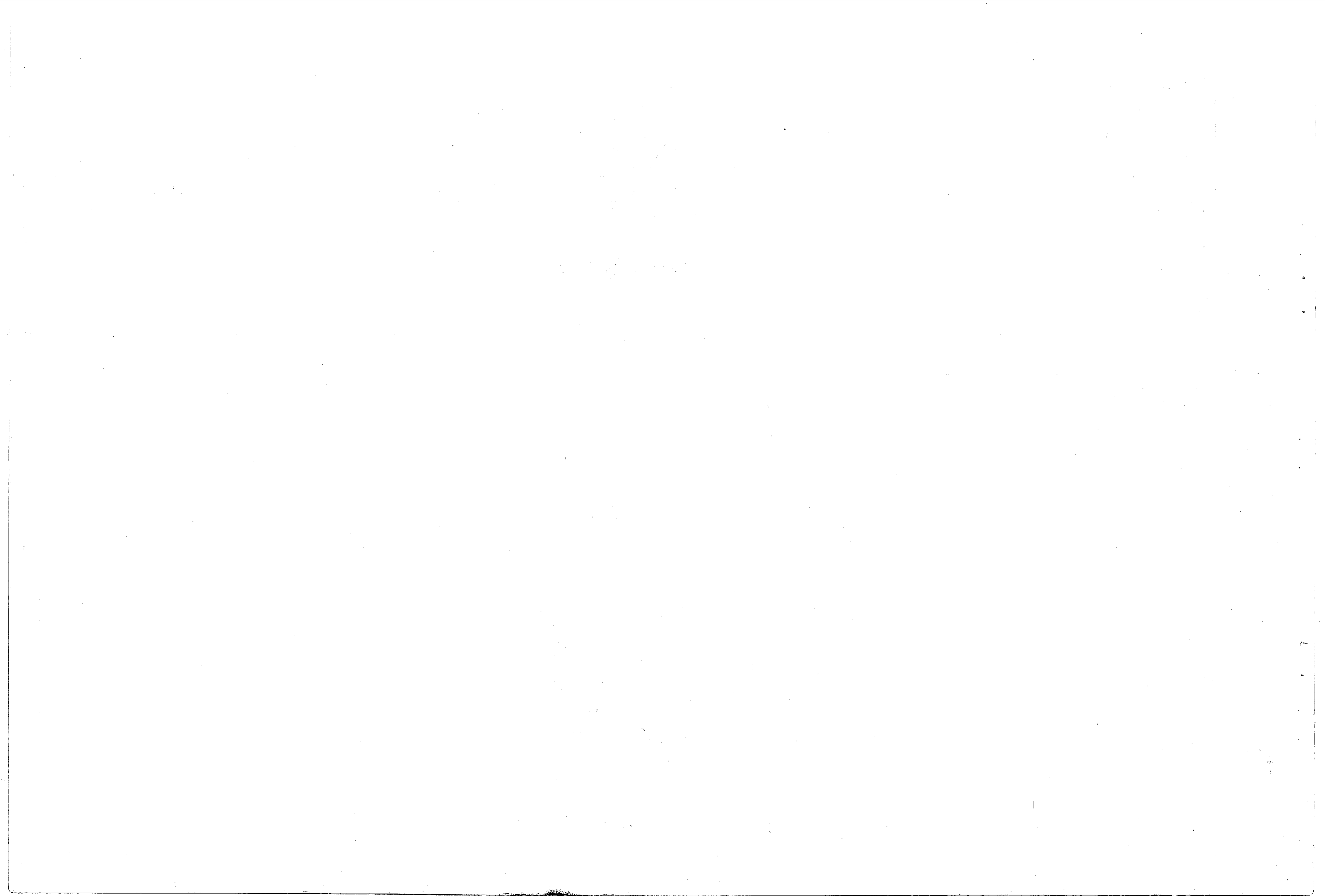
ROTARY HEAT EXCHANGER SCHEDULE table with columns: MARK, AIR QUANTITY, SUPPLY FAN, EXHAUST FAN, HEATING, COOLING, ELECTRICAL, REMARKS. Rows include RHE-1 through RHE-5.

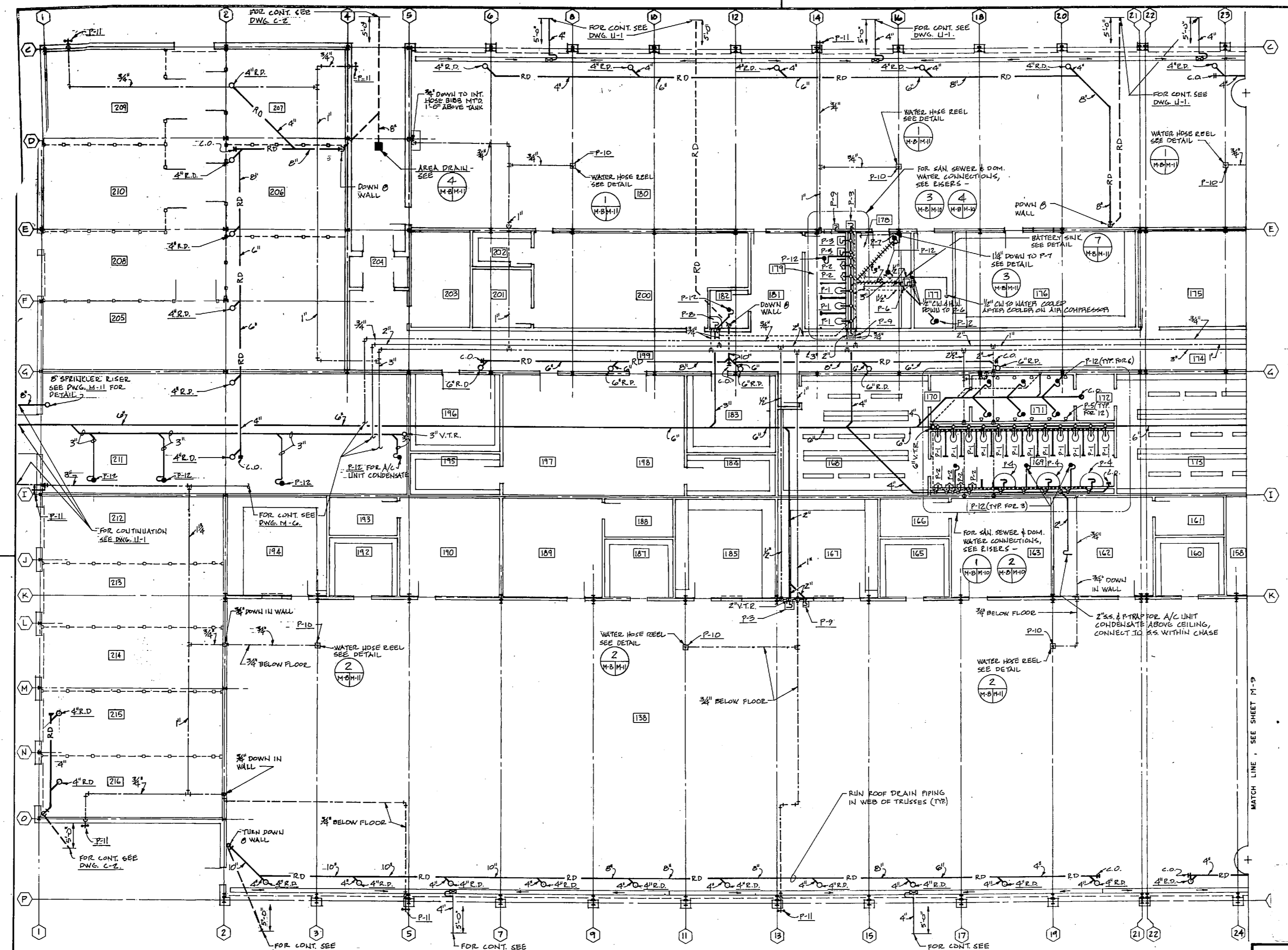
NOTES: 1. ENTERING HOT WATER TEMP = 180°F; 20°F ΔT. 2. ENTERING CHILLED WATER TEMP = 45°F; 10°F ΔT. 3. ALL ROTARY HEAT EXCHANGERS ARE LOCATED IN T/A SHOP.

Bldg 1854



MBTB ARCHITECTS & ENGINEERS logo and project information including: DEPARTMENT OF THE NAVY, NAVAL FACILITIES ENGINEERING COMMAND, ATLANTIC DIVISION, CAMP LEJEUNE, N. C., TANK/AUTO MAINTENANCE FACILITY, MECHANICAL SCHEDULES, TANK/AUTO SHOP BLDG., SHEET 62 OF 82, 161936.



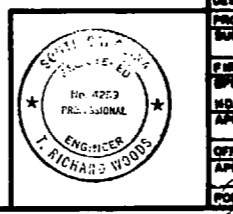
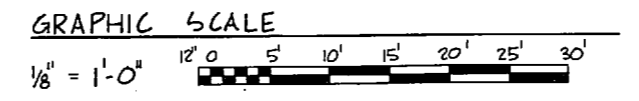


REVISIONS		
NO.	DESCRIPTION	DATE

PLUMBING LEGEND	
SYMBOL	DESCRIPTION
—	DOMESTIC COLD WATER PIPING
—	DOMESTIC HOT WATER PIPING
—	SANITARY SEWER PIPING
—	SANITARY VENT PIPING
— RD —	ROOF DRAIN PIPING
— A —	COMPRESSED AIR PIPING
⊠	AIR OUTLET (HOSE REEL)
⊠	WATER HOSE REEL
V.T.R.	VENT THRU ROOF
⊠	EXTERIOR HOSE BIBB
⊠	CLEANOUT (WALL TYPE)
⊠	CLEANOUT (FLOOR TYPE)
⊠	ROOF DRAIN
⊠	FLOOR DRAIN
⊠	PIPING TURNED UP
⊠	PIPING TURNED DOWN
	ACID RESISTANT SANITARY SEWER PIPING
INT.	INTERIOR
— RD —	ROOF DRAIN PIPING BELOW GRADE
S.S.	SANITARY SEWER

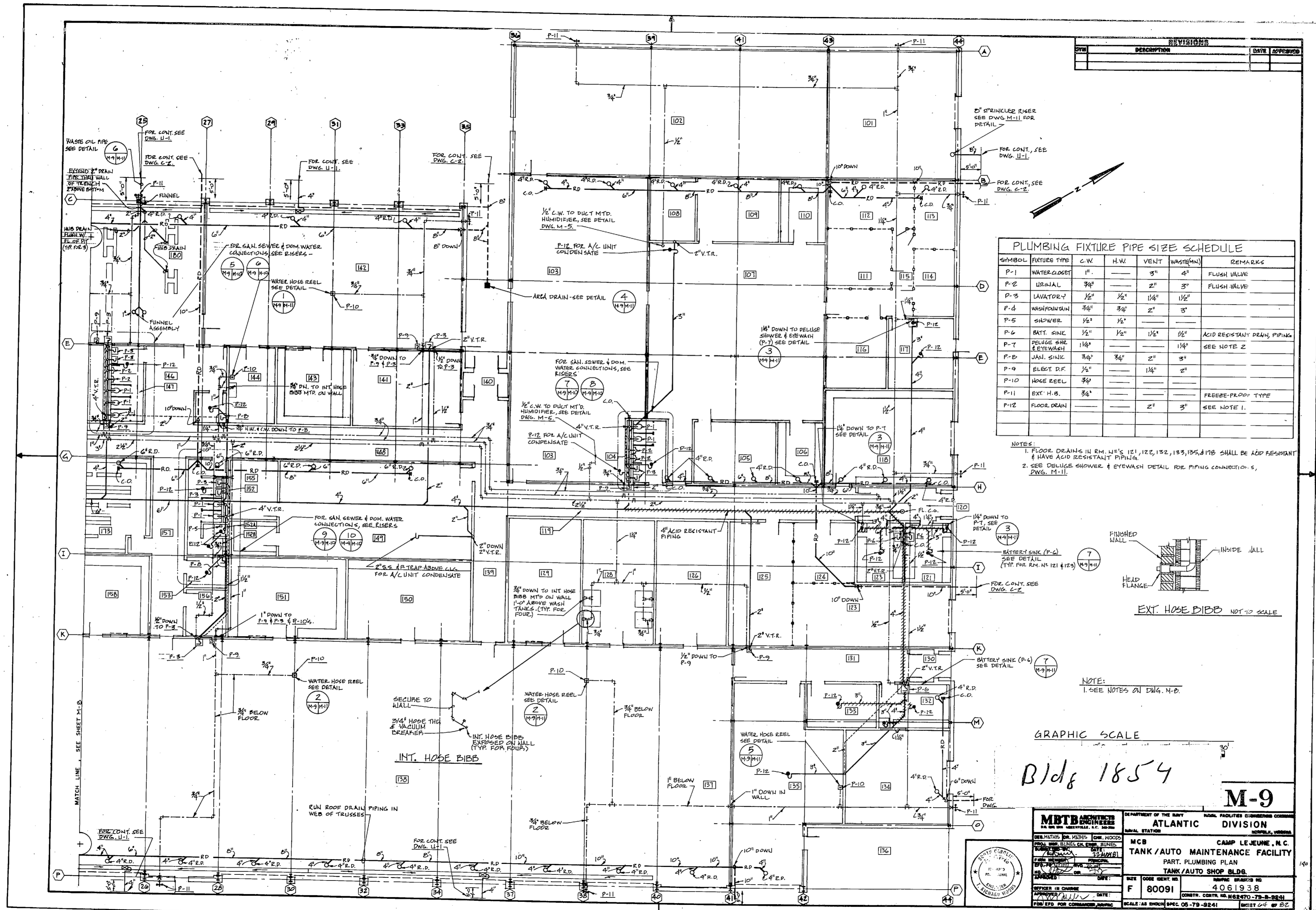
NOTES:
 1. CO-ORDINATE ALL PLUMBING PIPING ABOVE THE CEILING WITH HEATING, VENTILATION & AIR COND. PIPING & DUCTWORK.
 2. SEE PLUMBING RISER DIAGRAMS ON DWG. M-10.

Bldg 1854



M-8	
DEPARTMENT OF THE ARMY ATLANTIC DIVISION	
CAMP LEJUNE, N. C.	
TANK/AUTO MAINTENANCE FACILITY	
PART, PLUMBING PLAN	
TANK/AUTO SHOP BLDG.	
DESIGNED BY: M. B. T. B.	DATE: 27 JULY 51
CHECKED BY: M. B. T. B.	DATE: 27 JULY 51
APPROVED BY: M. B. T. B.	DATE: 27 JULY 51
OFFICER IN CHARGE: M. B. T. B.	DATE: 27 JULY 51
SCALE: AS SHOWN SPEC. 05-79-92-41	SHEET 25 OF 22
161937	

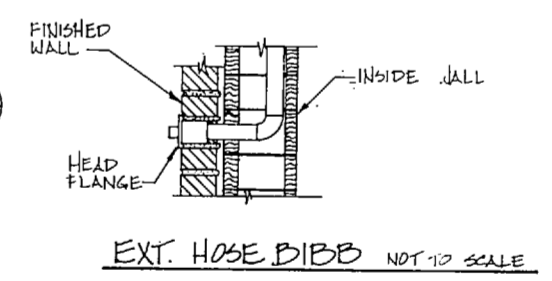




REVISIONS		
NO.	DESCRIPTION	DATE

SYMBOL	FIXTURE TYPE	C.W.	H.W.	VENT	WASTE (IN)	REMARKS
P-1	WATER CLOSET	1"	—	3"	4"	FLUSH VALVE
P-2	URINAL	3/4"	—	2"	3"	FLUSH VALVE
P-3	LAVATORY	1/2"	1/2"	1 1/4"	1 1/2"	—
P-4	WASHFOUNTAIN	3/4"	3/4"	2"	3"	—
P-5	SHOWER	1/2"	1/2"	—	—	—
P-6	BATT. SINK	1/2"	1/2"	1 1/2"	1 1/2"	ACID RESISTANT DRAIN, PIPING
P-7	DELUGE SH. & EYEWASH	1 1/4"	—	—	1 1/4"	SEE NOTE 2
P-8	JAN. SINK	3/4"	3/4"	2"	3"	—
P-9	ELECT. D.F.	1/2"	—	1 1/4"	2"	—
P-10	HOSE REEL	3/4"	—	—	—	—
P-11	EXT. H.B.	3/4"	—	—	—	FREEZE-PROOF TYPE
P-12	FLOOR DRAIN	—	—	2"	3"	SEE NOTE 1.

NOTES:
 1. FLOOR DRAINS IN RM. NO'S 121, 122, 132, 133, 135, & 138 SHALL BE ACID RESISTANT & HAVE ACID RESISTANT PIPING.
 2. SEE DELUGE SHOWER & EYEWASH DETAIL FOR PIPING CONNECTIONS, DWG. M-11.



NOTE:
 1. SEE NOTES ON DWG. M-8.

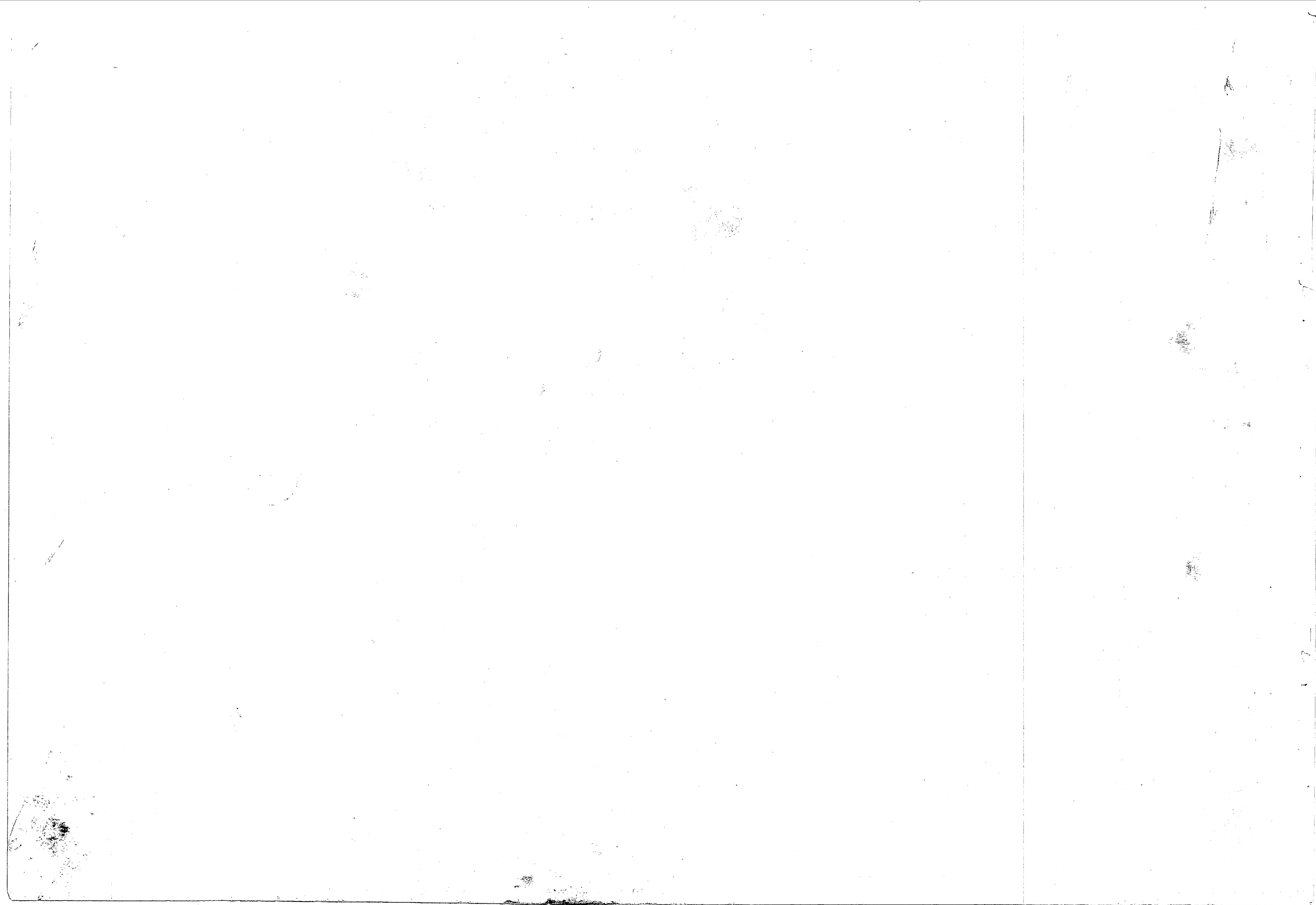
GRAPHIC SCALE

Bldg 1854

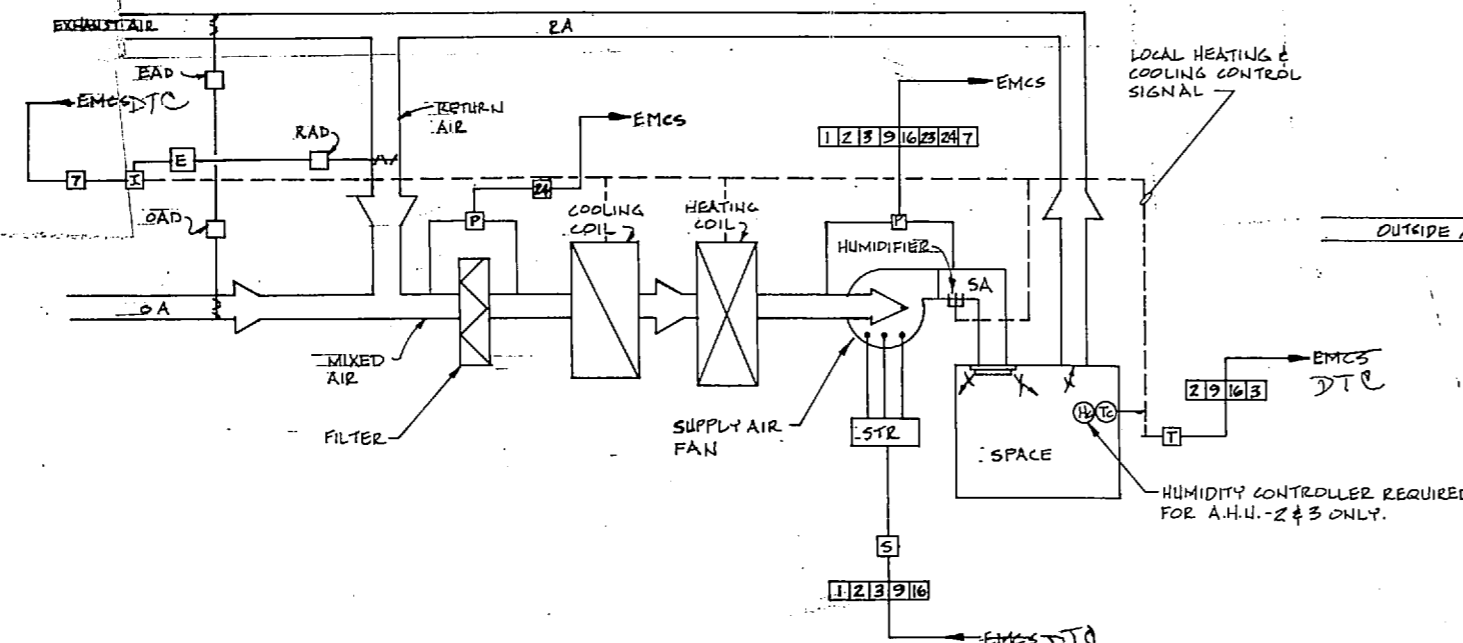
M-9

MBTB ENGINEERS 100 W. WASHINGTON ST. SUITE 200 CHARLOTTE, N.C. 28202		DEPARTMENT OF THE ARMY ATLANTIC DIVISION NAVAL FACILITIES ENGINEERING CENTER CAMP LEJEUNE, N.C. 28542	
DESIGNED BY: MATHS DRAWN BY: BIRNEY, GILBERT, BRUNES CHECKED BY: [Signature] DATE: 11/11/54		MCB TANK/AUTO MAINTENANCE FACILITY PART. PLUMBING PLAN TANK/AUTO SHOP BLDG.	
OFFICER IN CHARGE APPROVED: [Signature]	DATE: 11/11/54	SIZE: 80091 CODE: 80091	DRAWING NO.: 4061938 CONTR. CONTR. NO.: N68470-78-B-0001
SCALE: AS SHOWN SPEC. 05-79-2241		SHEET 44 OF 52 16 1938	

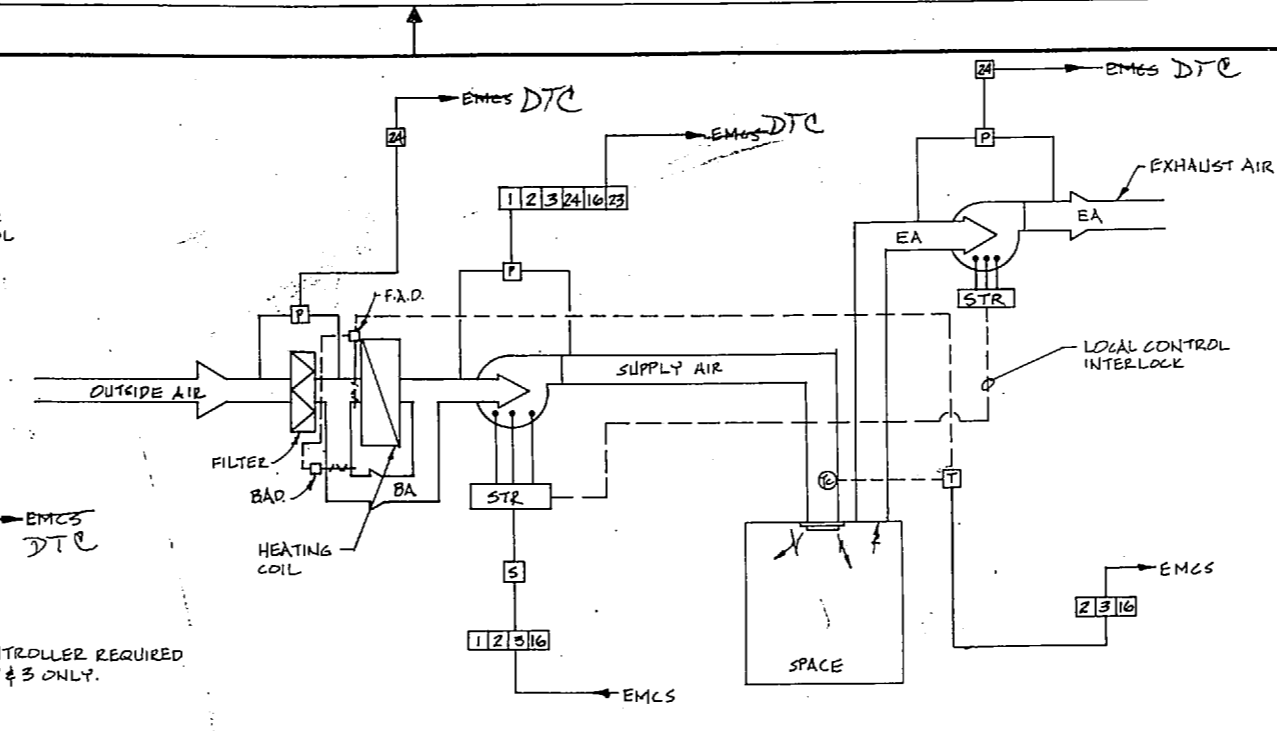




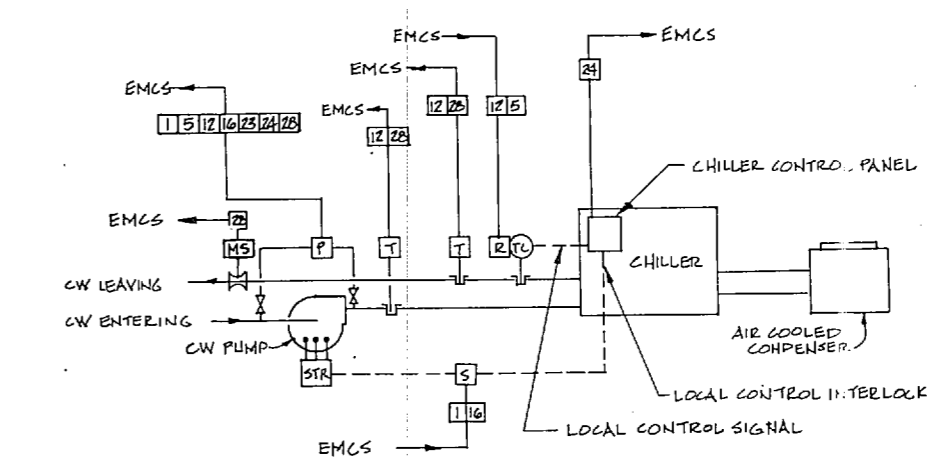
In the upper left corner, on the AHV Mechanical Diagram, add the following:
 "Temperature sensor in return air stream and outside air temperature sensor with sunshield; these two temperature sensors shall be connected to the enthalpy type economizer controller."



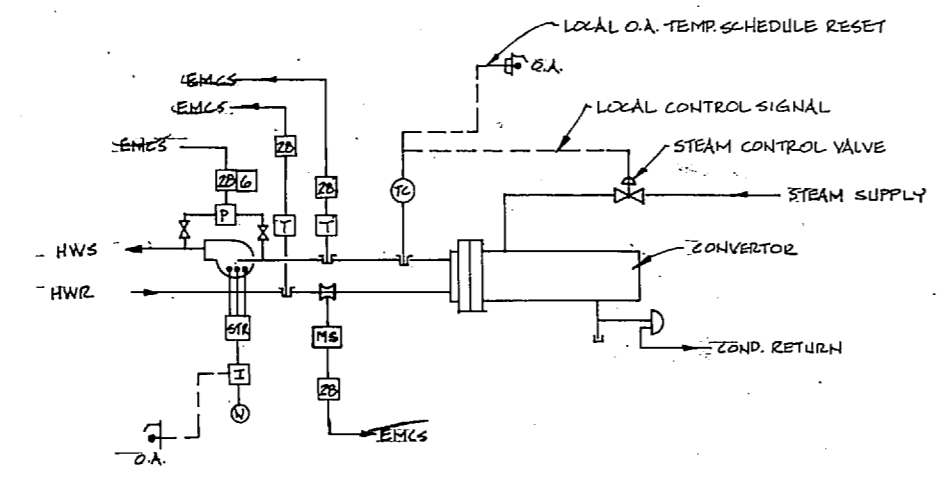
A.H.U. MECHANICAL DIAGRAM NO SCALE



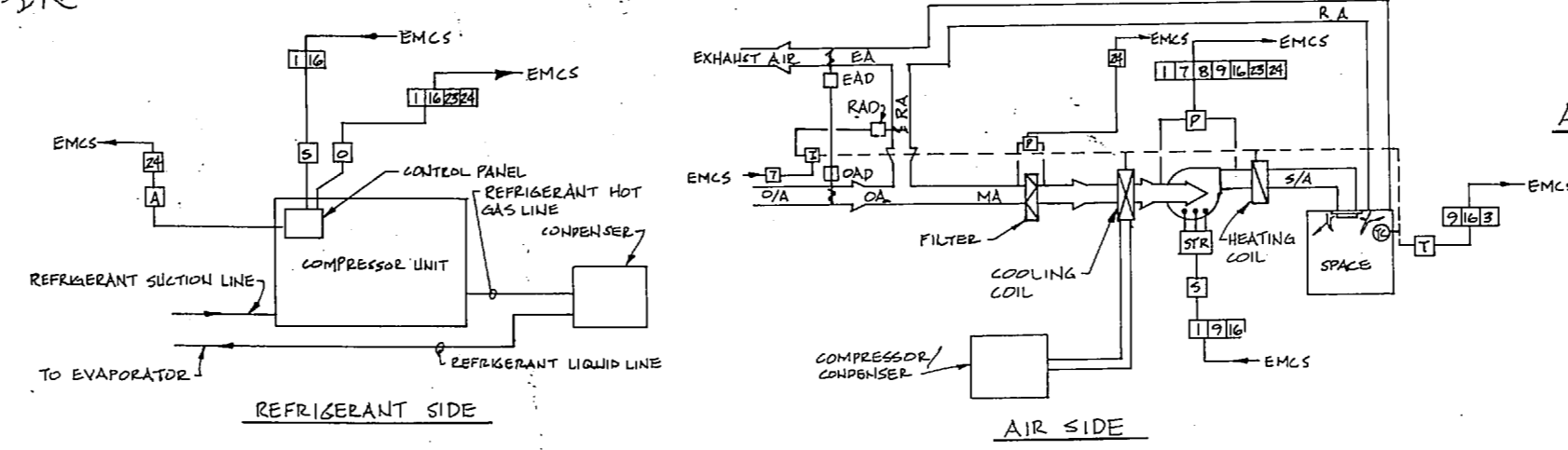
HEATING & VENTILATING UNIT MECHANICAL DIAGRAM NO SCALE



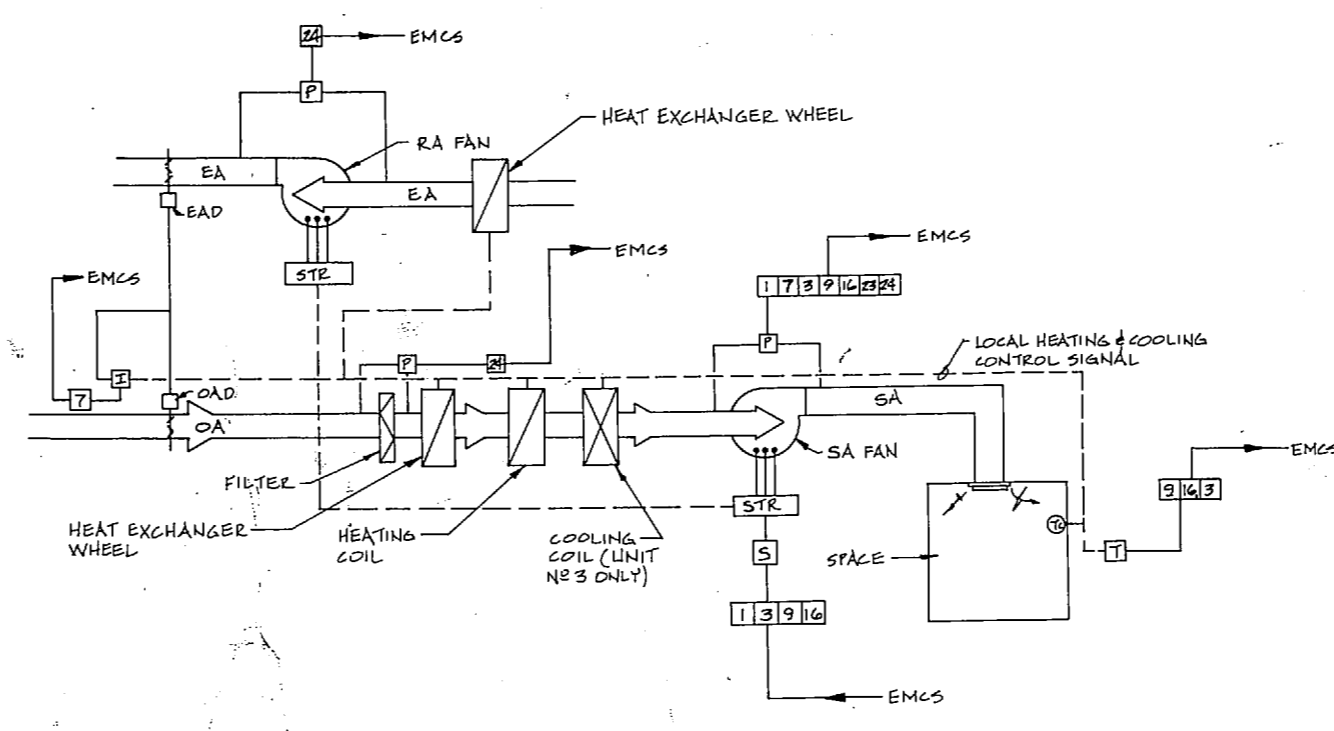
AIR COOLED CHILLER MECHANICAL DIAGRAM NO SCALE



HEAT EXCHANGER MECHANICAL DIAGRAM NO SCALE
 (NOT REQUIRED FOR HE-2)



A/C UNIT MECHANICAL DIAGRAM NO SCALE
 (READY ISSUE STORAGE BUILDING ONLY)



ROTARY HEAT EXCHANGER MECHANICAL DIAGRAM NO SCALE

EMCS LEGEND	
SYMBOL	DESCRIPTION
EMCS	SIGNAL TRANSMITTED TO EMCS DTC
EMCS	SIGNAL RECEIVED FROM EMCS DTC
A	ALARM CONTACT SIGNAL
P	LOCAL CONTROL INTERRUPTION INTERFACE
Q	ON/OFF STATUS SIGNAL
R	DIFFERENTIAL PRESS. SW. STATUS SIGNAL
S	START/STOP INTERFACE
T	TEMPERATURE INDICATION
V	FUNCTION N° WHICH REQUIRES SIGNAL
W	TEMPERATURE CONTROLLER
STR	MOTOR STARTER
CW	CHILLED WATER
EA	EXHAUST AIR
EAD	EXHAUST AIR DAMPER
HW	HOT WATER
MA	MIXED AIR
OA	OUTSIDE AIR
OAD	OUTSIDE AIR DAMPER
RA	RETURN AIR
RAD	RETURN AIR DAMPER
SA	SUPPLY AIR
H	HUMIDITY CONTROLLER
---	LOCAL CONTROL SIGNAL
M/S	METER SIGNAL
F.A.D.	FACE AIR DAMPER
B.A.D.	BY-PASS AIR DAMPER
R	CONTROLLER RESET INTERFACE
FM	FLOW METER
BA	BY-PASS AIR
E	ENTHALPY TYPE ECONOMIZER <small>(CONTROL (A.H.U.), A.H.U., & A.H.-5 ONLY)</small>

	MONITORING				EQUIPMENT OPTIMIZATION DURING OPERATION										EQUIPMENT ON/OFF									
	26	27	28	29	19	18	17	16	15	14	13	12	11	10	9	8	7	6	5	4	3	2	1	
A.H.U.																								
HEATING & VENTILATING UNIT																								
AIR COOLED CHILLER																								
HEAT EXCHANGER (HE-1 ONLY)																								
A/C UNIT AIR SIDE																								
A/C UNIT REF. SIDE																								
HEAT WHEEL																								

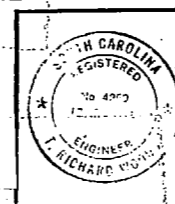
▲ NOT APPLICABLE FOR A.H.U. 2 & 3.
 ● NOT APPLICABLE FOR "HE-2" IN THE TANK/AUTO SHOP BLDG.
 ■ NOT APPLICABLE FOR A/C-2.
 ● APPLICABLE FUNCTION FOR ALL SYSTEMS

NOTE: ALL BLANK SPACES ARE NON-ACTIVE FUNCTIONS.

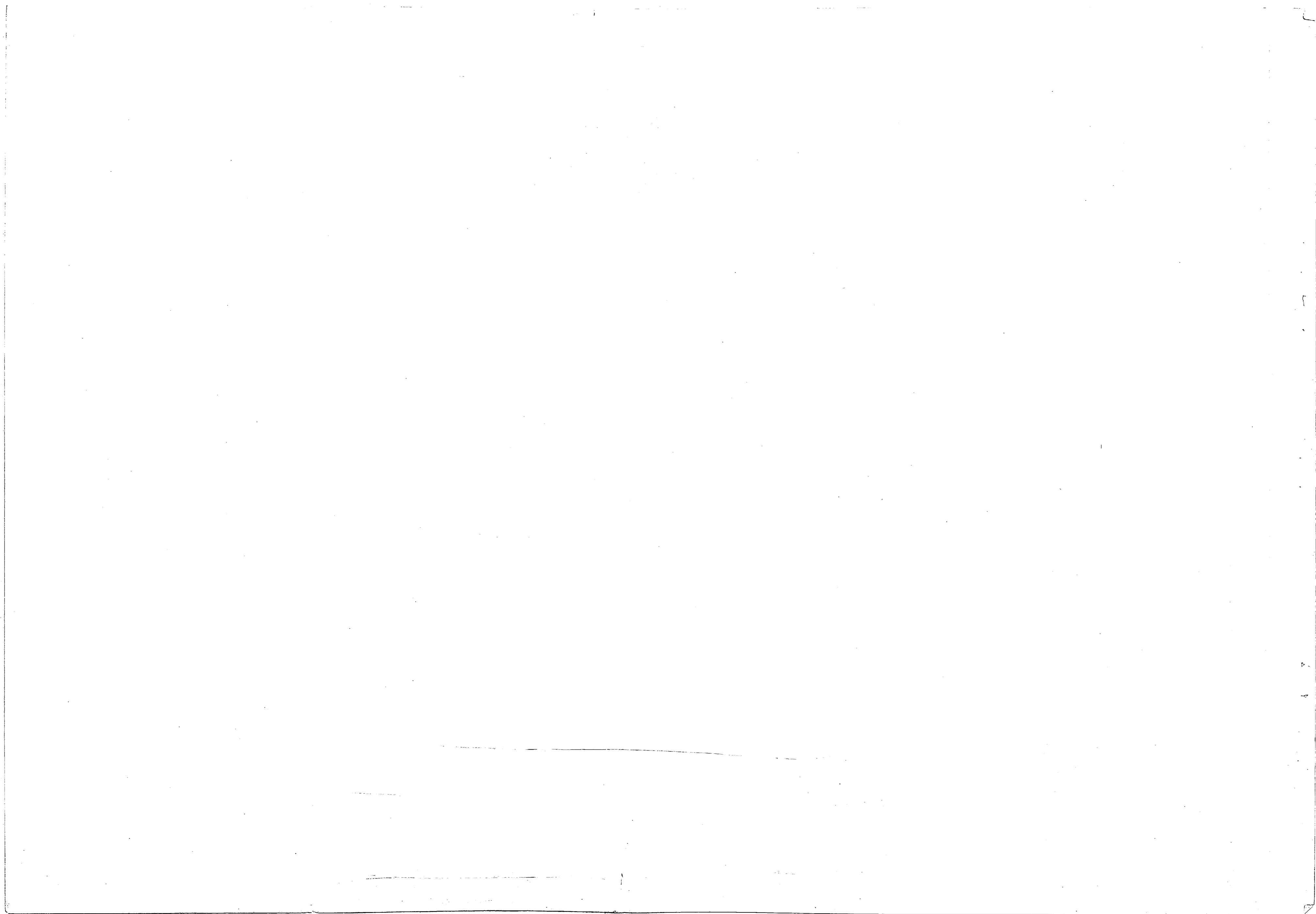
In the EMCS Legend change symbol "→ EMCS" to read "→ DTC" and change that symbol's description to read "signal transmitted to DTC". Change symbol "← EMCS" to read "← DTC" and change that symbol's description to read "signal transmitted from DTC". In the diagrams change symbol "→ EMCS" to read "→ DTC" and symbol "← EMCS" to read "← DTC".

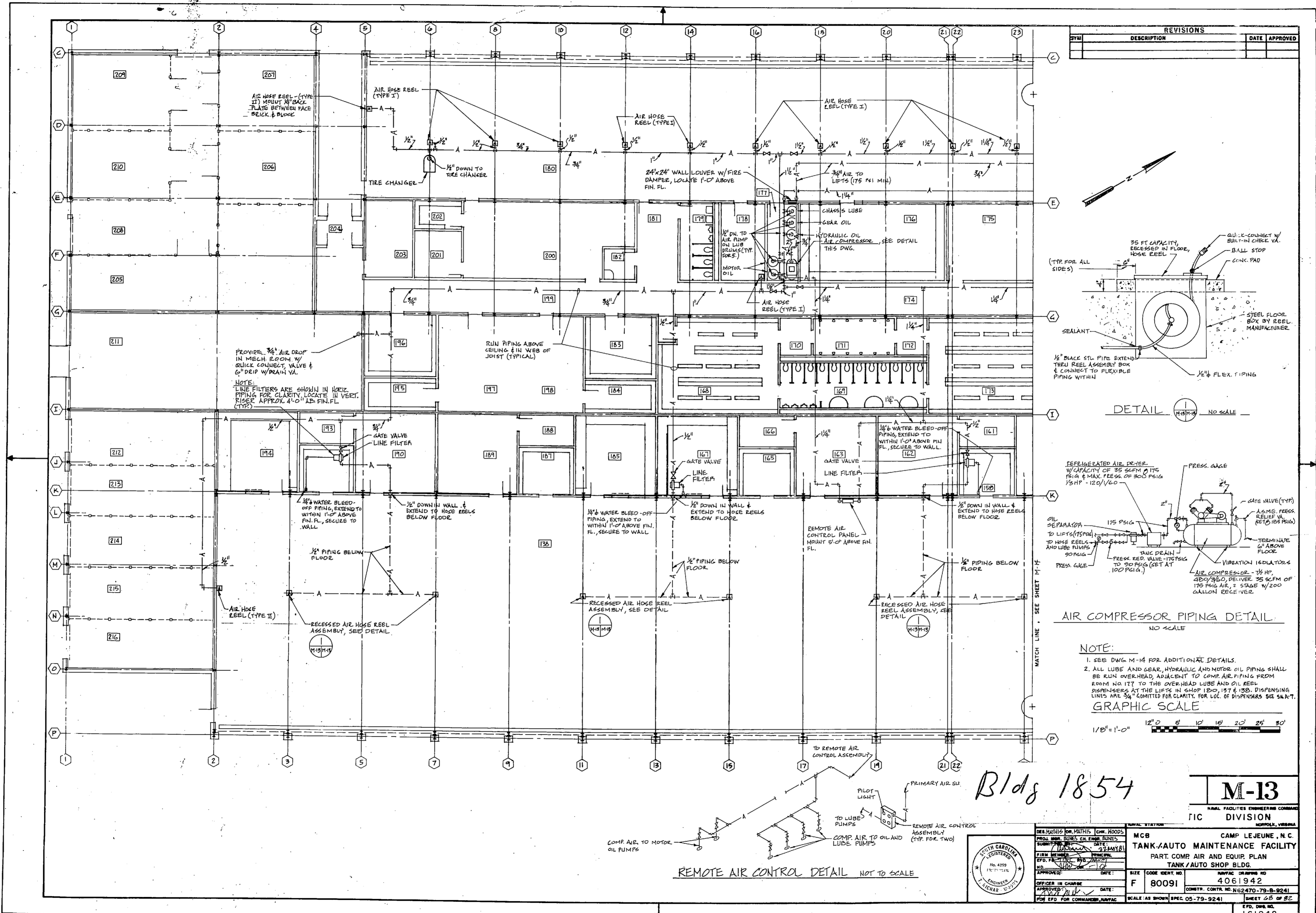
Bldg 1854

On NAVFAC Dwg. No. 4061941

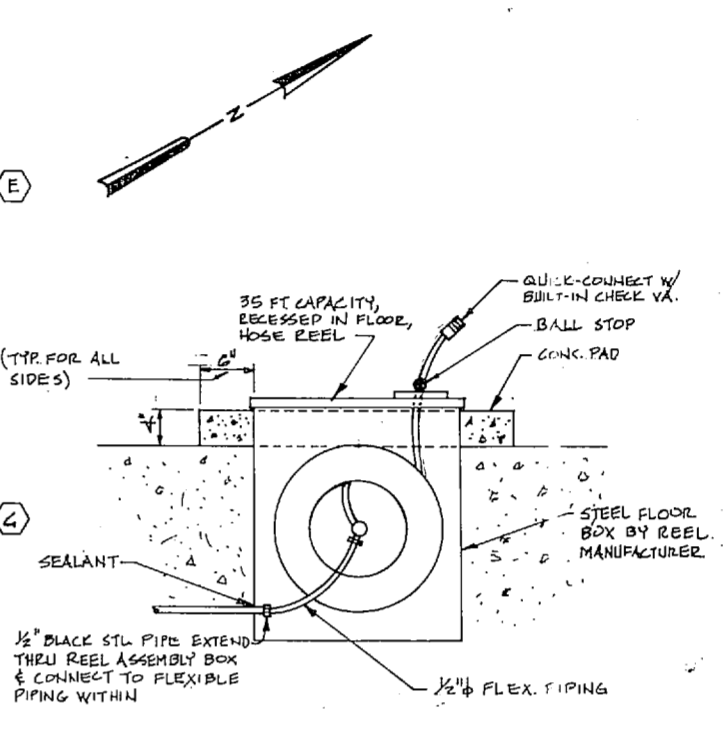


DESIGNED BY: DR. MATHIS	CHK. WOODS	MBC	CAMP LEJEUNE, N. C.
DATE: 11/11/81	DATE: 11/11/81	TANK/AUTO MAINTENANCE FACILITY	
SUPERVISOR: J. J. HAYES		EMCS MECHANICAL DIAGRAMS	
APPROVED: J. J. HAYES	DATE: 11/11/81	SIZE: F	CODE IDENT. NO.: 80091
OFFICER IN CHARGE: J. J. HAYES	DATE: 11/11/81	NAVFAC DRAWING NO.: 4061941	
CONTR. CONTR. NO.: N62470-79-B-9241	SCALE: AS SHOWN	SPEC: 05-79-9241	SHEET 67 OF 82
ED. DWG. NO.: 161941			

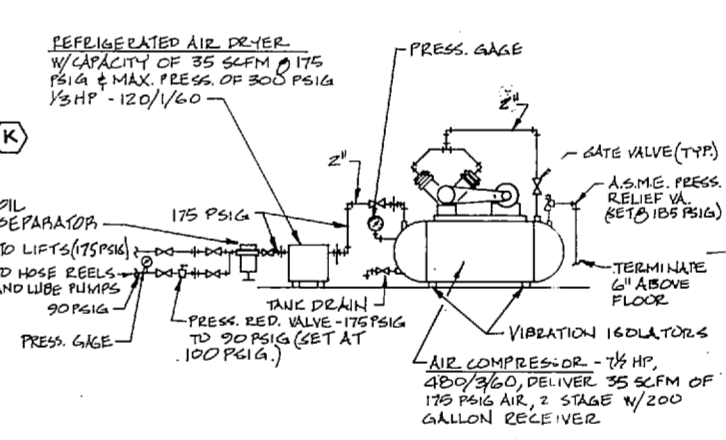




REVISIONS		
SYM	DESCRIPTION	DATE APPROVED

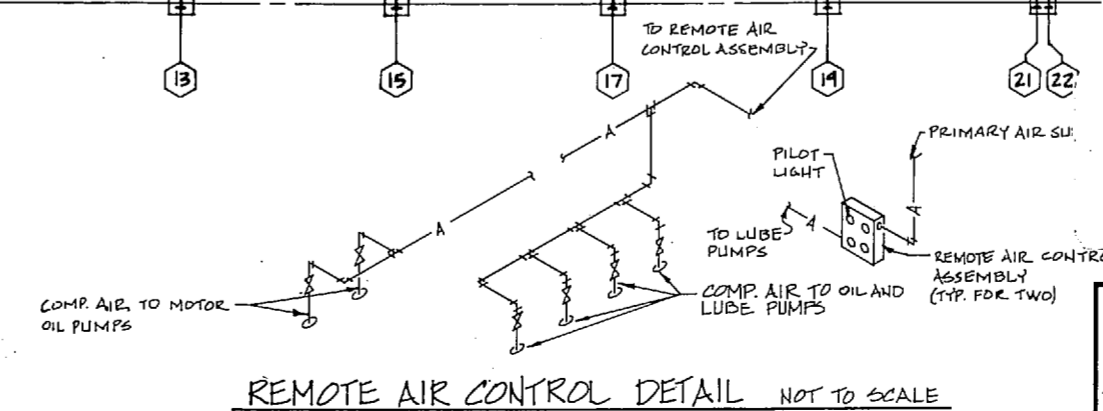
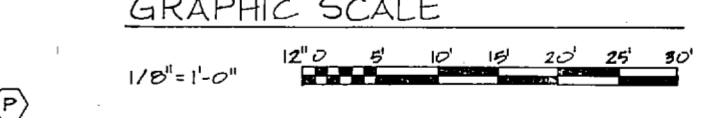


DETAIL 1 HOSE REEL ASSEMBLY NO SCALE



AIR COMPRESSOR PIPING DETAIL NO SCALE

NOTE:
 1. SEE DWG M-14 FOR ADDITIONAL DETAILS.
 2. ALL LUBE AND GEAR, HYDRAULIC AND MOTOR OIL PIPING SHALL BE RUN OVER-HEAD, ADJACENT TO COMP. AIR PIPING FROM ROOM NO 177 TO THE OVER-HEAD LUBE AND OIL REEL DISPENSERS AT THE LIFTS IN SHOP 180, 187 & 188. DISPENSING LINES ARE 3/4\"/>



REMOTE AIR CONTROL DETAIL NOT TO SCALE

Bldg 1854

M-13

NAVAL FACILITIES ENGINEERING COMMAND

FIC DIVISION

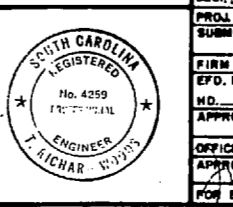
HOPKINS, VIRGINIA

MCB CAMP LEJEUNE, N. C.

TANK/AUTO MAINTENANCE FACILITY

PART COMP AIR AND EQUIP. PLAN

TANK/AUTO SHOP BLDG.

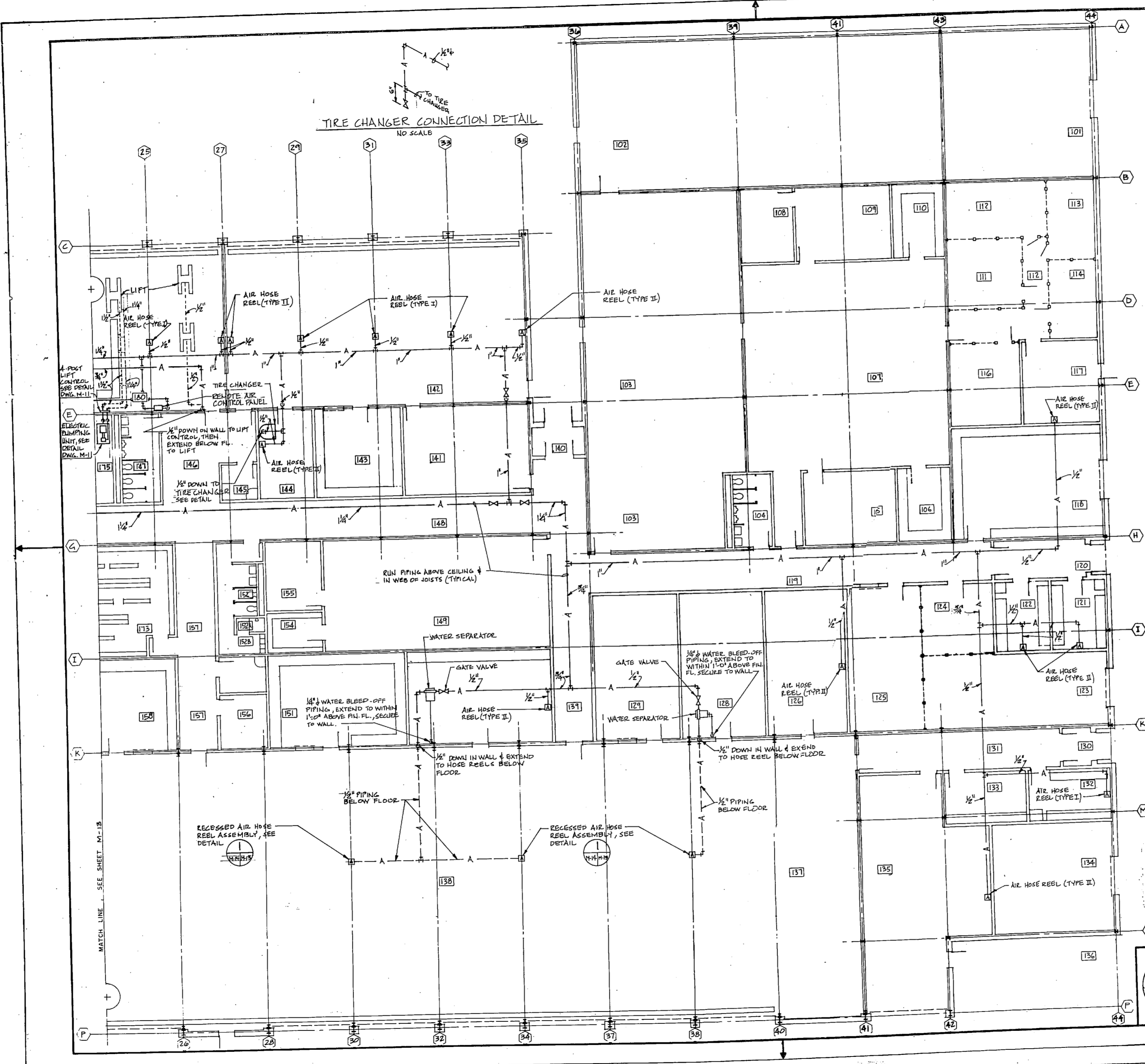


DESIGNED BY: M. H. H. (M. H. H.)	CHECKED BY: C. M. ROODS
DATE: 12/21/14	DATE: 12/21/14
FIRM: M. H. H. ENGINEERS	NO. 4259
APPROVED BY: M. H. H.	DATE: 12/21/14
OFFICER IN CHARGE: M. H. H.	DATE: 12/21/14
FOR EPO FOR COMMANDER, NAVFAC	SCALE: AS SHOWN SPEC. 05-79-9241

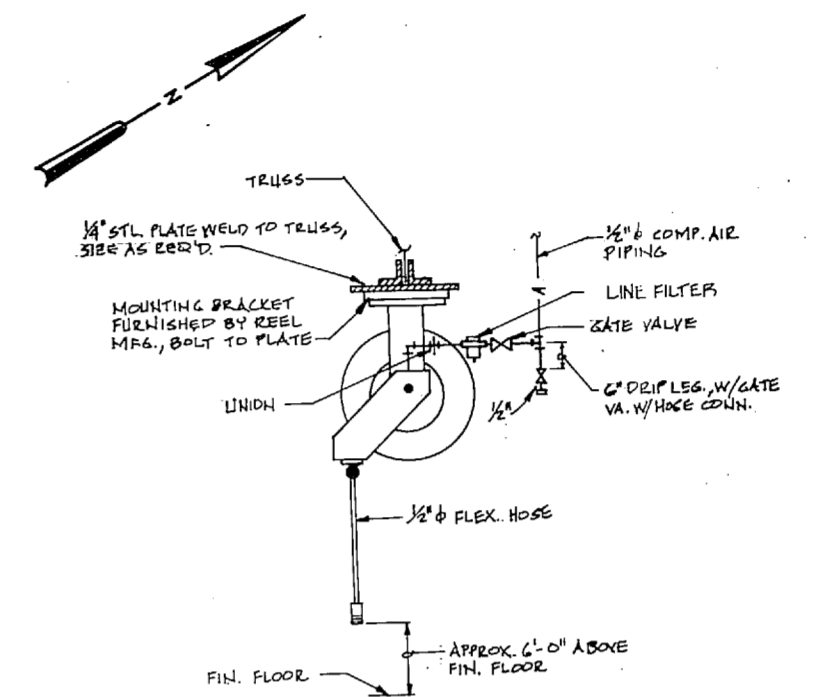
SIZE: F	CODE: 80091	COMTR. CONTR. NO.: N62470-79-B-9241
NAVAC DRAWING NO.: 4061942	SHEET: 28 OF 82	E.P.O. NO.: 161942



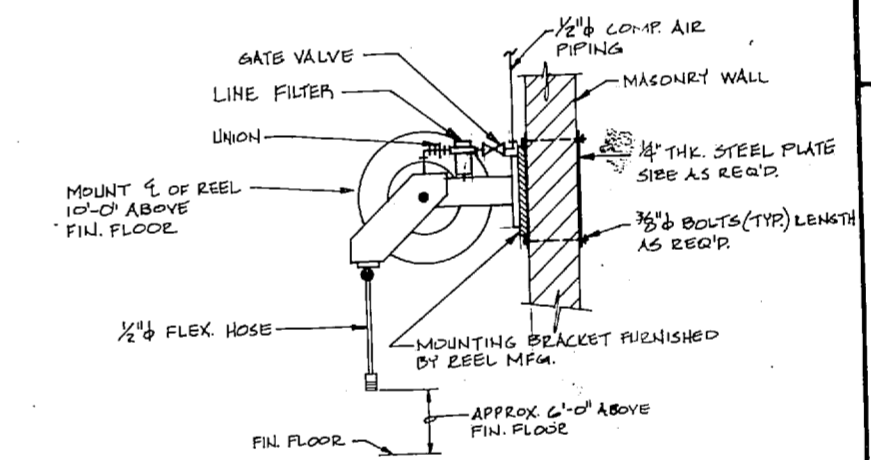
87



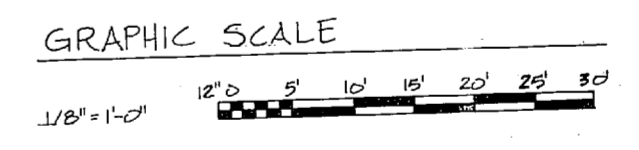
REVISIONS			
BY	DESCRIPTION	DATE	APPROVED



AIR HOSE REEL DETAIL (TYPE I)
NO SCALE



AIR HOSE REEL DETAIL (TYPE II)
NO SCALE



Bldg 1854

M-14

DEPARTMENT OF THE NAVY
NAVAL FACILITIES ENGINEERING COMMAND
ATLANTIC DIVISION
NAVAL STATION
CAMP LEJEUNE, N.C.

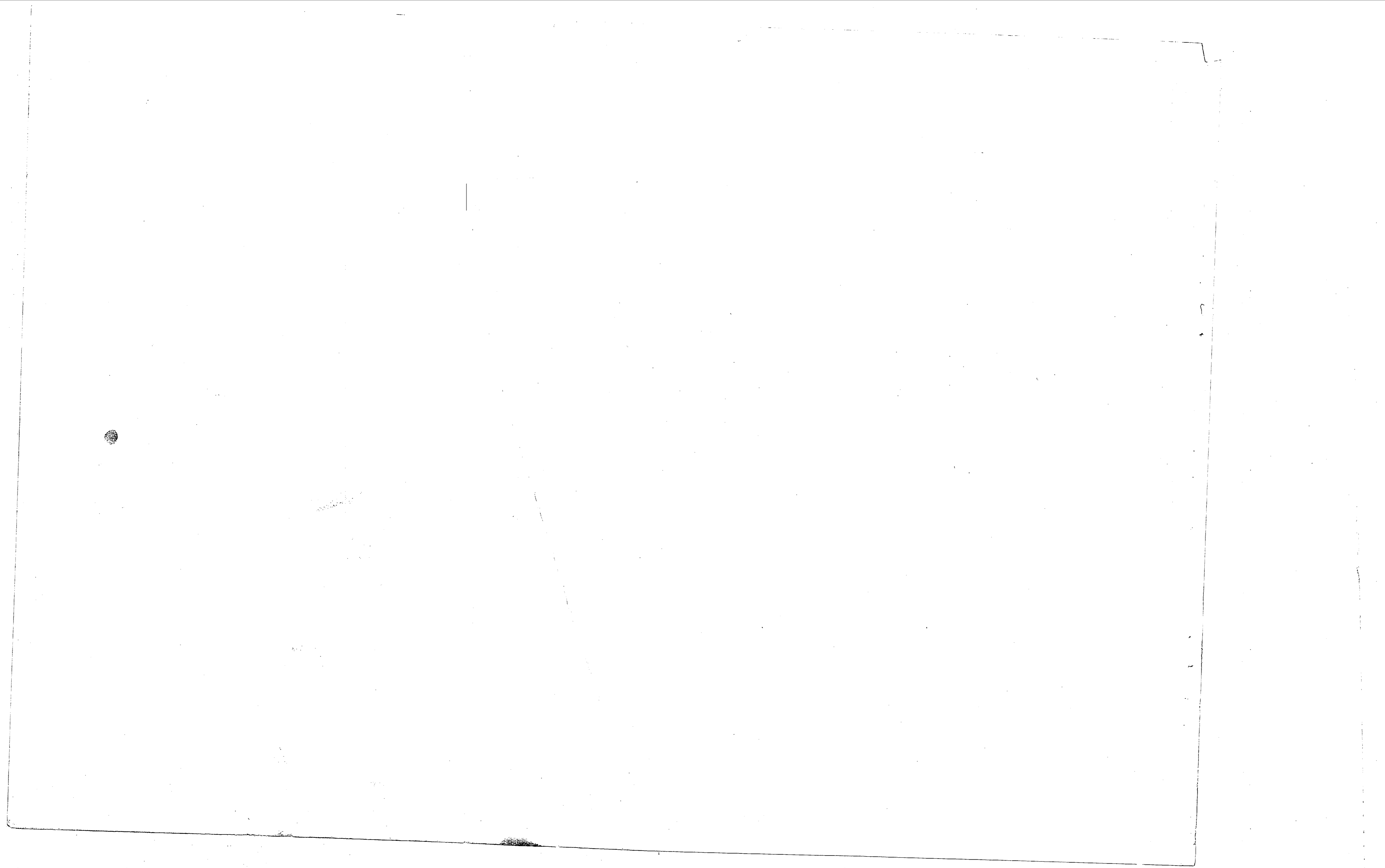
MBTB ARCHITECTS ENGINEERS
TO BE ON THE DRAWING, SEE SPEC.

MBTB ARCHITECTS ENGINEERS
1100 BROADWAY
NEW YORK, N.Y. 10001
DATE: 22 MAY 61
FIRM NUMBER: 1000
OFFICE IN CHARGE: MBTB
APPROVED: [Signature]
FOR EFD FOR COMMANDER SURFAC

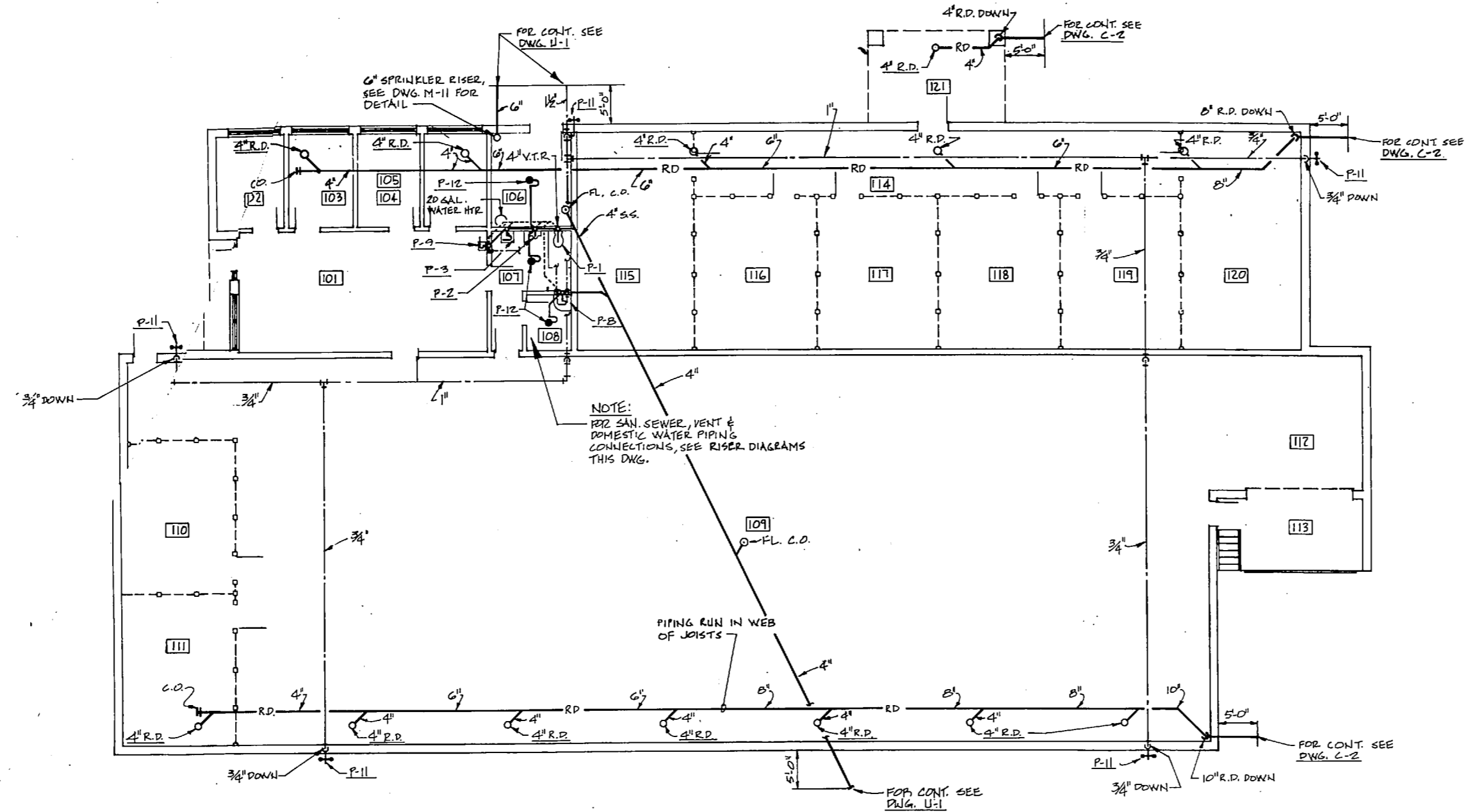
PROJECT: TANK/AUTO MAINTENANCE FACILITY
PART. COMP. AIR AND EQUIP. PLAN
TANK/AUTO SHOP BLDG.

SIZE: CODE IDENT. NO. F 80091
DRAWING NO. 4061943
COMBAT. CONTR. NO. 662470-79-B-9241
SCALE: AS SHOWN SPEC. 05-79-9241

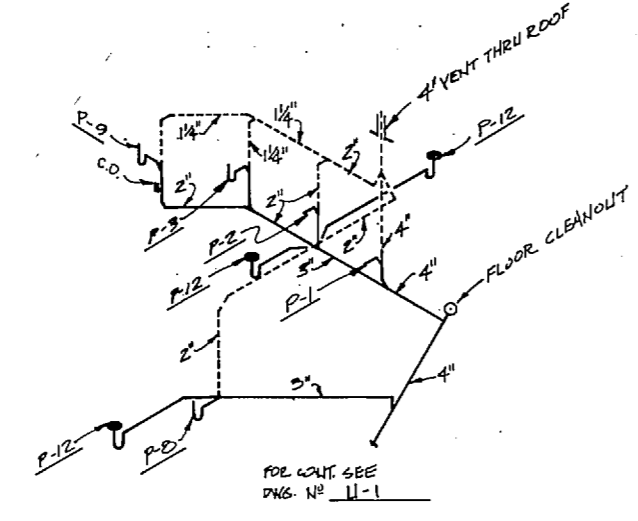
SHEET 01 OF 02
161943



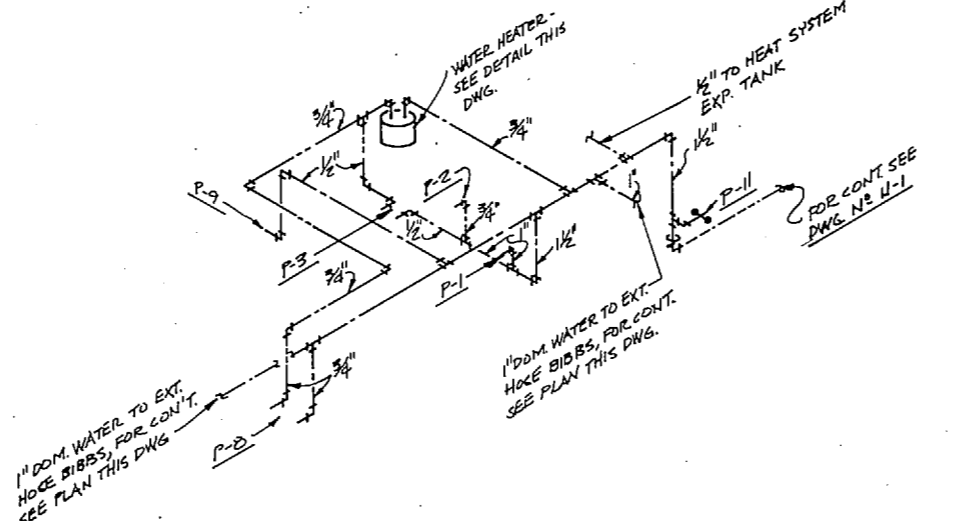
REVISIONS			
SYM	DESCRIPTION	DATE	APPROVED



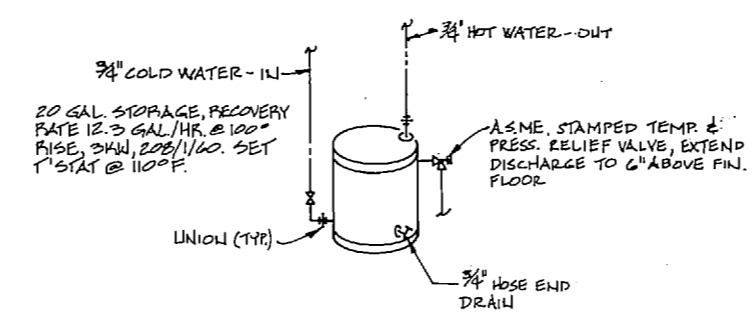
PLUMBING FLOOR PLAN SCALE: 1/8" = 1'-0"



SANITARY SEWER PIPING RISER DIAGRAM NO SCALE



DOMESTIC WATER PIPING RISER DIAGRAM NO SCALE

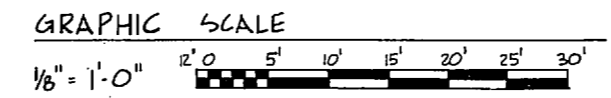


WATER HEATER DETAIL NO SCALE

NOTE:
1. FOR ADDITIONAL DETAILS, SEE DWG. M-5.

Bldg 1854

M-16



MBTB ARCHITECTS & ENGINEERS 200 W. MAIN ST., SUITE 200 CHARLOTTE, N.C. 28202 PHONE: 704.375.1111 FAX: 704.375.1112	DEPARTMENT OF THE ARMY ATLANTIC DIVISION MILITARY STATION CAMP LEJEUNE, N.C.
	PROJECT NO. 161945 DATE: 22 MAY 81 DRAWN BY: J. W. WOODS CHECKED BY: J. W. WOODS APPROVED BY: J. W. WOODS

