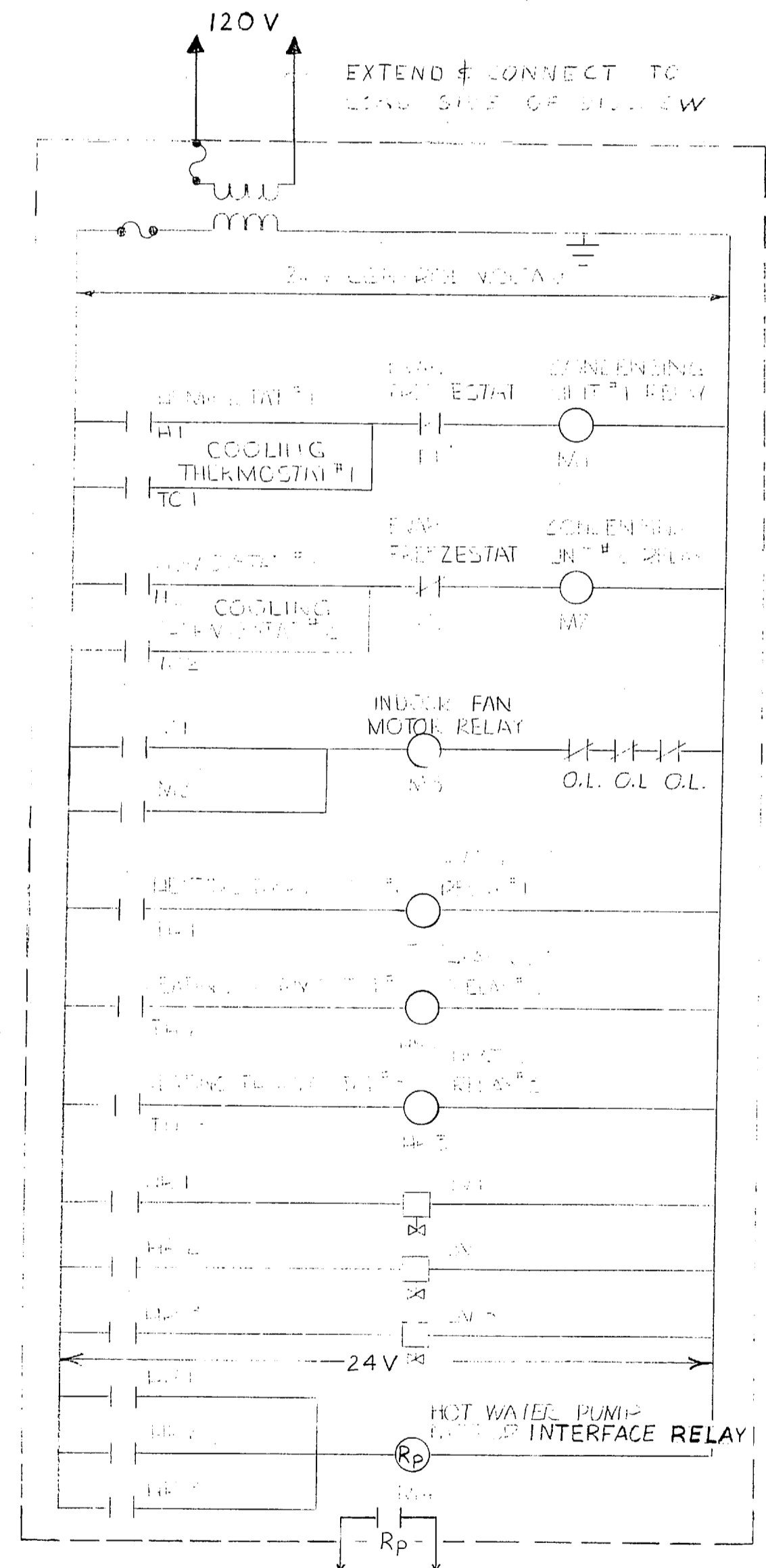
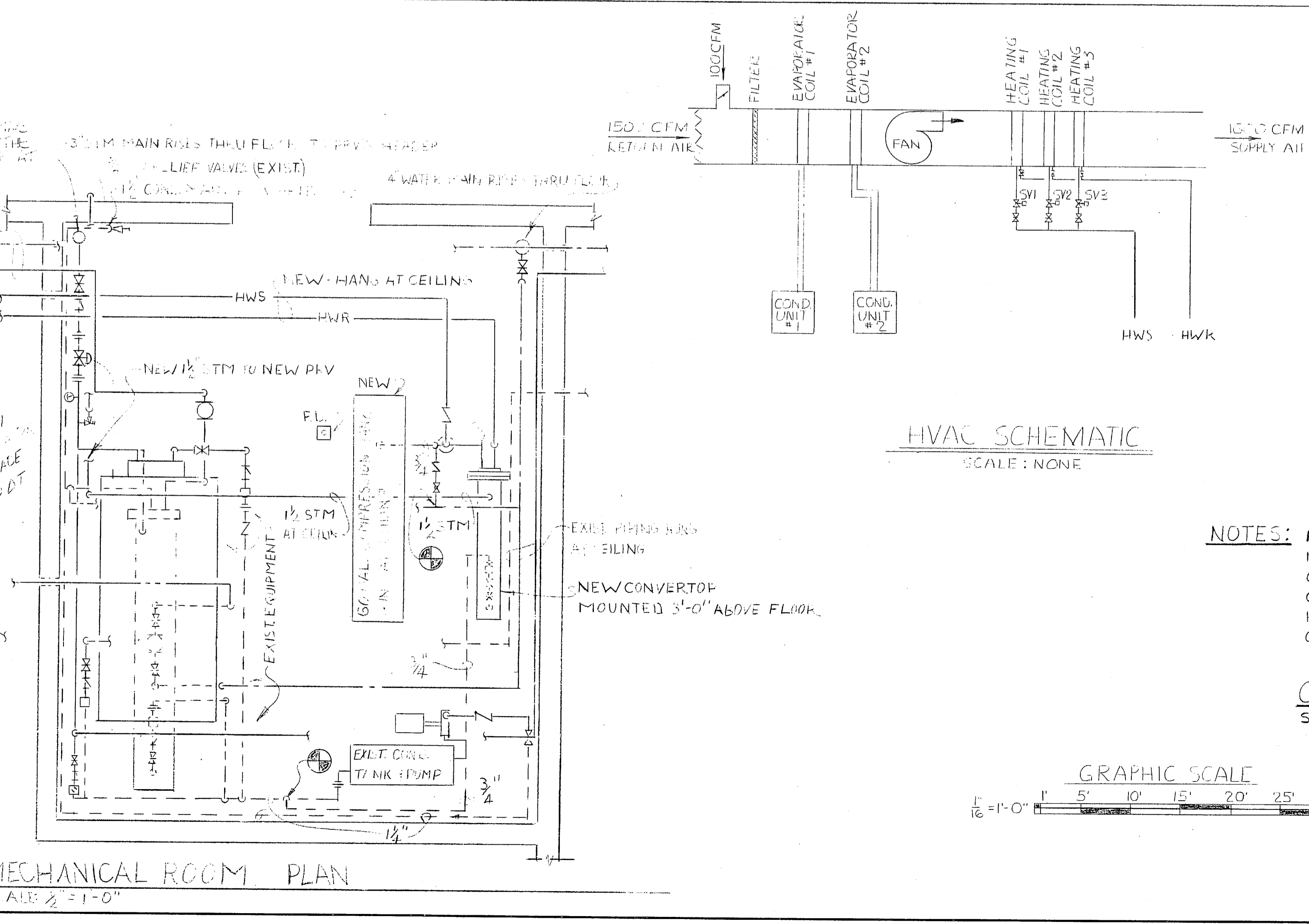
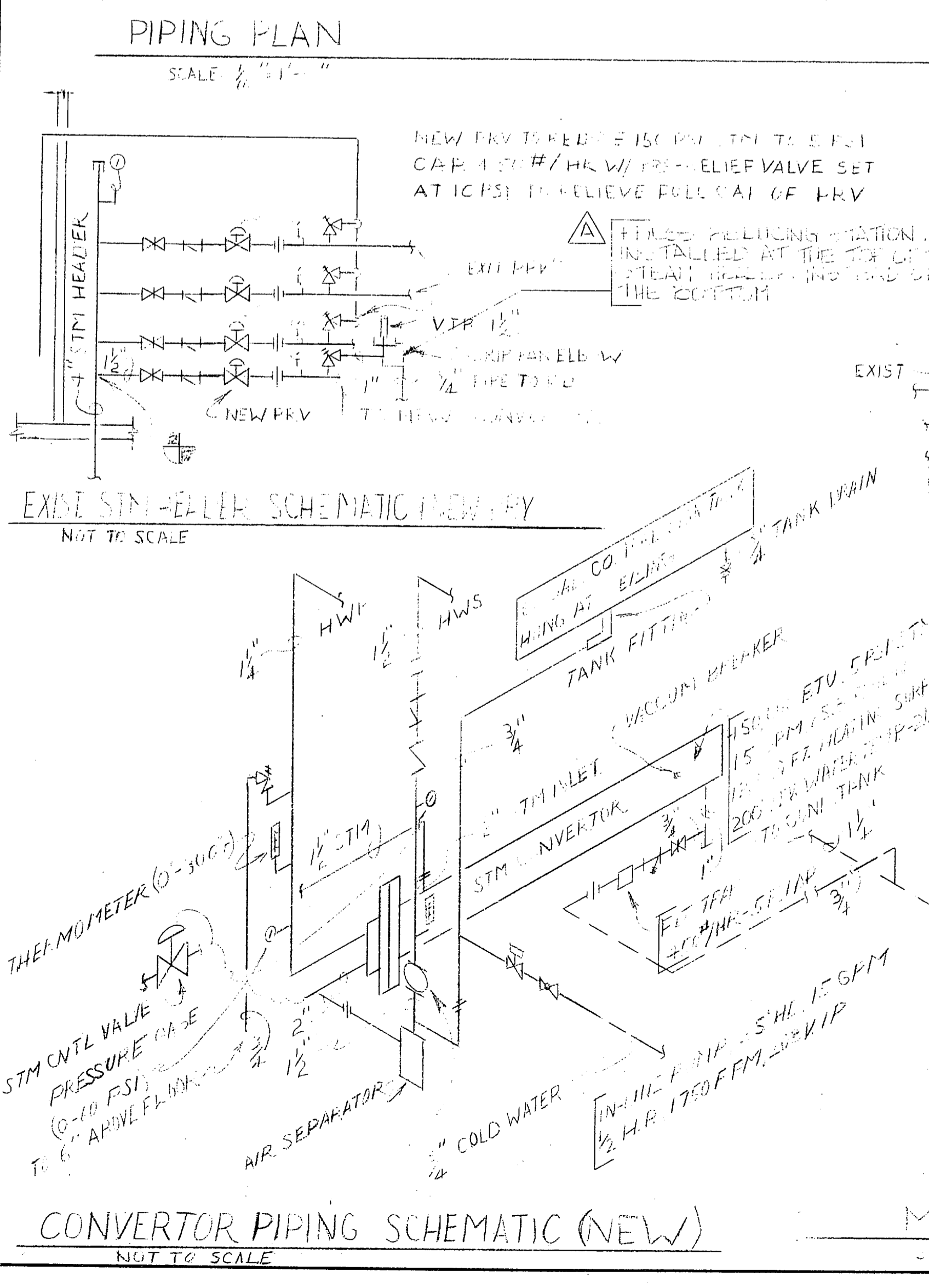
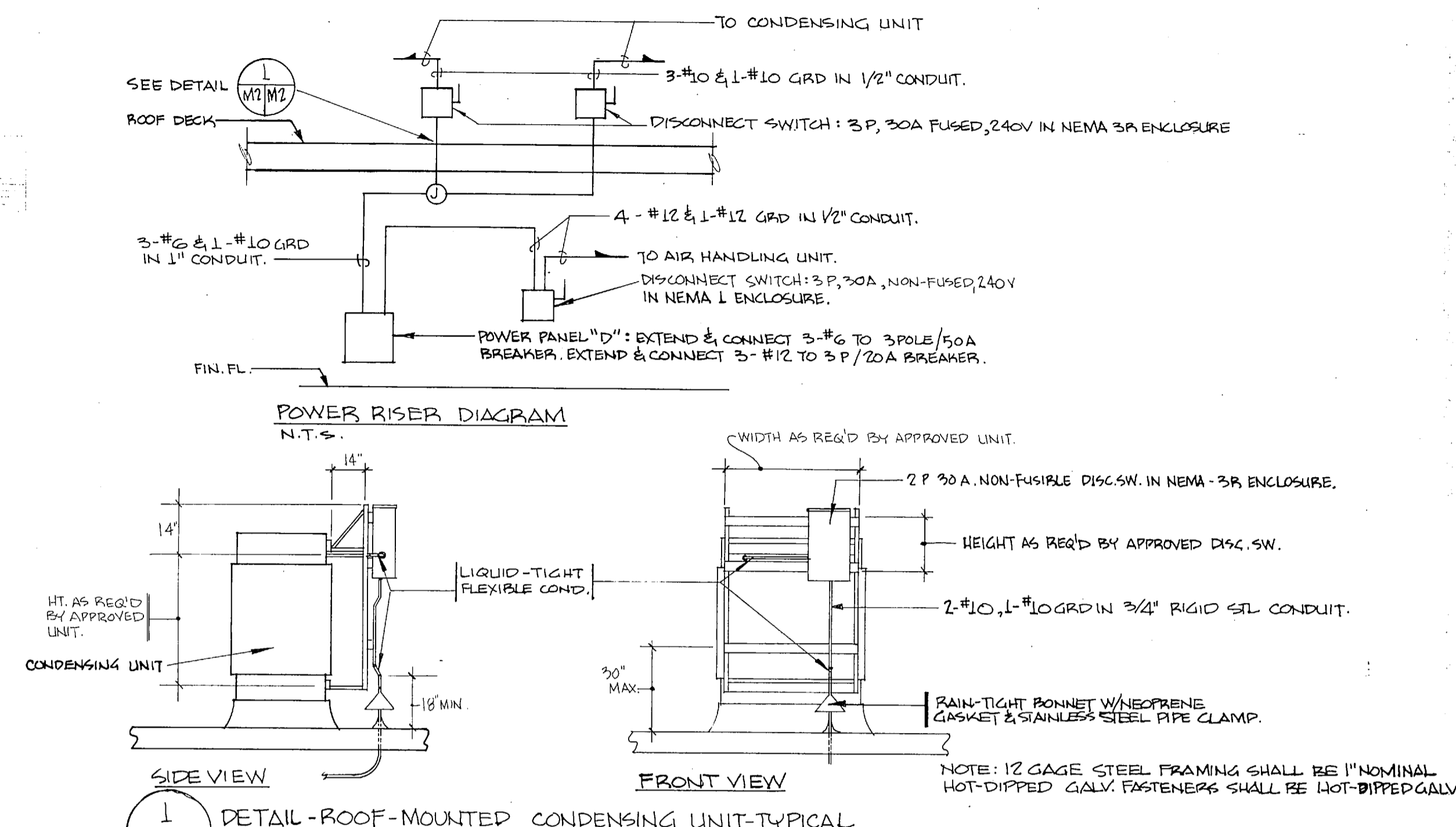
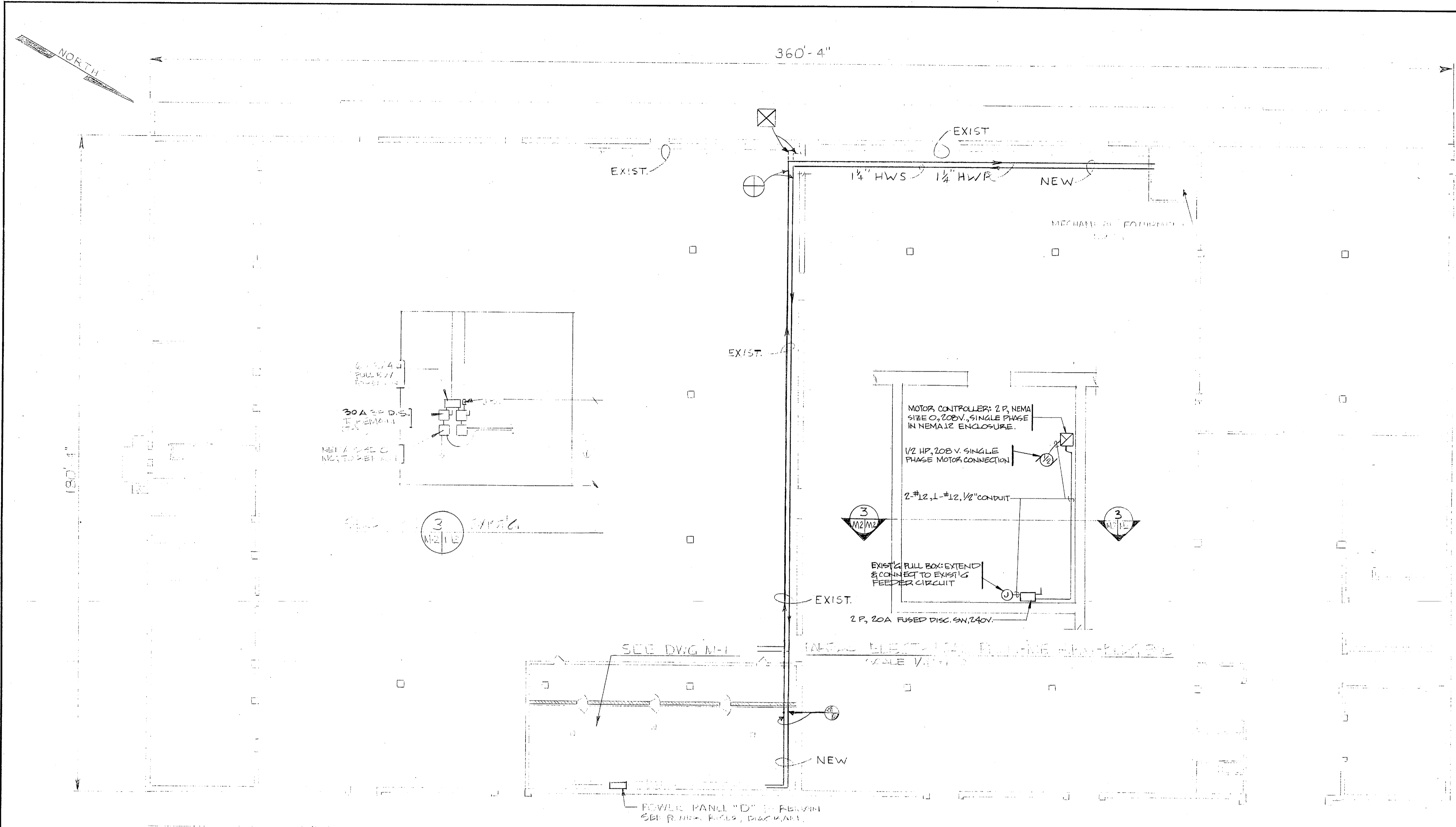


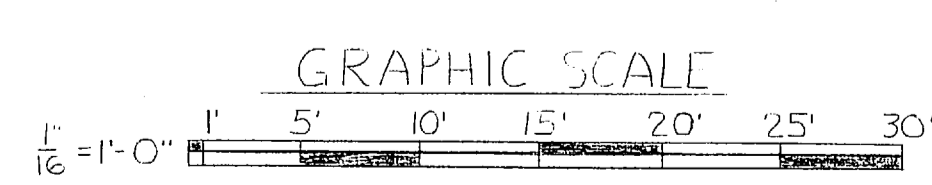
REVISIONS			
SYM.	DESCRIPTION	DATE	APPROVED
A	REVISED "AS-BUILT"	1-24-91	M



- LEGEND**
- AHU AIR HANDLING UNIT
 - EXISTING THERMOSTAT
 - ⊕ HUMIDISTAT #1
 - ⊖ COOLING THERMOSTAT #1
 - ⊕ HEATING THERMOSTAT #1
 - ⊗ CONNECT NEW TO EXIST THIS POINT
 - ⊗ REMOVE TO THIS POINT
 - COND CONDENSATE
 - STM STEAM
 - F.D. FLOOR DRAIN
 - VTR VENT THRU ROOF
 - R/S REFRIGERANT SUCTION LINE
 - RL REFRIGERANT LIQUID LINE
 - HWL HOT WATER RETURN
 - HWS HOT WATER SUPPLY
 - ⊗ GATE VALVE
 - ⊗ GLOBE VALVE
 - ⊗ CHECK VALVE
 - ⊗ "Y" STRAINER
 - ⊗ CONTROL VALVE (PRV)
 - ⊗ STEAM (STM)
 - ⊗ CONDENSATE (COND)
 - ⊗ DOMESTIC HOT WATER
 - ⊗ COLD WATER
 - ⊗ PRESSURE RELIEF VALVE

NOTES: HUMIDISTAT CONTACTS CLOSE ON INCREASE IN HUMIDITY
 COOLING THERMOSTAT CONTACTS CLOSE ON INCREASE IN TEMP.
 HEATING THERMOSTAT CONTACT CLOSE ON DECREASE IN TEMP.

CONTROL DIAGRAM
 SCALE: NONE



M-2	
DEPARTMENT OF THE NAVY NAVAL FACILITIES ENGINEERING COMMAND	
MARINE CORPS BASE CAMP LEJEUNE, NORTH CAROLINA	
HVAC FOR ARMORY-BLDG 905	
DESIGN BY: K.W./A.Y.	MELHARICAL PLUMBING SCHEMATICS, L.P., DAN HANSEN, P.E., LICENSED
DR. K.W./K.M.	NAVFAC DRAWING NO. 4112453
CHK. <i>[Signature]</i>	CONSTR. CONTR. NO. N62470-83-0-5870
SUBMITTED BY: <i>[Signature]</i>	SCALE: NOTED SPEC. 05-83-3-870 SHEET 4 OF 4
APPROVED: P.W.D. OR DIC	DATE: 1-24-91
SATISFACTORY TO: <i>[Signature]</i>	DATE: 1-24-91



