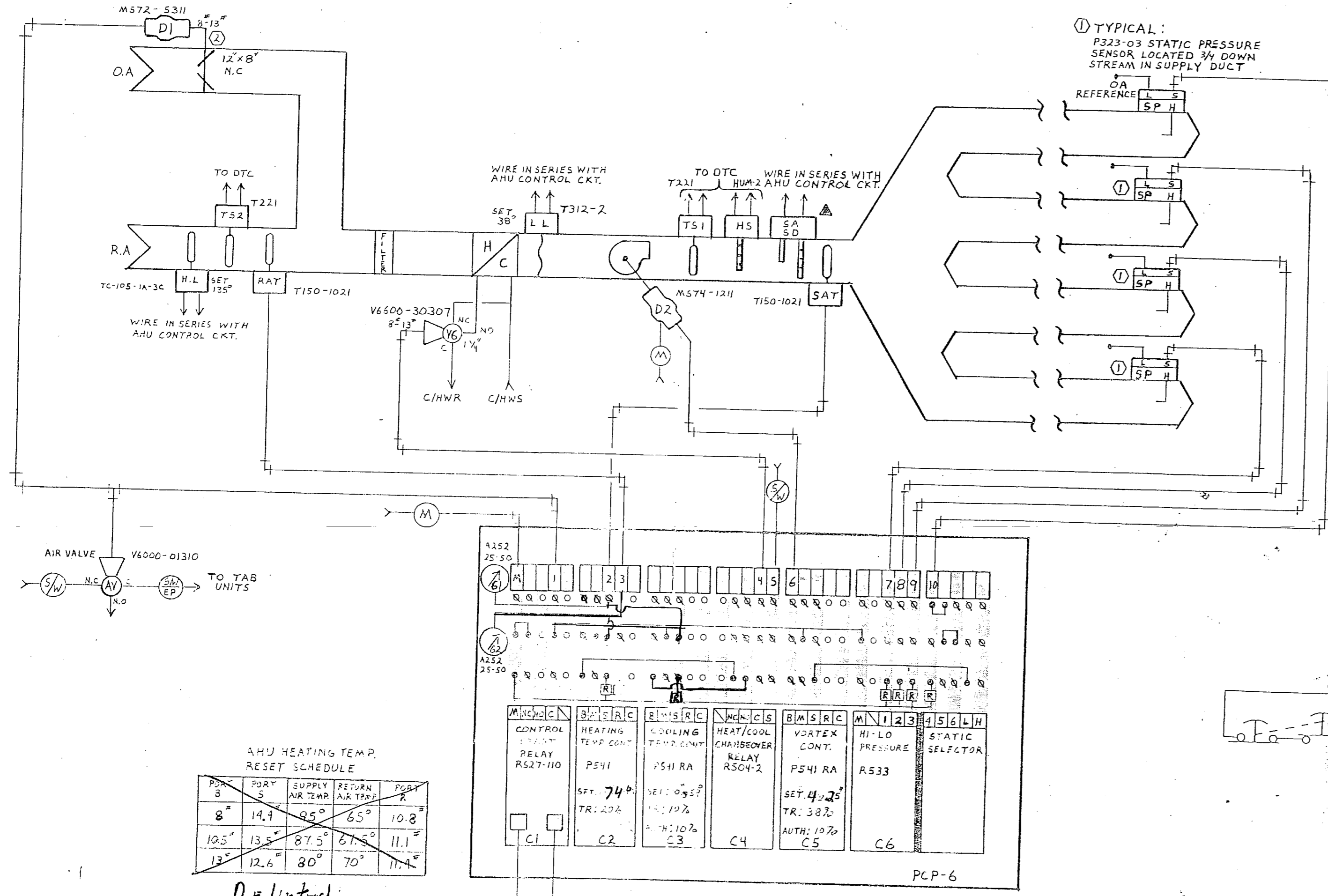


NOTE: ADJUST DAMPER LINKAGE FOR RATED CFM



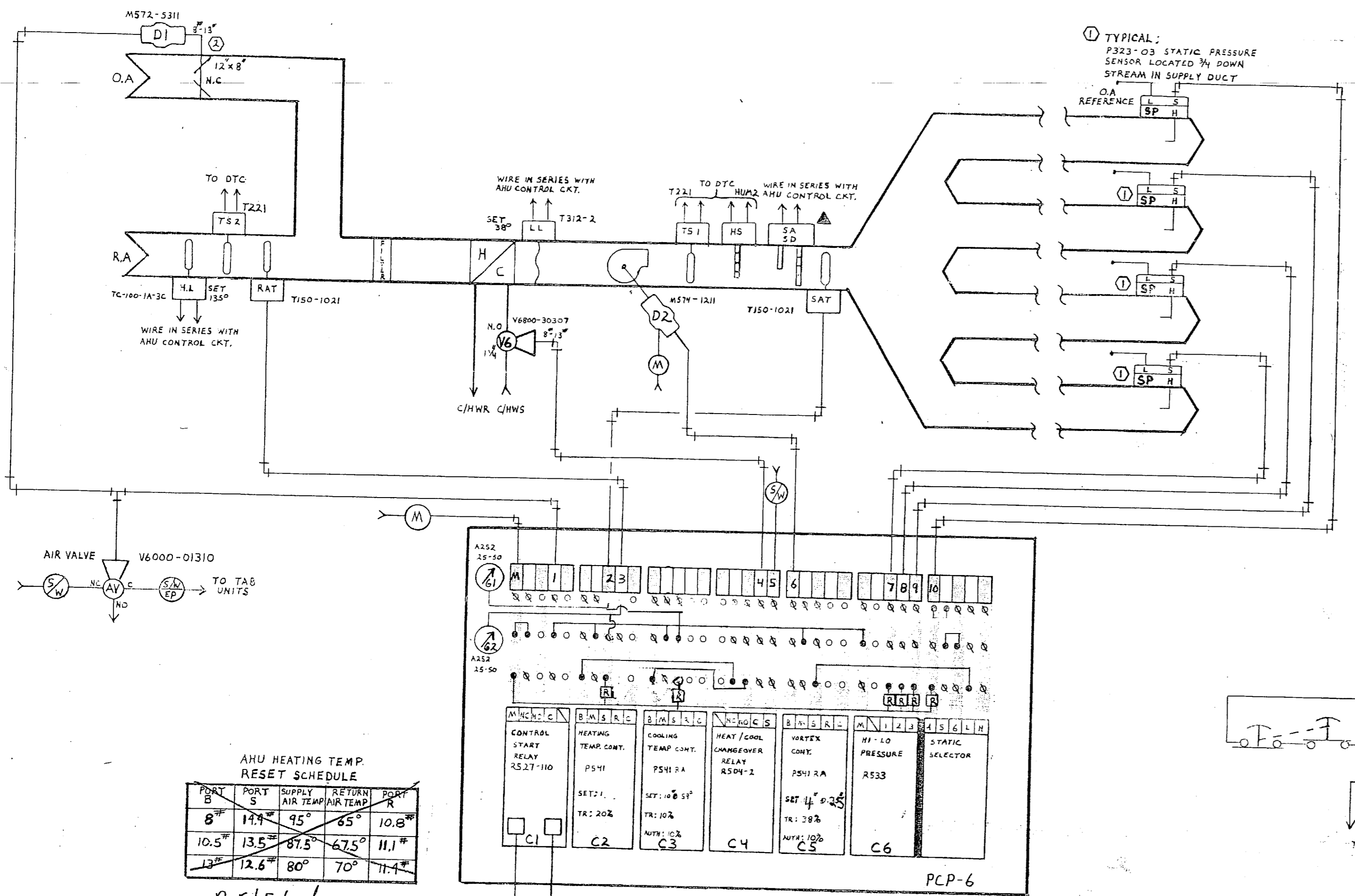
AHU HEATING TEMP. RESET SCHEDULE

DAY	H	S	ROOM	TRIP	TRIP	TRIP	TRIP
8	14.7	45	65	10.8			
10.5	13.5	67.5	67.5	11.1			
12	12.6	80	70	11.4			

~~DELETED~~

AHU CONTROL 3RD FLOOR (2 UNITS)

NOTE: ADJUST DAMPER LINKAGE FOR RATED CFM



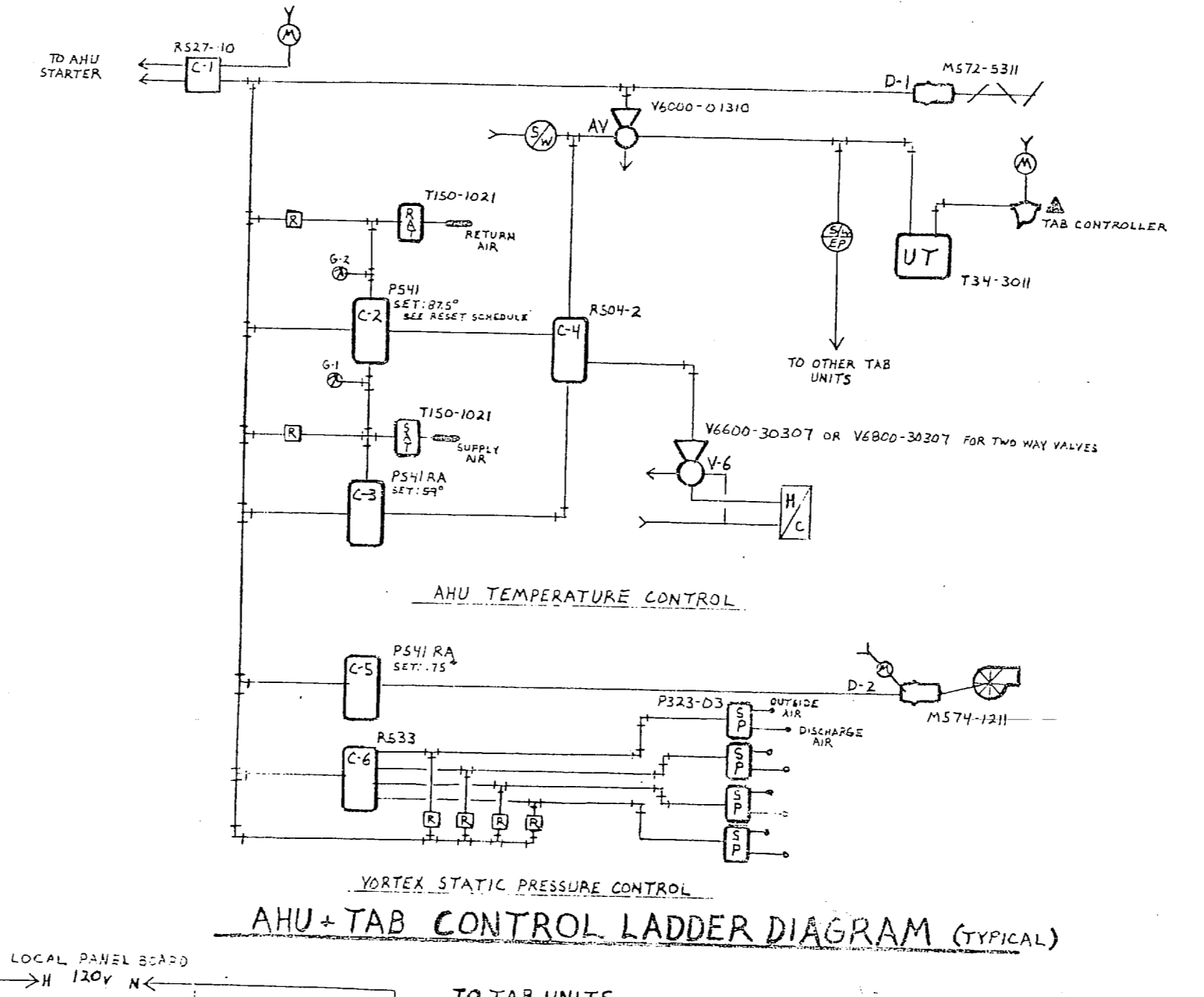
AHU HEATING TEMP. RESET SCHEDULE

DAY	H	S	ROOM	TRIP	TRIP	TRIP	TRIP
8	14.7	45	65	10.8			
10.5	13.5	67.5	67.5	11.1			
12	12.6	80	70	11.4			

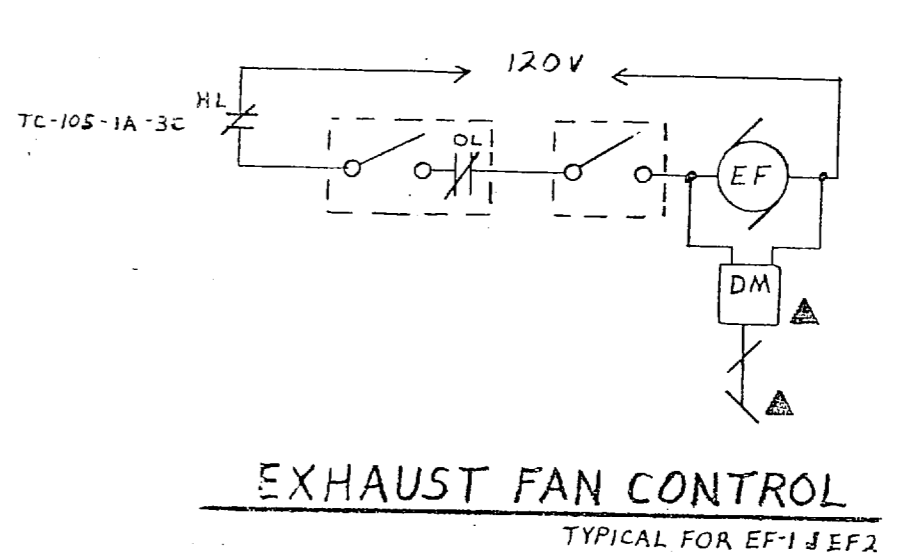
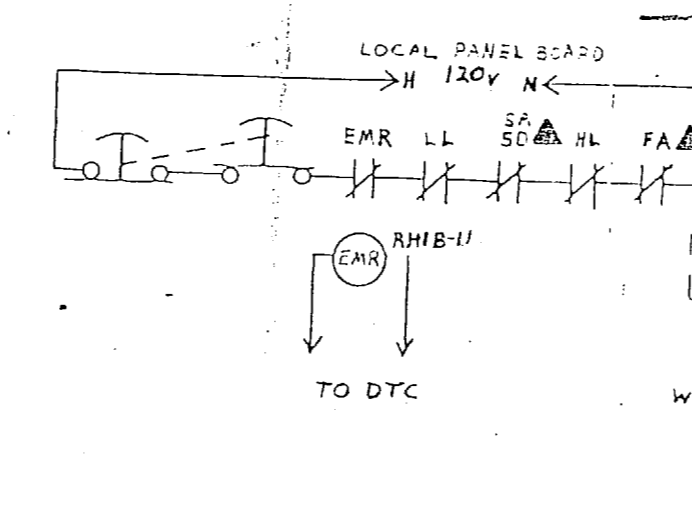
~~DELETED~~

AHU CONTROL 1ST FLOOR (2 UNITS)

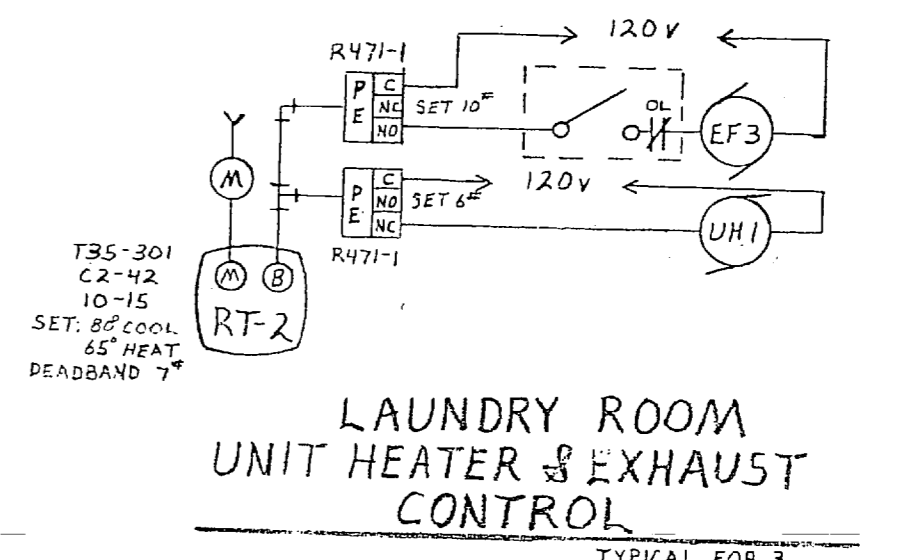
BUILDING HP-503



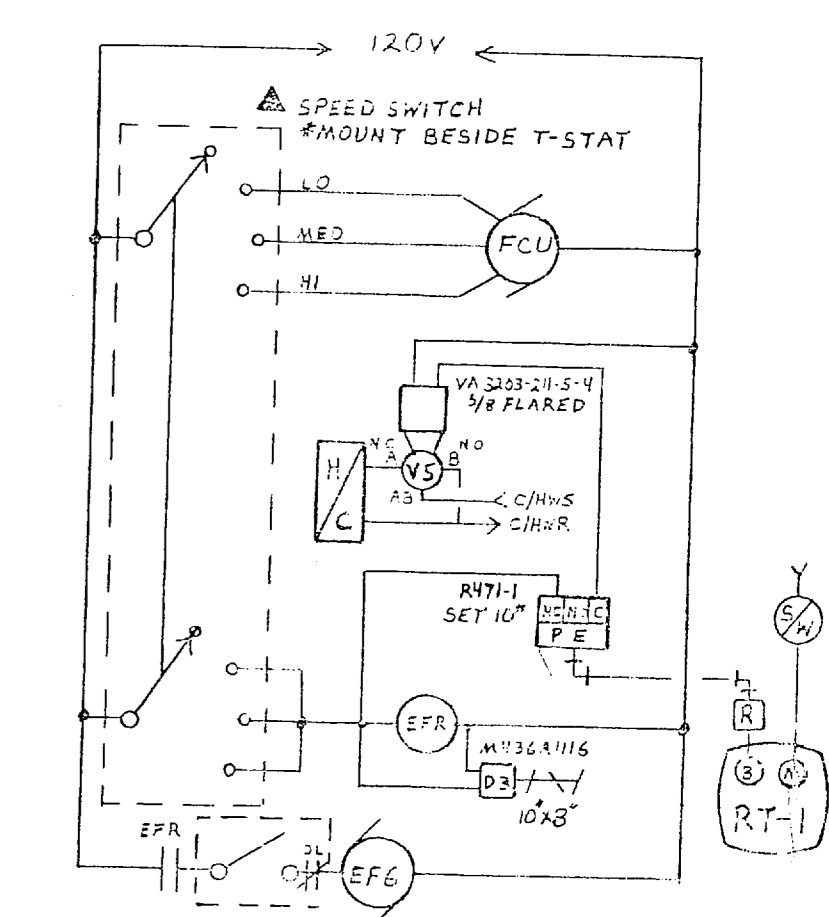
AHU + TAB CONTROL LADDER DIAGRAM (TYPICAL)



EXHAUST FAN CONTROL

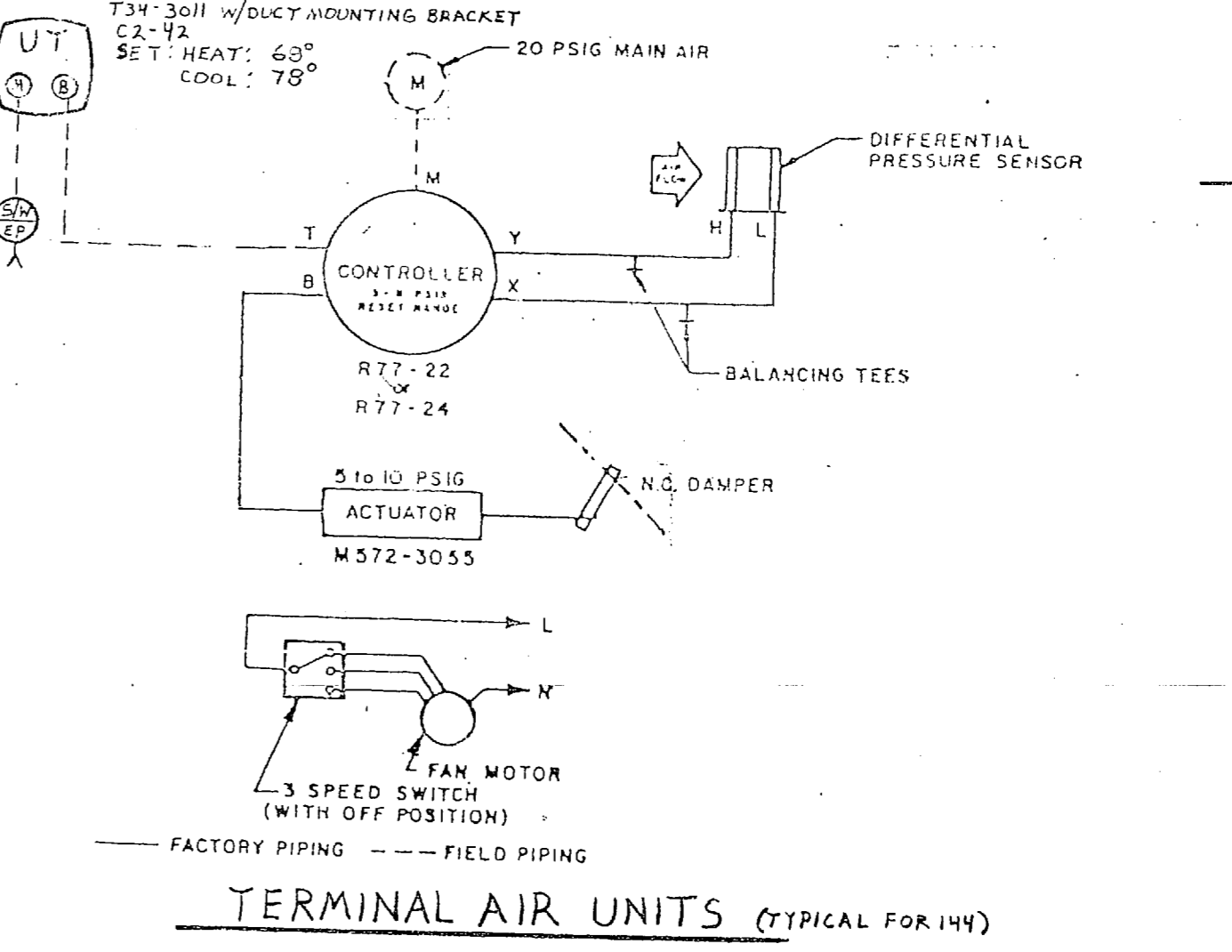


LAUNDRY ROOM UNIT HEATER & EXHAUST CONTROL

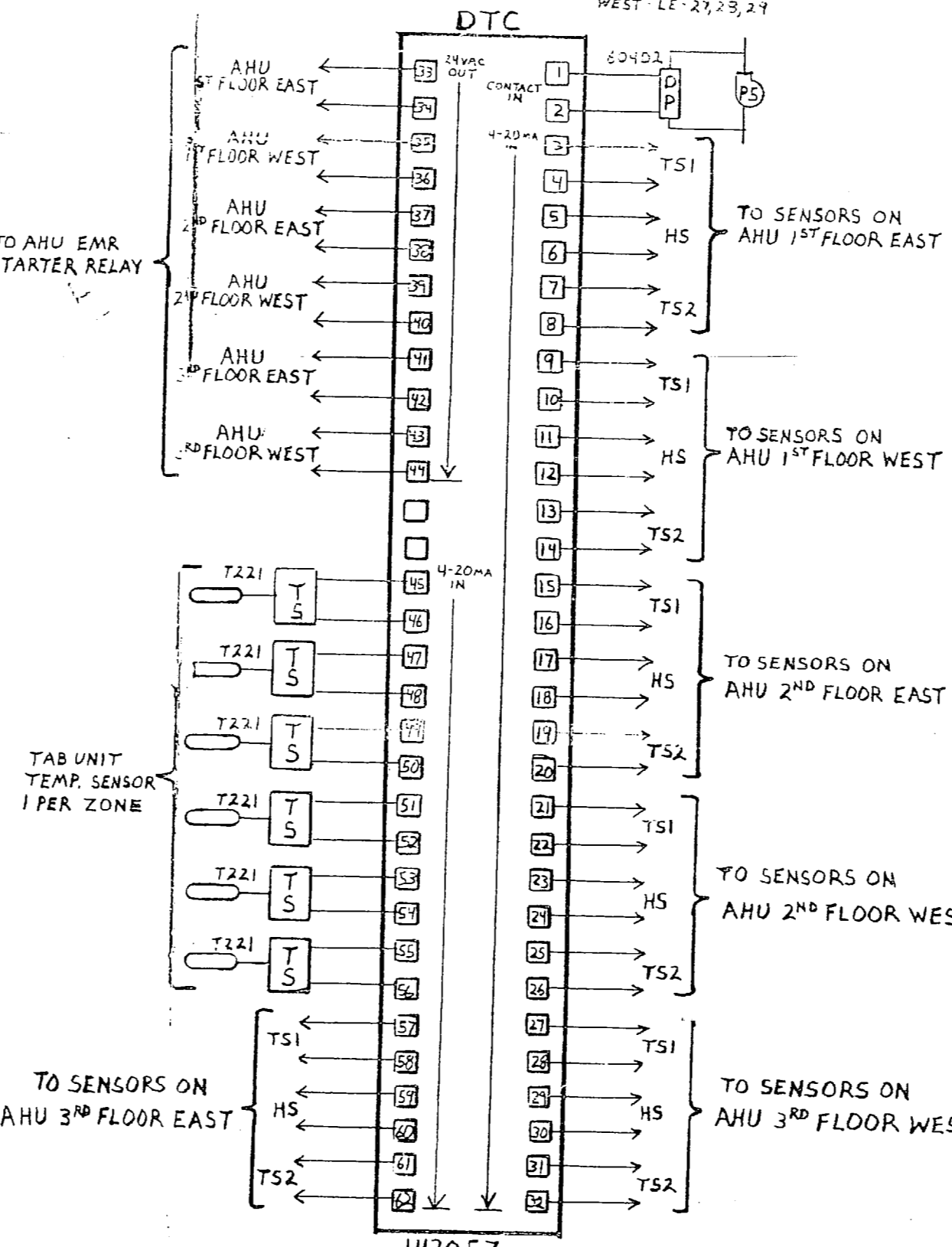


LOUNGE FAN COIL & EXHAUST CONTROL

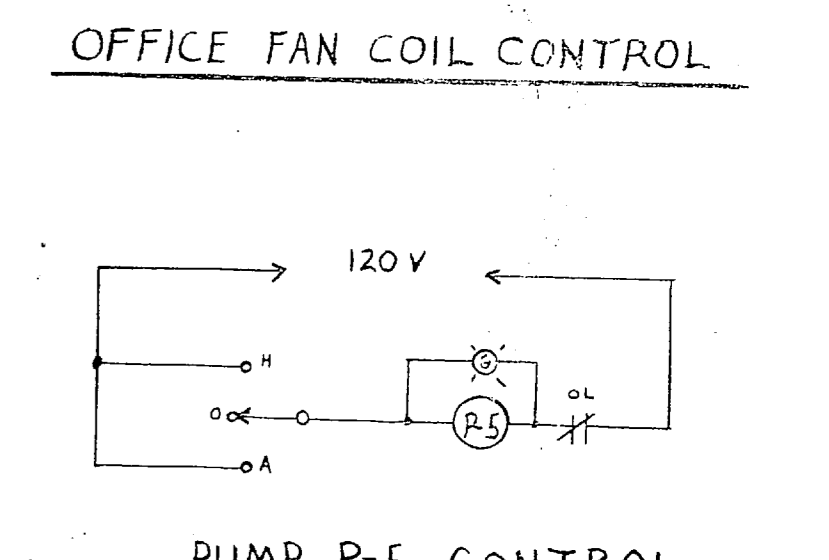
UNIT HEATER 1ST FLOOR



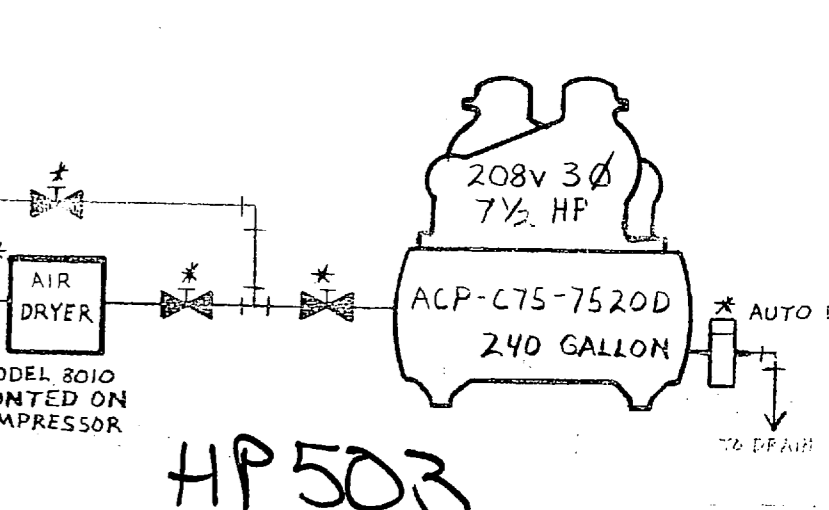
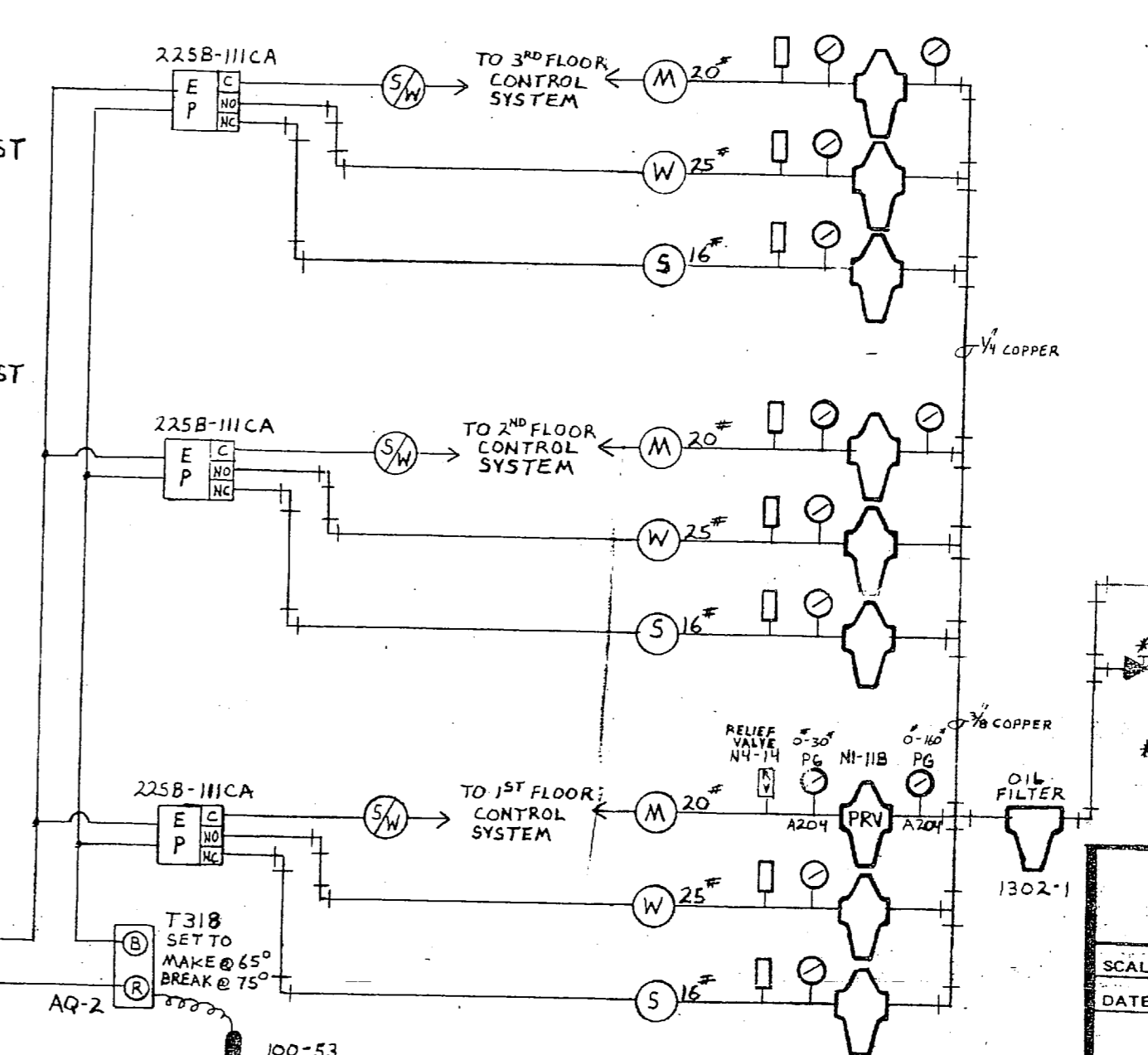
TERMINAL AIR UNITS (TYPICAL FOR 144)



DTC



OFFICE FAN COIL CONTROL



PUMP P-5 CONTROL

HP503

U.E.P.H. CAMP LEJEUNE N.C.

SCALE: _____ APPROVED BY: _____ DRAWN BY: J.B.P.

DATE: 7/24/66 REV: 5/8/87

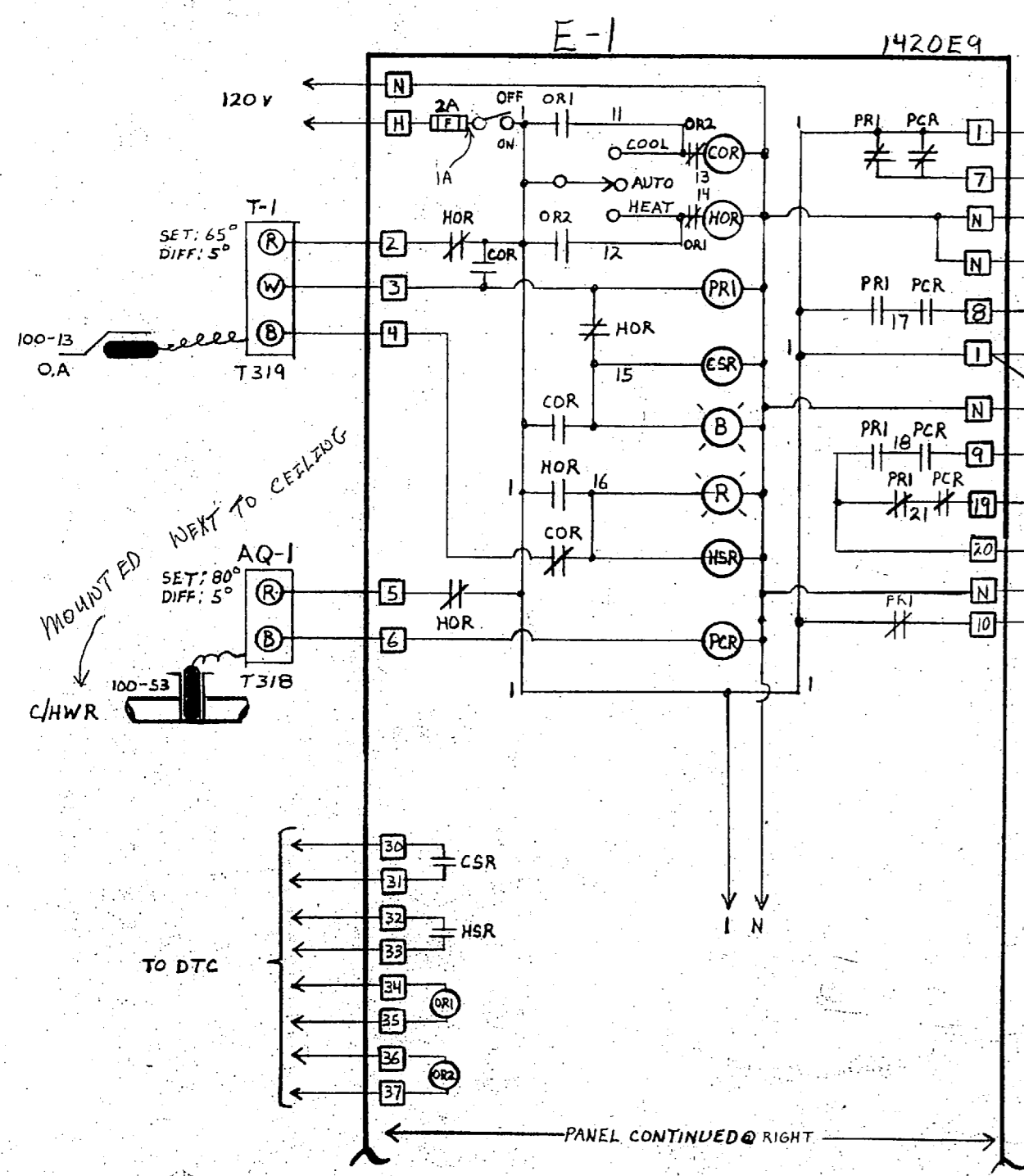
UNIVERSAL CONTROLS

PAGE 1 OF 4 DRAWING NUMBER: 2696

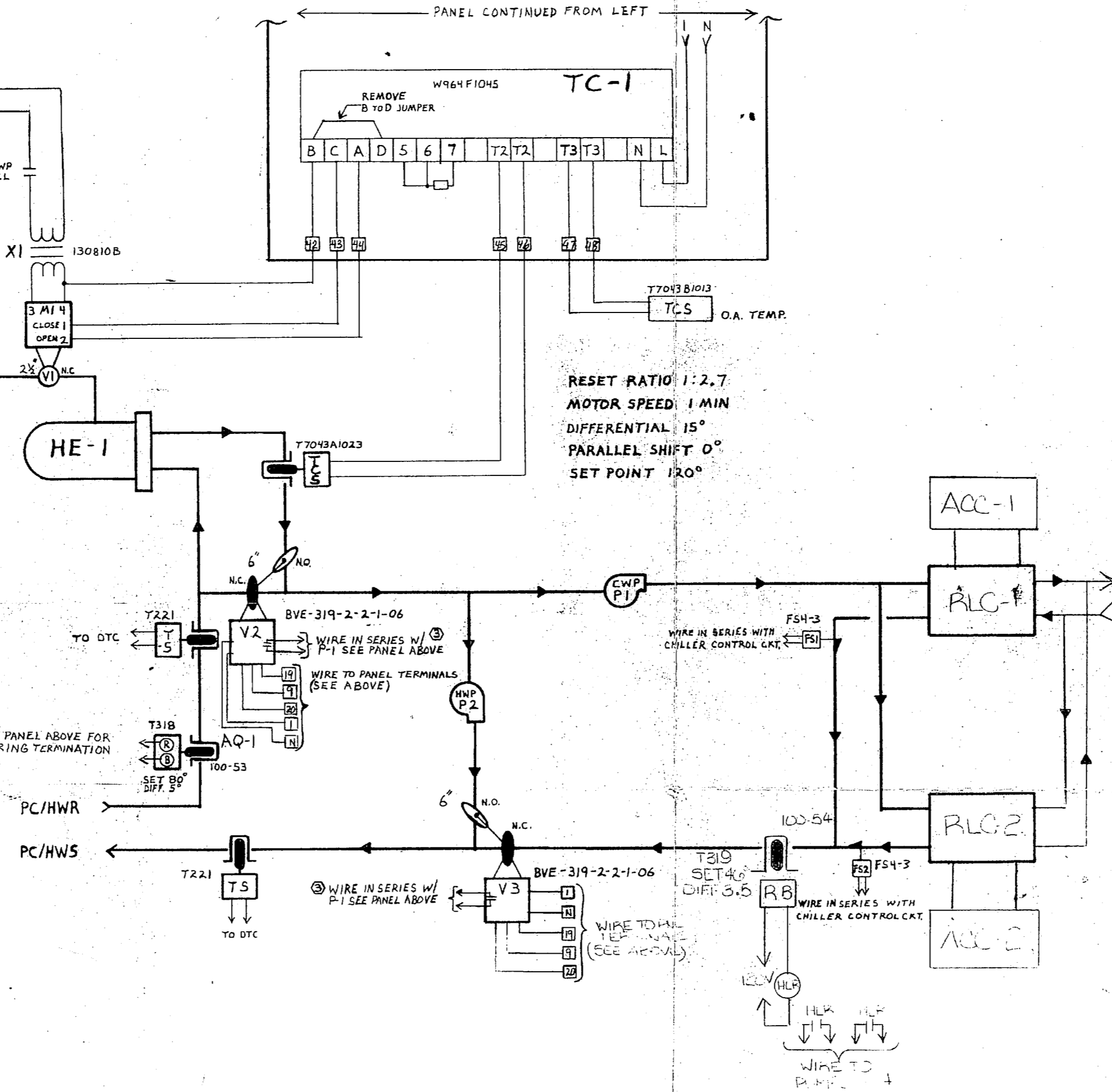
11.038

BUILDING HP-502

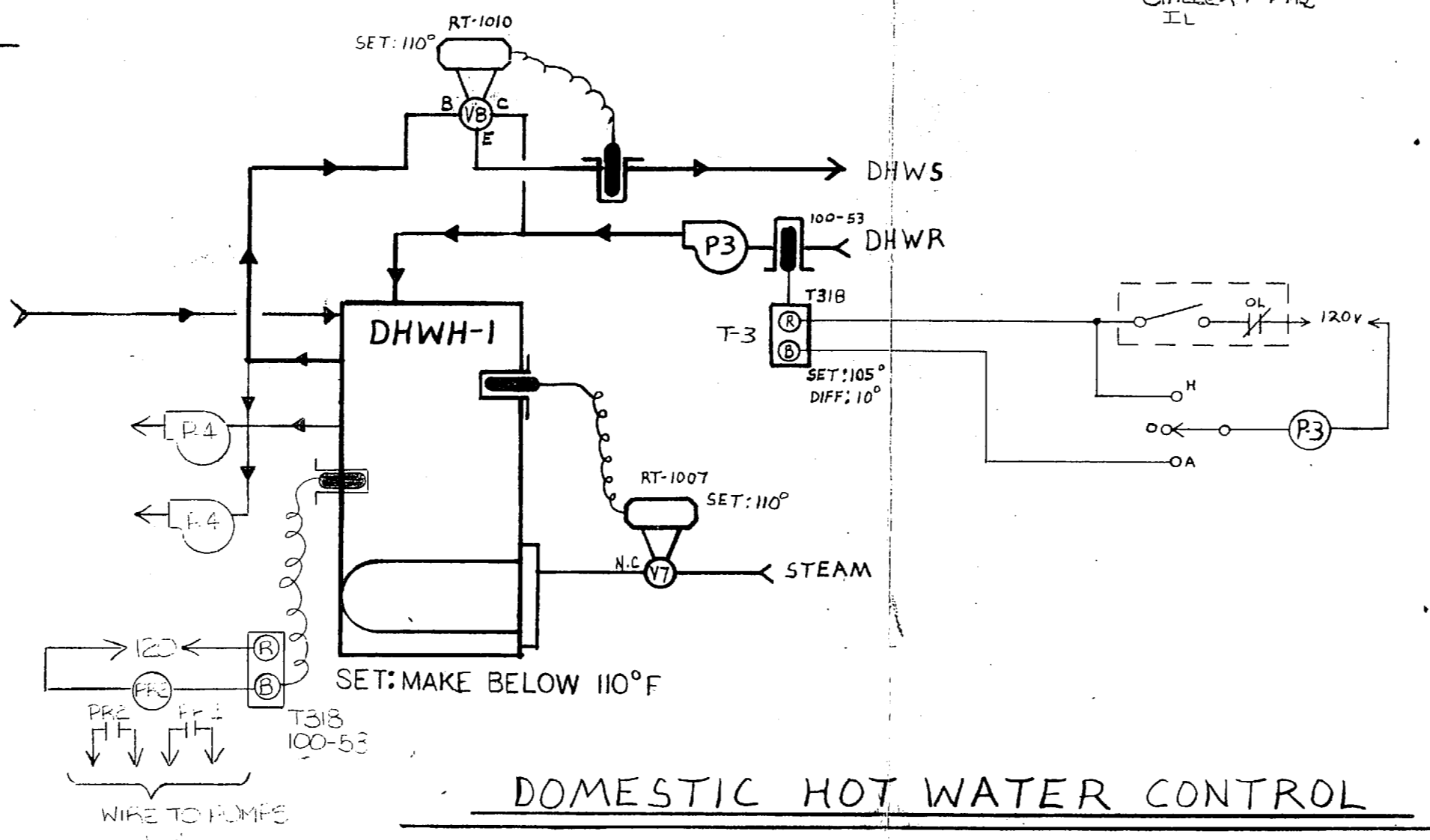
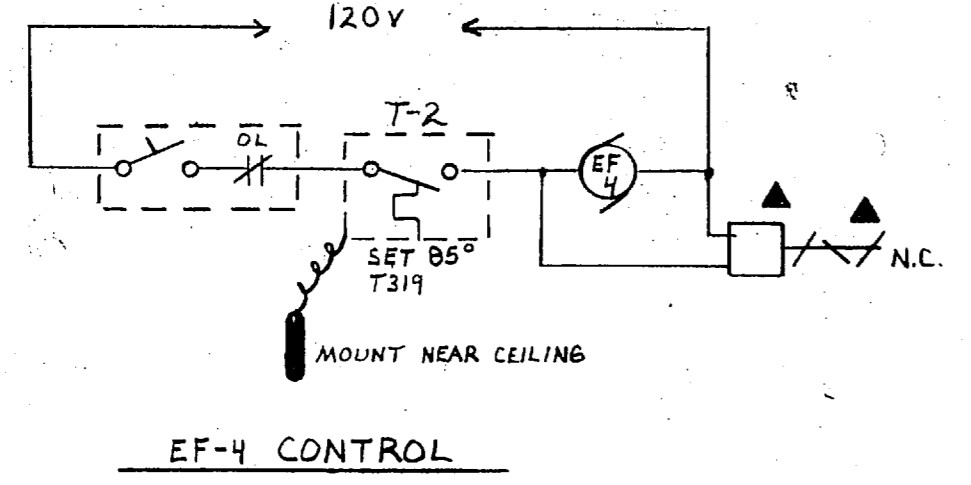
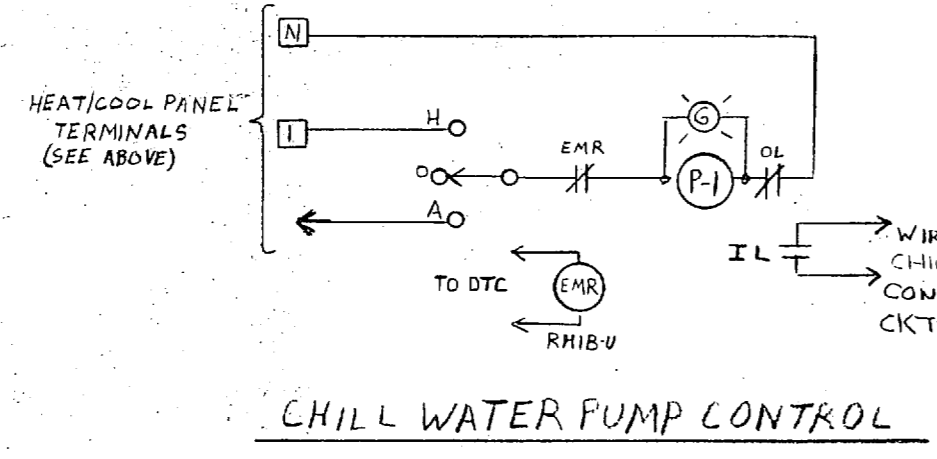
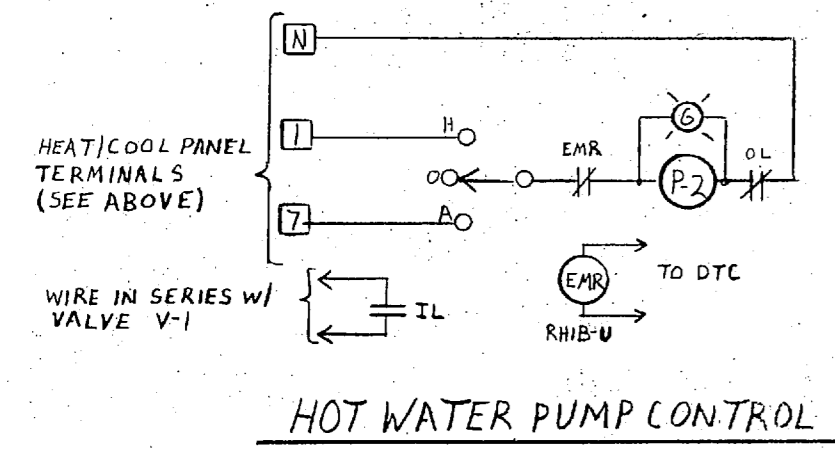
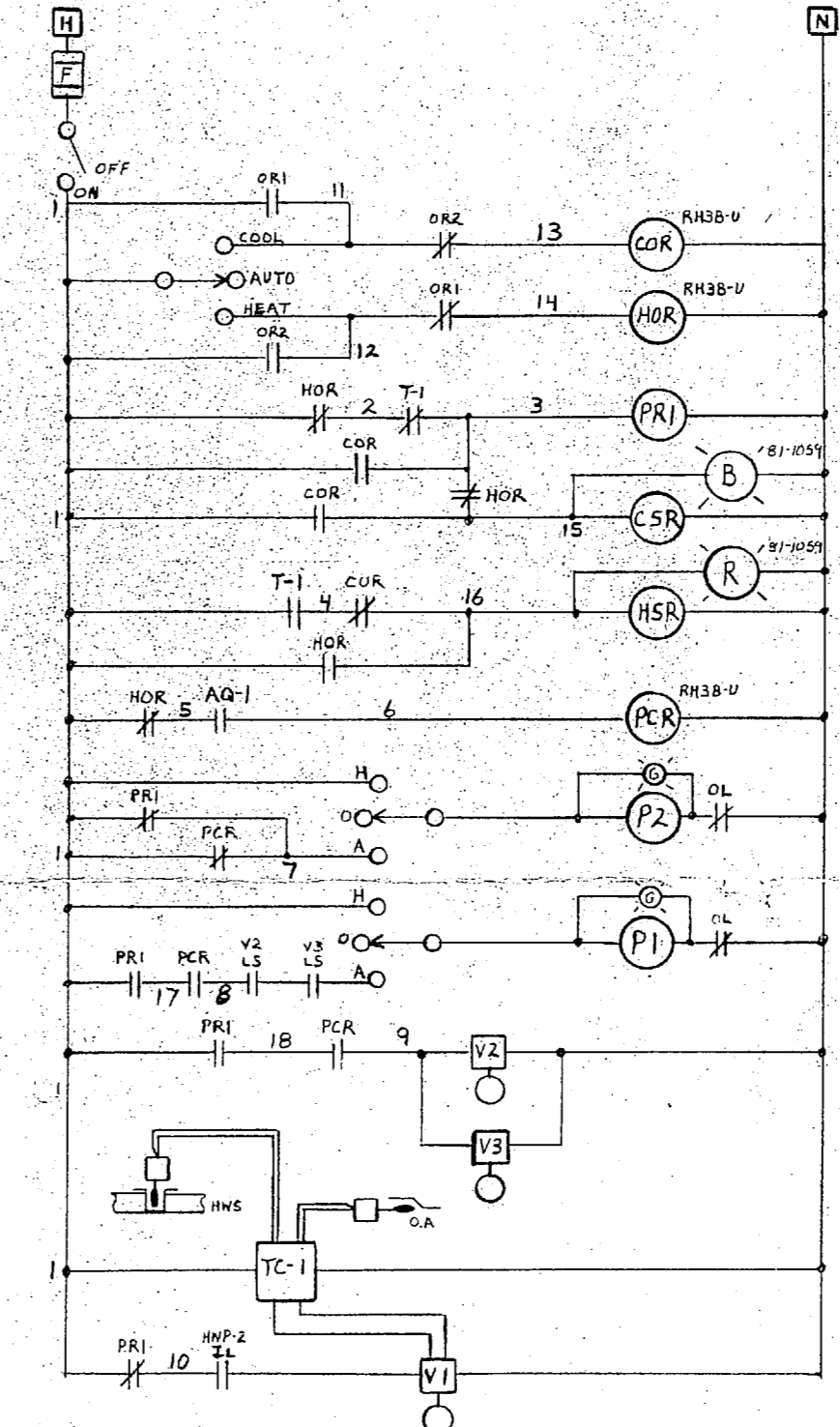
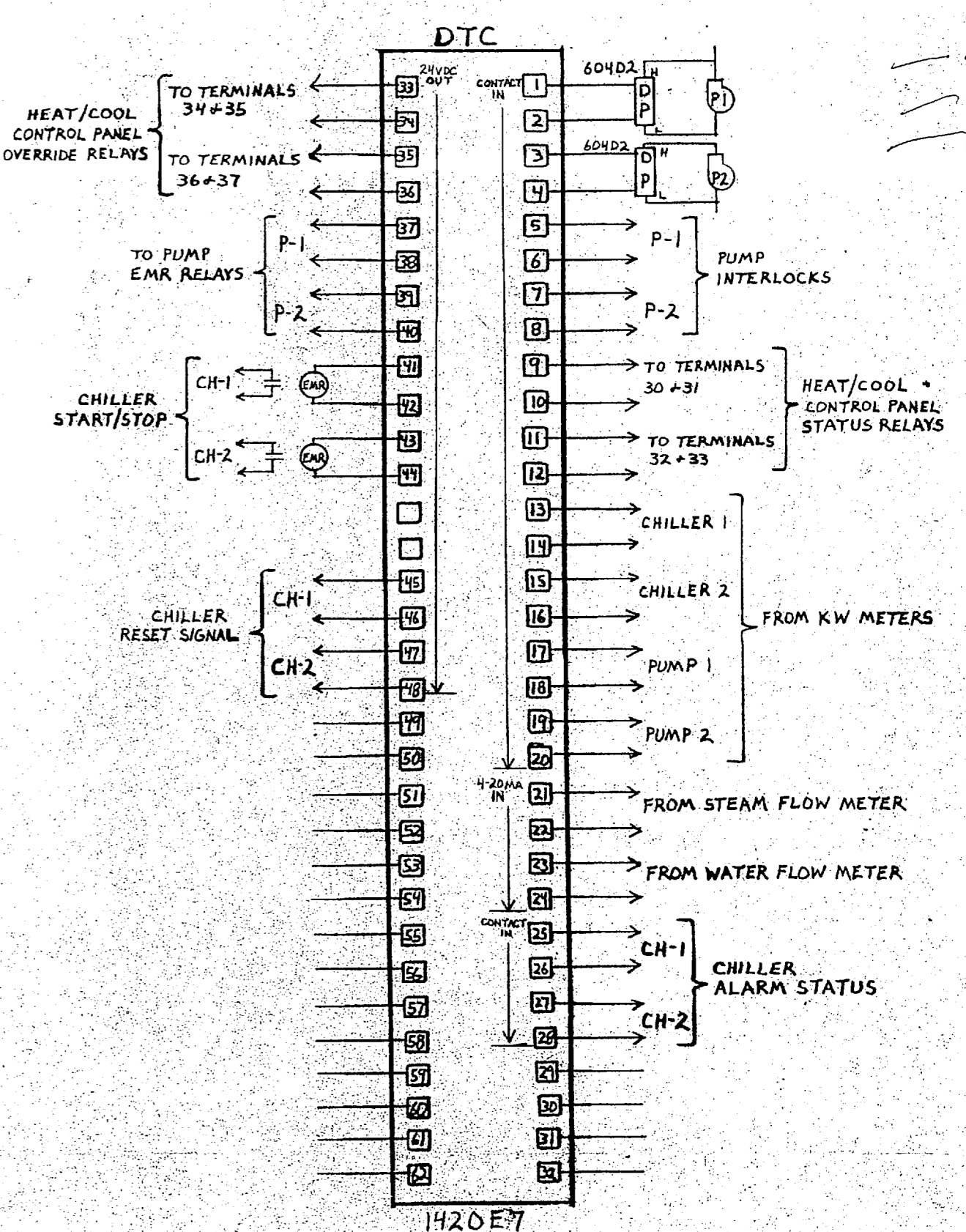
2
28
48
44
43
42
41
47



NOTE: THESE CONTACTS ARE THE LIMIT SWITCHES ON VALVES V2 + V3



RESET RATIO 1:2.7
MOTOR SPEED 1 MIN
DIFFERENTIAL 15"
PARALLEL SHIFT 0°
SET POINT 120°



LEGEND

- ▲ NOT PROVIDED BY UNIVERSAL CONTROLS
- NOTATION
- OA OUTSIDE AIR
- RA RETURN AIR
- SA SUPPLY AIR
- HL HIGH LIMIT
- LL LOW LIMIT
- TS TEMPERATURE SENSOR
- HS HUMIDITY SENSOR
- SD SMOKE DETECTOR
- SAT SA TEMPERATURE TRANSMITTER
- RAT RA TEMPERATURE TRANSMITTER
- FA FIRE ALARM
- PR, PCR, HRB, EMR, etc.; RELAY OR CONTACTOR
- FS FLOW SWITCH
- LIGHTS
- LS LIMIT SWITCH
- Ⓜ MAIN AIR SIGNAL / TYPICALLY 20"
- Ⓜ WINTER AIR SIGNAL / TYPICALLY 25" OR 16"
- Ⓜ SUMMER AIR SIGNAL / "
- Ⓜ COMMON SUMMER WINTER LINE
- Ⓜ SWITCHED AIR SIGNAL
- Ⓜ RESTRICTOR

07/25/81
08/18/82
08/18/82

U.E.P.H CAMP LEJEUNE N.C.		
SCALE:	APPROVED BY:	DRAWN BY JBP
DATE: 7/24/86		REV:
UNIVERSAL CONTROLS		
PAGE 4 OF 4	DRAWING NUMBER	2696
		18000

