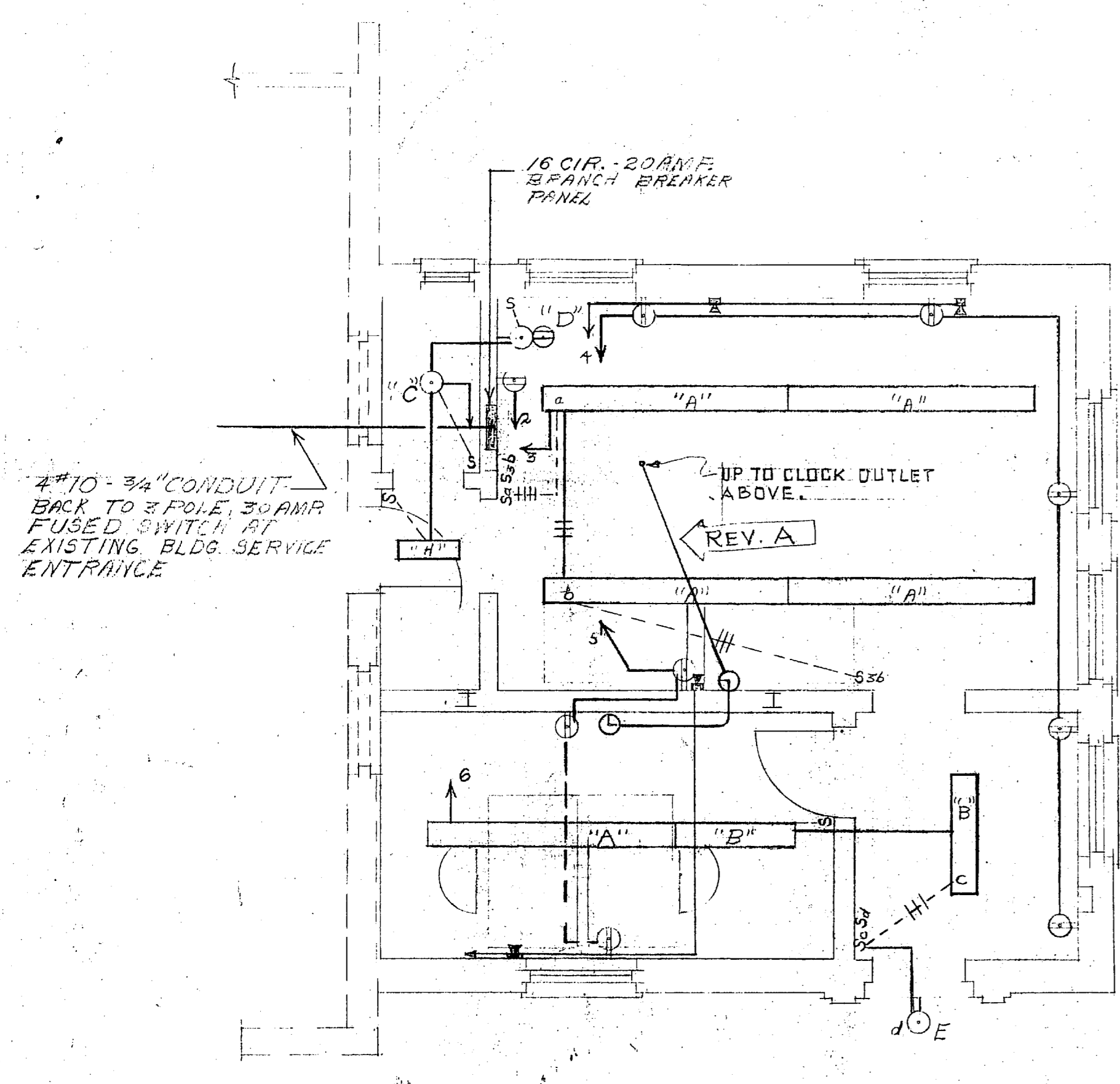
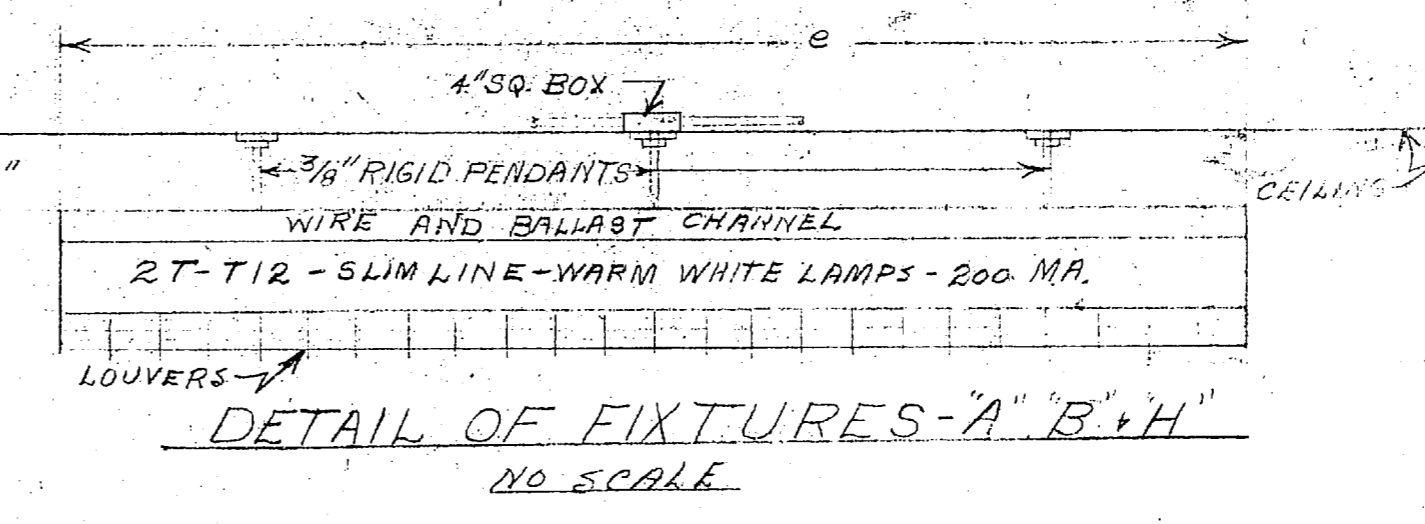
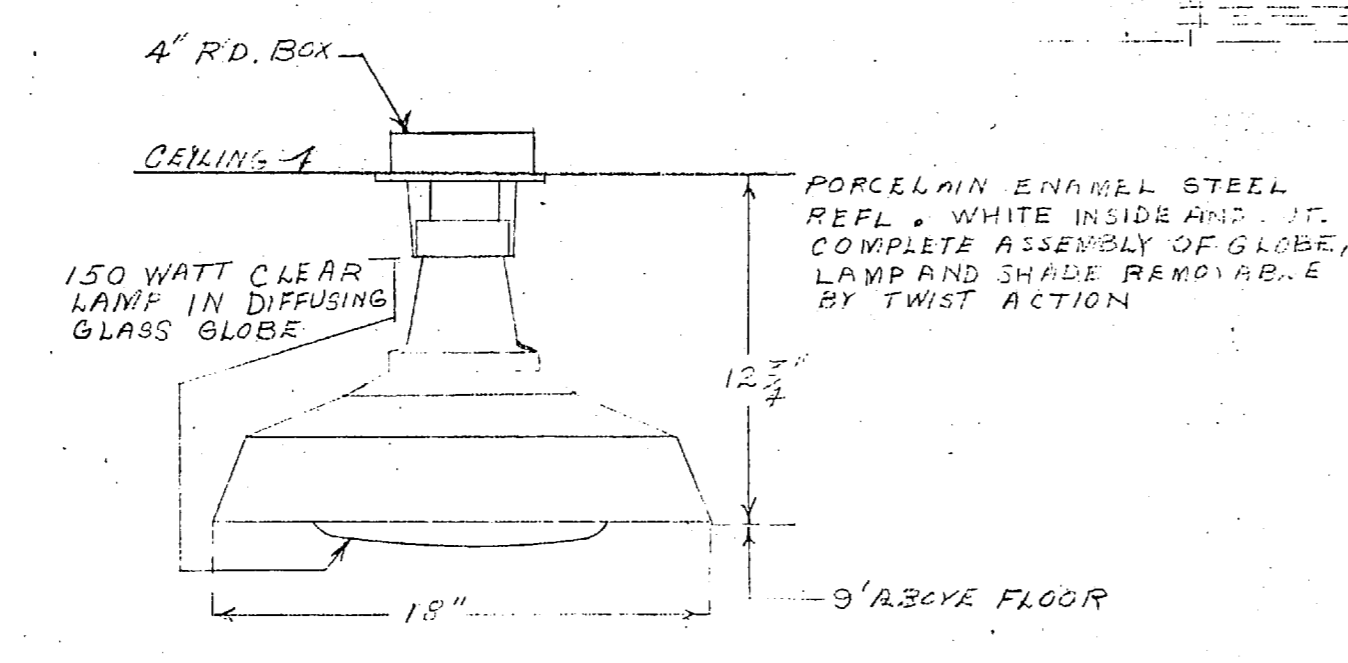


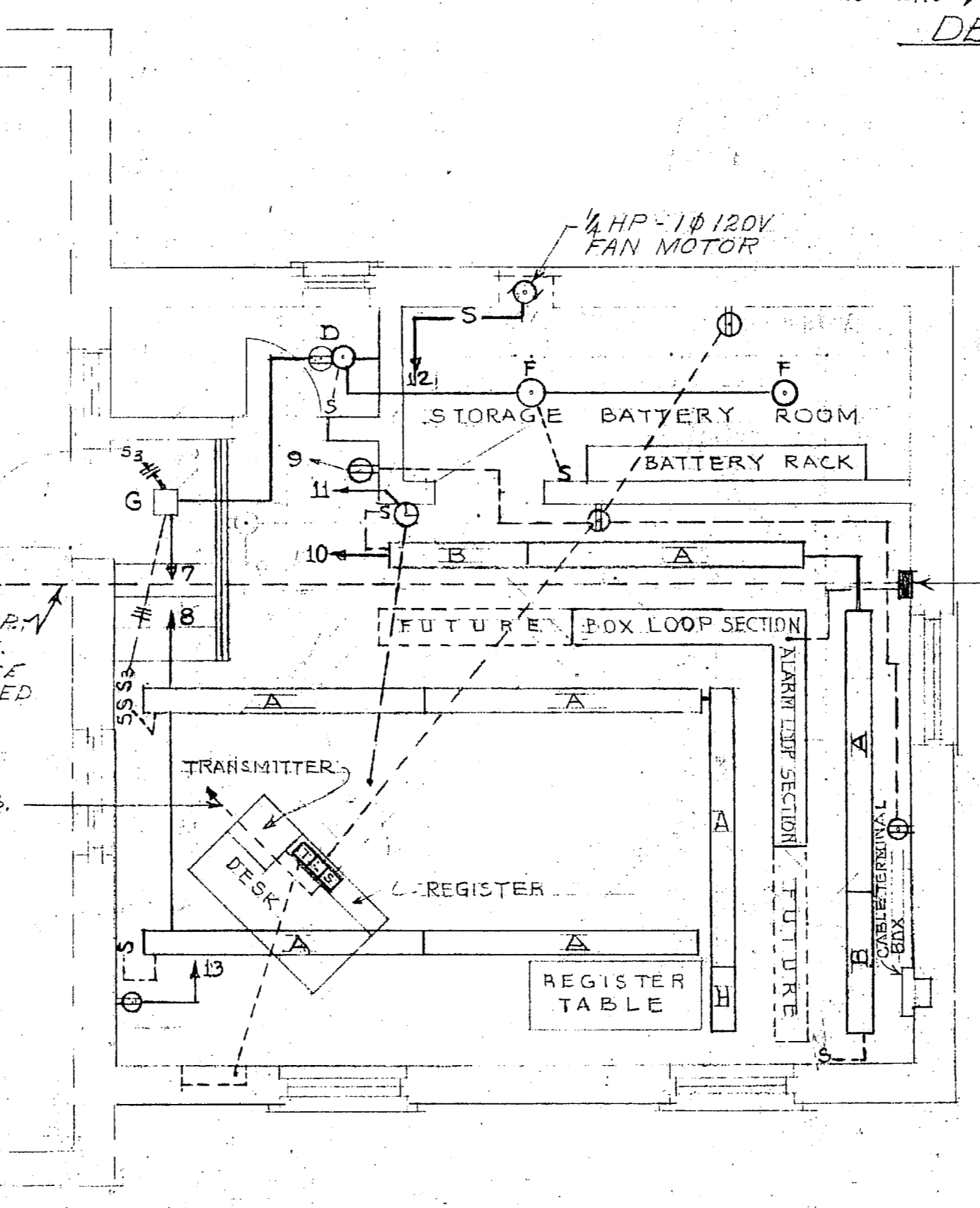
FIXTURE A' - DIMENSION 6" x 36"
 FIXTURE B' - DIMENSION 6" x 42"
 FIXTURE H' - DIMENSION 6" x 24"



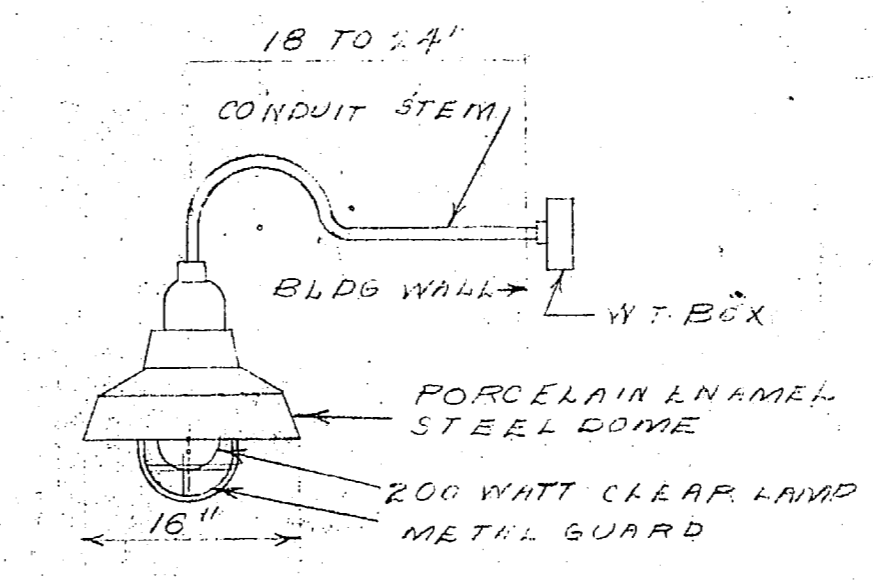
ELECTRIC FLOOR PLAN
 FIRST FLOOR
 SCALE 1/4" = 1'-0"



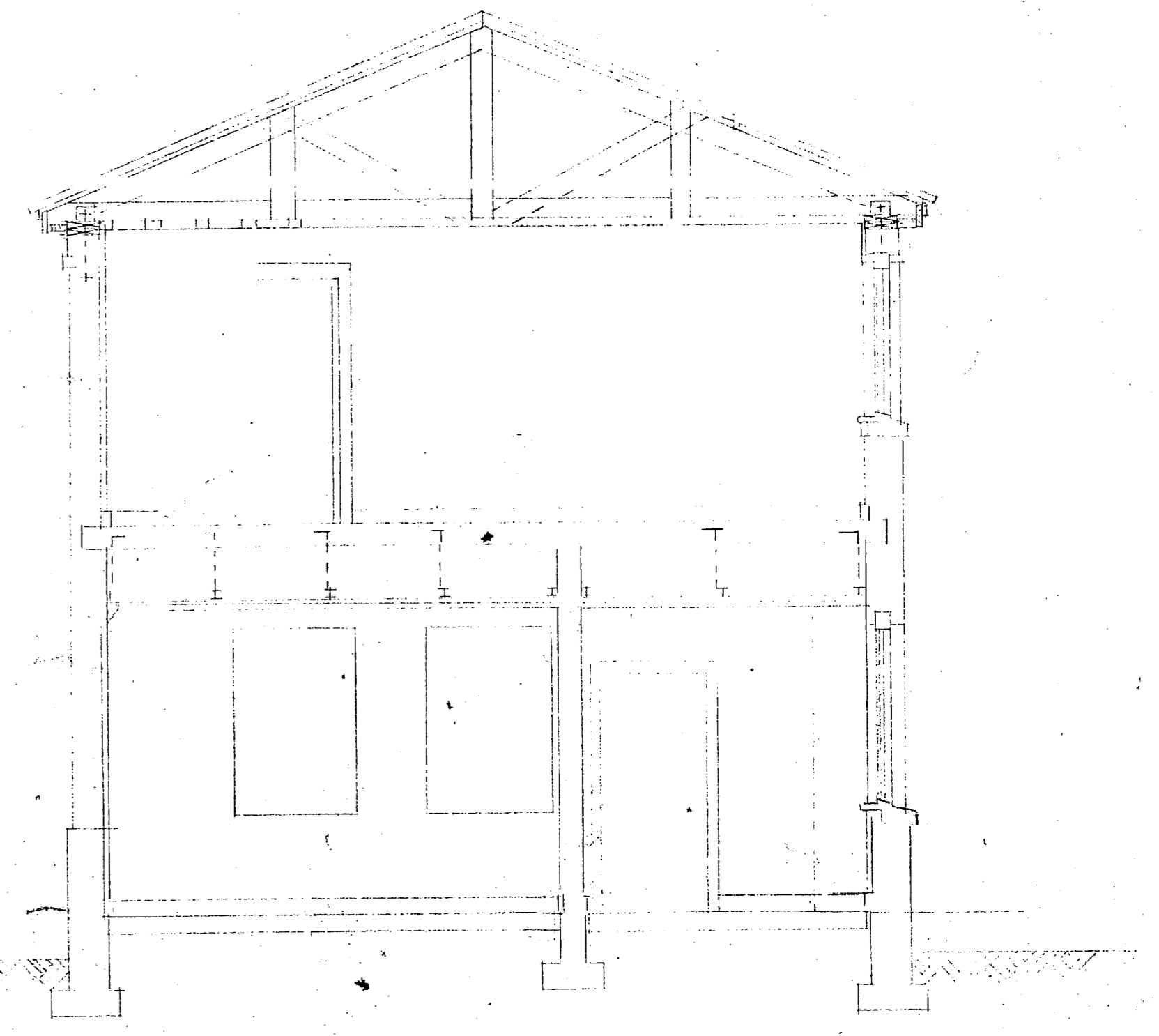
DETAIL OF FIXTURE "F"
 NO SCALE



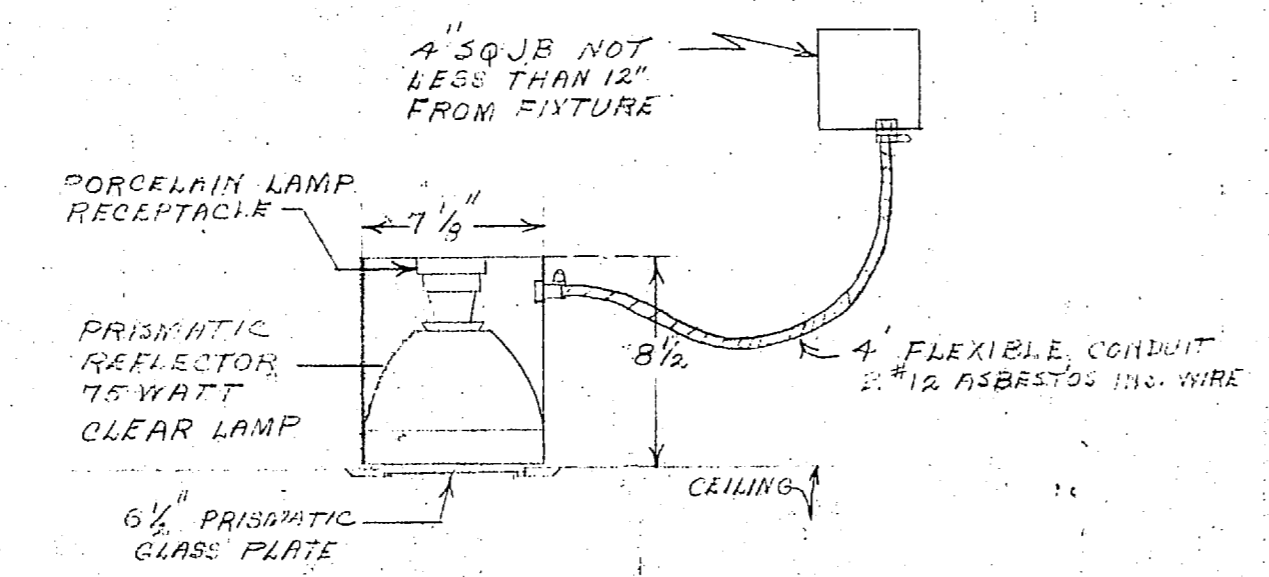
ELECTRIC FLOOR PLAN
 SECOND FLOOR
 SCALE 1/4" = 1'-0"



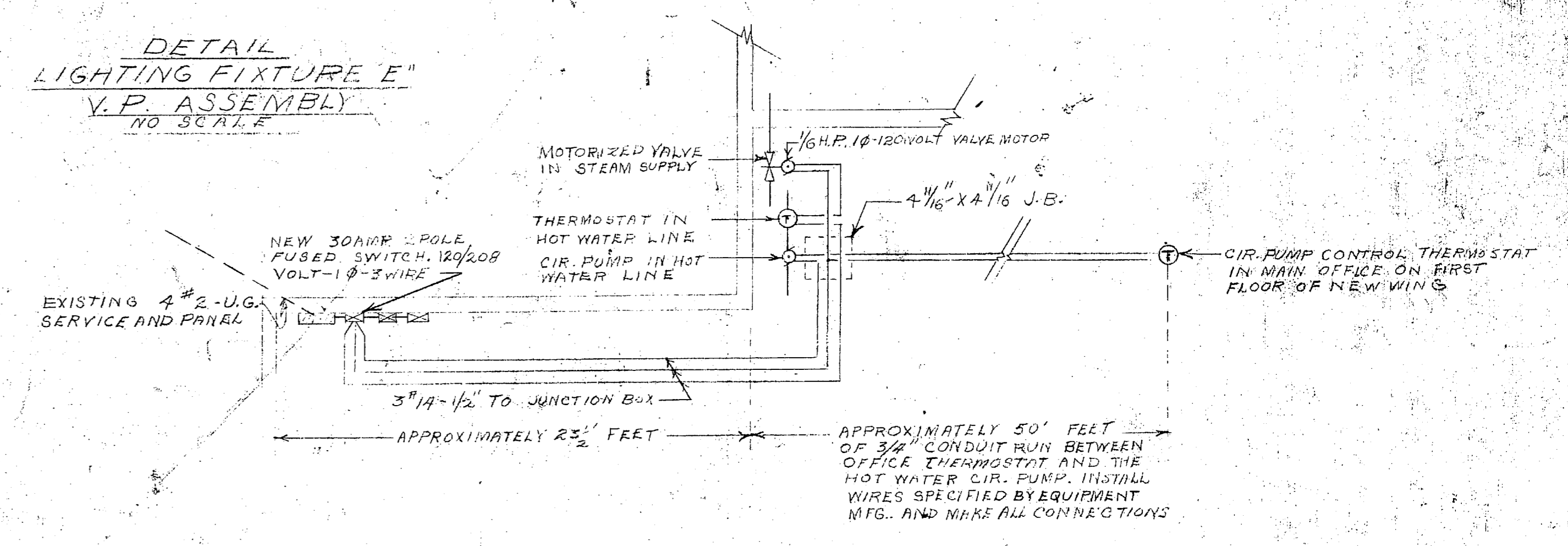
DETAIL LIGHTING FIXTURE "E"
 V.P. ASSEMBLY
 NO SCALE



SECTION THROUGH ADDITION
 SCALE 1/4" = 1'-0"

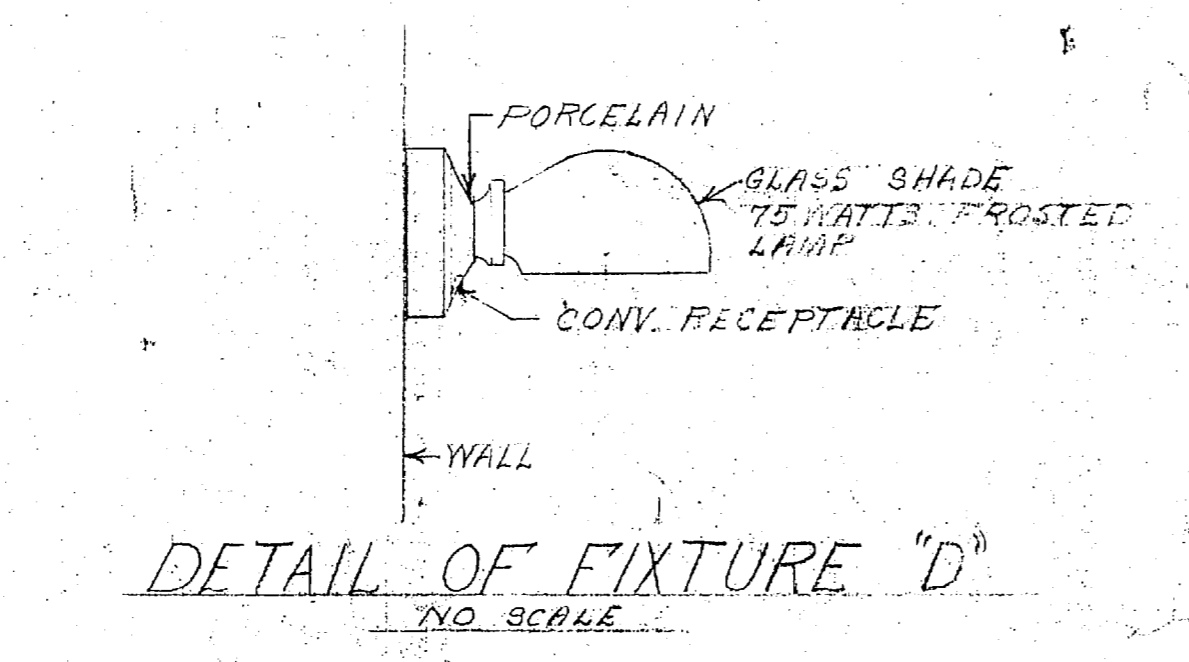


DETAIL OF FIXTURE "G"
 NO SCALE

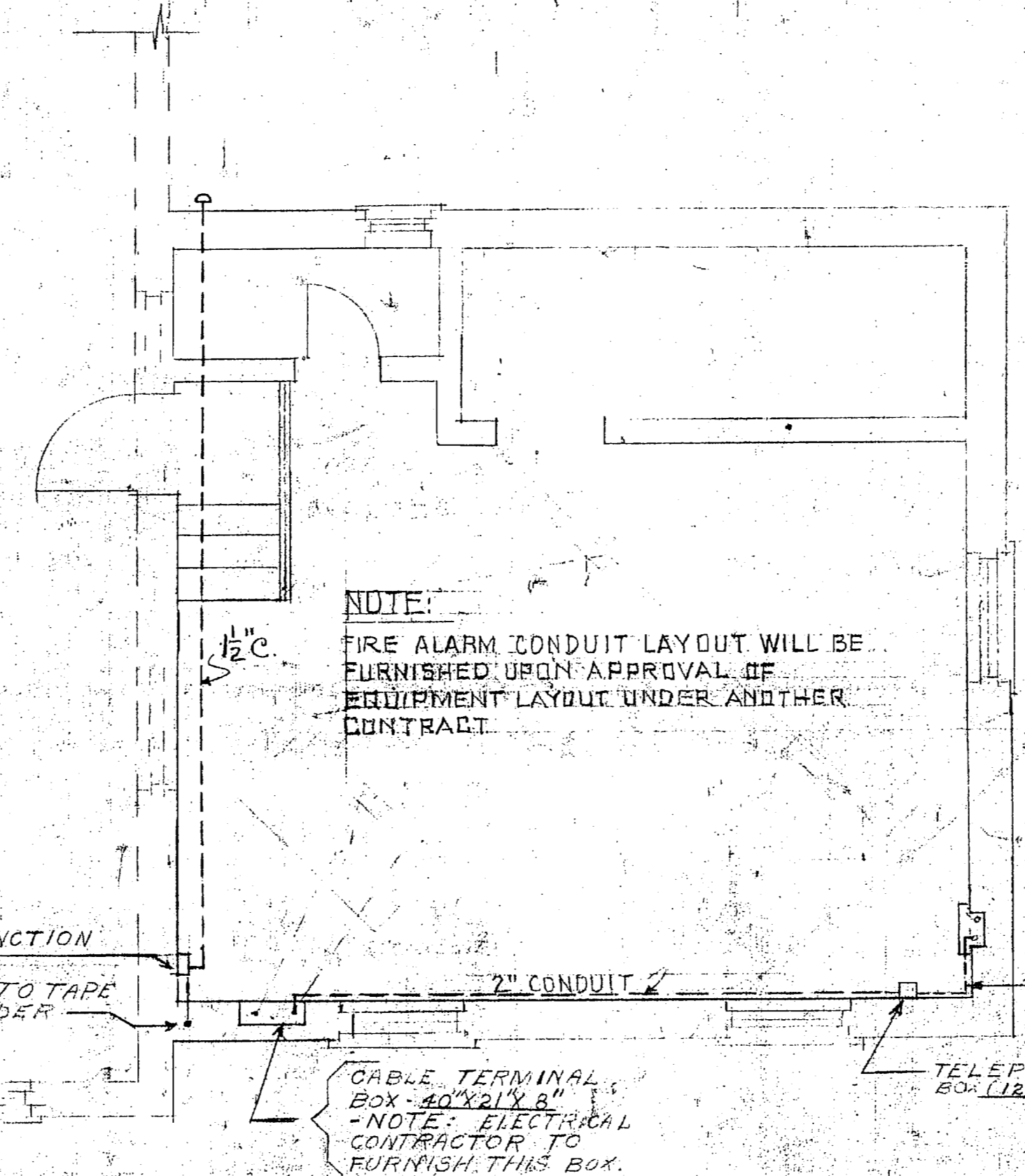


SCHEMATIC DIAGRAM OF HEAT CONTROL WIRING
 NO SCALE

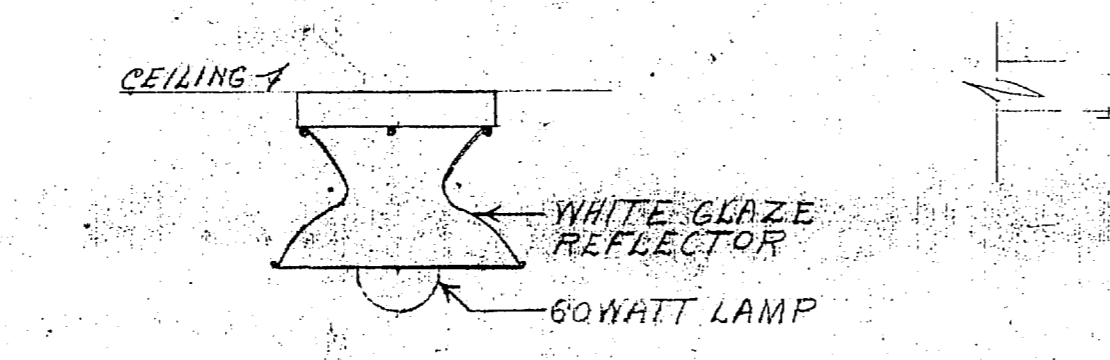
NOTE: THE ABOVE SCHEMATIC IS SHOWN TO INDICATE THE CHARACTER AND LOCATION OF THE HEAT CONTROL WIRING. EXACT DETAILS OF WIRING, W. AND TYPE OF W. SHALL BE IN ACCORDANCE WITH THE EQUIPMENT MANUFACTURERS DIAGRAM AND REQUIREMENTS.



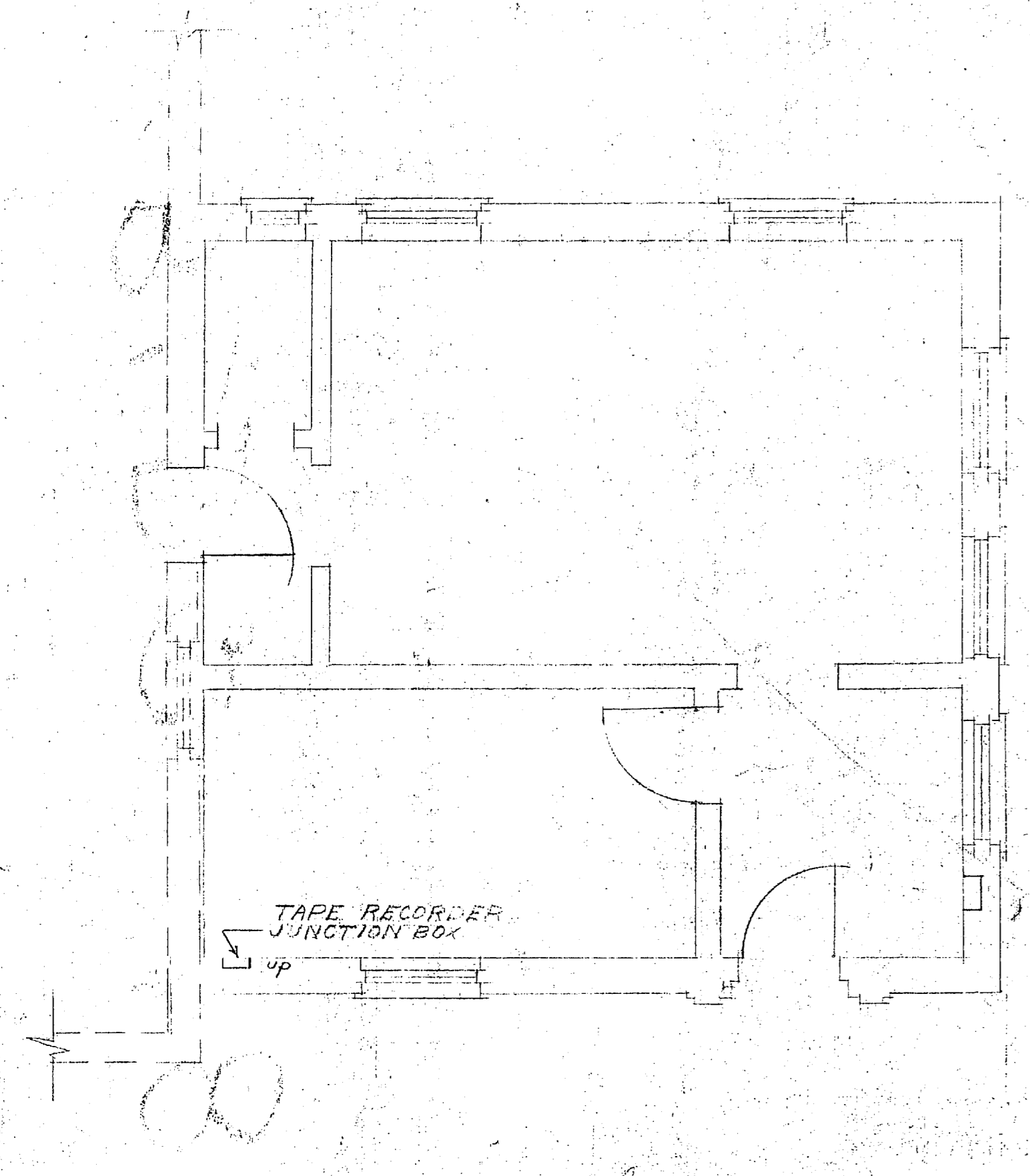
DETAIL OF FIXTURE "D"
 NO SCALE



FIRE ALARM CONDUIT PLAN
 SECOND FLOOR
 SCALE 1/4" = 1'-0"



DETAIL OF FIXTURE "C"
 NO SCALE



FIRE ALARM CONDUIT PLAN
 FIRST FLOOR
 SCALE 1/4" = 1'-0"

ELECTRIC SYMBOLS	
	OVER HEAD OUTLET AND LVS FIXTURE
	OUTSIDE BRACKET FIXTURE IN FOR PROOF
	LAMP RECEPTACLE
	FUSED SAFETY SWITCH AS MARKED
	EXPOSED WIRING IN CONDUIT OR AS NOTED
	JUNCTION BOX
	PANEL BOARD AS NOTED
	CONDUIT IN SLAB OR U.G.
	FLUORESCENT LIGHTING FIXTURE
	FLOOR TELEPHONE JUNCTION BOX
	WALL TELEPHONE JUNCTION BOX
	CLOCK OUTLET

REVISION	DATE	APPD.	DESCRIPTION	BY
B	8/30/51	AM	INSTALL FIRE ALARM CONDUIT, MOUNT ILLUMINATED P.	EMMS
A	8/30/51	AM	SECOND FLOOR REVISOR AND CHECKS ADDED TO	SHOW
P.W. DRAWING NO.		7942		
REVISION DATE		APPD.		
DESIGNER		DRAWN		
CHECKED		SUPERVISOR		
APPROVED		DATE		
IN CHARGE		PUBLIC WORKS OFFICER		
APPROVED		SCALE: 1/4" = 1'-0"		
DATE		SHEET 7 OF 7		
THE QUARTERMASTER GENERAL OF THE MARINE CORPS		SPEC: 26952		
		NOV 24 1951		
		Y.B.D. DRAWING NO. 486942		

BLDG 18