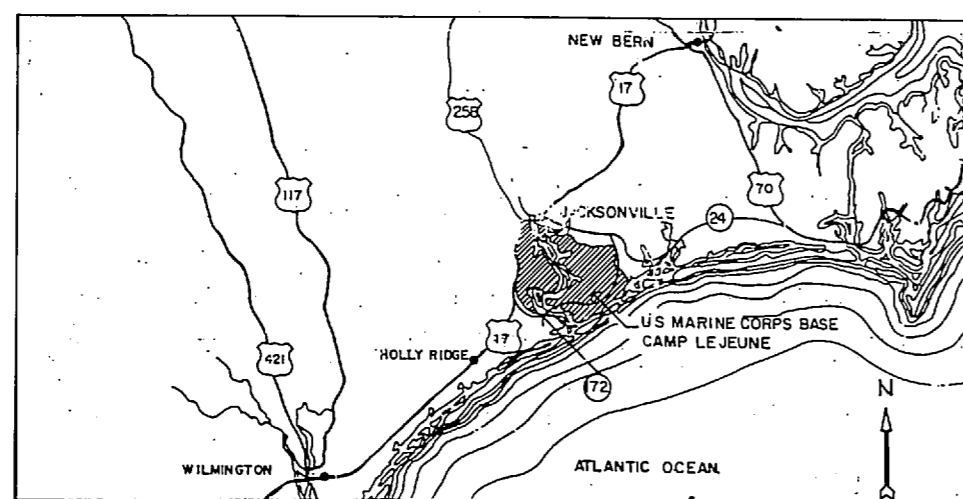


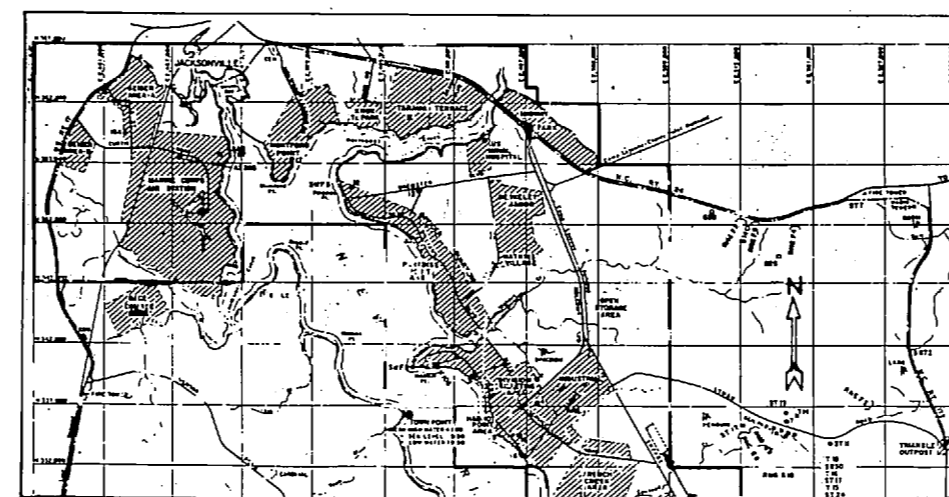
REVISIONS			
NO.	DESCRIPTION	DATE	APPROVED

# STRUCTURAL, ELECTRICAL AND MECHANICAL RENOVATIONS, BUILDINGS 119, 221, 421

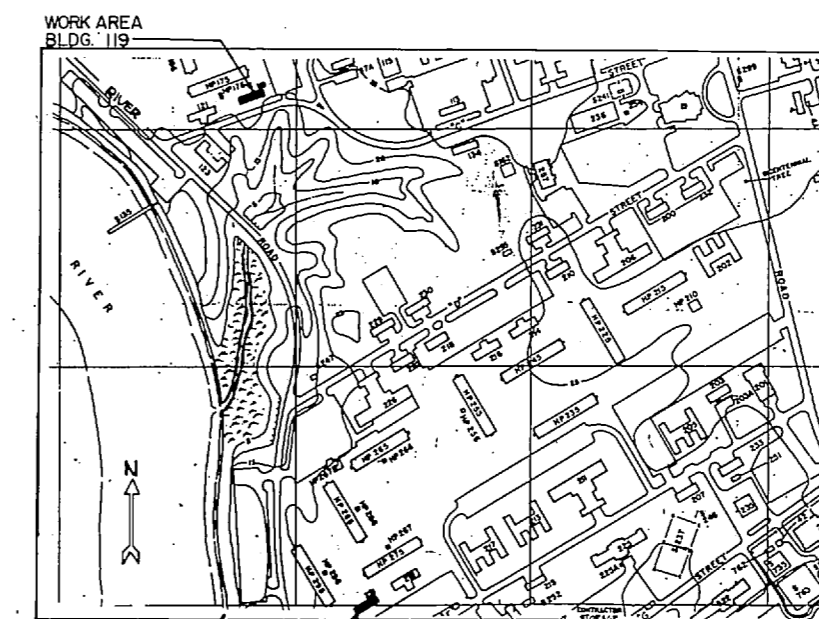
U. S. MARINE CORPS BASE, CAMP LEJEUNE, NORTH CAROLINA



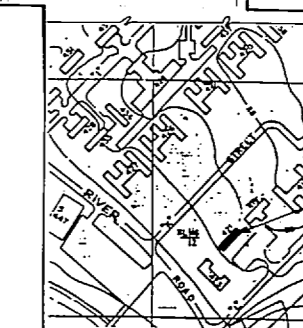
LOCATION MAP  
SCALE: 1"=13 MILES



VICINITY MAP  
SCALE: 1"=8000'



WORK AREA  
BLDG. 119



WORK AREA  
BLDG. 221

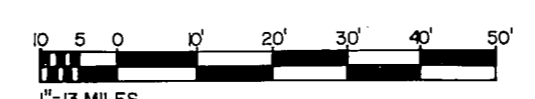
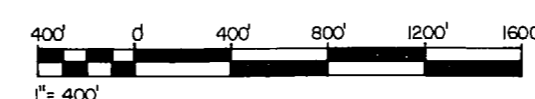
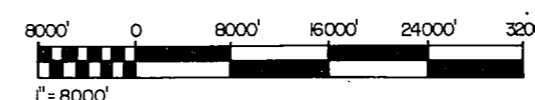


WORK AREA  
BLDG. 421

AREA MAP  
SCALE: 1"=400'

SCHEDULE OF DRAWINGS		
DRAWING NUMBER	NAVFAC NUMBER	SHEET TITLE
T-1	4152931	TITLE SHEET
A-1	4152932	FLOOR PLAN, NOTES, SCHEDULES
A-2	4152933	ELEVATION, WINDOW SCHEDULES
A-3	4152934	DETAILS
A-4	4152935	
P-1	4152936	PLUMBING - DEMOLITION - NEW
P-2	4152937	PLUMBING DETAILS
M-1	4152938	BLDG'S 119 AND 421 DEMO, NEW WORK AND DETAILS
M-2	4152939	BLDG. 221 - DEMO - BLDG'S 119, 221, 421 NEW WORK
M-3	4152940	BLDG'S 119, 221, 421 - STEAM PIT - DEMOLITION
E-1	4152941	SITE - BLDG 119
E-2	4152942	SITE - BLDG 221
E-3	4152943	SITE - BLDG 421
E-4	4152944	LEGEND AND SCHEDULE
E-5	4152945	DEMOLITION - BUILDING
E-6	4152946	NEW WORK - BLDGS 119, 221 AND 421

GRAPHIC SCALES

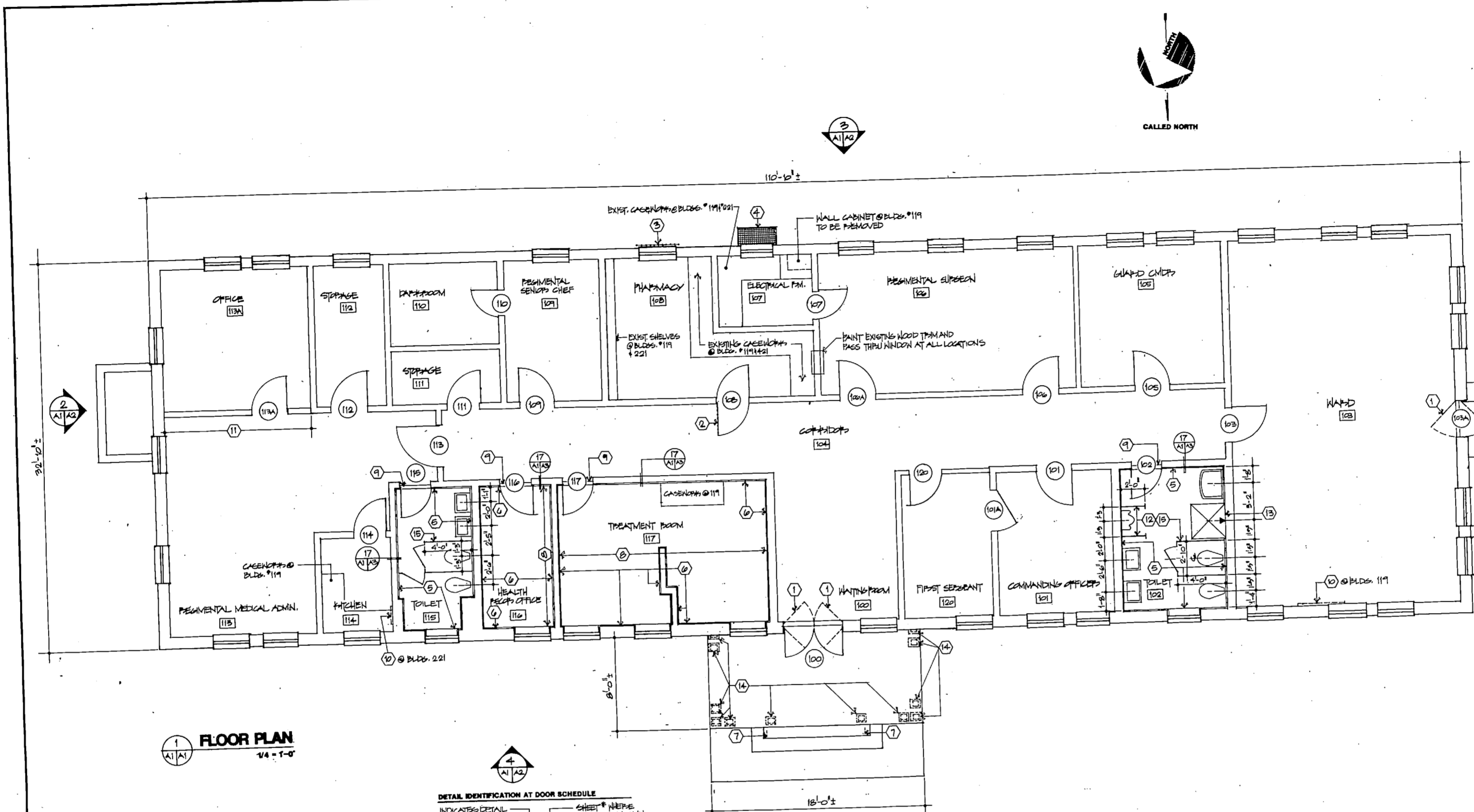


90% SUBMITTAL

MCKIM & CREED ENGINEERS P.A. 243 N. FRONT STREET WILMINGTON, NORTH CAROLINA		DEPARTMENT OF THE NAVY NAVAL FACILITIES ENGINEERING COMMAND <b>MARINE CORPS BASE</b> CAMP LEJEUNE, NORTH CAROLINA	
DR. T.F.C. DR. B.R.R. CNR. D.H.T. SUBMITTED BY: H.P. MCKIM JR. DESIGN DR. <i>[Signature]</i>		STRUCTURAL, ELECTRICAL AND MECHANICAL RENOVATIONS, BUILDINGS 119, 221, 421	
APPROVED: P.W. DE WCC <i>[Signature]</i> 6-16-87		TITLE SHEET	
DATE	SIZE	CODE IDENT. NO.	NAVFAC DRAWING NO.
6-16-87	F	80091	4152931
SATISFACTORY TO:	DATE	CONSTR. CONTR. NO. N32470-86-B-5438	SHEET 1 OF 16
		SCALE-NOTED	SPIC. 05-86-5438



REVISIONS			
NO.	DESCRIPTION	DATE	APPROVED



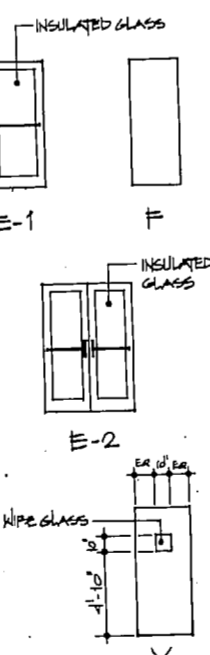
- NOTES**
- REMOVE EXISTING ENTRY DOORS, SCREEN DOORS, AND HANDWAPES, AND PROVIDE NEW ENTRY DOORS.
  - AT BUILDING 221, REMOVE EXISTING STEEL CASE AND RE-INSTALL ON NEW METAL DOORFRAMES.
  - REMOVE EXISTING STEEL CASES AND PROVIDE NEW SECURITY BARS AFTER INSTALLATION OF NEW WINDOW UNIT.
  - AT BLDG #221, REMOVE AND RE-INSTALL EXISTING SECURITY SCREEN AFTER INSTALLATION OF NEW WINDOW UNIT.
  - REMOVE EXISTING CERAMIC TILE WAINCOT AND BASE AND PROVIDE NEW CERAMIC TILE WAINCOT AND BASE TO MATCH EXIST. (4'-0" HIGH)
  - REMOVE EXISTING CERAMIC TILE WAINCOT AND BASE AND PATCH PLASTER TO MATCH PLASTER ABOVE WAINCOT.
  - REMOVE EXISTING METAL P-COLET AND GEND SMOOTHS WITH TOP OF CONCRETE TREAD.
  - REMOVE EXISTING RESILIENT FLOORING TILE AT BUILDING #221 AND USE TILE WIDTH MAXIMUM AT WALL LINE IN BUILDING #221.
  - PROVIDE NEW MARBLE SADDLE AT BUILDINGS #119 AND #221.
  - REMOVE PATCHED WALL PATCH AND PROVIDE PLASTER ON METAL LATH TO MATCH EXISTING WALL SURFACE - PATCH IS APPROXIMATELY 10 SQ. FT. IN SIZE.
  - PARTITION COLLIES AT BLDG #221 ONLY.
  - REMOVE EXISTING TOILET ROOM PARTITIONS IN ROOM 102 AT BUILDING #221.
  - SET SHOWERS SHALL MATCH NEW TILE HEIGHT.
  - REMOVE EXISTING WOOD COLUMNS AND PROVIDE NEW WOOD COLUMN - SEE 117.
  - PROVIDE NEW TOILET AND/OR URINAL PARTITIONS.

**FLOOR PLAN**  
1/4" = 1'-0"

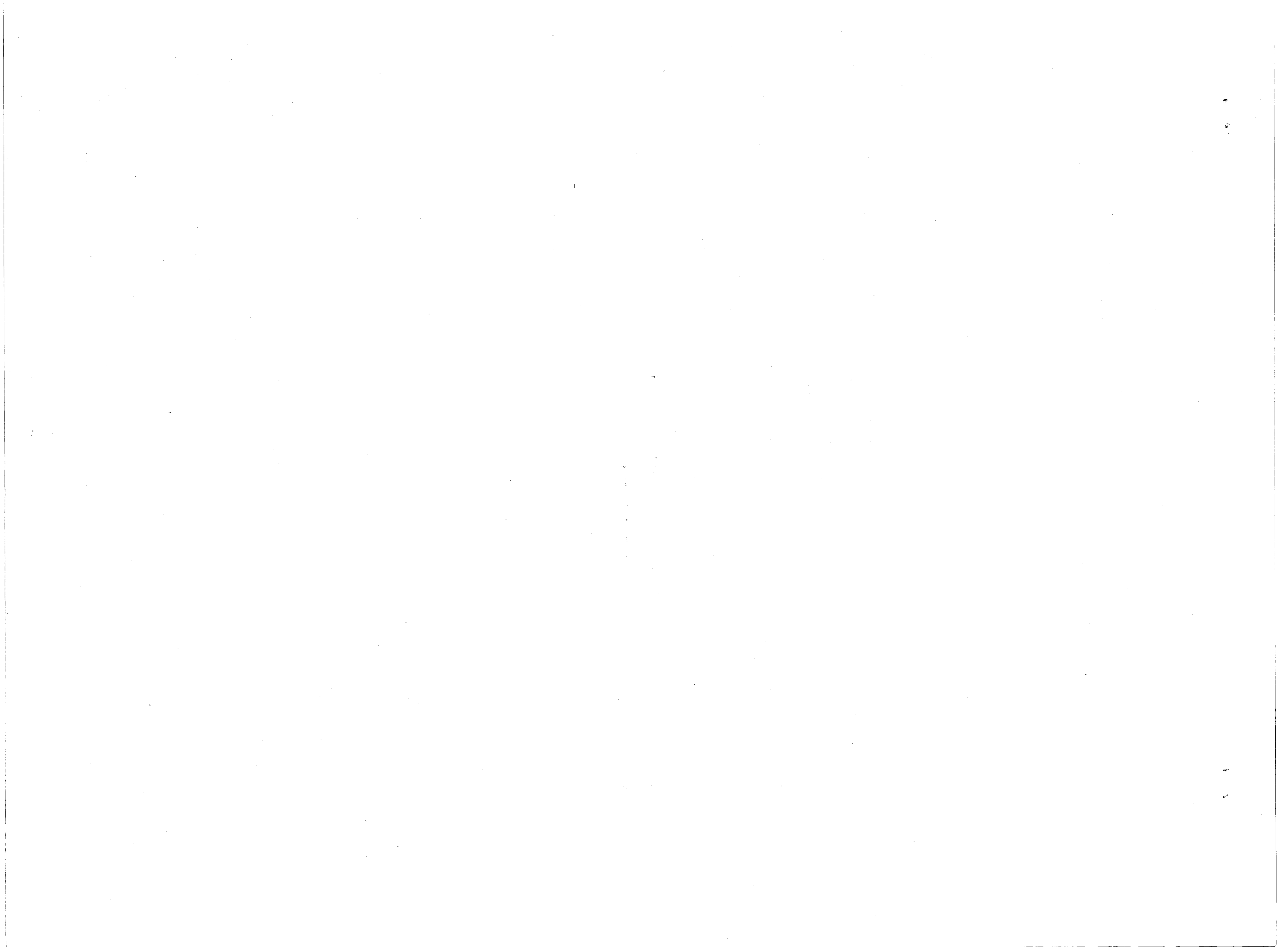
**DETAIL IDENTIFICATION AT DOOR SCHEDULE**  
INDICATES DETAIL SHEET # WHERE DETAIL IS DRAWN

NOTE: VERIFY ALL DOOR AND FRAME SIZES IN FIELD.

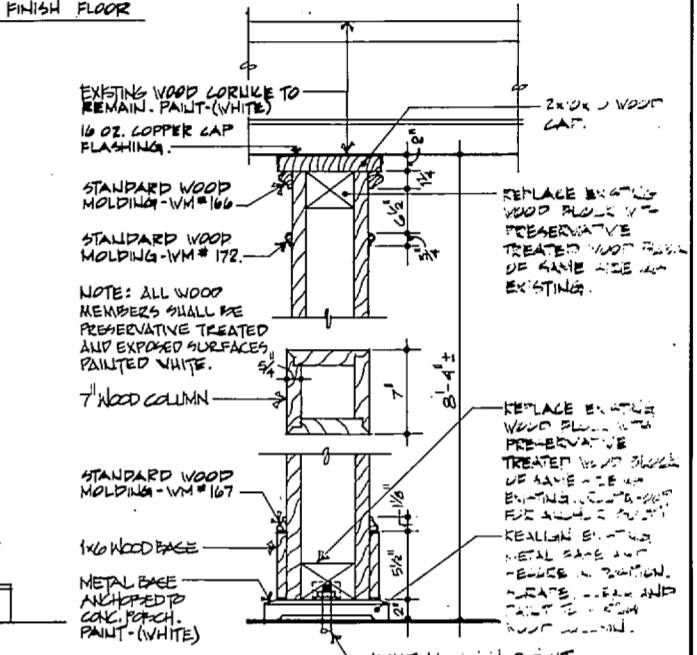
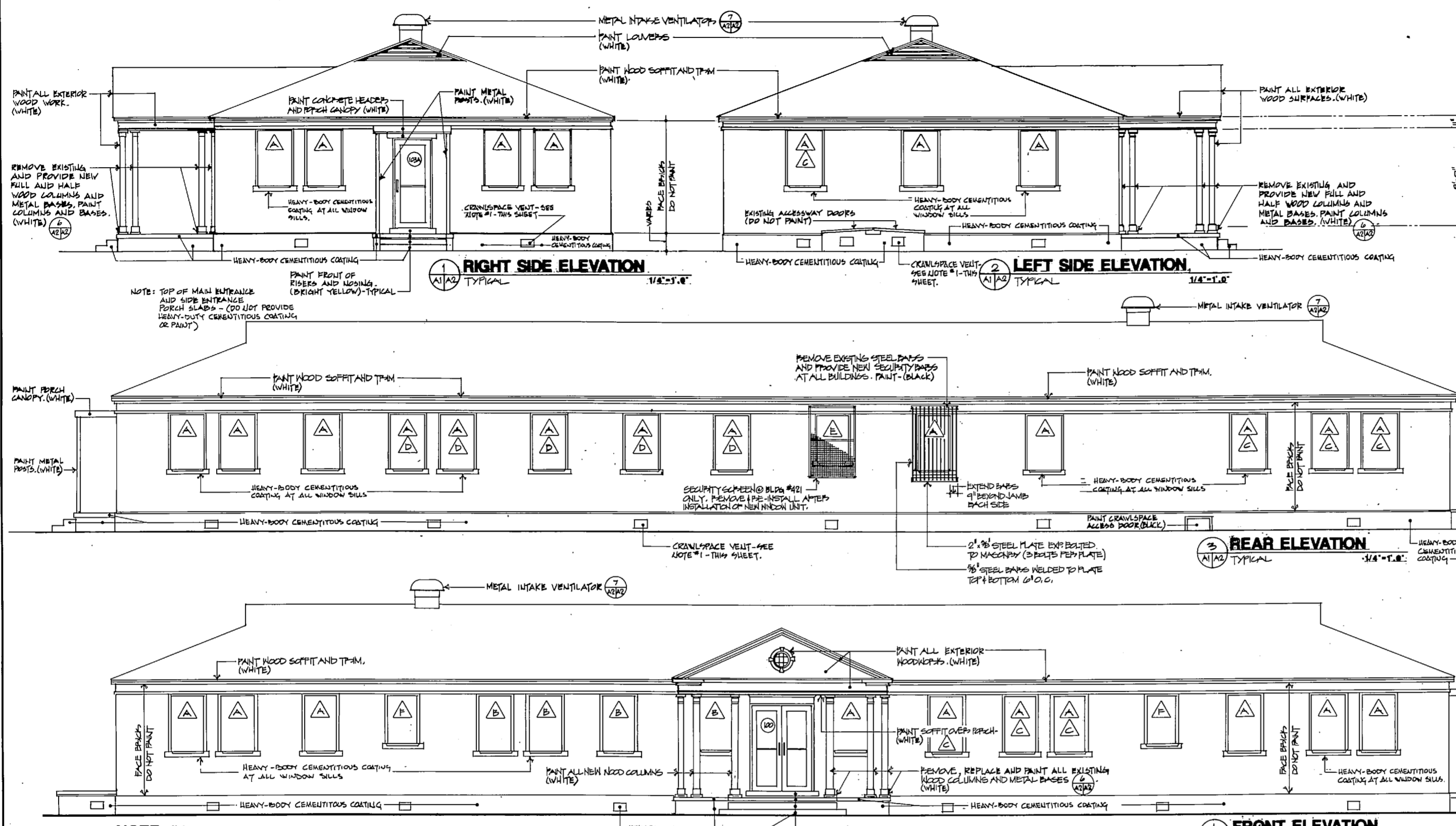
DOOR SCHEDULE													
DOOR NO.	Type	Width	Height	Glass	Material	Set#	DOOR FRAME - Details				LABEL	REMARKS	
							Head	Jamb	Sill	Stretcher			
100	E-2	2'-0"	7'-0"	1/4"	ALUM.	HK 7	9/AS	9/AS	9/AS	ALUM.	4 1/2"	10/AS	
101(a,b)	F	2'-0"	7'-0"	1/4"	WOOD	HK 2	10/AS	10/AS	10/AS	STEEL	6 3/8"		
101(c)	F	2'-0"	7'-0"	1/4"	WOOD	HK 2	14/AS	14/AS	14/AS	STEEL	7 1/4"		
102(a,b)	F	2'-0"	7'-0"	1/4"	WOOD	HK 3	10/AS	10/AS	10/AS	STEEL	6 3/8"		
102(c)	F	2'-0"	7'-0"	1/4"	WOOD	HK 3	10/AS	10/AS	10/AS	STEEL	6 3/8"		
102(d)	F	2'-0"	7'-0"	1/4"	WOOD	HK 3	9/AS	9/AS	9/AS	STEEL	6 3/8"		
102(e)	F	2'-0"	7'-0"	1/4"	WOOD	HK 3	10/AS	10/AS	10/AS	STEEL	6 3/8"		
102(f)	F	2'-0"	7'-0"	1/4"	WOOD	HK 3	10/AS	10/AS	10/AS	STEEL	6 3/8"		
102(g)	F	2'-0"	7'-0"	1/4"	WOOD	HK 2	10/AS	10/AS	10/AS	STEEL	6 3/8"		
102(h)	F	2'-0"	7'-0"	1/4"	WOOD	HK 2	10/AS	10/AS	10/AS	STEEL	6 3/8"		
102(i)	F	2'-0"	7'-0"	1/4"	WOOD	HK 2	10/AS	10/AS	10/AS	STEEL	6 3/8"		
102(j)	F	2'-0"	7'-0"	1/4"	WOOD	HK 2	10/AS	10/AS	10/AS	STEEL	6 3/8"		
102(k)	F	2'-0"	7'-0"	1/4"	WOOD	HK 2	10/AS	10/AS	10/AS	STEEL	6 3/8"		
102(l)	F	2'-0"	7'-0"	1/4"	WOOD	HK 2	10/AS	10/AS	10/AS	STEEL	6 3/8"		
102(m)	F	2'-0"	7'-0"	1/4"	WOOD	HK 2	10/AS	10/AS	10/AS	STEEL	6 3/8"		
102(n)	F	2'-0"	7'-0"	1/4"	WOOD	HK 2	10/AS	10/AS	10/AS	STEEL	6 3/8"		
102(o)	F	2'-0"	7'-0"	1/4"	WOOD	HK 2	10/AS	10/AS	10/AS	STEEL	6 3/8"		
102(p)	F	2'-0"	7'-0"	1/4"	WOOD	HK 2	10/AS	10/AS	10/AS	STEEL	6 3/8"		
102(q)	F	2'-0"	7'-0"	1/4"	WOOD	HK 2	10/AS	10/AS	10/AS	STEEL	6 3/8"		
102(r)	F	2'-0"	7'-0"	1/4"	WOOD	HK 2	10/AS	10/AS	10/AS	STEEL	6 3/8"		
102(s)	F	2'-0"	7'-0"	1/4"	WOOD	HK 2	10/AS	10/AS	10/AS	STEEL	6 3/8"		
102(t)	F	2'-0"	7'-0"	1/4"	WOOD	HK 2	10/AS	10/AS	10/AS	STEEL	6 3/8"		
102(u)	F	2'-0"	7'-0"	1/4"	WOOD	HK 2	10/AS	10/AS	10/AS	STEEL	6 3/8"		
102(v)	F	2'-0"	7'-0"	1/4"	WOOD	HK 2	10/AS	10/AS	10/AS	STEEL	6 3/8"		
102(w)	F	2'-0"	7'-0"	1/4"	WOOD	HK 2	10/AS	10/AS	10/AS	STEEL	6 3/8"		
102(x)	F	2'-0"	7'-0"	1/4"	WOOD	HK 2	10/AS	10/AS	10/AS	STEEL	6 3/8"		
102(y)	F	2'-0"	7'-0"	1/4"	WOOD	HK 2	10/AS	10/AS	10/AS	STEEL	6 3/8"		
102(z)	F	2'-0"	7'-0"	1/4"	WOOD	HK 2	10/AS	10/AS	10/AS	STEEL	6 3/8"		
103	E-1	3'-0"	7'-0"	1/4"	ALUM.	HK 6	9/AS	9/AS	9/AS	ALUM.	4 1/2"	10/AS	
103(a)	F	2'-0"	7'-0"	1/4"	WOOD	HK 2	10/AS	10/AS	10/AS	STEEL	6 3/8"		
103(b)	F	2'-0"	7'-0"	1/4"	WOOD	HK 2	10/AS	10/AS	10/AS	STEEL	6 3/8"		
103(c)	F	2'-0"	7'-0"	1/4"	WOOD	HK 2	10/AS	10/AS	10/AS	STEEL	6 3/8"		
103(d)	F	2'-0"	7'-0"	1/4"	WOOD	HK 2	10/AS	10/AS	10/AS	STEEL	6 3/8"		
103(e)	F	2'-0"	7'-0"	1/4"	WOOD	HK 2	10/AS	10/AS	10/AS	STEEL	6 3/8"		
103(f)	F	2'-0"	7'-0"	1/4"	WOOD	HK 2	10/AS	10/AS	10/AS	STEEL	6 3/8"		
103(g)	F	2'-0"	7'-0"	1/4"	WOOD	HK 2	10/AS	10/AS	10/AS	STEEL	6 3/8"		
103(h)	F	2'-0"	7'-0"	1/4"	WOOD	HK 2	10/AS	10/AS	10/AS	STEEL	6 3/8"		
103(i)	F	2'-0"	7'-0"	1/4"	WOOD	HK 2	10/AS	10/AS	10/AS	STEEL	6 3/8"		
103(j)	F	2'-0"	7'-0"	1/4"	WOOD	HK 2	10/AS	10/AS	10/AS	STEEL	6 3/8"		
103(k)	F	2'-0"	7'-0"	1/4"	WOOD	HK 2	10/AS	10/AS	10/AS	STEEL	6 3/8"		
103(l)	F	2'-0"	7'-0"	1/4"	WOOD	HK 2	10/AS	10/AS	10/AS	STEEL	6 3/8"		
103(m)	F	2'-0"	7'-0"	1/4"	WOOD	HK 2	10/AS	10/AS	10/AS	STEEL	6 3/8"		
103(n)	F	2'-0"	7'-0"	1/4"	WOOD	HK 2	10/AS	10/AS	10/AS	STEEL	6 3/8"		
103(o)	F	2'-0"	7'-0"	1/4"	WOOD	HK 2	10/AS	10/AS	10/AS	STEEL	6 3/8"		
103(p)	F	2'-0"	7'-0"	1/4"	WOOD	HK 2	10/AS	10/AS	10/AS	STEEL	6 3/8"		
103(q)	F	2'-0"	7'-0"	1/4"	WOOD	HK 2	10/AS	10/AS	10/AS	STEEL	6 3/8"		
103(r)	F	2'-0"	7'-0"	1/4"	WOOD	HK 2	10/AS	10/AS	10/AS	STEEL	6 3/8"		
103(s)	F	2'-0"	7'-0"	1/4"	WOOD	HK 2	10/AS	10/AS	10/AS	STEEL	6 3/8"		
103(t)	F	2'-0"	7'-0"	1/4"	WOOD	HK 2	10/AS	10/AS	10/AS	STEEL	6 3/8"		
103(u)	F	2'-0"	7'-0"	1/4"	WOOD	HK 2	10/AS	10/AS	10/AS	STEEL	6 3/8"		
103(v)	F	2'-0"	7'-0"	1/4"	WOOD	HK 2	10/AS	10/AS	10/AS	STEEL	6 3/8"		
103(w)	F	2'-0"	7'-0"	1/4"	WOOD	HK 2	10/AS	10/AS	10/AS	STEEL	6 3/8"		
103(x)	F	2'-0"	7'-0"	1/4"	WOOD	HK 2	10/AS	10/AS	10/AS	STEEL	6 3/8"		
103(y)	F	2'-0"	7'-0"	1/4"	WOOD	HK 2	10/AS	10/AS	10/AS	STEEL	6 3/8"		
103(z)	F	2'-0"	7'-0"	1/4"	WOOD	HK 2	10/AS	10/AS	10/AS	STEEL	6 3/8"		
104	V	3'-0"	7'-0"	1/4"	WOOD	HK 3	10/AS	10/AS	10/AS	STEEL	6 3/8"		
104(a)	F	2'-0"	7'-0"	1/4"	WOOD	HK 2	10/AS	10/AS	10/AS	STEEL	6 3/8"		
104(b)	F	2'-0"	7'-0"	1/4"	WOOD	HK 2	10/AS	10/AS	10/AS	STEEL	6 3/8"		
104(c)	F	2'-0"	7'-0"	1/4"	WOOD	HK 2	10/AS	10/AS	10/AS	STEEL	6 3/8"		
104(d)	F	2'-0"	7'-0"	1/4"	WOOD	HK 2	10/AS	10/AS	10/AS	STEEL	6 3/8"		
104(e)	F	2'-0"	7'-0"	1/4"	WOOD	HK 2	10/AS	10/AS	10/AS	STEEL	6 3/8"		
104(f)	F	2'-0"	7'-0"	1/4"	WOOD	HK 2	10/AS	10/AS	10/AS	STEEL	6 3/8"		
104(g)	F	2'-0"	7'-0"	1/4"	WOOD	HK 2	10/AS	10/AS	10/AS	STEEL	6 3/8"		
104(h)	F	2'-0"	7'-0"	1/4"	WOOD	HK 2	10/AS	10/AS	10/AS	STEEL	6 3/8"		
104(i)	F	2'-0"	7'-0"	1/4"	WOOD	HK 2	10/AS	10/AS	10/AS	STEEL	6 3/8"		
104(j)	F	2'-0"	7'-0"	1/4"	WOOD	HK 2	10/AS	10/AS	10/AS	STEEL	6 3/8"		
104(k)	F	2'-0"	7'-0"	1/4"	WOOD	HK 2	10/AS	10/AS	10/AS	STEEL	6 3/8"		
104(l)	F	2'-0"	7'-0"	1/4"	WOOD	HK 2	10/AS	10/AS	10/AS	STEEL	6 3/8"		
104(m)	F	2'-0"	7'-0"	1/4"	WOOD	HK 2	10/AS	10/AS	10/AS	STEEL	6 3/8"		
104(n)	F	2'-0"	7'-0"	1/4"	WOOD	HK 2	10/AS	10/AS	10/AS	STEEL	6 3/8"		
104(o)	F	2'-0"	7'-0"	1/4"	WOOD	HK 2	10/AS	10/AS	10/AS	STEEL	6 3/8"		
104(p)	F	2'-0"	7'-0"	1/4"	WOOD	HK 2	10/AS	10/AS	10/AS	STEEL	6 3/8"		
104(q)	F	2'-0"	7'-0"	1/4"	WOOD	HK 2	10/AS	10/AS	10/AS	STEEL	6 3/8"		
104(r)	F	2'-0"	7'-0"	1/4"	WOOD	HK 2	10/AS	10/AS	10/AS	STEEL	6 3/8"		
104(s)	F	2'-0"	7'-0"	1/4"	WOOD	HK 2	10/AS	10/AS	10/AS	STEEL	6 3/8"		
104(t)	F	2'-0"	7'-0"	1/4"	WOOD	HK 2	10/AS	10/AS	10/AS	STEEL	6 3/8"		
104(u)	F	2'-0"	7'-0"	1/4"	WOOD	HK 2	10/AS	10/AS	10/AS	STEEL	6 3/8"		
104(v)	F	2'-0"	7'-0"	1/4"	WOOD	HK 2	10/AS	10/AS	10/AS	STEEL	6 3/8"		
104(w)	F	2'-0"	7'-0"	1/4"	WOOD	HK 2	10/AS	10/AS	10/AS	STEEL	6 3/8"		
104(x)	F	2'-0"	7'-0"	1/4"	WOOD	HK 2	10/AS	10/AS	10/AS	STEEL	6 3/8"		
104(y)	F	2'-0"	7'-0"	1/4"	WOOD	HK 2	10/AS	10/AS	10/AS	STEEL	6 3/8"		
104(z)	F	2'-0"	7'-0"	1/4"	WOOD	HK 2	10/AS	10/AS	10/AS	STEEL	6 3/8"		
105	F	2'-0"	7'-0"	1/4"	WOOD	HK 1	B/AS	B/AS	B/AS	STEEL	4 3/8"		
105(a)	F	2'-0"	7'-0"	1/4"	WOOD	HK 1	B/AS	B/AS	B/AS	STEEL	4 3/8"		
105(b)	F	2'-0"	7'-0"	1/4"	WOOD	HK 1	B/AS	B/AS	B/AS	STEEL	4 3/8"		



FINISH AND COLOR SCHEDULE																				
ROOM NO.	ROOM NAME	FLOOR BASE			N WALL			E WALL			S WALL			W WALL			CEILING			REMARKS
		Fin	Mat	Ph	Fin	Mat	Ph	Fin	Mat	Ph	Fin	Mat	Ph	Fin	Mat	Ph	Fin	Mat	Ph	
100	WAITING ROOM	VT 1	PT 4	EX 1	PT 1	EX 1	PT 1	EX 1	PT 1	EX 1	PT 1	EX 1	PT 1	EX 1	PT 1	EX 1	PT 1	EX 1	PT 2	BL 11
101(a,b)																				



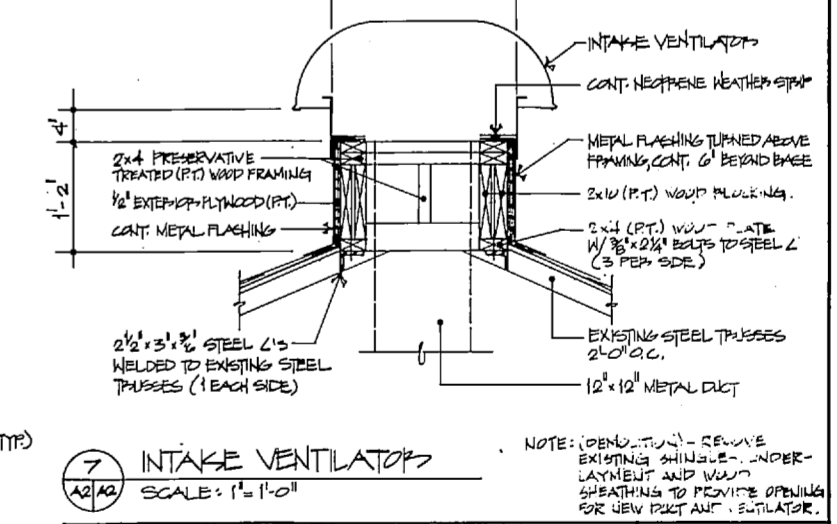
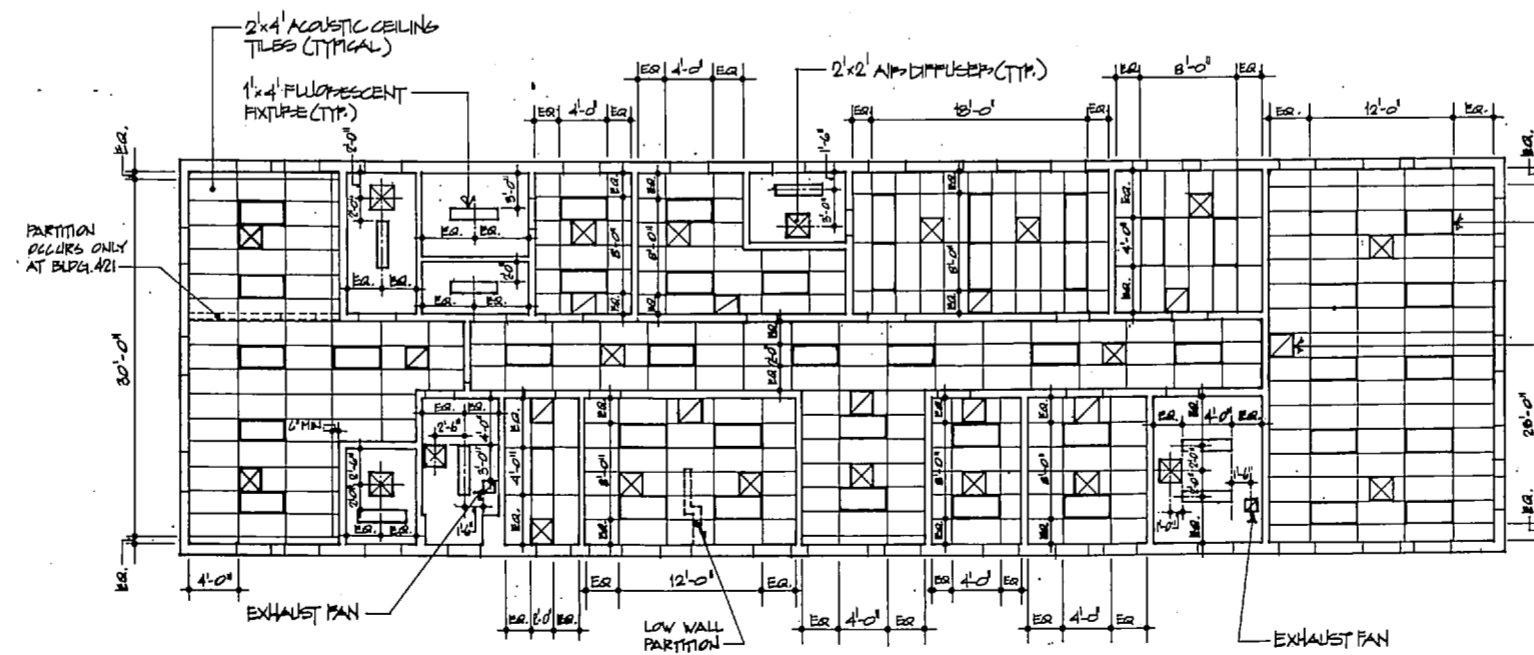
REVISIONS			
SYM.	DESCRIPTION	DATE	APPROVED



**NOTE #1**  
**CRAWLSPACE VENTS:**  
 AT ALL CRAWLSPACE VENT LOCATIONS, REMOVE EXISTING CRAWLSPACE VENT AND MOZLAR. PROVIDE NEW THERMOSTATIC CONTROLLED CRAWLSPACE VENT EQUAL TO WITTTEL, ENERGY-SAVING, AUTOMATIC FOUNDATIONAL VENT (CLOSED AT 40° AND OPENS AT 70°). FRAME AND FACE GRILLE SHALL BE BLACK. LAMER BLADES SHALL BE MILL FINISH.

WINDOW SCHEDULE											
MARK	TYPE	HEIGHT	WIDTH	MAT	DEMO	HEAD	DEMO	JAMB	DEMO	SILL	REMARKS
A	SINGLE HING	4'-0 3/8"	3'-1 1/2"	ALUM	1	6	3	B	2	7	1 & 7
B	SINGLE HING	4'-0 3/8"	3'-1 1/2"	ALUM	1	6	3	B	2	7	2 & 7
C	SINGLE HING	4'-0 3/8"	3'-1 1/2"	ALUM	13	10	21	22	20	19	3, 5 & 7
D	SINGLE HING	4'-0 3/8"	3'-1 1/2"	ALUM	1	6	21	22	20	19	4, 6 & 7
E	SINGLE HING	4'-0 3/8"	3'-1 1/2"	ALUM	1	6	3	B	2	7	1 & 7
F	SINGLE HING	4'-0 3/8"	3'-1 1/2"	ALUM	1	6	3	B	2	7	2 & 7

- REMARKS:**
1. PLASTER INTERIOR WALL
  2. CERAMIC TILE AND PLASTER INTERIOR WALL
  3. WOOD PAINTING INTERIOR WALL
  4. WOOD PAINTING AND PLASTER INTERIOR WALL
  5. OCCURS AT BUILDING # 451 ONLY.
  6. OCCURS AT BUILDING # 119 ONLY.
  7. VERIFY EXACT HEIGHT AND WIDTH OF EACH WINDOW UNIT IN FIELD.

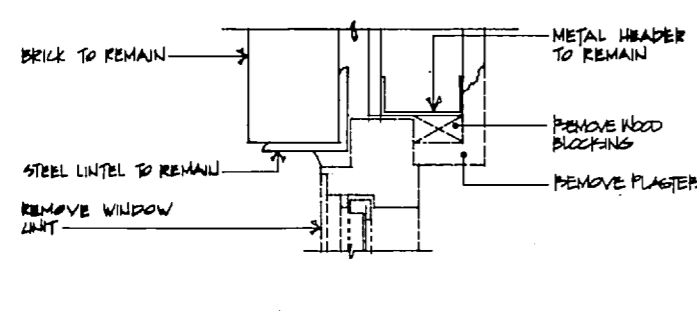


**A2**

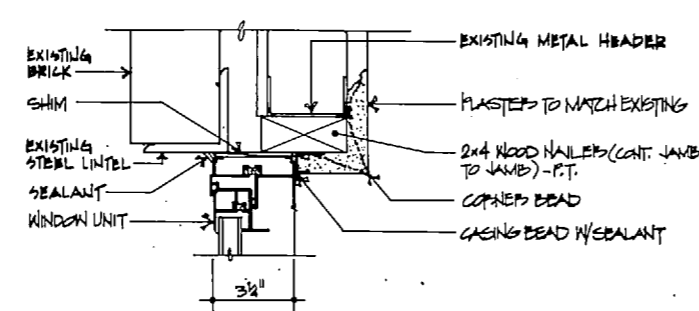
EARL ASHER APPLIGATE P.O. BOX 399 ARCHITECT NEW BERN, N.C. 28560		DEPARTMENT OF THE NAVY NAVAL FACILITIES ENGINEERING COMMAND <b>MARINE CORPS BASE</b> CAMP LEJEUNE, NORTH CAROLINA	
DESIGNER: EAA DR. JMA/JR/BAL CHK. MEL SUBMITTED BY: DESIGN OR: JEL APPROVED: PWO ON OICC DATE: 6-16-87		RENOV. BLDGS: 119, 221 & 421 ELEVATIONS, WINDOW SCHEDULE	
SIZE: F	CODE IDENT. NO.: 80091	NAVAC DRAWING NO.: 4152933	CONSTR. CONTR. NO.: 882470-88-8438
SATISFACTORY TO:	DATE:	SCALE: NOTER	SPEC: 06-86-8438 SHEET 3 OF 16



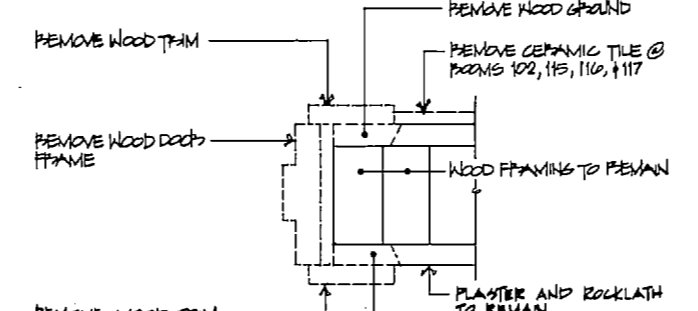
REVISIONS			
SYM.	DESCRIPTION	DATE	APPROVED



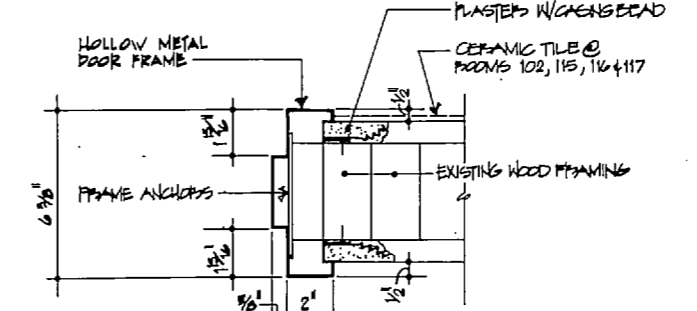
1 HEAD (DEMOLITION)  
A2/A3 SCALE: 3/8"=1'-0"



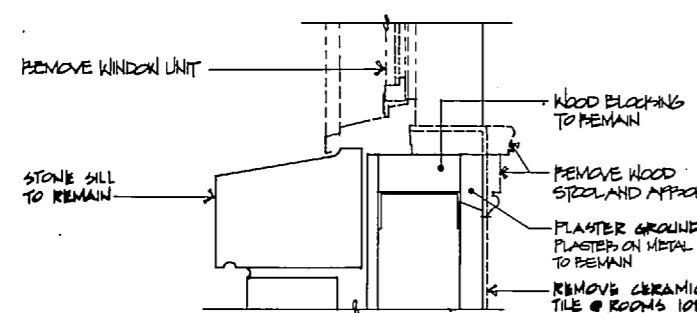
6 HEAD (CONSTRUCTION) SEE 1 FOR DEMO.  
A2/A3 SCALE: 3/8"=1'-0"



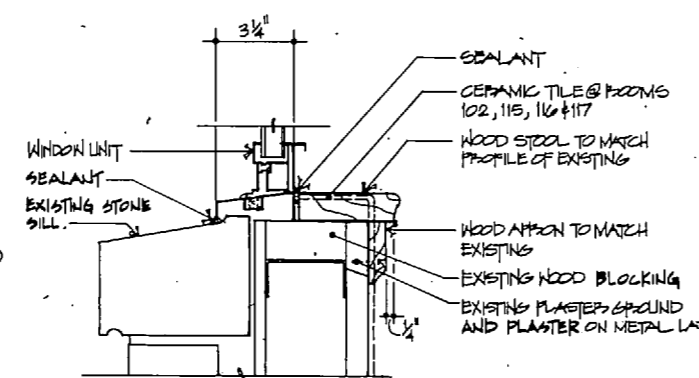
11 INTERFLOOR DEEP JAMB/HEAD SIMILAR (DEMOLITION)  
A2/A3 SCALE: 3/8"=1'-0"



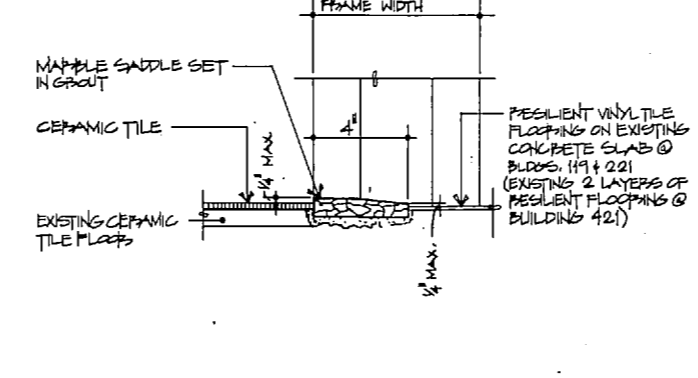
16 INTERFLOOR DEEP JAMB/HEAD SIMILAR (CONSTRUCTION) SEE 1 FOR DEMO.  
A2/A3 SCALE: 3/8"=1'-0"



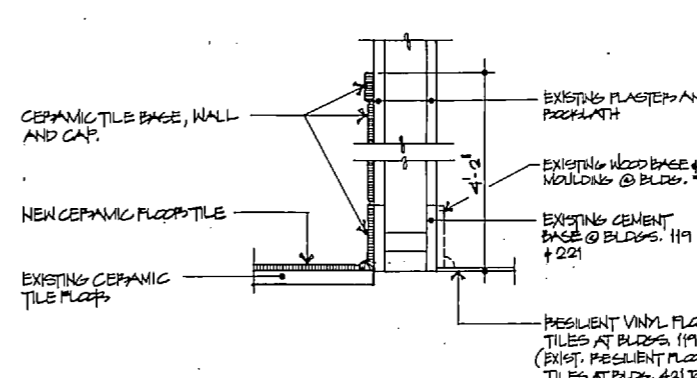
2 SILL (DEMOLITION)  
A2/A3 SCALE: 3/8"=1'-0"



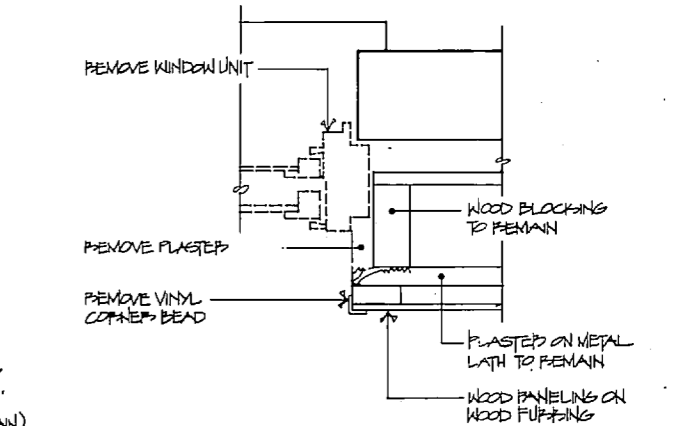
7 SILL (CONSTRUCTION) SEE 2 FOR DEMO.  
A2/A3 SCALE: 3/8"=1'-0"



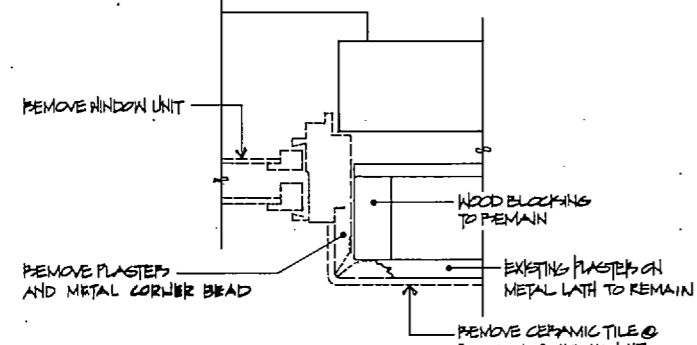
12 SILL (CONSTRUCTION)  
A2/A3 SCALE: 3/8"=1'-0"



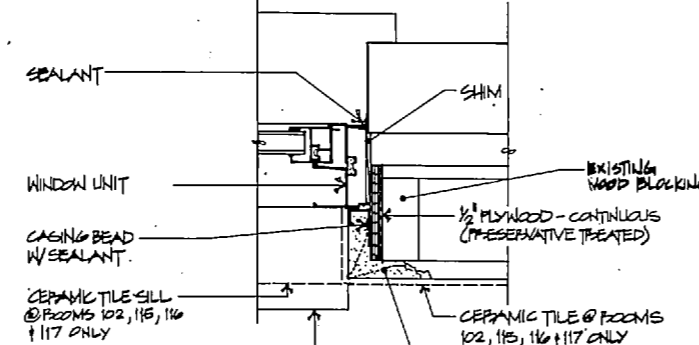
17 WALL SECTION (CONSTRUCTION)  
A2/A3 SCALE: 1 1/2"=1'-0"



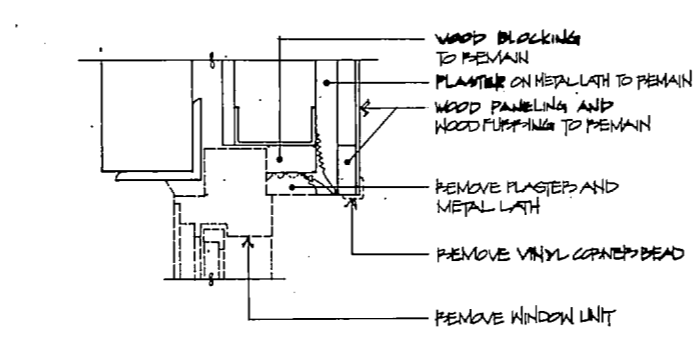
21 JAMB (DEMOLITION)  
A2/A3 SCALE: 3/8"=1'-0"



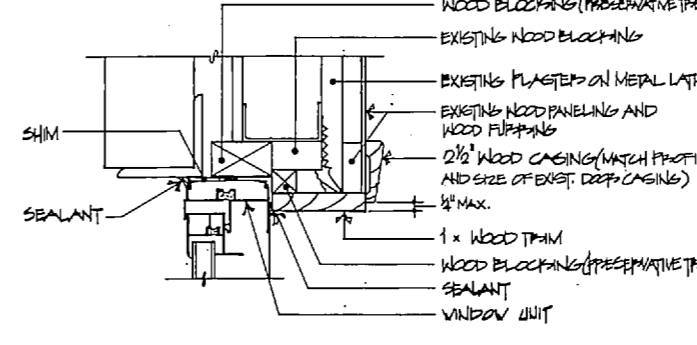
3 JAMB (DEMOLITION)  
A2/A3 SCALE: 3/8"=1'-0"



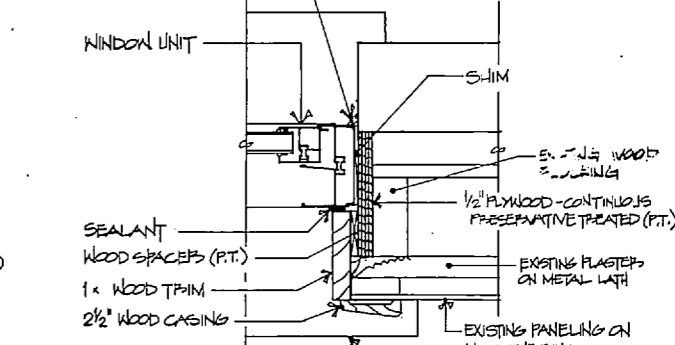
8 JAMB (CONSTRUCTION) SEE 3 FOR DEMO.  
A2/A3 SCALE: 3/8"=1'-0"



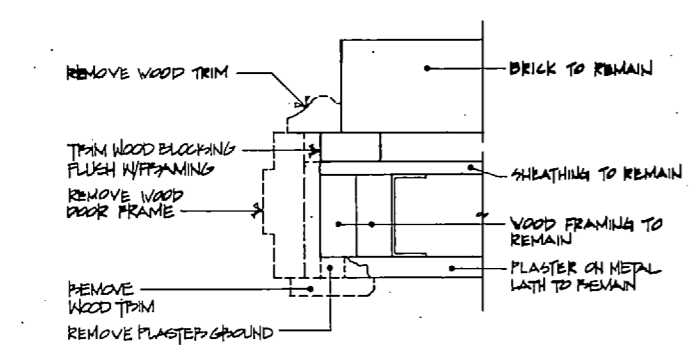
13 HEAD (DEMOLITION)  
A2/A3 SCALE: 3/8"=1'-0"



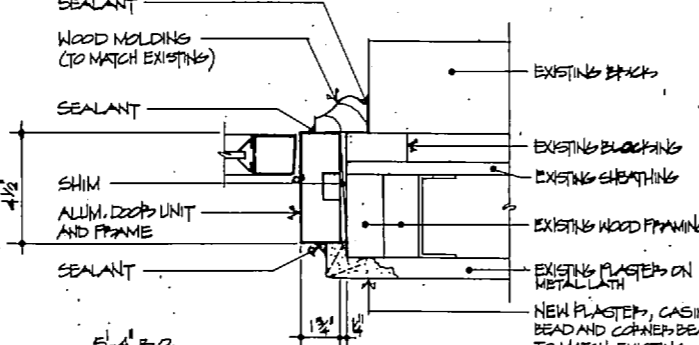
18 HEAD (CONSTRUCTION) SEE 13 FOR DEMOLITION.  
A2/A3 SCALE: 3/8"=1'-0"



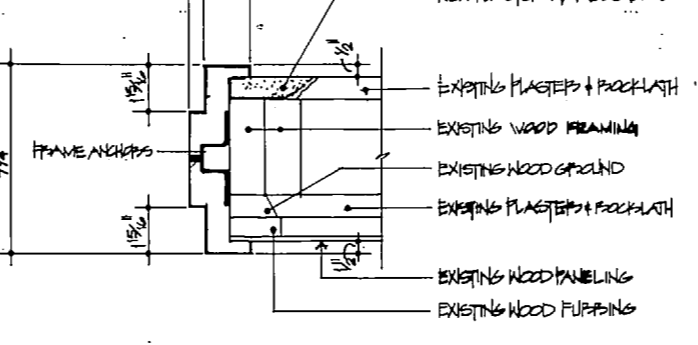
22 JAMB (CONSTRUCTION) SEE 21 FOR DEMOLITION.  
A2/A3 SCALE: 3/8"=1'-0"



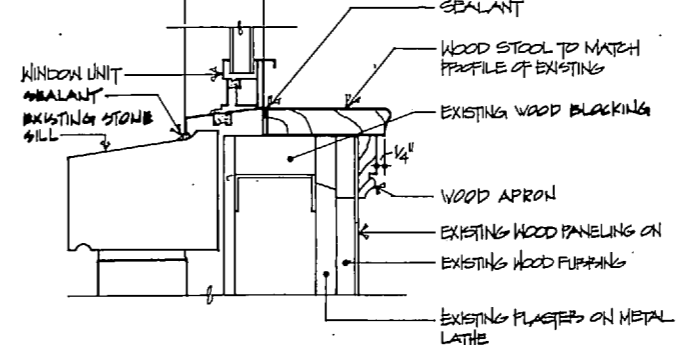
4 JAMB/HEAD (DEMOLITION)  
A2/A3 SCALE: 3/8"=1'-0"



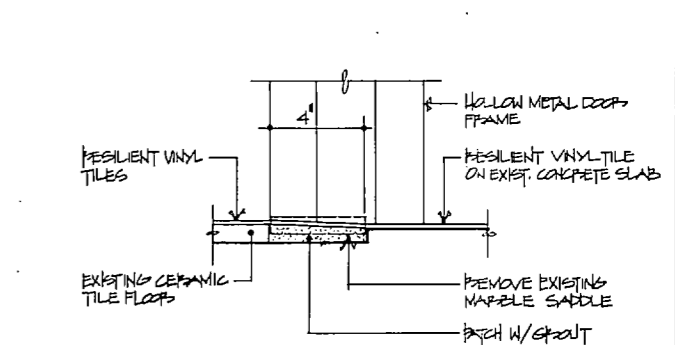
9 JAMB/HEAD SIMILAR (CONSTRUCTION) SEE 4 FOR DEMO.  
A2/A3 SCALE: 3/8"=1'-0"



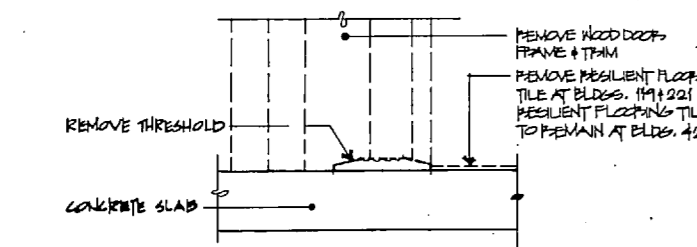
14 DEEP JAMB/HEAD SIMILAR (CONSTRUCTION) SEE 13 FOR DEMO.  
A2/A3 SCALE: 3/8"=1'-0"



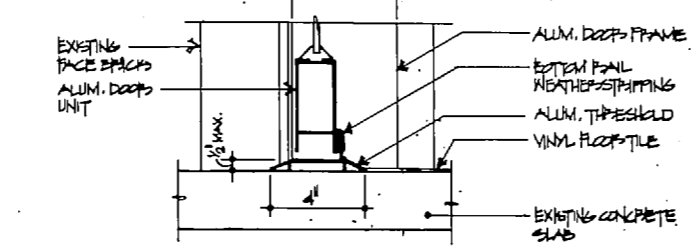
19 SILL (CONSTRUCTION) SEE 20 FOR DEMO.  
A2/A3 SCALE: 3/8"=1'-0"



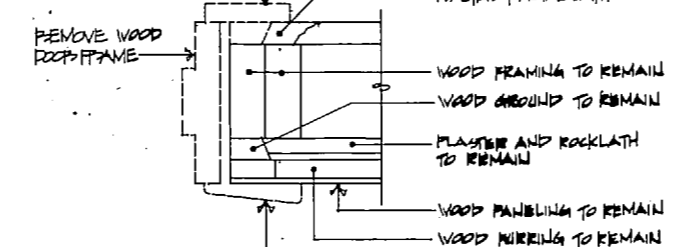
23 SILL  
A2/A3 SCALE: 3/8"=1'-0"



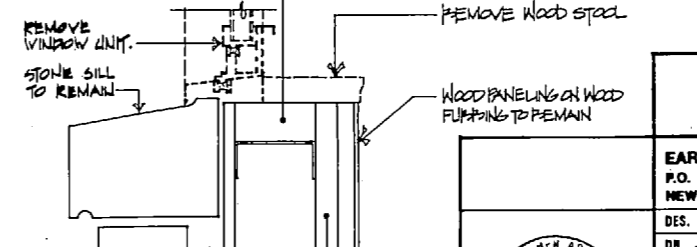
5 SILL (DEMOLITION)  
A2/A3 SCALE: 3/8"=1'-0"



10 SILL (CONSTRUCTION) SEE 9 FOR DEMO.  
A2/A3 SCALE: 3/8"=1'-0"



15 JAMB (DEMOLITION)  
A2/A3 SCALE: 3/8"=1'-0"



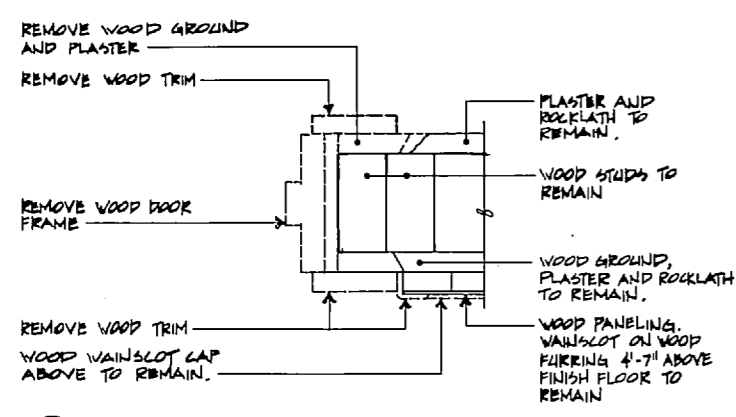
20 SILL (DEMOLITION)  
A2/A3 SCALE: 3/8"=1'-0"

<b>A3</b>	
EARL ASHER APPLIGATE P.O. BOX 399 ARCHITECT NEW BERN, N.C. 28540	DEPARTMENT OF THE NAVY NAVAL FACILITIES ENGINEERING COMMAND <b>MARINE CORPS BASE</b> CAMP LEJEUNE, NORTH CAROLINA
DES. E.A.A. DR. J.U.Z./G.A.L. CHK. M.E.L.	<b>RENOV. BLDGS. 119, 221 &amp; 421</b>
SUBMITTED BY: <i>J.H.</i>	DETAILS
DESIGN DIR. <i>J.H.</i>	SIZE CODE IDENT. NO. 415 2934
APPROVED: P.W.O. OR G.I.C.C. <i>W.C. 6-8-87</i>	NAVAC DRAWING NO. 415 2934
SATISFACTORY TO: _____	CONSTR. CONTR. NO. <b>M8247-00-5438</b>
	SCALE: NOTED SPEC. <b>08-00-5438</b> SHEET <b>4</b> OF <b>16</b>

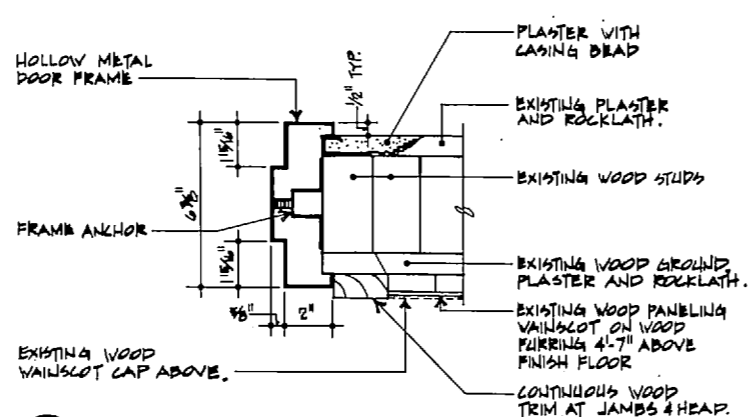




REVISIONS			
SYM.	DESCRIPTION	DATE	APPROVED



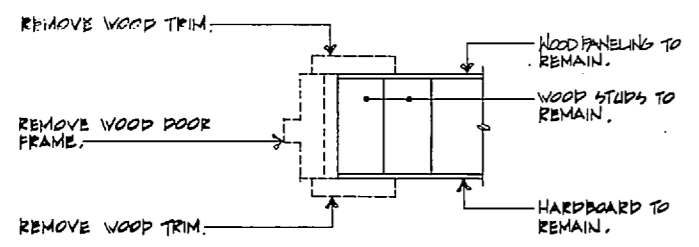
1 INTERIOR DOOR JAMB/HEAD SIMILAR (DEMOLITION)  
A1/A4 SCALE: 3"=1'-0"



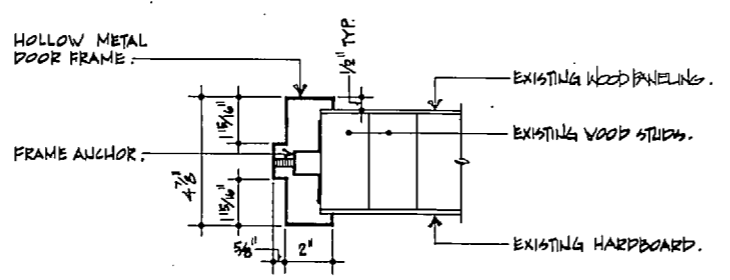
6 INTERIOR DOOR JAMB/HEAD SIMILAR (CONSTRUCTION)  
A1/A4 SCALE: 3"=1'-0"  
SEE 1 FOR DEMO.

2 NOT USED

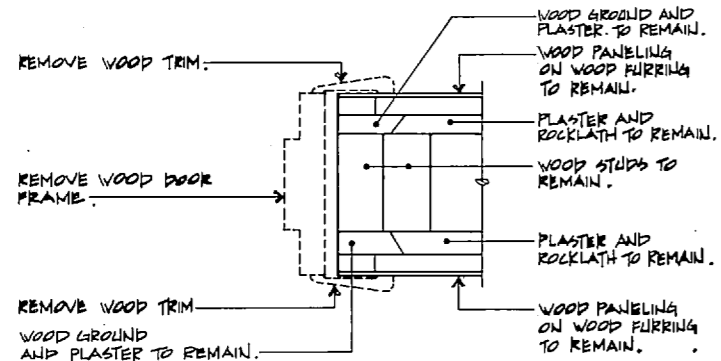
7 NOT USED



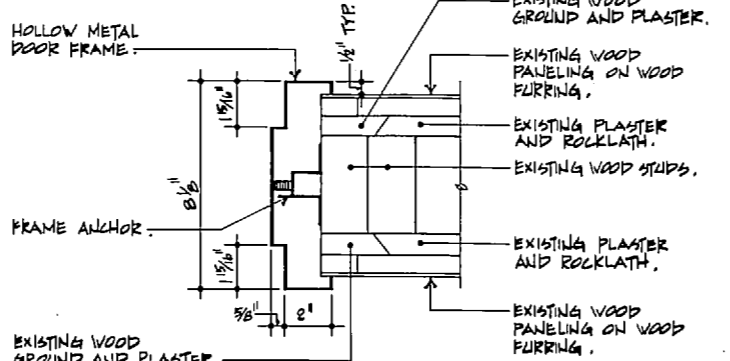
5 INTERIOR DOOR JAMB/HEAD SIMILAR (DEMOLITION)  
A1/A4 SCALE: 3"=1'-0"



8 INTERIOR DOOR JAMB/HEAD SIMILAR (CONSTRUCTION)  
A1/A4 SCALE: 3"=1'-0"  
SEE 3 FOR DEMO.



4 INTERIOR DOOR JAMB/HEAD SIMILAR (DEMOLITION)  
A1/A4 SCALE: 3"=1'-0"



9 INTERIOR DOOR JAMB/HEAD SIMILAR (CONSTRUCTION)  
A1/A4 SCALE: 3"=1'-0"  
SEE 4 FOR DEMO.

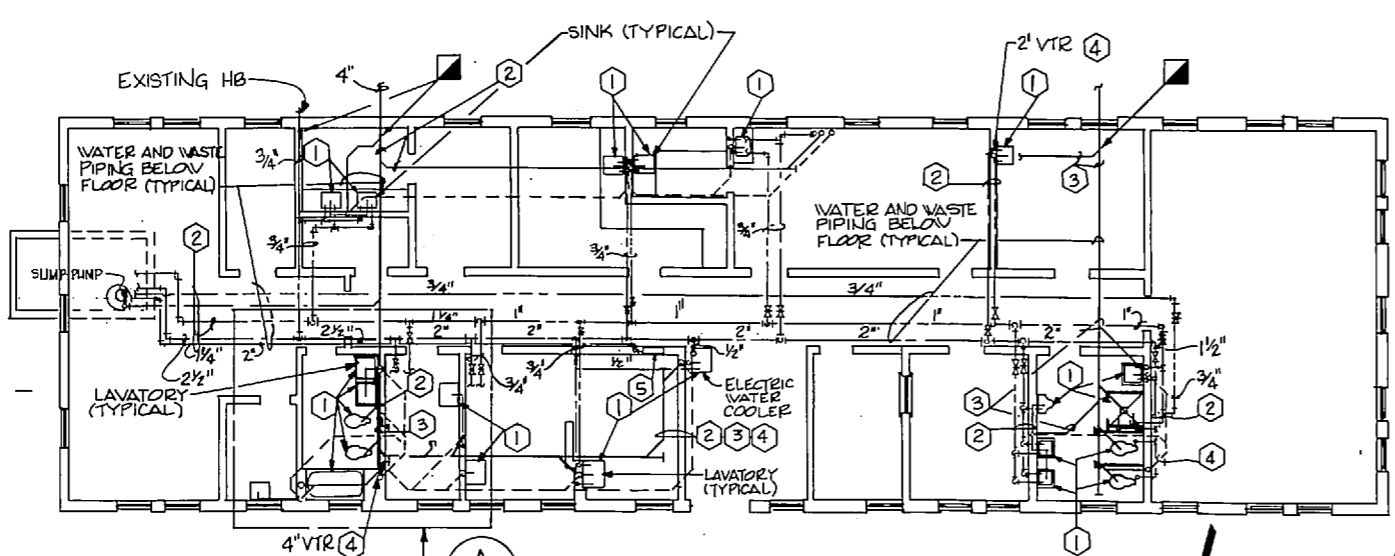
A4

	EARL ASHER APPLGATE P.O. BOX 399 ARCHITECT NEW BERN, N.C. 28560	DEPARTMENT OF THE NAVY - NAVAL FACILITIES ENGINEERING COMMAND <b>MARINE CORPS BASE</b> CAMP LEJEUNE, NORTH CAROLINA
	DES. EAA DR. GAL CHK. MEJ SUBMITTED BY:	<b>RENOV. BLDGS. 119, 221 &amp; 421</b> DETAILS
DESIGN DR. <i>MEJ</i> APPROVED: FWO OR DIC DATE <i>6-16-87</i>	SIZE <b>F</b> CODE IDENT. NO. <b>80091</b>	CONSTR. CONTR. NO. <b>062470-86-543B</b>
SATISFACTORY TO:	DATE:	SCALE: NOTED SPEC. <b>05-88-543B</b> SHEET <b>5</b> OF <b>16</b>

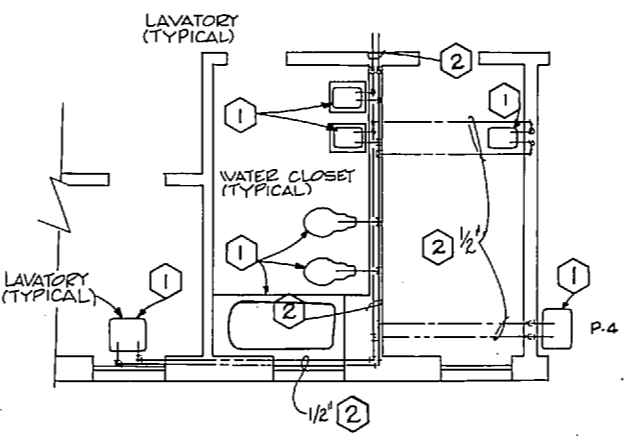


REVISIONS			
SYM.	DESCRIPTION	DATE	APPROVED

- PLUMBING DEMOLITION NOTES**
- REMOVE EXISTING FIXTURE.
  - REMOVE ALL EXISTING WATER PIPING.
  - REMOVE ALL EXISTING WASTE PIPING.
  - REMOVE ALL EXISTING VENT PIPING.
  - REMOVE EXISTING FIRE HOSE CABINET AND PIPING.



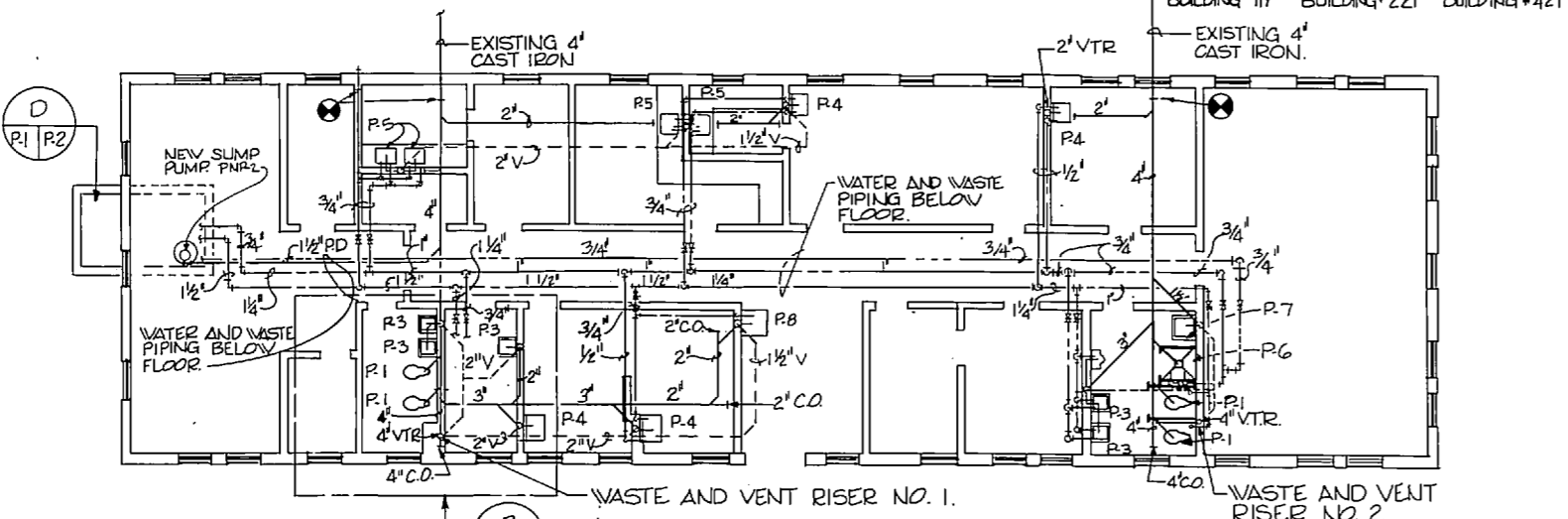
**PLUMBING PLAN - DEMOLITION**  
SCALE: 1/8"=1'-0"



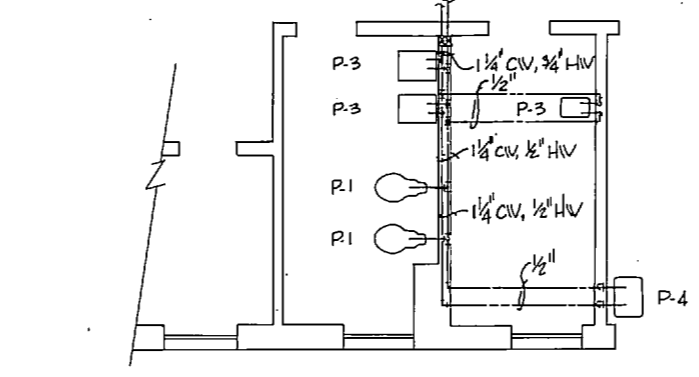
**WATER PIPING PLAN - DEMOLITION**  
SCALE: 1/4"=1'-0"

PLUMBING FIXTURE SCHEDULE					
MARK ON PLANS	DESCRIPTION	CONNECTION SIZES			REMARKS
		WASTE	HOT	COLD	
P-1	WATER CLOSET	3"		1"	FLOOR MOUNTED
P-2	URINAL	2"		1"	WALL HUNG
P-3	LAVATORY	1/2"	1/2"	1/2"	WALL HUNG
P-4	LAVATORY	1/2"	1/2"	1/2"	WALL HUNG
P-5	SINK	1/2"	1/2"	1/2"	COUNTER-TOP
P-6	SHOWER	2"	1/2"	1/2"	PROVIDE NEW STALL, RECEPTOR & DRAIN AS SPECIFIED
P-7	SERVICE SINK	2"	1/2"	1/2"	
P-8	EW.C.	1/2"		1/2"	ELECTRIC WATER COOLER(EWC)

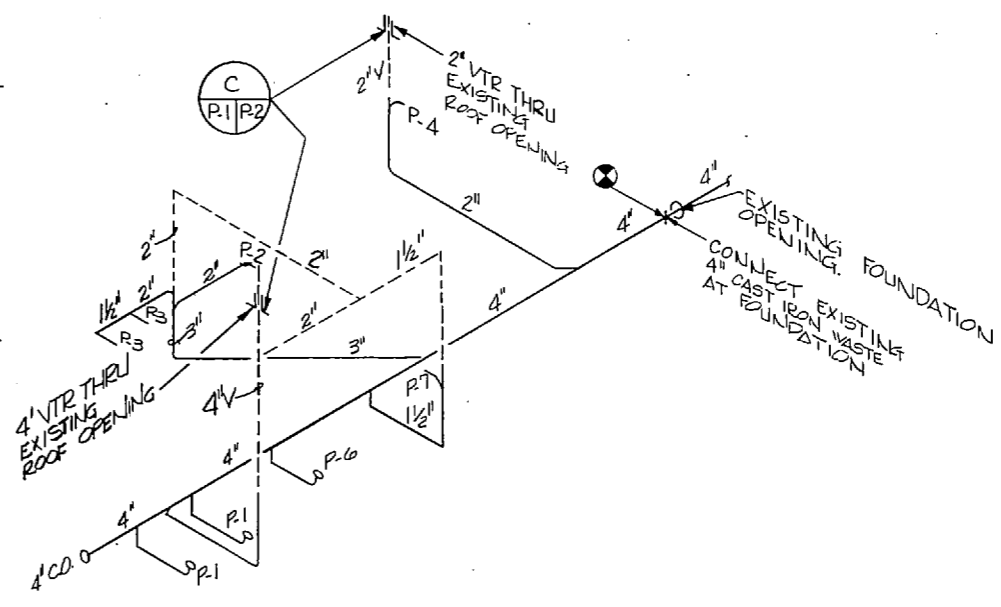
NOTE: SEE WASTE & VENT RISER - NEW WORK FOR VENT SIZES.



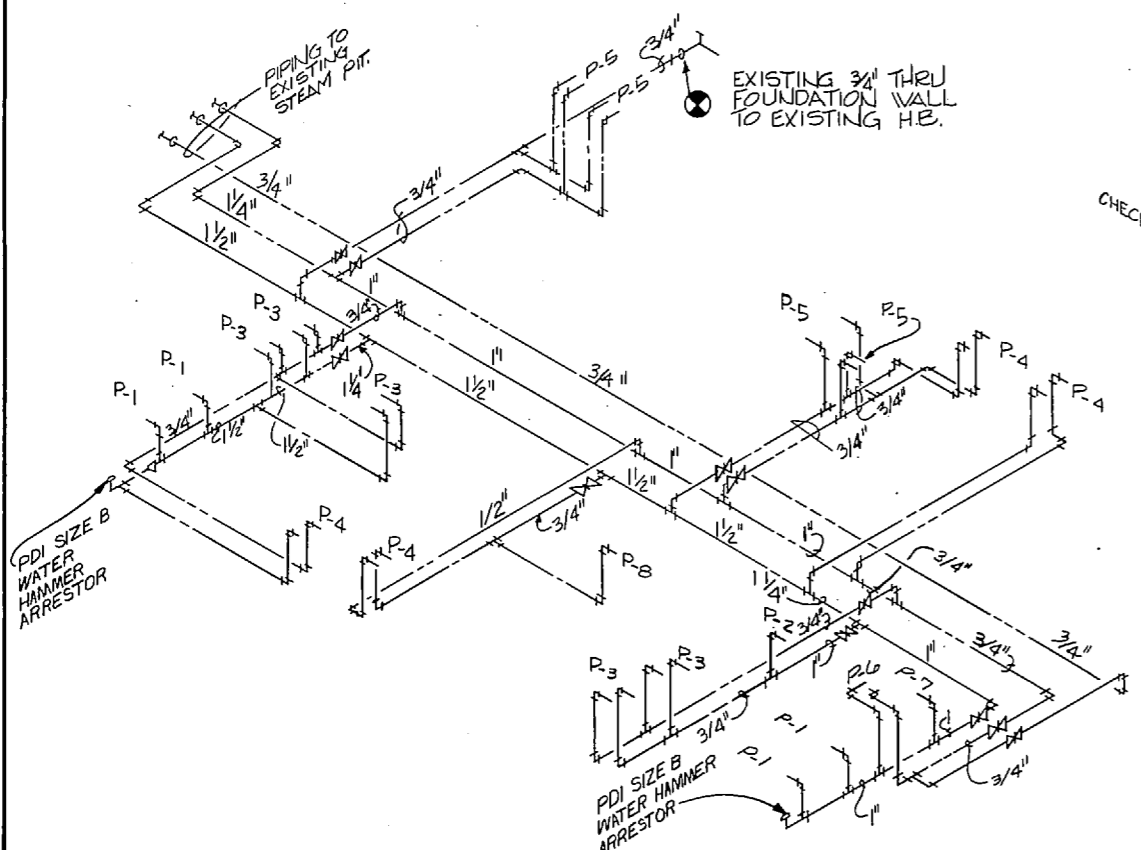
**PLUMBING PLAN - NEW WORK**  
SCALE: 1/8"=1'-0"



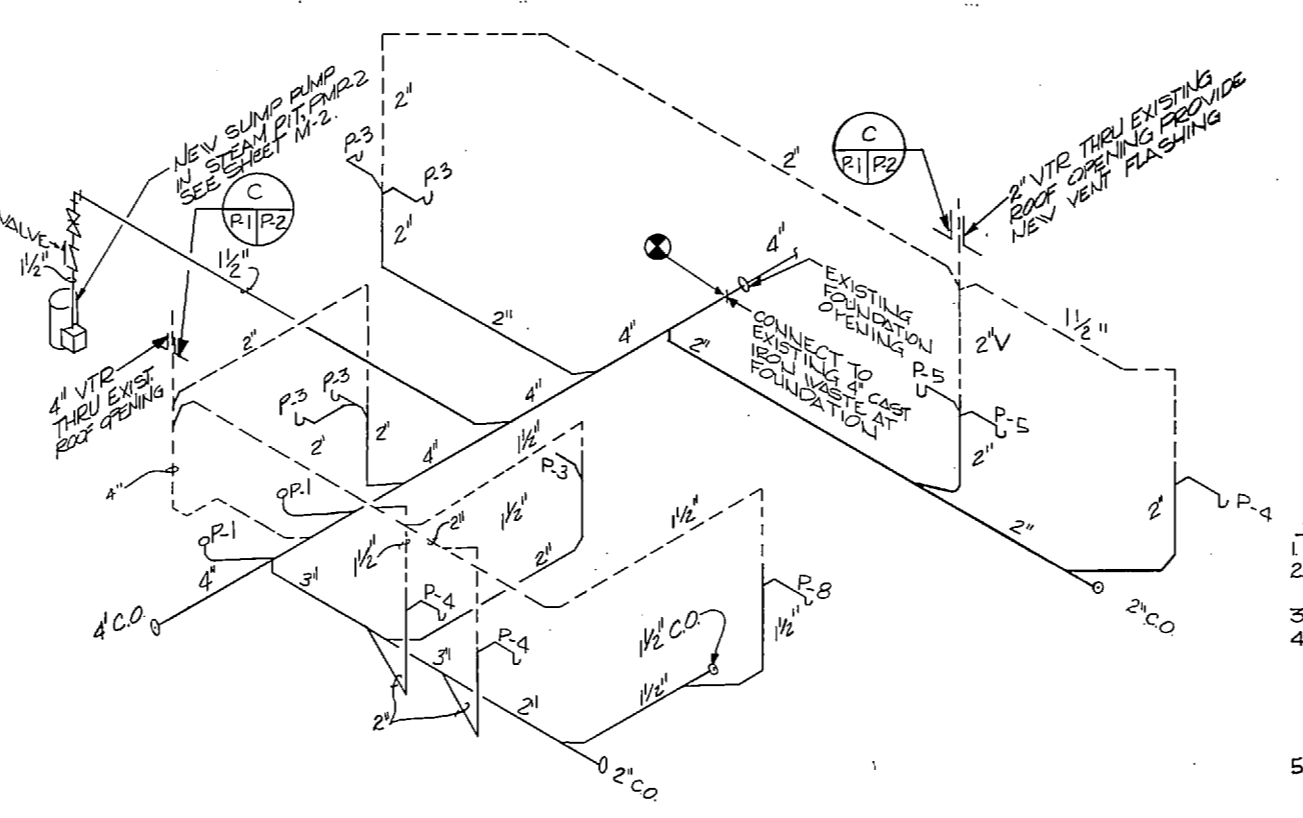
**WATER PIPING PLAN - NEW WORK**  
SCALE: 1/4"=1'-0"



**WASTE AND VENT RISER NO. 2 - NEW WORK**  
NO SCALE

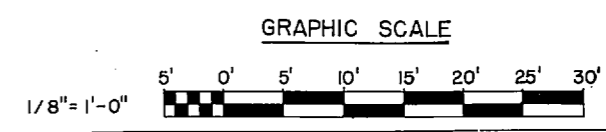


**DOMESTIC WATER RISER - NEW WORK**  
NO SCALE

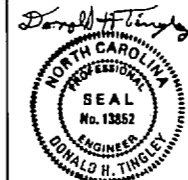


**WASTE AND VENT RISER NO. 1 - NEW WORK**  
NO SCALE

- GENERAL NOTES THIS SHEET**
- SEE P-2 FOR LEGEND
  - WATER AND WASTE PIPING BELOW FLOOR
  - VENT ABOVE CEILING
  - EXISTING WATER PIPING BELOW FLOOR AND IN PIT HAS ASBESTOS CONTAMINATION. INSULATION SEE SPECIFICATION SECTION 02080 REMOVE AND DISPOSAL OF ASBESTOS MATERIALS
  - SEE ISOMETRIC RISER DIAGRAMS FOR PIPING SIZES.



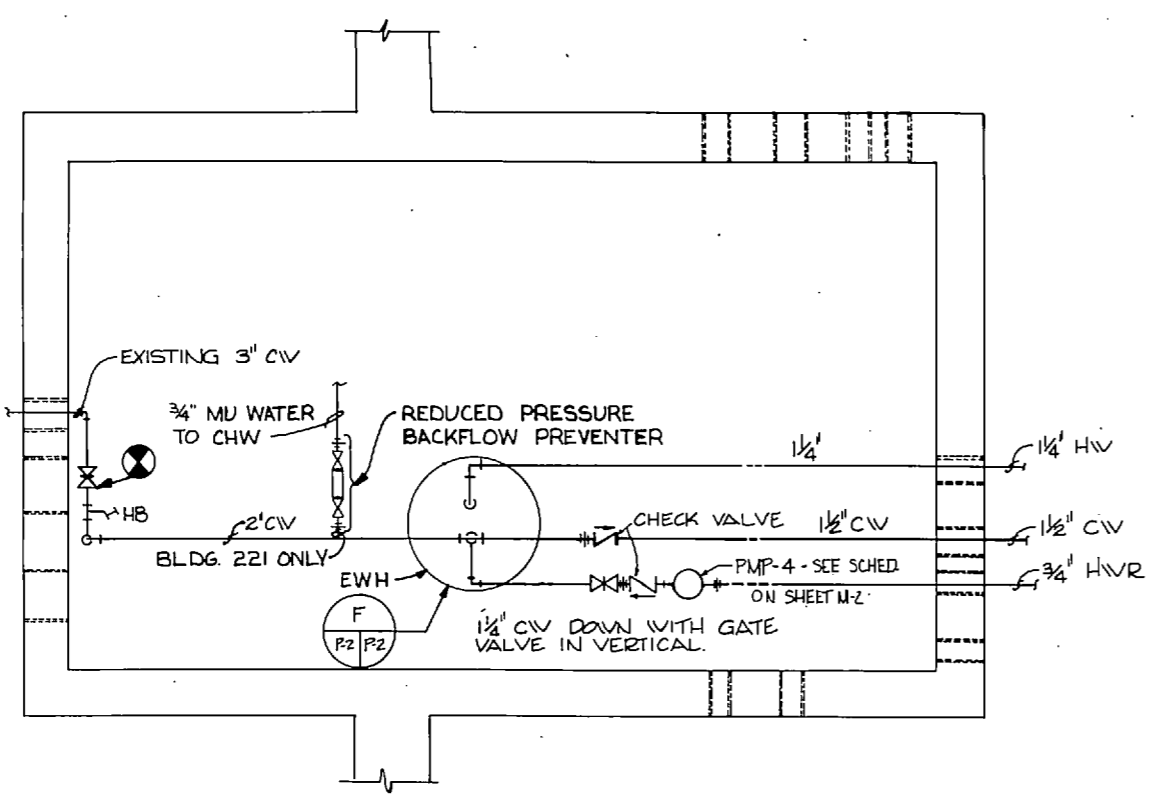
WARNING: ASBESTOS MATERIALS PRESENT, SEE SECTION 02080 OF THE SPECIFICATIONS



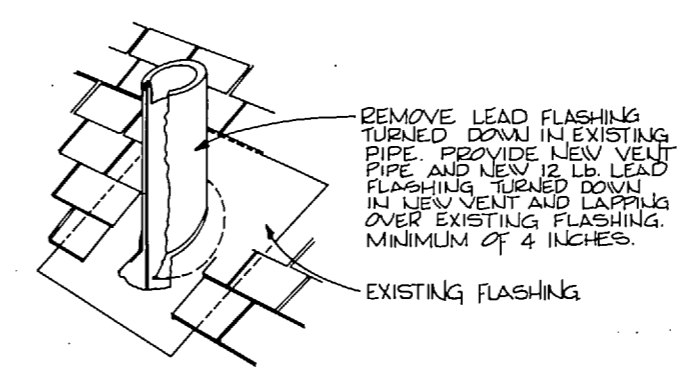
MCKIM & CREED ENGINEERS, P.A. 243 N. FRONT STREET WILMINGTON, NORTH CAROLINA		DEPARTMENT OF THE NAVY NAVAL FACILITIES ENGINEERING COMMAND MARINE CORPS BASE COMPTON, NORTH CAROLINA	
DES. KEF	DR. BPR	<b>STRUCTURAL, ELECTRICAL, &amp; MECHANICAL RENOVATIONS FOR BUILDINGS 119, 221, 421</b> PLUMBING-DEMOLITION-NEW WORK	
CHK. DHT	SUBMITTED BY: H.P. MCKIM JR.		
APPROVED: PWO OR OIC	DATE: 6-16-87	SIZE: F	CODE IDENT. NO.: 80091
SATISFACTORY TO:	DATE:	NAVFAC DRAWING NO.: 4152936	CONSTR. CONTR. NO. N624708695438
SCALE: NOTED		SPEC: 05-86-5438 SHEET 1 OF 16	



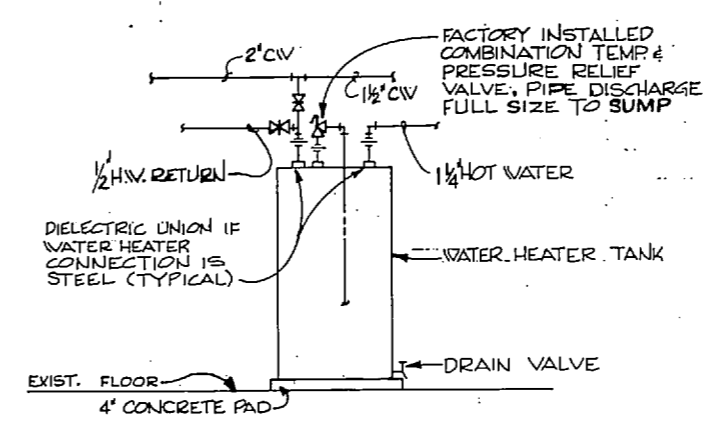
REVISIONS			
SYMBOL	DESCRIPTION	DATE	APPROVED



**D** PIT PLUMBING PLAN - NEW WORK  
SCALE: 3/4" = 1'-0"



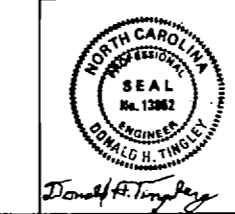
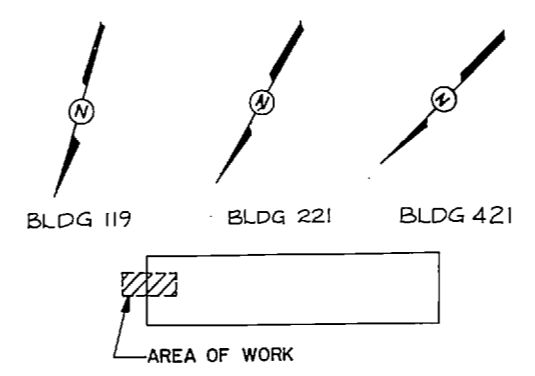
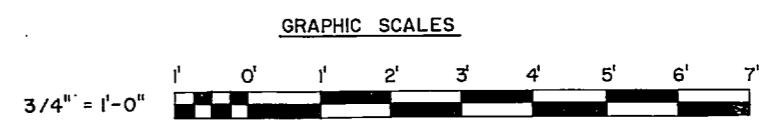
**C** VENT THRU ROOF DETAIL  
NO SCALE



**E** WATER HEATER DETAIL  
NO SCALE

PLUMBING LEGEND	
SYMBOL	DESCRIPTION
---	COLD WATER PIPING (C.W.)
---	HOT WATER PIPING (H.W.)
---	VENT PIPING
---	HOT WATER RECIRCULATING LINE
V.T.R.	VENT THRU ROOF
DK	GATE VALVE
H.B.	HOSE BIBB
P.D.	PUMP DISCHARGE
C.O.	CLEAN OUT
V	VENT
W	WASTE
H.W.	HOT WATER
C.W.	COLD WATER
E.W.H.	ELECTRIC WATER HEATER
M.U.	MAKE-UP WATER
CH.W.	CHILLED WATER

**PLUMBING EQUIPMENT NOTES**  
 E.W.H. - ELECTRIC WATER HEATER SHALL BE STORAGE TYPE, 120 GALLON CAPACITY, 55 GALLON PER HOUR RECOVERY WITH A 90° TEMPERATURE RISE. WATER HEATER ELECTRICAL REQUIREMENTS SHALL BE 12000 WATTS AT 208 VOLTS, 3 PHASE.

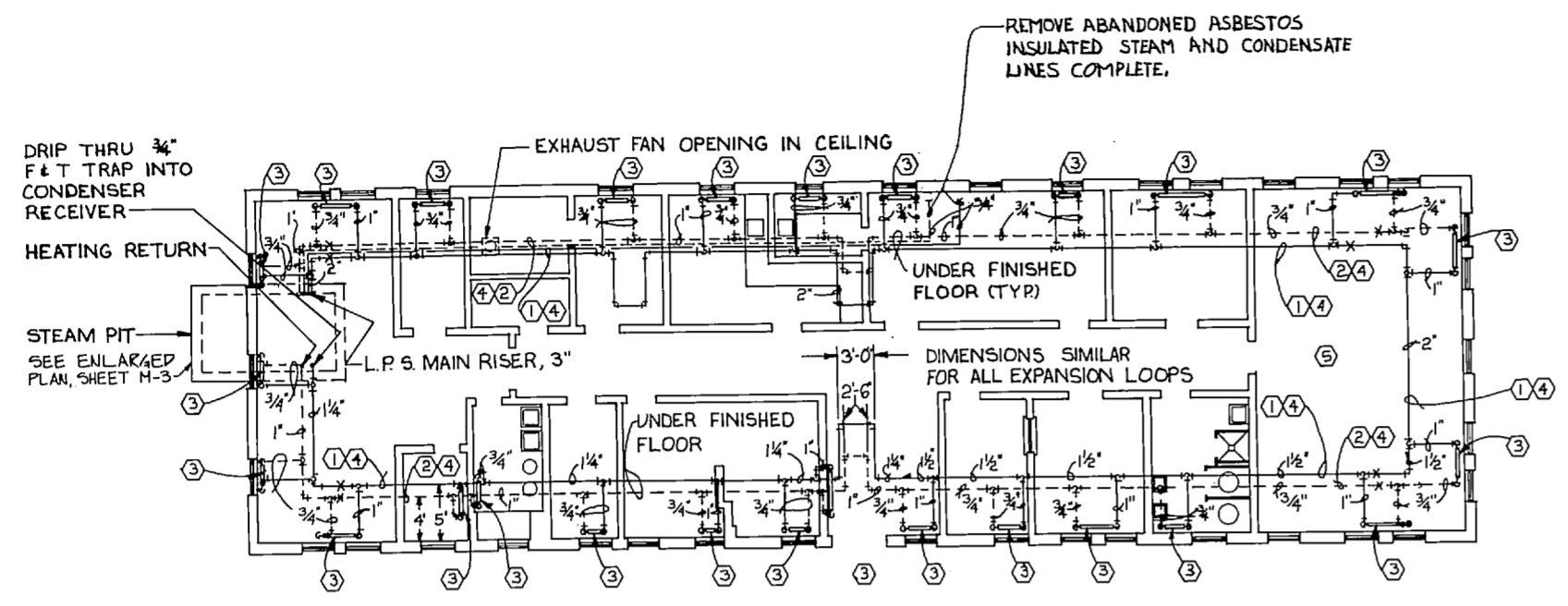


MCKIM & CREED ENGINEERS P.A. 243 N. FRONT STREET WILMINGTON, NORTH CAROLINA		DEPARTMENT OF THE NAVY NAVAL FACILITIES ENGINEERING COMMAND <b>MARINE CORPS BASE</b> CAMP LEJEUNE, NORTH CAROLINA	
DESIGNED BY: HPMCKIM JR.		STURCTURAL, ELECTRICAL & MECHANICAL RENOVATIONS FOR BUILDING 119, 221, 421	
APPROVED: PPH OR DCC		PLUMBING, DETAILS	
DATE: 6-16-87	DATE: 6-16-87	SIZE: F	CODE IDENT. NO.: 80091
SATISFACTORY TO:		NAVFAC DRAWING NO.: 4152937	
SCALE: NOTED		CONSTR. CONTR. NO.: NS2470-86-B-5438	
SPEC: 05-86-5438		SHEET 7 OF 16	

P-2



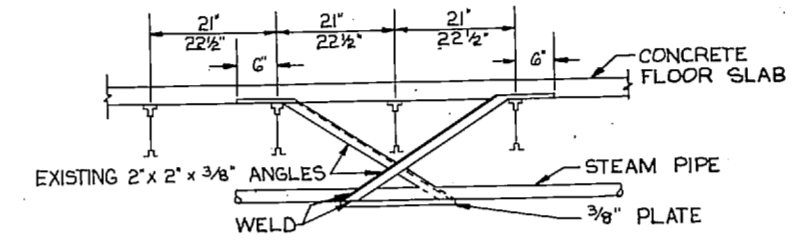
REVISIONS			
NO.	DESCRIPTION	DATE	APPROVED



**BUILDINGS 119 & 421 FLOOR PLAN - MECHANICAL - DEMOLITION**  
SCALE: 1/8"=1'-0"

**DEMOLITION NOTES**

- ① REMOVE ALL EXISTING STEAM PIPING.
- ② REMOVE ALL EXISTING CONDENSATE PIPING.
- ③ REMOVE ALL EXISTING STEAM RADIATORS AND ACCESSORIES.
- ④ PIPING UNDER BUILDINGS IS COVERED WITH ASBESTOS INSULATION. REMOVAL SHALL BE IN ACCORDANCE WITH SPECIFICATION SECTION 02080 AND ALL APPLICABLE CODES.
- ⑤ SOIL UNDER BUILDINGS IS CONTAMINATED WITH FIABLE ASBESTOS. COVER CONTAMINATED SOIL W/ 4 MIL POLYETHYLENE SHEET (LAP 12" MIN. AT JOINTS) COVER COMPLETELY WITH CLEAN SAND, 2" MIN. DEPTH.

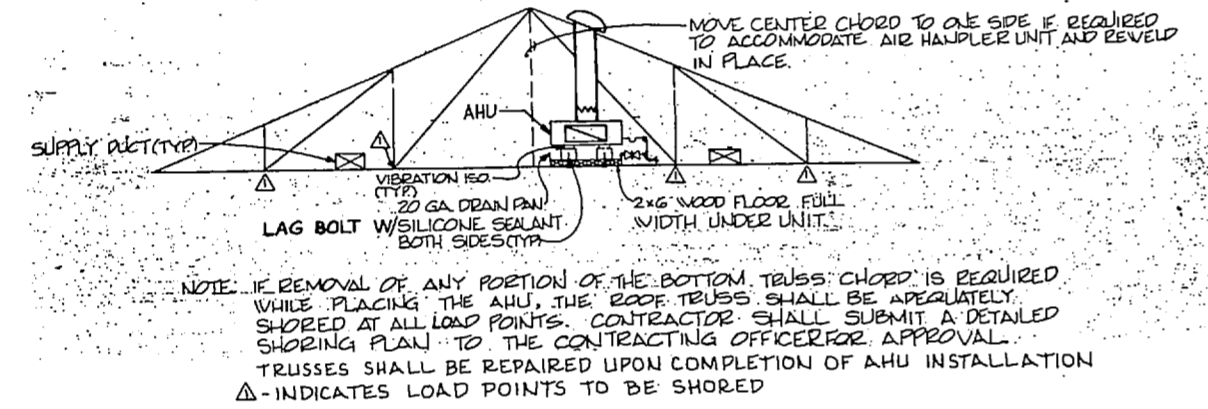


**ANCHOR DETAIL**  
NO SCALE

NOTE: REUSE EXISTING ANCHORS TO EXTENT POSSIBLE.

**MECHANICAL LEGEND**

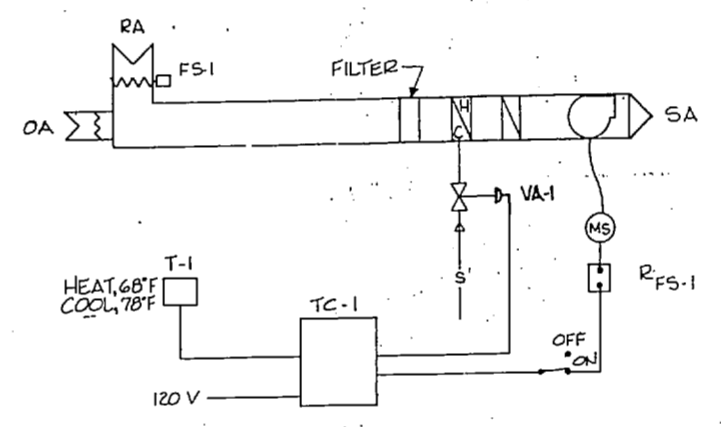
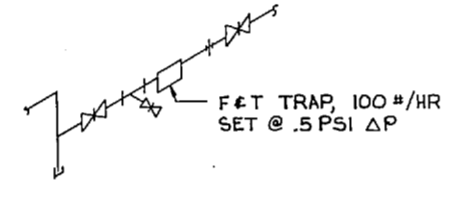
SYMBOL	DESCRIPTION
	SUPPLY DUCT
	RETURN DUCT
	FLEX DUCT -SCOOP & DAMPER
	ANCHOR
	ECCENTRIC REDUCER
	GATE VALVE
	CHECK VALVE
	STRAINER
	SUPPLY
	RETURN
	CONDENSATE
	UNION
	GAUGE COCK
	GAUGE
	PRESSURE REDUCING VALVE
	CONCENTRIC REDUCER
	CONTROL VALVE
	STEAM TRAP
	REMOVE TO THIS POINT
	CONNECT NEW TO EXIST
	RELIEF VALVE
	MOTOR STARTER
	FIRE STAT



**AIR HANDLING UNIT DETAIL - NEW WORK**  
NO SCALE

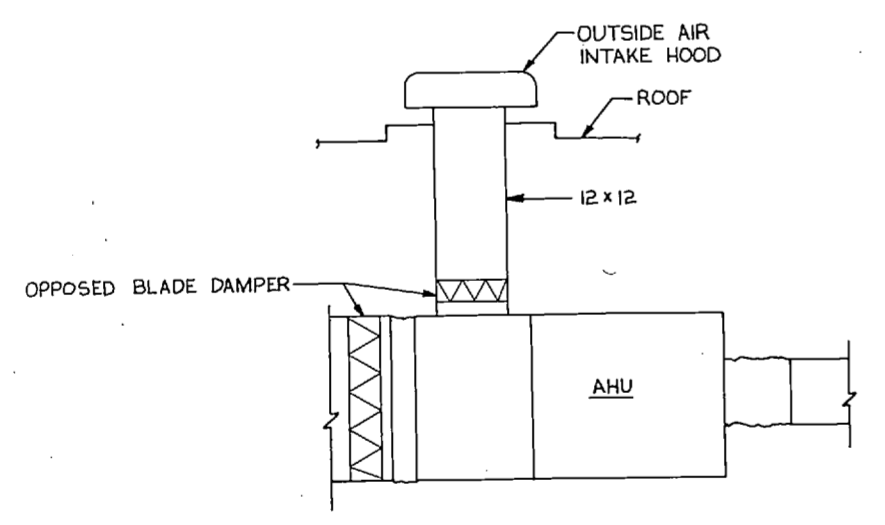
NOTE: IF REMOVAL OF ANY PORTION OF THE BOTTOM TRUSS CHORD IS REQUIRED WHILE PLACING THE AHU, THE ROOF TRUSS SHALL BE ADEQUATELY SHORED AT ALL LOAD POINTS. CONTRACTOR SHALL SUBMIT A DETAILED SHORING PLAN TO THE CONTRACTING OFFICER FOR APPROVAL. TRUSSES SHALL BE REPAIRED UPON COMPLETION OF AHU INSTALLATION. Δ INDICATES LOAD POINTS TO BE SHORED.

**END OF MAIN DRIP - NEW WORK**  
NO SCALE

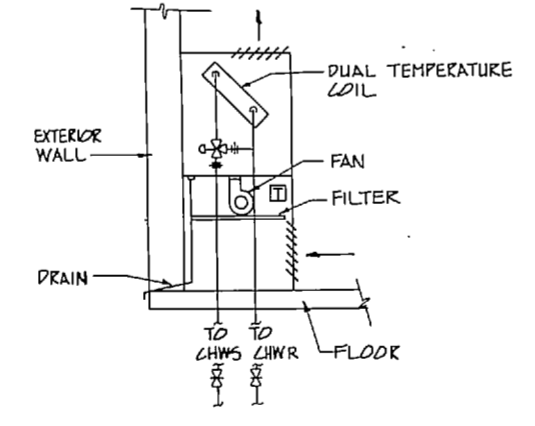


**CONTROL SCHEMATIC**

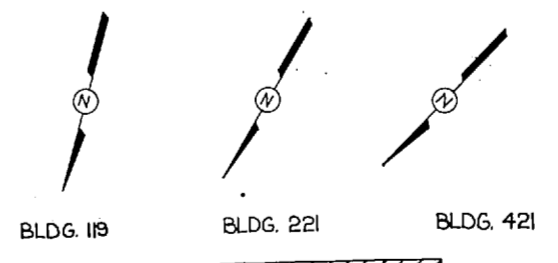
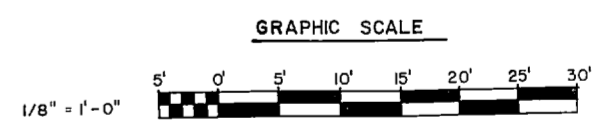
**SEQUENCE OF OPERATION**  
COOLING: WHEN THERMOSTAT IS IN "COOL" POSITION WITH FAN SELECTOR SWITCHES IN "ON" POSITION, THE COMPRESSOR SHALL CYCLE AND THE FAN SHALL RUN CONTINUOUSLY. HEATING: WHEN THERMOSTAT T-1 IS IN HEAT POSITION WITH FAN SELECTOR SWITCH IN "ON" POSITION, THE STEAM CONTROL VALVE ACTUATOR VA-1 SHALL MODULATE AND THE FAN SHALL RUN CONTINUOUSLY. FAN: WHEN FAN SELECTOR SWITCH IS IN "ON" POSITION, THE FAN SHALL RUN CONTINUOUSLY. FAN SELECTOR SWITCH SHALL BE LEFT IN THE "ON" POSITION DURING NORMAL OPERATION. FIRESTAT FS-1 SHALL STOP THE FAN UPON SENSING A RETURN AIR TEMPERATURE OF 130°F.



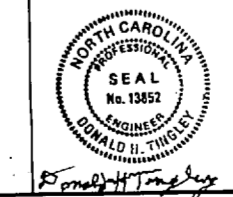
**OUTSIDE AIR INTAKE DETAIL**  
NO SCALE



**FAN COIL DETAIL**  
NO SCALE



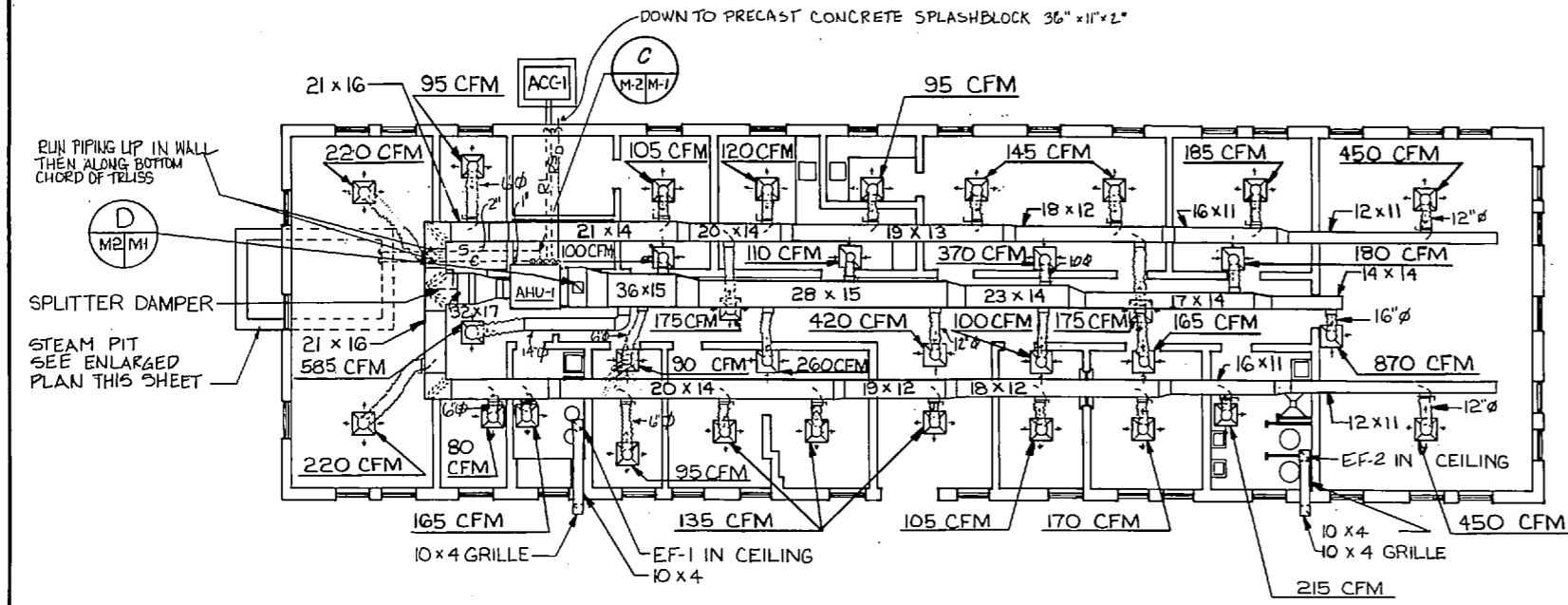
MCKIM & CREED ENGINEERS, P.A. 243 N. FRONT STREET WILMINGTON, NORTH CAROLINA		DEPARTMENT OF THE NAVY NAVAL FACILITIES ENGINEERING COMMAND <b>MARINE CORPS BASE</b> CAMP LEJEUNE, NORTH CAROLINA	
DESIGN BY: T.E.C.	DR. A.L.F.	STRUCTURAL, ELECTRICAL, & MECHANICAL RENOVATIONS FOR BUILDINGS 119, 221, 421	
CHK. D.H.T.	SUBMITTED BY: H.P. MCKIM, JR.	BLDG. 119 & 421 MECH.-DEMO. & NEW WORK DETAILS	
DESIGN NO. 74	APPROVED: P.W.O. OR DIC	DATE: 6-16-87	NAVFAC DRAWING NO. 4152938
SATISFACTORY TO:	DATE:	SCALE: NOTED	SPEC. 05-86-5438



M-1







**BUILDINGS 119 & 421 FLOOR PLAN - MECHANICAL - NEW WORK**  
SCALE: 1/8" = 1'-0"

NOTE: ALL DIFFUSERS & REGISTERS ARE 24" x 24" W/8" NECK UNLESS OTHERWISE NOTED.  
ALL DUCTWORK LOCATED IN ATTIC SPACE

MARK	SUPPLY AIR CFM	OUTSIDE AIR CFM	TOTAL AIR CFM	COOLING LOAD (BTU/HR)	E.A.T.	L.A.T.	TOTAL E.A.T.	L.A.T.	ELECTRIC LOAD (WATTS)
HAU-1	3015	565	3580	120	92	79.9	66.1	90.1	53.8

MARK	TOTAL COOLING CAPACITY (TONS)	CONDENSER FAN HP	MIN. REFRIGERANT (LBS)	SECTIONS	LIQUID LINE	VOLTS	PHASE
REC-1	120	34.75	23.6	3.7	1-1/8"	208	3

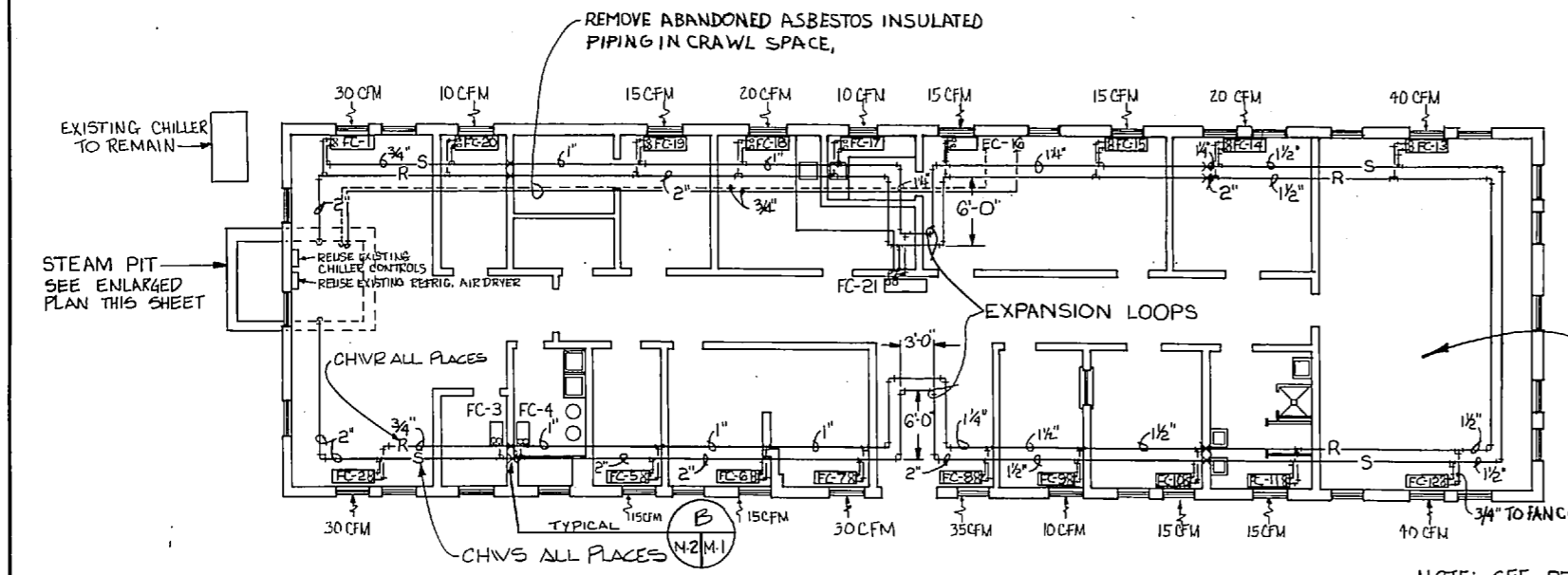
MARK	CFM	HP	VOLTS	PHASE
EF-1	185	0.1	1/30	1
EF-2	250	0.1	1/20	1

NO.	DESCRIPTION	DATE	APPROVED

MARK	COOLING SENSIBLE (MBH)	COOLING TOTAL (MBH)	HTG (MBH) TOTAL	GPM	P.D.	TOTAL CFM	O.A. CFM
FC-1	8.3	11	10.8	2.3	4.9	325	30
FC-2	8.3	11	10.8	2.3	4.9	325	30
FC-3	2.7	3	2.4	1.2	1.7	105	15
FC-4	3.2	3.4	3.2	1.2	1.7	125	15
FC-5	4.7	4.1	4.7	1.9	5.8	180	15
FC-6	4.7	4.1	4.7	1.9	5.8	180	15
FC-7	4.7	4.1	4.7	1.9	5.8	180	15
FC-8	8.5	11.4	9.5	2.3	4.9	330	35
FC-9	3.7	4.7	4	1.2	1.7	145	10
FC-10	4.7	4.1	4.7	1.9	5.8	180	15
FC-11	4.7	4.1	4.7	1.9	5.8	180	15
FC-12	14.7	18	13.5	4.9	12.5	570	40
FC-13	14.7	18	13.5	4.9	12.5	570	40
FC-14	6.4	7.3	6.2	1.9	5.8	250	20
FC-15	5.1	6	5.4	1.9	5.8	200	15
FC-16	5.1	6	5.4	1.9	5.8	200	15
FC-17	5.1	6	5.4	1.9	5.8	200	15
FC-18	3.7	4.4	4.1	1.2	1.7	115	10
FC-19	4.7	6.2	6.2	1.9	5.8	180	20
FC-20	3.3	3.7	3.2	1.2	1.7	125	15
FC-21	8.5	11.4	9.5	2.3	4.9	330	30

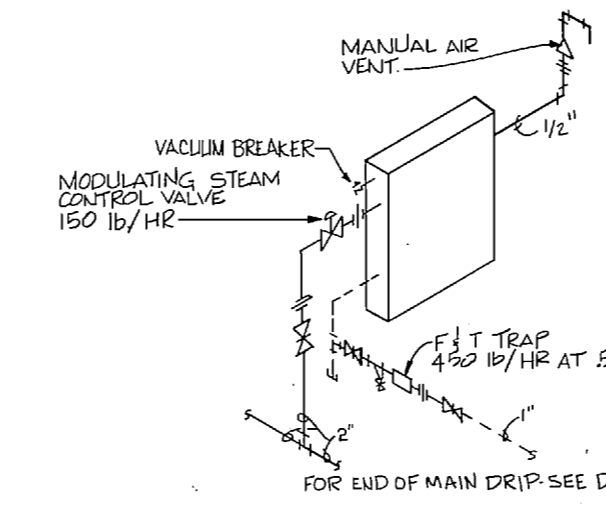
DATA BASED ON ENTERING WATER TEMP. = 45F, LEAVING WATER TEMP. = 55F

MARK	GPM	TDH (FT)	HP	REMARKS
PMP-1	9	80	1	208V, 3PHASE, W/14 GAL RECEIVER
PMP-2	10	20	1/3	120V, 1PHASE SUBMERSIBLE
PMP-3	40	55	2	208V, 3PHASE, 3500RPM, CIRCULATING PUMP
PMP-4	7	15	1/4	120V 1Ø CIRC. PUMP

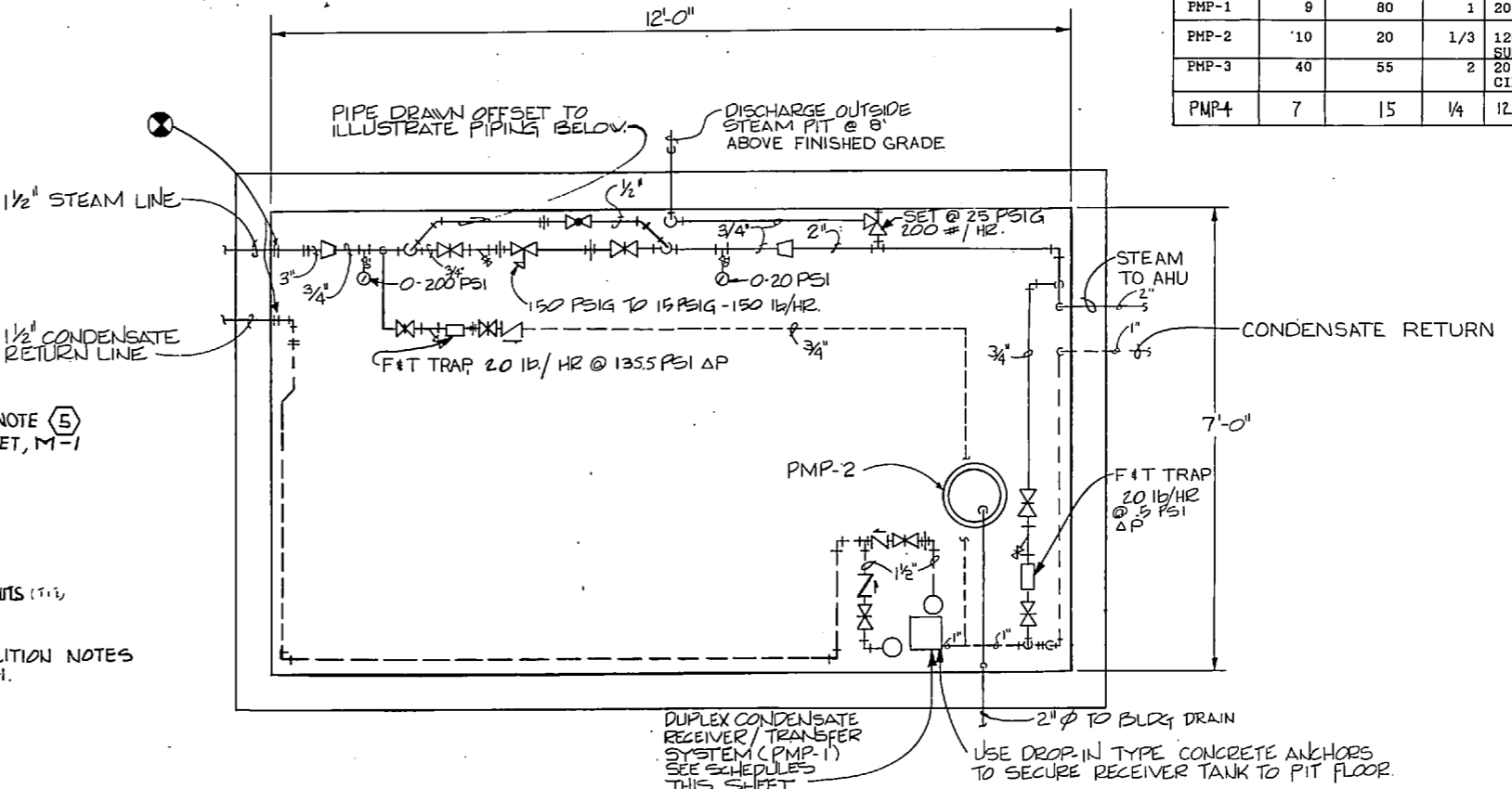


**BUILDING 221 FLOOR PLAN - DEMOLITION & NEW WORK\***  
SCALE: 1/8" = 1'-0"

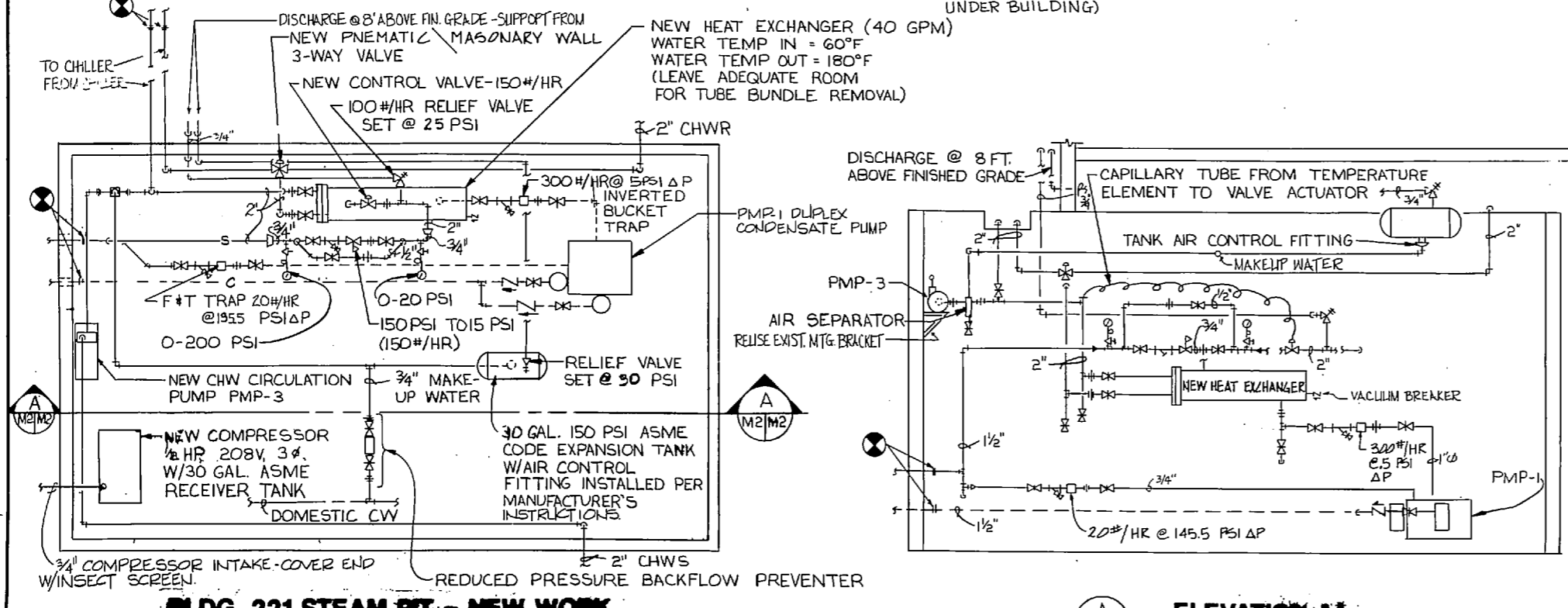
\*NOTE: REMOVE ALL EXISTING PIPING AND FAN COIL UNITS AND REPLACE W/NEW AS SHOWN. (PIPING IN CRAWL SPACE UNDER BUILDING)



**STEAM COIL DETAIL**  
NO SCALE



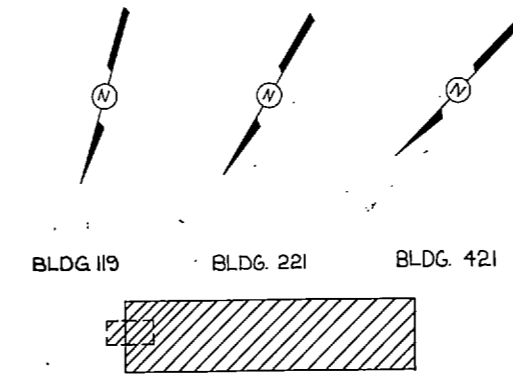
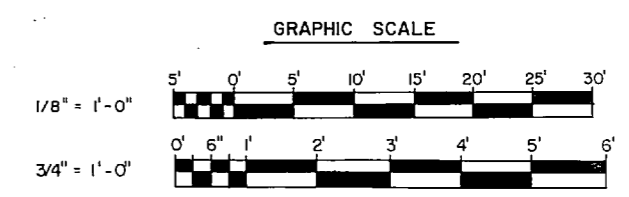
**BUILDING 119 AND 421 STEAM PIT - NEW WORK**  
SCALE: 3/4" = 1'-0"



**BLDG. 221 STEAM PIT - NEW WORK**  
SCALE: 3/4" = 1'-0"

NOTE: REUSE EXISTING MOUNTING BRACKETS PMP PMP-3 & AIR COMPRESSOR.

**ELEVATION A**  
SCALE: 3/4" = 1'-0"

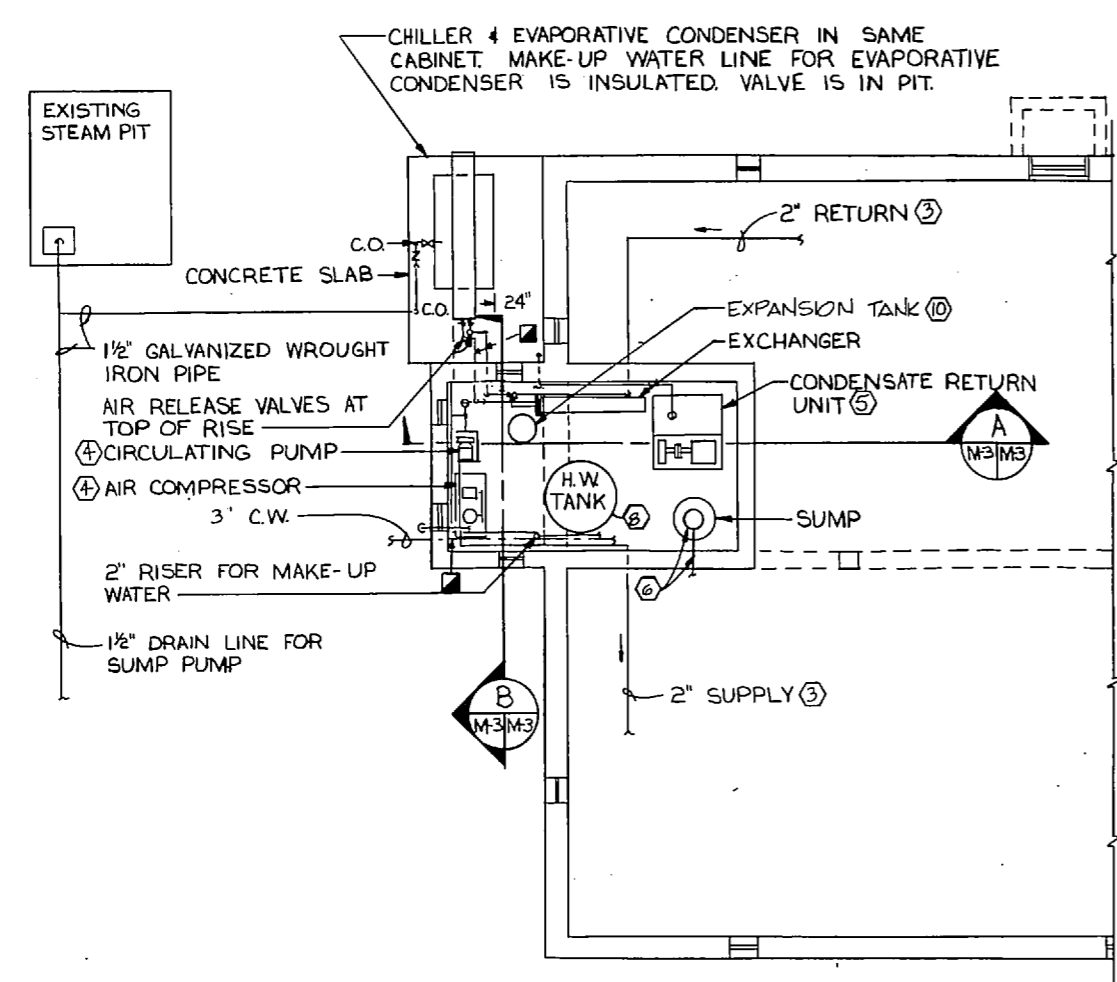


**M-2**

McKIM & CREED ENGINEERS, P.A. 243 N. FRONT STREET WILMINGTON, NORTH CAROLINA	DEPARTMENT OF THE NAVY NAVAL FACILITIES ENGINEERING COMMAND <b>MARINE CORPS BASE</b> CAMP LEJEUNE, NORTH CAROLINA
DES. T.F.C. DR. A.L.F. B.P.R. CHK. D.H.T. SUBMITTED BY: H.P. McKIM, JR. DESIGN NO. 344	<b>STRUCTURAL, ELECTRICAL, &amp; MECHANICAL RENOVATIONS FOR BUILDINGS 119, 221, 421</b>
APPROVED: P.W. OR DIC DATE: 6-16-82	MECH. DEMO-BLDG 221; NEW WORK-BLDG. 119, 221, 421
SATISFACTORY TO:	SIZE: 11" x 17" CODE IDENT. NO.: 80091 NAVFAC DRAWING NO.: 4152939 CONST. CONTR. NO.: N62470-B69-5438
	SCALE: NOTED   SPEC: 05-86-5438   SHEET 9 OF 16

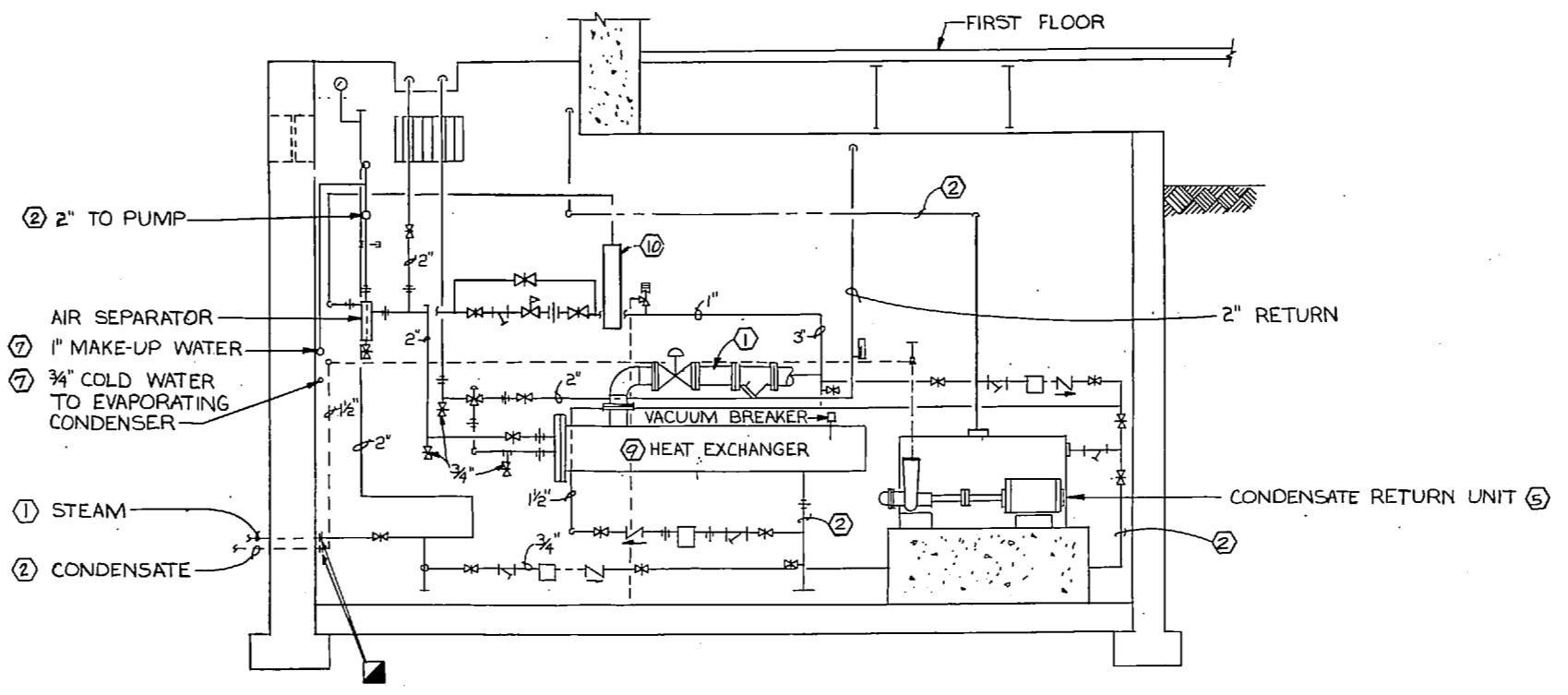


REVISIONS			
BY	DESCRIPTION	DATE	APPROVED

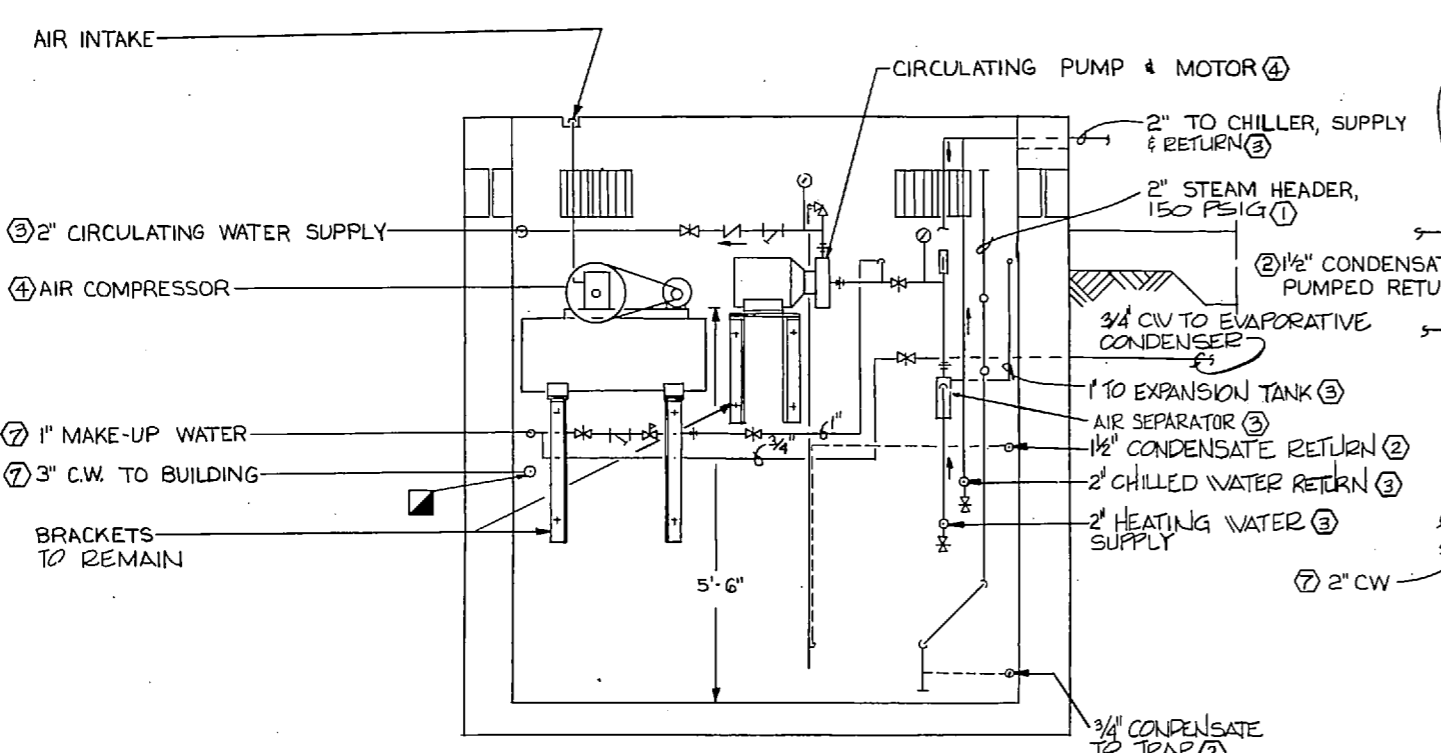


**BUILDING 221 STEAM PIT & FOUNDATION - PLAN - DEMOLITION\***  
SCALE: 1/4"=1'-0"

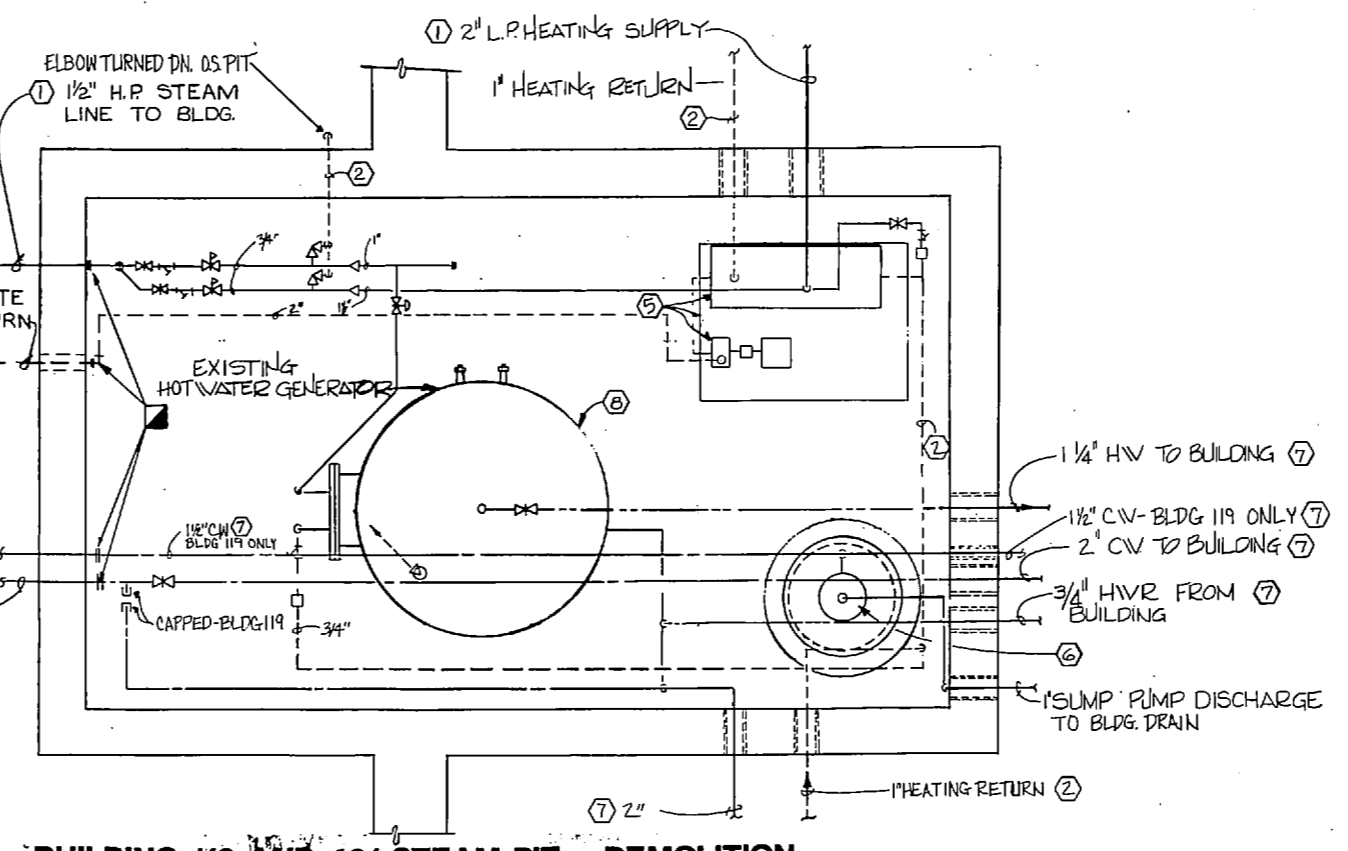
\* NOTE: FOR CLARITY, ALL PIPING IS NOT SHOWN. SEE SECTIONS FOR GREATER DETAIL.



**SECTION A - DEMOLITION**  
SCALE: 3/4"=1'-0"



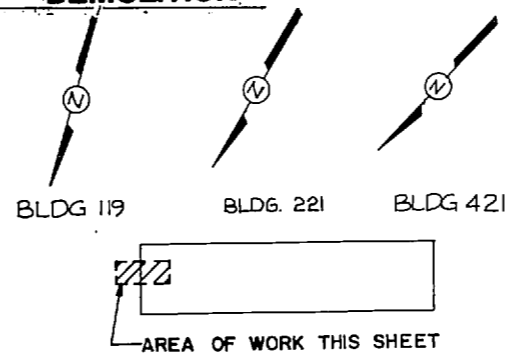
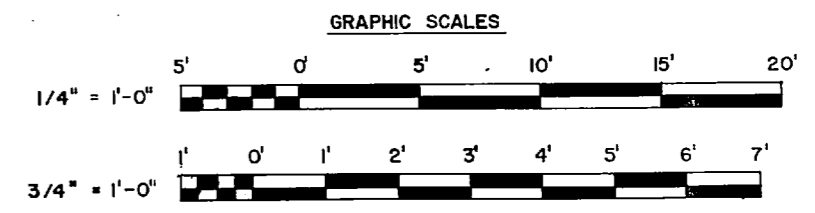
**SECTION B - DEMOLITION**  
SCALE: 3/4"=1'-0"



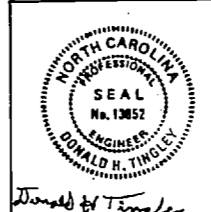
**BUILDING 119 AND 421 STEAM PIT - DEMOLITION**  
SCALE: 3/4"=1'-0"

- DEMOLITION NOTES**
- REMOVE ALL EXISTING STEAM PIPING.
  - REMOVE ALL EXISTING CONDENSATE PIPING.
  - REMOVE ALL EXISTING CHILLED & HOT WATER PIPING.
  - REMOVE EXISTING CIRCULATING PUMP AND AIR COMPRESSOR MOUNTING BRACKETS TO REMAIN.
  - REMOVE EXISTING CONDENSATE RETURN UNIT AND CONCRETE BASE (PATCH FLOOR AS REQUIRED).
  - REMOVE EXISTING SUMP PUMP & DRAIN PIPING.
  - REMOVE EXISTING DOMESTIC WATER PIPING.
  - REMOVE EXISTING HOT WATER GENERATOR TANK.
  - REMOVE EXISTING HEAT EXCHANGER.
  - REMOVE EXISTING EXPANSION TANK.
  - PIPING UNDER BUILDINGS AND PIPING AND EQUIPMENT IN BUILDINGS 119, 221, AND 421 STEAM PITS IS COVERED WITH ASBESTOS CONTAMINATED INSULATION. REMOVE INSULATION IN ACCORDANCE WITH SPECIFICATION SECTION 02080.

**WARNING:**  
ASBESTOS MATERIALS PRESENT UNDER BUILDINGS AND IN BUILDINGS 119, 221, & 421 STEAM PITS. REFER TO SPECIFICATION SECTION 02080

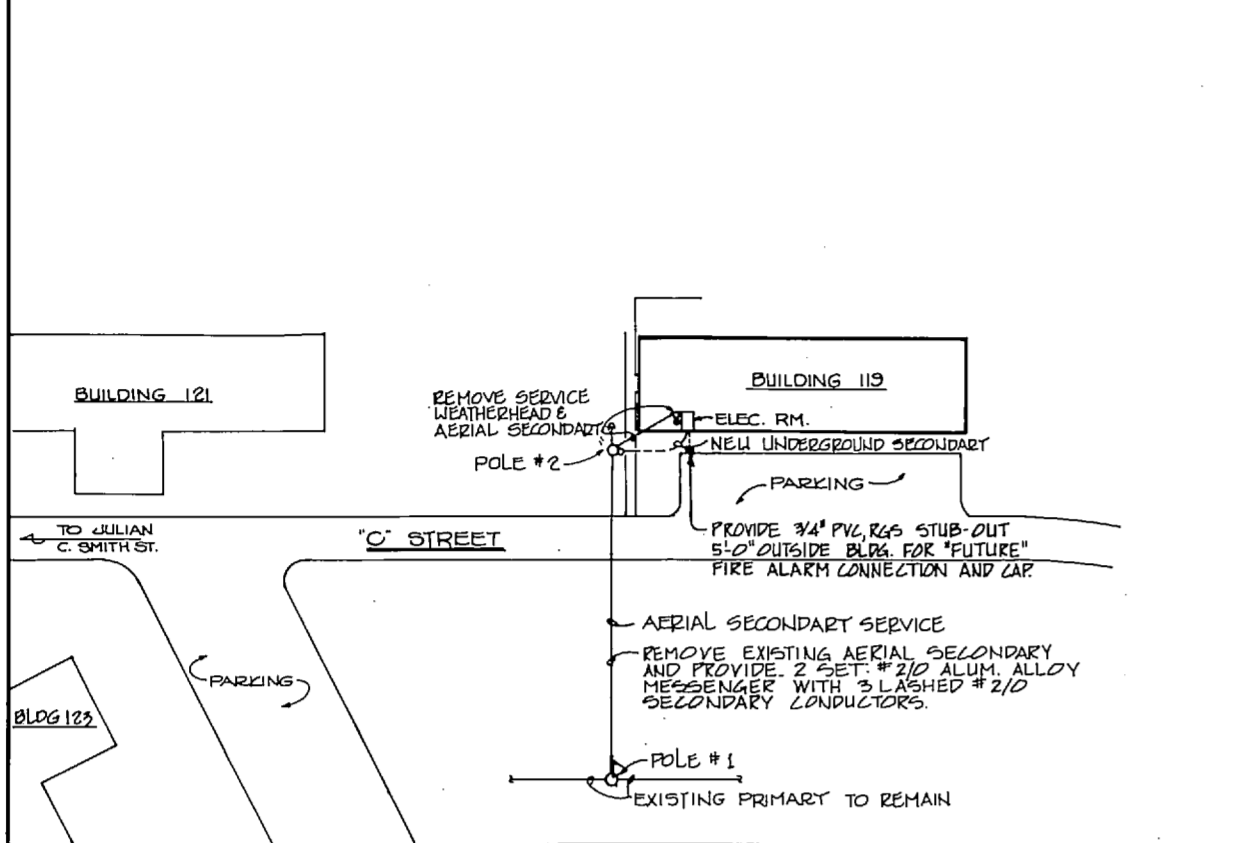


MCKIM & CREED ENGINEERS, P.A. 243 N. FRONT STREET WILMINGTON, NORTH CAROLINA		DEPARTMENT OF THE NAVY NAVAL FACILITIES ENGINEERING COMMAND <b>MARINE CORPS BASE</b> CAMP LEJEUNE, NORTH CAROLINA	
DES. T.F.C. DR. A.L.E.T.F.C. CHK. D.H.F. SUBMITTED BY: H.P. MCKIM, JR.		STRUCTURAL, ELECTRICAL, & MECHANICAL RENOVATIONS FOR BUILDINGS 119, 221, 421	
DESIGN NO. 722		BLDGs 119, 221, 421 - STEAM PIT - DEMOLITION	
APPROVED: P.W. OR GICC <i>Blane</i> 6-16-87	DATE	SIZE <b>F</b>	CONTRACT NO. NAVAC DRAWING NO. 4152940
SATISFACTORY TO:	DATE	80091	CONSTR. CONTR. NO. N62470-86-8-5438
SCALE: NOTED		SPIC. 05-86-5438	SHEET 10 OF 16





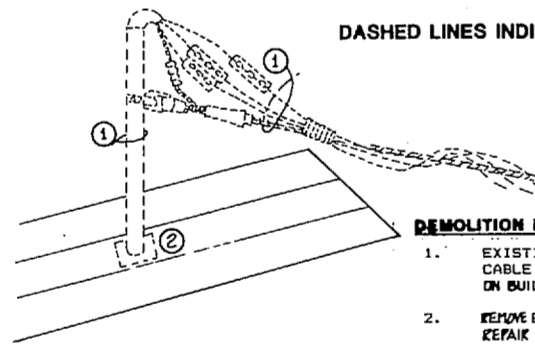
REVISIONS			
SYM.	DESCRIPTION	DATE	APPROVED



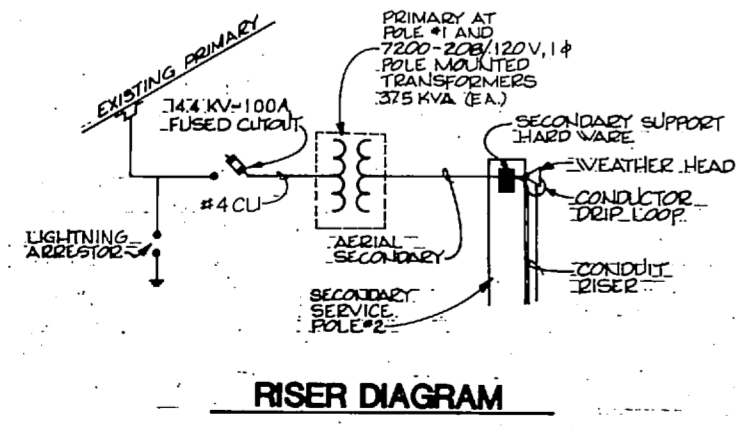
**SITE PLAN - BUILDING 119**  
SCALE: 1"=30' 0"

SITE PLAN FOR LOCATION ONLY. ALL DEMOLITION AND NEW WORK SHOWN ON DETAILS THIS SHEET.

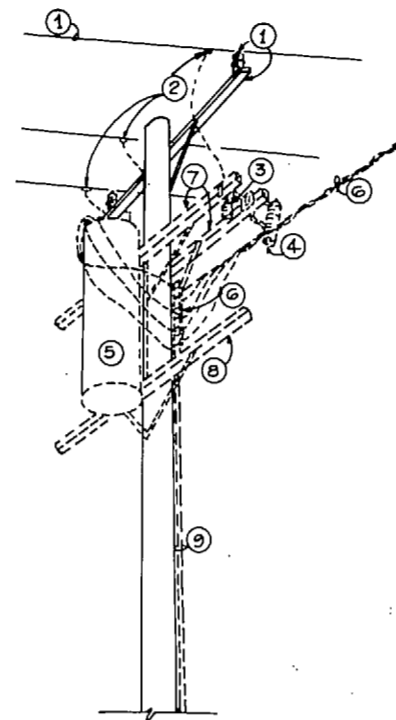
EXTERIOR LEGEND	
SYMBOL	DESCRIPTION
□	PAD MOUNTED TRANSFORMER
---	AERIAL ELECTRICAL SERVICE
---	UNDERGROUND ELECTRICAL SERVICE
---	UNDERGROUND DUCTBANK; PRIMARY SERVICE ENCASED IN CONCRETE
Δ	SERVICE WEATHERHEAD
○	POLE
○-○	POLE WITH LUMINAIRE
○-○	POLE WITH POLE MOUNTED TRANSFORMER
○-○	POLE WITH DOWN GUY
○-○	POLE WITH CONDUIT RISER



**DEMOLITION WORK FOR EXISTING SERVICE ENTRANCE (BUILDING 119)**

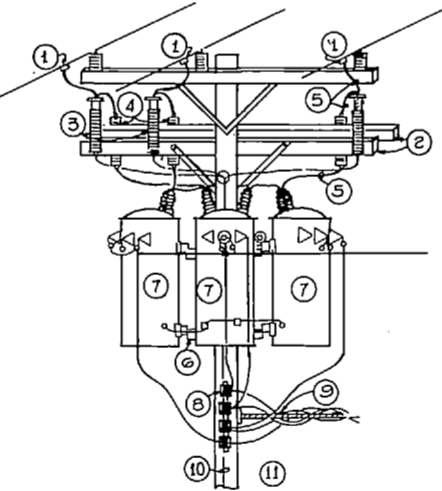


**RISER DIAGRAM**



**DEMOLITION WORK BUILDING 119**

**POLE #1 NOT TO SCALE**



**NEW WORK (BUILDING 119)**

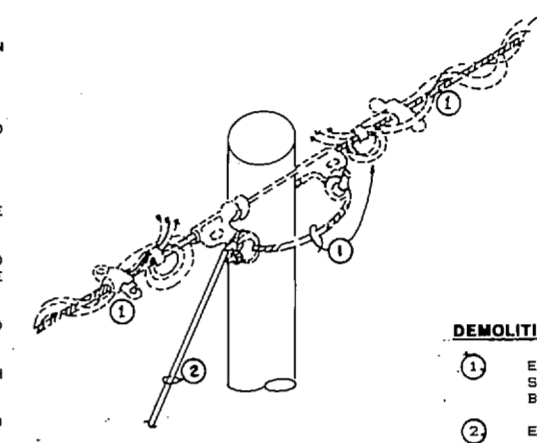
**POLE #1 NOT TO SCALE**

**DEMOLITION NOTES:**

- ① EXISTING AERIAL PRIMARY SERVICE, PIN INSULATORS AND CROSSARM TO REMAIN.
- ② EXISTING T-TAPS TO BE REMOVED.
- ③ EXISTING LIGHTNING ARRESTORS AND ASSOCIATED GROUNDING WIRE TO BE REMOVED.
- ④ EXISTING FUSED CUTOUTS TO BE REMOVED.
- ⑤ EXISTING 12,470 - 120/208 VOLT, 3 PHASE TRANSFORMER TO BE REMOVED.
- ⑥ EXISTING SECONDARY WIRING, SECONDARY RACK AND MESSENGER SUPPORT CABLE TO POLE #2 TO BE REMOVED.
- ⑦ EXISTING SECONDARY CROSSARMS WITH ASSOCIATED BRACES AND HARDWARE TO BE REMOVED.
- ⑧ EXISTING TRANSFORMER CROSSARM SUPPORT WITH ASSOCIATED HARDWARE TO BE REMOVED.
- ⑨ EXISTING EXPOSED CONDUIT RISER TO BE REMOVED AND WIRES PULLED.

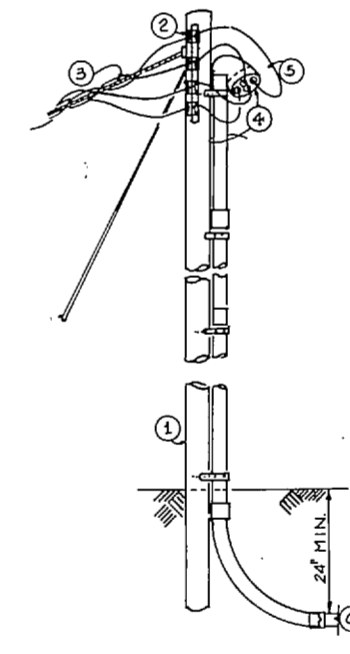
DASHED LINES INDICATE EXISTING TO BE REMOVED.

\* DELIVER EXISTING TRANSFORMER TO LOT 142 NOTIFY CONTRACTING OFFICER IN WRITING 10 DAYS PRIOR TO DELIVERY.



**DEMOLITION WORK BUILDING 119**

**POLE #2 NOT TO SCALE**



**NEW WORK BUILDING 119**

**POLE #2 NOT TO SCALE**

**NEW WORK NOTES:**

- ① PROVIDE NEW STIRRUPS & HOT LINE CLAMPS(4).
- ② PROVIDE NEW 10' CROSSARMS(2).
- ③ PROVIDE NEW LIGHTNING ARRESTORS(3).
- ④ PROVIDE NEW FUSED CUT OUTS, 100A RATED(3).
- ⑤ PROVIDE #4 BARE COPPER WIRE, TYPE HFC
- ⑥ PROVIDE NEW TRANSFORMER SUPPORT BRACKETS, POLE MTD.
- ⑦ PROVIDE NEW 37.5 KVA, 12470/7200-208/120V SINGLE PHASE TRANSFORMERS(3), DELTA CONNECTED PRIMARY WYE CONNECTED SECONDARY.
- ⑧ PROVIDE NEW DEAD END SECONDARY CONDUCTOR RACK.
- ⑨ PROVIDE NEW 2 SETS: #2/0 ALUMINUM-ALLOY MESSENGER WITH 3 LASHED #2/0 SECONDARY CONDUCTORS FROM POLE #1 TO POLE #2.
- ⑩ PROVIDE #6 BARE COPPER GROUND WIRE, WIREGUARD, HARDWARE, CONNECTION, ETC.
- ⑪ PROVIDE 3/4" X 10' COPPER CLAD GROUND ROD.

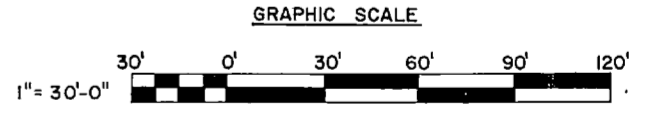
**DEMOLITION NOTES:**

- ① EXISTING SECONDARY WIRING WITH MESSENGER SUPPORT CABLE TO BE REMOVED FROM POLE #2 TO BUILDING 119 WEATHERHEAD.
- ② EXISTING GUY TO REMAIN.

DASHED LINES INDICATE EXISTING TO BE REMOVED.

**NEW WORK NOTES:**

- ① EXISTING POLE TO REMAIN
- ② PROVIDE NEW SECONDARY CONDUCTOR RACK
- ③ PROVIDE NEW #2/0 ALUMINUM ALLW/MESSENGER SUPPORT CABLE
- ④ PROVIDE NEW SECONDARY CONDUCTORS; 3-#2/0 QUADPLEX
- ⑤ PROVIDE 4" SERVICE WEATHERHEAD AND 4" RGS CONDUIT RISER
- ⑥ PROVIDE 3-500 MCM, 1-500 MCM N.#10 GND TYPE USE IN 4" RGS RISER
- ⑦ PROVIDE 4" PVC COATED RGS UNDERGROUND SECONDARY SERVICE ENTRANCE TO BUILDING 119 SERVICE ENTRANCE PANEL (SEE SHEET E-6).



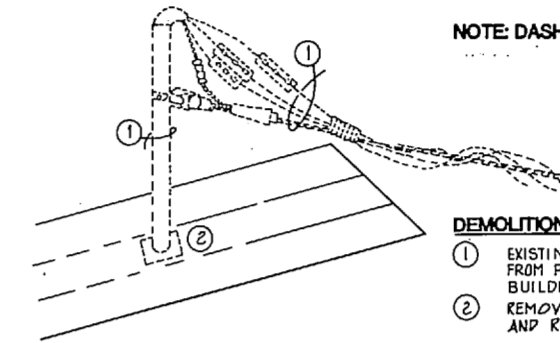
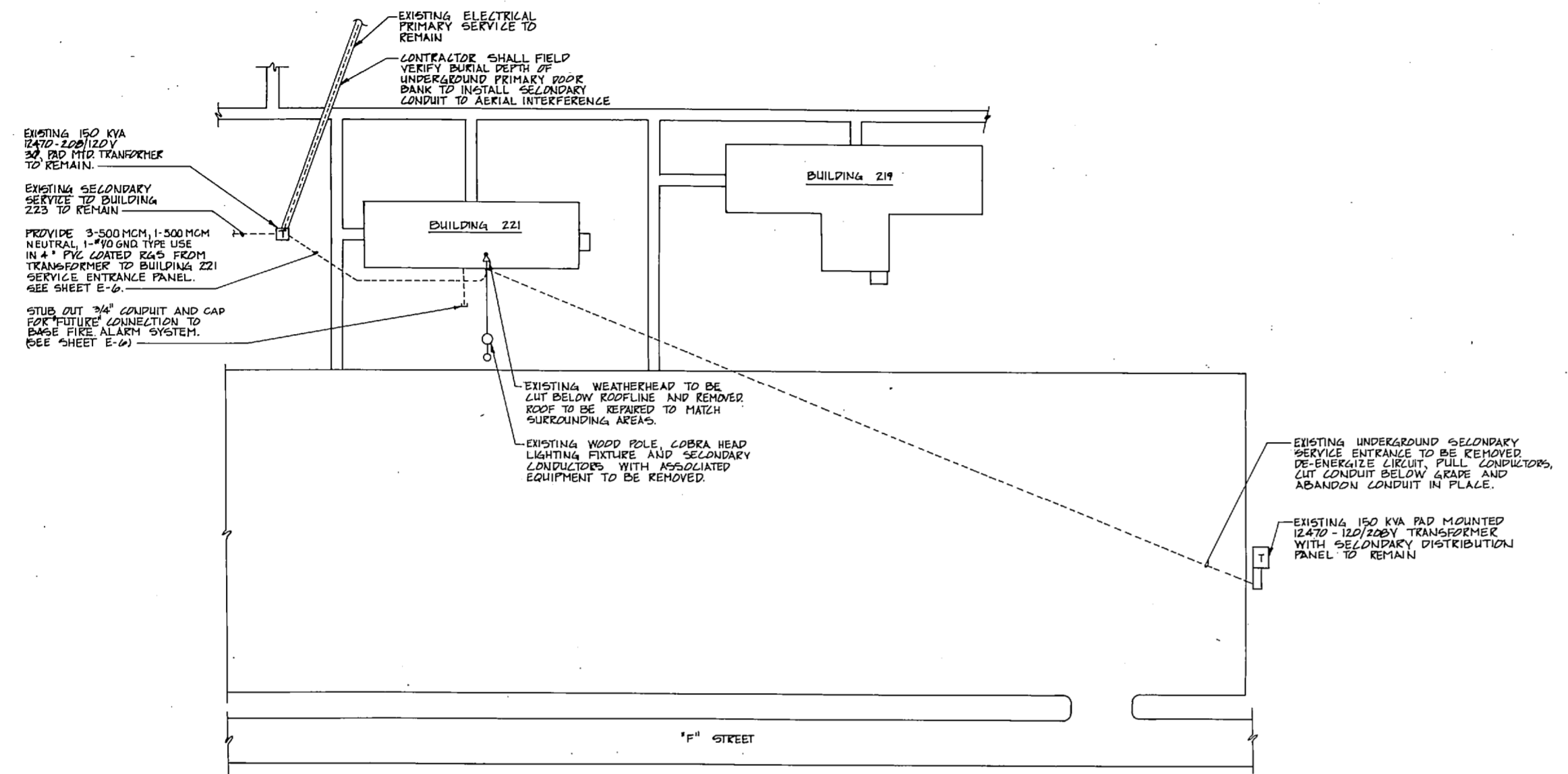
E-1

MCKIM & CREED ENGINEERS, P.A. 243 N. FRONT STREET WILMINGTON, NORTH CAROLINA		DEPARTMENT OF THE NAVY - NAVAL FACILITIES ENGINEERING COMMAND <b>MARINE CORPS BASE</b> CAMP LEFLORE, NORTH CAROLINA	
DESIGNER: GBH CHKR: DHT SUBMITTER BY: [Signature] DESIGN DATE: 7-26 APPROVER: PWD OR DHC DATE: 6-16-87		SITE - BLDG 119 NAVFAC DRAWING NO. 4152941 CONTRACT NO. N62470-86B-5438 SCALE: NOTED SPEC. 05-86-5438 SHEET 11 OF 16	
PROF. SEAL No. 12852 GAIL H. TINKLER REGISTERED PROFESSIONAL ENGINEER NORTH CAROLINA		STRUCTURAL, ELECTRICAL, & MECHANICAL RENOVATIONS FOR BUILDINGS 119, 221, 421	



AF 34372

REVISIONS			
SYM.	DESCRIPTION	DATE	APPROVED



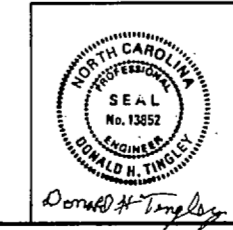
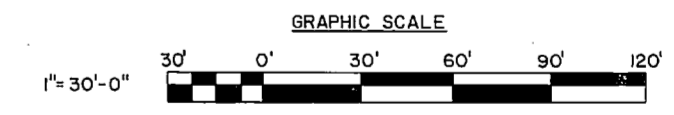
NOTE: DASHED LINES INDICATE EXISTING TO BE REMOVED

**DEMOLITION NOTES:**

- EXISTING SECONDARY WIRING AND MESSENGER SUPPORT CABLE FROM POLE #1 TO SERVICE ENTRANCE WEATHERHEAD ON BUILDING 221 TO BE REMOVED.
- REMOVE EXISTING WEATHERHEAD BELOW ROOFLINE AND REPAIR AND PATCH ROOF TO MATCH SURROUNDING AREAS.

**DEMOLITION WORK FOR EXISTING SERVICE ENTRANCE - BUILDING 221**  
NOT TO SCALE

**SITE PLAN - BUILDING 221**  
SCALE: 1"=30'-0"

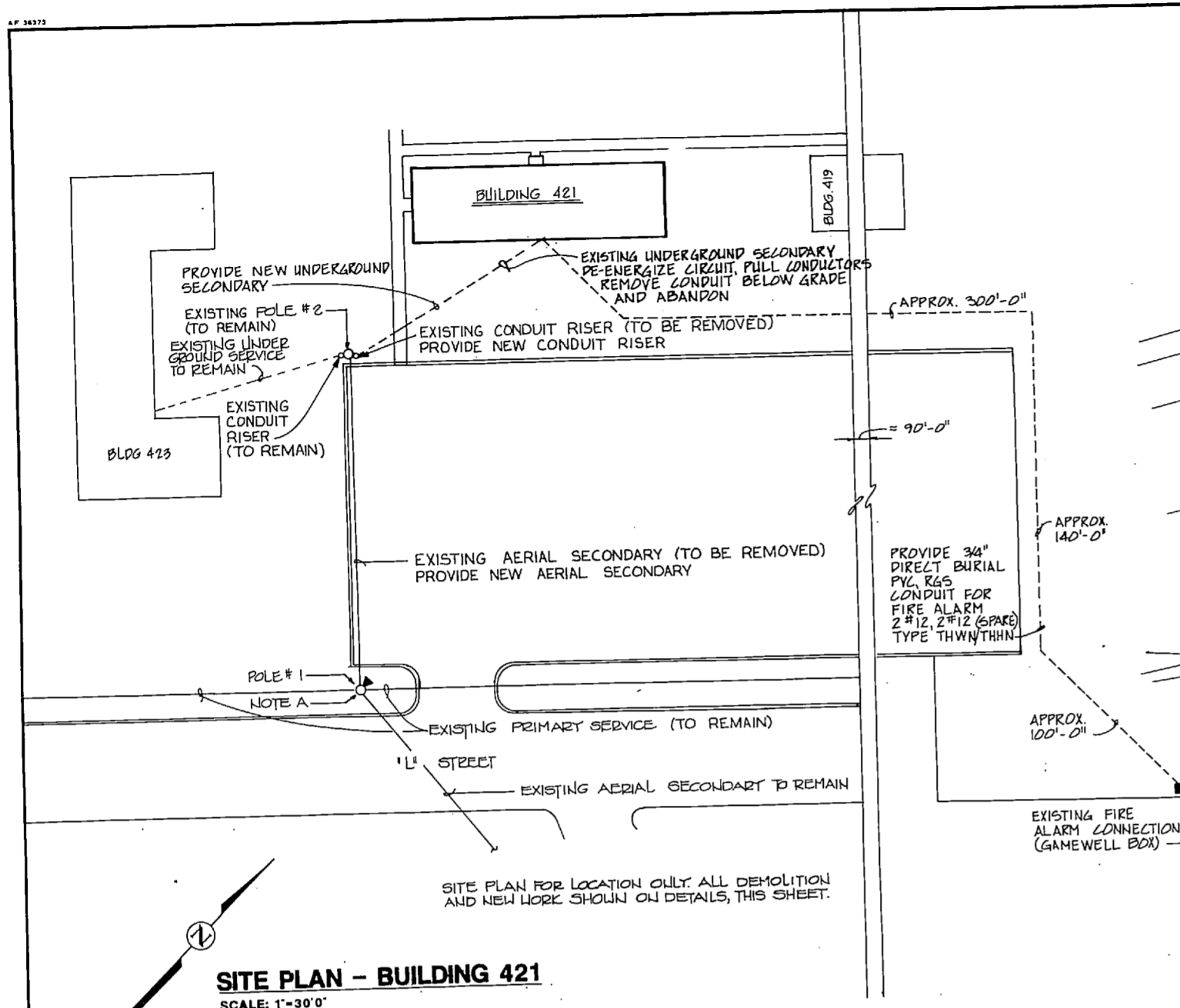


DEPARTMENT OF THE NAVY - NAVAL FACILITIES ENGINEERING COMMAND <b>MARINE CORPS BASE</b> CAMP LEJEUNE, NORTH CAROLINA		<b>E-2</b>	
MCKIM & CREED ENGINEERS, P.A. 243 N. FRONT STREET WILMINGTON, NORTH CAROLINA		STRUCTURAL, ELECTRICAL, & MECHANICAL RENOVATIONS FOR BUILDINGS 119, 221, 421 SITE - BLDG 221	
DES. GBH DR. JLF CHK. DHT SUBMITTED BY:	APPROVED: <i>[Signature]</i> DATE: 6-16-87	SIZE: <b>F</b> CODE (INVT. NO.): 80091	NAVFAC DRAWING NO.: 4152942 CONSTR. CONTR. NO. N62470-86-B-5438 SCALE: GRAPHIC SPEC. 05-86-5438   SHEET 12 OF 16

100

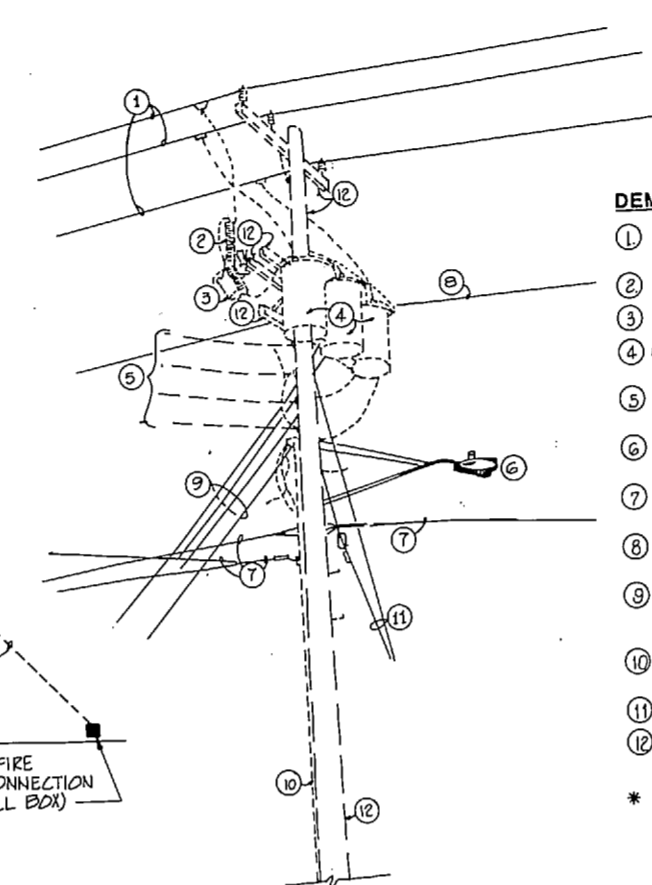


REVISIONS			
SYM.	DESCRIPTION	DATE	APPROVED



**SITE PLAN - BUILDING 421**  
SCALE: 1"=30'-0"

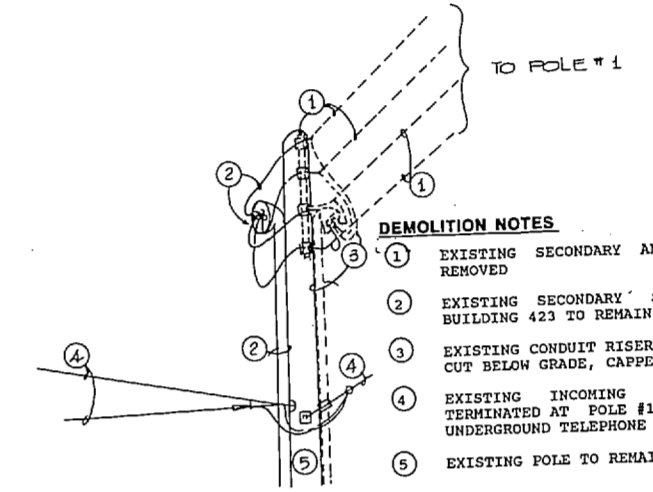
NOTE A: NEW POLE TO BE SET NEXT TO EXIST POLE (TO BE REMOVED).  
POLE #1: NEW POLE TO BE 40'-0", TYPE 3, CLASS C WOOD POLE.



**DEMOLITION WORK**  
NOTE: DASHED LINES INDICATE EXISTING TO BE REMOVED

**POLE #1**  
NOT TO SCALE

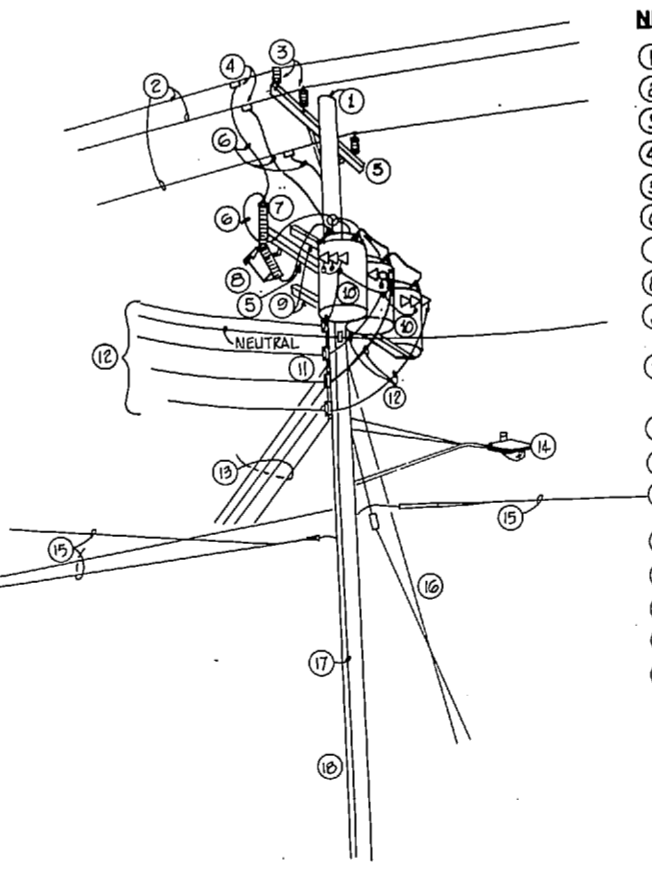
- DEMOLITION NOTES:**
- EXISTING PRIMARY SERVICE TO BE DISCONNECTED. TRANSFER CONNECTION TO NEW POLE.
  - EXISTING LIGHTNING ARRESTORS TO BE REMOVED.
  - EXISTING FUSED CUT OUTS TO BE REMOVED.
  - EXISTING 15 KVA, SINGLE PHASE, 12470-208/120V TRANSFORMERS TO BE REMOVED.
  - EXISTING SECONDARY.
  - EXISTING COBRA HEAD LIGHTING FIXTURE WITH ASSOCIATED HARDWARE TO BE DISCONNECTED. TRANSFER FIXTURE & CONNECTION TO NEW POLE.
  - EXISTING TELEPHONE CABLE TO BE DISCONNECTED. TRANSFER CONNECTION TO NEW POLE.
  - EXISTING NEUTRAL TO BE DISCONNECTED. TRANSFER CONNECTION TO NEW POLE.
  - EXISTING SECONDARY CONDUCTORS AND RACK SERVING BUILDINGS 442 AND 443 TO BE DISCONNECTED. SEE NEW WORK FOR CONNECTION TO NEW POLE.
  - EXISTING CONDUIT RISERS TO BE CUT BELOW GRADE, CAPPED AND REMOVED.
  - EXISTING GUY WIRES TO BE REMOVED, TRANSFER TO NEW POLE.
  - EXISTING POLE WITH CROSSARMS, BRACES AND INSULATORS TO BE REMOVED.
- \* DELIVER EXISTING TRANSFORMER TO LOT 140. NOTIFY CONTRACTING OFFICE IN WRITING 10 DAYS PRIOR TO DELIVERY.



- DEMOLITION NOTES**
- EXISTING SECONDARY AND SECONDARY RACK TO BE REMOVED
  - EXISTING SECONDARY SERVICE FROM POLE #1 TO BUILDING 423 TO REMAIN
  - EXISTING CONDUIT RISER SERVING BUILDING 421 TO BE CUT BELOW GRADE, CAPPED AND REMOVED
  - EXISTING INCOMING TELEPHONE SERVICE TO BE TERMINATED AT POLE #1. SEE NEW WORK PLAN FOR NEW UNDERGROUND TELEPHONE SERVICE
  - EXISTING POLE TO REMAIN

**DEMOLITION WORK**  
NOTE: DASHED LINES INDICATE EXISTING TO BE REMOVED

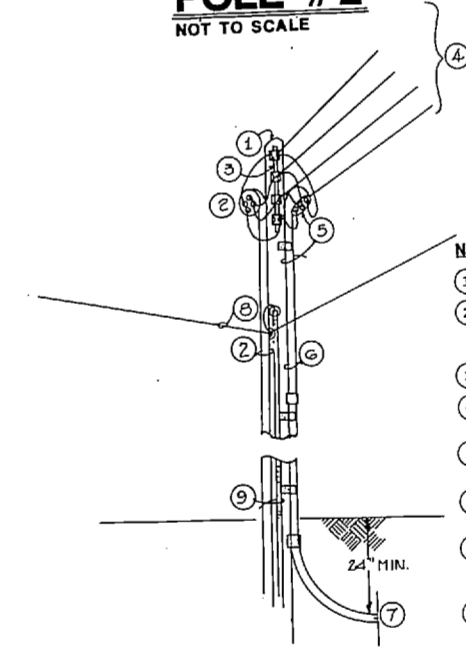
**POLE #2**  
NOT TO SCALE



**NEW WORK**

**POLE #1**  
NOT TO SCALE

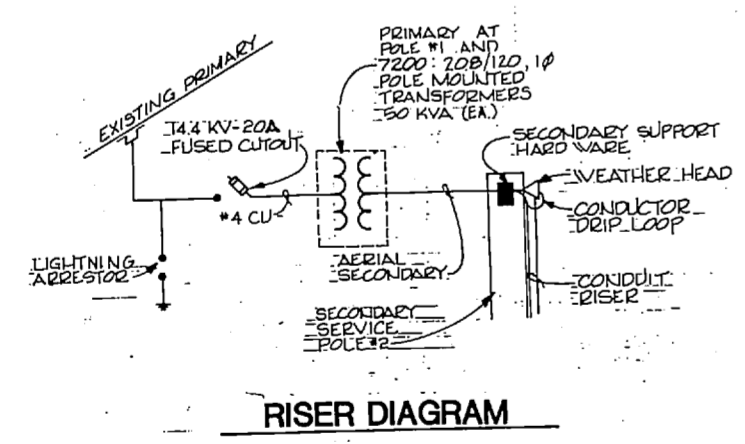
- NEW WORK NOTES:**
- PROVIDE NEW WOOD POLE, TYPE 3, CLASS C, 40'
  - EXISTING PRIMARY TO BE RECONNECTED
  - PROVIDE NEW PIN TOP INSULATORS (3).
  - PROVIDE NEW STIRRUPS & HOT LINE CLAMPS (3).
  - PROVIDE 10' WOOD CROSSARM WITH STEEL ANGLE BRACE (2).
  - PROVIDE #4 BARE COPPER WIRE, TYPE HP
  - PROVIDE NEW LIGHTNING ARRESTORS (3).
  - PROVIDE NEW FUSED CUTOUTS, 100A RATED (3).
  - PROVIDE TWO NEW 8" WOOD CROSSARMS FOR TRANSFORMER SUPPORT, CLUSTER MID.
  - PROVIDE NEW 12470/7200-208/120V, 30 KVA SINGLE PHASE TRANSFORMER (3), DELTA CONNECTED PRIMARY, WYE CONNECTED SECONDARY.
  - PROVIDE TWO NEW SECONDARY RACKS.
  - PROVIDE 4-250 MCM CONDUCTORS TO POLE #2.
  - RECONNECT SECONDARY CONDUCTORS TO BUILDINGS 442 AND 443.
  - EXISTING COBRA HEAD LIGHTING FIXTURE TO BE RECONNECTED.
  - EXISTING TELEPHONE CABLE TO BE RECONNECTED.
  - EXISTING GUYS TO BE RECONNECTED.
  - PROVIDE #6 SOFT DRAWN COPPER GROUND WIRE.
  - PROVIDE 3/4" X 10' COPPER GROUND ROD.



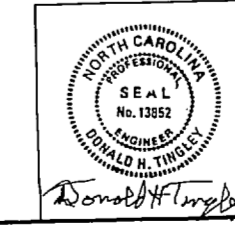
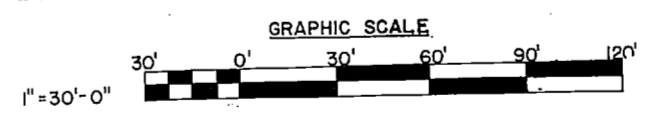
- NEW WORK NOTES**
- EXISTING POLE TO REMAIN
  - EXISTING SERVICE TO BUILDING 423 TO REMAIN (RECONNECT TO NEW SECONDARY FROM POLE #1)
  - PROVIDE DEAD END SECONDARY RACK
  - PROVIDE 3-250 MCM, 1-250 MCM NEUTRAL
  - PROVIDE 4" SERVICE WEATHERHEAD AND 4" RGS CONDUIT RISER
  - PROVIDE 3-500 MCM, 1-500 MCM NEUTRAL, AND 1-3/4" GND TYPE USE IN 4" RGS.
  - PROVIDE 4" PVC COATED RGS CONDUIT TO BUILDING 421
  - EXISTING TELEPHONE CABLE AND CONNECTION TO BUILDING 423 TO REMAIN
  - PROVIDE 1" SERVICE WEATHERHEAD AND 1" RGS RISER FOR UNDERGROUND TELEPHONE SERVICE TO 5' OUTSIDE OF BUILDING

**NEW WORK**

**POLE #2**  
NOT TO SCALE



**RISER DIAGRAM**



McKIM & CREED ENGINEERS, P.A. 243 N. FRONT STREET WILMINGTON, NORTH CAROLINA		DEPARTMENT OF THE NAVY NAVAL FACILITIES ENGINEERING COMMAND	
		<b>MARINE CORPS BASE</b> CAMP LEJEUNE, NORTH CAROLINA	
DES. GBH DR. JLF CHK. DHT		<b>STRUCTURAL, ELECTRICAL, &amp; MECHANICAL RENOVATIONS FOR BUILDINGS 119, 221, 421</b>	
SUBMITTED BY: <i>[Signature]</i>		SITE - BLDG 421	
APPROVED: <i>[Signature]</i>	DATE: 6-16-87	SIZE: F	CODE IDENT. NO.: 80091
SATISFACTORY TO: <i>[Signature]</i>		DATE:	NAVFAC DRAWING NO.: 4152943
		SCALE: GRAPHIC	SPEC: 05-86-5438
			SHEET 13 OF 16



ELECTRICAL LEGEND - INTERIOR

Table with columns: DEMOLITION SYMBOL, NEW WORK SYMBOL, DESCRIPTION. Lists various electrical symbols and their corresponding descriptions.

FIXTURE SCHEDULE

Table with columns: FIXTURE SYMBOL, STYLE AND TYPE-SEE SPEC. FOR NAVFAC SKETCH NO., NUMBER AND TYPE OF LAMPS, VOLTS, MOUNTING, REMARKS. Lists fixture models like NL-47, NL-3, NL-12, NL-70.

ABBREVIATIONS

Table listing abbreviations for ceiling, ceiling, air handling unit, electric water cooler, etc.

REVISIONS

Table with columns: SYM., DESCRIPTION, DATE, APPROVED. Revision tracking table.

Technical drawing for fixture NL-3. Includes sketch of the fixture, dimensions, and detailed LUMINAIRE REQUIREMENTS text.

Technical drawing for fixture NL-12. Includes sketch of the fixture, dimensions, and detailed LUMINAIRE REQUIREMENTS text.

Technical drawing for fixture NL-70. Includes sketch of the fixture, dimensions, and detailed LUMINAIRE REQUIREMENTS text.

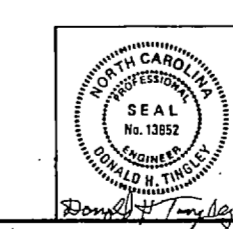
Technical drawing for fixture NL-47. Includes sketch of the fixture, dimensions, and detailed LUMINAIRE REQUIREMENTS text.

FIXTURE PLATE DETAILS

Technical drawing for fixture NL-70. Includes sketch of the fixture, dimensions, and detailed LUMINAIRE REQUIREMENTS text.

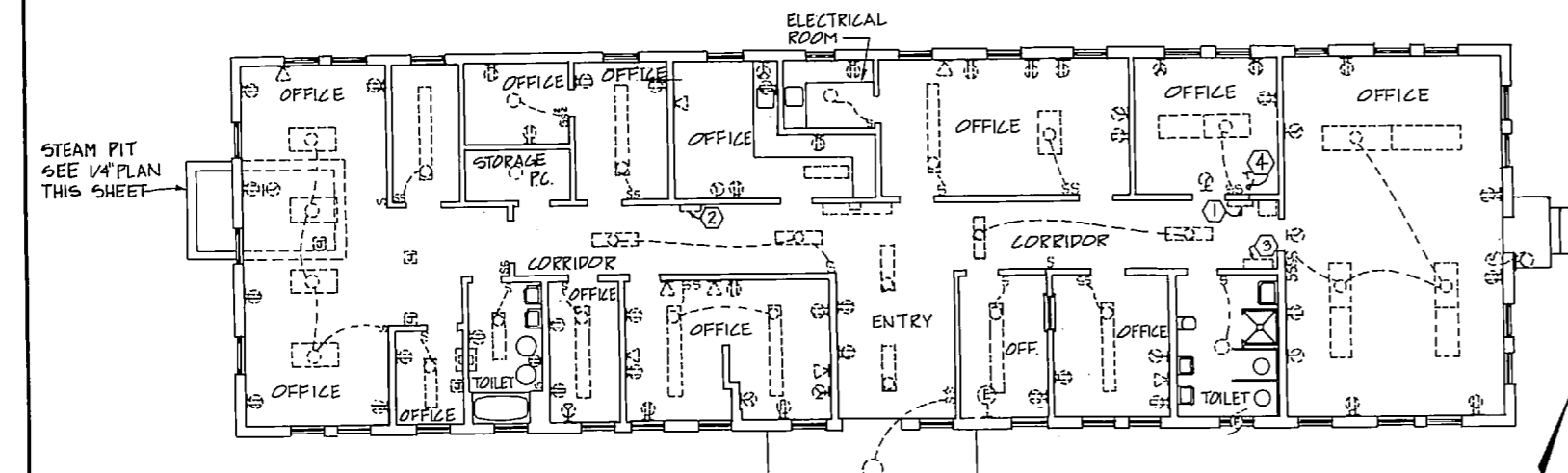
GENERAL NOTES: 1. THE EXISTING ELECTRICAL SYSTEM CONSISTS OF WIRE INSTALLED IN CONCEALED AND EXPOSED RIGID STEEL CONDUIT (RGS), ELECTRICAL METALLIC TUBING (EMT), NMC CABLE, ETC.

Project information block including: DEPARTMENT OF THE NAVY, MARINE CORPS BASE, STRUCTURAL, ELECTRICAL & MECHANICAL RENOVATIONS FOR BLDGS. 119, 221 & 421, LEGEND AND SCHEDULE, NAVFAC DRAWING NO. 4152944.



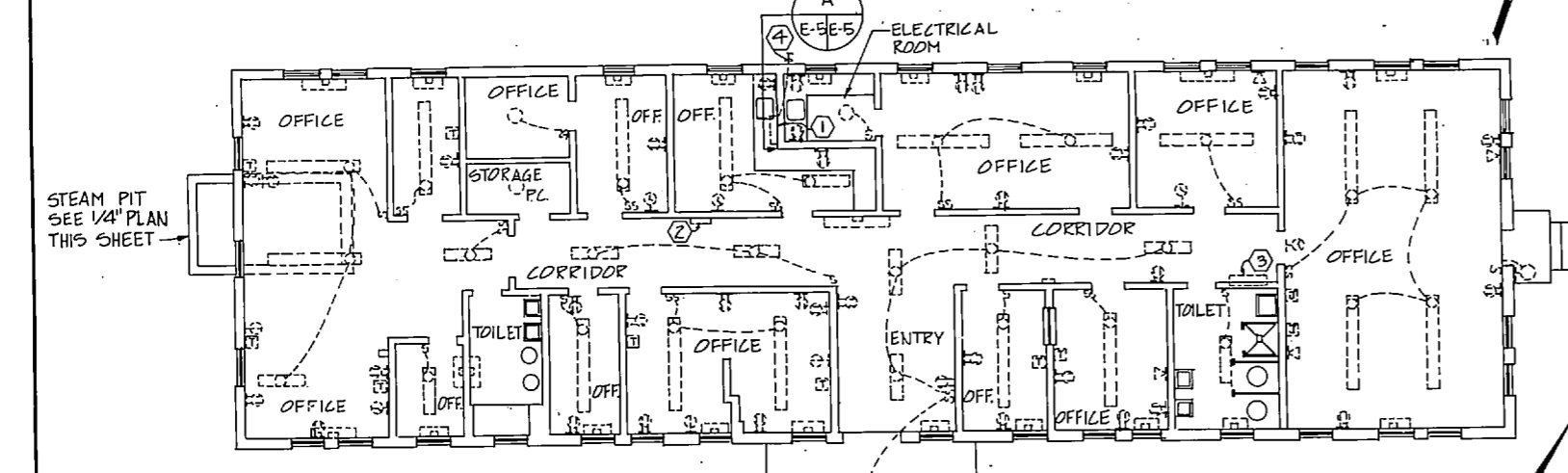


REVISIONS			
NO.	DESCRIPTION	DATE	APPROVED



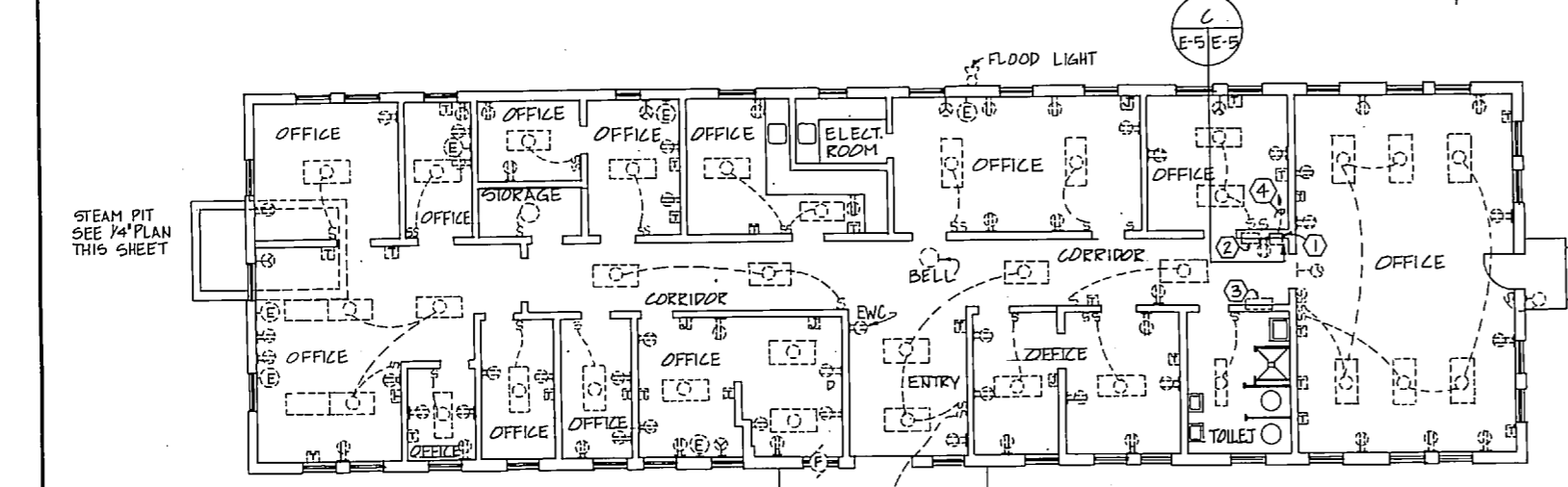
NOTE: DE-ENERGIZE ALL CIRCUITS. REMOVE ALL CONDUCTORS, RACEWAY AND ELECTRICAL EQUIPMENT, U.N.O.

**BUILDING 119 - DEMOLITION**  
SCALE: 1/8" = 1'-0"



NOTE: DE-ENERGIZE ALL CIRCUITS. REMOVE ALL CONDUCTORS, RACEWAY AND ELECTRICAL EQUIPMENT, U.N.O.

**BUILDING 221 - DEMOLITION**  
SCALE: 1/8" = 1'-0"

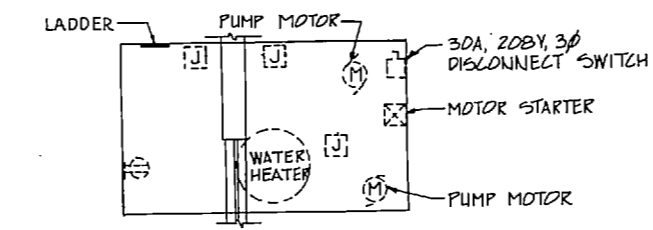


NOTE: DE-ENERGIZE ALL CIRCUITS. REMOVE ALL CONDUCTORS, RACEWAY AND ELECTRICAL EQUIPMENT, U.N.O.

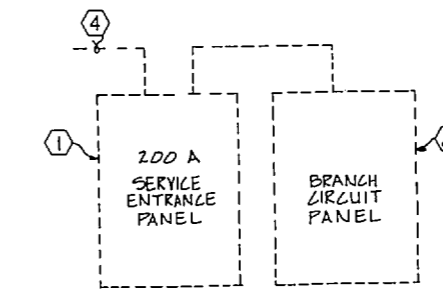
**BUILDING 421 - DEMOLITION**  
SCALE: 1/8" = 1'-0"

**DEMOLITION NOTES THIS SHEET**

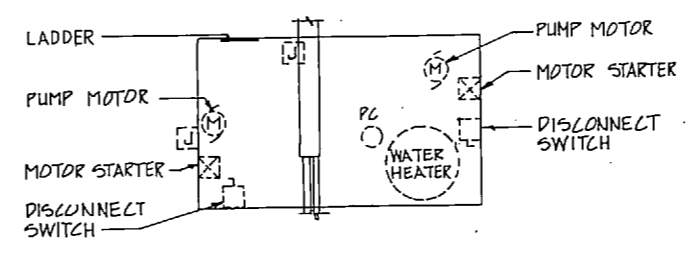
- 1 REMOVE EXISTING MAIN DISTRIBUTION PANELBOARD. SEE DEMOLITION RISEE THIS SHEET.
- 2 REMOVE EXISTING BRANCH CIRCUIT PANELBOARD. SEE DEMOLITION RISER THIS SHEET.
- 3 REMOVE EXISTING TELEPHONE MAIN DISTRIBUTION CABINET(S).
- 4 REMOVE EXISTING SECONDARY SERVICE. SEE SITE PLAN FOR CONTINUATION.



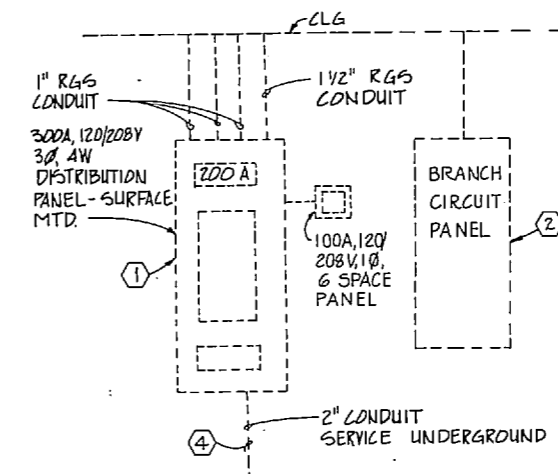
**BUILDING 119  
STEAM PIT  
DEMOLITION**  
SCALE: 1/4" = 1'-0"



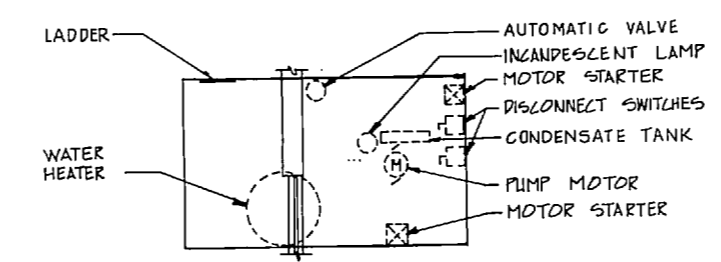
**BUILDING 119  
RISER DIAGRAM  
DEMOLITION**  
NOT TO SCALE



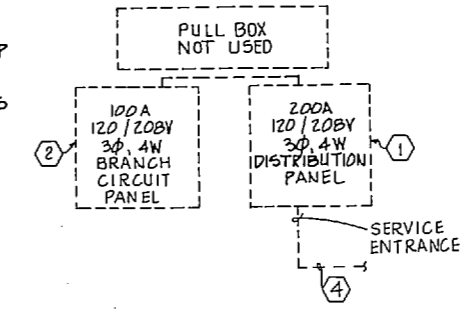
**BUILDING 221  
STEAM PIT  
DEMOLITION**  
SCALE: 1/4" = 1'-0"



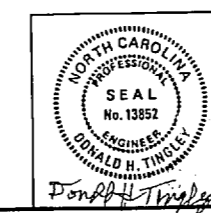
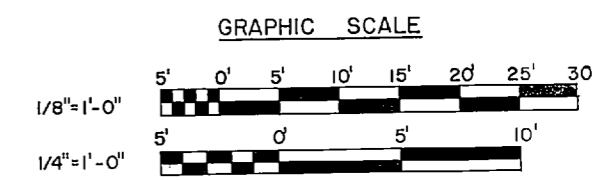
**ELEVATION  
NOT TO SCALE**



**BUILDING 421  
STEAM PIT  
DEMOLITION**  
SCALE: 1/4" = 1'-0"



**ELEVATION  
NOT TO SCALE**



MCKIM & CREED ENGINEERS, P.A. 243 N. FRONT STREET WILMINGTON, NORTH CAROLINA		DEPARTMENT OF THE NAVY <b>MARINE CORPS BASE</b> CAMP LEJEUNE, NORTH CAROLINA	
DES. GBH	CHK. DTH	<b>STRUCTURAL, ELECTRICAL, &amp; MECHANICAL RENOVATIONS FOR BLDGS. 119, 221 &amp; 421</b>	
SUBMITTED BY: <i>JLC</i> APPROVED: PWD OR DICG DATE: 6-16-87		CODE IDENT. NO. <b>80091</b>	NAVFAC DRAWING NO. 4152945
SATISFACTORY TO: <i>Donna L. Wright</i>		SCALE: GRAPHIC, SPEC. 05-86-5438	SHEET 15 OF 16





