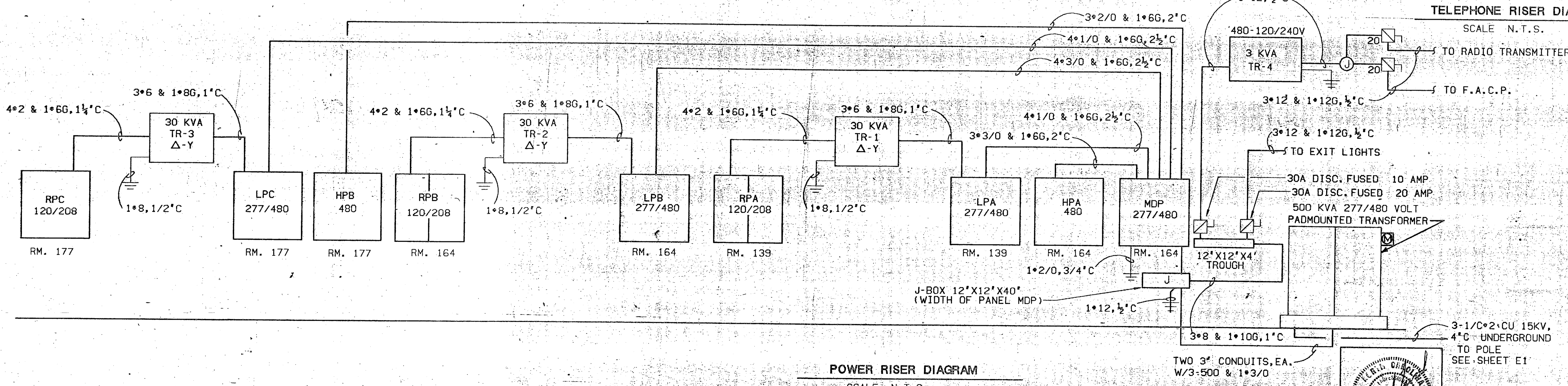
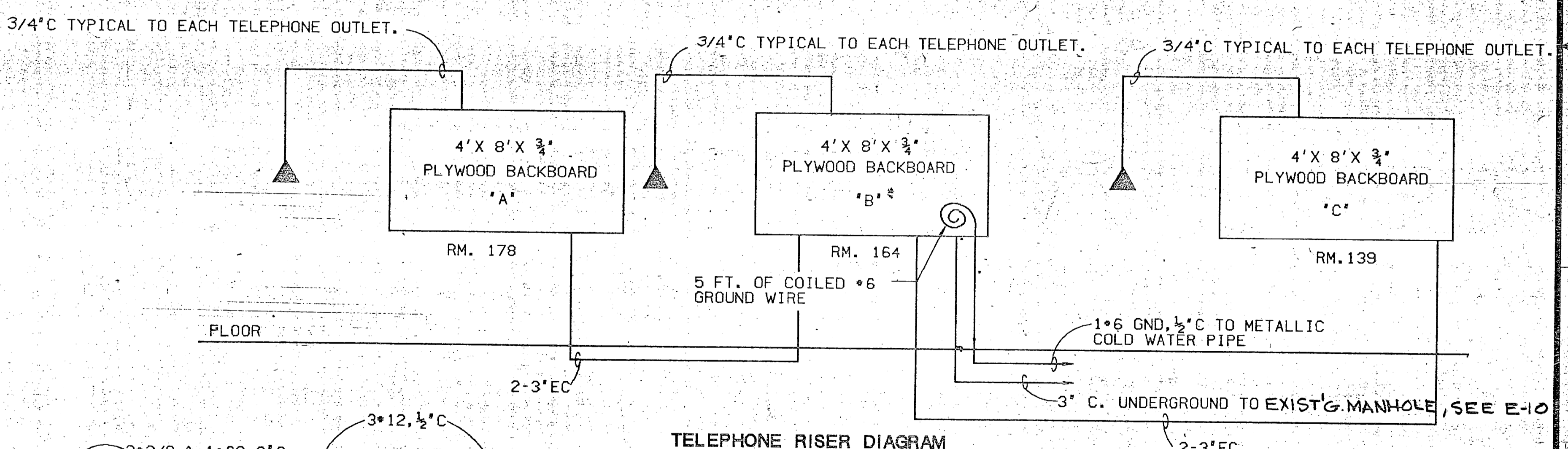
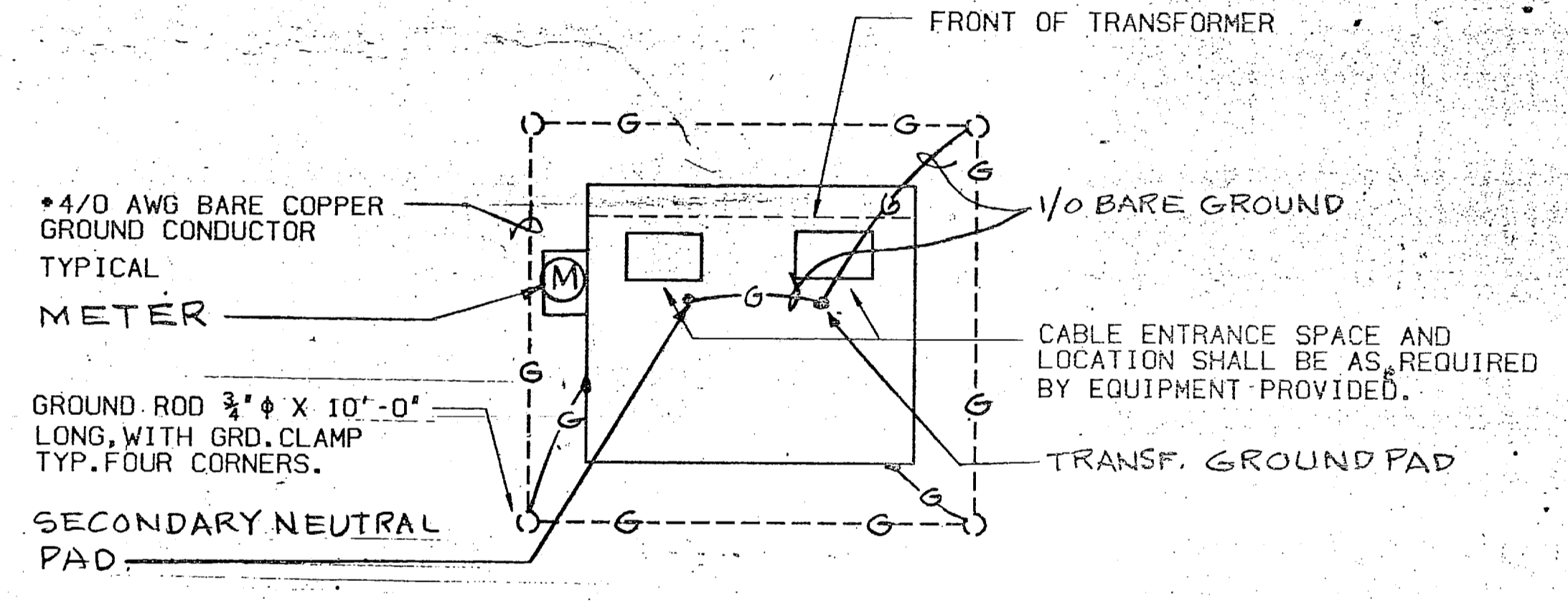
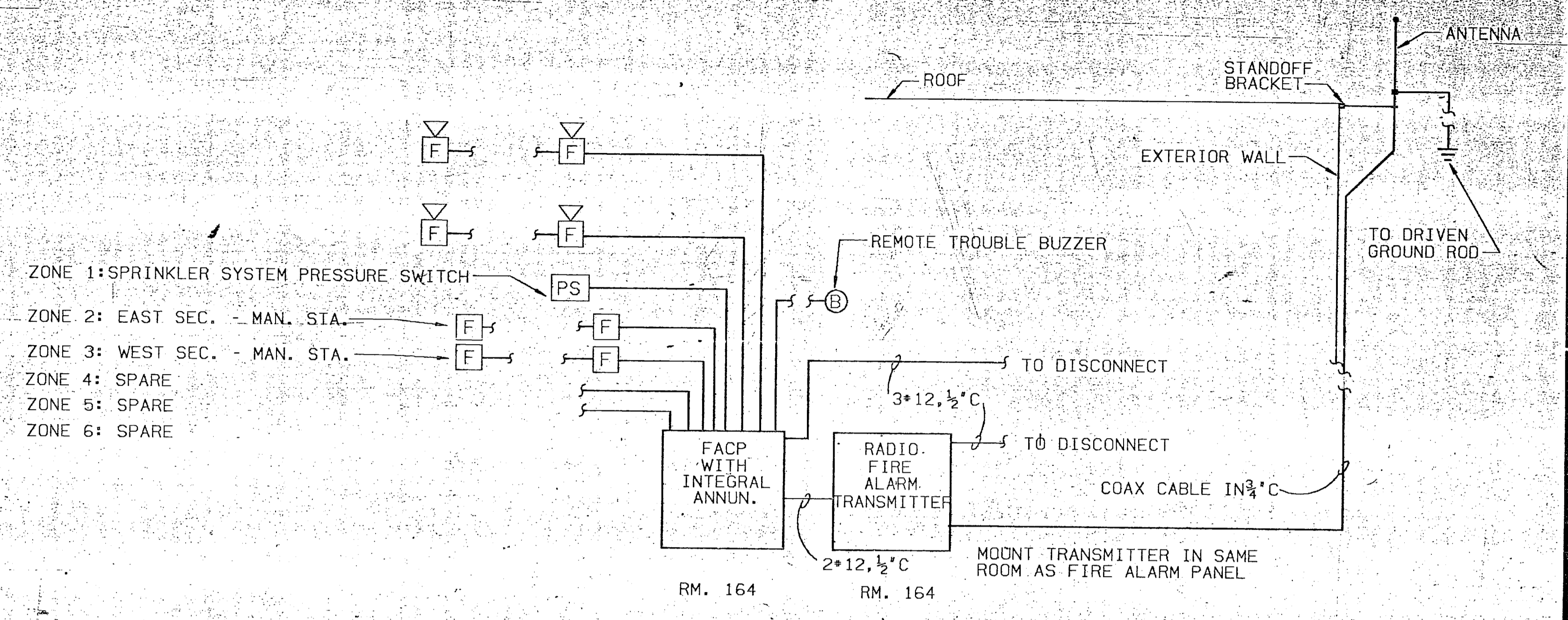
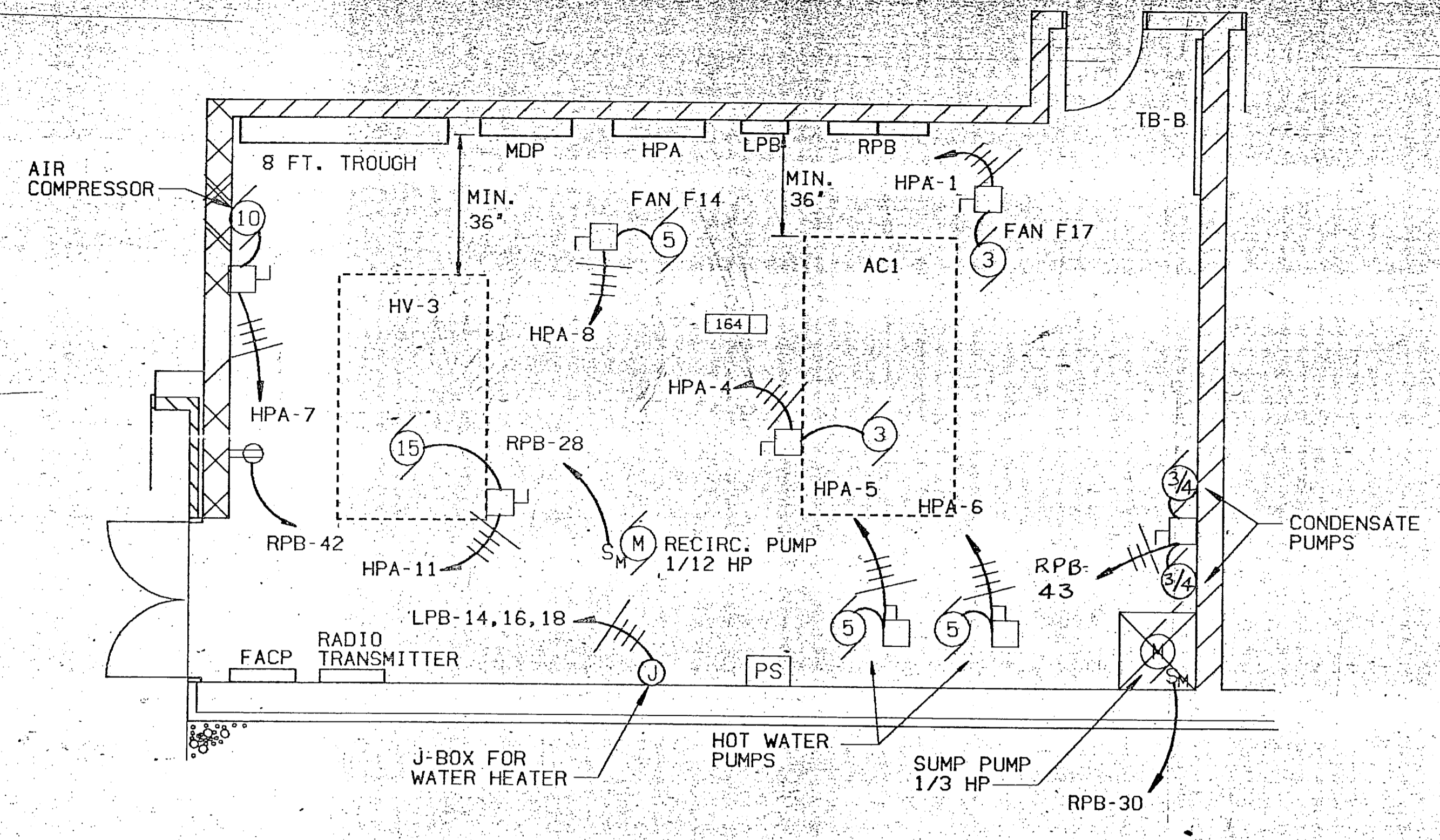


| REVISIONS | | | | |
|-----------|-------------|-----------|------|----------|
| SYM | DESCRIPTION | PREP'D BY | DATE | APPROVED |
| | | | | |



E7

| | |
|--|--|
| Clark Tribble Harris & Li ARCHITECTS Charlotte, North Carolina ARCHITECTS/ENGINEERS EFO DWG NO. 255995 JOB ORDER NO. 5F5148 STA PROJ NO. P-643 DES KGP DRWG MLE PROJ MGR DMW CH ARCH/ENGR TDB | DEPT. OF THE NAVY NAVAL FACILITIES ENGINEERING COMMAND CHARLOTTE, NORTH CAROLINA ARCHITECTS/ENGINEERS MARINE CORPS BASE CAMP LEJUNE, N.C. ELECTRONIC COMMUNICATIONS/ VEHICLE MAINTENANCE SHOPS (P-643) DETAILS, PLANS AND RISERS |
| APPROVED DATE DIRECTOR NAVELEX REF DWG NO. | APPROVED DATE DESIGNER DATE ACTIVITY - SATISFACTORY TO FOR PER FOR COMMANDER NAVFAC |
| NAVAYC DRAWING NO. 4156985 | CONSTR. CONTR. NO. - 462470-85-B-5148 |
| SCALE: NTS | SPEC. 05-95-5148 |

SHEET 61 OF 67

