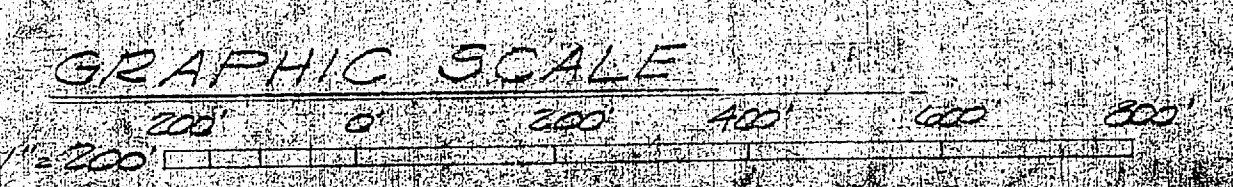


GENERAL NOTES

1. REPLACE ALL STM & COND PIPE THRU PITS INCLUDING VALVES, FITTINGS, DRIP TRAP ASSEMBLIES, PIPING TO STM EJECTORS & STEAM EJECTORS.
2. STATIONS AT BLOC PITS ARE AT OUTSIDE FACES OF PITS.
3. ALL UNDERGROUND ELECTRICAL, TELEPHONE & FIRE ALARM CABLES SHALL BE PROTECTED BY SUPPORTING IN AN ENCLOSED BOX OR CHANNEL. RELOCATIONS REQUIRING SPLICING WILL BE DONE BY THE GOVERNMENT UPON NOTIFICATION.
4. SUPPORT TELEPHONE & POWER POLES LOCATED WITHIN 10 FT OF TRENCH PRIOR TO DIGGING.
5. ALL BENDS & LOOPS SHALL BE COLD SPRUNG 50%. CREDIT FOR COLD SPRING WILL NOT BE TAKEN IN STRESS EVALUATION.
6. FOR LOCATION OF GUIDES IN LOOPS & BENDS, SEE SCHEDULES FOR LOOPS & BENDS ON NAVFAC DWG NO 401880.
7. EXCAVATION IN IMMEDIATE VICINITY OF UNDERGROUND UTILITIES SHALL BE BY HAND.
8. EXIST TOBES ARE TO REMAIN UNLESS NOTED 'REMOVE', OR AS DIRECTED BY THE OFFICER IN CHARGE.
9. BASIS FOR DESIGN OF LOOPS & BENDS: STM 2.83" EXPAN/100 FT COND 2.40" EXPAN/100 FT.
10. EXTEND ALL CONDUIT VENTS UP TO BOTTOM OF MANHOLE COVER.
11. REMOVE EXIST CONDENSATE LINE & INSTALL NEW STEAM LINE IN ITS PLACE. AFTER TESTING & CHATTING IN NEW STEAM LINE REMOVE OLD STEAM LINE & INSTALL NEW CONDENSATE LINE IN ITS PLACE. STEAM OUTAGE FOR ANY ONE BLOC SHALL BE LIMITED TO ONE DAY OUTAGES SHOULD NORMALLY NOT EXCEED 48 HOURS.
12. INSULATE ALL STM & COND PIPING IN PITS.
13. FOR ASSISTANCE IN LOCATING UNDERGROUND TEL & ELEC. CABLES CALL 2551 (BASE TEL)



LEGEND

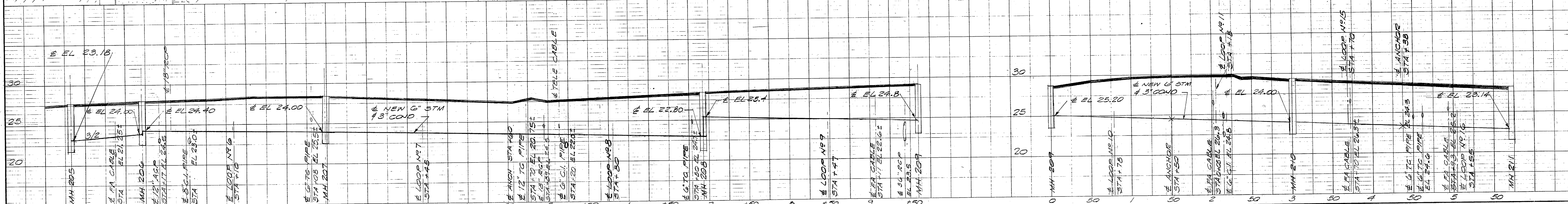
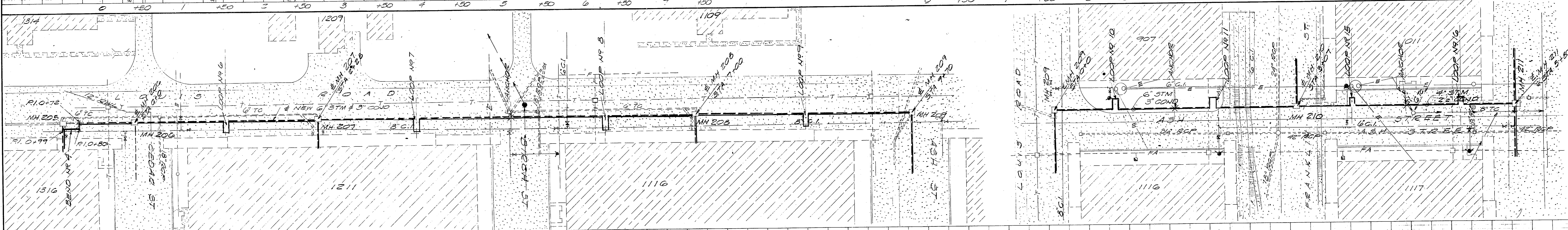
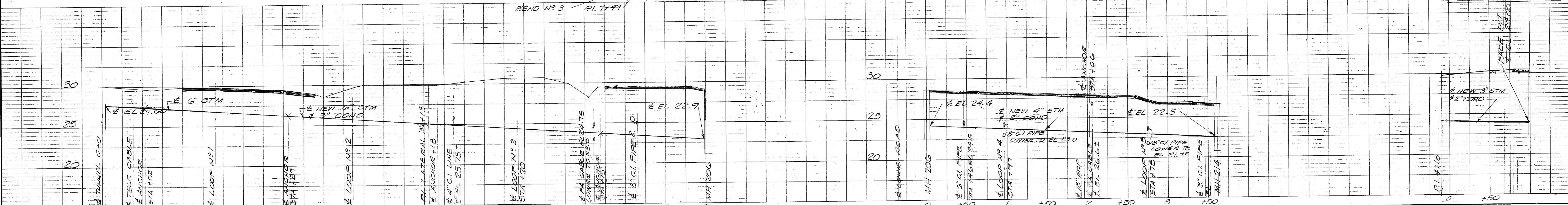
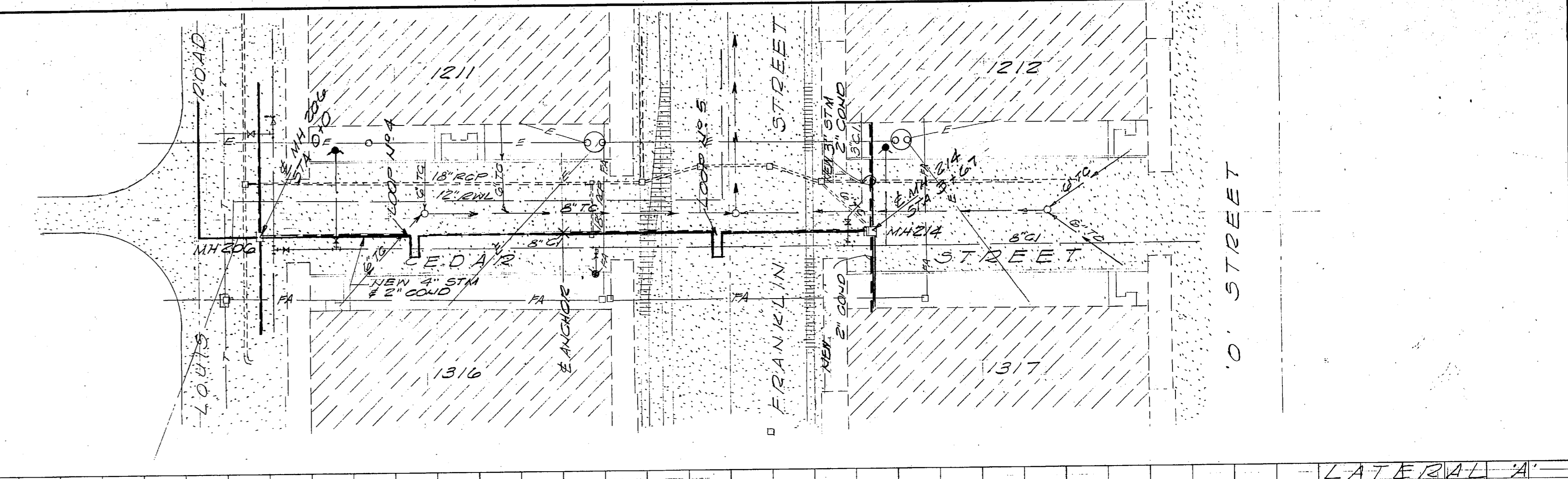
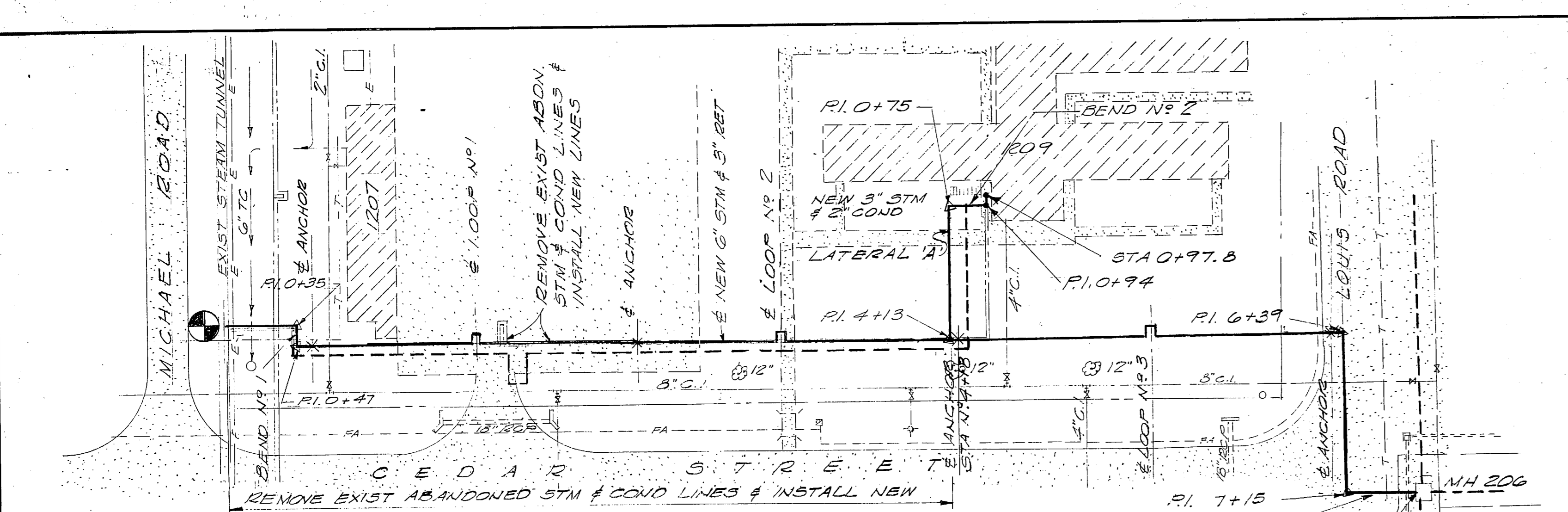
- EXIST ROADS-PARKING AREAS
- EXIST CONC WALKS
- EXIST BUILDINGS
- EXIST SANITARY SEWER
- EXIST WATER LINE
- EXIST ABANDONED STEAM LINE
- EXIST ABANDONED CONDENSATE LINE
- EXIST UG TELEPHONE LINE
- EXIST UG ELECTRICAL CABLE
- EXIST STEAM GRAPH
- EXIST UG FIRE ALARM CABLE
- EXIST INDIVIDUAL TREE
- EXIST UG STM & COND LINES TO BE REMOVED
- NEW UG STM & COND LINES
- EXIST UG STM & COND LINES TO BE REMOVED & NEW STM & COND LINES INSTALLED AT SAME LOCATION

DRAWING INDEX

NAVFAC DWS NO	TITLE
401879	PLOT PLAN
401880	PLAN & PROFILE
401881	PLAN & PROFILE
401882	PIT PIPING DETAILS
401883	PIT PIPING DETAILS

REVISIONS			
SYM	DESCRIPTION	DATE	APPROVED

PUBLIC WORKS DEPT. MARINE CORPS BASE CAMP LEJUNE, N.C.		DEPARTMENT OF THE NAVY NAVAL FACILITIES ENGINEERING COMMAND ATLANTIC DIVISION MARINE CORPS BASE, CAMP LEJUNE, N.C.	
DESIGNED BY: [Signature]		PROJECT ENGINEER: [Signature]	
APPROVED BY: [Signature]		DATE: 12/7/52	
PUBLIC WORKS OFFICER		SATISFACTORY TO: [Signature]	
COMMANDING GENERAL		SIZE	CODE IDENT NO
EFD		F	80091
NO		NAVFAC DRAWING NO 401879	
APPROVED BY: [Signature]		CONSTR CONTR NO N62470-76-B-0703	
FOR COMMANDER, NAVFAC		SCALE	SPEC 05-76-0703
		SHEET 1 OF 5	

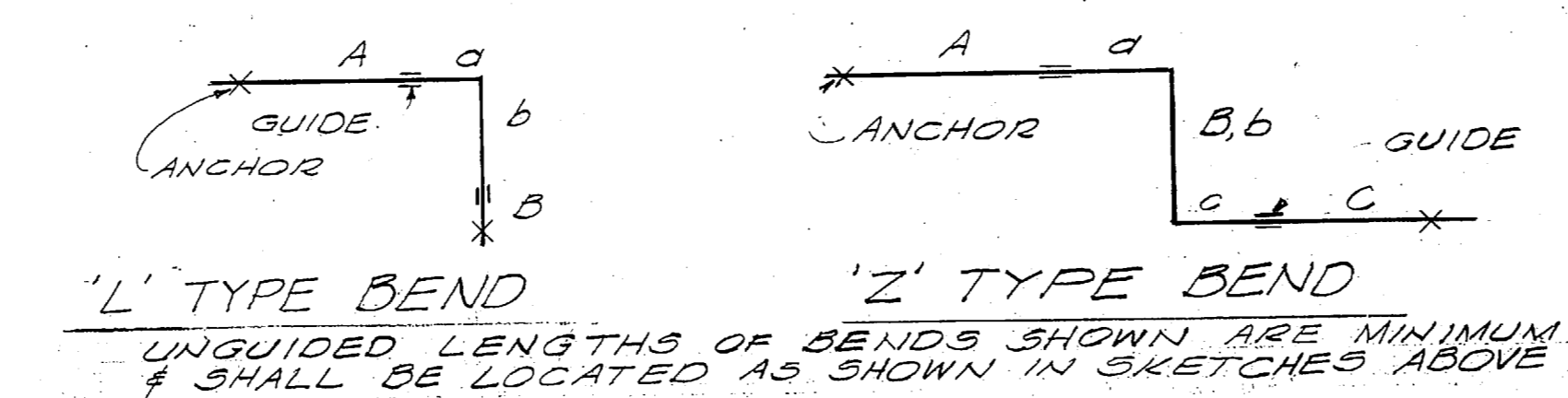
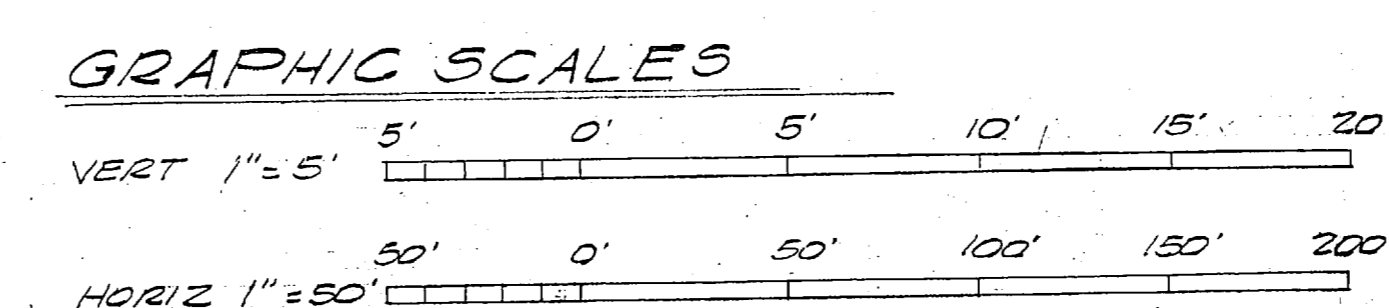
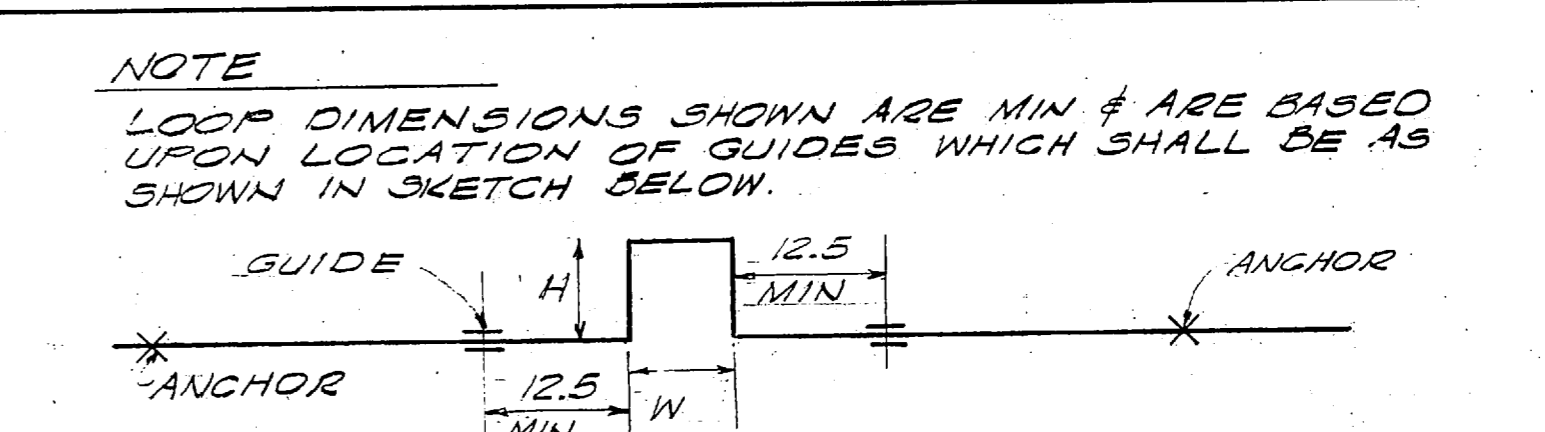


BEND NO	TYPE	STM SIZE	COND SIZE	UNGUIDED L	THIS	LEG A	LEG B	LEG C	EXPAN	EXPAN	EXPAN
1	L	6	3	13'-0"	4'-3"	1'-11/2"	5'-29"				
2	Z	3	2	13'-1/2"	6'-4"	2'-11"	4'-11/8"	4'-11/8"	14'-10"		
3	L	6	3	17'-10"	12'-8"	2'-11/8"	9'-10"				
4	Z	3	2	2'-11"	6'-4"	7'-5"	20'-11/4"	5'-11/8"	11'-6"		
5	L	4	2	13'-10"	9'-6"	14'-11/2"	8'-11/2"				

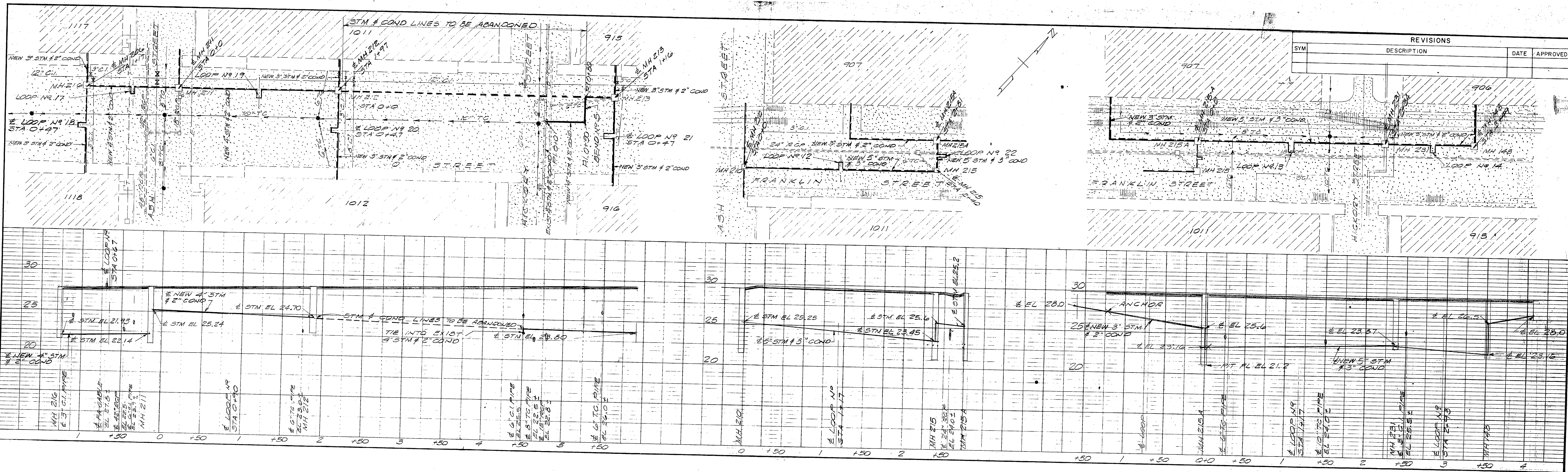
LOOP NO	STM SIZE	COND SIZE	LOOP SIZE W x H	TOTAL EXPAN
1	6	3	7'-6" x 15'-0"	5'-4"
2	6	3	7'-6" x 15'-0"	5'-4"
3	6	3	4'-6" x 13'-6"	4'-3"
4	4	2	8'-3" x 16'-6"	6'-11"
5	4	2	5'-5" x 18'-0"	3'-7"
6	4	2	6'-0" x 12'-0"	5'-1"
7	6	3	3'-0" x 12'-0"	4'-3"
8	6	3	13'-6" x 12'-0"	6'-5"
9	6	3	12'-6" x 14'-0"	5'-7"
10	6	3	14'-6" x 14'-0"	7'-11"
11	6	3	17'-6" x 13'-0"	6'-8"
12	5	3	8'-6" x 11'-6"	3'-5"
			8'-0" x 10'-0"	6'-7"
			8'-0" x 14'-6"	5'-7"

LOOP NO	STM SIZE	COND SIZE	LOOP SIZE W x H	TOTAL EXPAN
13	5	3	8'-0" x 10'-0"	6'-8"
14	3	2	5'-0" x 14'-6"	5'-3"
15	4	2	4'-0" x 8'-0"	5'-1"
16	4	2	5'-0" x 10'-0"	2'-9"
17	4	2	5'-0" x 10'-0"	3'-2"
18	3	2	8'-0" x 8'-6"	3'-1"
			8'-0" x 8'-6"	2'-6"
			8'-0" x 8'-6"	2'-6"

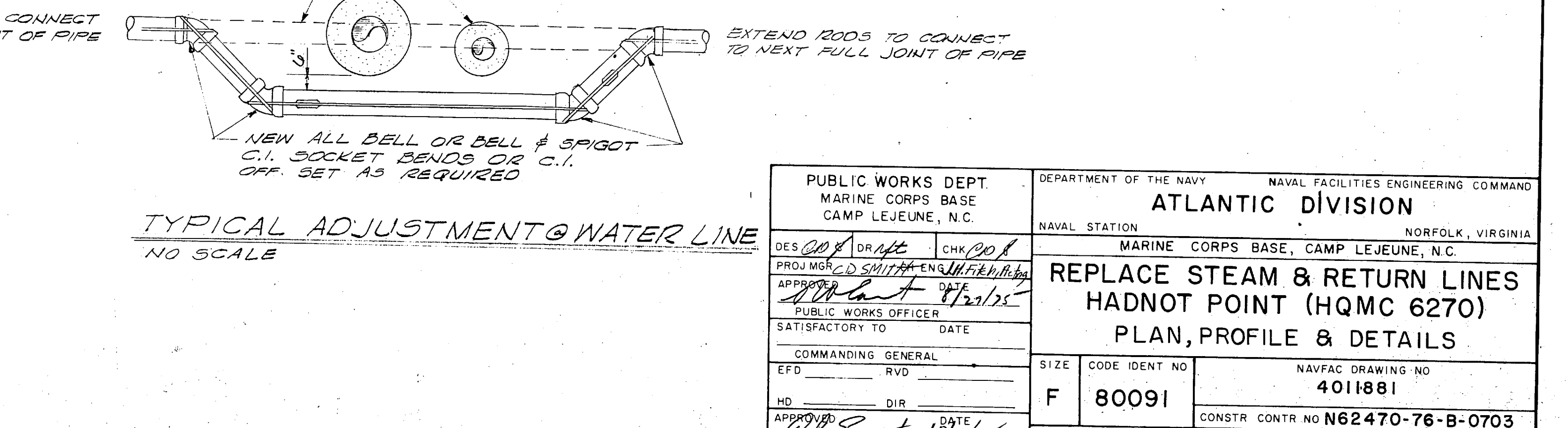
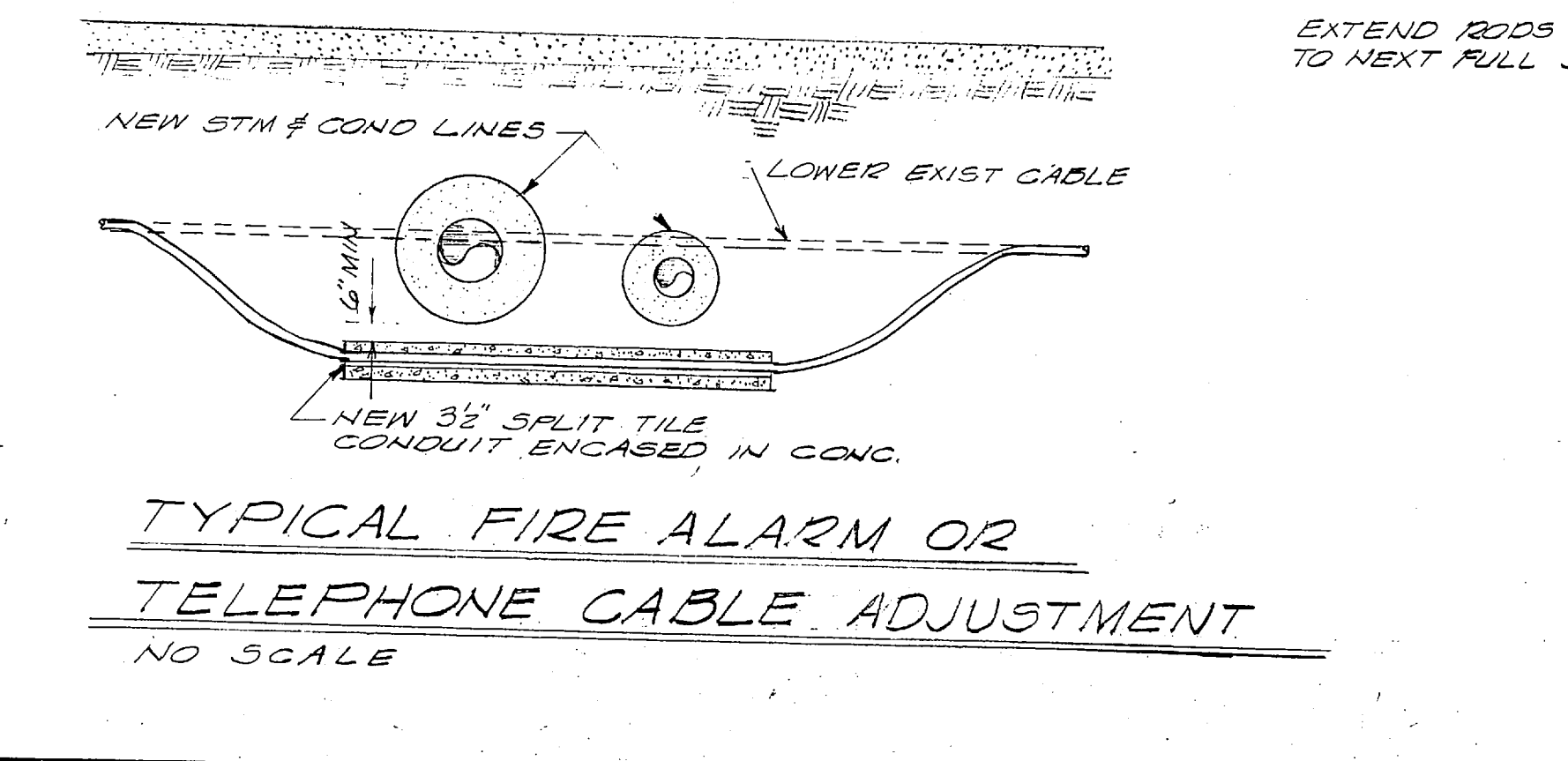
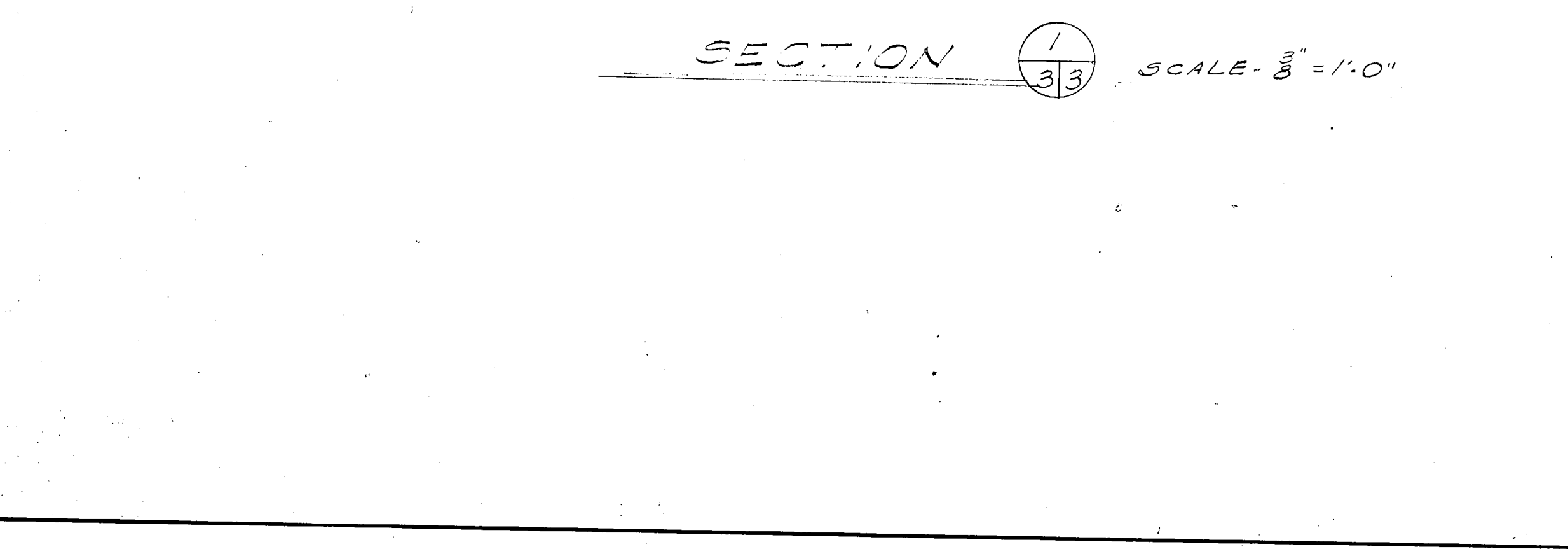
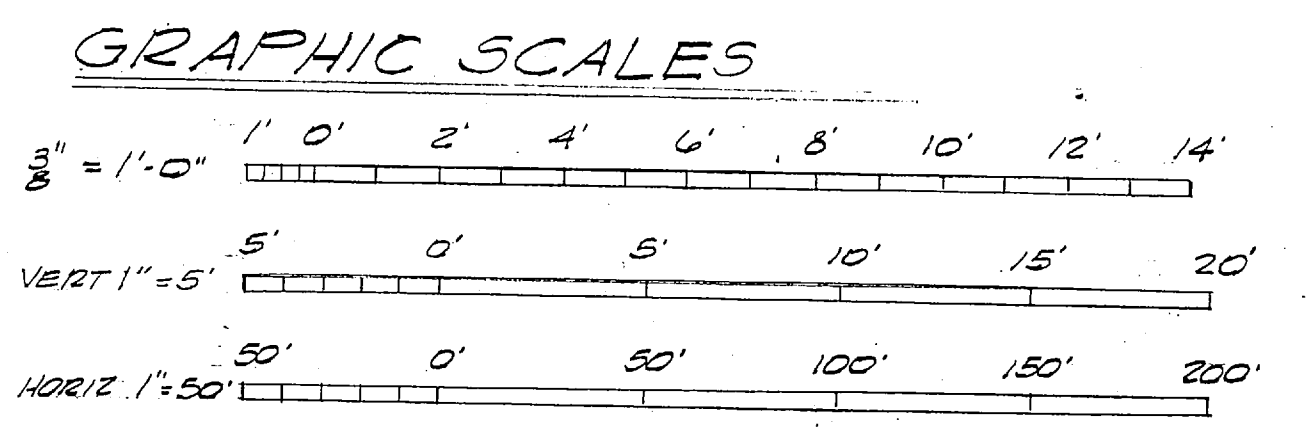
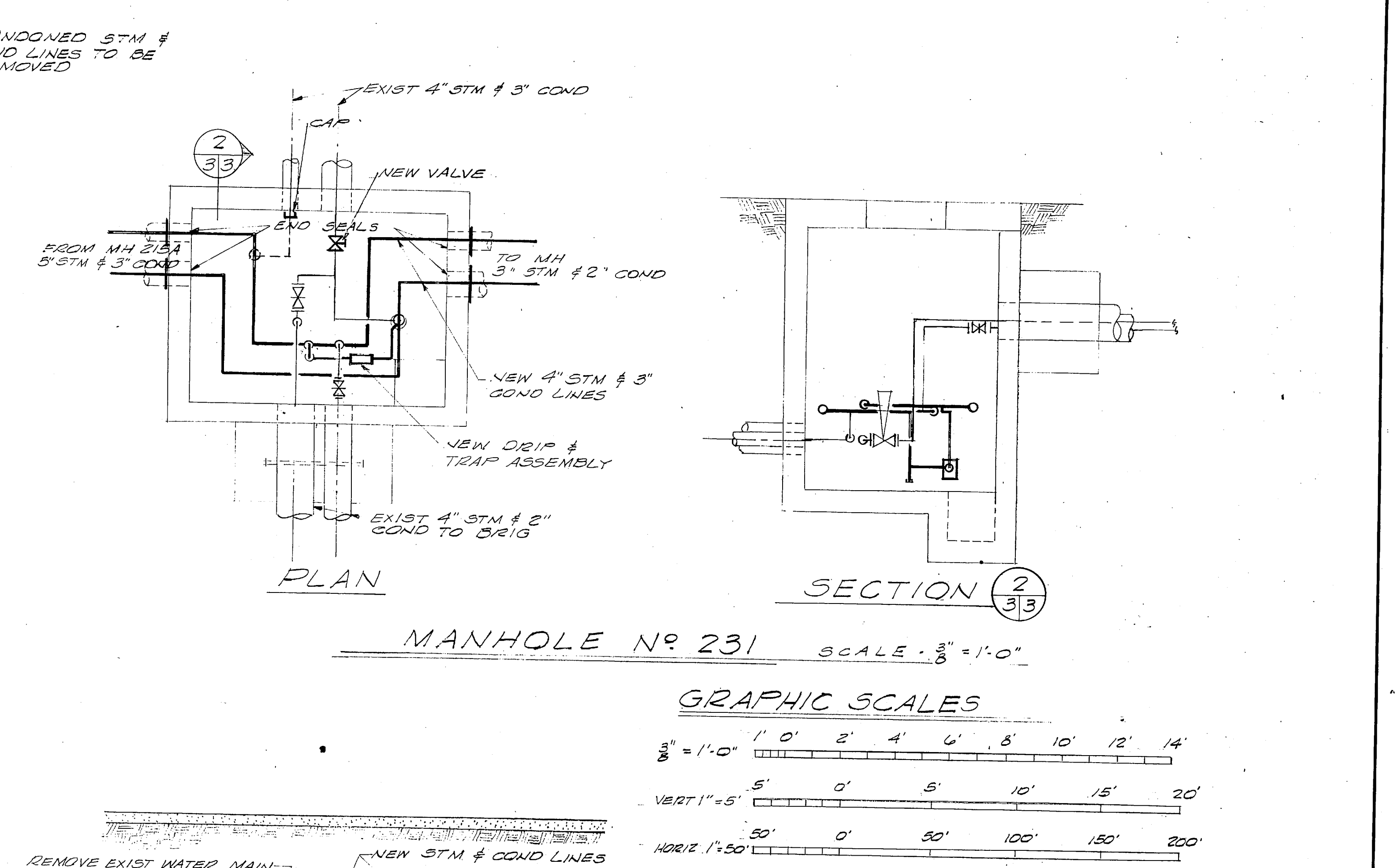
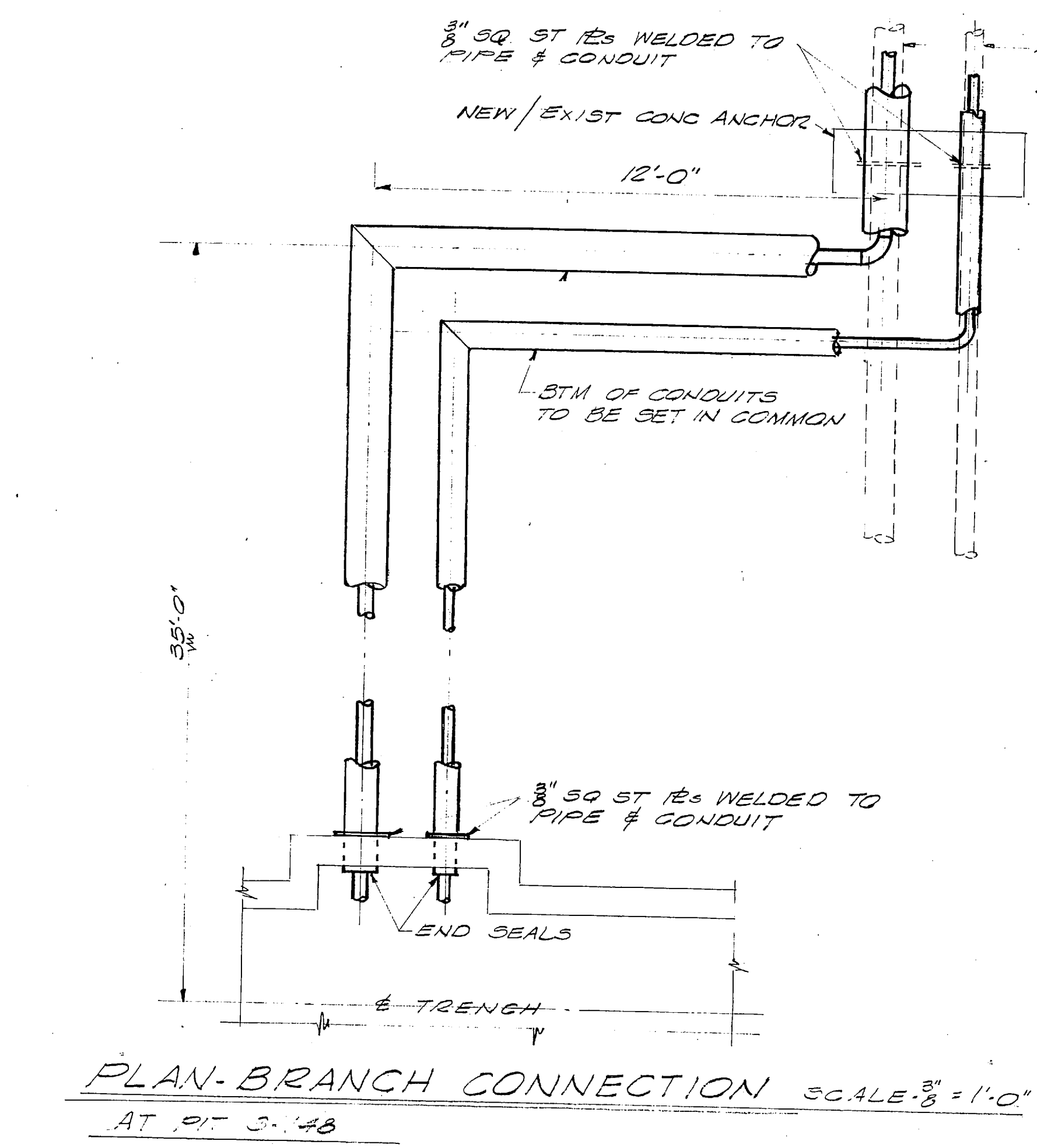
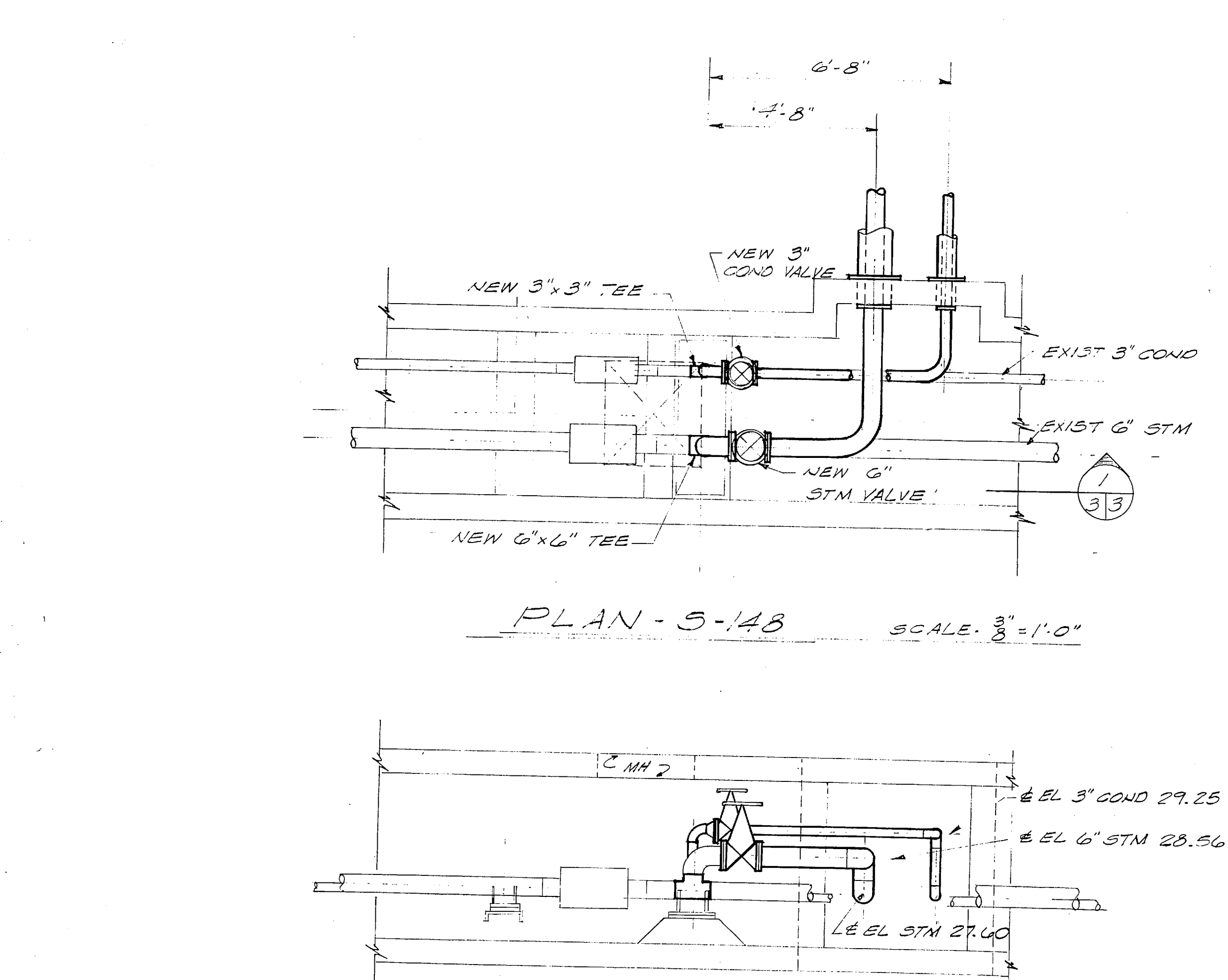
LOOP NO	STM SIZE	COND SIZE	LOOP SIZE W x H	TOTAL EXPAN
19	4	2	6'-0" x 13'-0"	5'-5"
20	3	2	3'-6" x 11'-6"	4'-7"
21	3	2	5'-0" x 12'-0"	3'-11"
22	5	3	8'-0" x 10'-0"	1'-2"
			8'-0" x 8'-6"	0'-9"



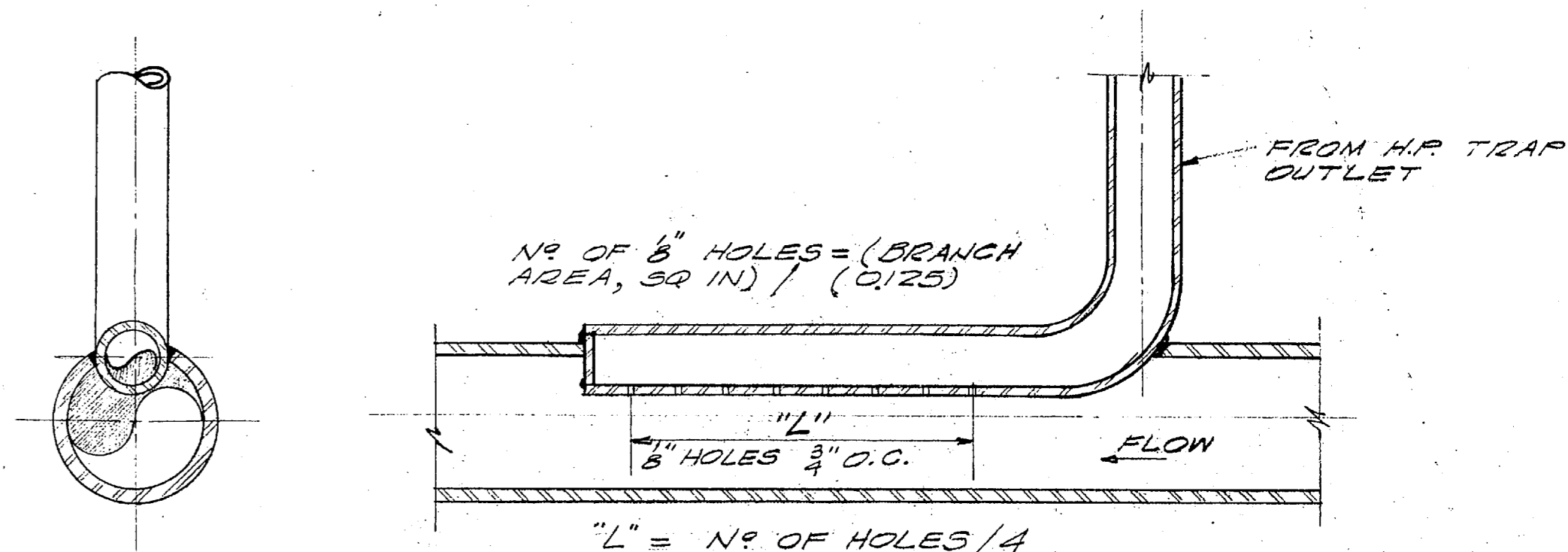
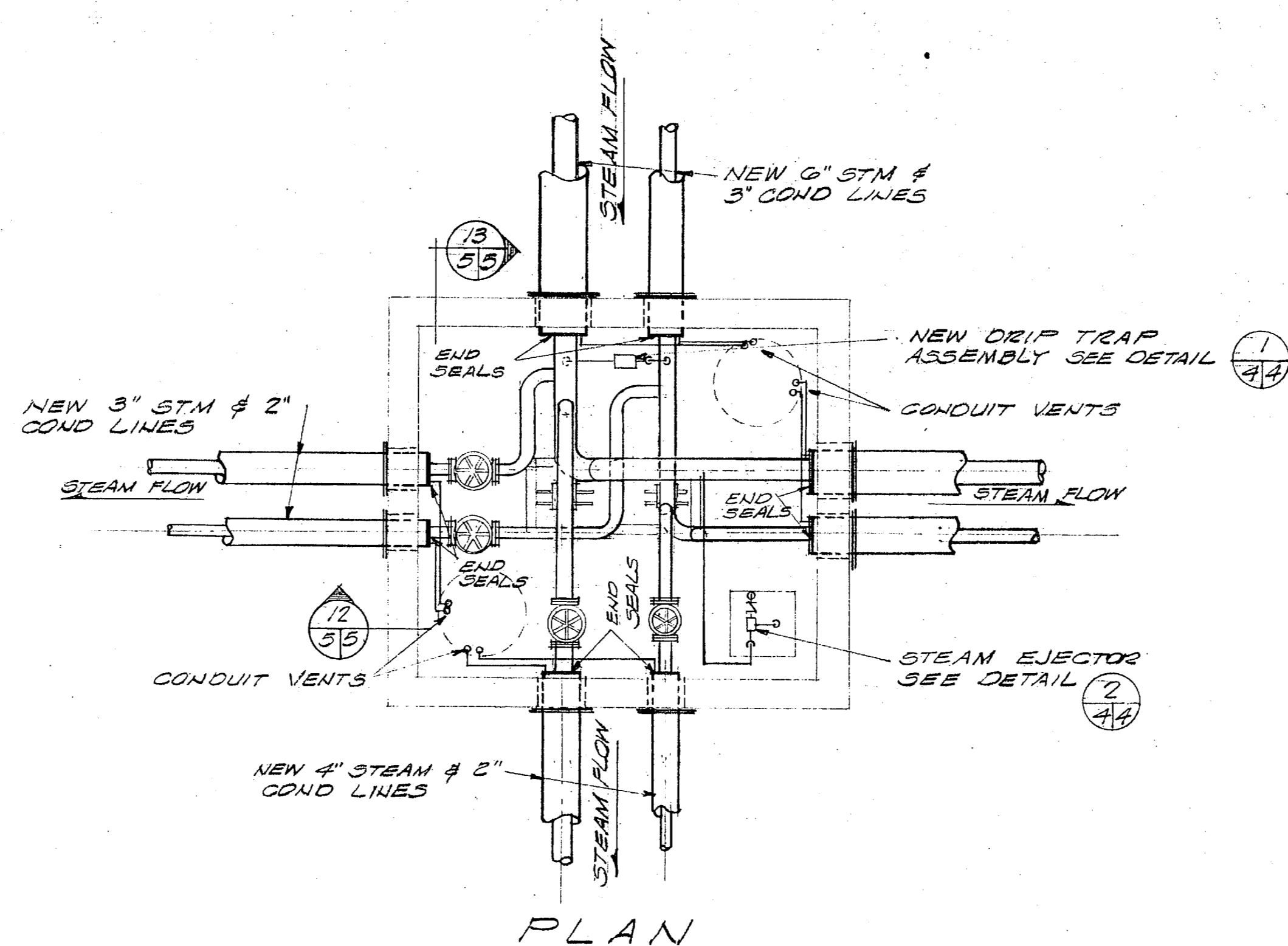
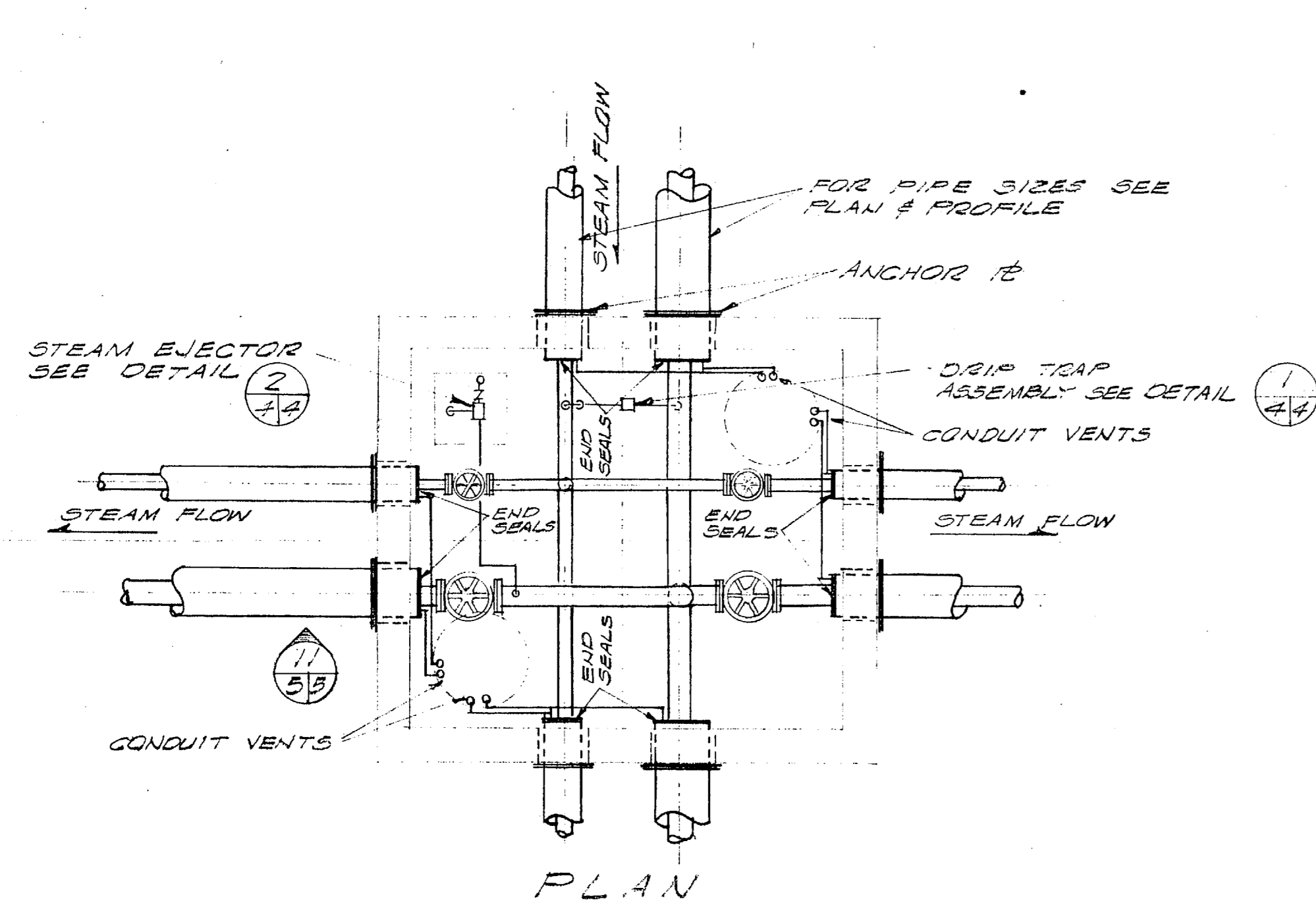
PUBLIC WORKS DEPT MARINE CORPS BASE CAMP LEJUNE, N.C.		DEPARTMENT OF THE NAVY ATLANTIC DIVISION NAVAL STATION CAMP LEJUNE, N.C.	
DESIGNED BY: [Signature]		DRAWN BY: [Signature]	
APPROVED BY: [Signature]		DATE: [Date]	
FOR COMMANDER, NAVFAC		NAVFAC DRAWING NO. 14011880	
CONSTR CONTR NO. N62470-76-B-0703		SHEET 2 OF 5	



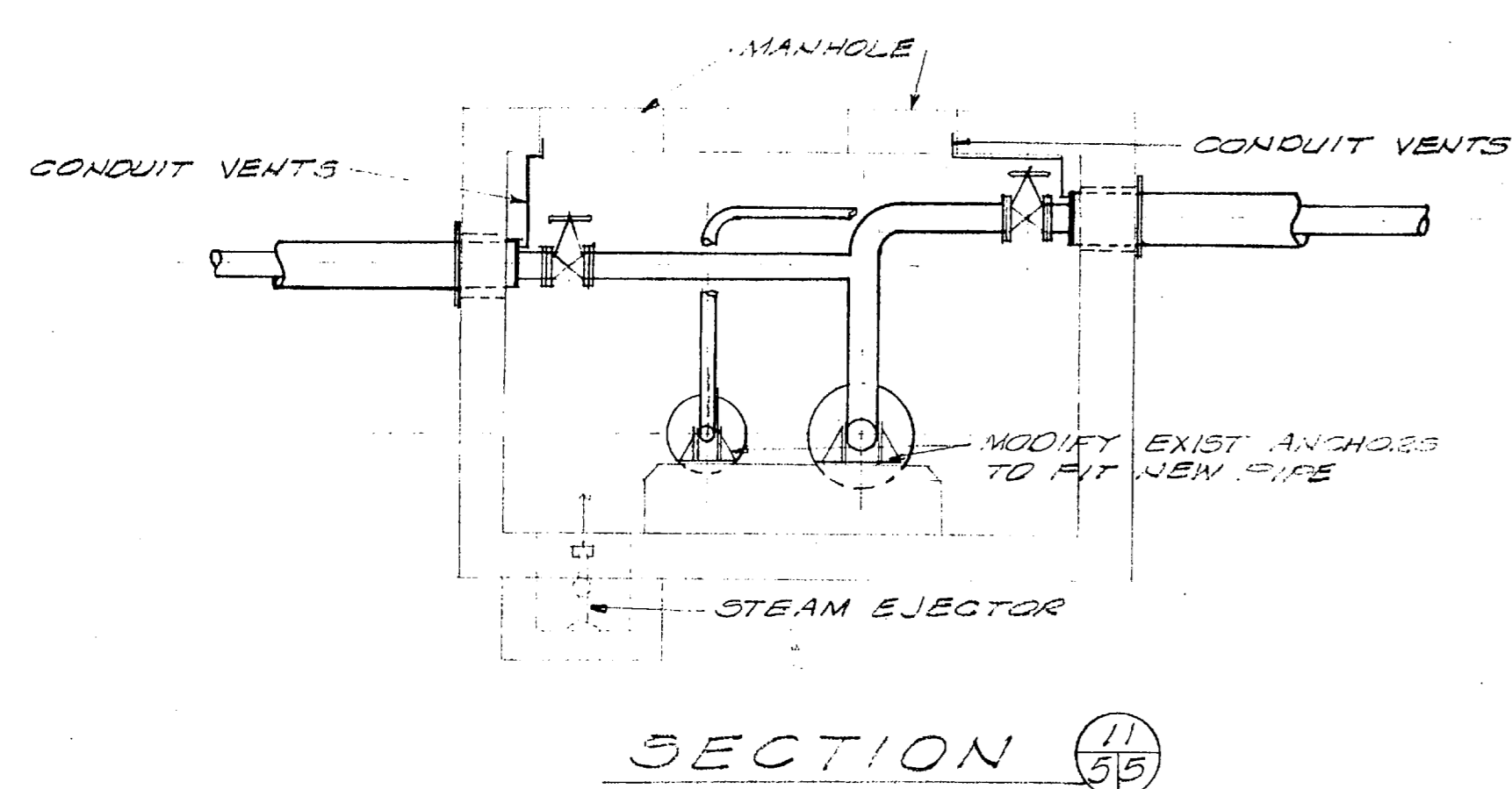
REVISIONS			
SYM	DESCRIPTION	DATE	APPROVED



PUBLIC WORKS DEPT MARINE CORPS BASE CAMP LEJEUNE, N.C.		DEPARTMENT OF THE NAVY NAVAL FACILITIES ENGINEERING COMMAND ATLANTIC DIVISION	
DESIGNED BY: [Signature]		MARINE CORPS BASE, CAMP LEJEUNE, N.C.	
DRAWN BY: [Signature]		REPLACE STEAM & RETURN LINES HADNOT POINT (HQMC 6270) PLAN, PROFILE & DETAILS	
CHECKED BY: [Signature]		NAVFAC DRAWING NO. 401881	
APPROVED BY: [Signature]		CONSTR CONTR NO. N62470-76-B-0703	
COMMANDED GENERAL		SIZE CODE IDENT NO. F 80091	
EFD _____ RVD _____		SCALE _____ SPEC 05-76-0703 SHEET 3 OF 5	
HD _____ DIR _____		LANTDIV DWS NO. _____	
APPROVED BY: [Signature]		DATE: 11/15/53	

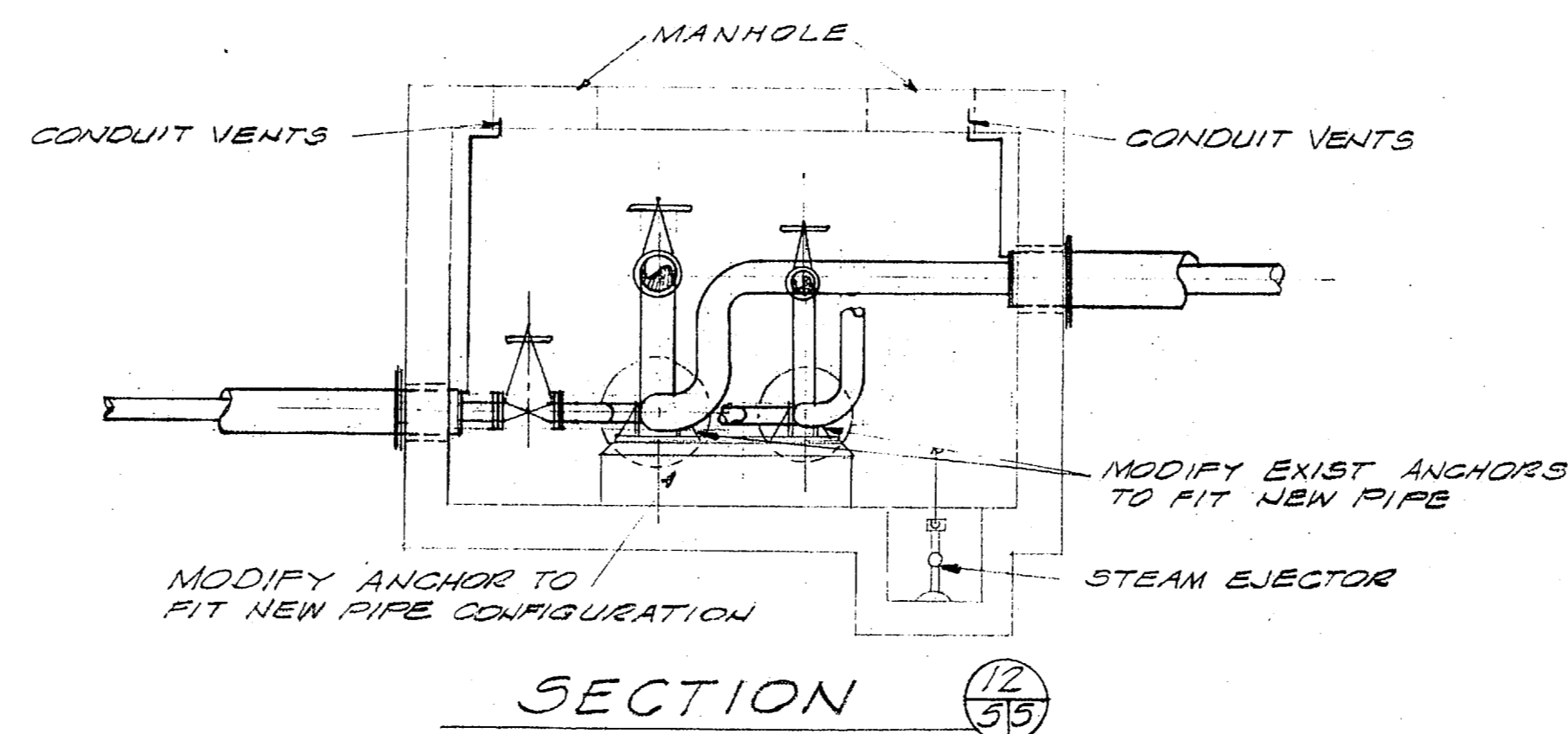


DETAIL - TRAP DISCHARGE TO RETURN MAIN
NO SCALE



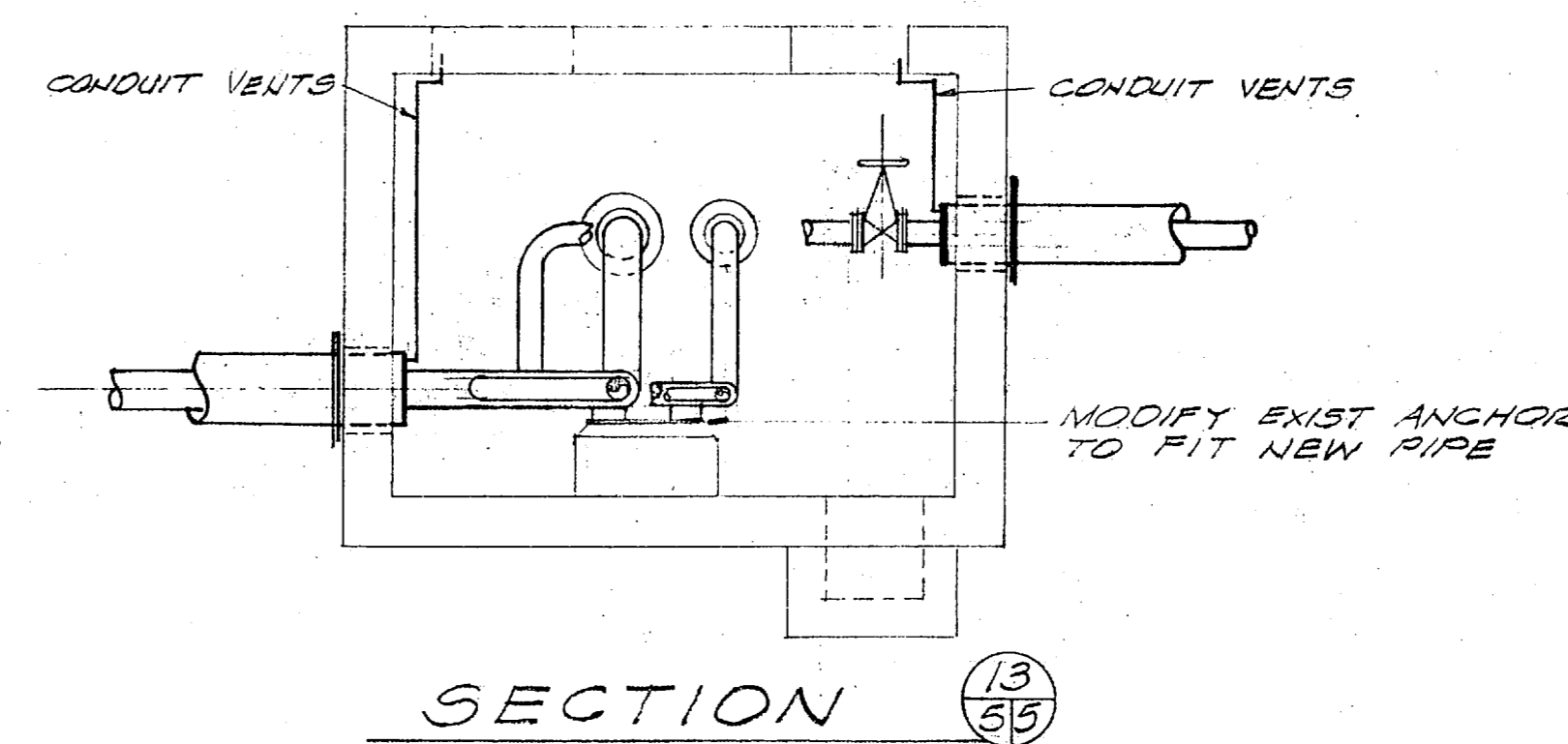
SECTION 11/55

TYPICAL PIT DETAIL SCALE - 3/8" = 1'-0"
(PITS 212-213-216 - MAINS TERMINATE IN PITS 213 & 216)

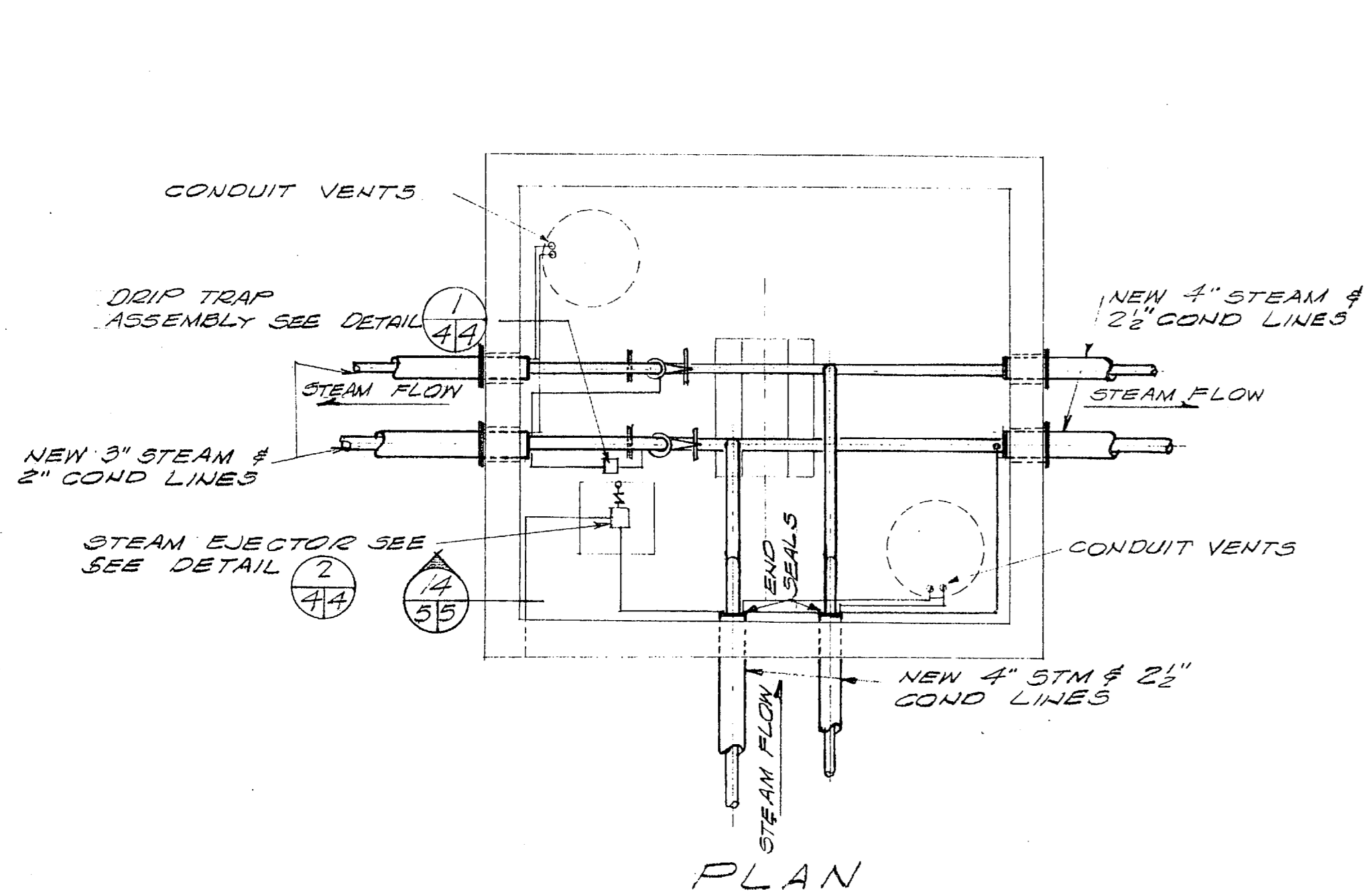


SECTION 12/55

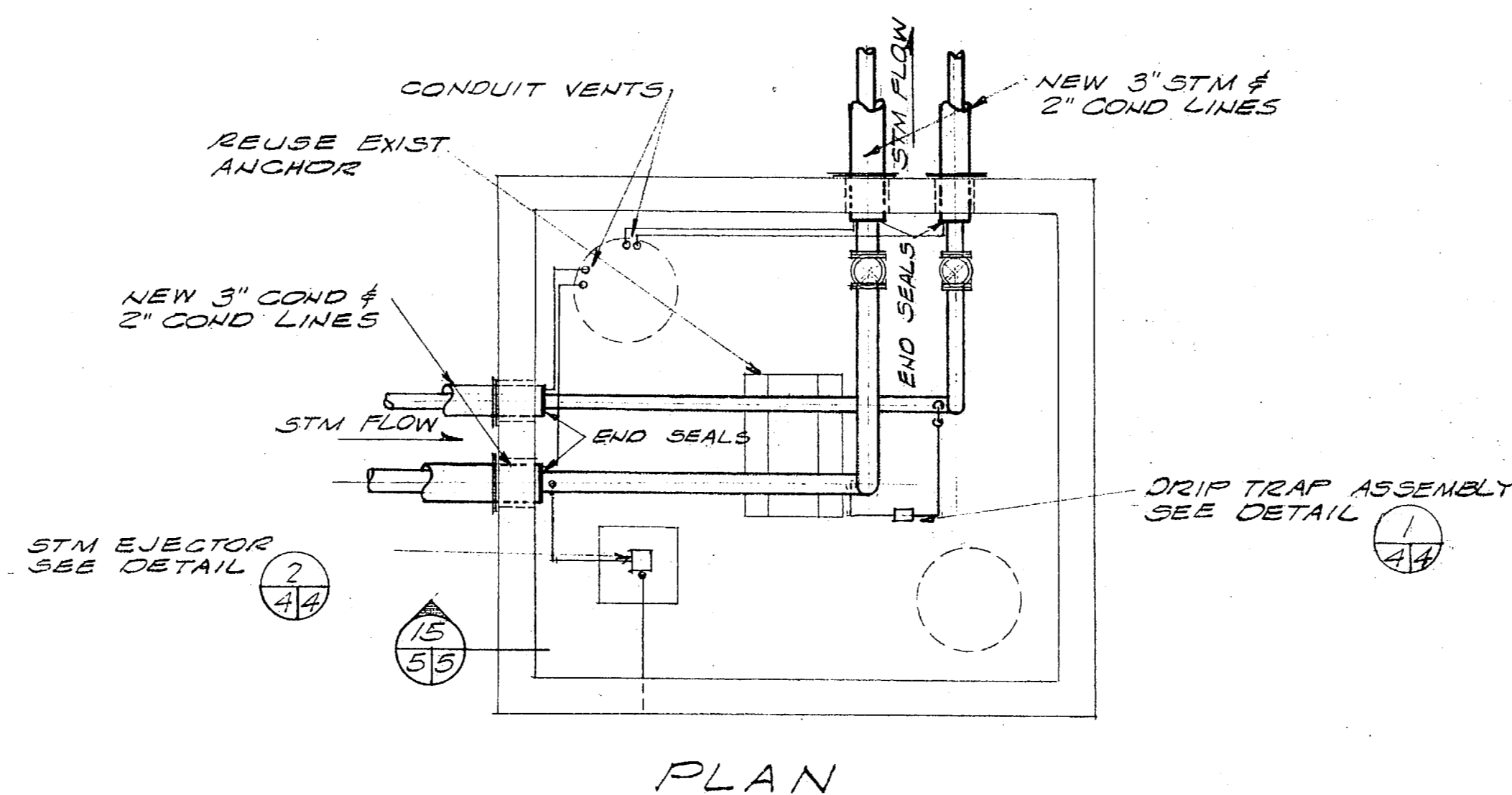
PIT DETAIL - 206 SCALE - 3/8" = 1'-0"



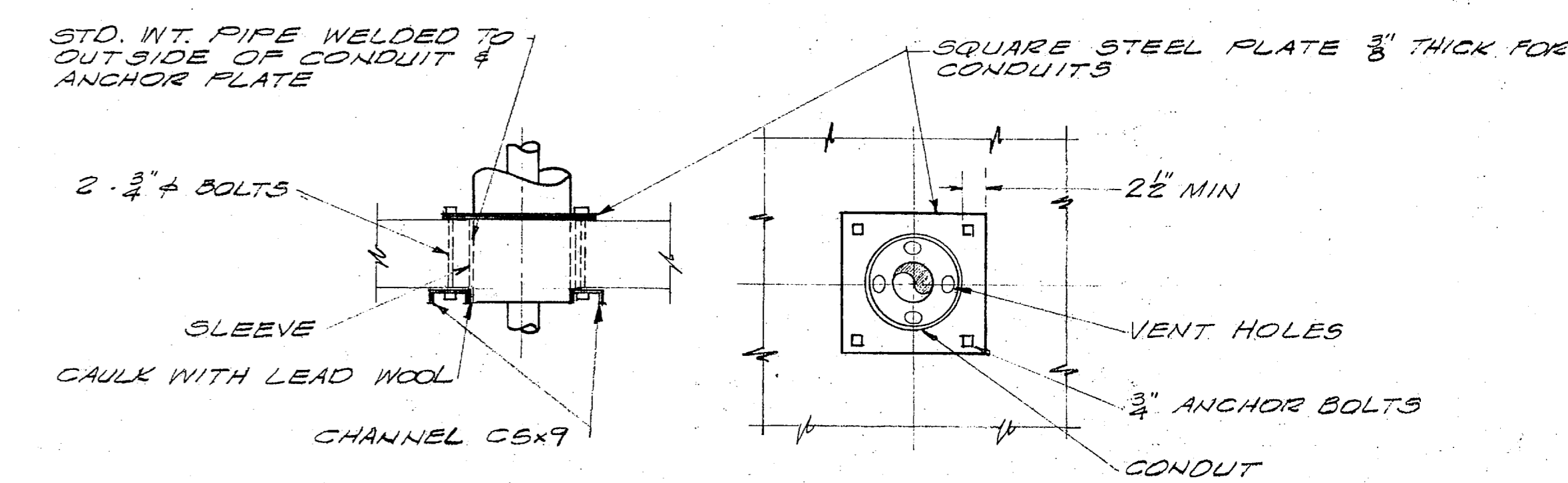
SECTION 13/55



PLAN

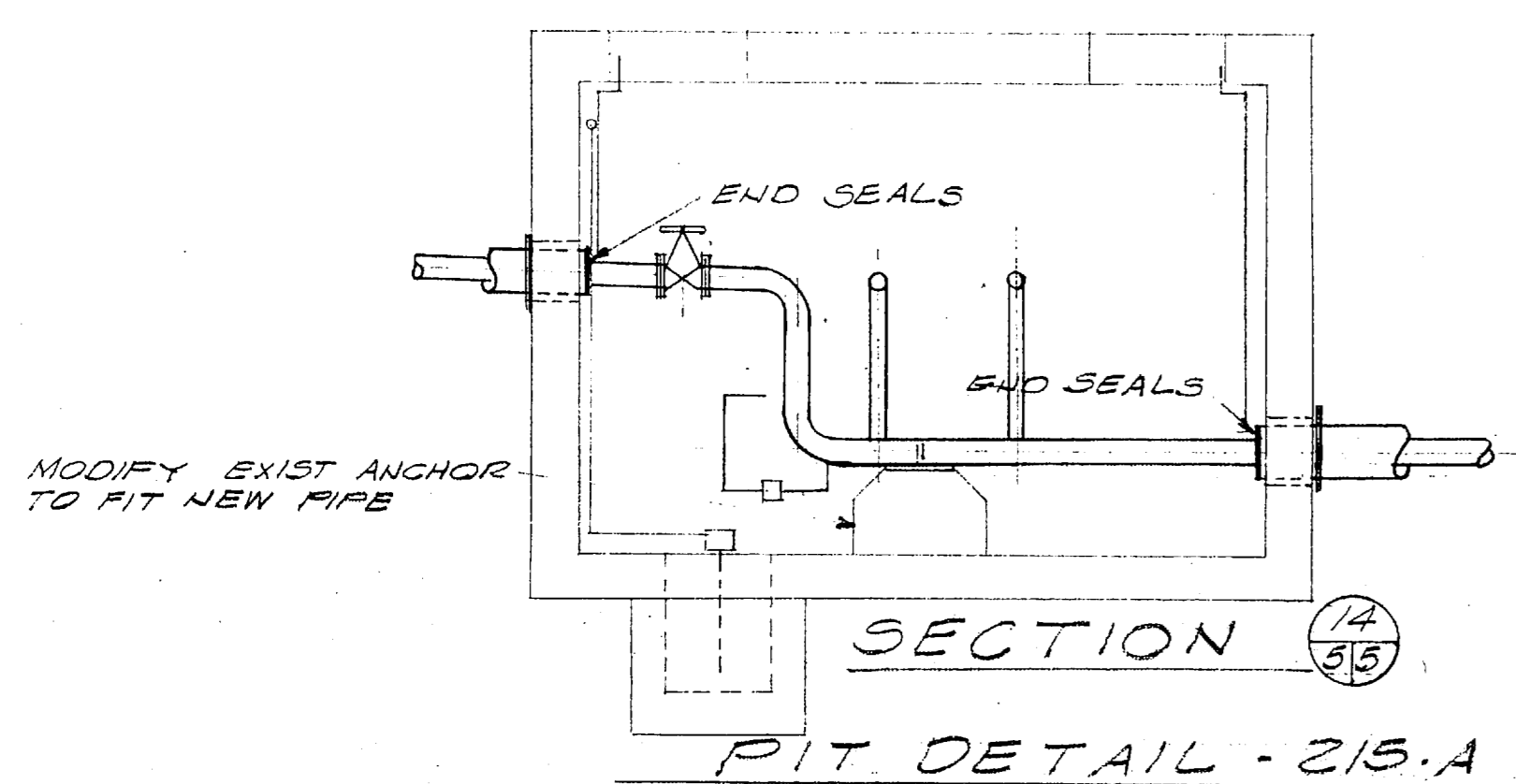
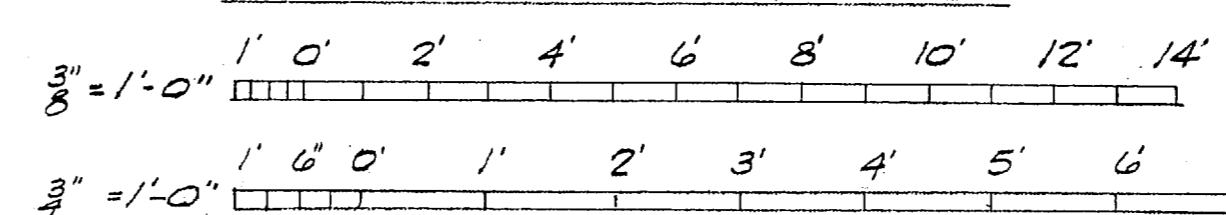


PLAN



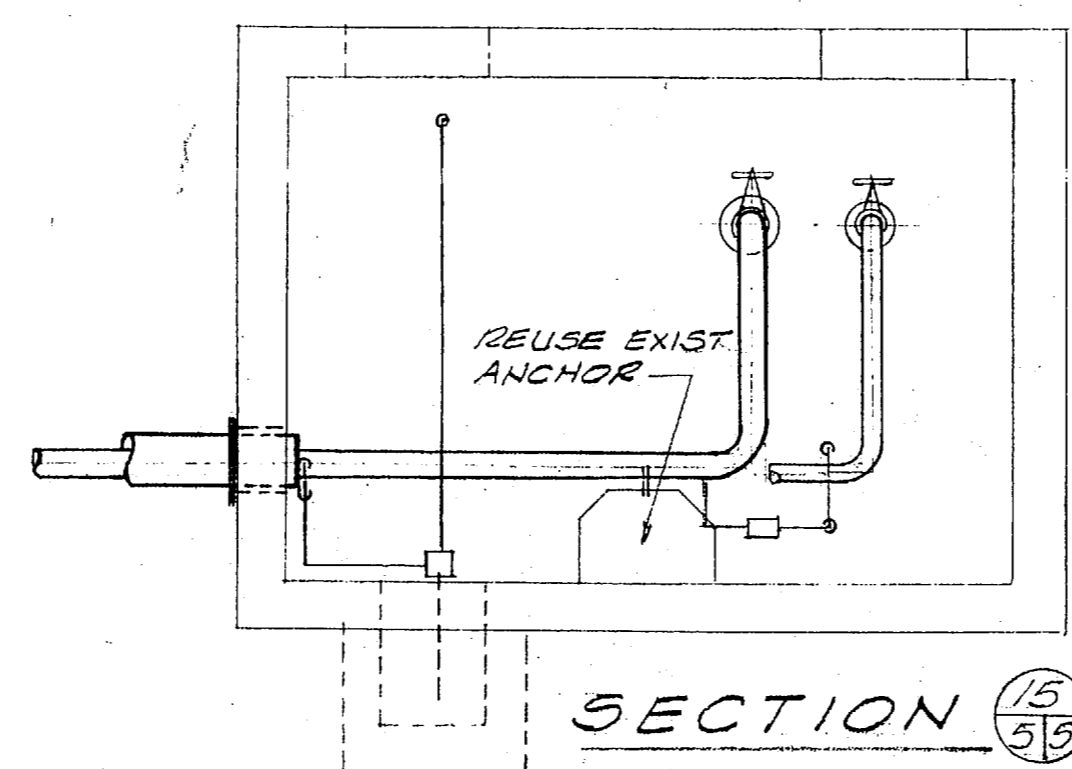
DETAIL - TYPICAL PLATE ANCHOR AT PITS & MANHOLES SCALE - 3/8" = 1'-0"

GRAPHIC SCALES



SECTION 14/55

PIT DETAIL - 215.A SCALE - 3/8" = 1'-0"



SECTION 15/55

PIT DETAIL - 148 SCALE - 3/8" = 1'-0"

REVISIONS			
SYM	DESCRIPTION	DATE	APPROVED

PUBLIC WORKS DEPT. MARINE CORPS BASE CAMP LEJEUNE, N.C.		DEPARTMENT OF THE NAVY NAVAL FACILITIES ENGINEERING COMMAND ATLANTIC DIVISION MARINE CORPS BASE, CAMP LEJEUNE, N.C.	
DES 201	DR 101	CHR 001	
APPROVED: [Signature]		DATE: 11/25/75	
FOR COMMANDER, NAVFAC		PUBLIC WORKS OFFICER	
SATISFACTORY TO: [Signature]		DATE: 11/25/75	
COMMANDING GENERAL		SIZE	CODE IDENT NO
		F	80091
			4011883
			CONSTR. CONTR. NO N62470-76-B-0703
		SCALE	SPEC 05-76-0703
			SHEET 5 OF 5

To: Base Mint