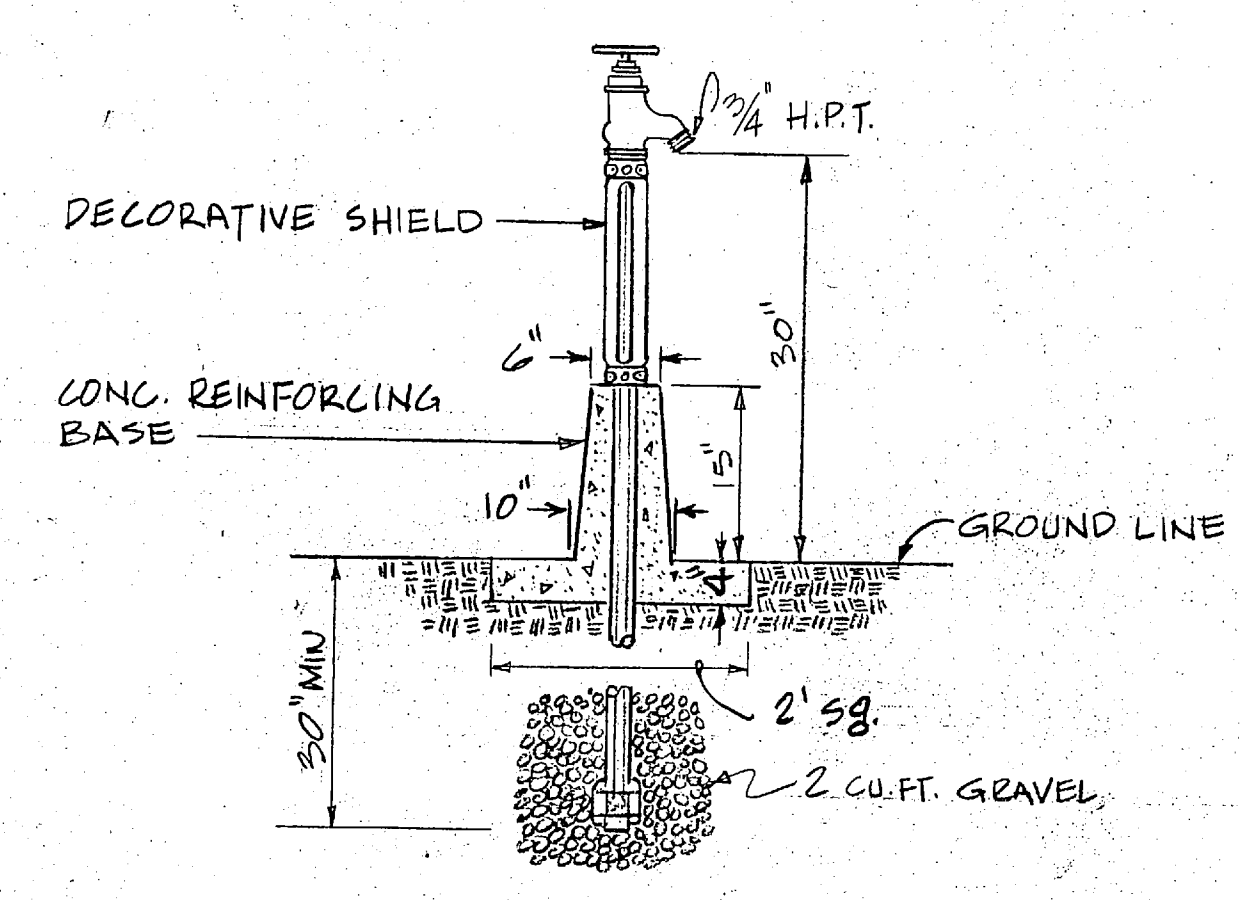
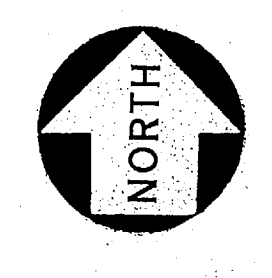
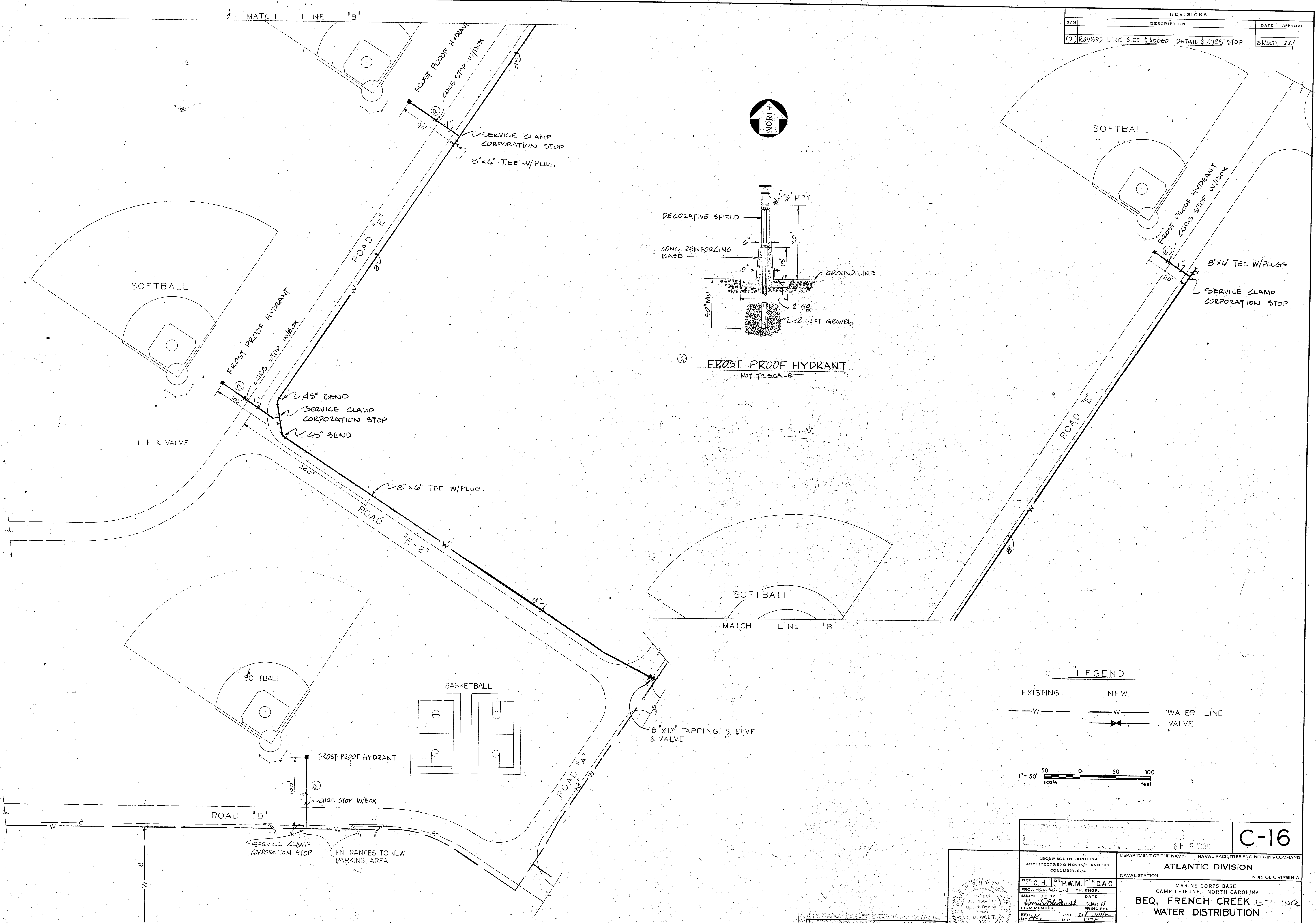


REVISIONS			
SYM	DESCRIPTION	DATE	APPROVED
(A)	REVISED LINE SIZE & ADDED DETAIL & CURB STOP	28 MARCH 77	EL

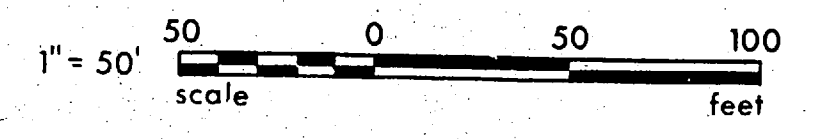


(A) FROST PROOF HYDRANT
NOT TO SCALE



LEGEND

EXISTING	NEW	
— W —	— W —	WATER LINE
	↔	VALVE



SATISFACTORY TO
[Signature]
DATE 17 June 77

LDCAW SOUTH CAROLINA ARCHITECTS/ENGINEERS/PLANNERS COLUMBIA, S. C.		DEPARTMENT OF THE NAVY NAVAL FACILITIES ENGINEERING COMMAND ATLANTIC DIVISION NAVAL STATION NORFOLK, VIRGINIA	
DES. C.H. PROJ. MGR. W.J. L.J. SUBMITTED BY: <i>[Signature]</i> FIRM MEMBER: <i>[Signature]</i> APPROVED: <i>[Signature]</i>	CHK. D.A.C. DATE: 10/11/77 PRINCIPAL: <i>[Signature]</i> DIR: <i>[Signature]</i>	MARINE CORPS BASE CAMP LEJEUNE, NORTH CAROLINA BEQ, FRENCH CREEK WATER DISTRIBUTION	C-16 6 FEB 1977
OFFICER IN CHARGE: <i>[Signature]</i> APPROVED: <i>[Signature]</i> FOR EPD FOR COMMANDER NAVFAC	DATE: <i>[Signature]</i> DATE: <i>[Signature]</i>	SIZE: F CODE IDENT NO: 80091 NAVFAC DRAWING NO: 4031975 CONSTR. CONTR. NO: N62470-75-B-5320	SHEET 17 OF 77 SHEET 17 OF 77 131975

