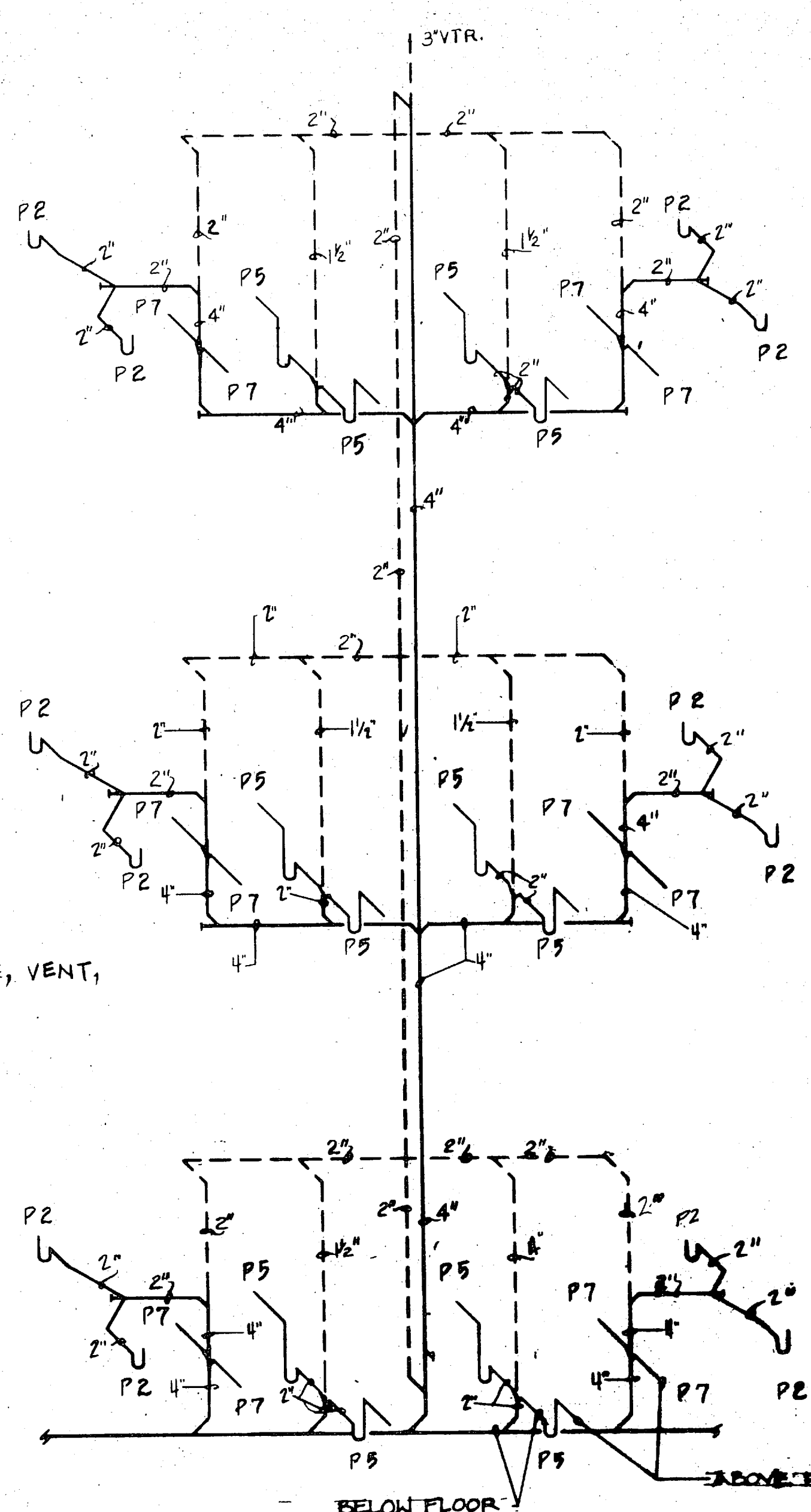
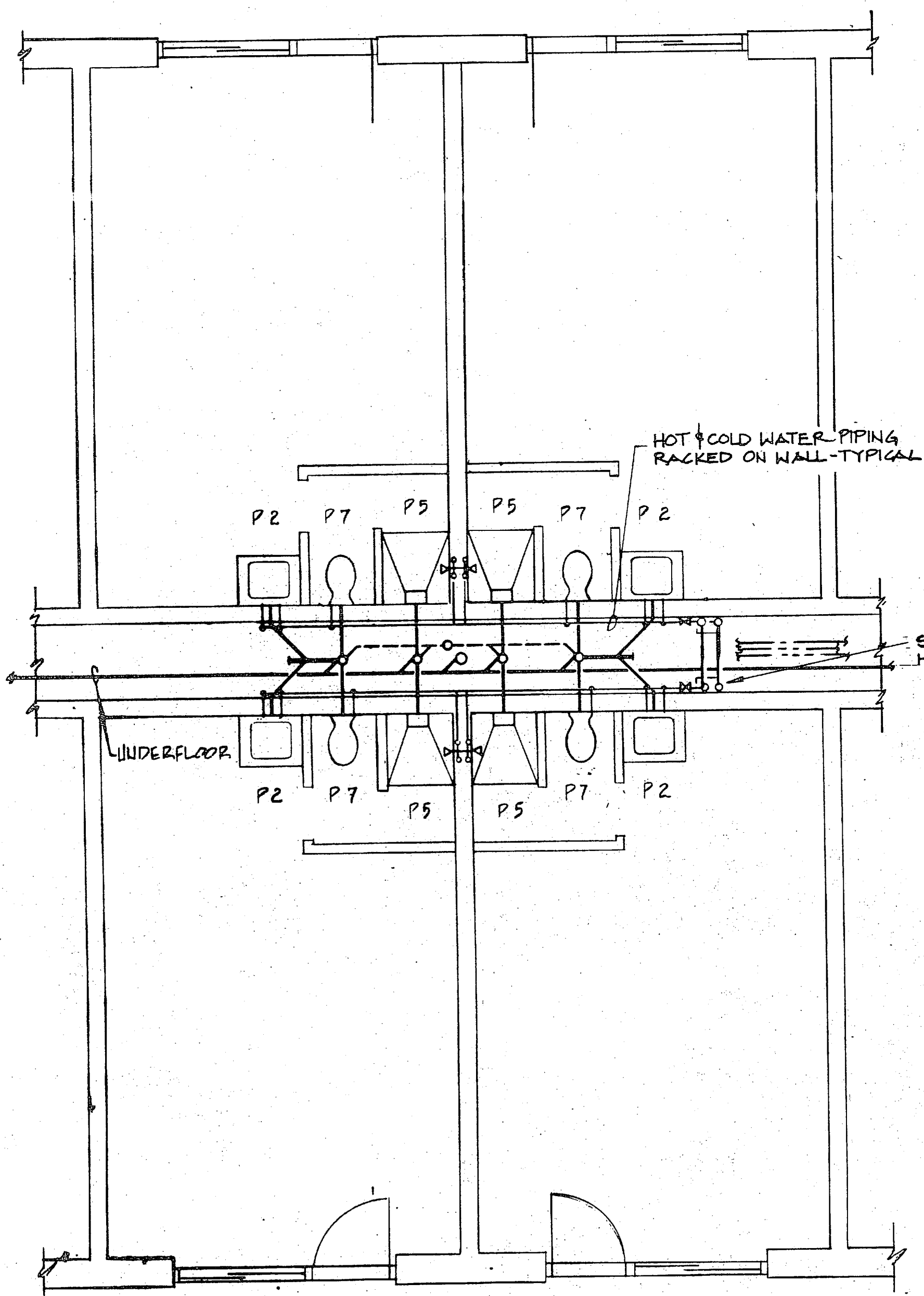
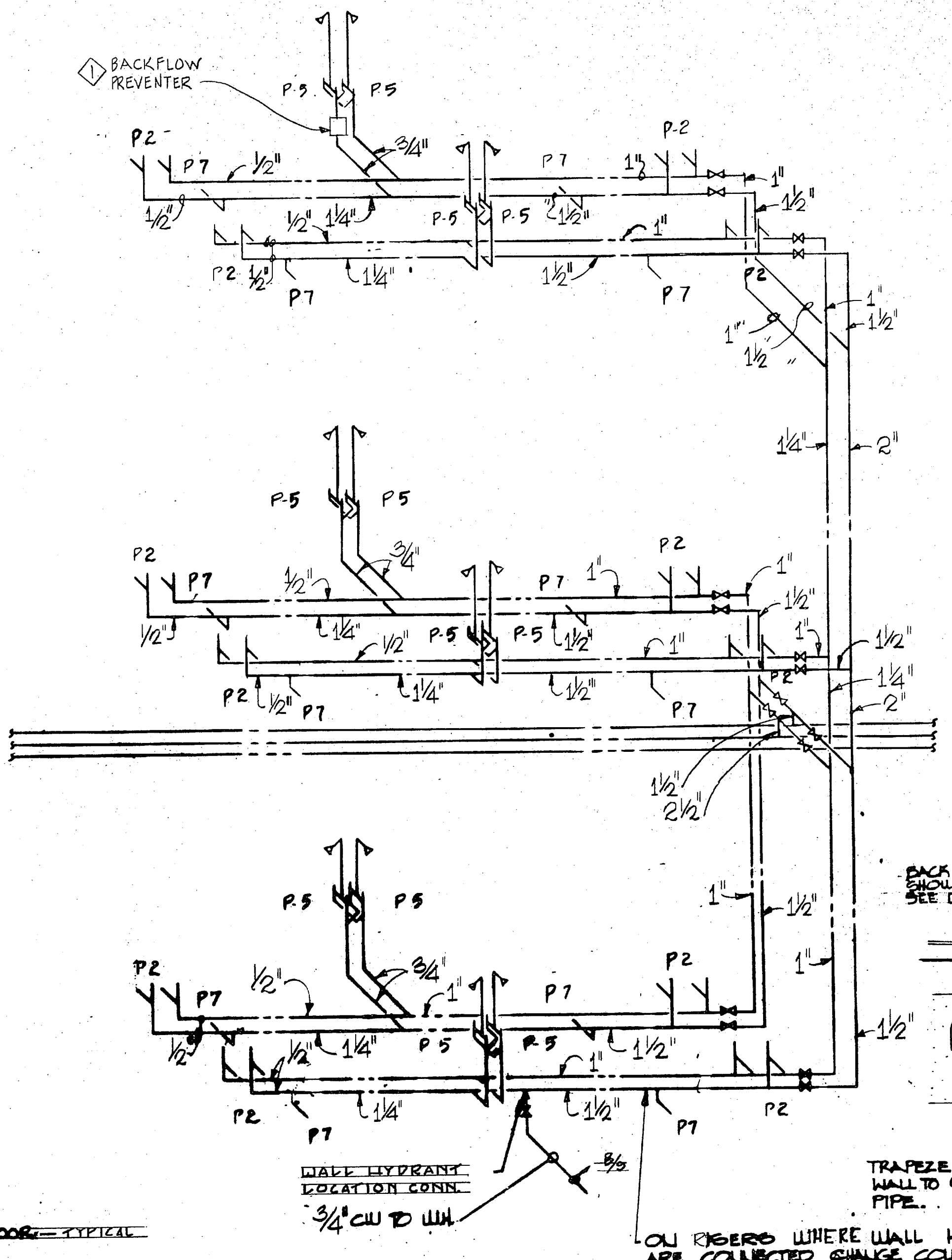


REVISIONS				
SYM	DESCRIPTION	PREP BY	DATE	APPROVED
◊	ADDED CHANGE ORDERS - P0001 THRU P0010	B.W.R.	3-30-81	
◊	FOR RECORD DRAWINGS			

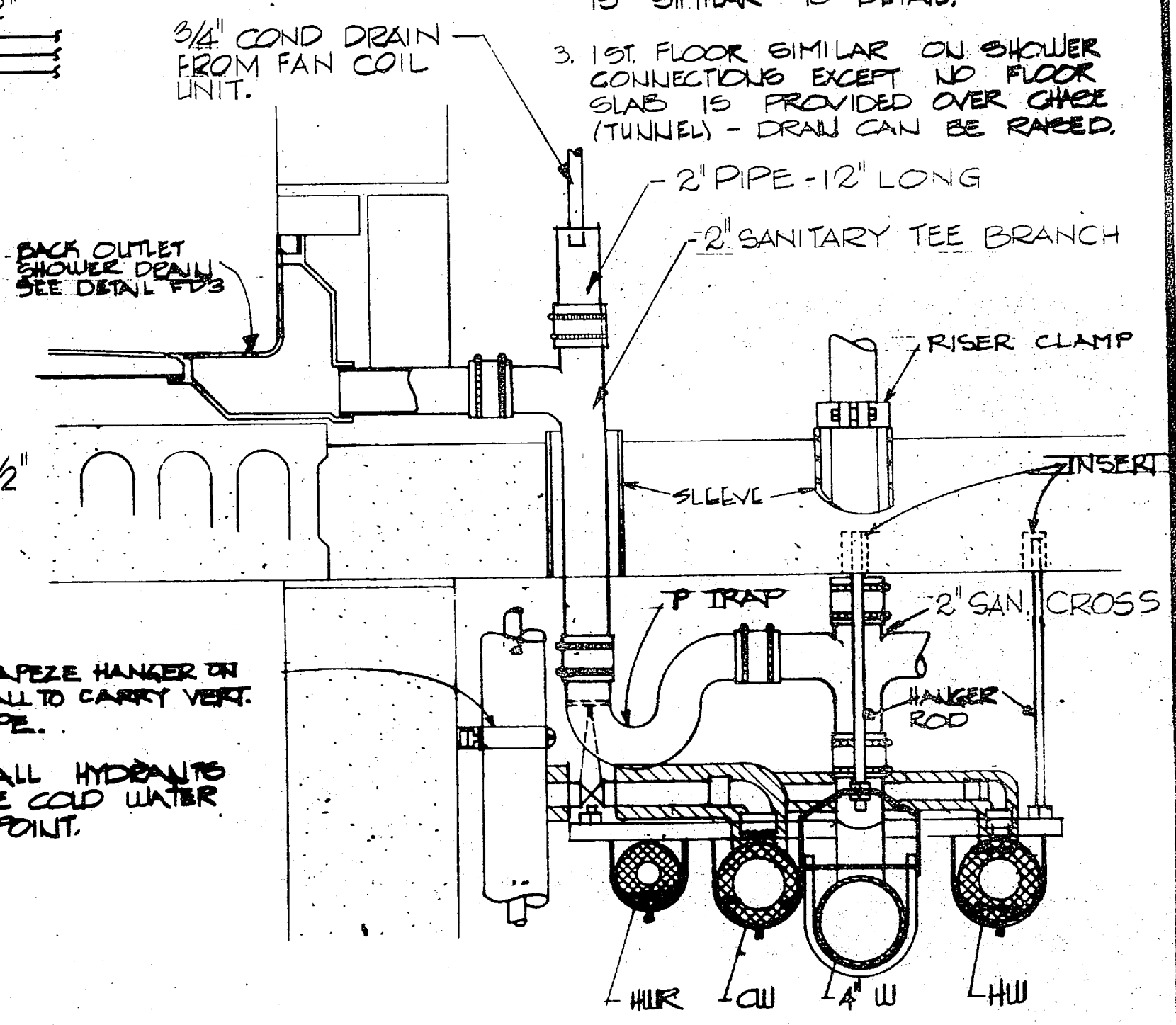


**WASTE, VENT, HOT & COLD WATER RISERS FOR UNITS A, B, & C.**  
NOT TO SCALE

◊ NOTE: NON-FREEZE ROOF HYDRANT IS REQUIRED ONLY IF SOLAR ALTERNATE IS PROVIDED. SEE NAVFAC DWG. NO. 4044453 FOR LOCATIONS

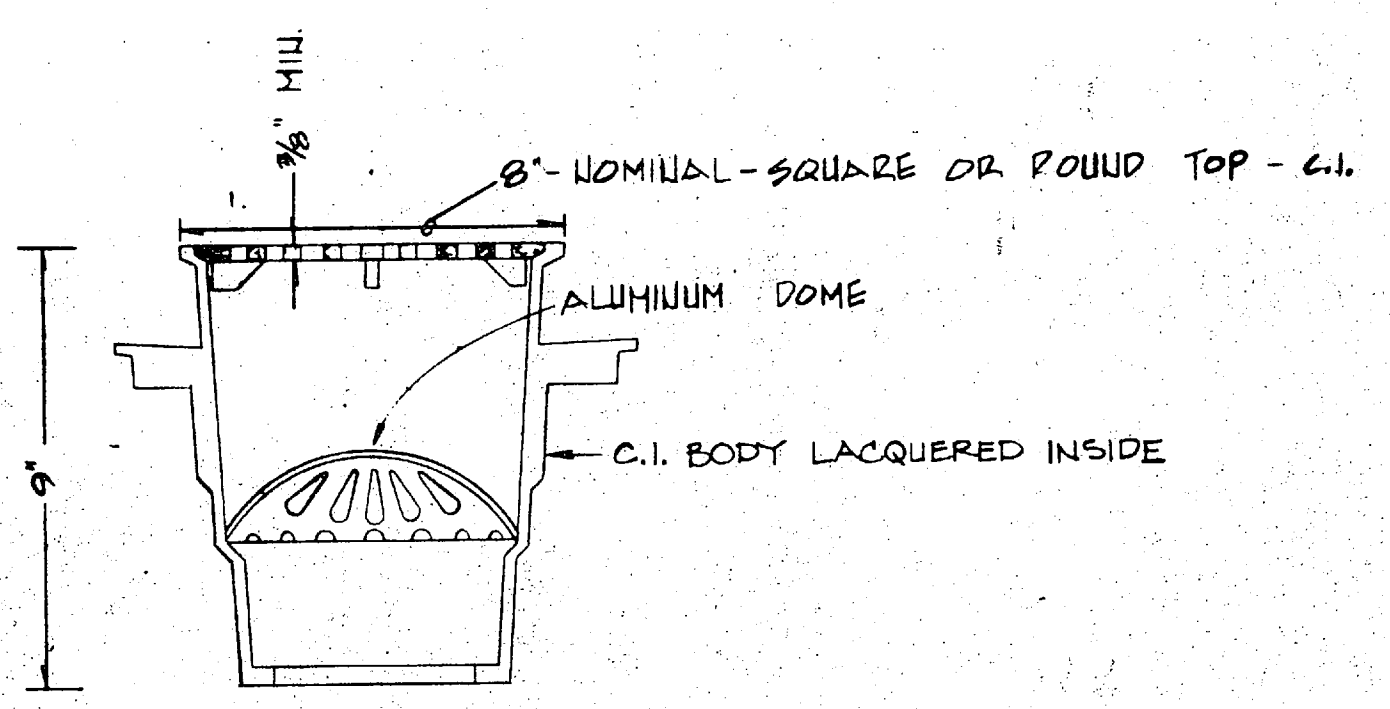


- NOTES: APPLYING TO DETAIL BELOW
1. DETAIL SHOWS WASTE CONNECTIONS FROM SHOWERS AND WATER PIPE ARRANGEMENT AT 1 1/2" FLOOR CEILING.
  2. WASTE FROM SHOWERS ON 3RD FLOOR IS SIMILAR TO DETAIL.
  3. 1ST FLOOR SIMILAR ON SHOWER CONNECTIONS EXCEPT NO FLOOR SLAB IS PROVIDED OVER CHASE (TUNNEL) - DRAIN CAN BE RAISED.

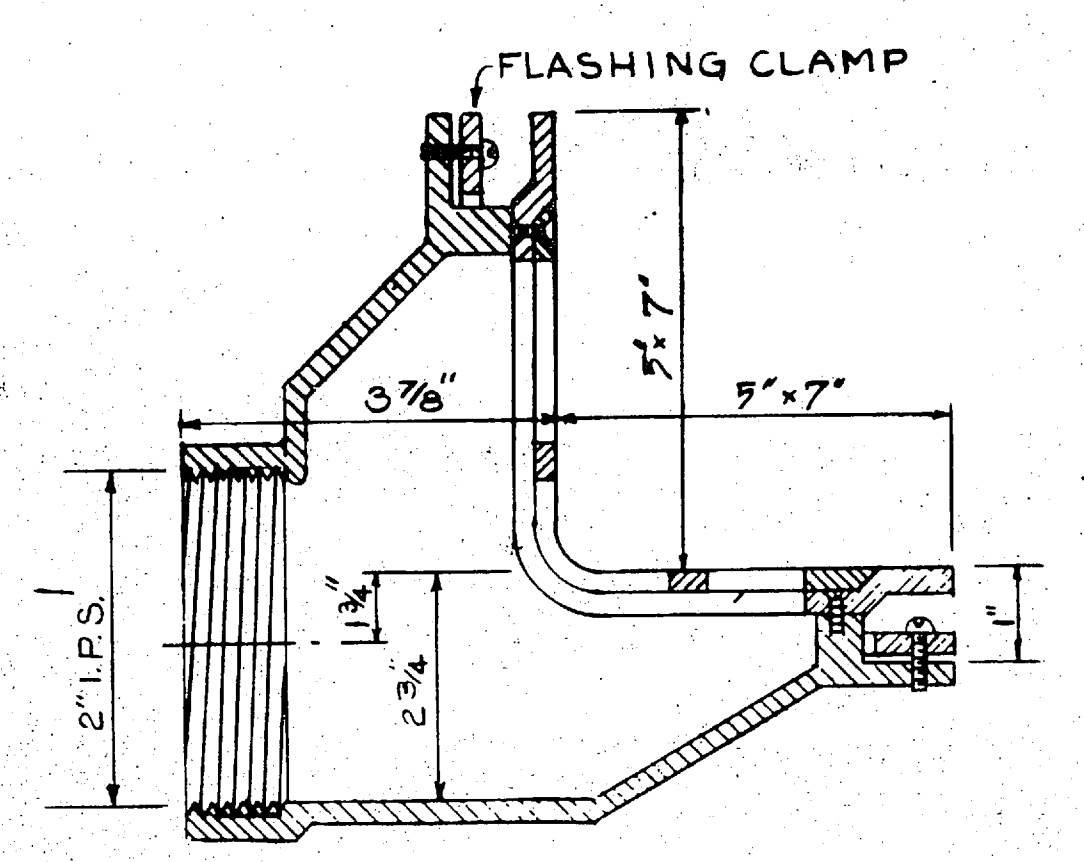


**SHOWER DRAINAGE PIPING DETAIL**  
NOT TO SCALE

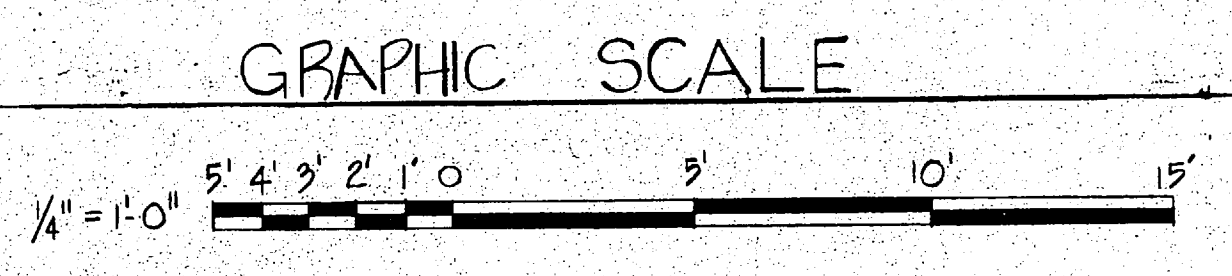
**TYPICAL UNITS A, B, & C**  
1/8" = 1" - 1/4"



**MECHANICAL ROOM FLOOR DRAIN DETAIL FD-2**  
NOT TO SCALE



**BACK OUTLET SHOWER DRAIN DETAIL FD-3**



THIS DRAWING SITE ADAPTED FROM DRAWINGS PREPARED BY J.N. PEASE ASSOCIATES.

HP-155

RECORD DRAWING DATE: 3/30/81

**P-2**

DEPARTMENT OF THE NAVY NAVAL FACILITIES ENGINEERING COMMAND  
ATLANTIC DIVISION NORFOLK, VA.

NAVAL STATION MARINE CORPS BASE NORTH CAROLINA  
COMPLEJEUNE BACHELOR ENLISTED QUARTERS  
RISER DIAGRAMS & DETAILS FOR UNITS A, B, C.

J. E. SIRRINE Co. Architects - Engineers GREENVILLE, S. C.

DESIGNED BY: JRM/MEACHAM CHK/MEACHAM  
SUBMITTED BY: JRM/MEACHAM DATE: 10/9/80  
FIRM MEMBER: JRM/MEACHAM PRINCIPAL  
E.F.D. NO.: 201 RVD: JRM/MEACHAM  
RD: JRM/MEACHAM DIR: JRM/MEACHAM

APPROVED: [Signature] DATE: [Blank]

OFFICER IN CHARGE DATE: [Blank]

SIZE: F CODE DEPT. NO.: 80091 NAVFAC DRAWING NO.: 4044454  
CONSTR. CONTR. NO.: N-62470-77B-7516

SCALE: SHOWN SPEC. 05-77-7516 SHEET: 73 OF 101 EFD NO.: 44454

